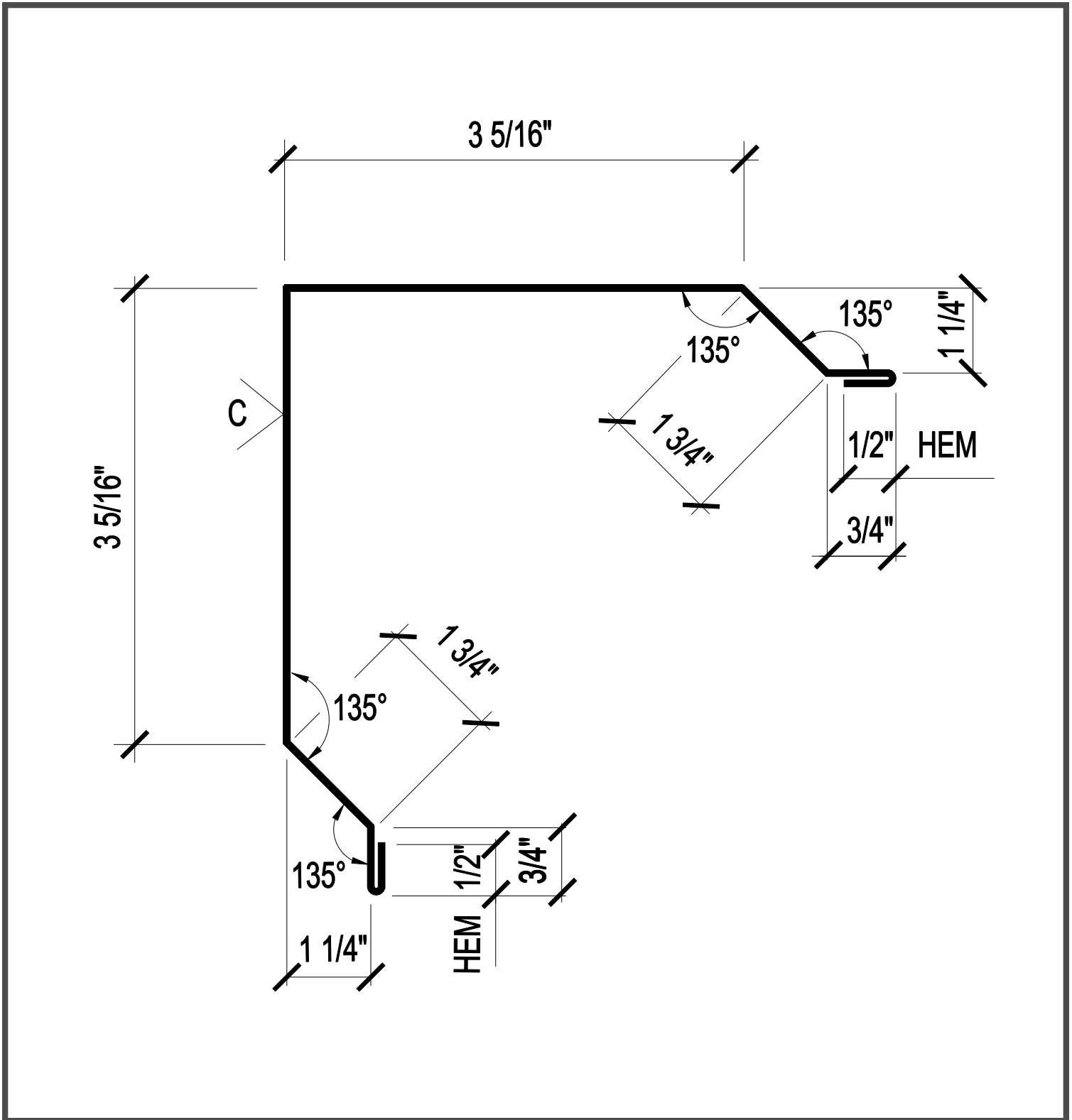


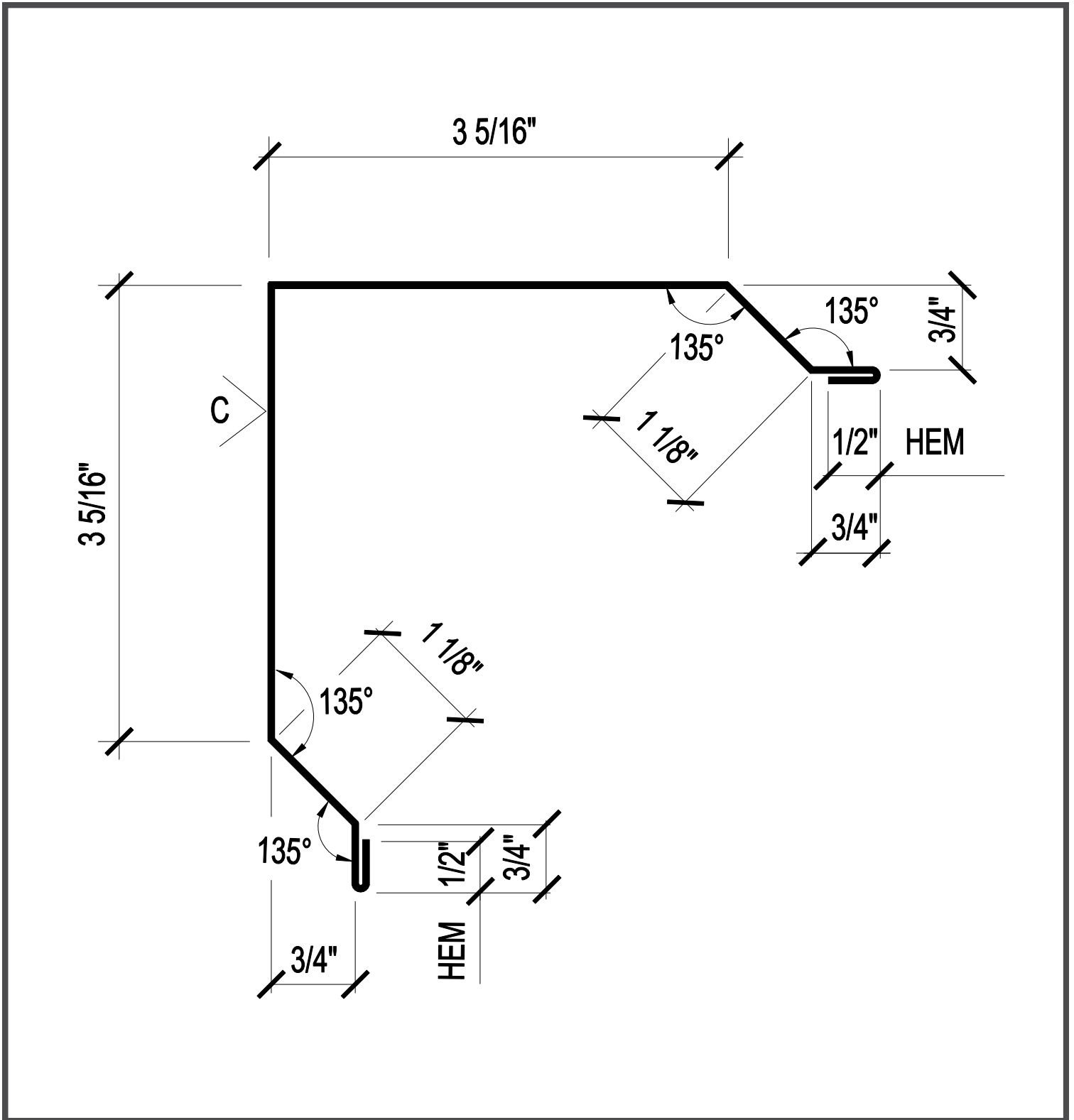
FL-10

CORNER TRIM
("PBR", "A" PANEL)



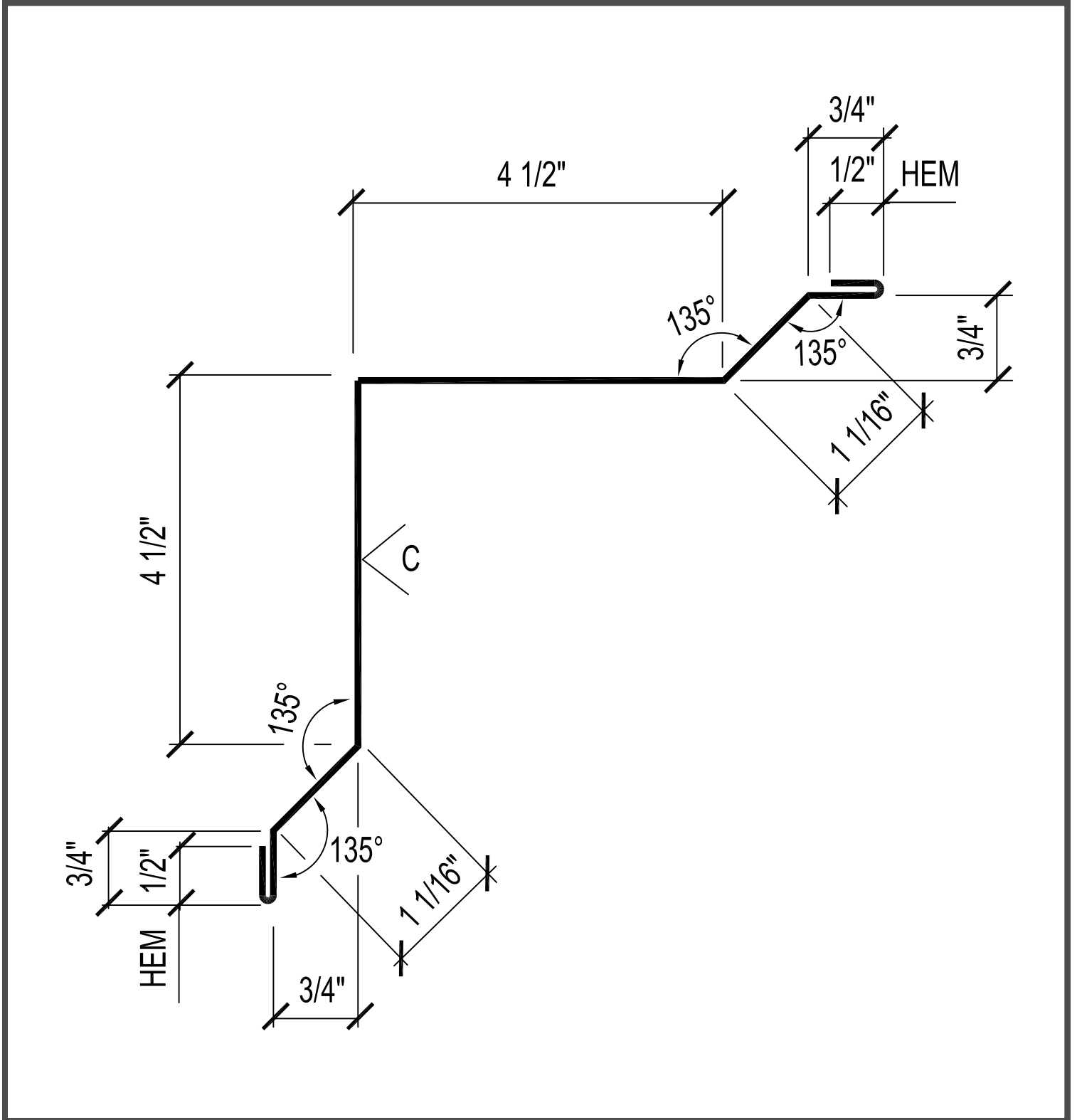
FL-11

CORNER TRIM
("PBU" PANEL)



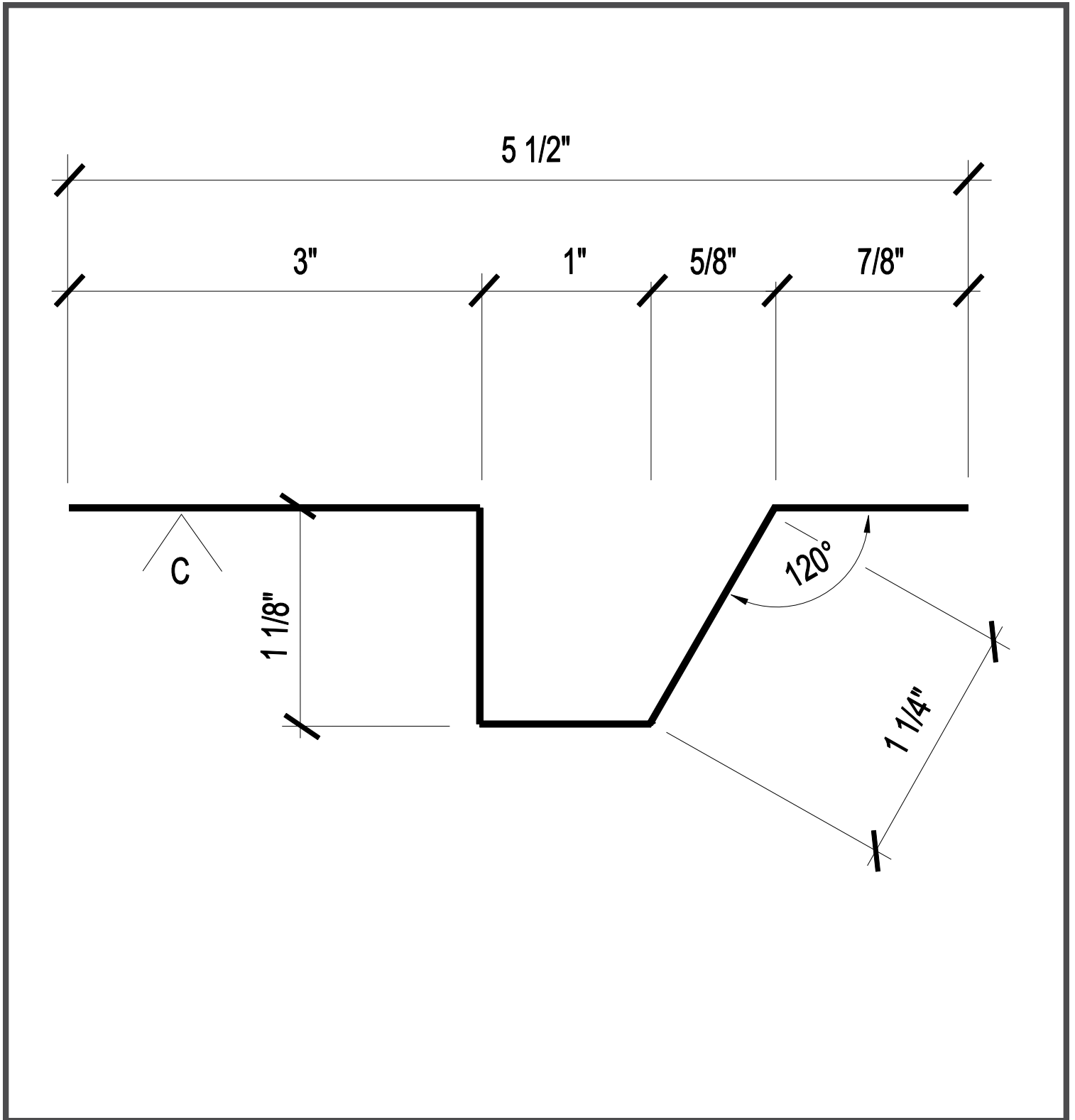
FL-13

INSIDE CORNER
("PBU" PANEL)



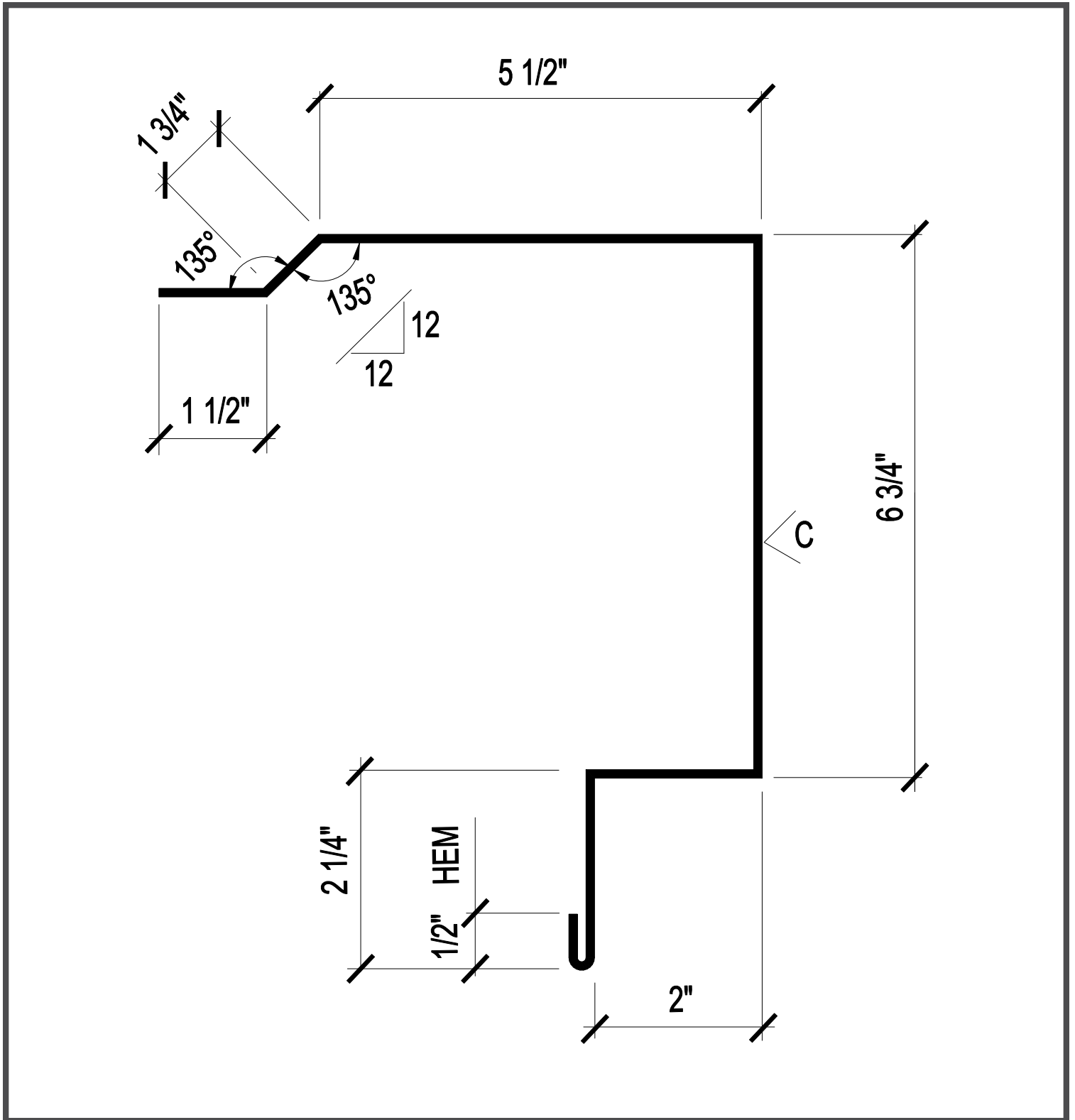
FL-14

STARTER TRIM
(A PANEL)



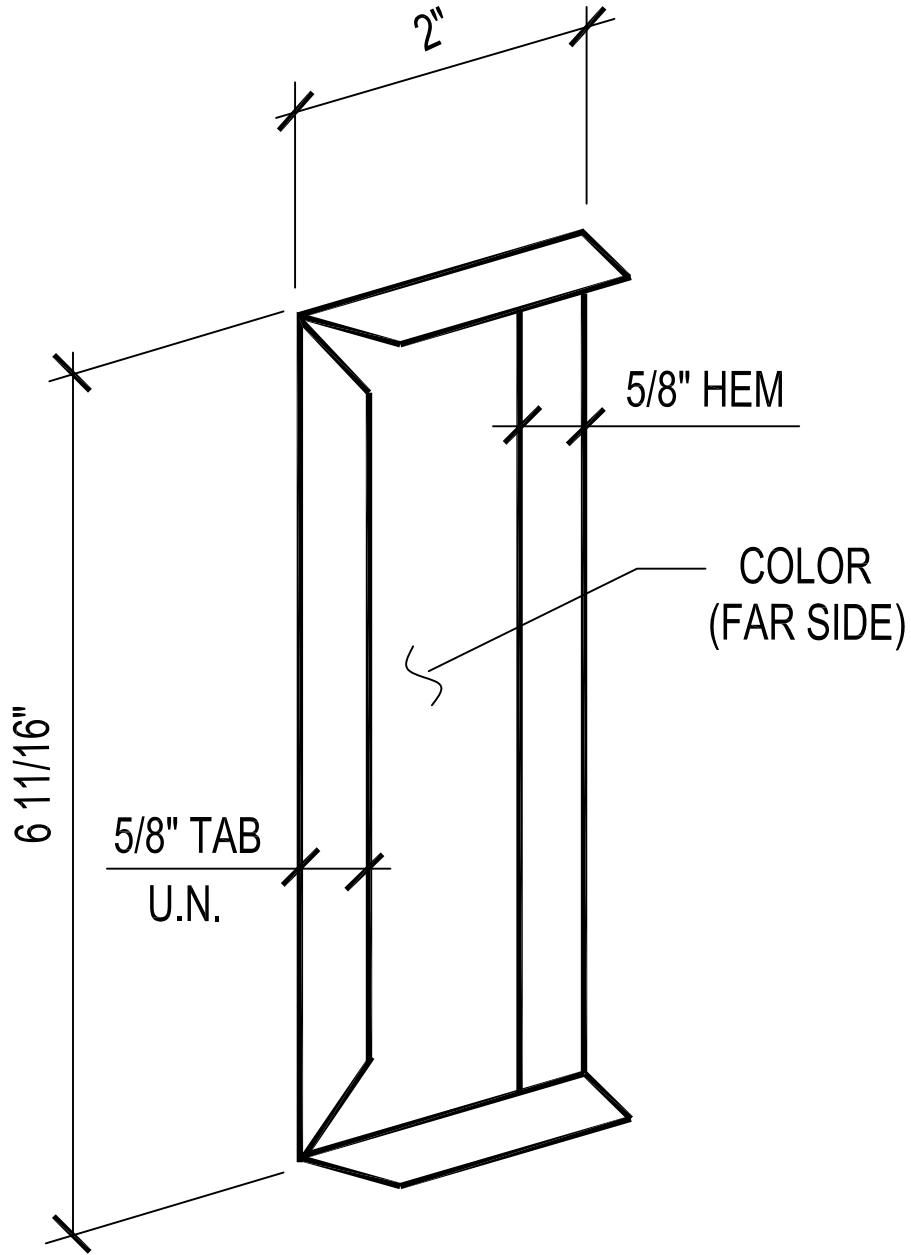
FL-15

BOX RAKE
"PBR" PANEL



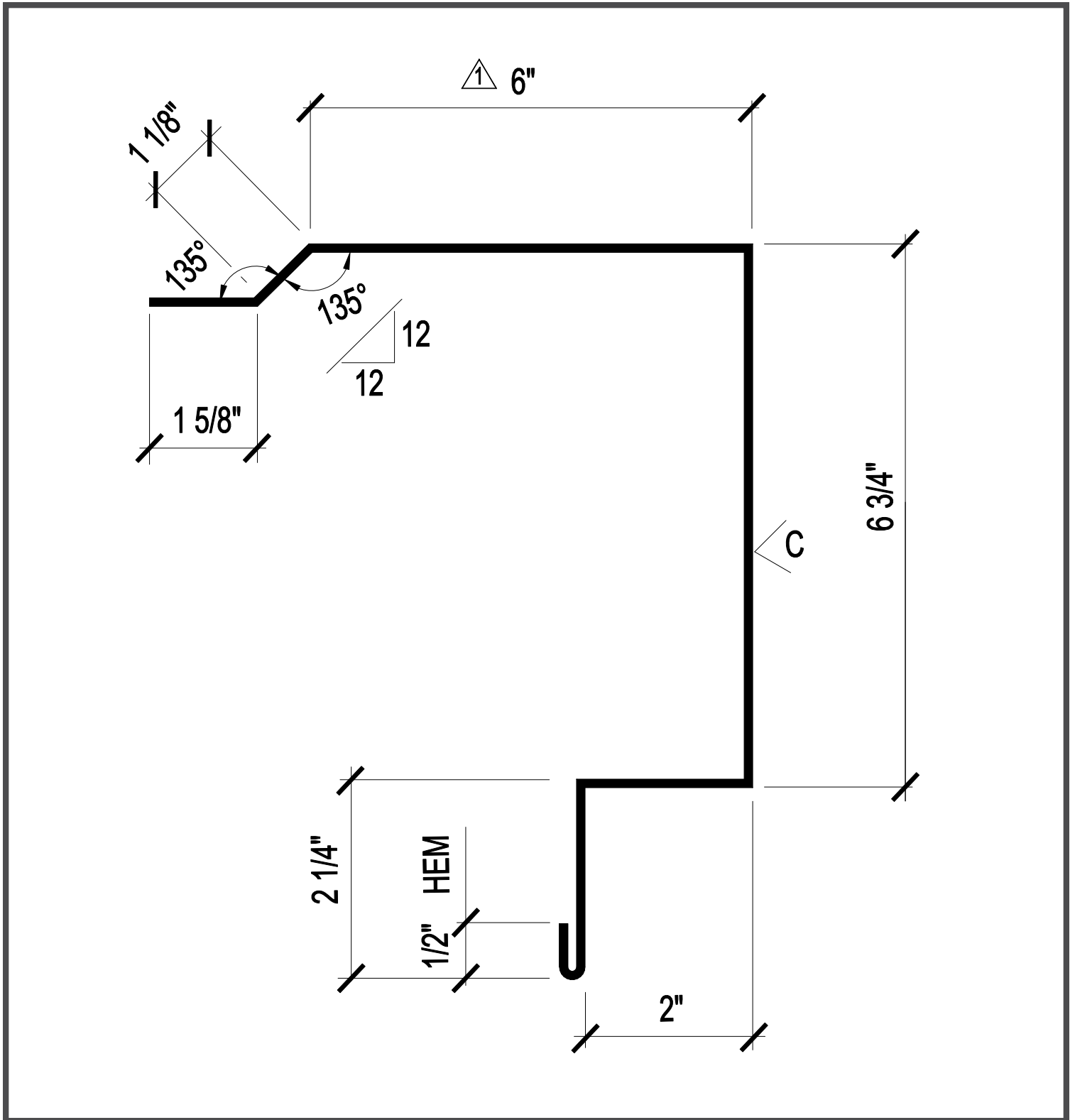
FL-16

END CAP
("PBR" & "PBU" PANEL)



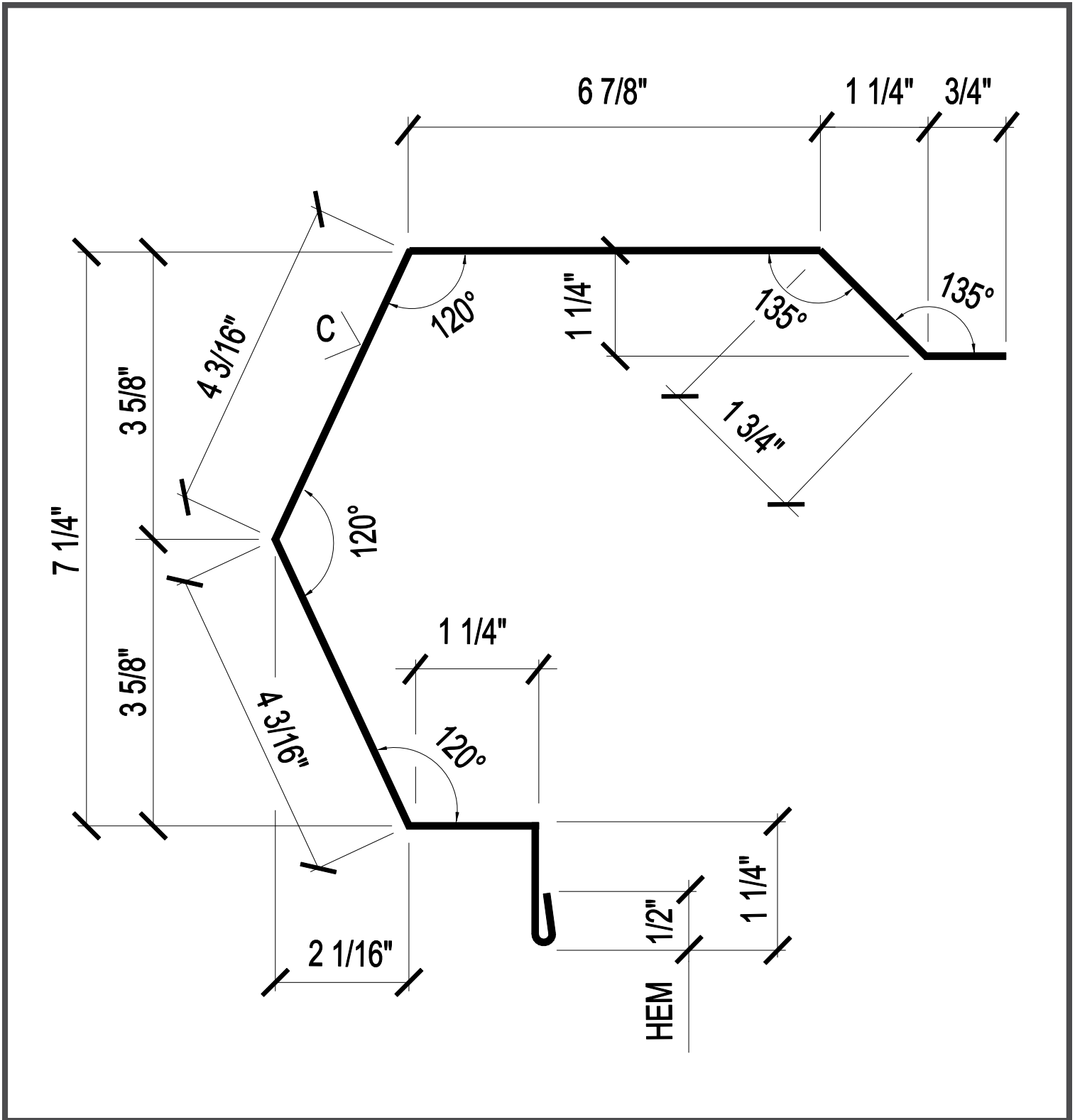
FL-18

BOX RAKE
"PBU" PANEL



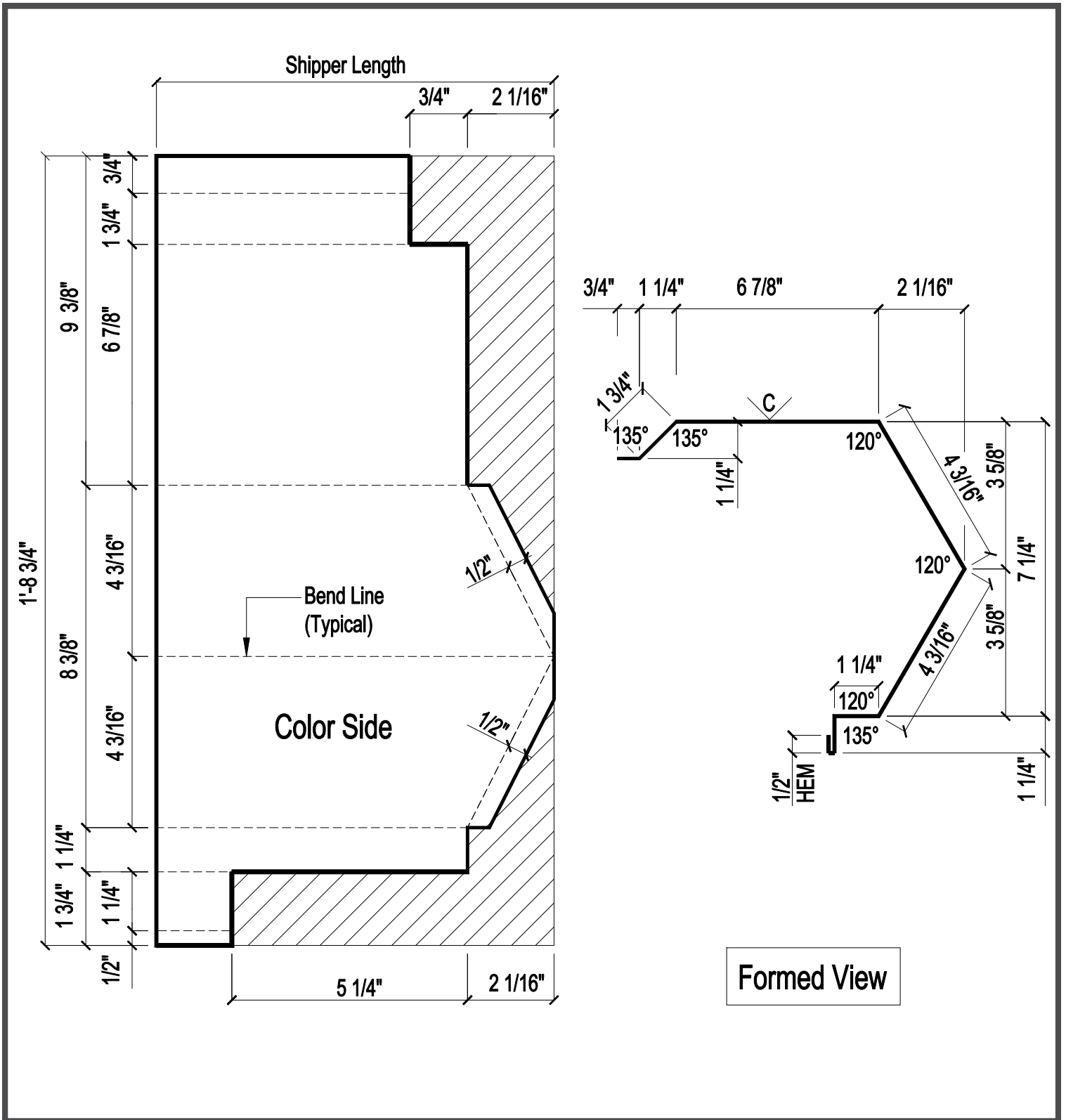
FL-21

RAKE TRIM ("PBR" PANEL)



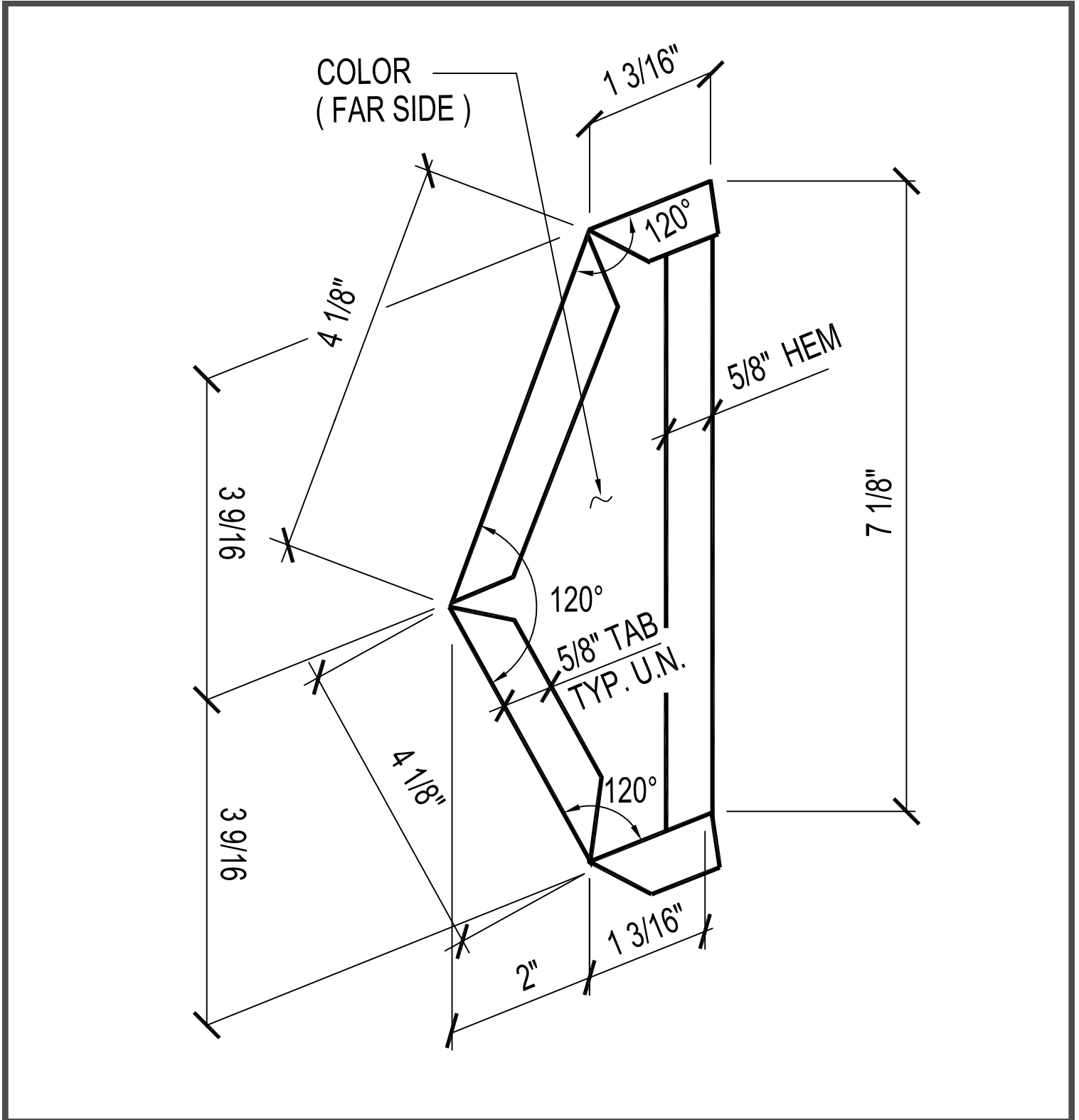
FL-21 R
FL-21 L

MITERED RAKE TRIM PBR - 5 1/4" GUTTER



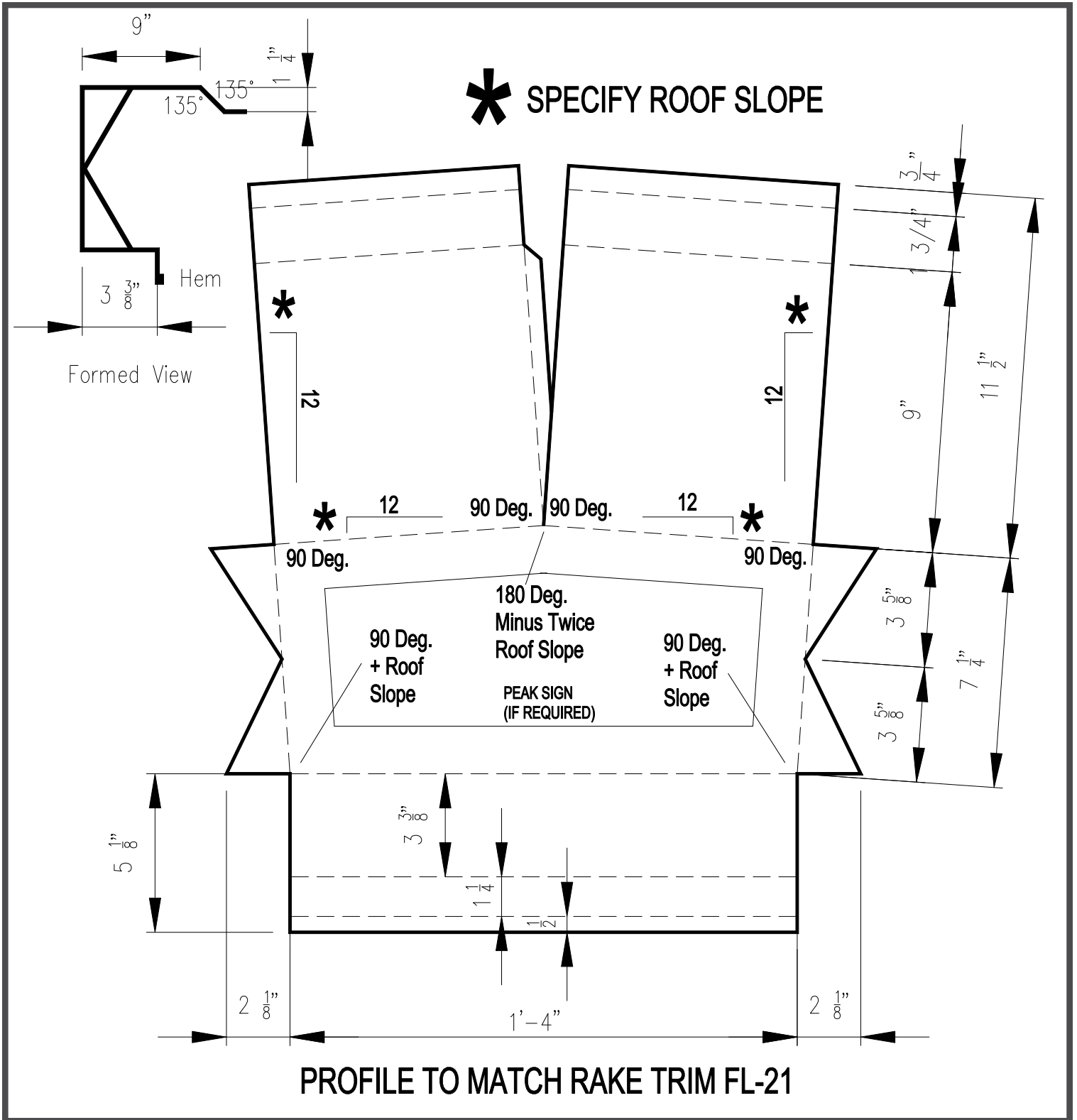
FL-22

RAKE END CAP
("PBR" & "PBU" PANEL)



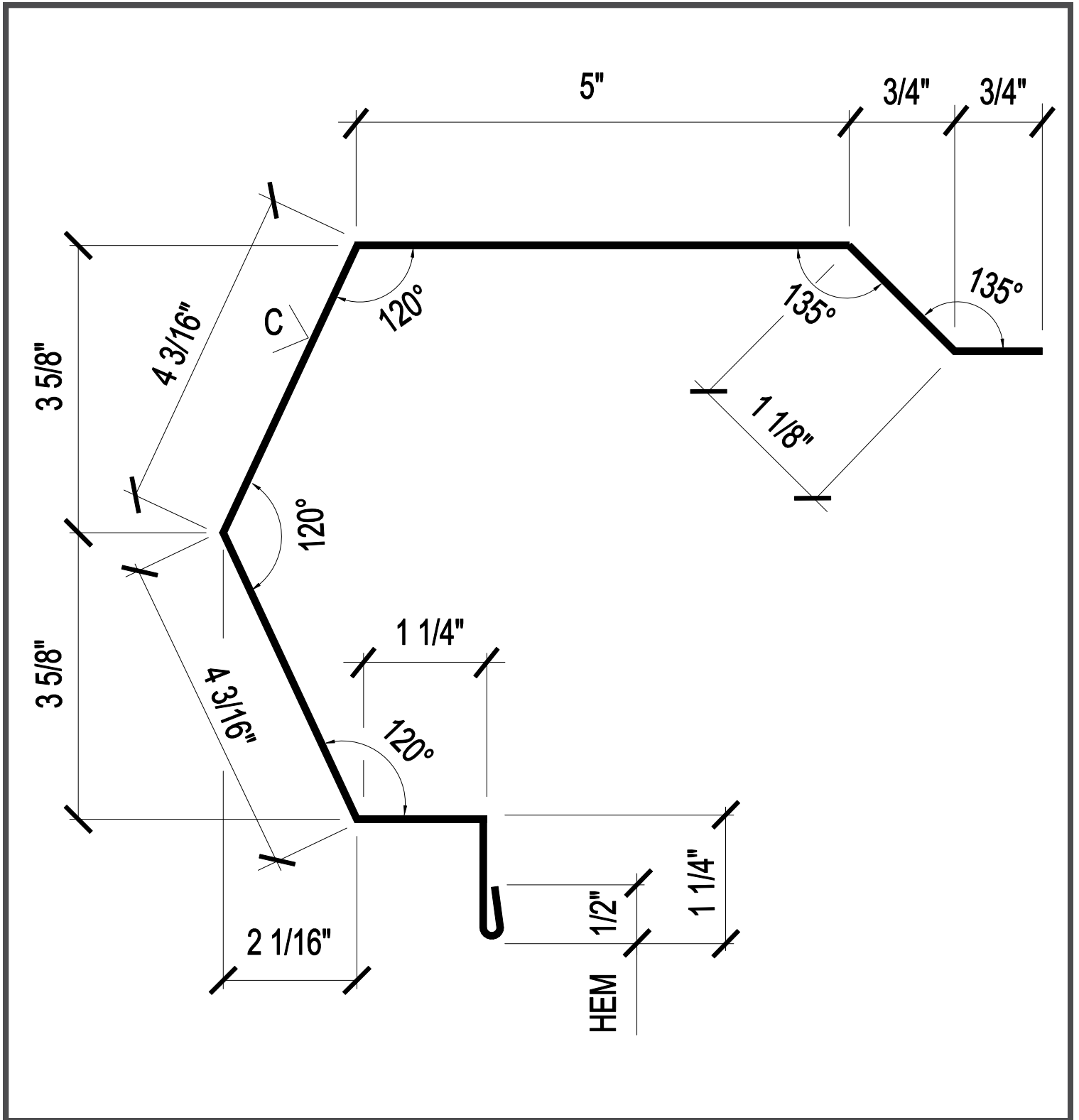
FL-23

PEAK BOX (MIDWEST) ("PBR" PANEL)



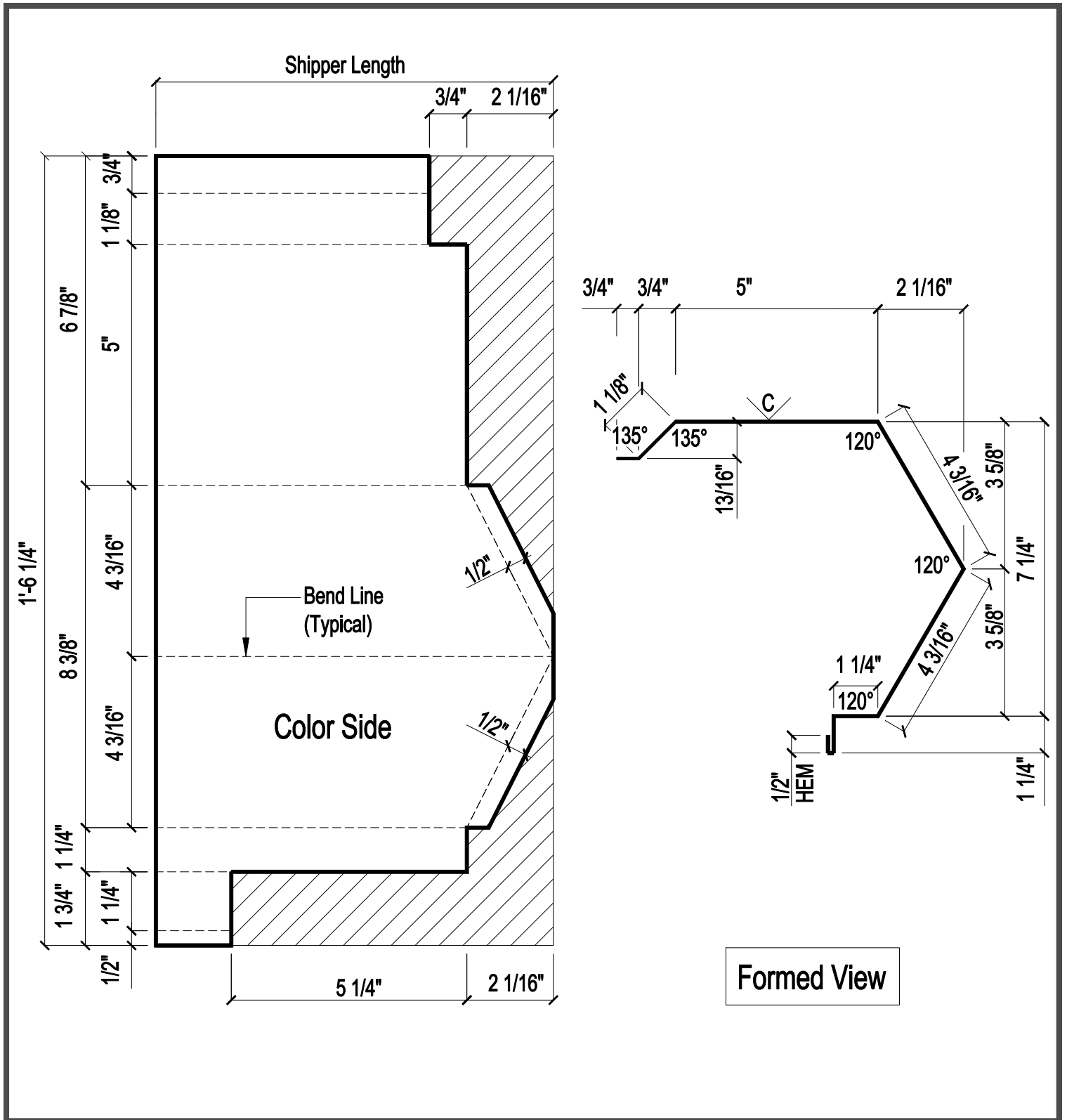
FL-24

RAKE TRIM
("PBU" PANEL)



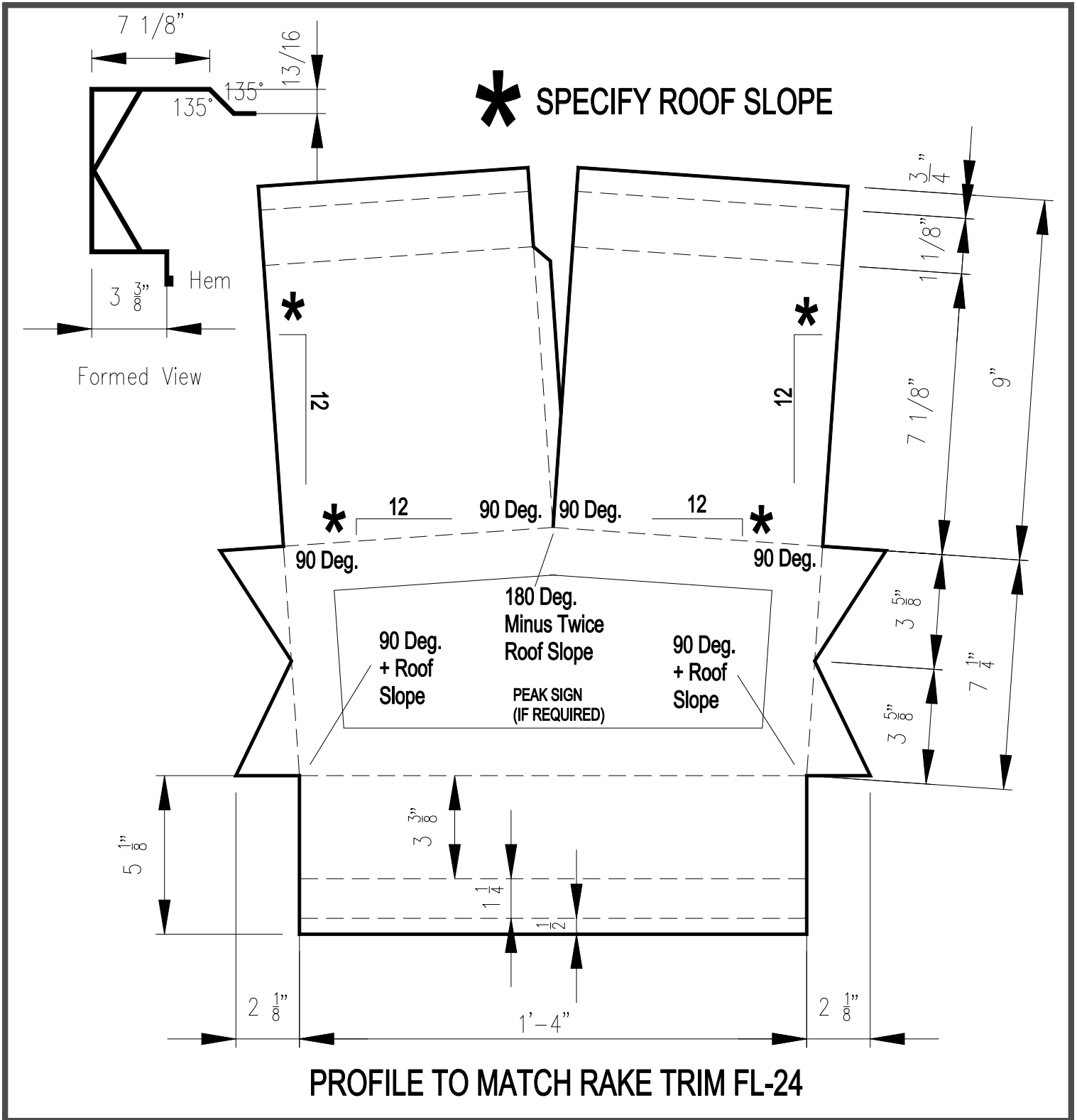
FL-24 R
 FL-24 L

MITERED RAKE TRIM
 ("PBU" PANEL)



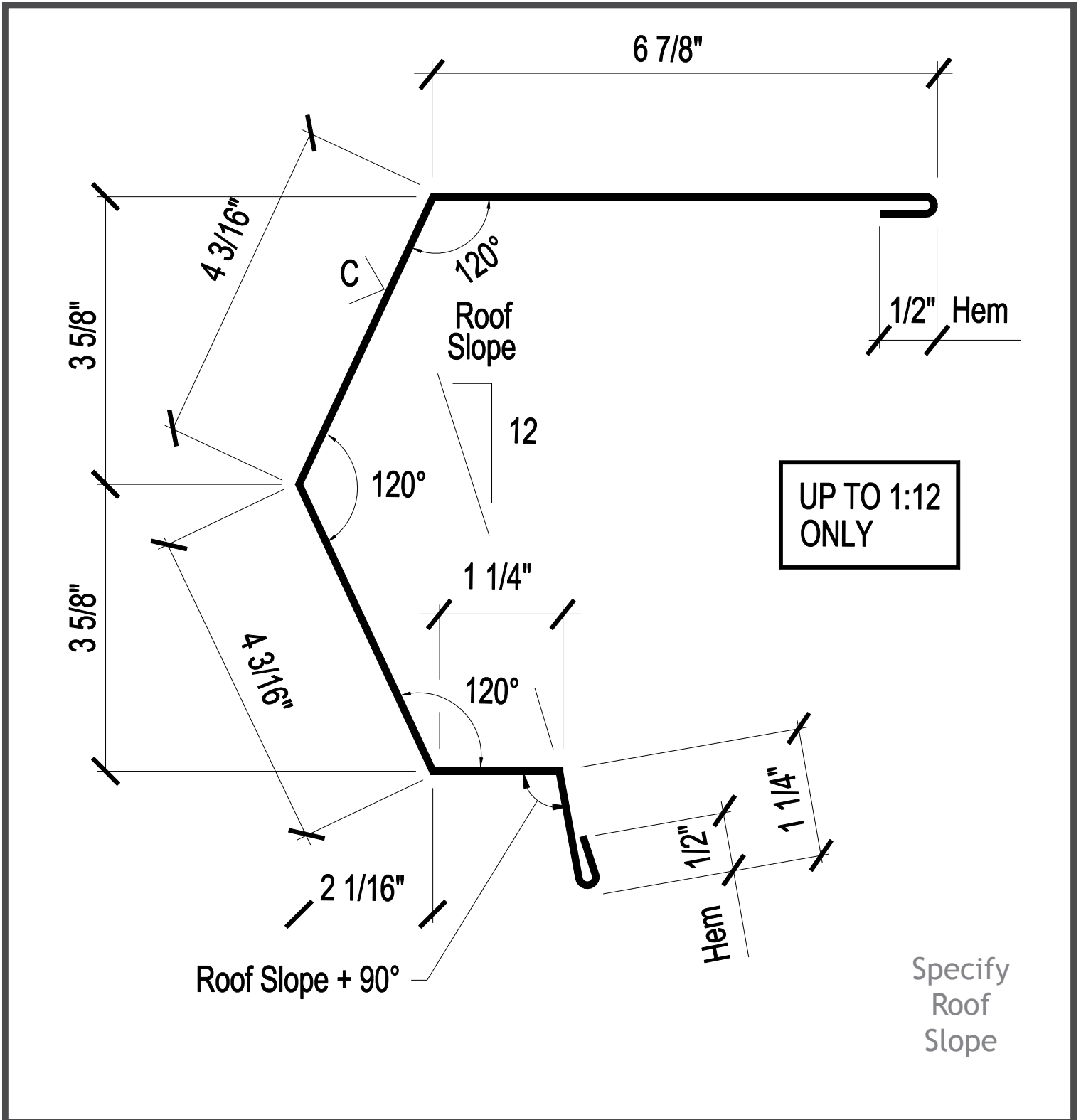
FL-26

PEAK BOX (MIDWEST)
("PBU" PANEL)



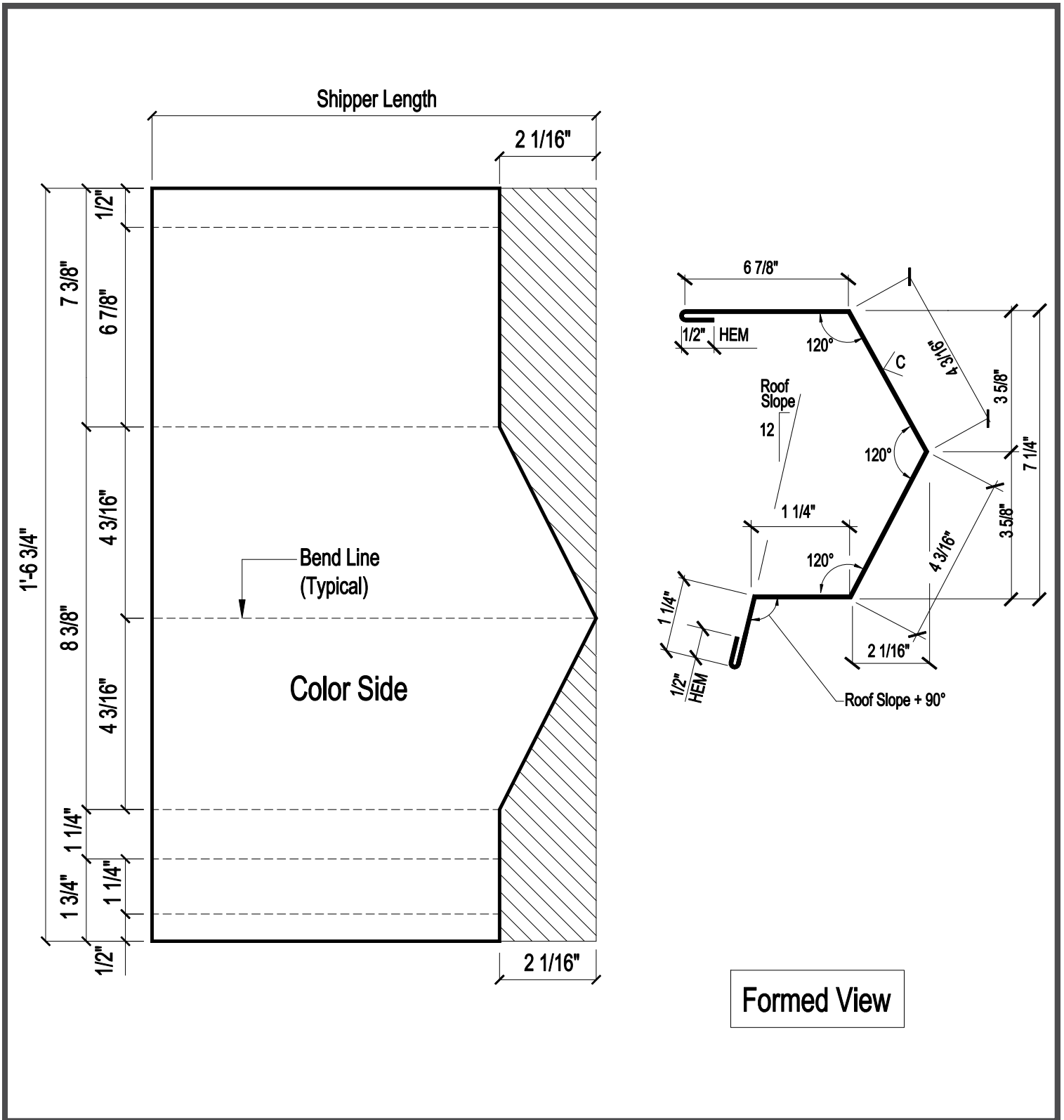
FL-27

HIGH SIDE EAVE TRIM ("PBR" PANEL)



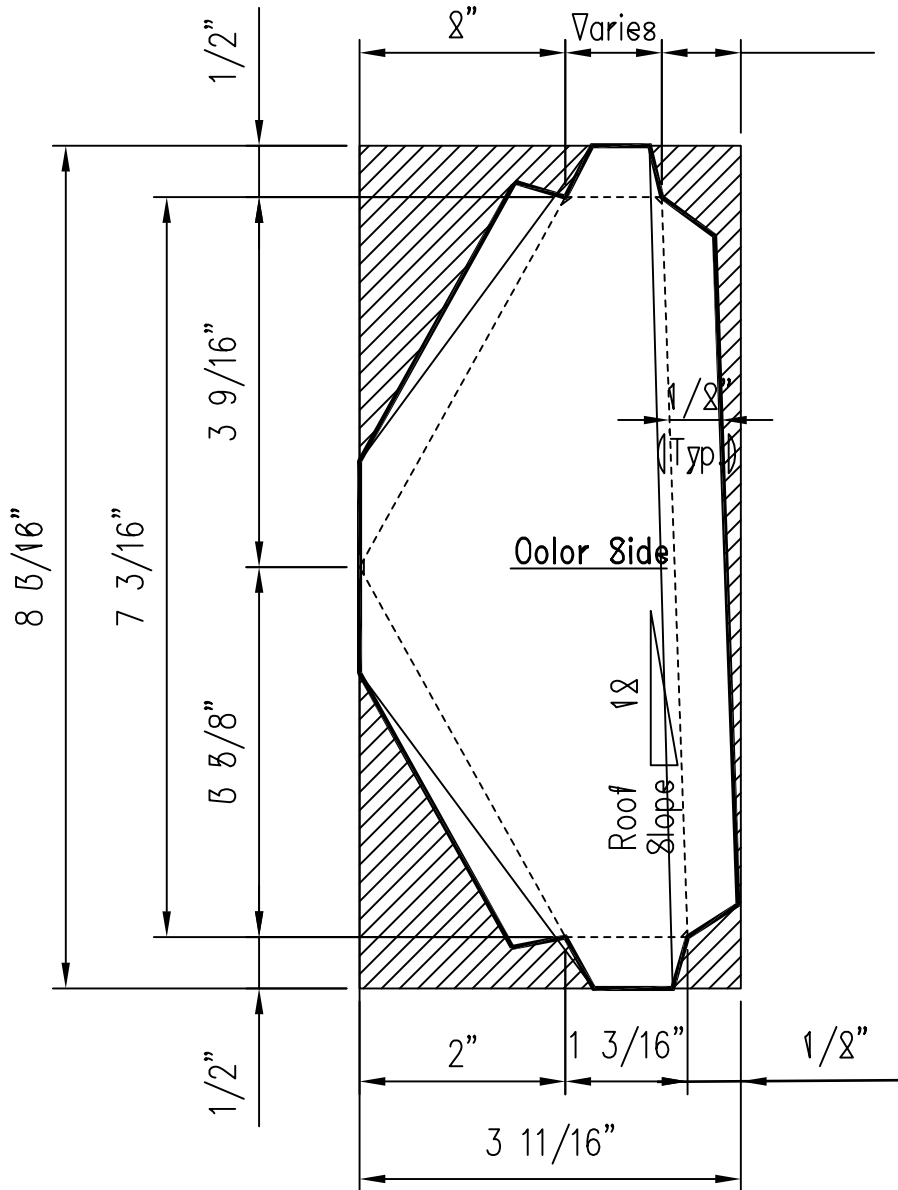
FL-27 R
FL-27 L

HIGH SIDE EAVE TRIM ("PBR" PANEL)



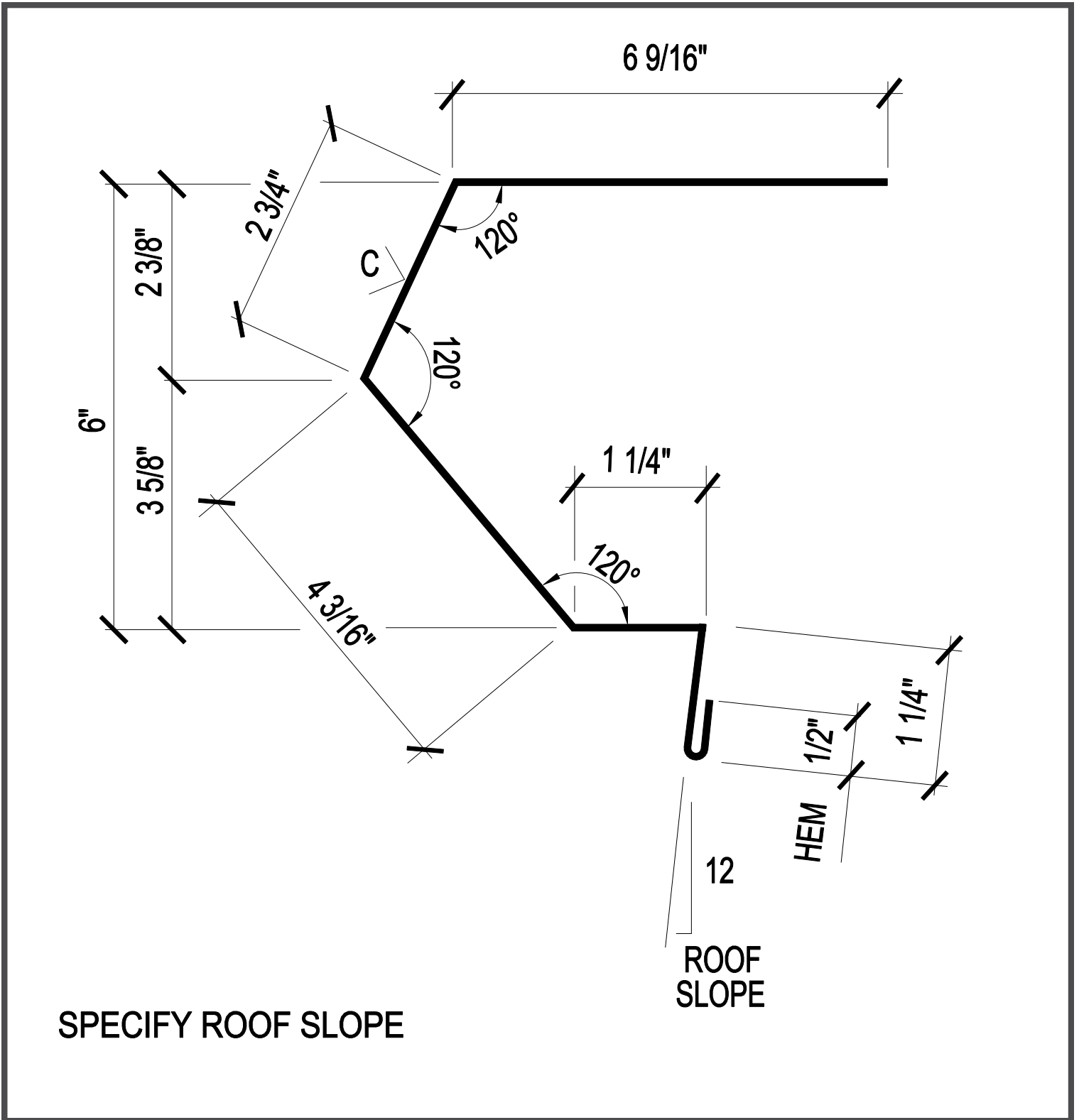
FL-28 R
FL-28 L

HIGH SIDE END CAP ("PBR" PANEL)



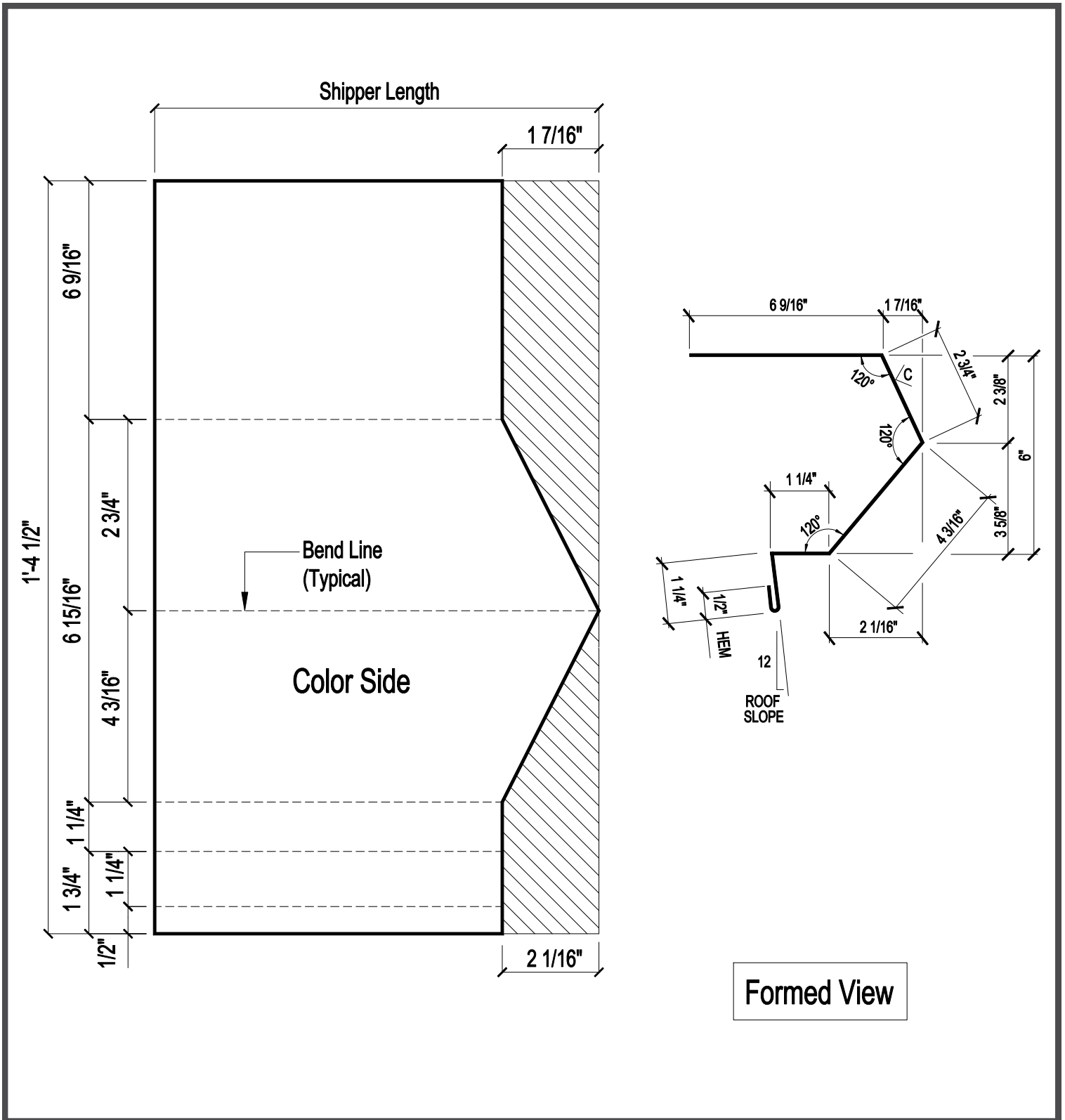
FL-29

LOW SIDE EAVE TRIM ("PBR" PANEL)



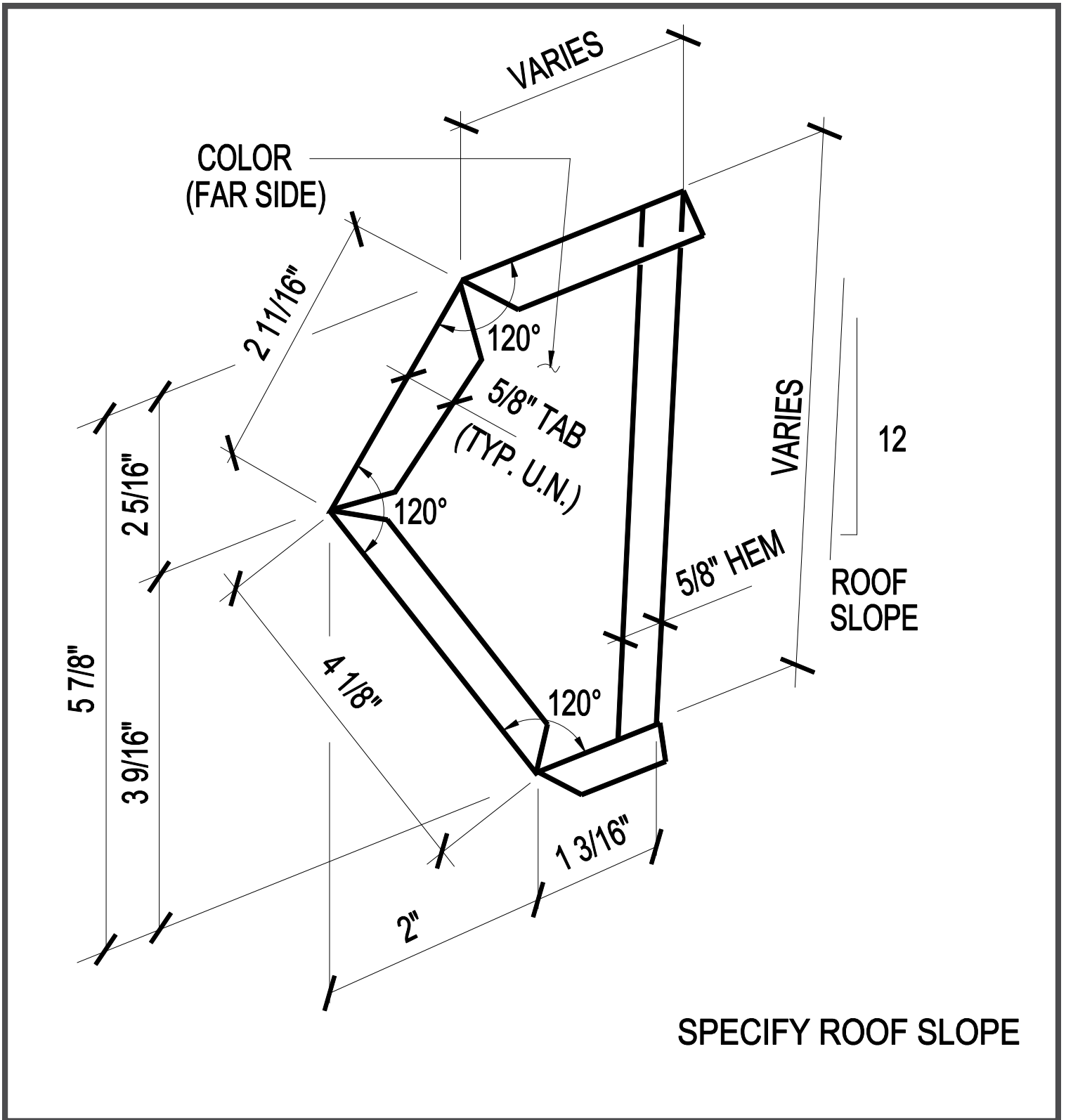
FL-29 R
FL-29 L

LOW SIDE EAVE TRIM ("PBR" PANEL)



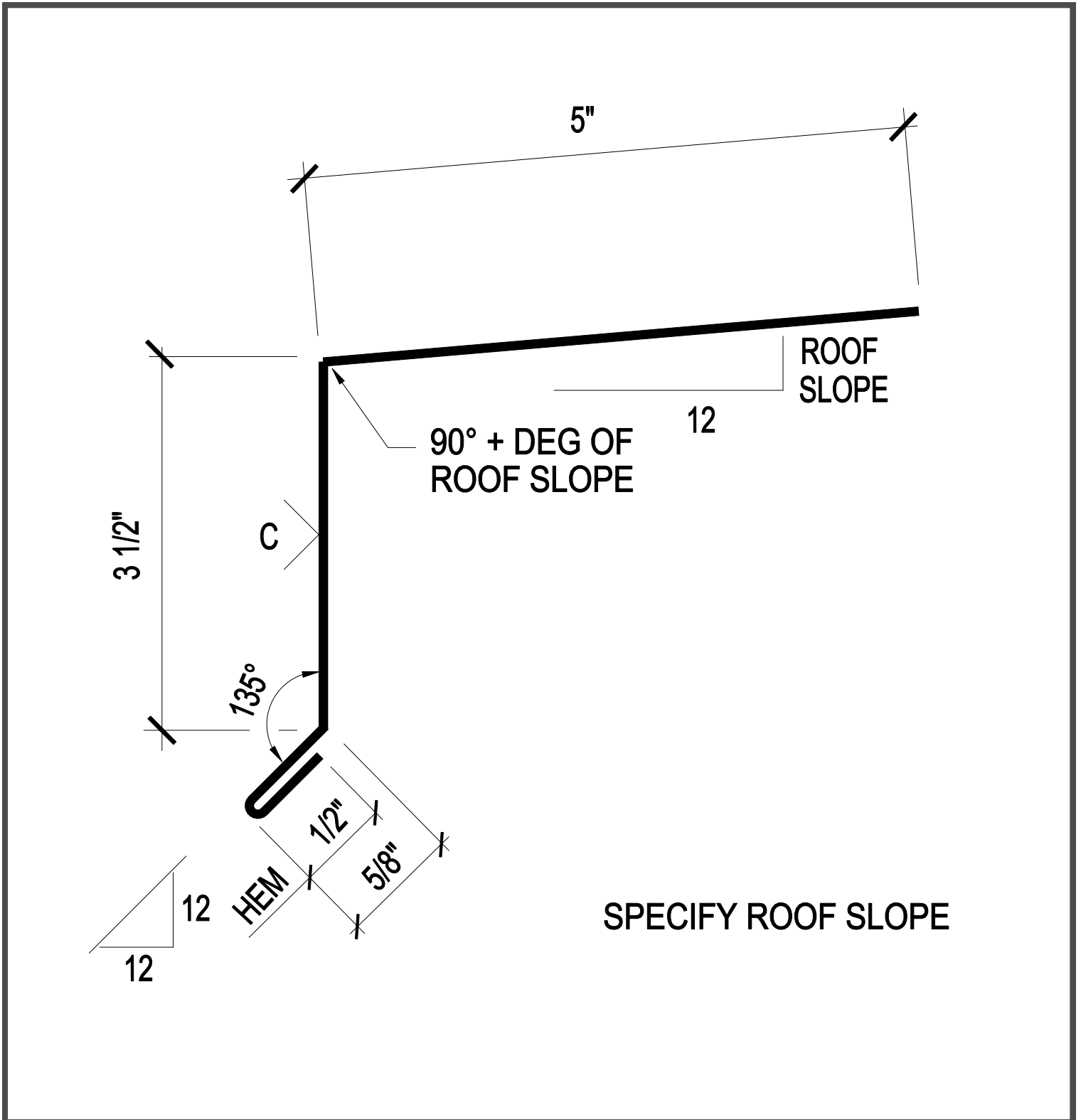
FL-30 L
FL-30 R

LOW SIDE END CAP
("PBR" PANEL)



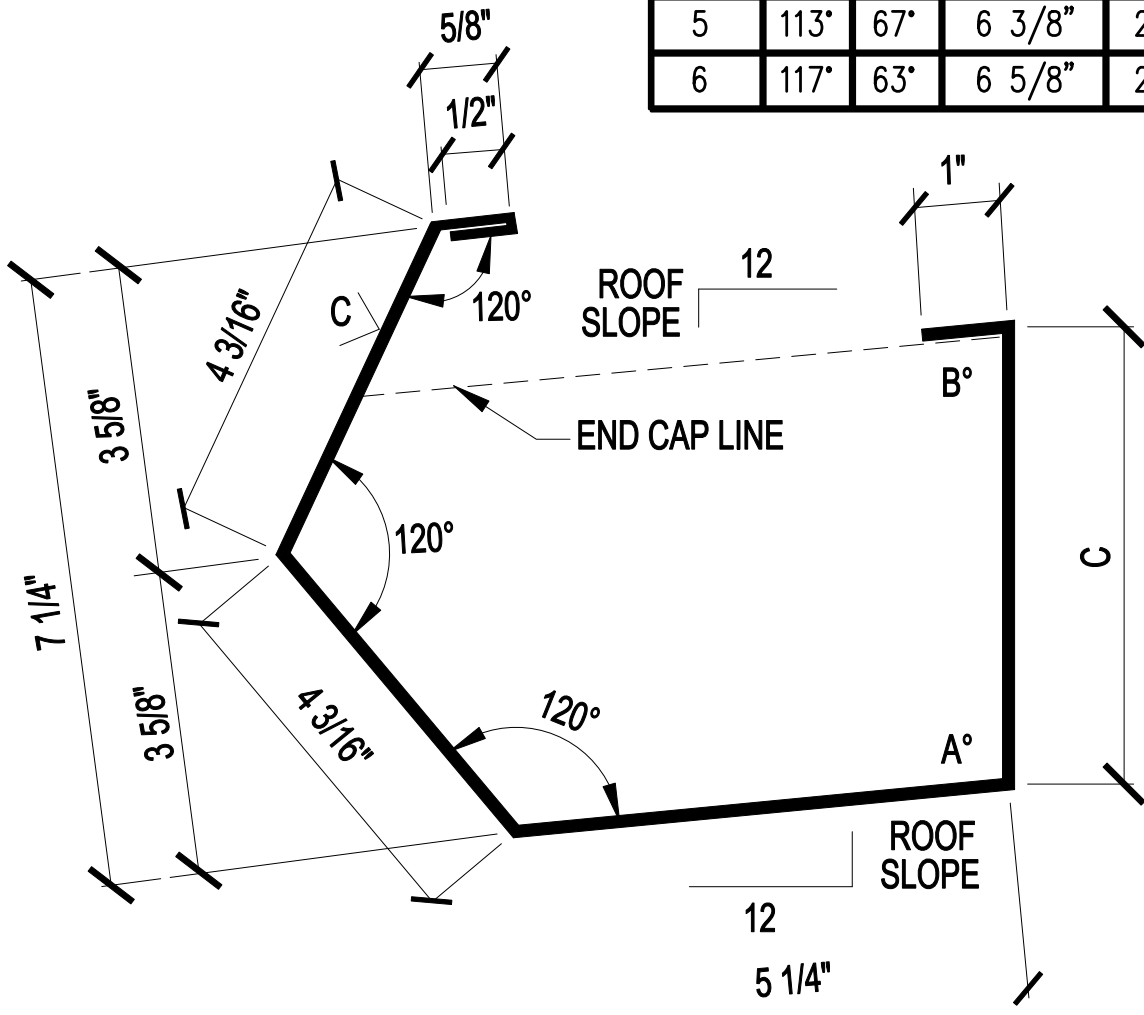
FL-31

EAVE TRIM (SIMPLE)
("PBR", "PBU" PANEL)



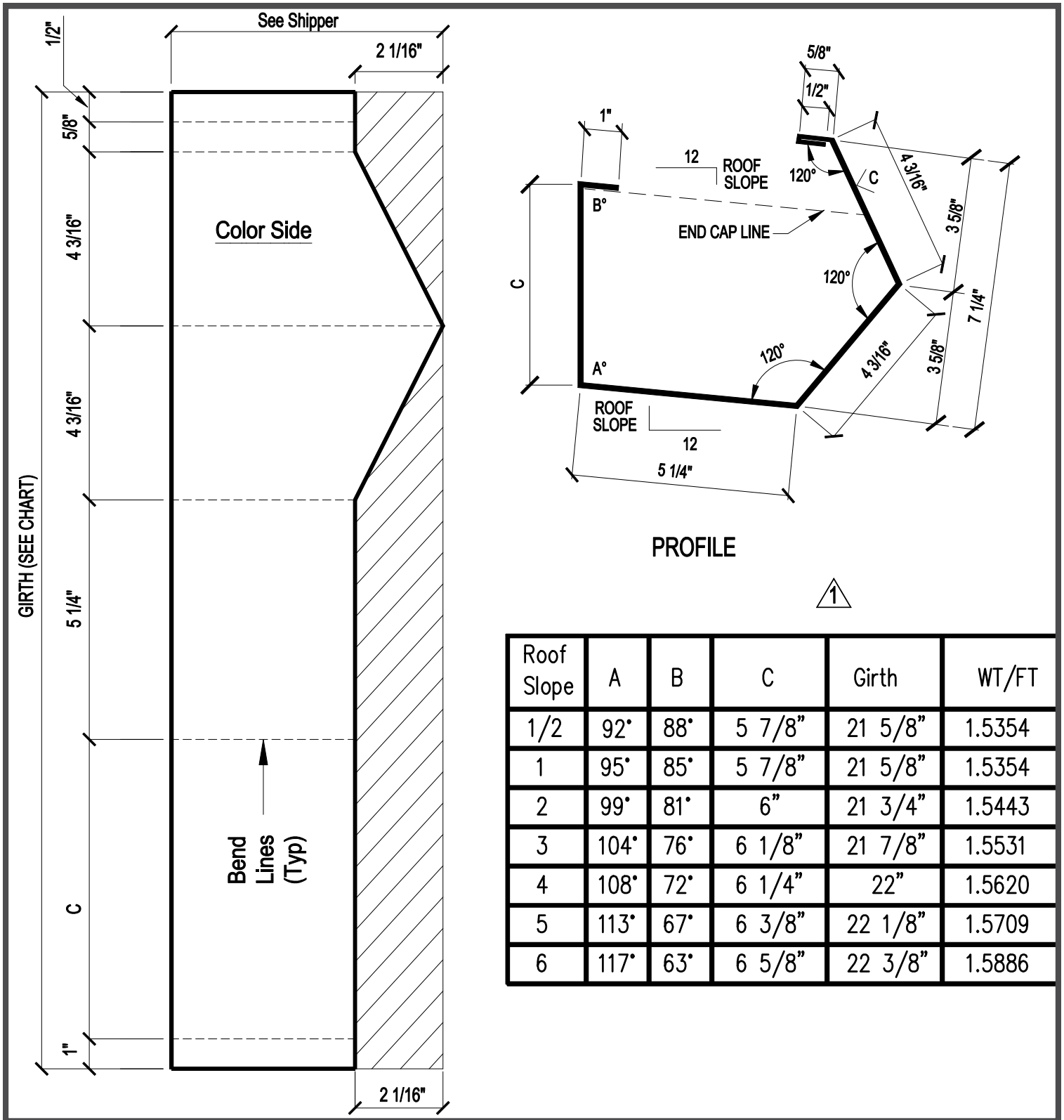
EAVE GUTTER
("PBR" PANEL)

Roof Slope	A	B	C	Girth	WT/FT
1/2	92°	88°	5 7/8"	21 5/8"	1.5354
1	95°	85°	5 7/8"	21 5/8"	1.5354
2	99°	81°	6"	21 3/4"	1.5443
3	104°	76°	6 1/8"	21 7/8"	1.5531
4	108°	72°	6 1/4"	22"	1.5620
5	113°	67°	6 3/8"	22 1/8"	1.5709
6	117°	63°	6 5/8"	22 3/8"	1.5886



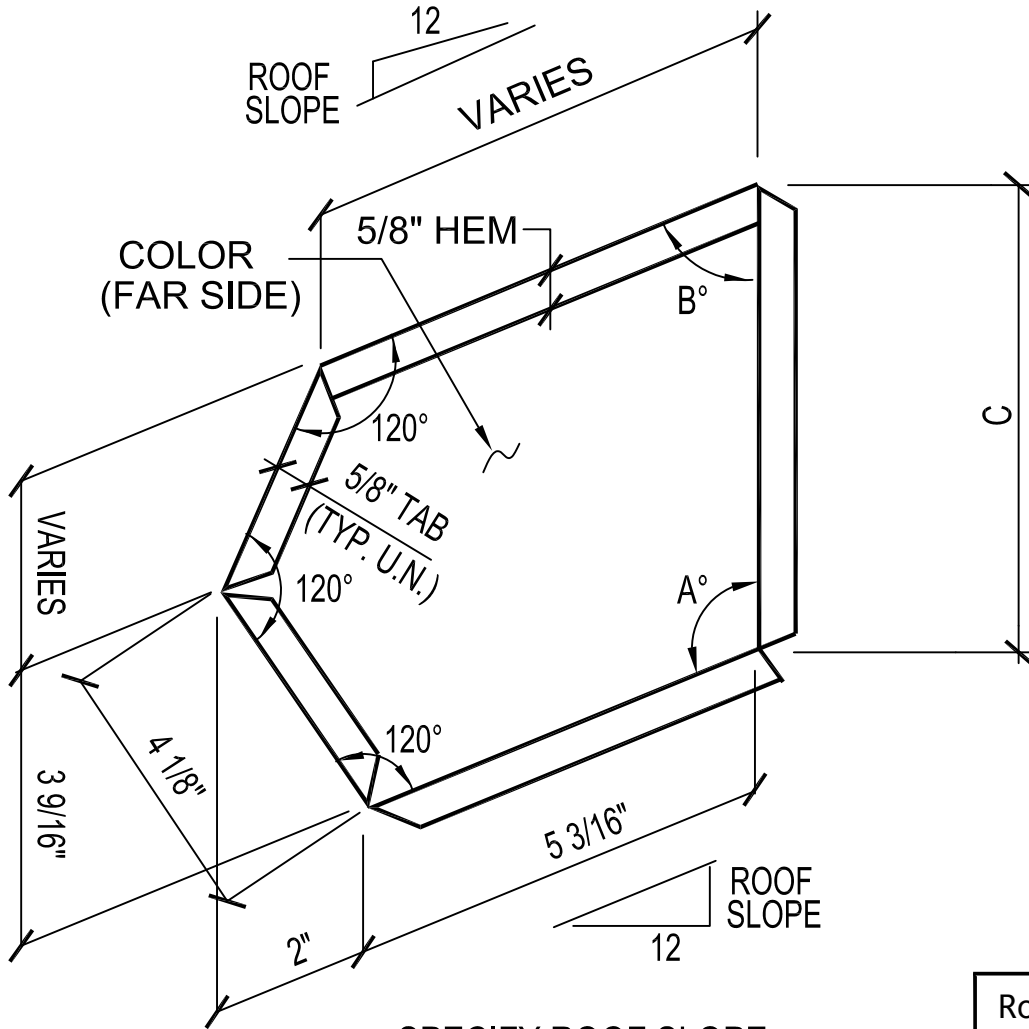
FL-32 R
FL-32 L

EAVE GUTTER ("PBR" PANEL)



FL-33 L
FL-33 R

GUTTER END CAP ("PBR" PANEL)



SPECIFY ROOF SLOPE



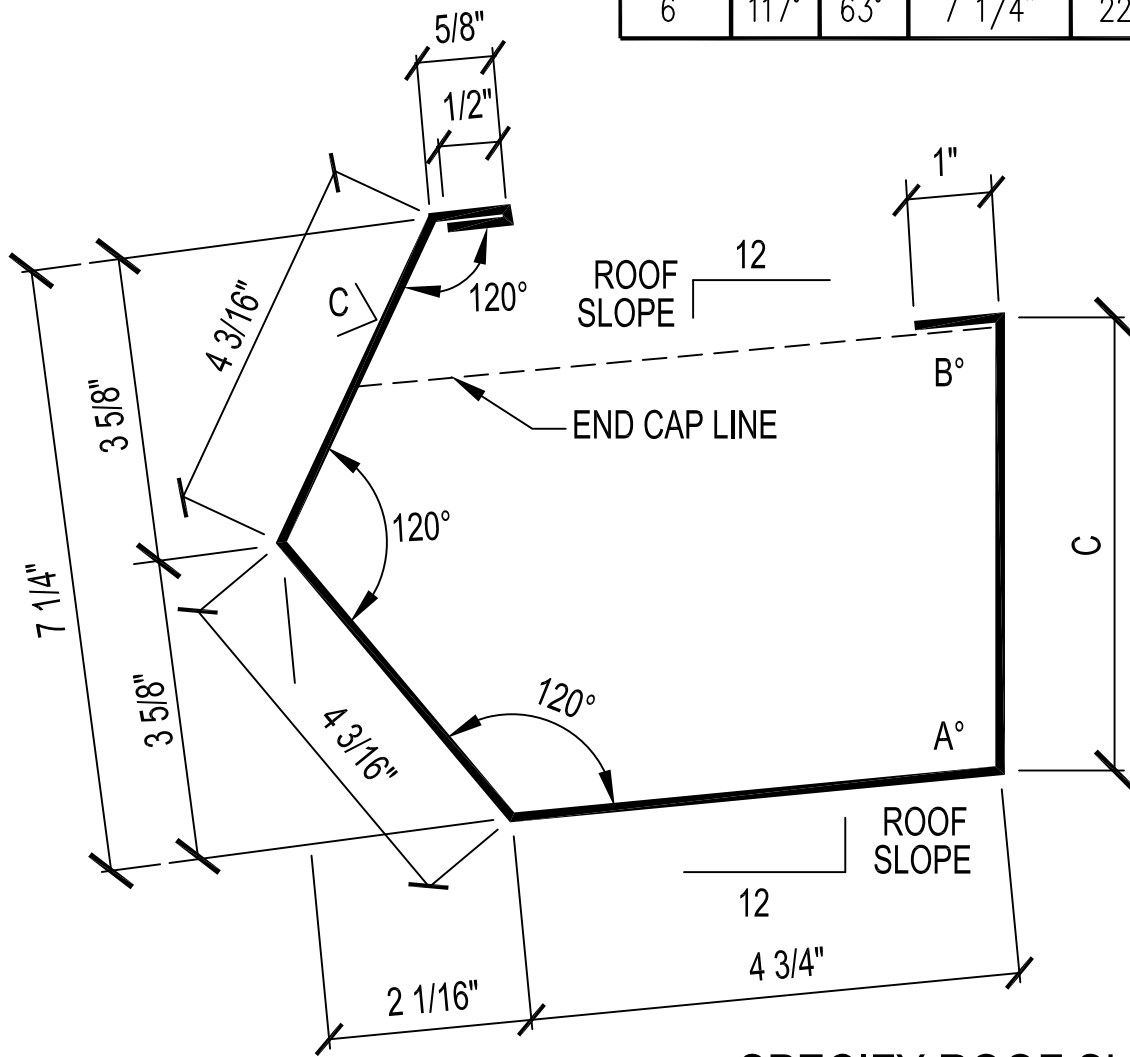
Roof Slope	A	B	C
1/2	92°	88°	5 13/16"
1	95°	85°	5 13/16"
2	99°	81°	5 15/16"
3	104°	76°	6 1/16"
4	108°	72°	6 3/16"
5	113°	67°	6 5/16"
6	117°	63°	6 9/16"

FL-34

EAVE GUTTER ("PBU" PANEL)



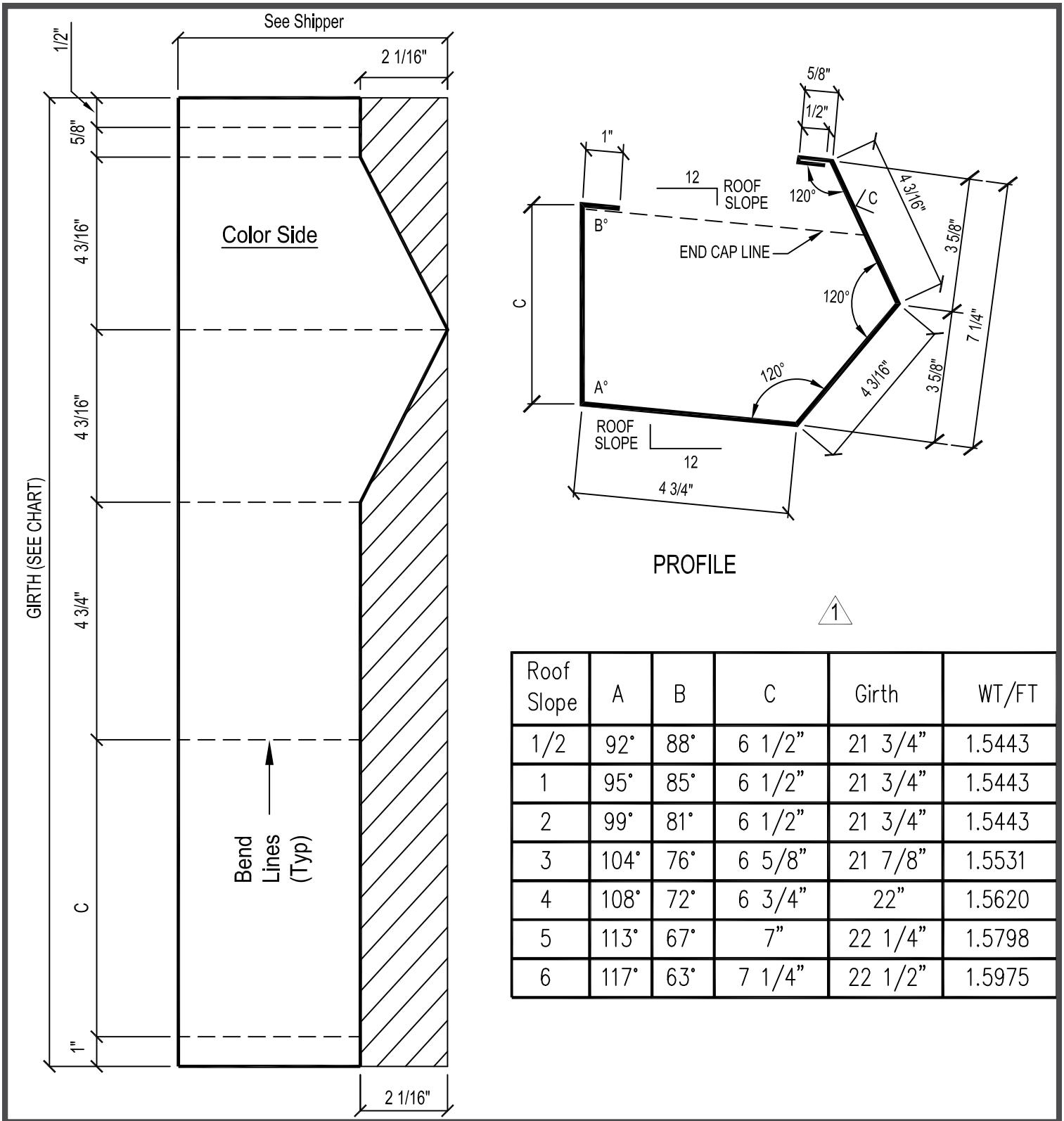
Roof Slope	A	B	C	Girth	WT/FT
1/2	92°	88°	6 1/2"	21 3/4"	
1	95°	85°		21 3/4"	
2	99°	81°		21 3/4"	1.5443
3	104°	76°	6 5/8"	21 7/8"	1.5531
4	108°	72°	6 3/4"	22"	1.5620
5	113°	67°	7"	22 1/4"	1.5798
6	117°	63°	7 1/4"	22 1/2"	1.5975



SPECIFY ROOF SLOPE

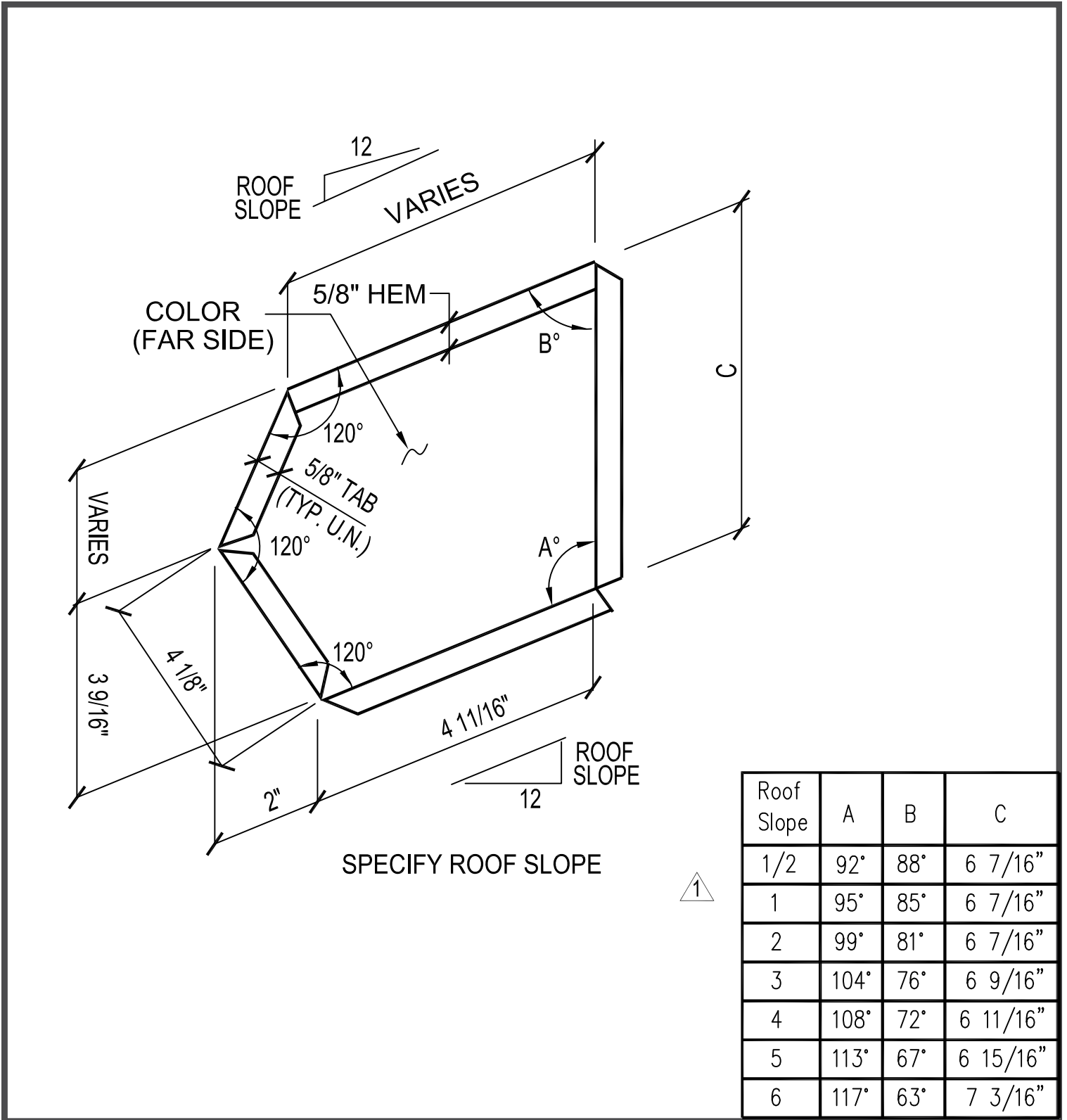
**FL-34 R
FL-34 L**

**EAVE GUTTER
("PBU" PANEL)**



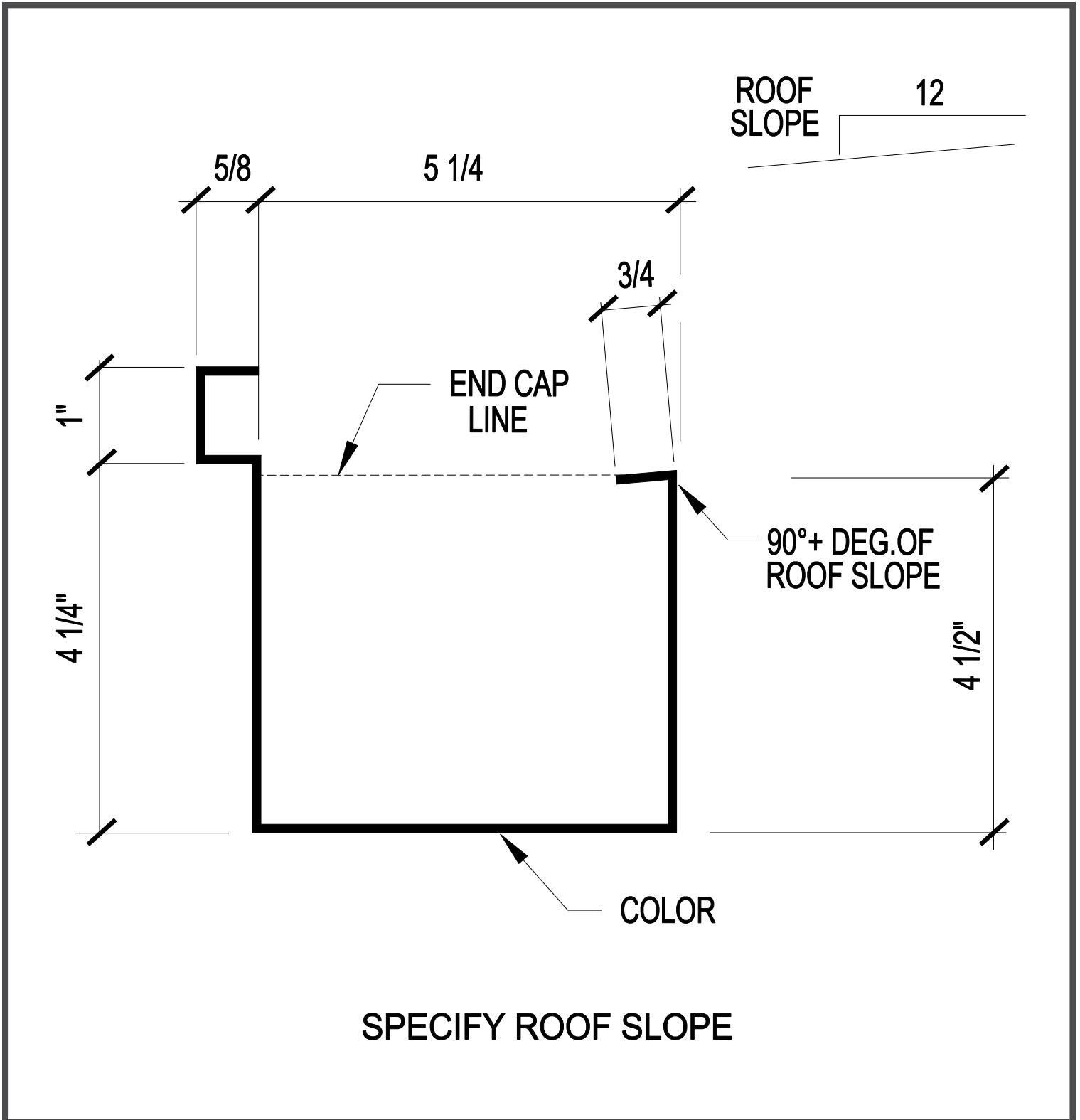
FL-35 L
FL-35 R

GUTTER END CAP
("PBU" PANEL)



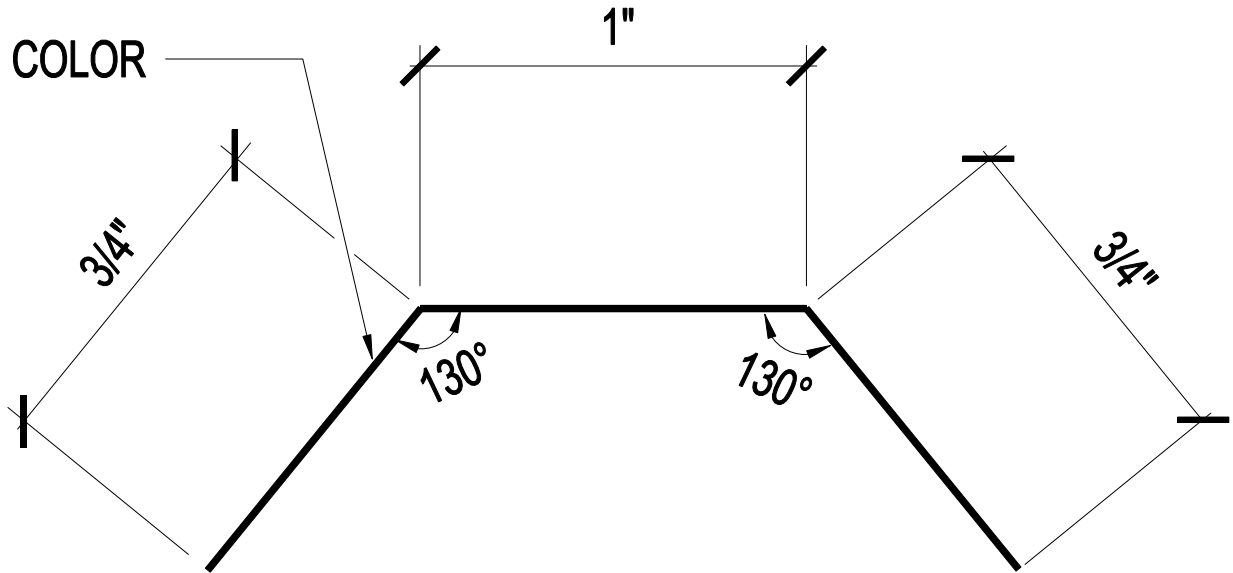
FL-36

BOX HANG ON GUTTER ("PBU" PANEL)



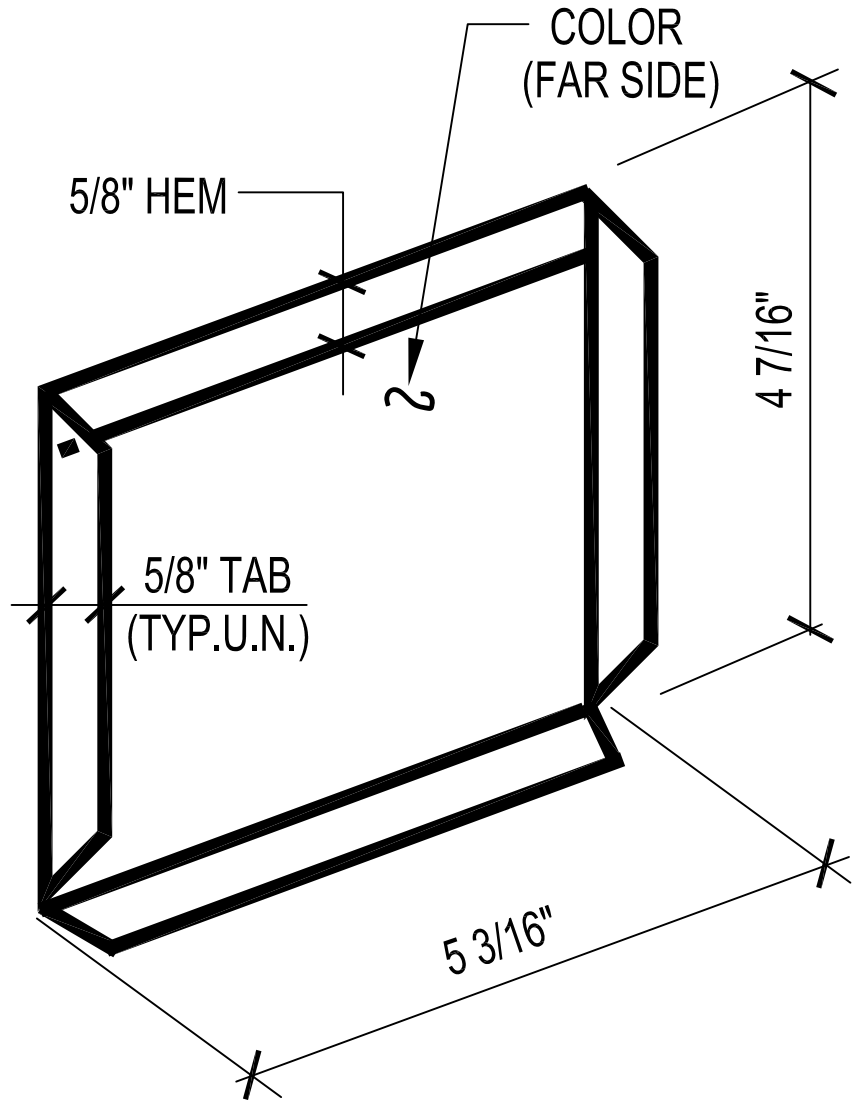
FL-38

GUTTER STRAP ("PBR" PANEL)



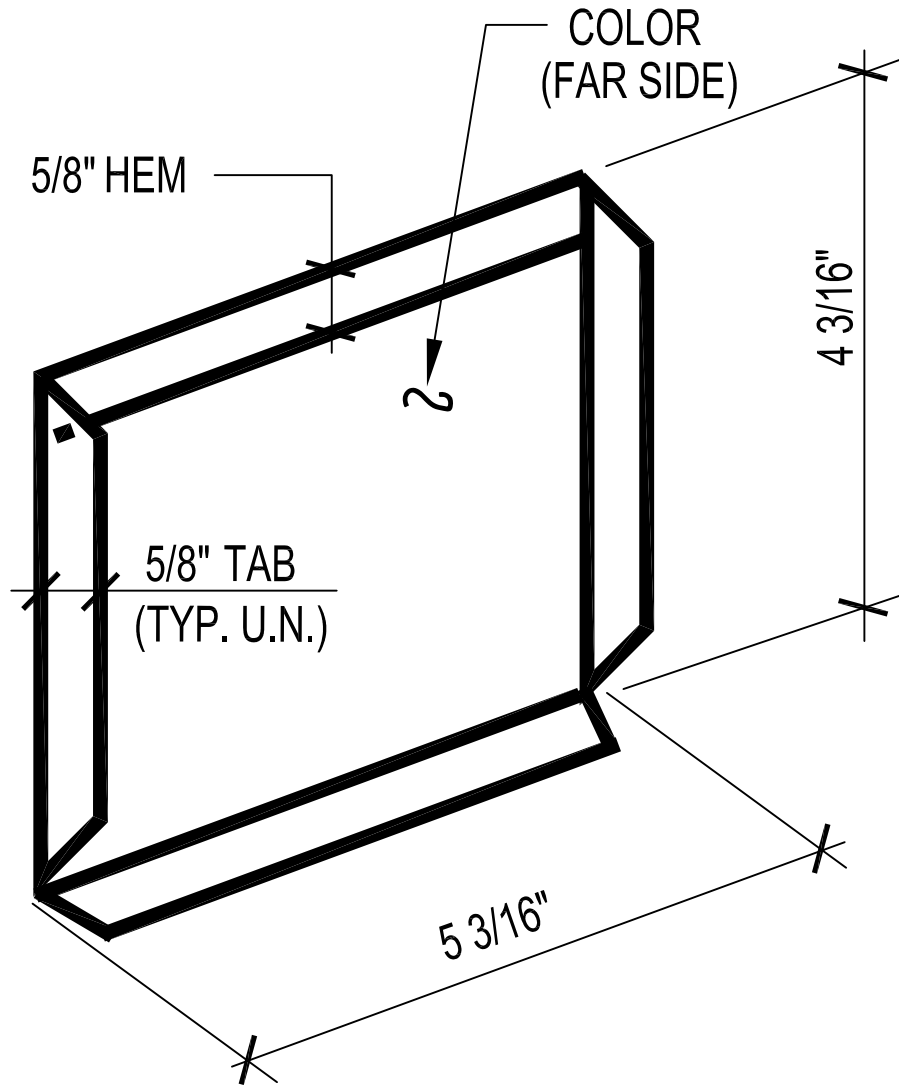
FL-39A

BOX GUTTER END CAP
("PBU" PANEL)



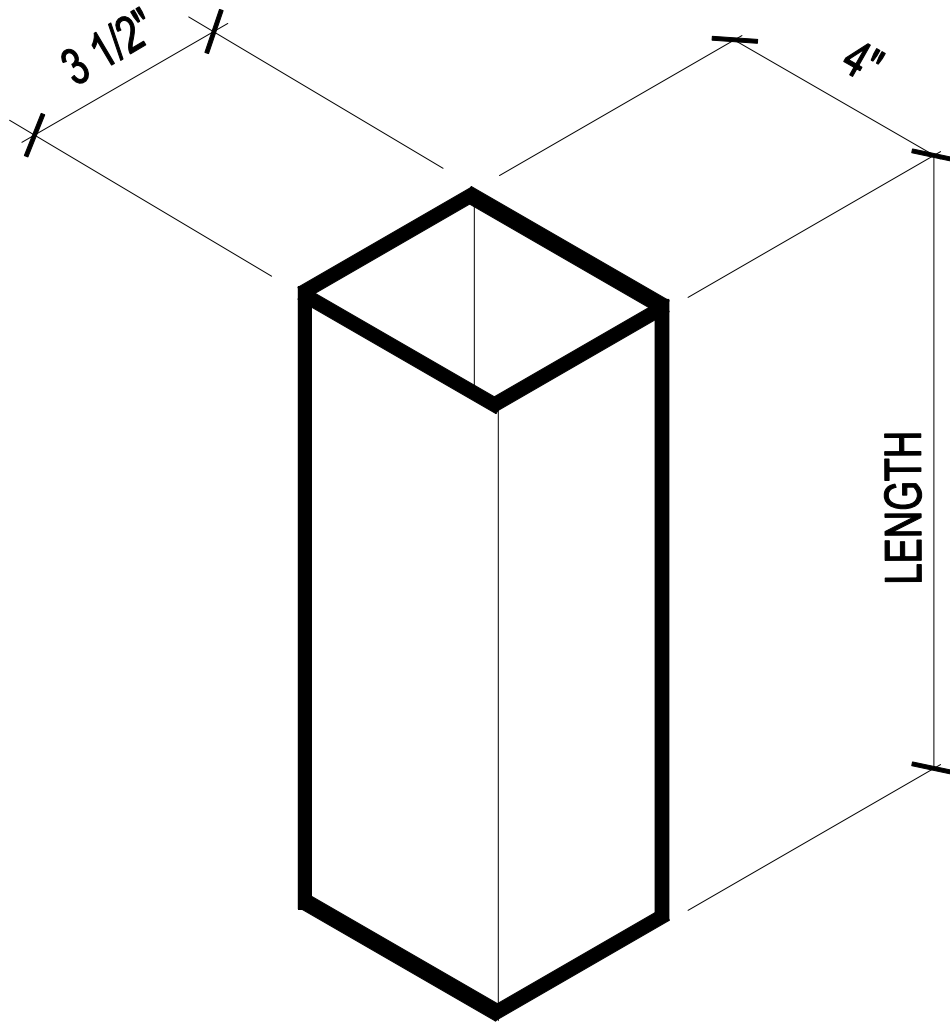
FL-39B

BOX GUTTER END CAP
("PBR" PANEL)



FL-40

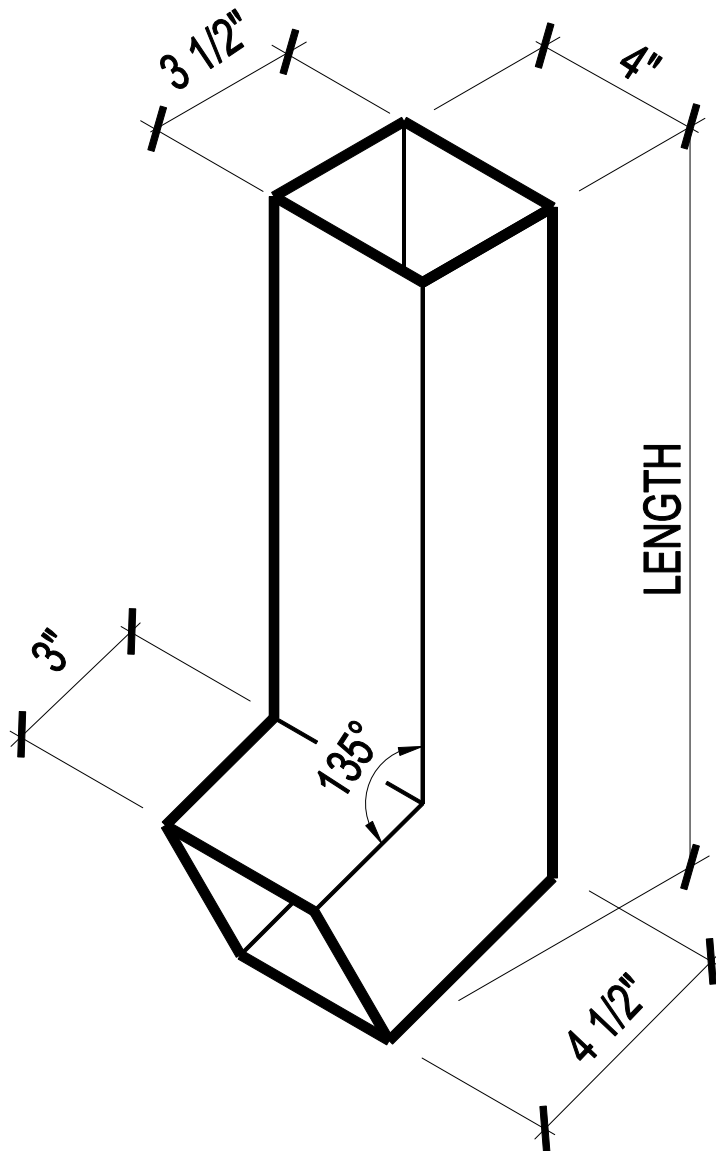
DOWNSPOUT (STRAIGHT)



SPECIFY LENGTH

FL-41

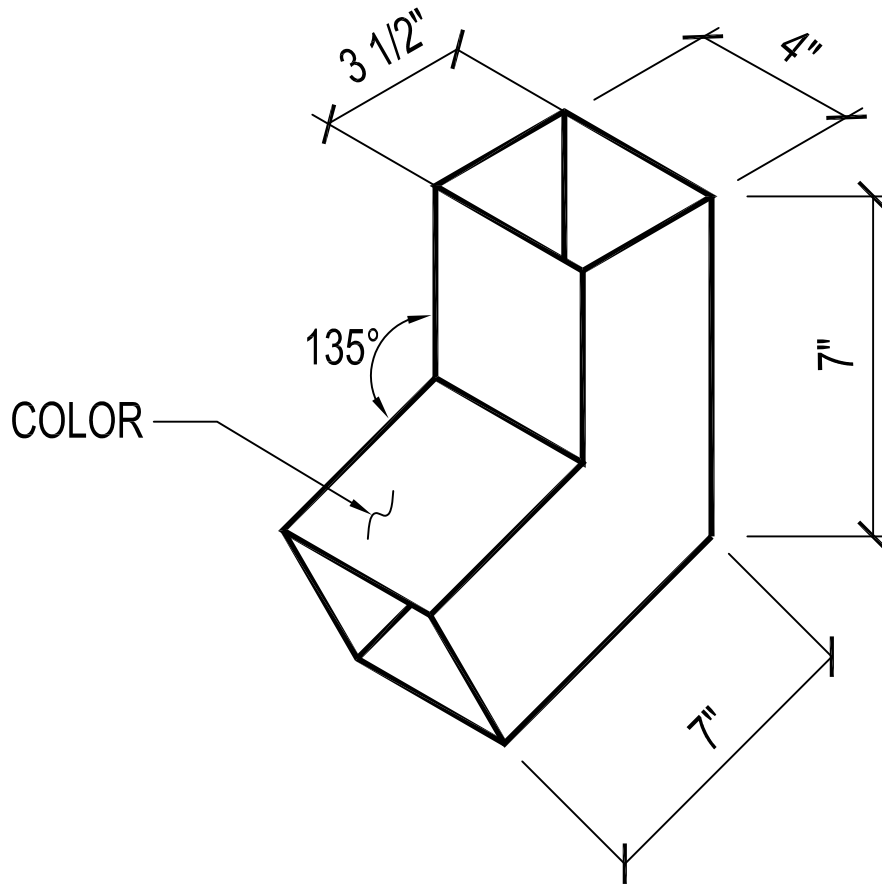
DOWNSPOUT W/ KICKOUT
(45° ELBOW)



SPECIFY LENGTH

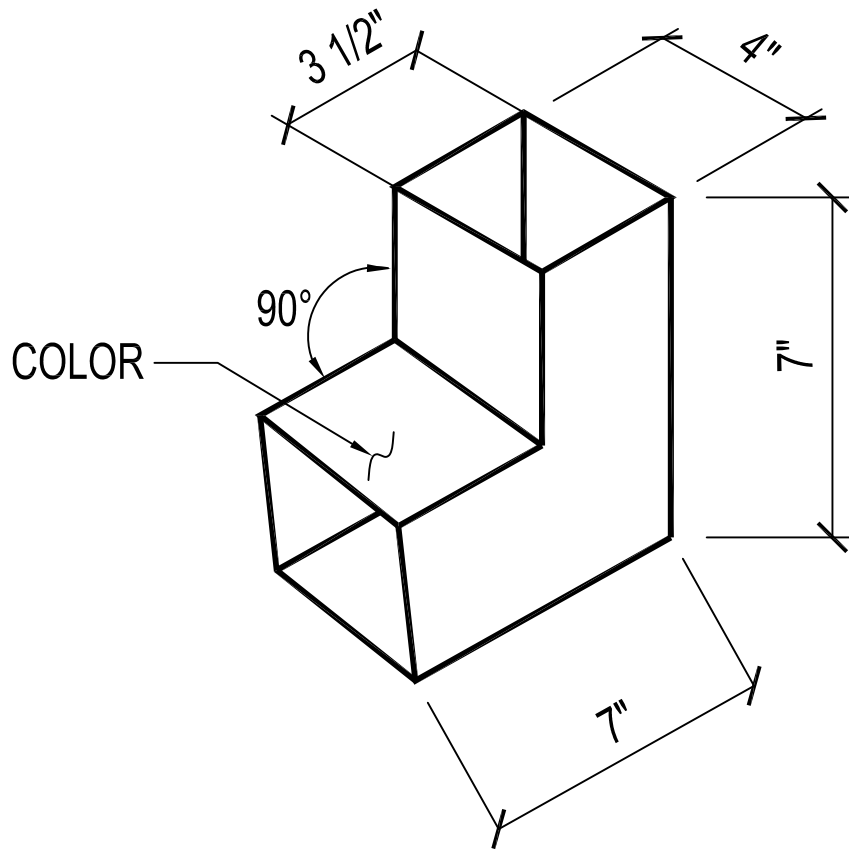
FL-42

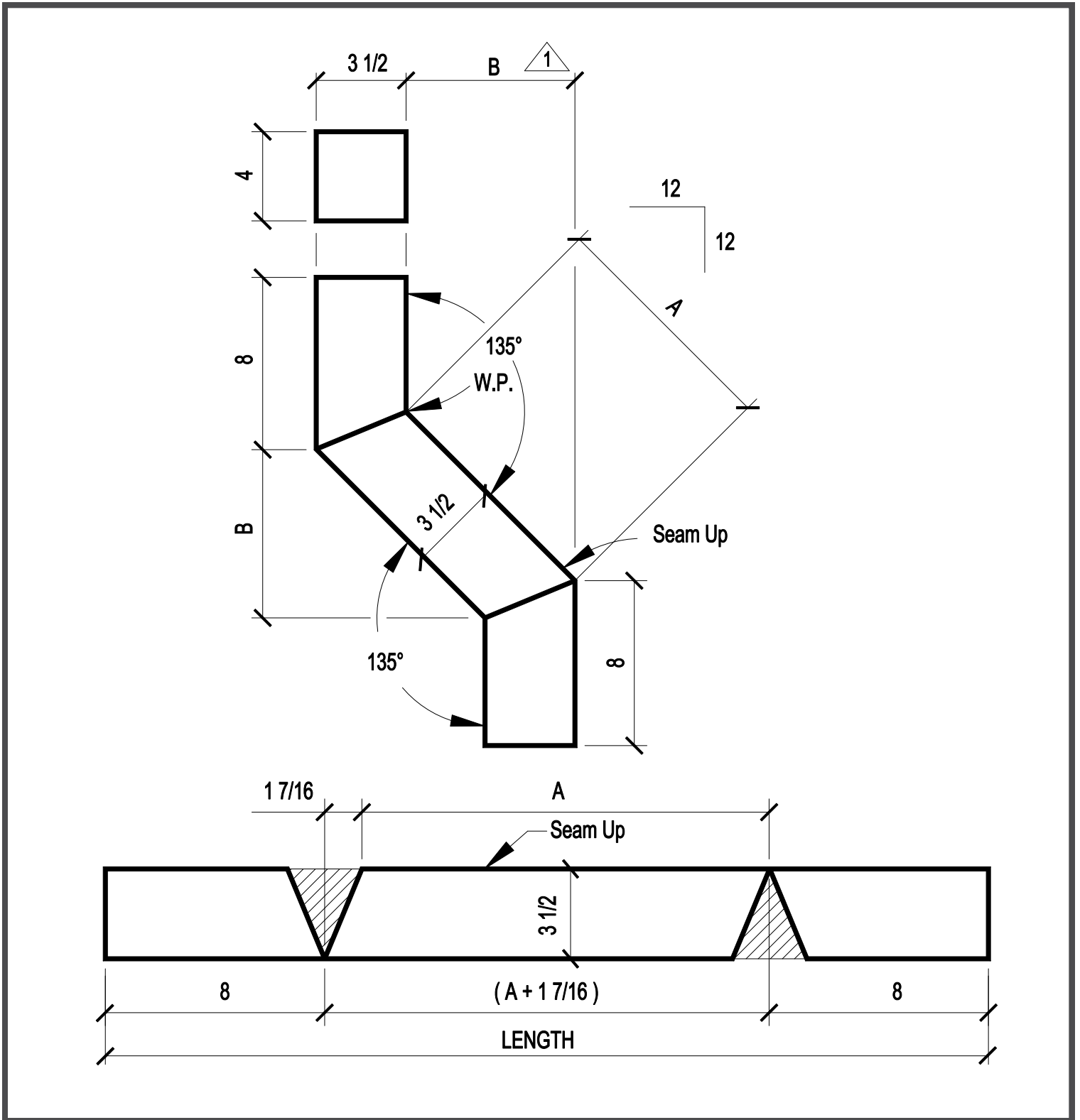
DOWNSPOUT ELBOX
(45° ELBOW)



FL-43

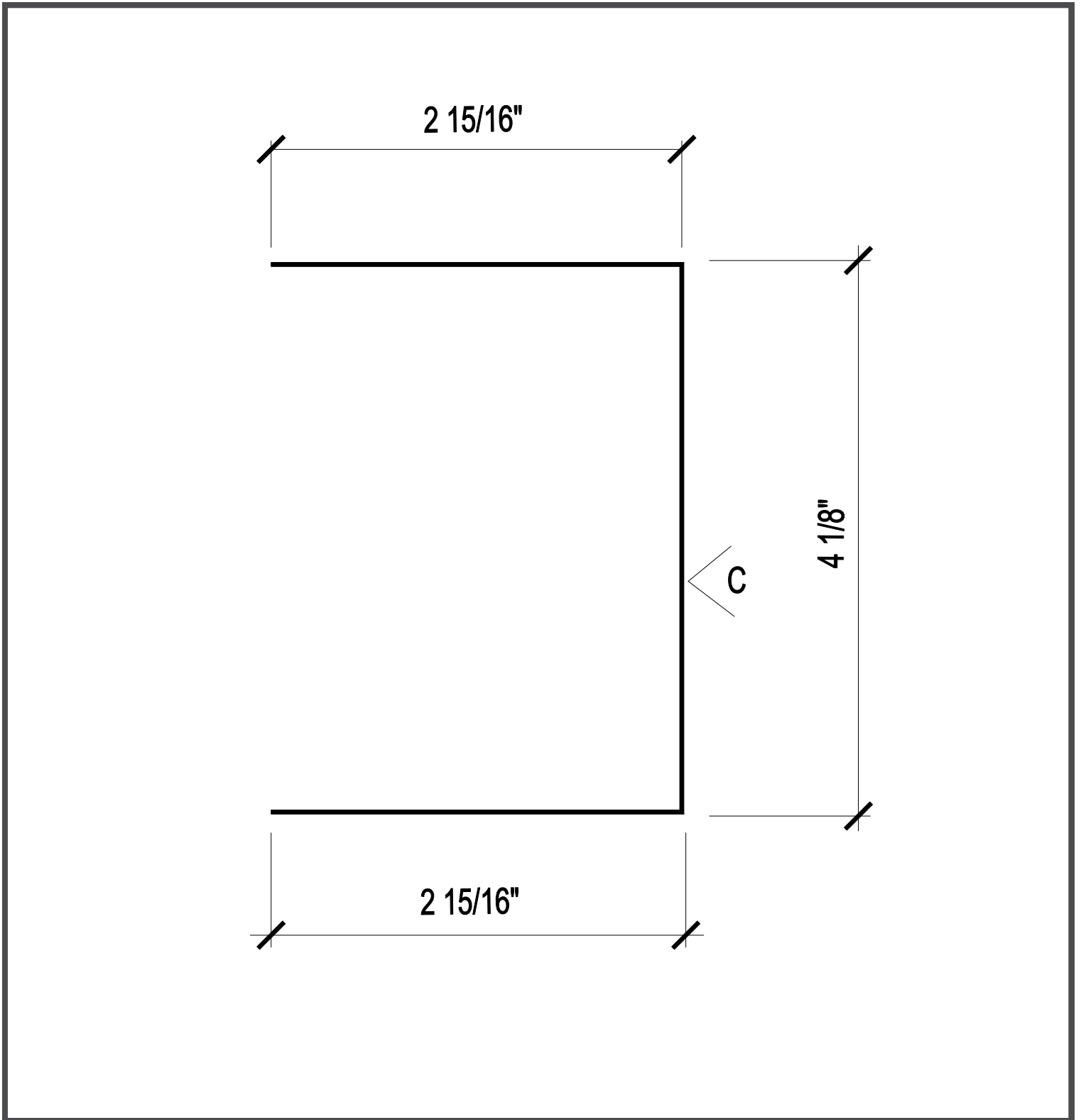
DOWNSPOUT ELBOW
(90° DEG.)





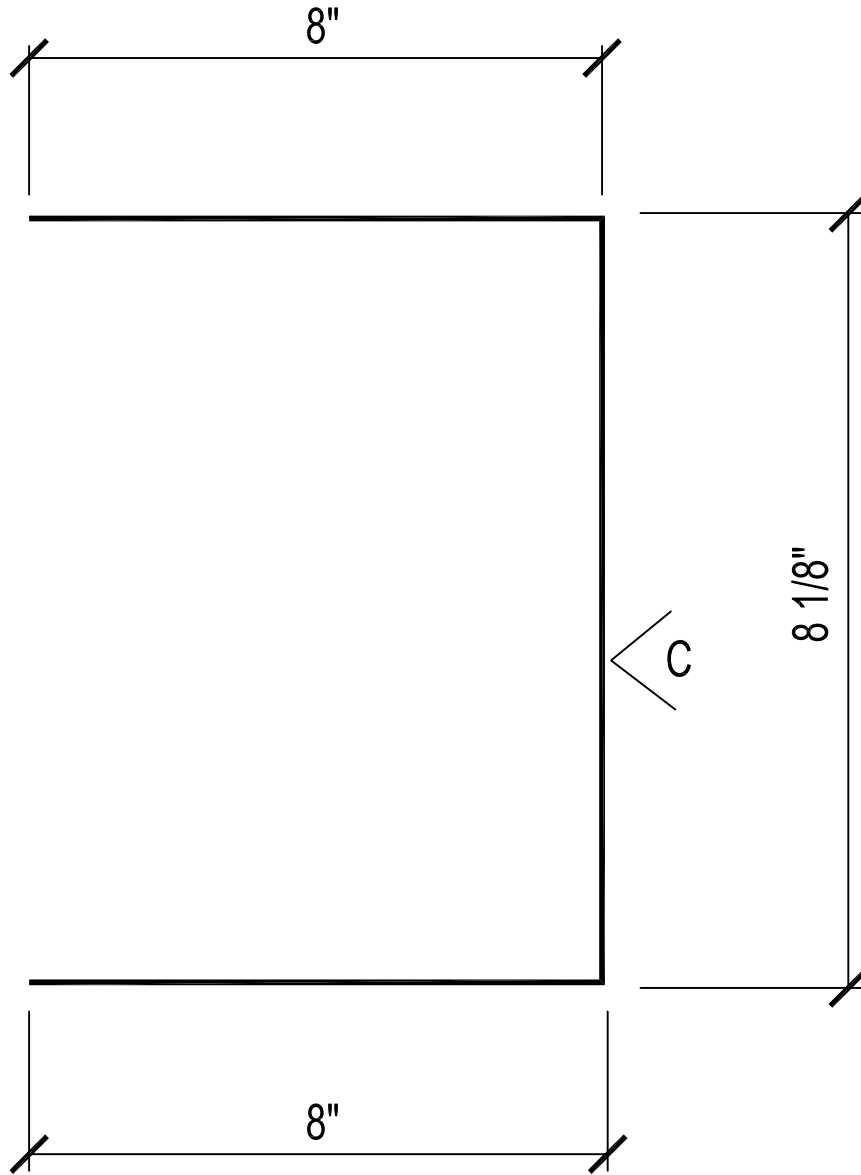
FL-45

4" DOWNSPOUT STRAP



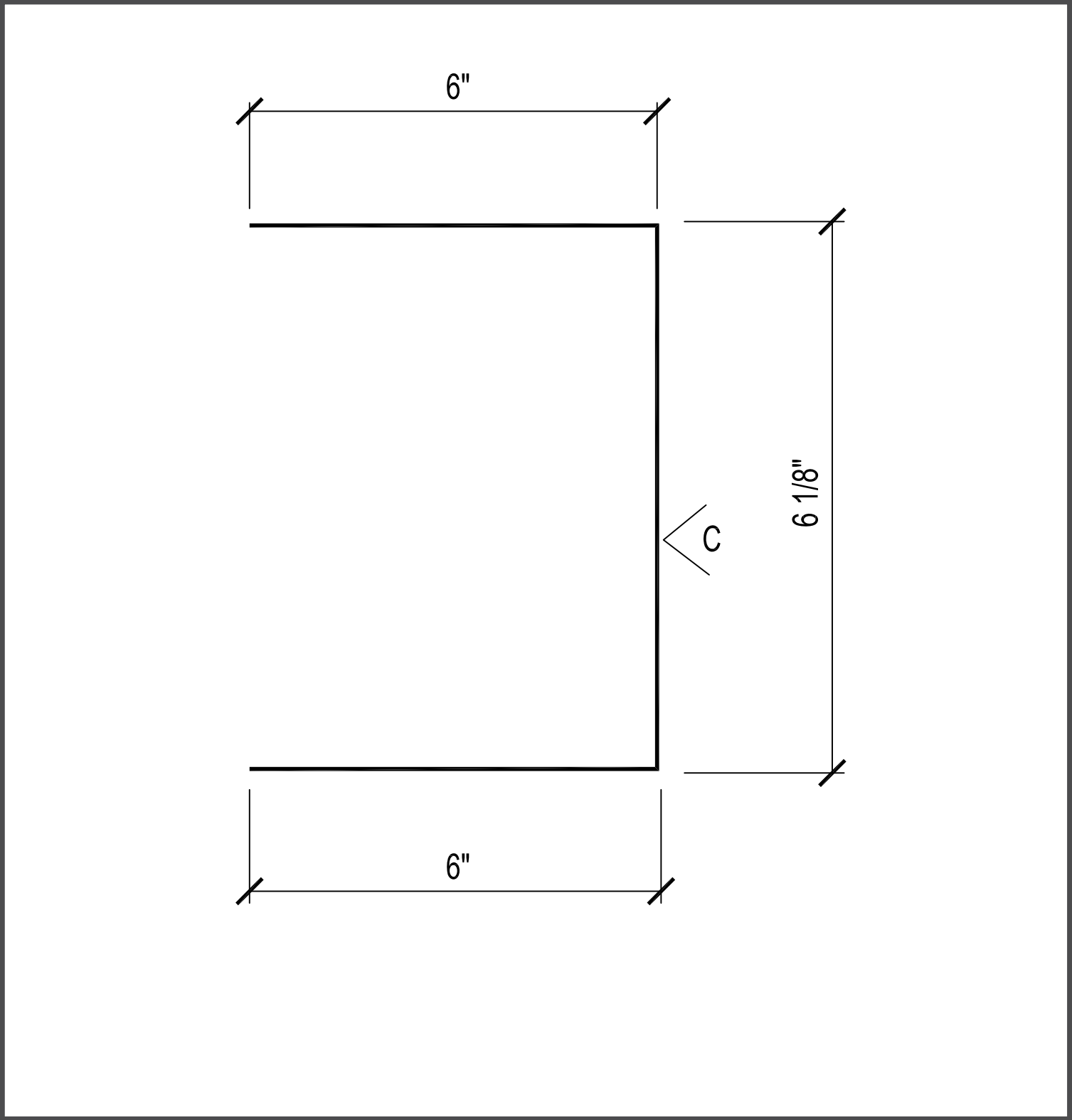
FL-45A

8" DOWNSPOUT STRAP



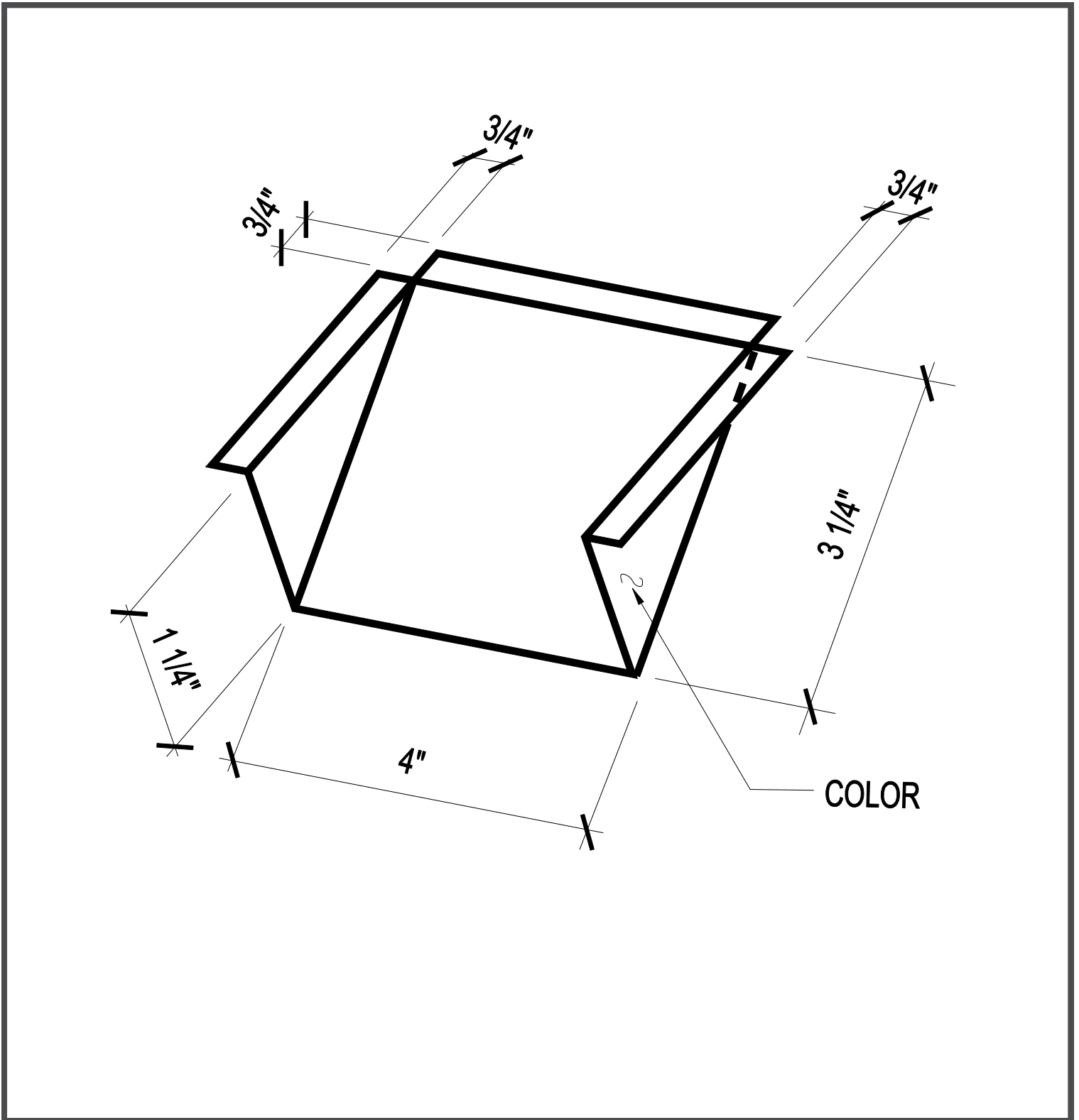
FL-45B

6" DOWNSPOUT STRAP



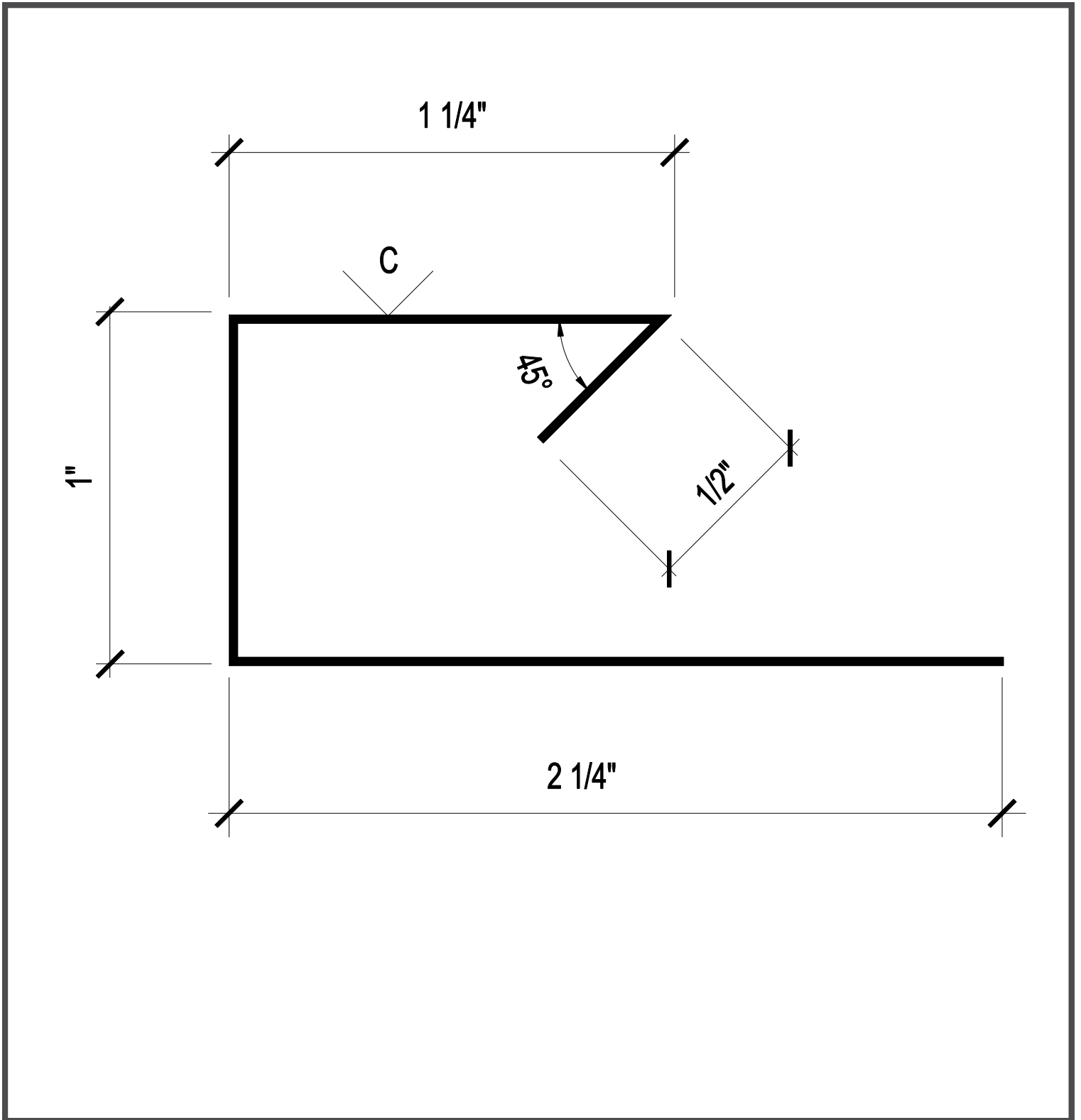
FL-46

SCUPPER



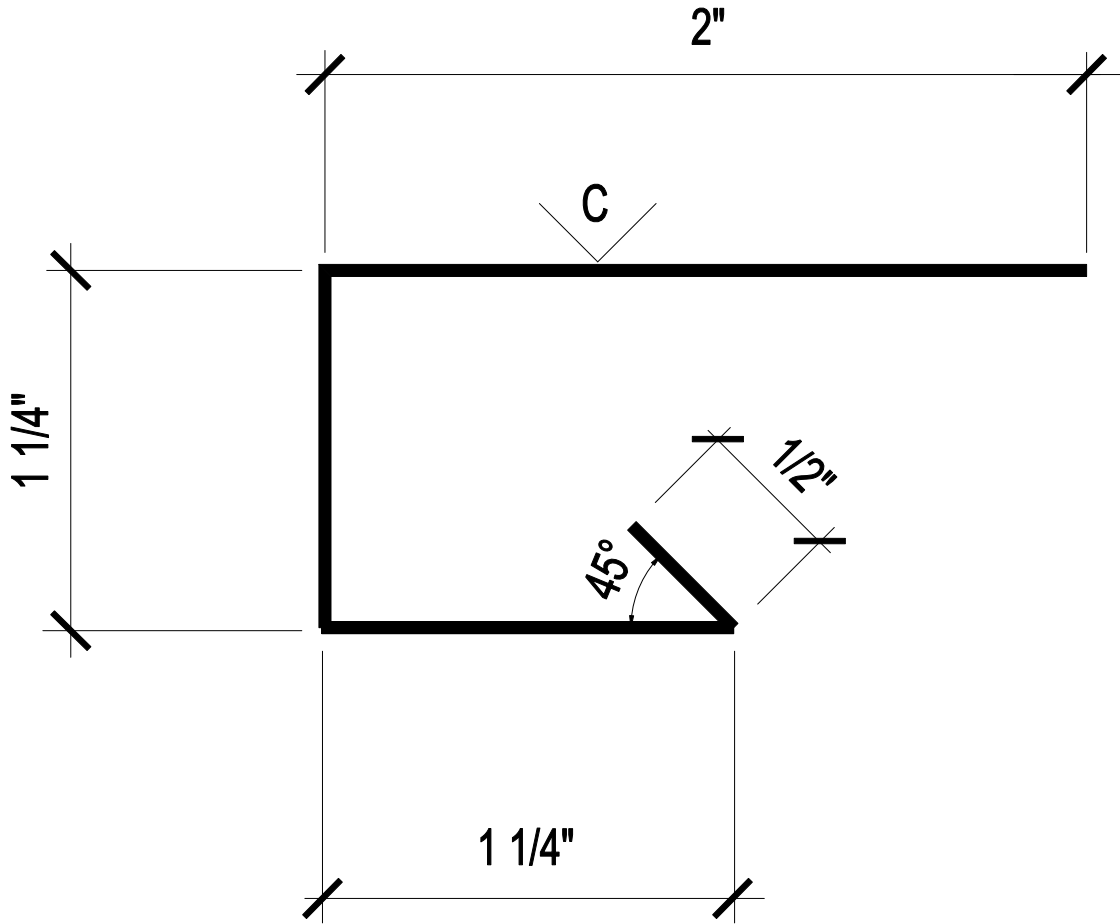
FL-47

JAMB TRIM
("PBU" PANEL)



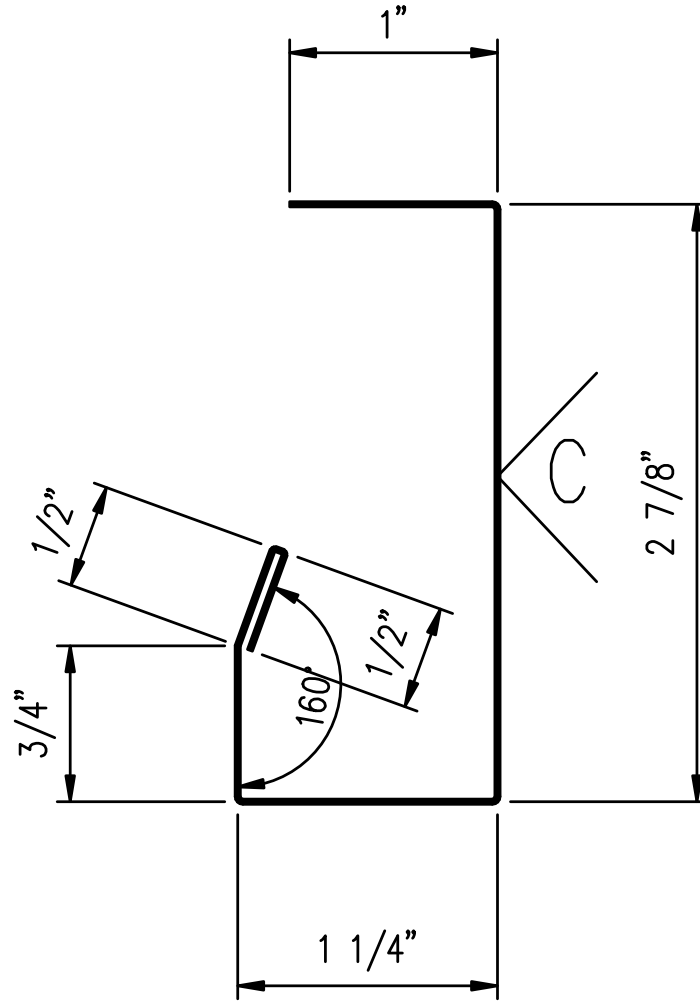
FL-48

JAMB TRIM
("PBR" PANEL)



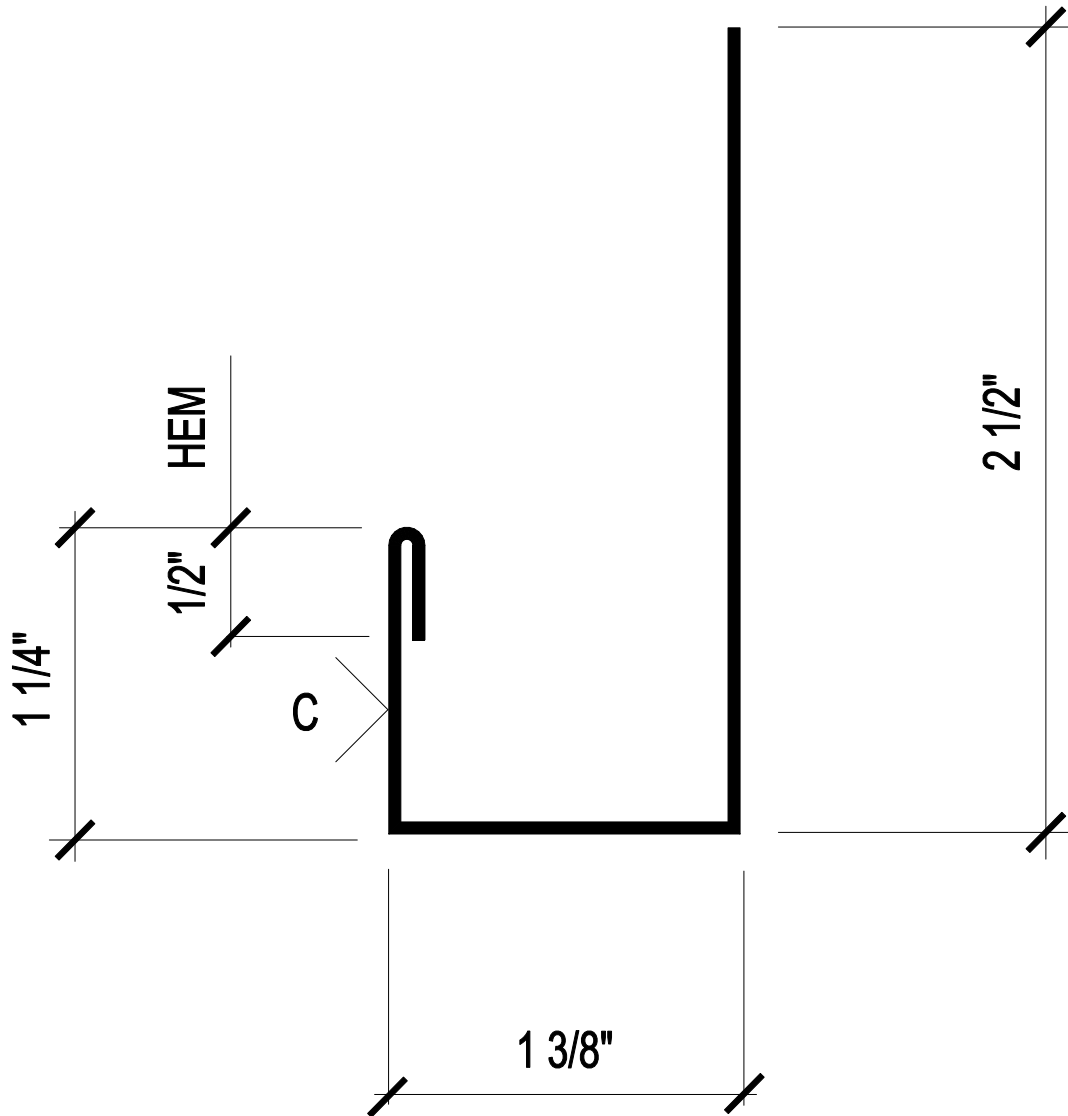
FL-49

JAMB TRIM
("RVPBR", "A" PANEL)



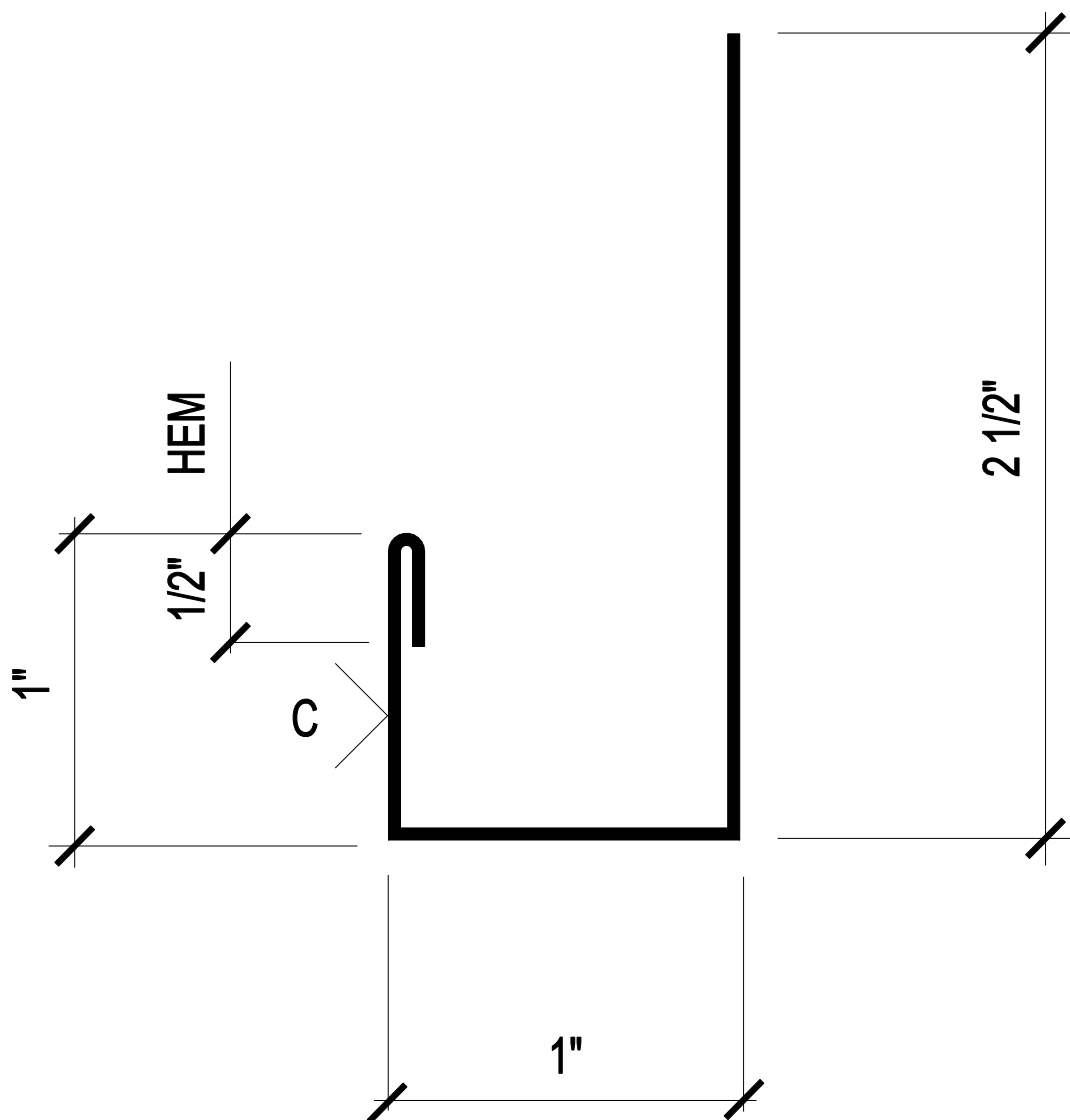
FL-50

HEAD TRIM
("PBR" OR "A" PANELS)



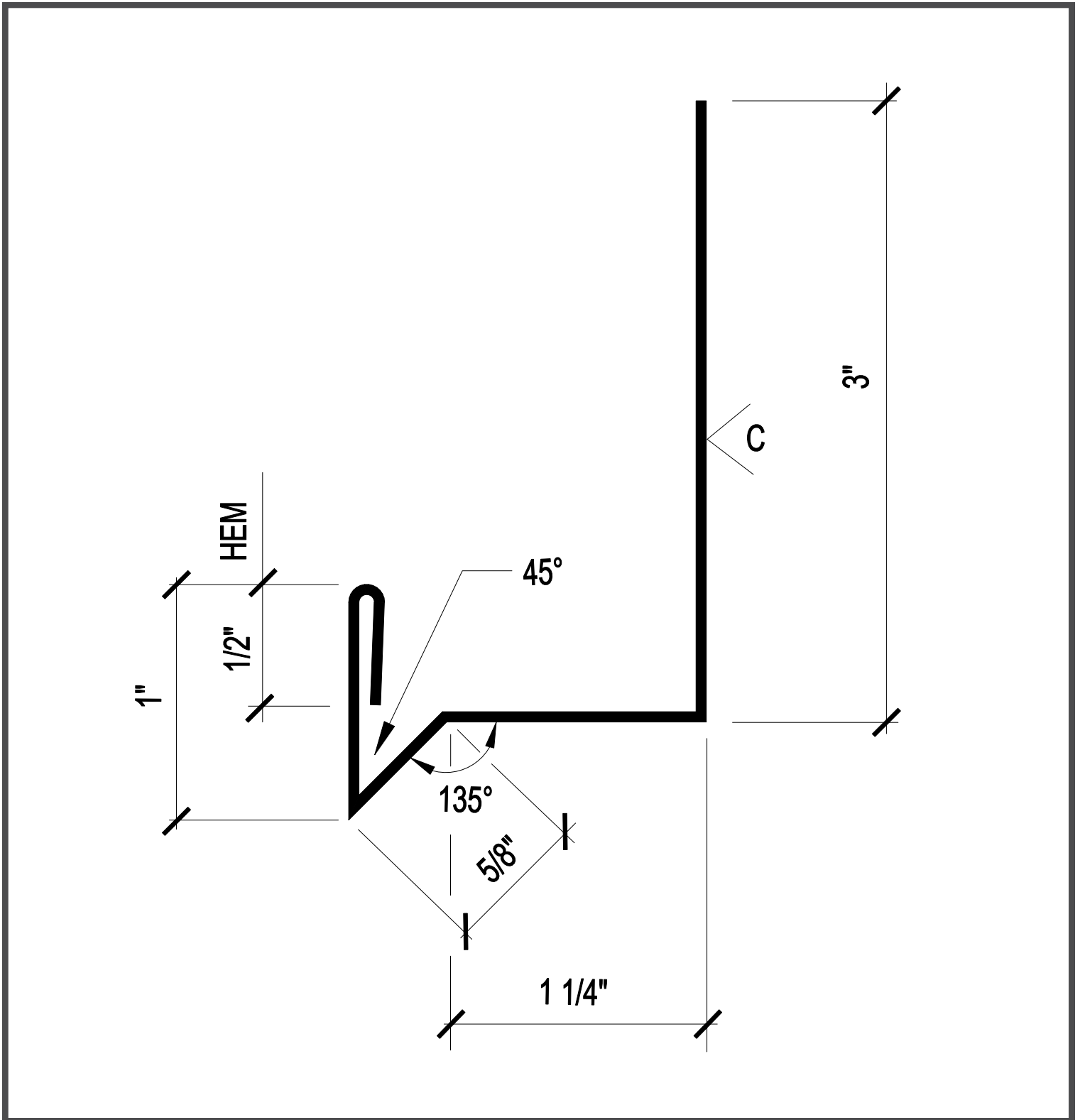
FL-51

HEAD TRIM
("PBU" PANELS)



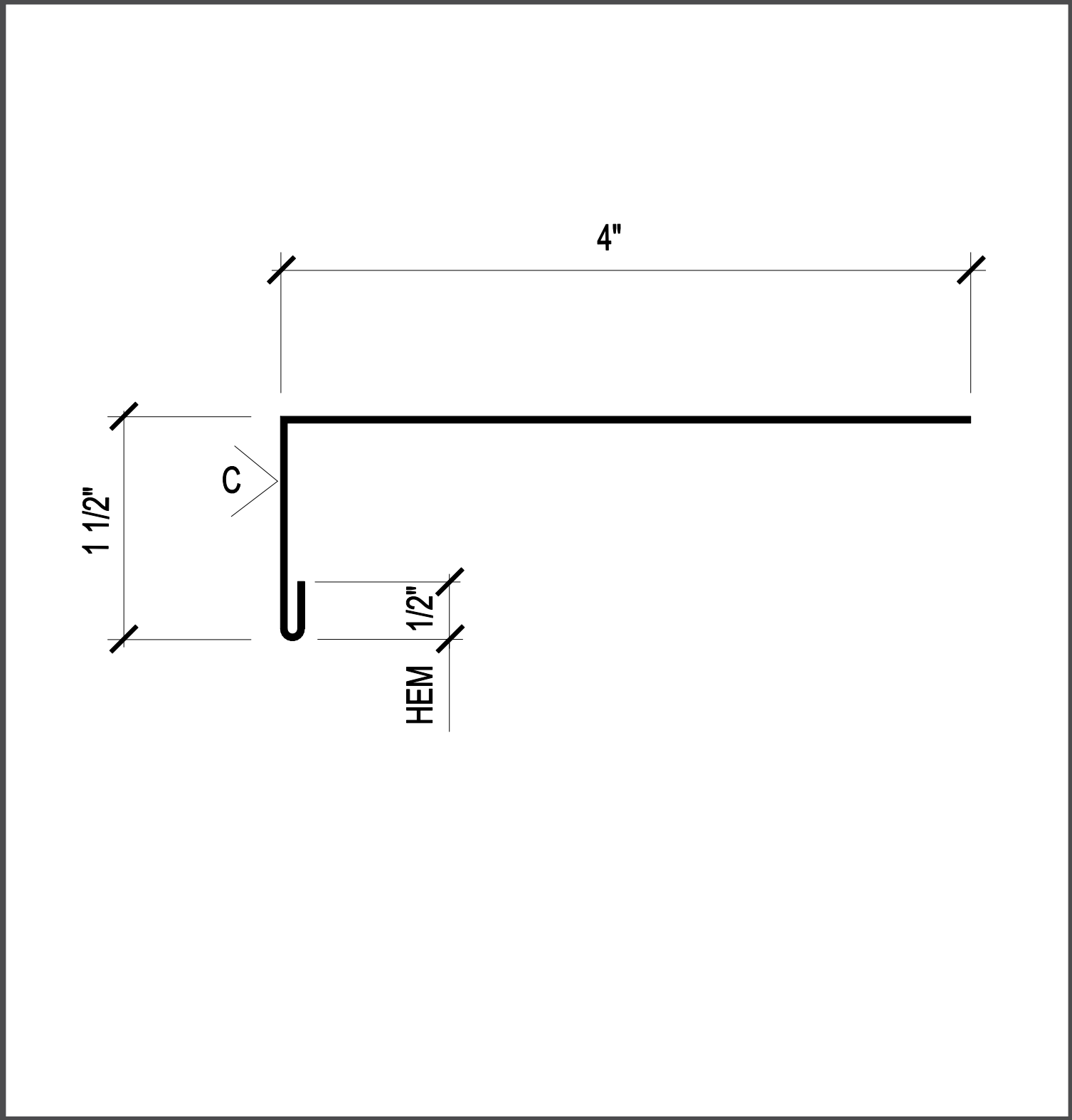
FL-52

HEAD TRIM
("A", "PBR" PANEL)



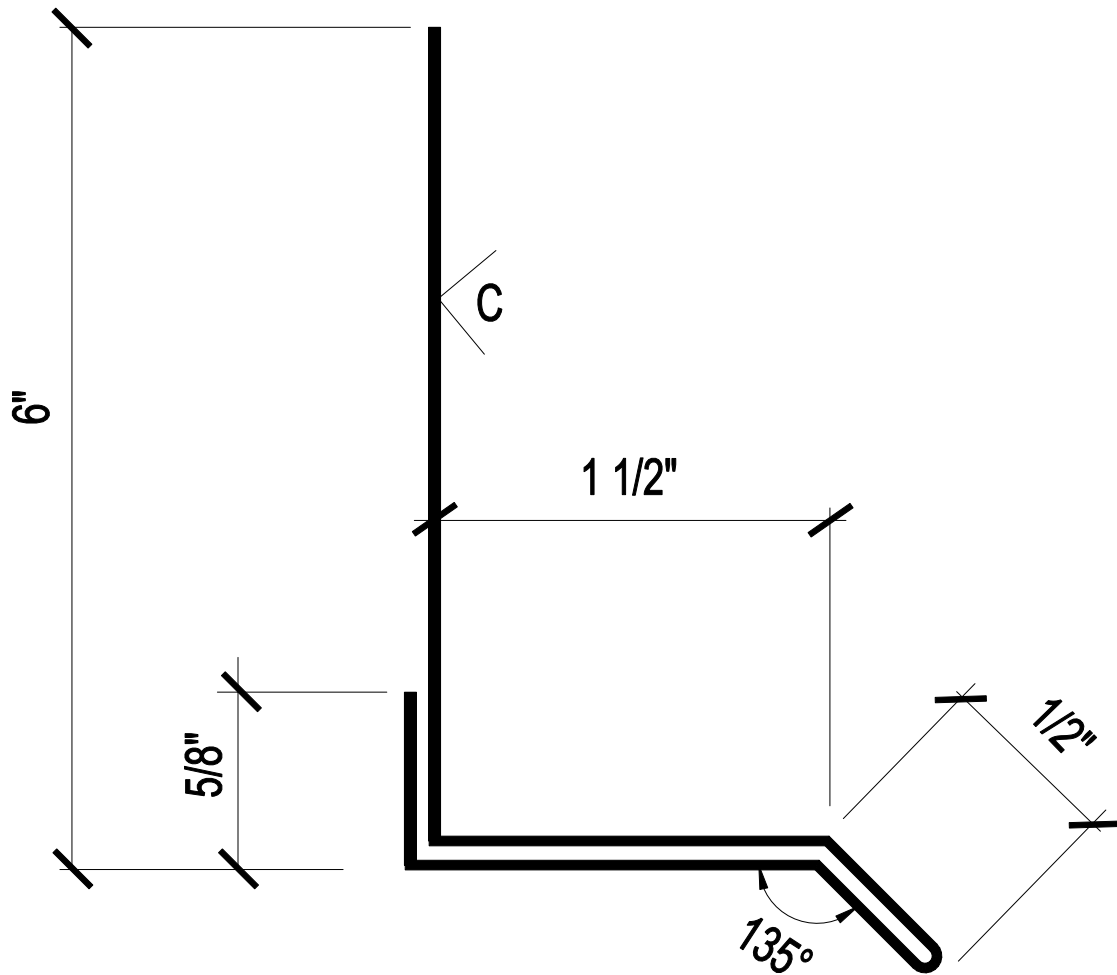
FL-53

WINDOW SILL TRIM
(FIXED GLASS)



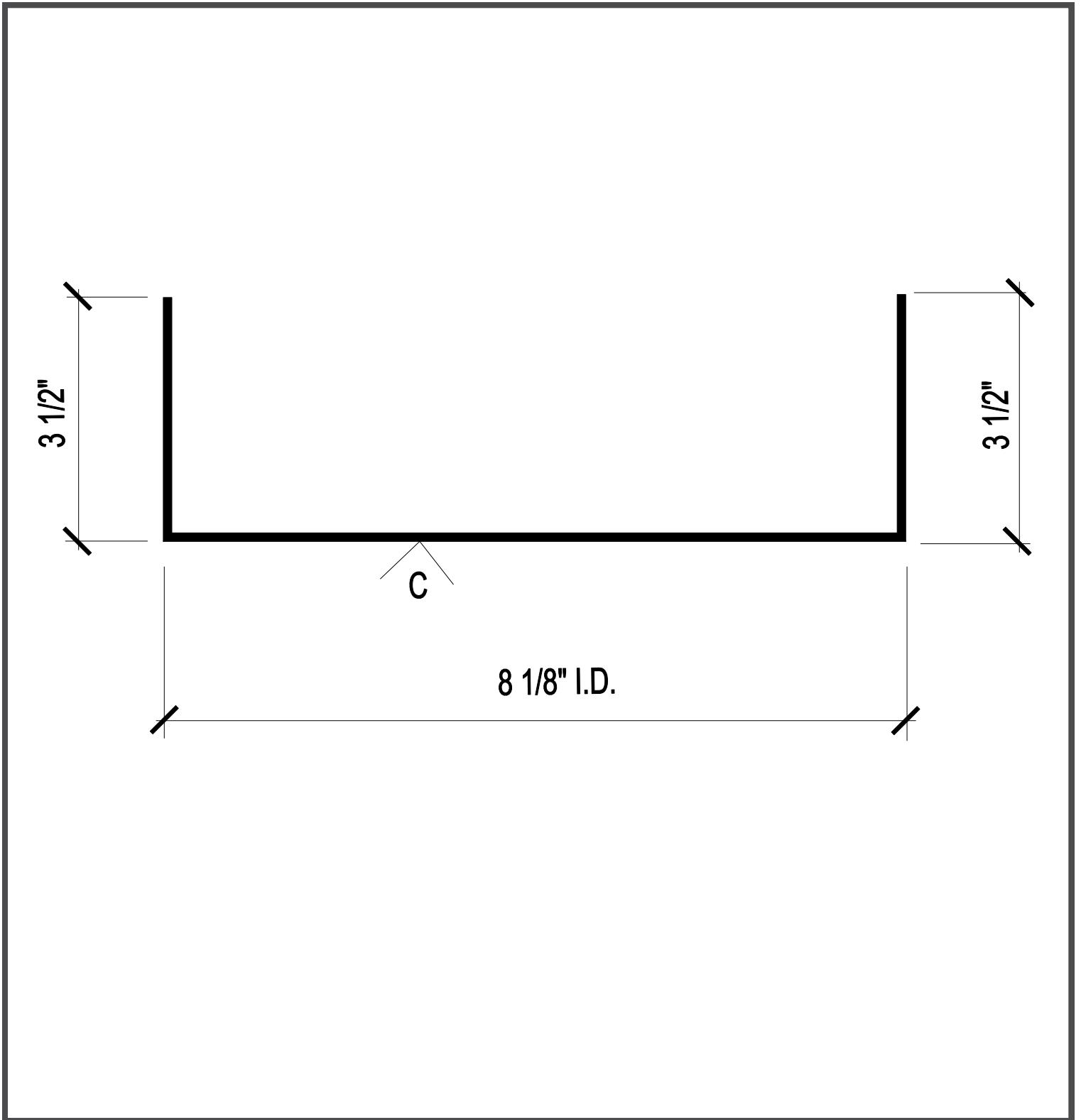
FL-54

DRIP TRIM
("PBR", "A" PANEL)



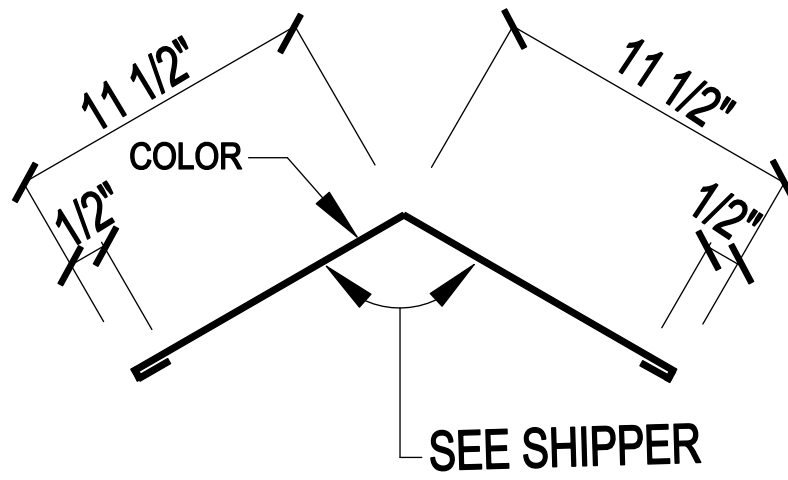
FL-55

CHANNEL CLOSURE FLASH
(F.O. COVER TRIM)



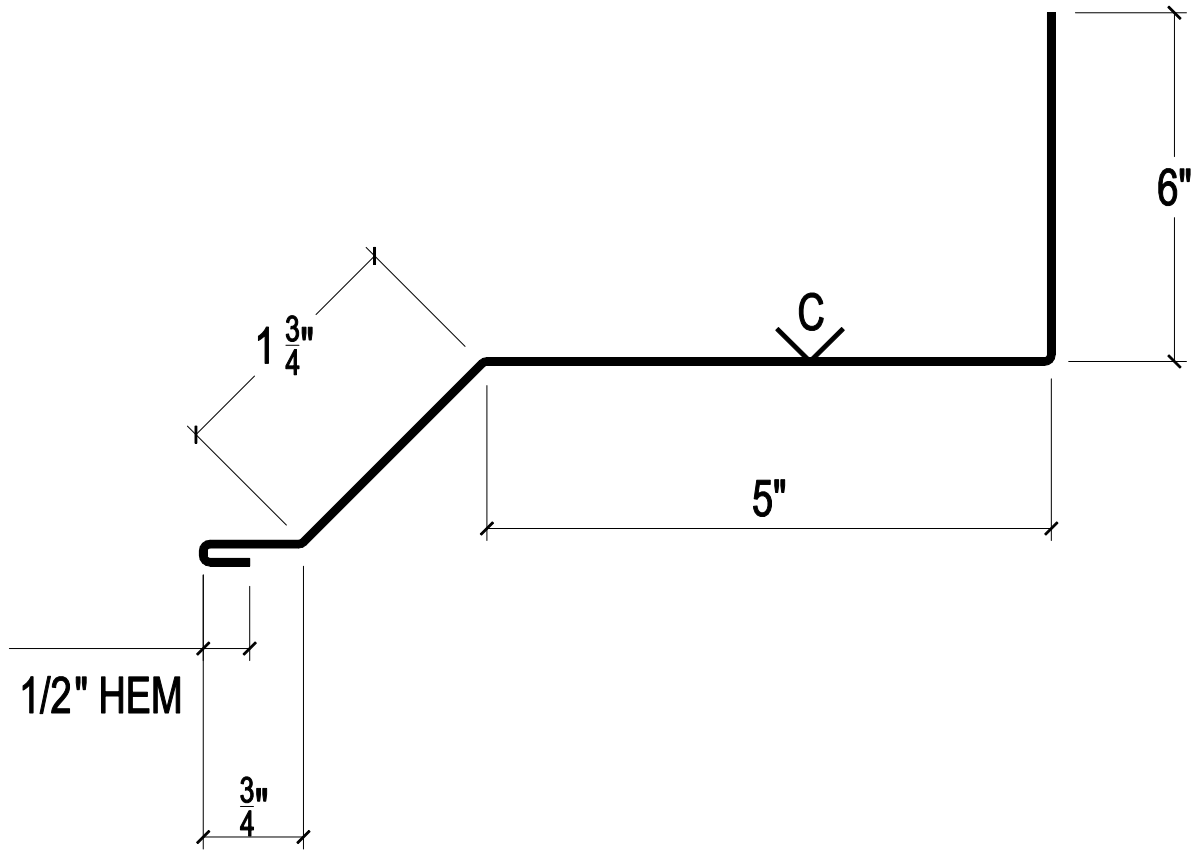
FL-56

FLAT RIDGE CAP



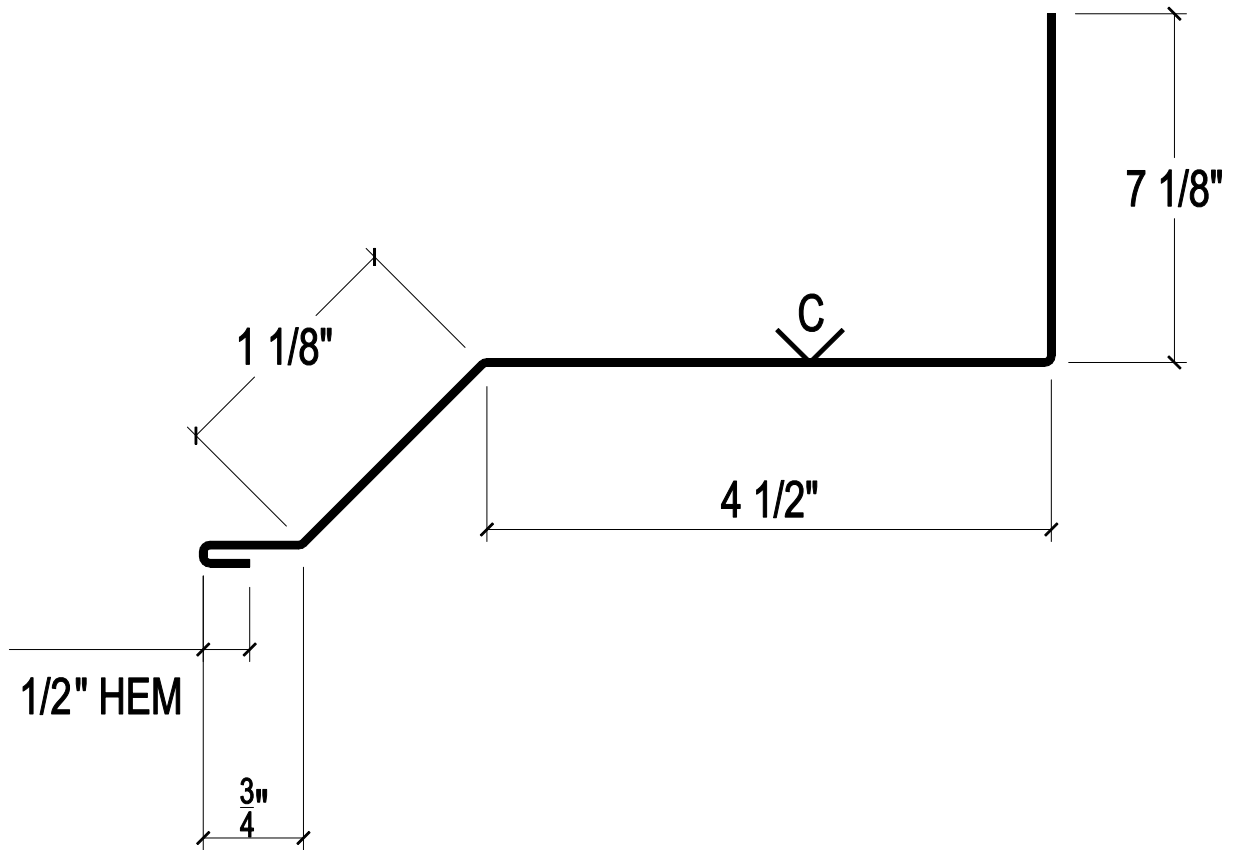
FL-57

ROOF CONVERSION TRIM
("PBR" PANEL)



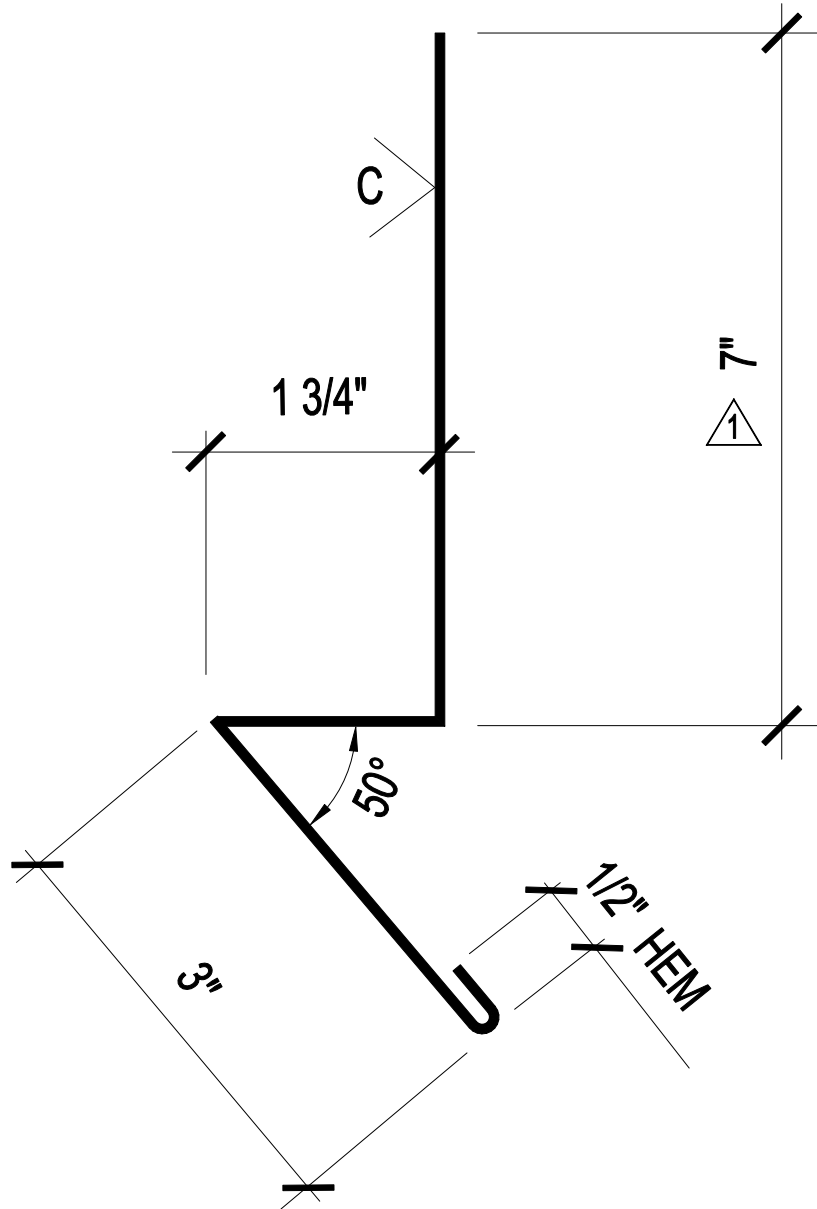
FL-58

ROOF CONVERSION TRIM
("PBU" PANEL)



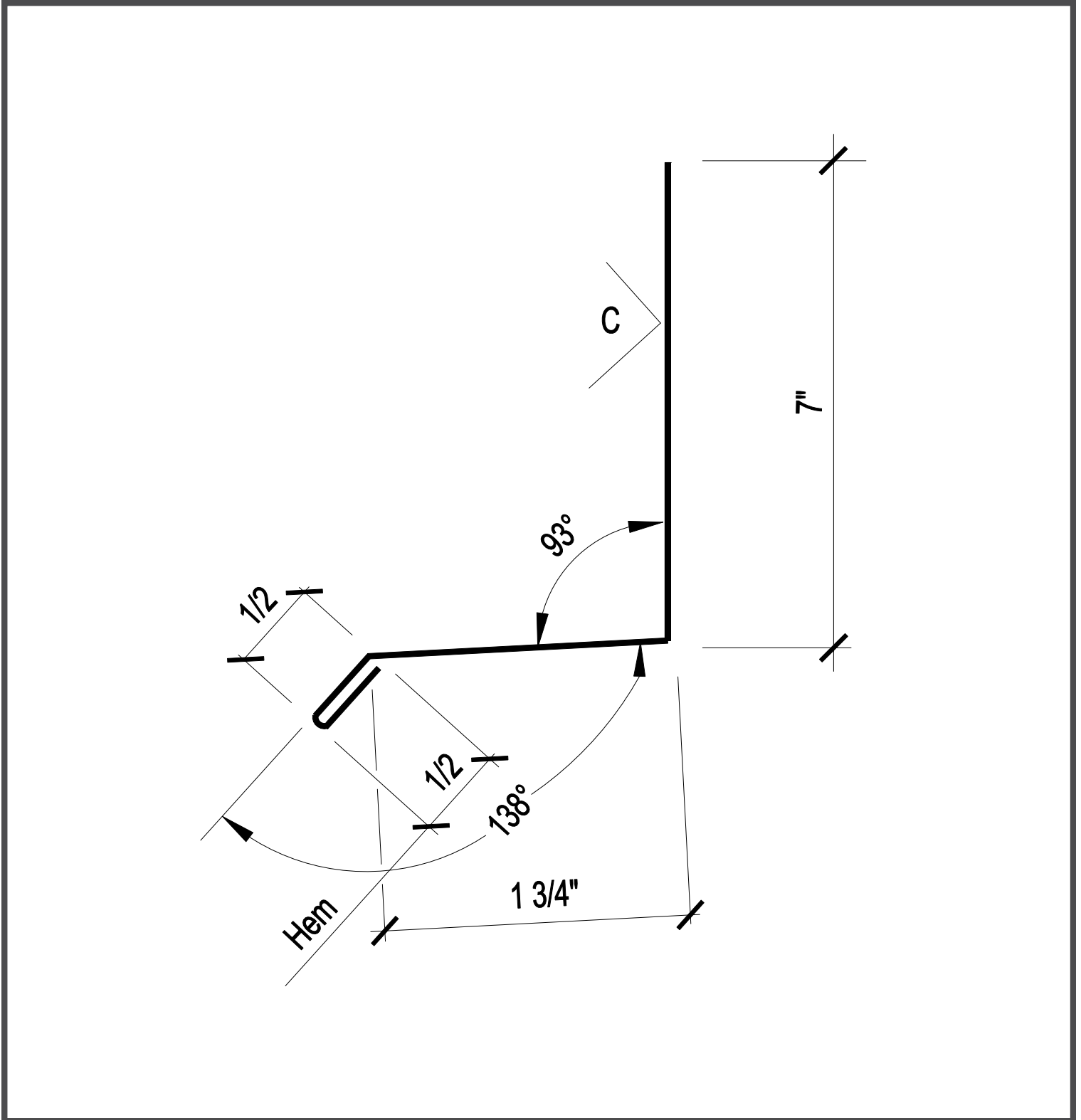
FL-59

BASE FLASH
("PBR", "A" PANEL)



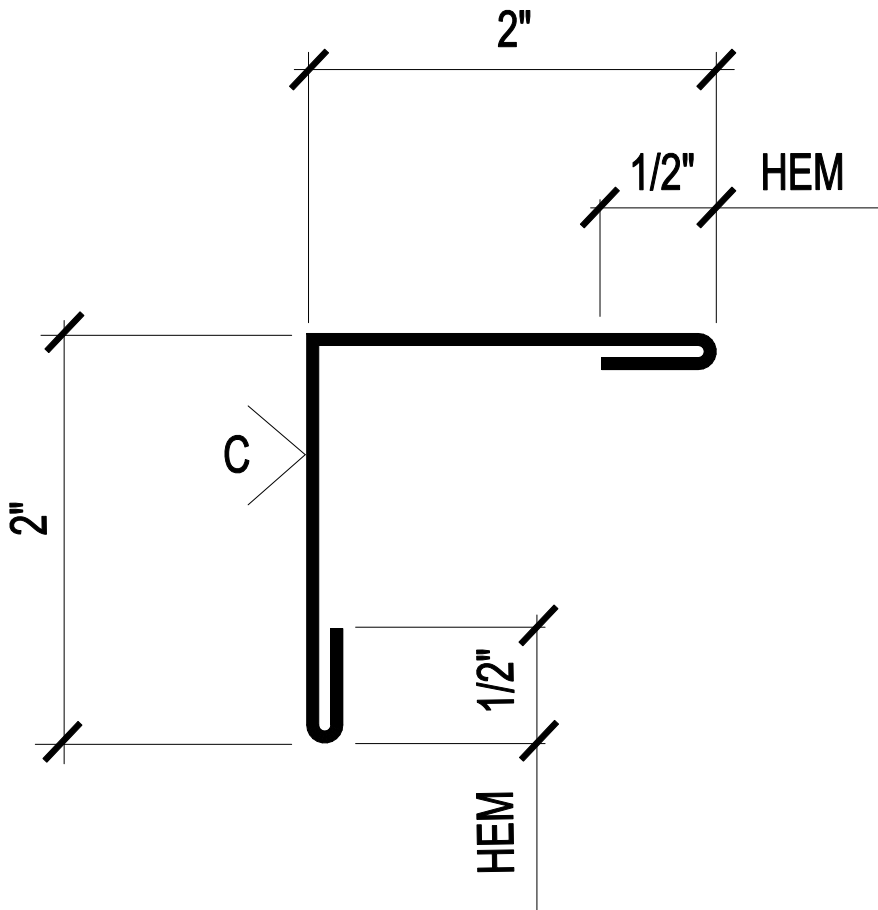
FL-60

BASE TRIM
("PBR", "A" PANEL)



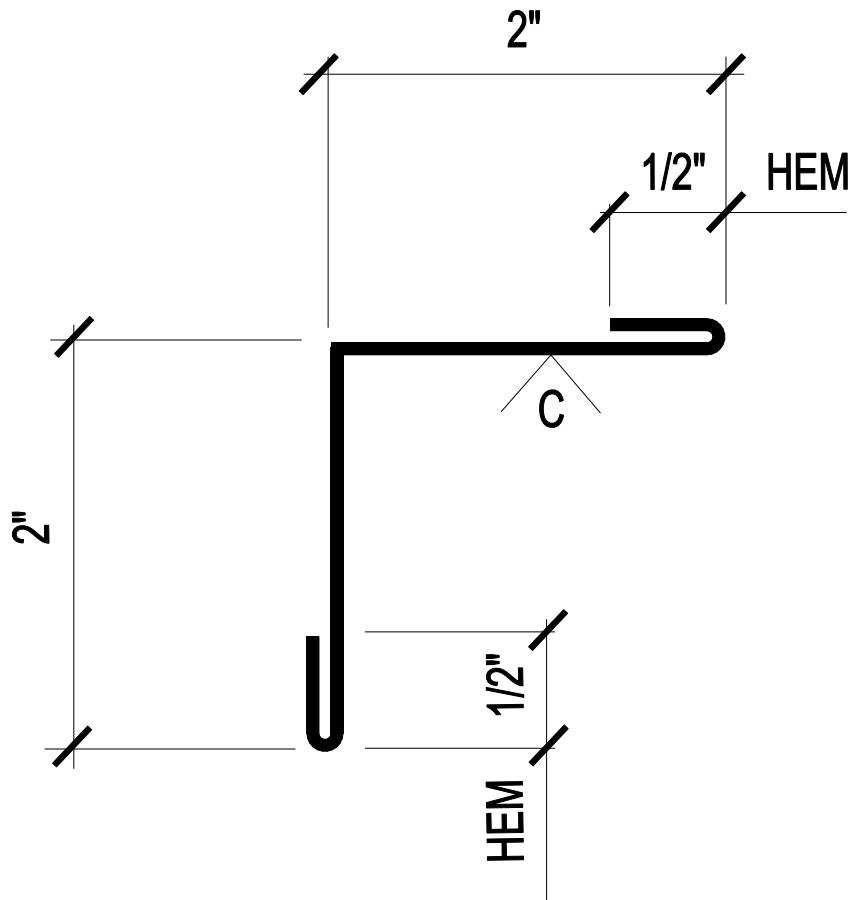
FL-61

2 X 2 OUTSIDE ANGLE
(ALL PANELS)



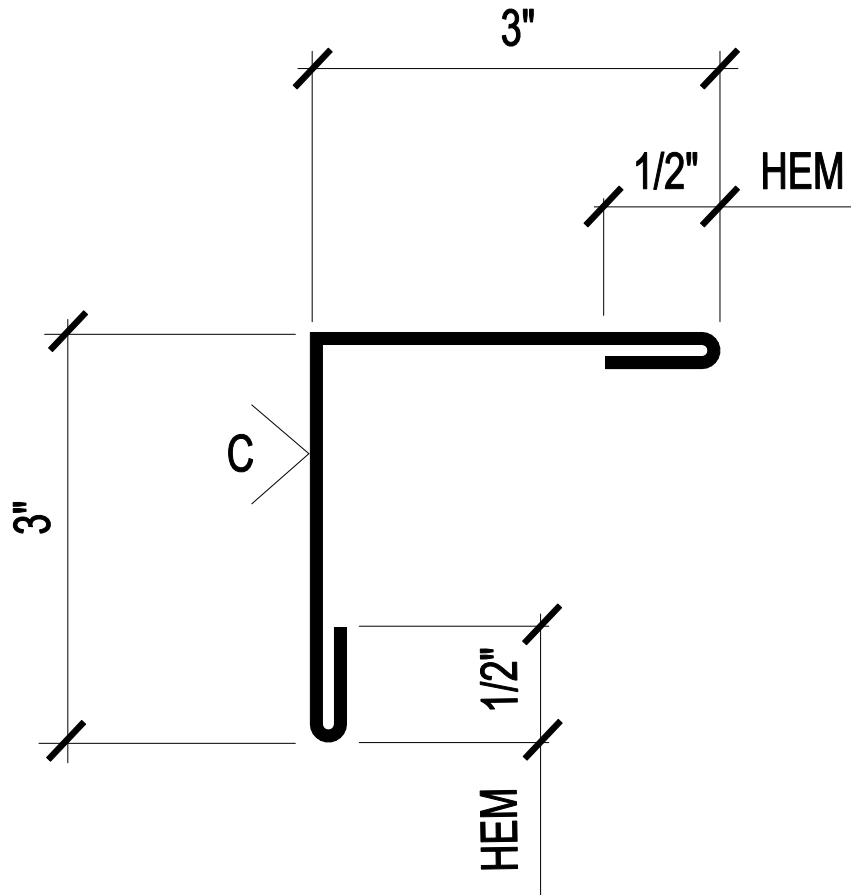
FL-62

2 X 2 INSIDE ANGLE
(ALL PANELS)



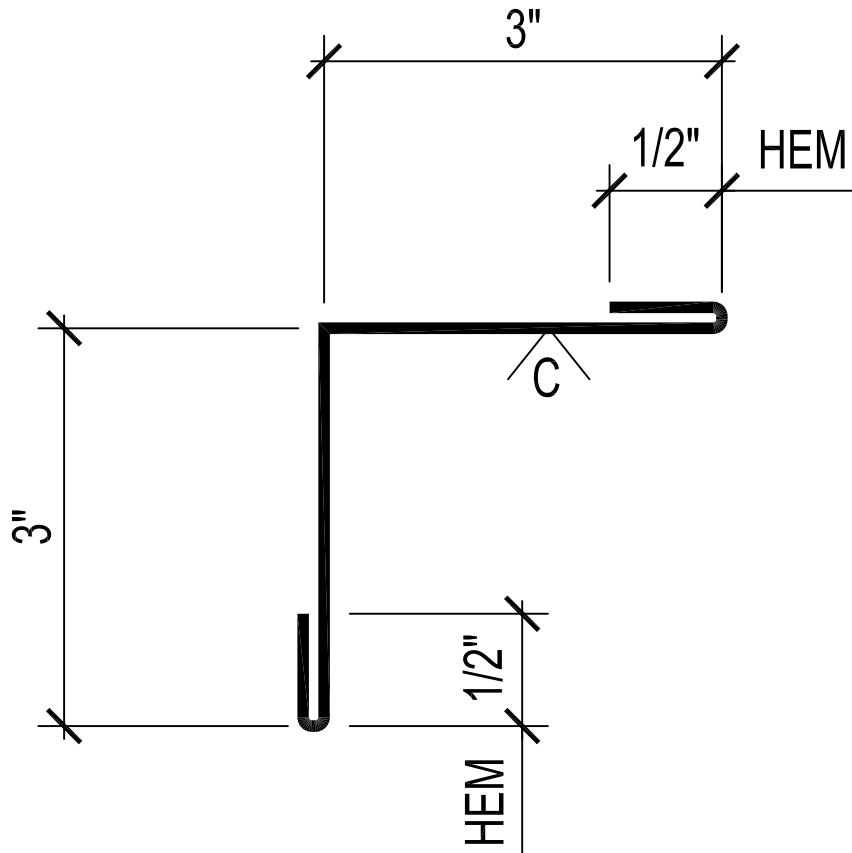
FL-63

3 X 3 OUTSIDE ANGLE
(ALL PANELS)



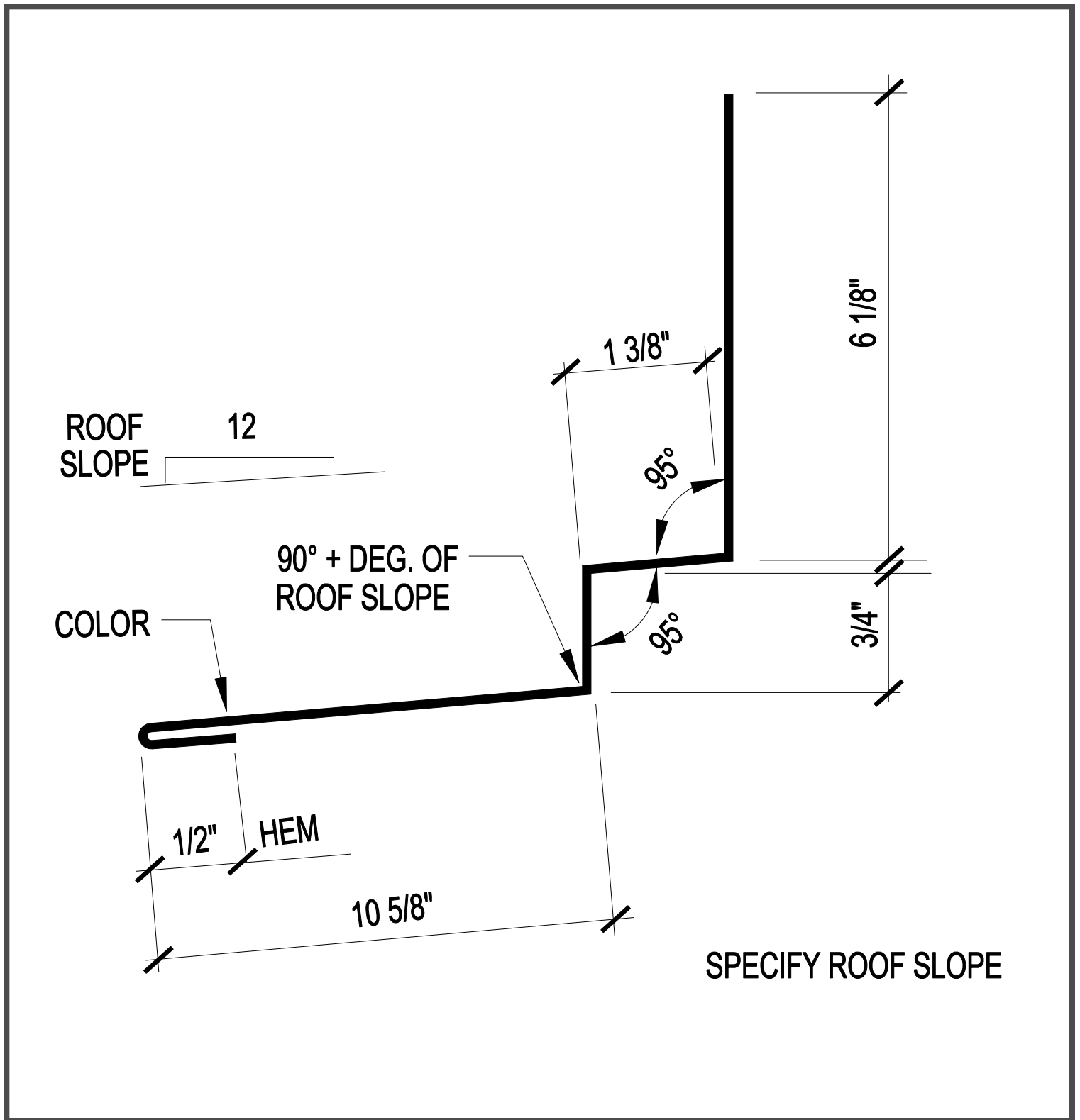
FL-64

3 X 3 INSIDE ANGLE
(ALL PANELS)



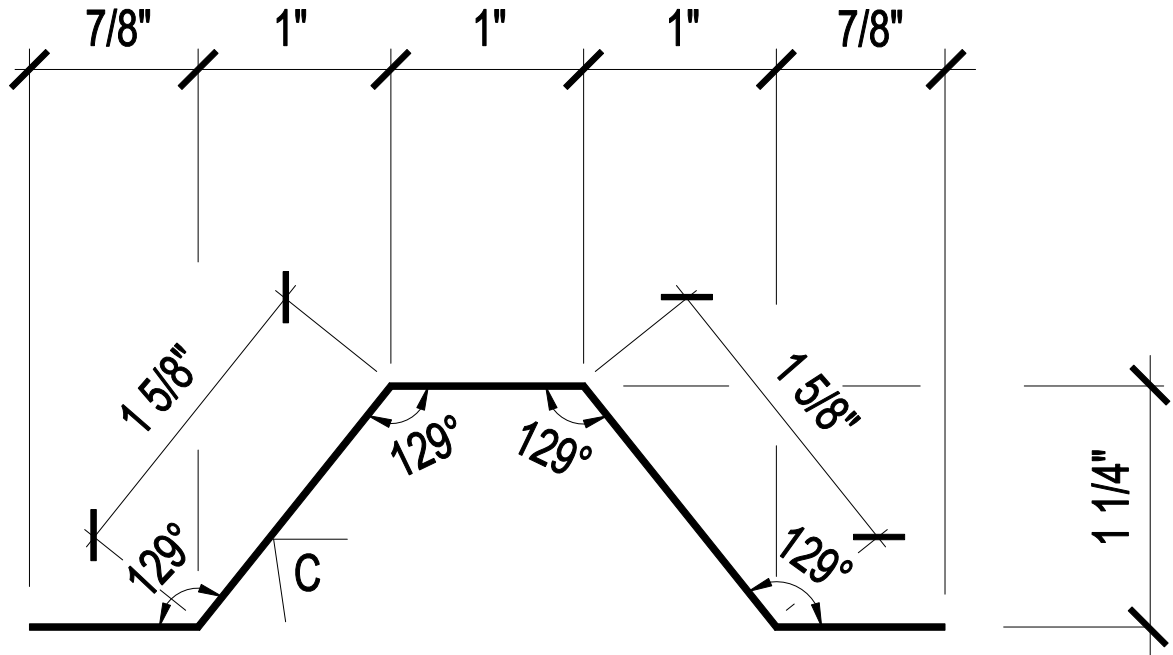
FL-65

HIGH EAVE FLASH ("PBR", "A" PANEL)



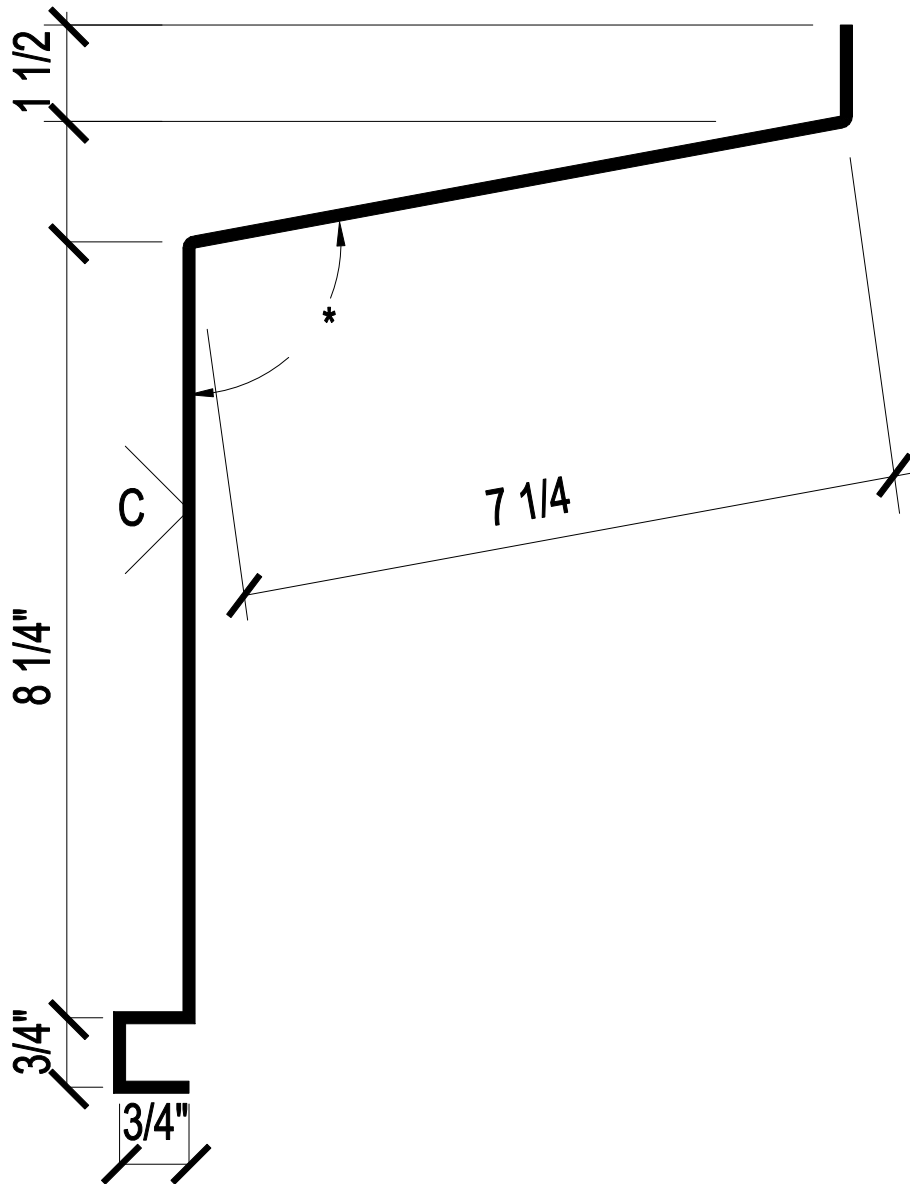
FL-66

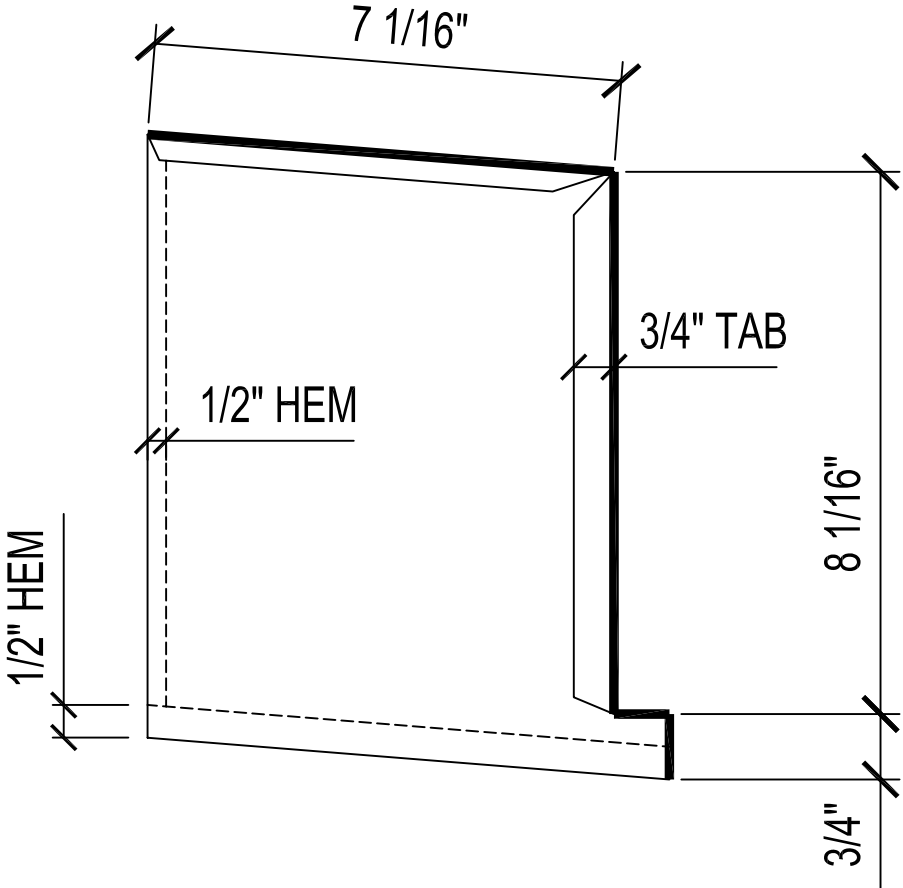
LTP "R" FLASHING
(SKYLIGHT TRIM)



FL-67

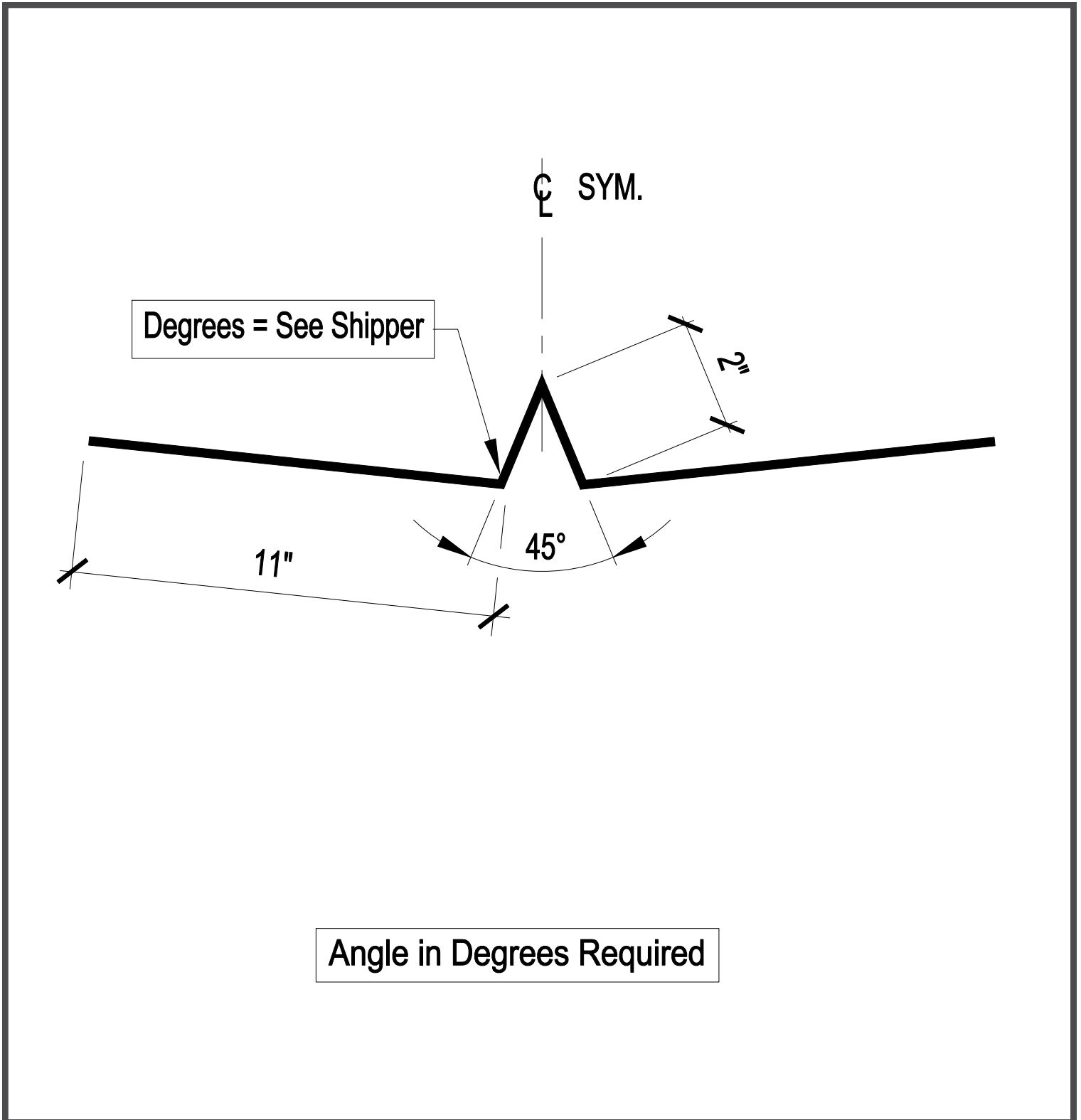
HOOD TRIM
(SLIDE DOOR)





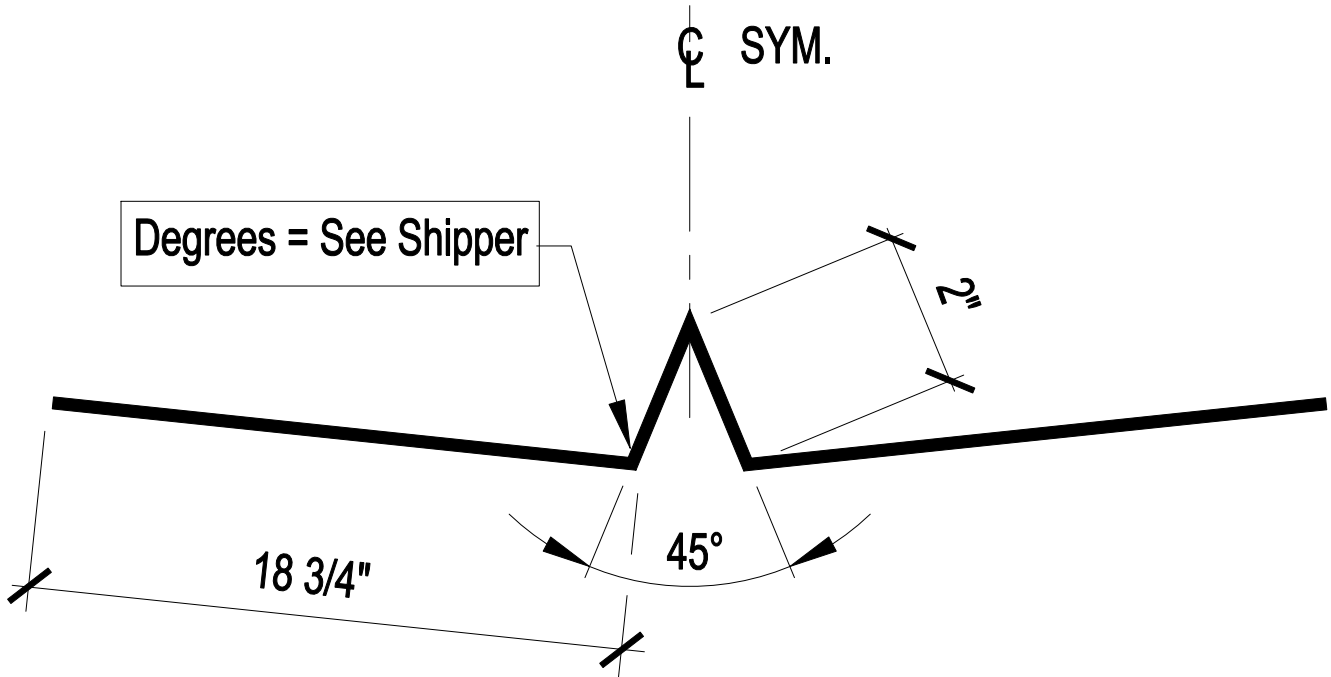
FL-69

VALLEY TRIM STANDARD LOW/UTILITY



FL-70

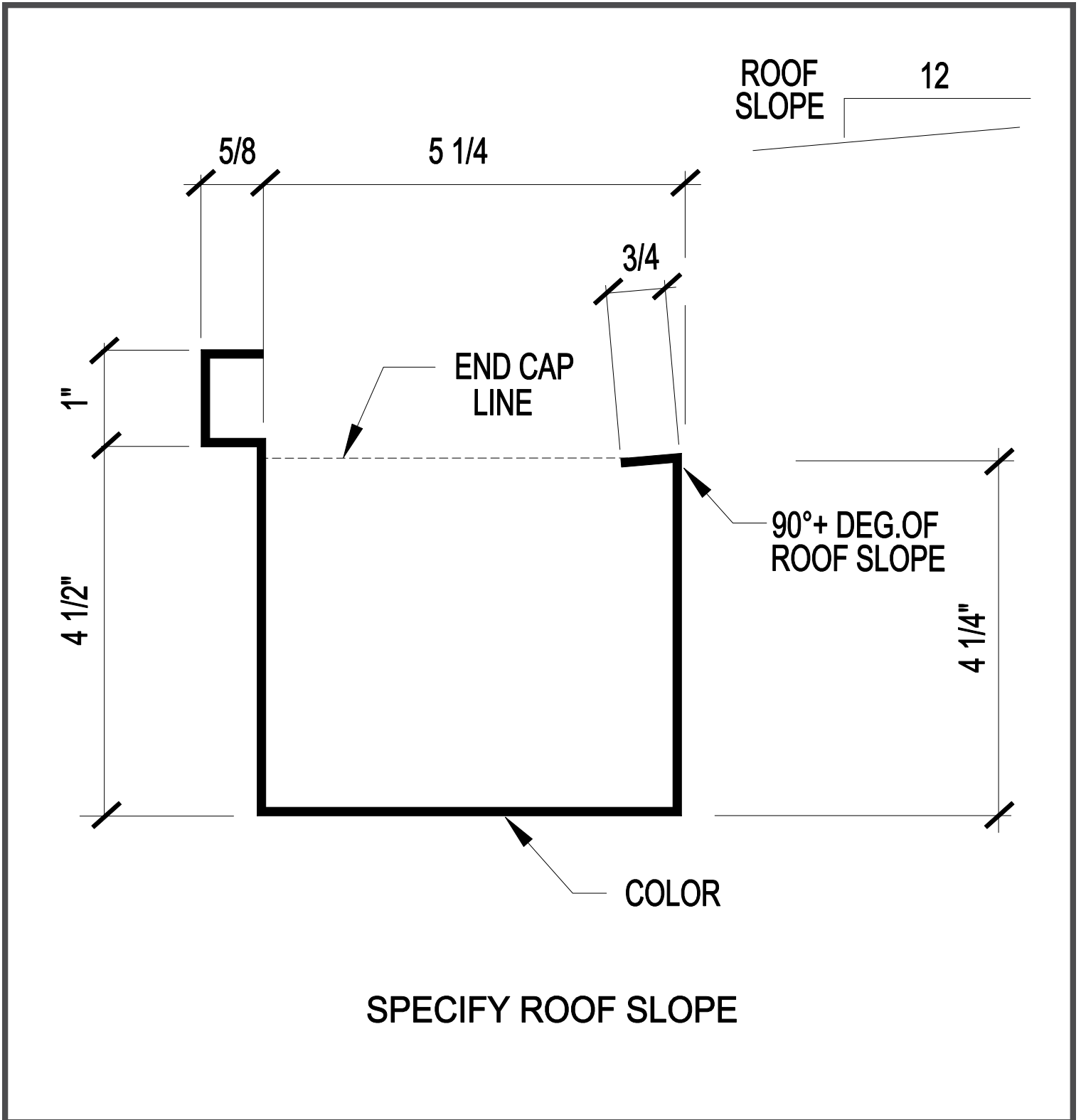
VALLEY TRIM
EXTENDED LOW/UTILITY



Angle in Degrees Required

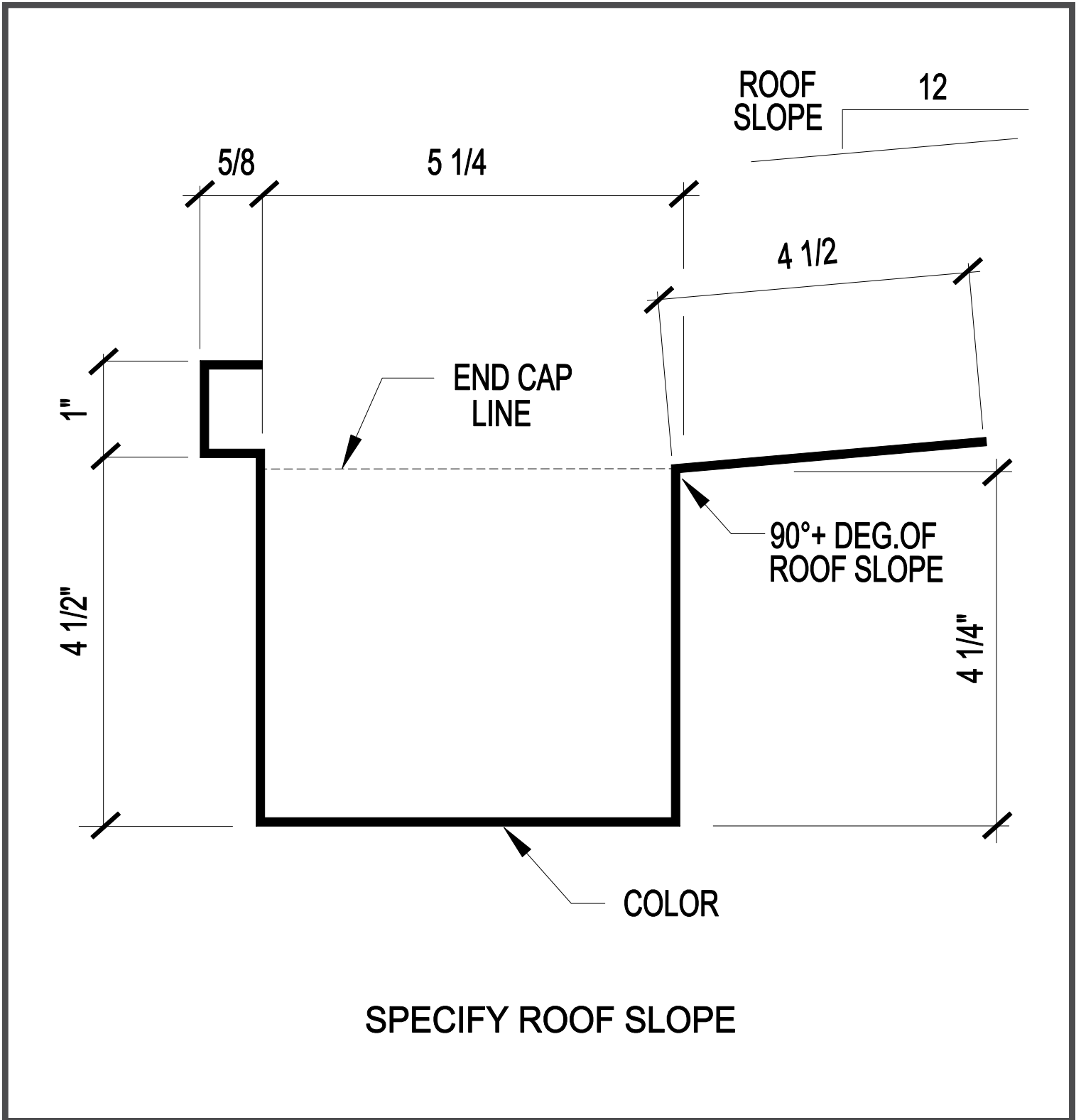
FL-71

BOX HANG ON GUTTER ("PBR" PANEL)



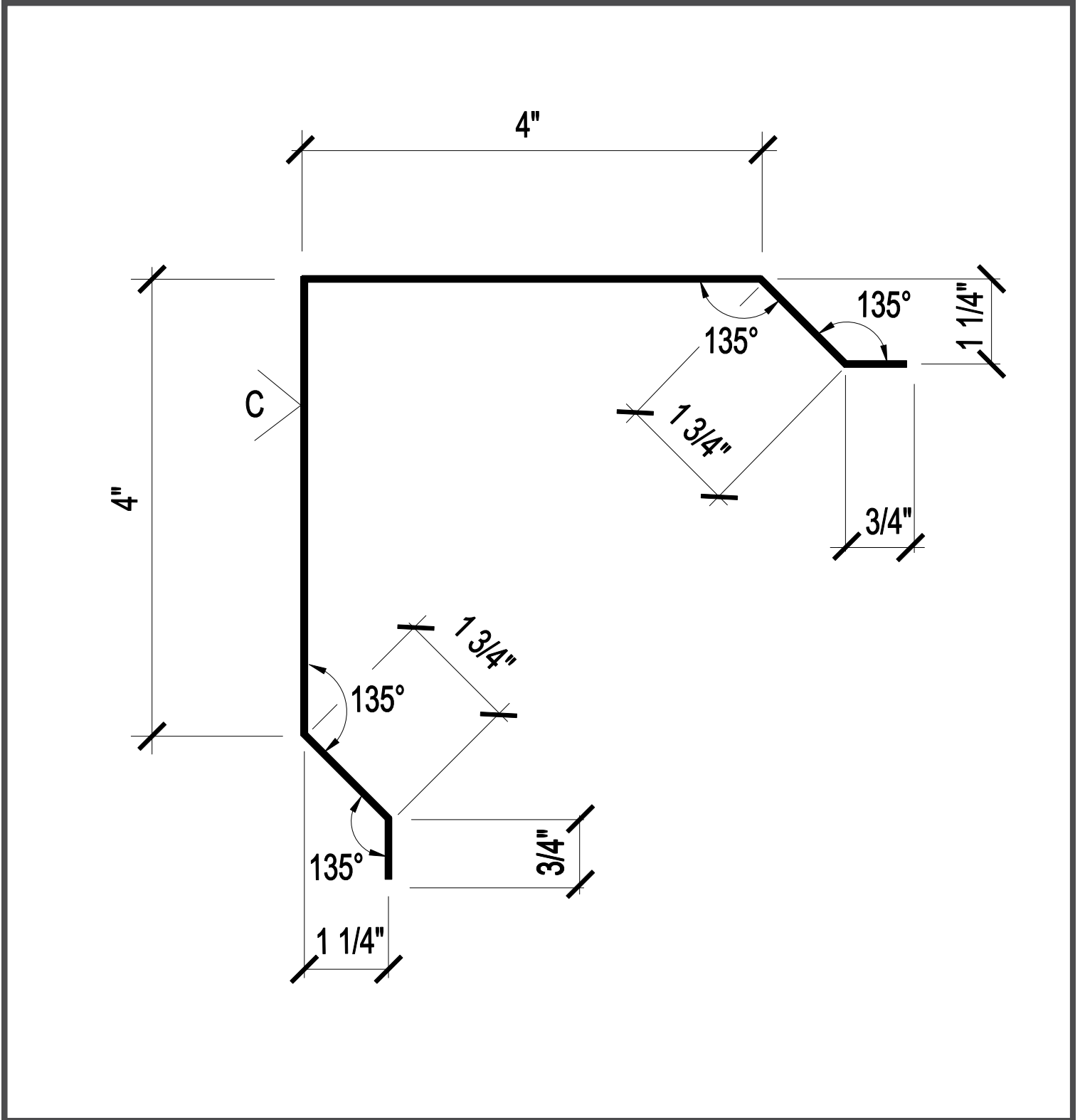
FL-72

BOX GUTTER
("PBR" PANEL)



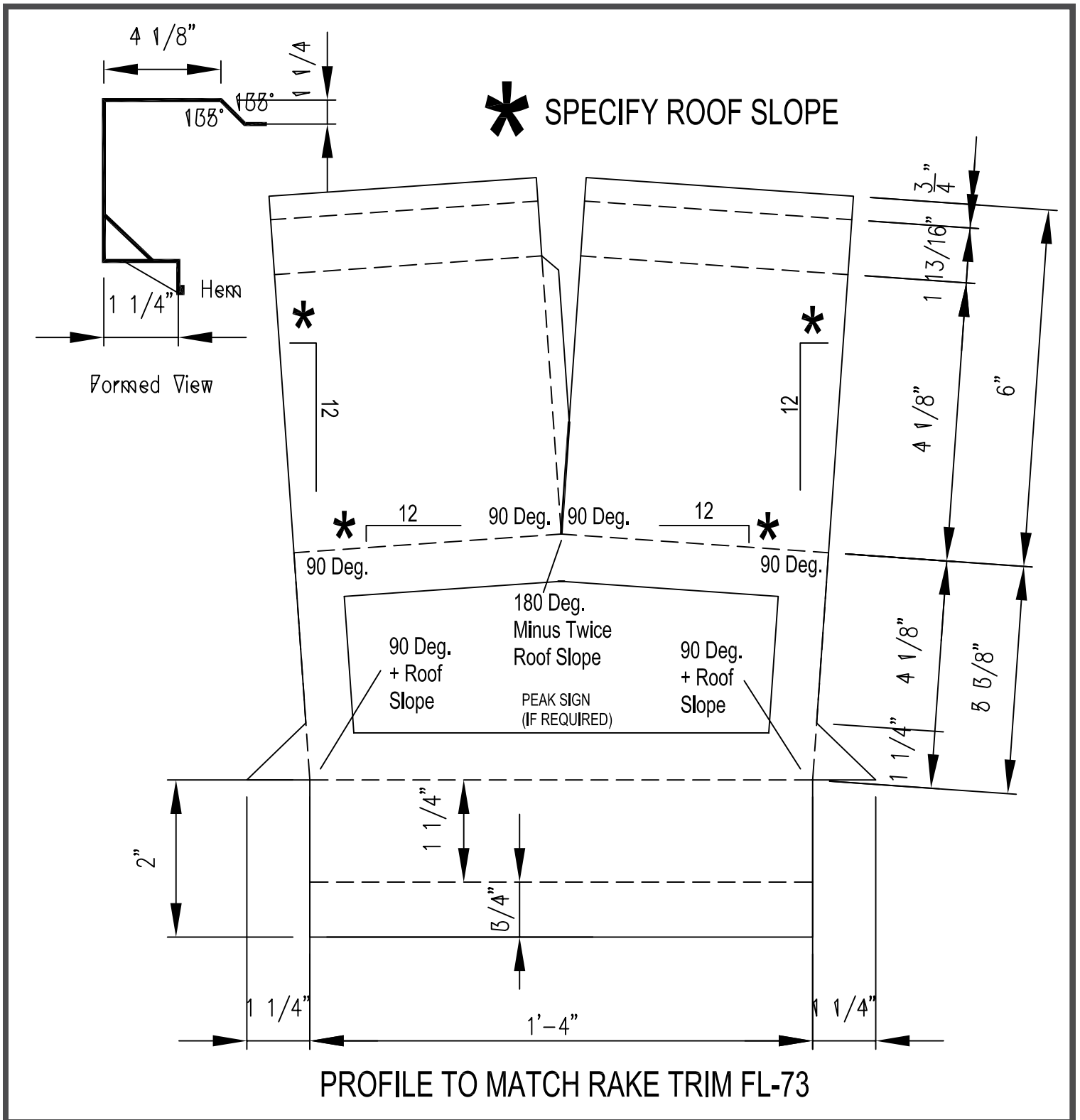
FL-73

CORNER AND RAKE TRIM
("PBR", "PBU" PANEL DIAMONDBACK)



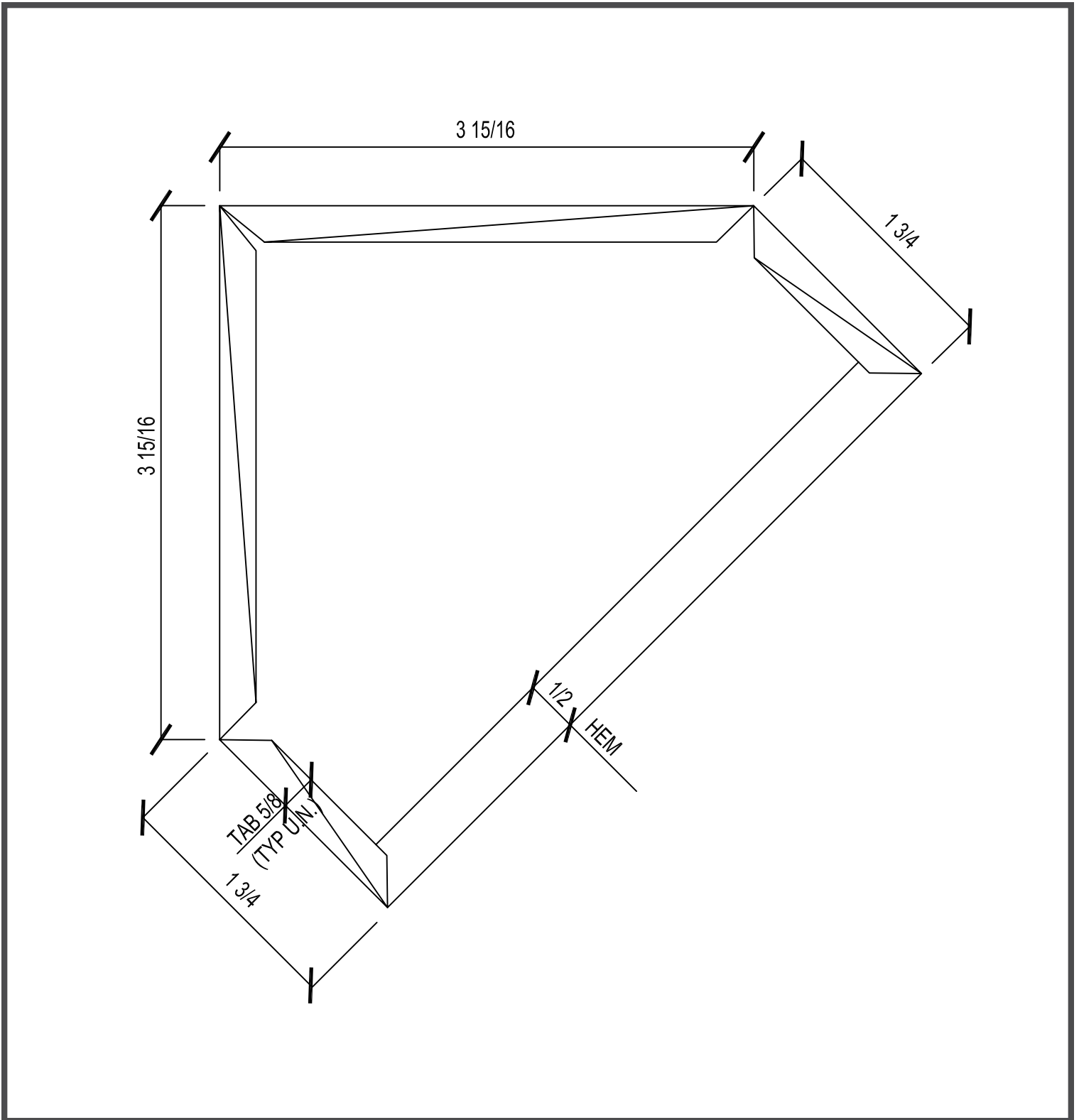
FL-74

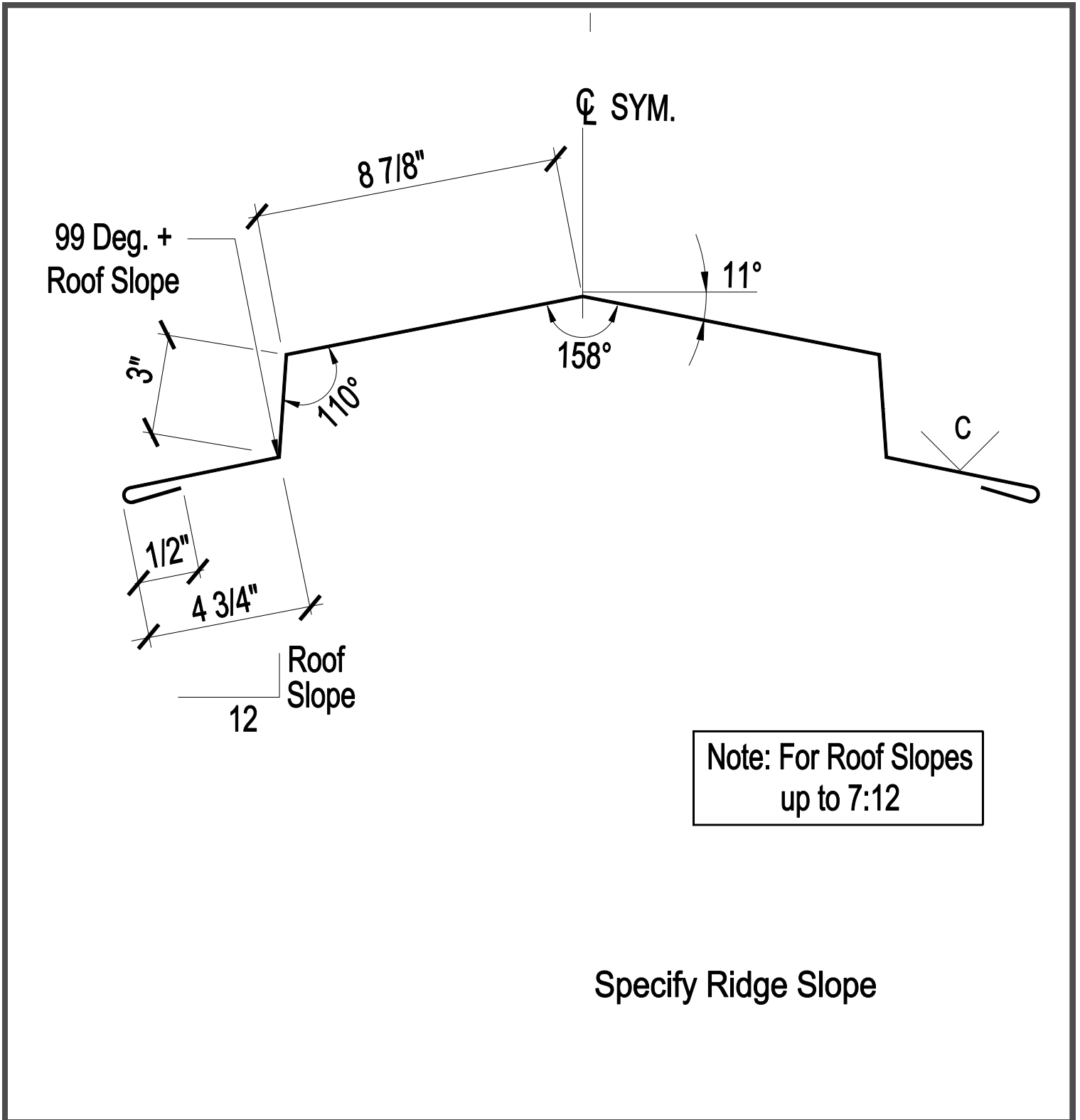
PEAK BOX (DIAMONDBACK) ("PBR" PANEL)

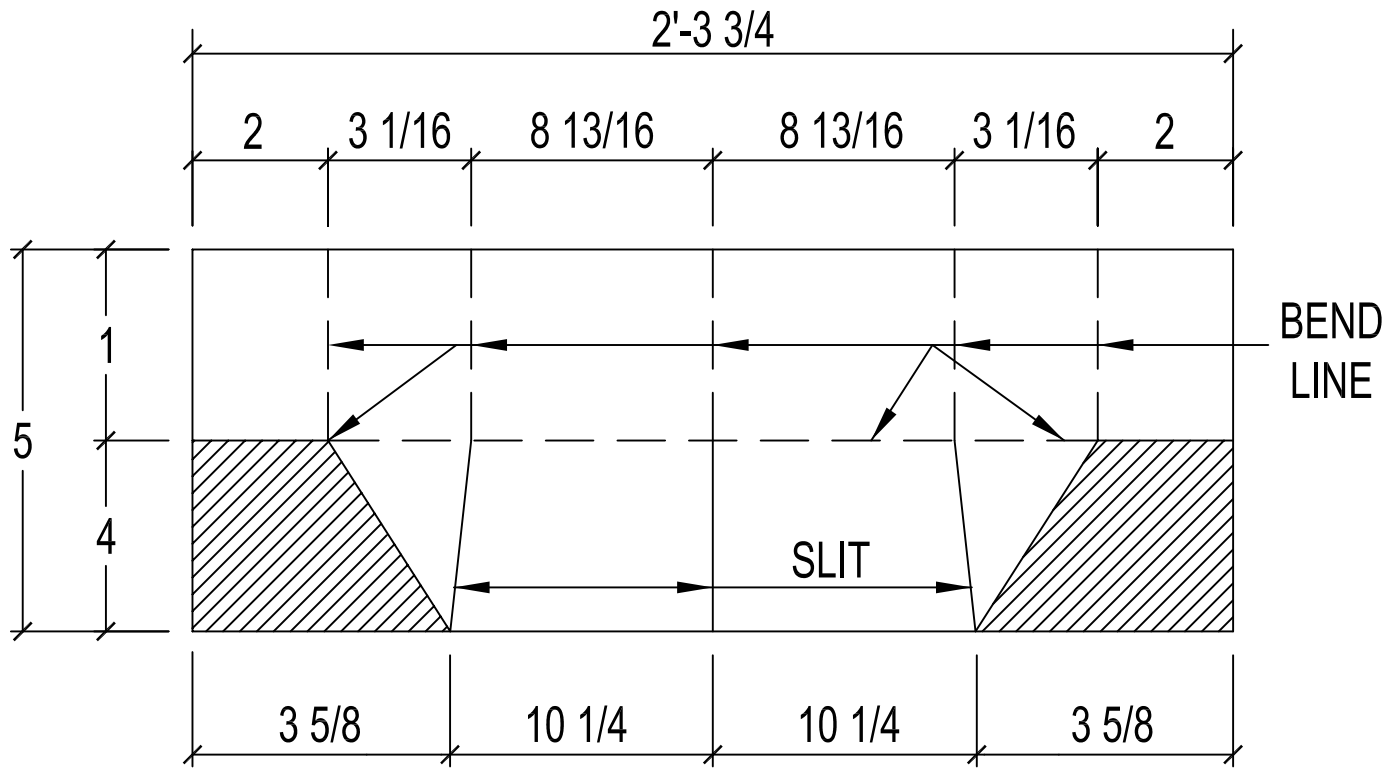


FL-75

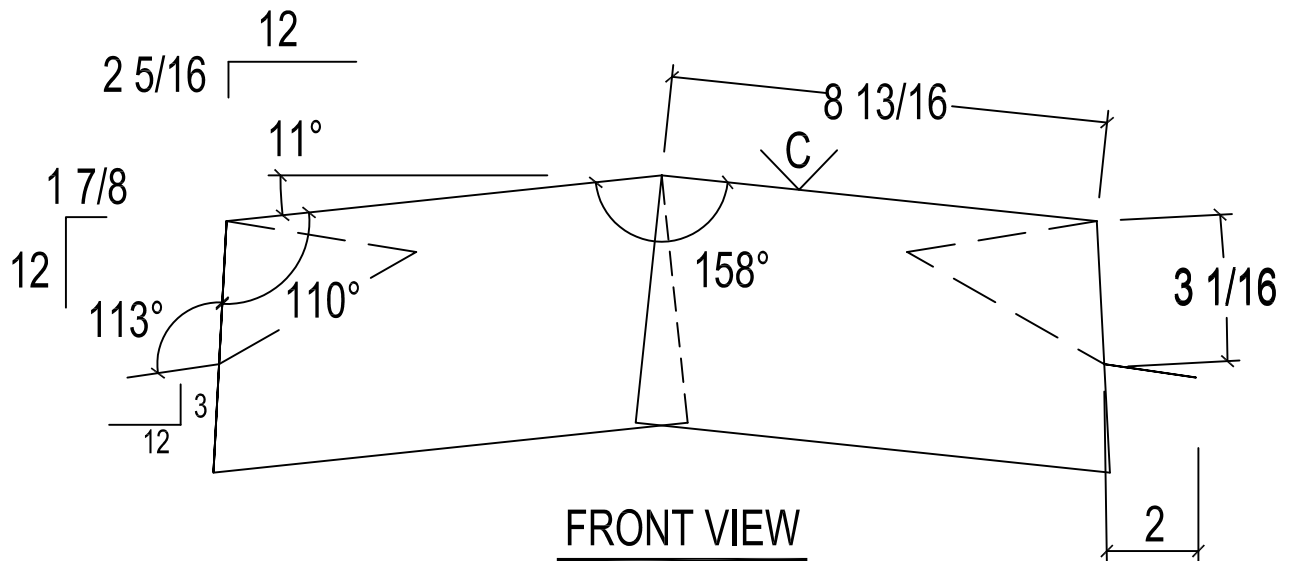
RAKE END CAP
("PBU" & "PBR" PANEL DIAMONDBACK)







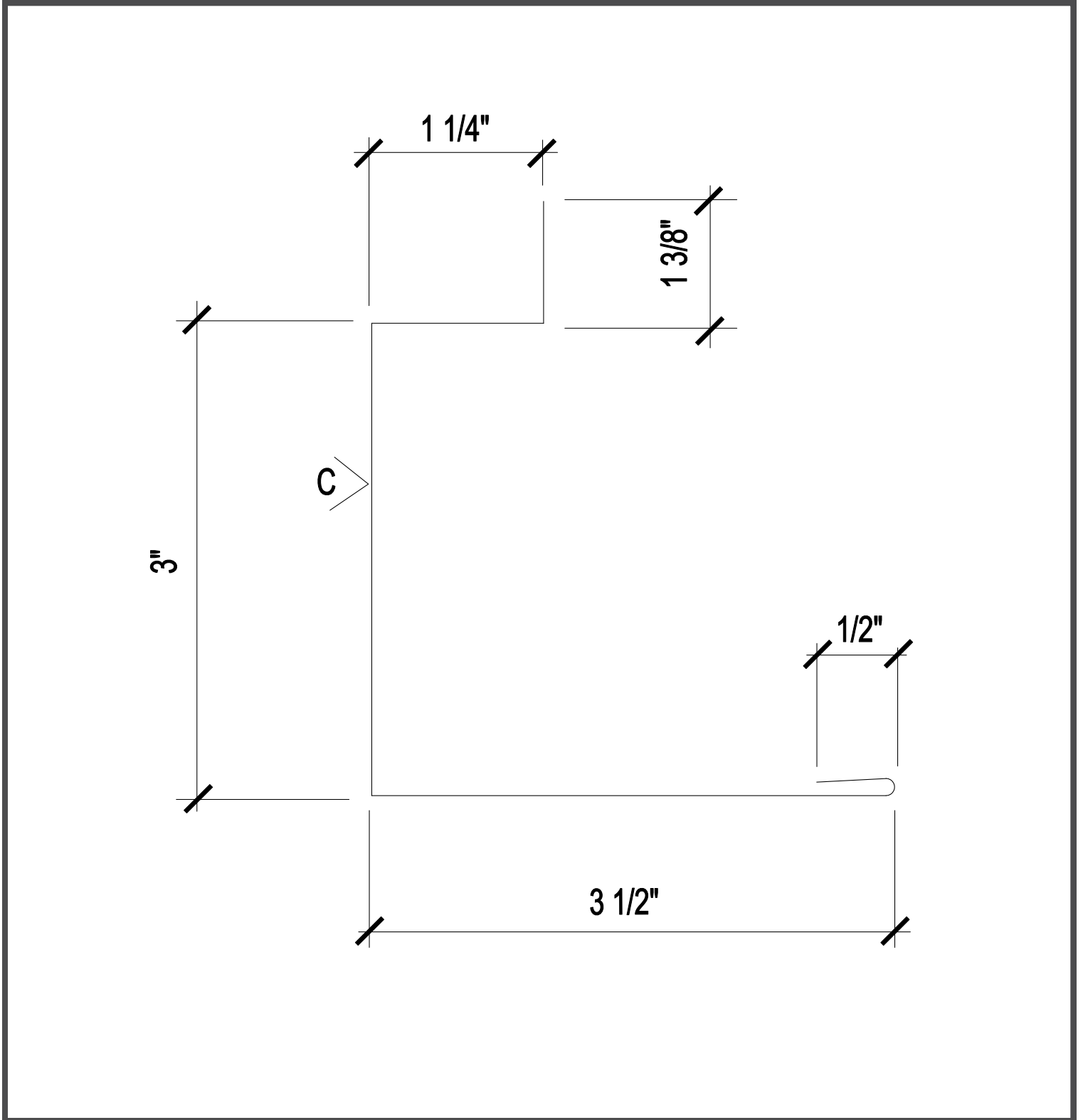
FLAT



FRONT VIEW

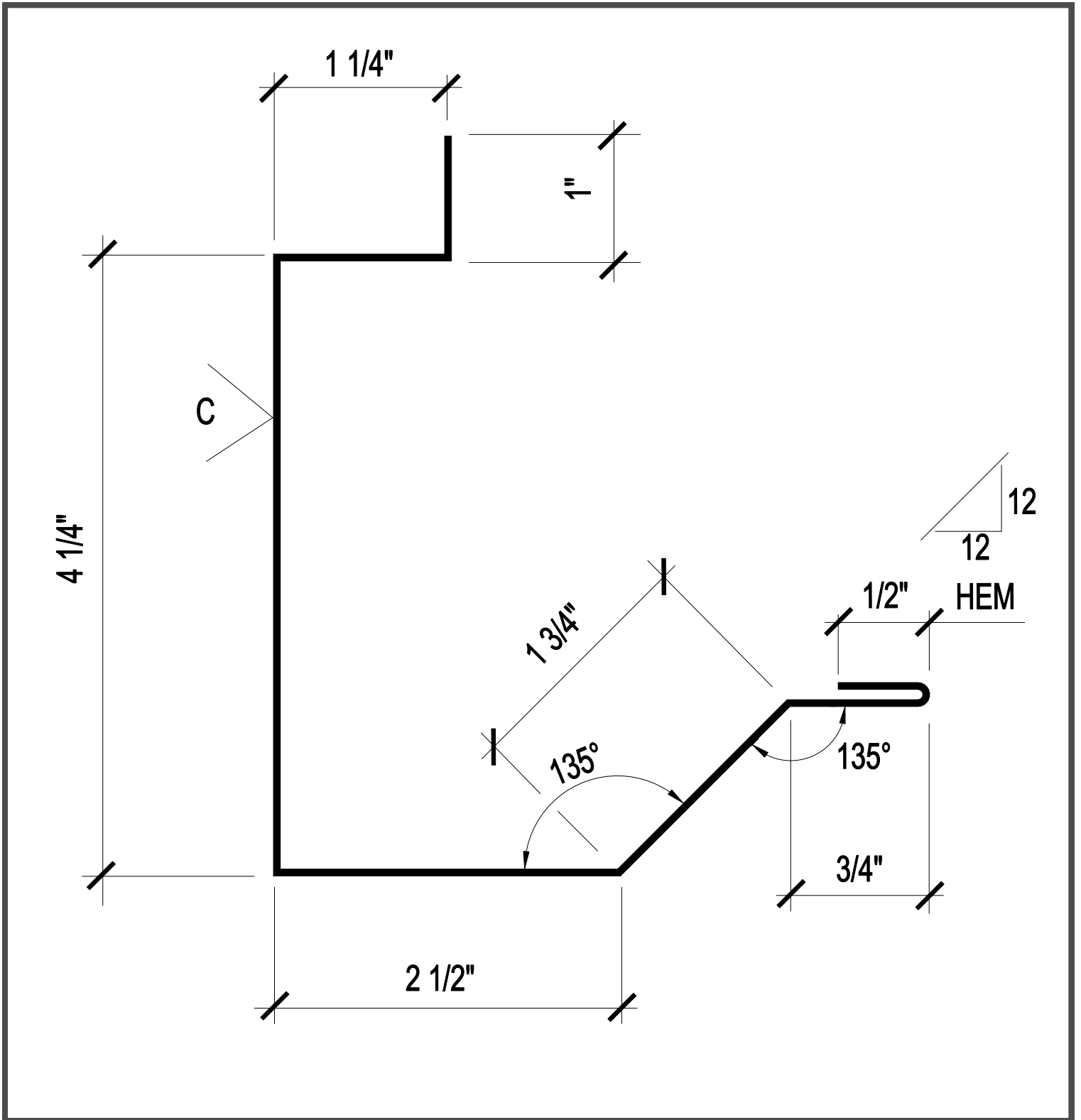
FL-78

RAKE SPACER TRIM W/O SOFFIT
("PBR" PANEL)



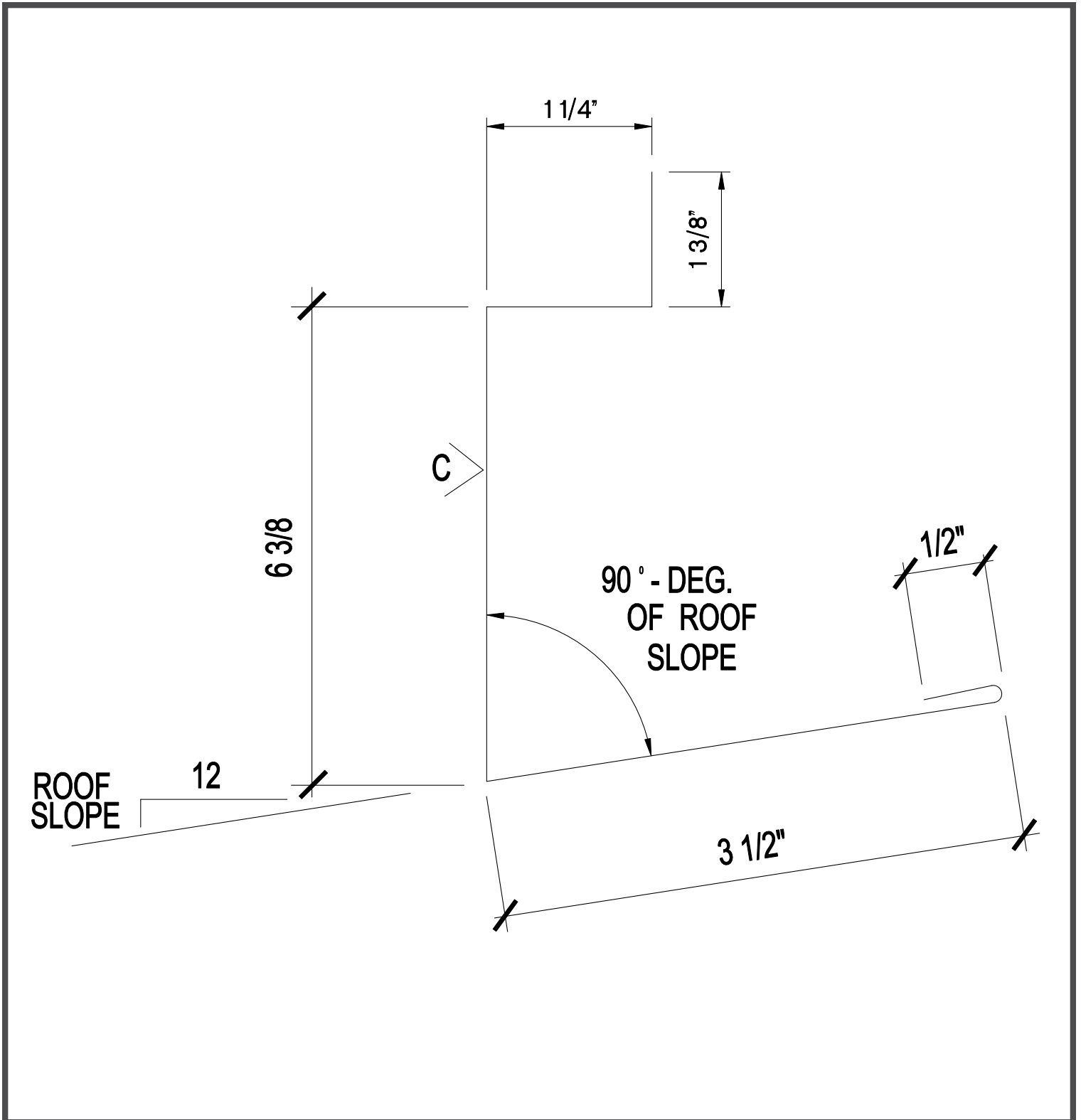
FL-79

RAKE SPACER TRIM WITH SOFFIT
("PBR" PANEL)



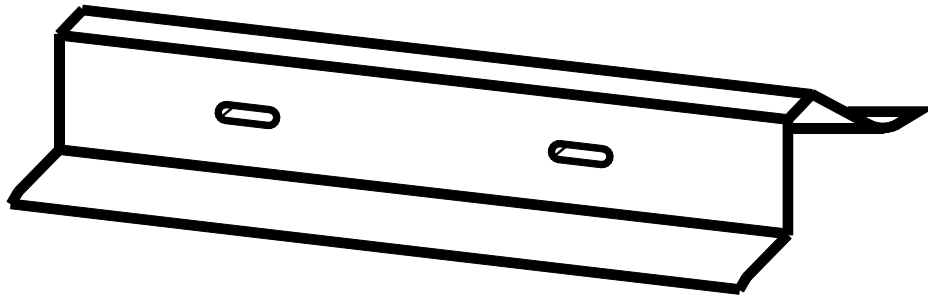
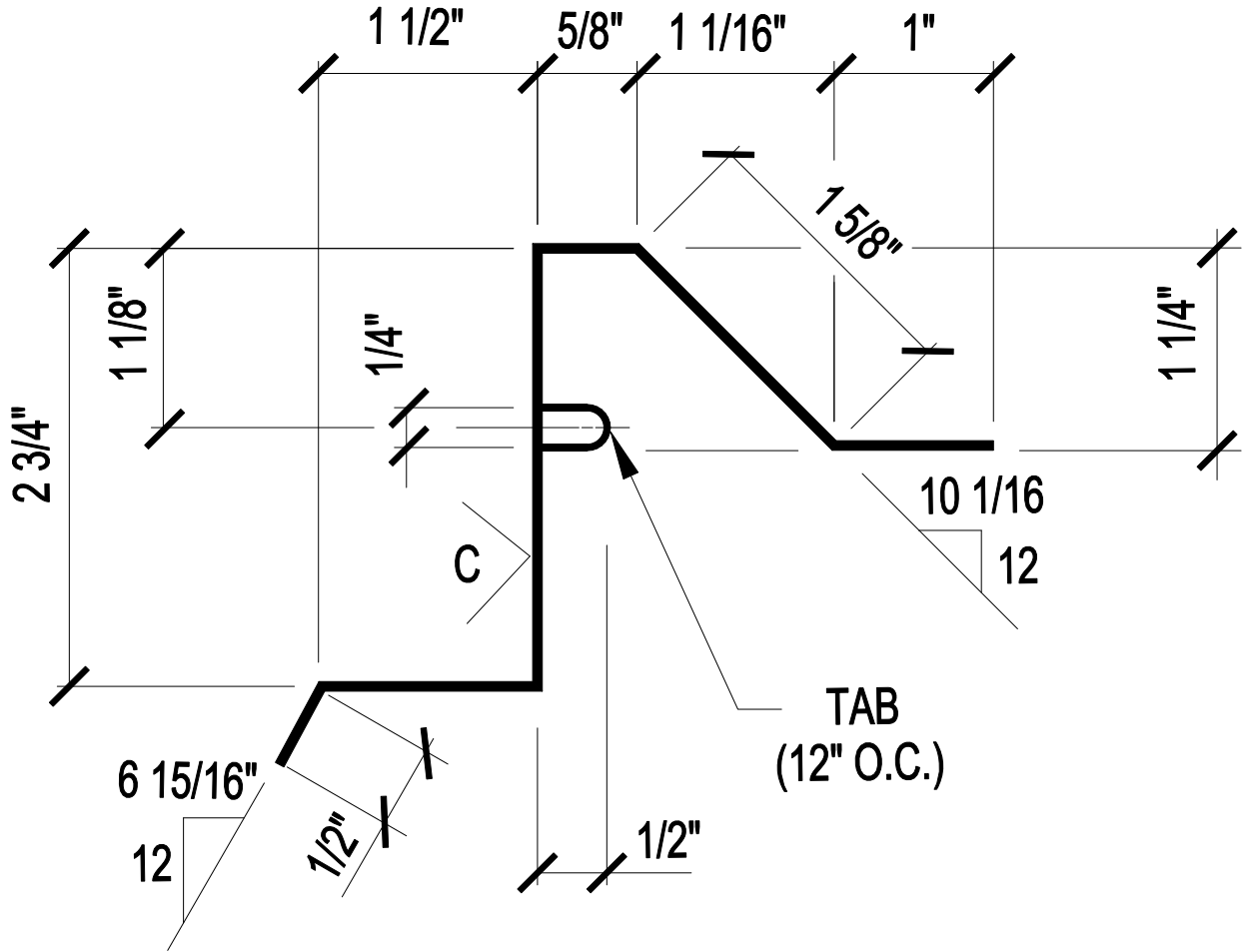
FL-80

EAVE SPACER TRIM
(FOR 8" EAVE STRUT)



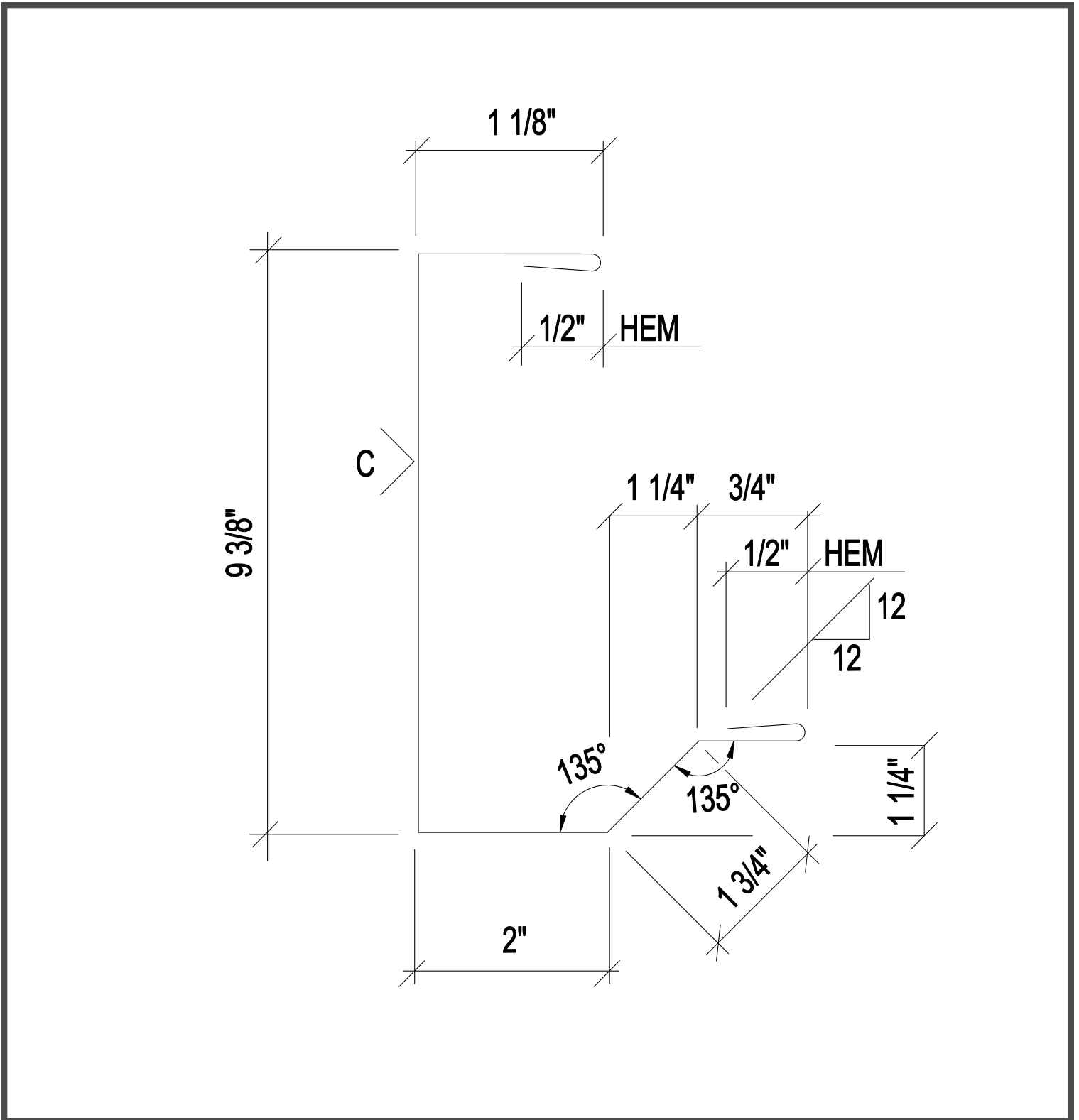
FL-81

FORMED BASE TRIM
("PBR", "A" PANEL)



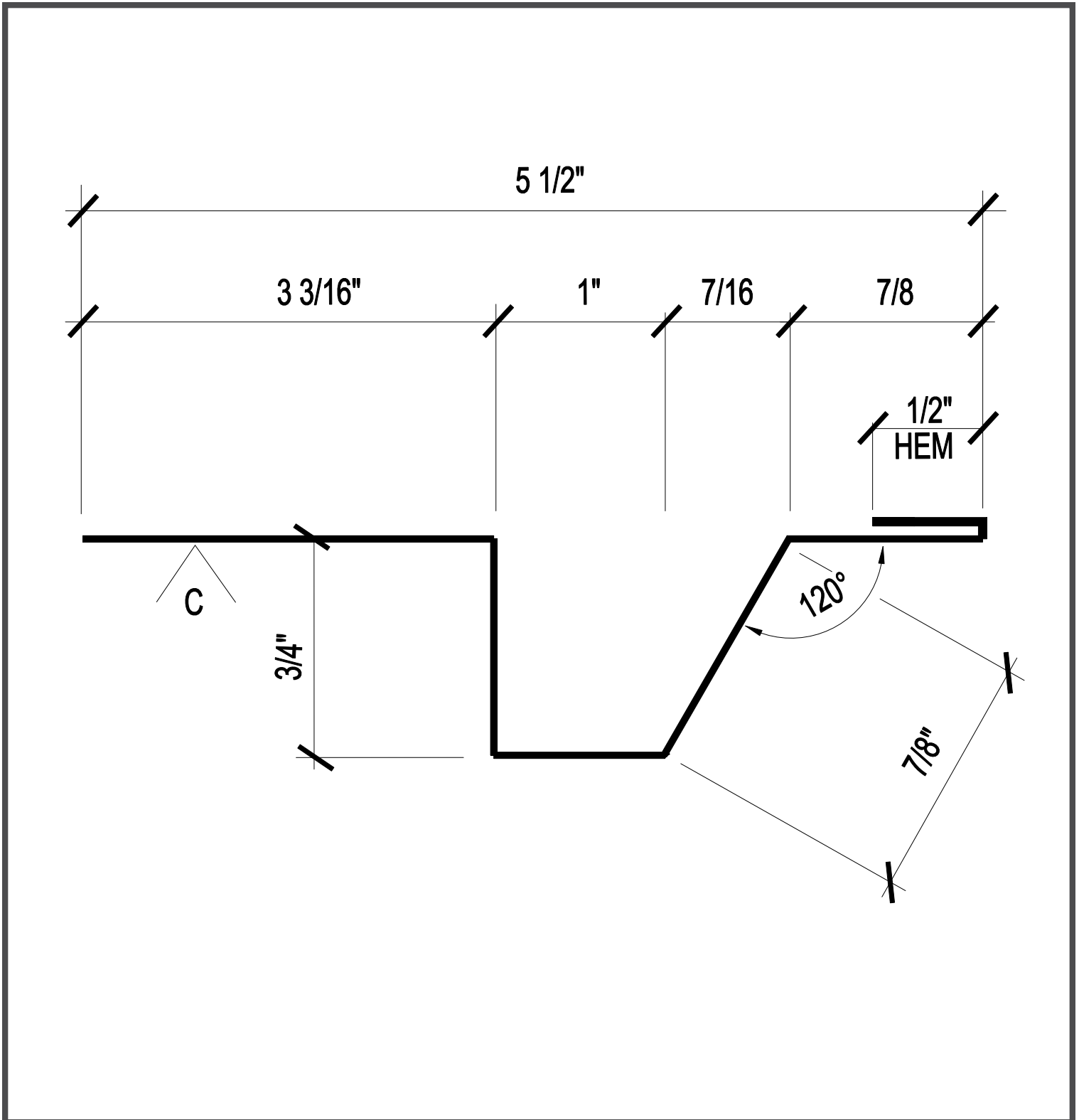
FL-82

CORNER TRIM (OPEN WALL)
("PBR" PANEL)



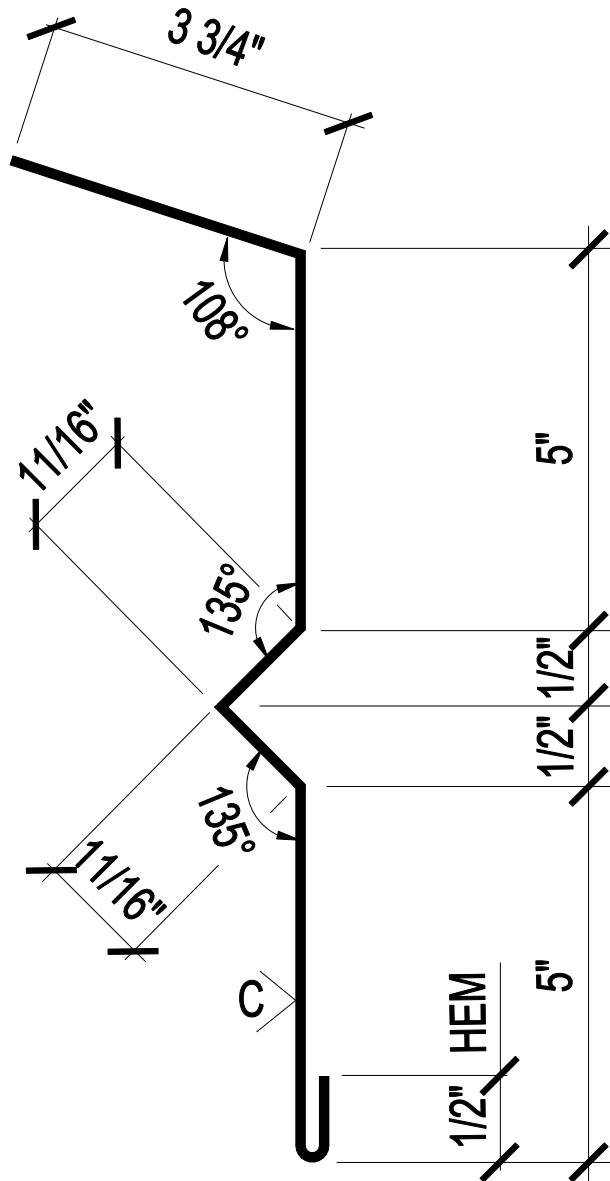
FL-83

STARTER TRIM
(REVERSE ROLL PBU PANEL)



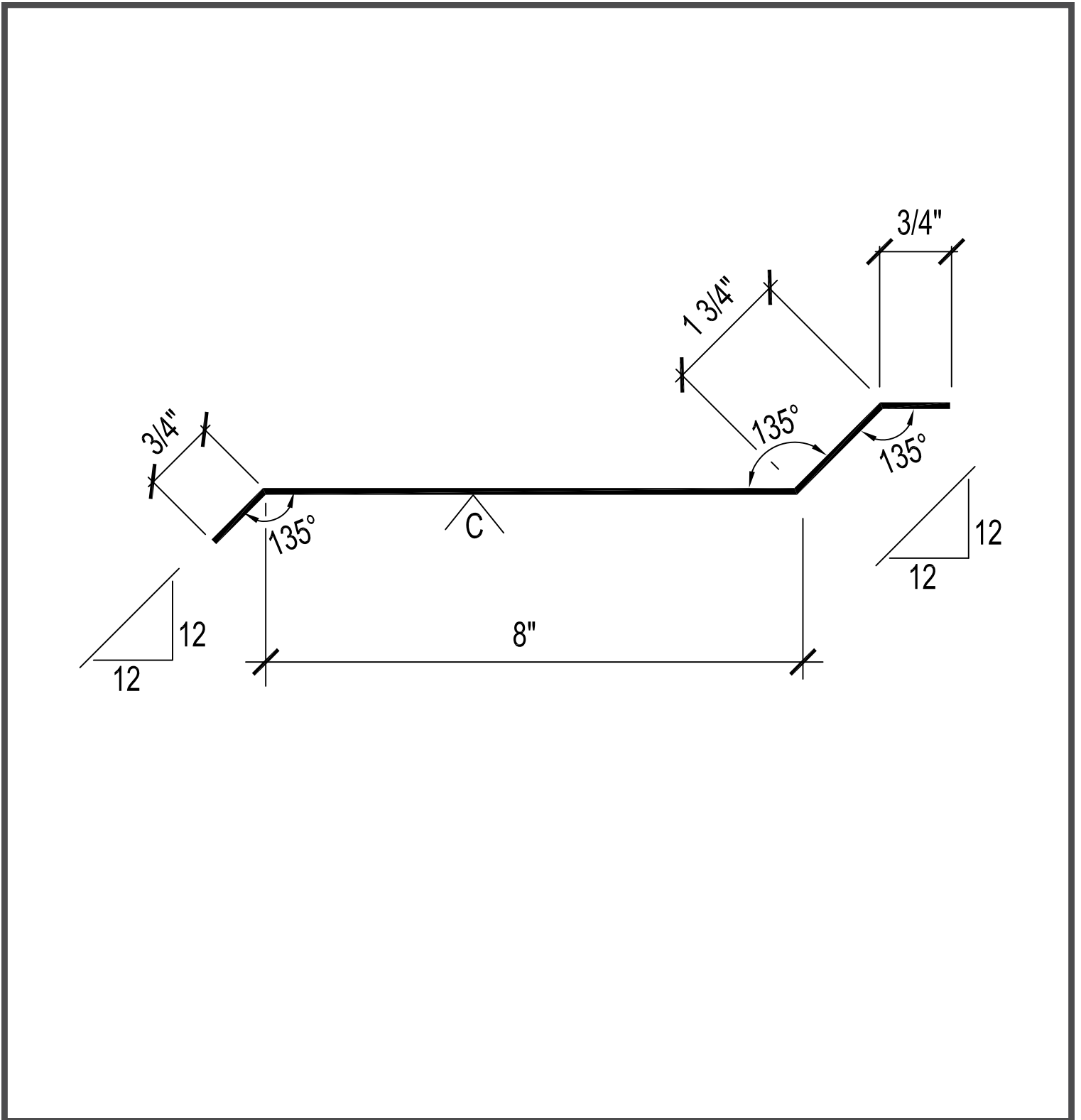
FL-84

PARTITION TRIM (ROOF) FOR 8" PURLINS
(ALL PANELS)



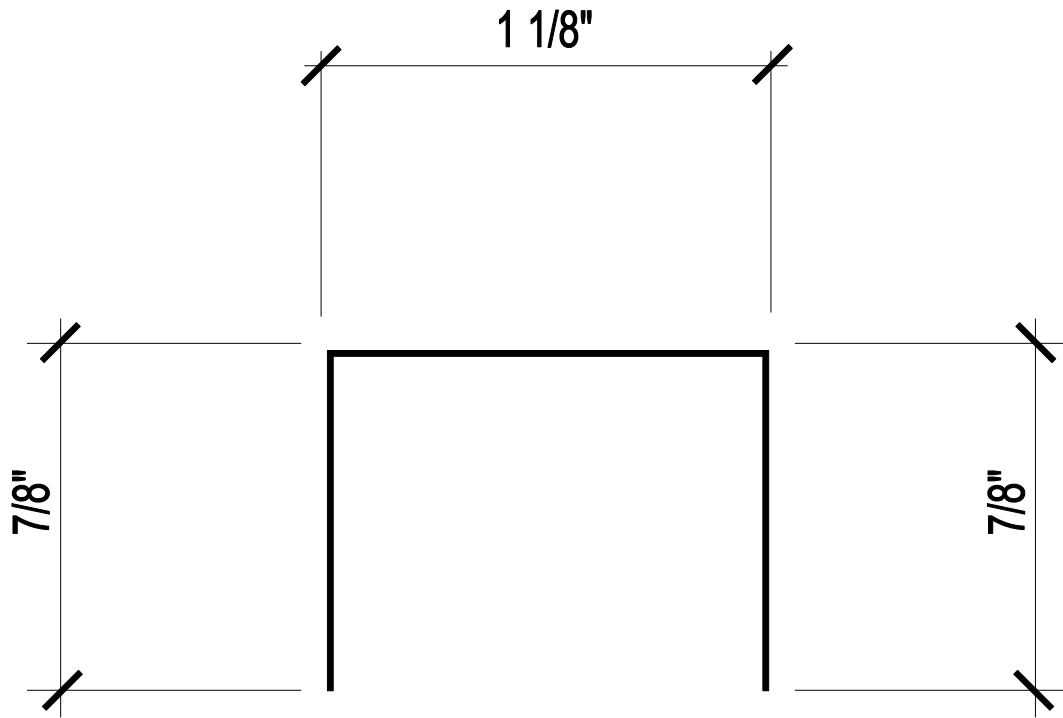
FL-85

PARTITION TRIM (WALL) 8" GIRTS
("PBR", "A" PANEL)



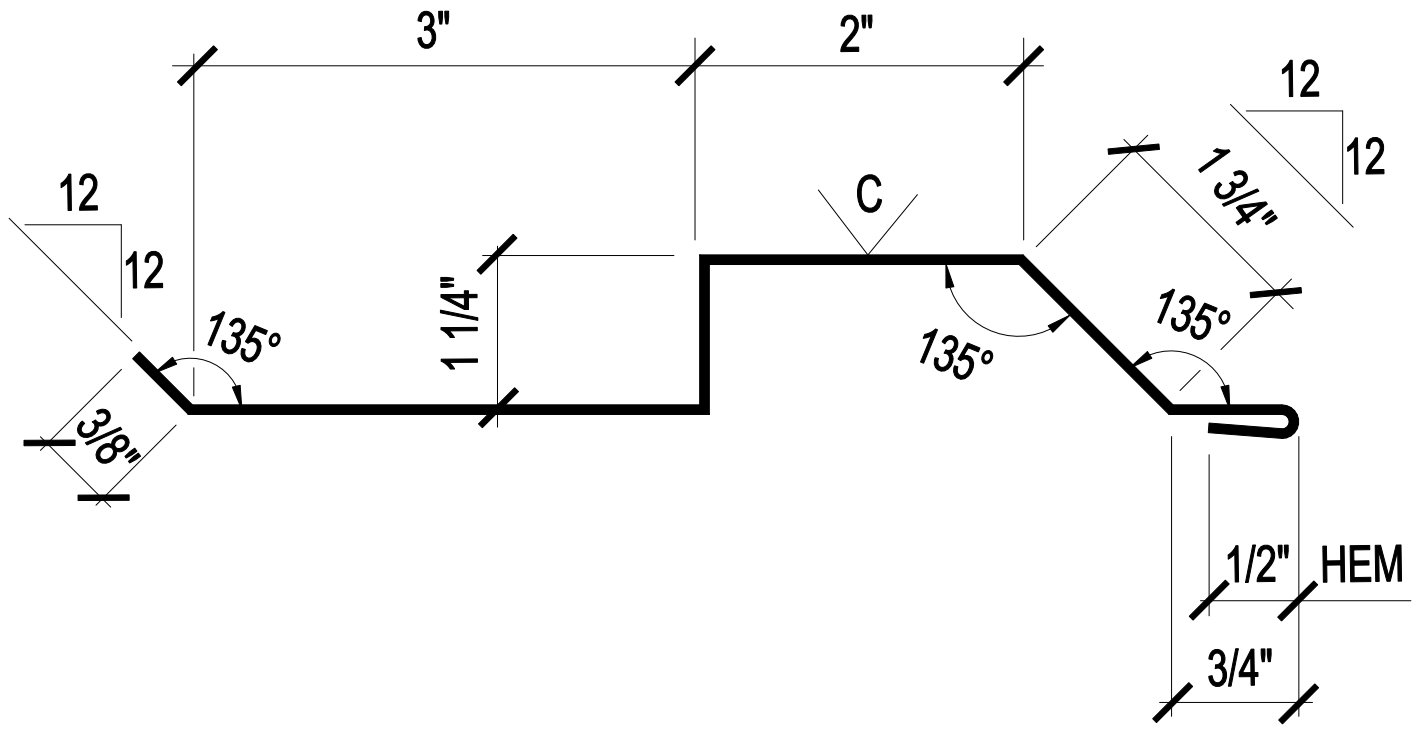
FL-86

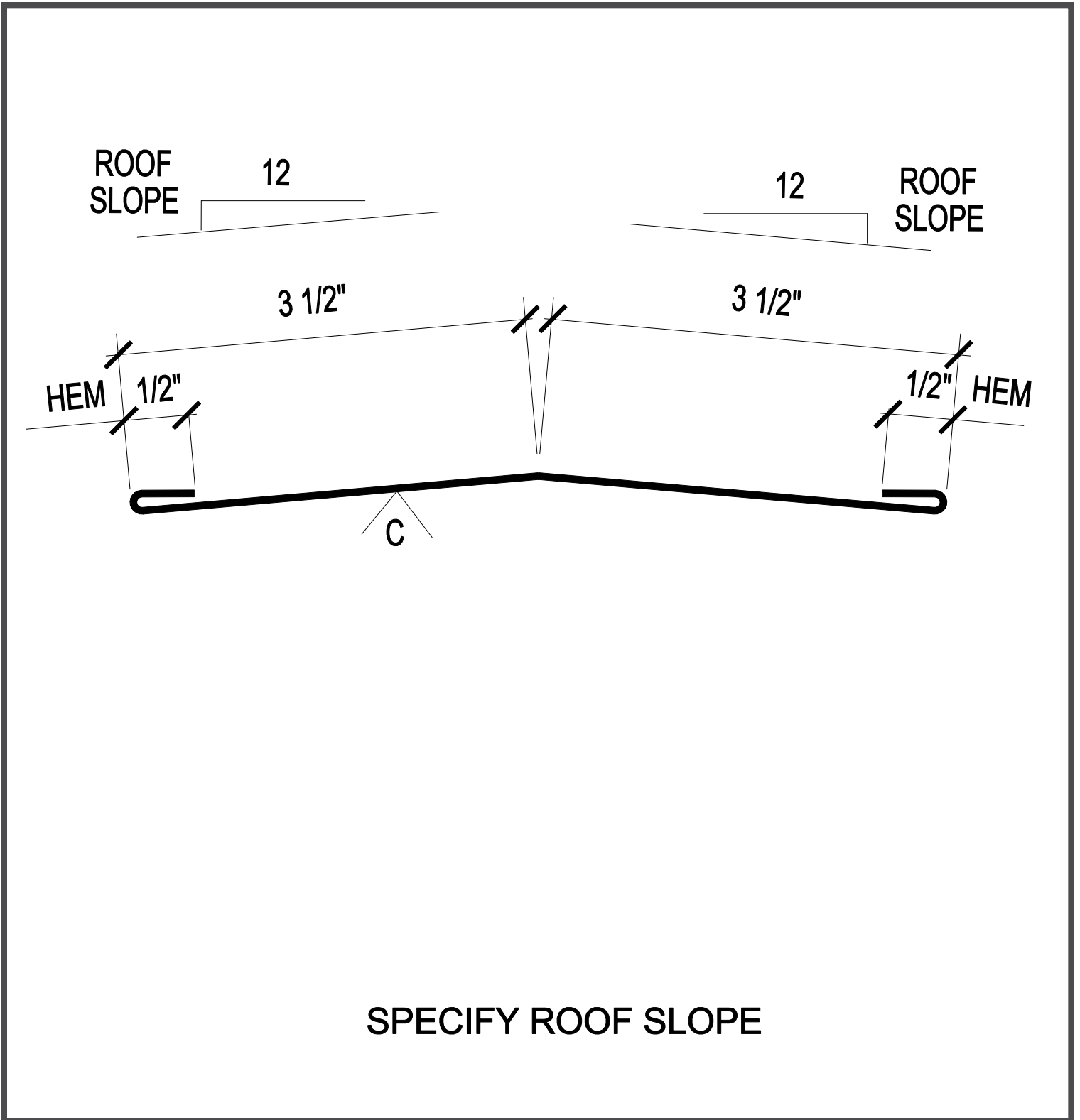
WINDOW JAMB STIFFENER
("PBR" PANEL)



FL-87

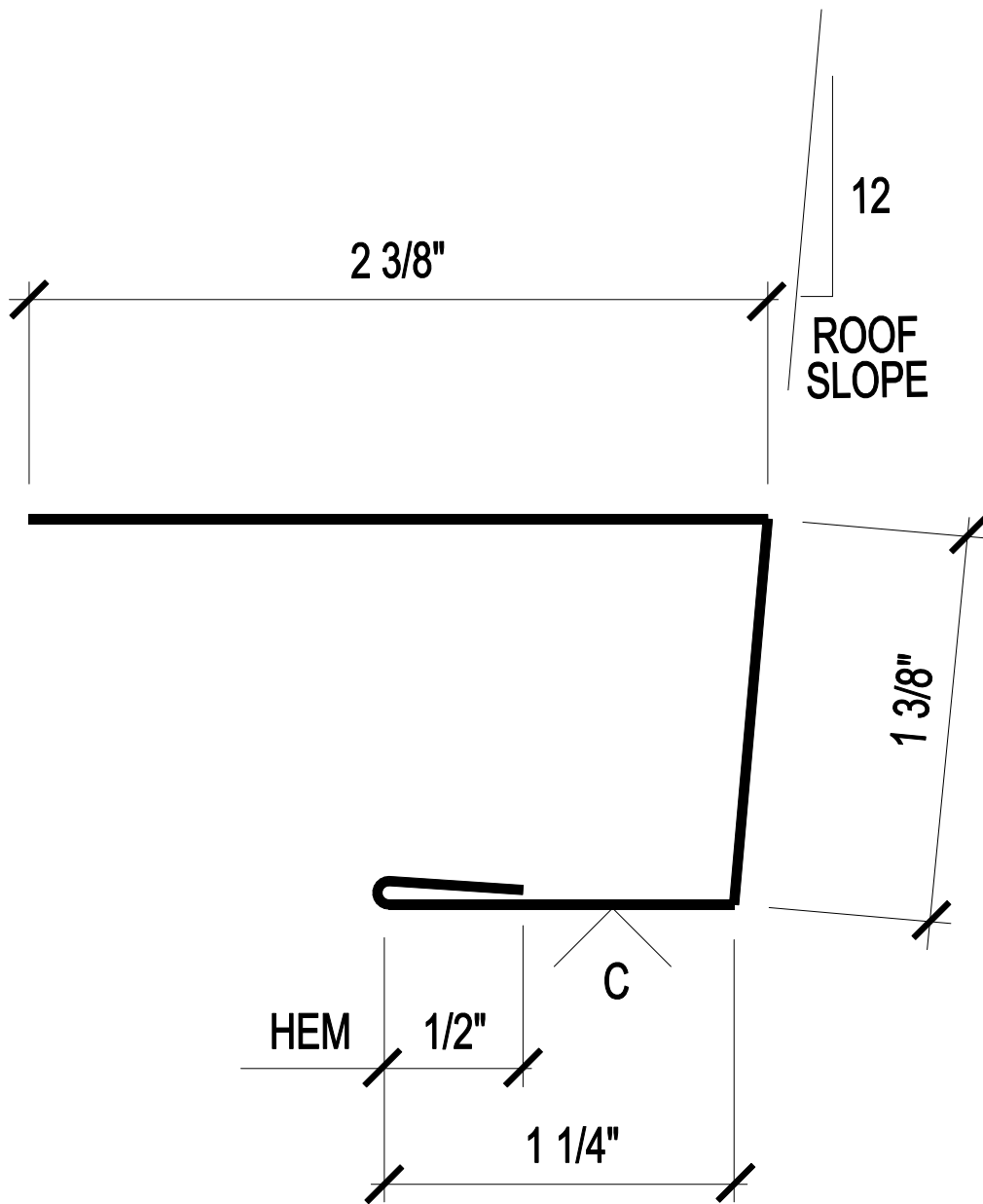
LINER CONVERSION TRIM
("PBR", PANEL)





FL-89

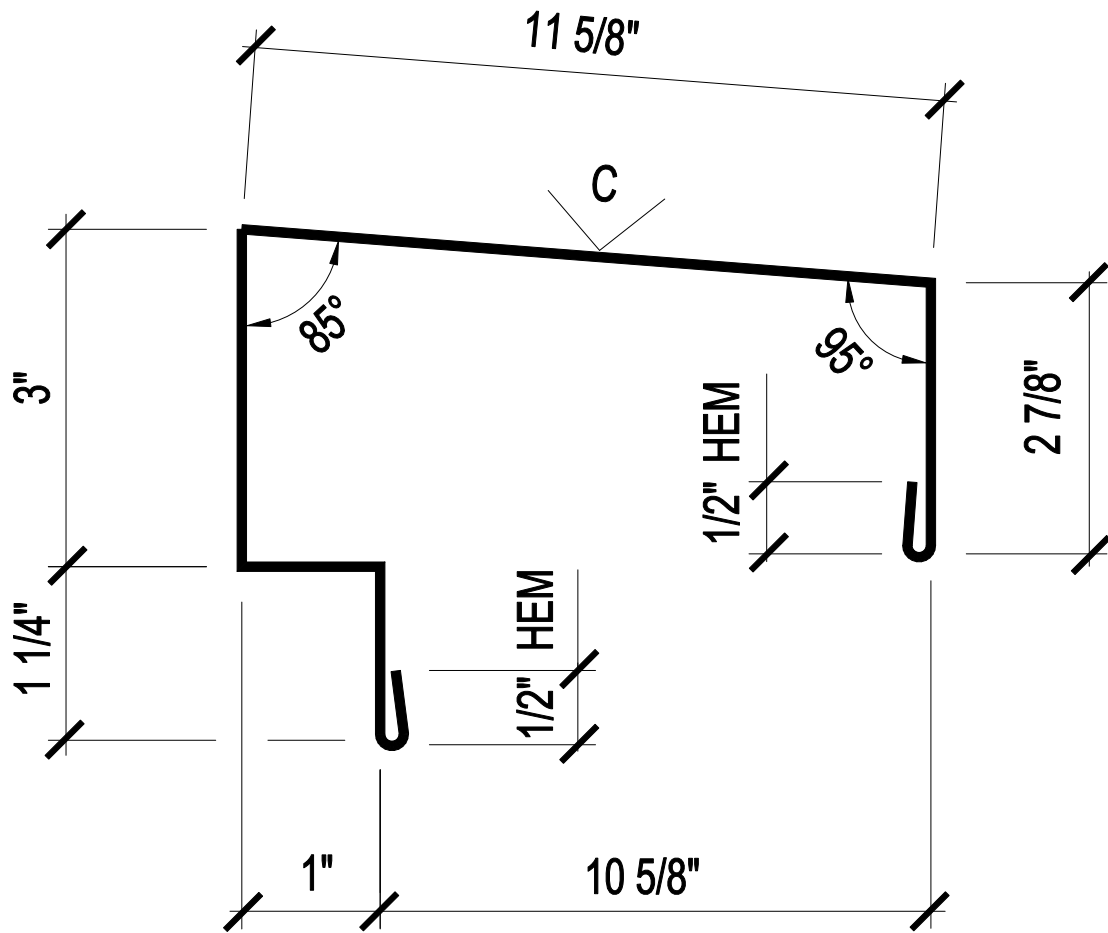
BEVELED CAP TRIM
("PBR" PANEL)



SPECIFY ROOF SLOPE

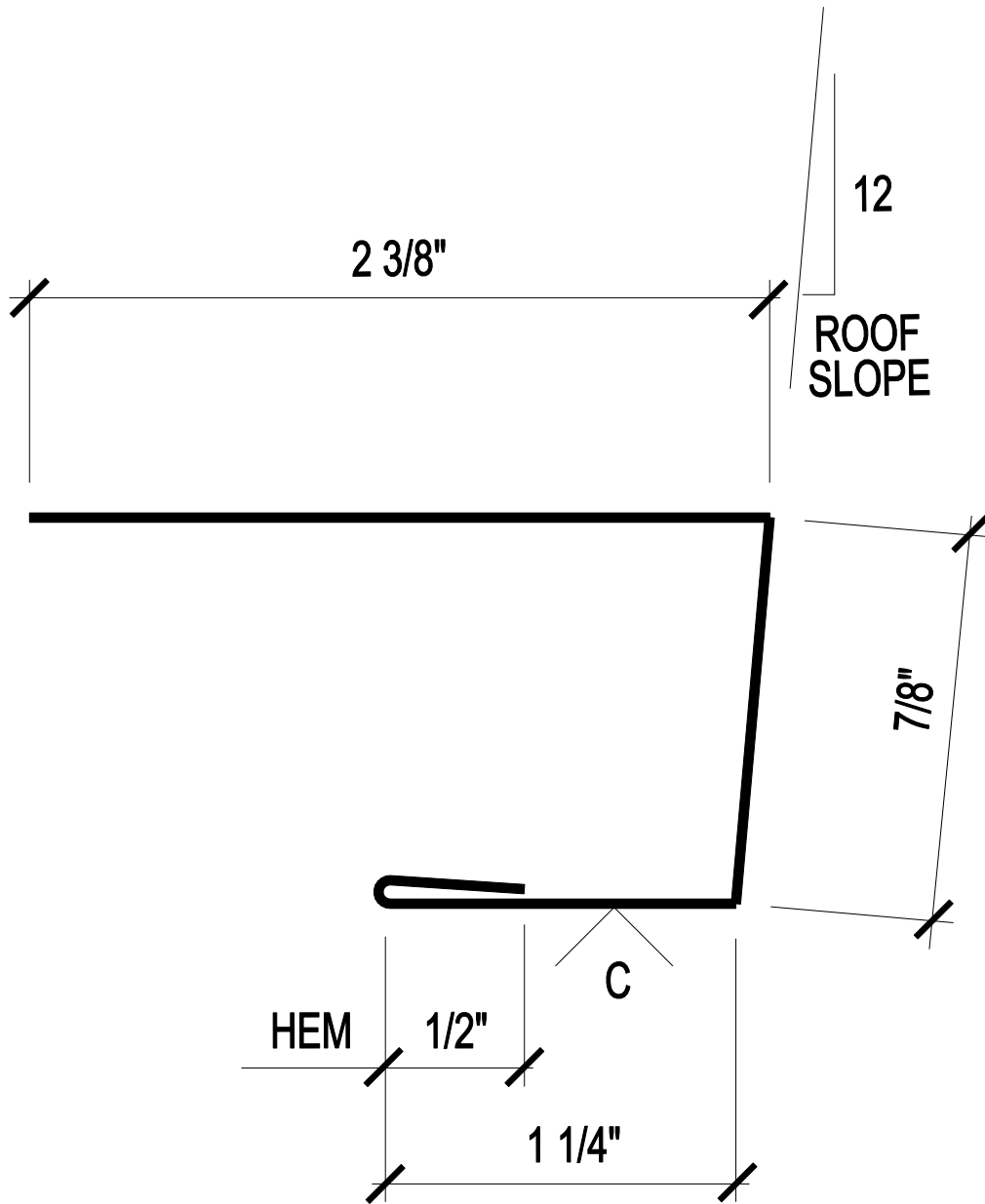
FL-90

FASCIA CAP TRIM
(8" CEE W/"R" FASCIA PANEL & "R" BACKSHEET)
("PBR", "A" PANEL)



FL-91

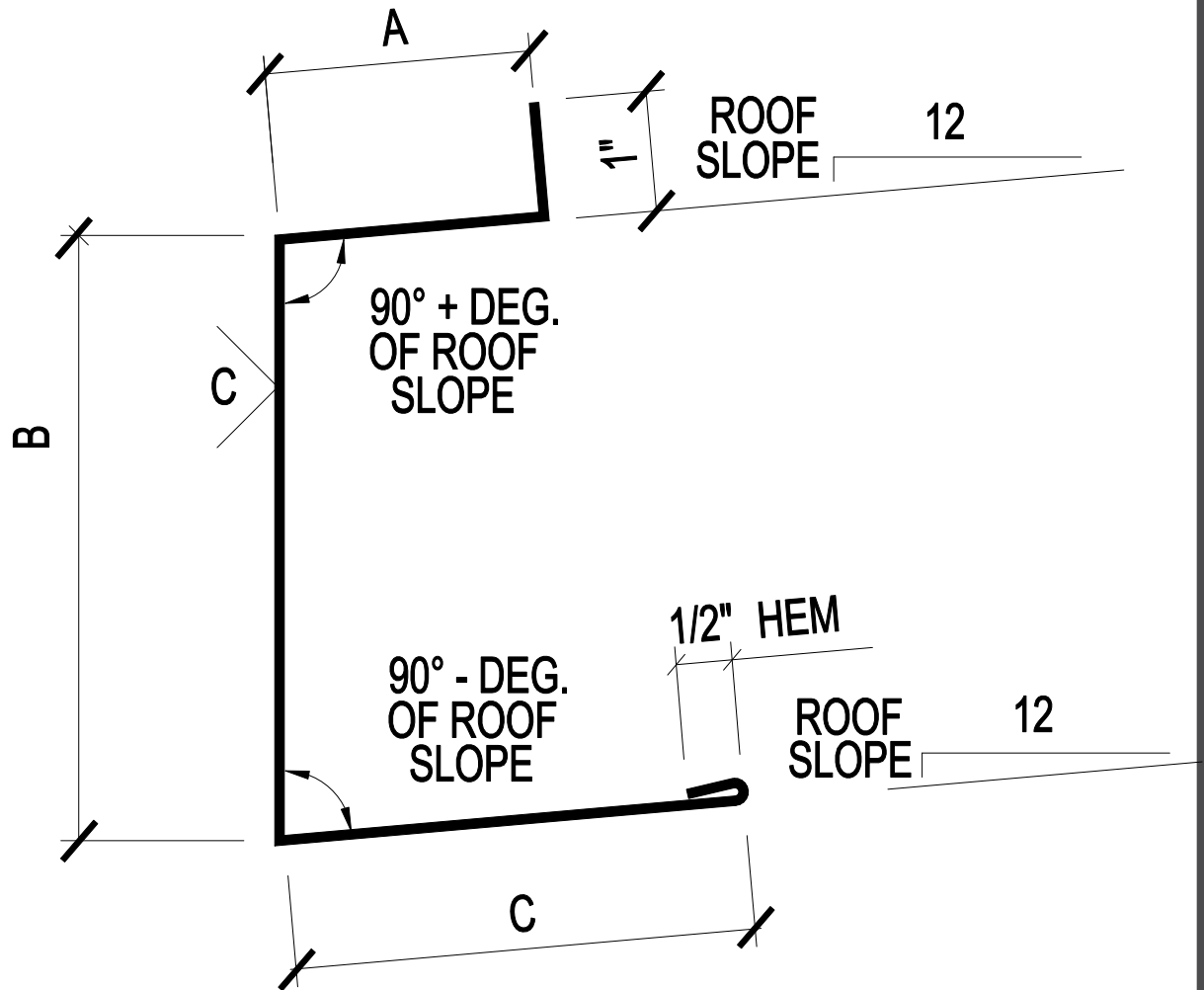
BEVELED CAP TRIM
("PBU" PANEL)



SPECIFY ROOF SLOPE

FL-92

CANOPY EAVE TRIM W/O SOFFIT PANEL
(8" EAVE CHANNEL)

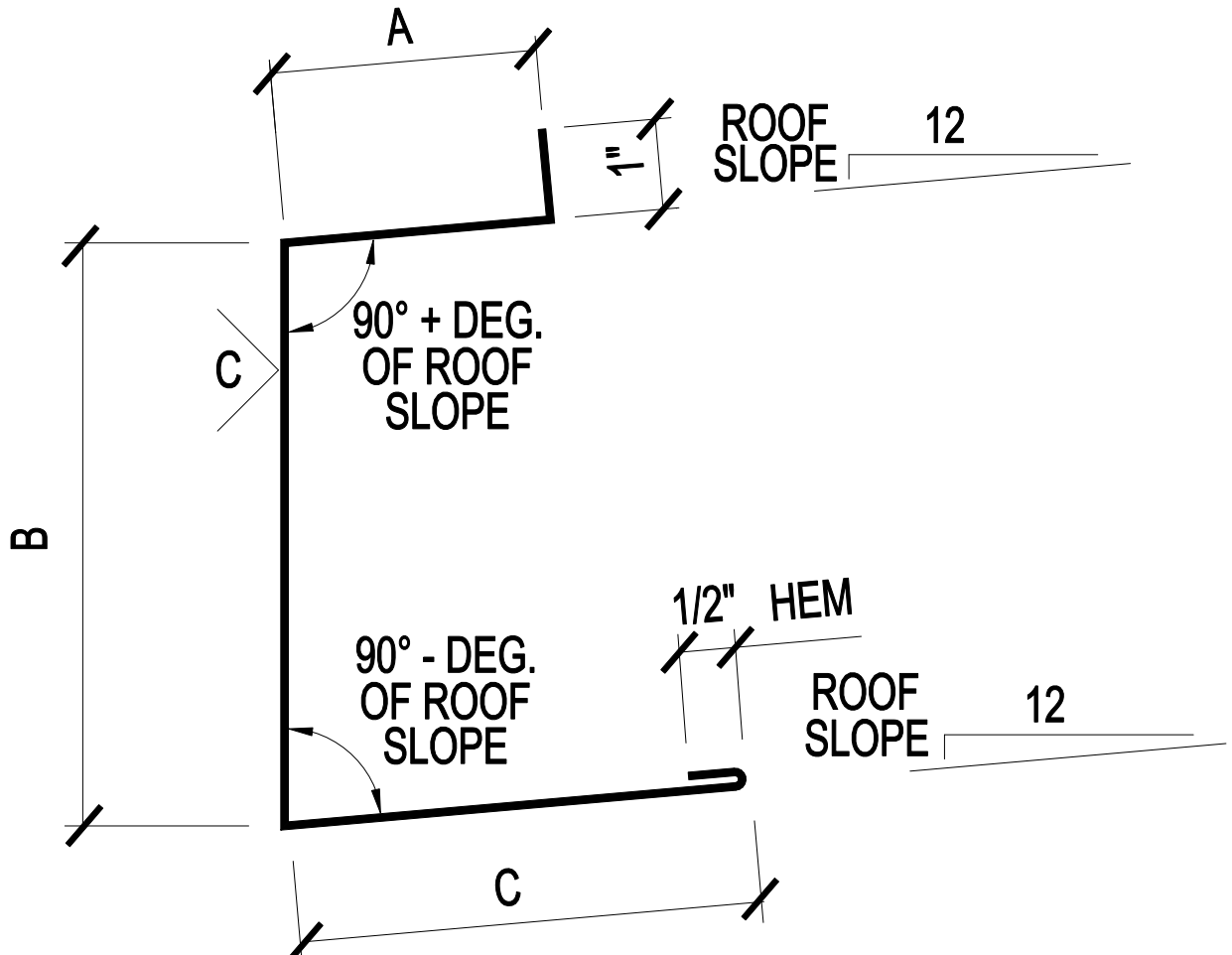


SLOPE CODE	ROOF SLOPE	DIMENSION		
		A	B	C
A	1/2	2 3/4	5	4 3/4
B	1	2 3/4	5	4 3/4
C	2	3	5 1/8	4 3/8
D	3	3 1/4	5 1/4	4
E	4	3 7/16	5 7/16	3 5/8

SPECIFY ROOF SLOPE

FL-93

CANOPY EAVE TRIM W/ "R" SOFFIT PANEL
(8 C 2 1/2" EAVE CHANNEL)

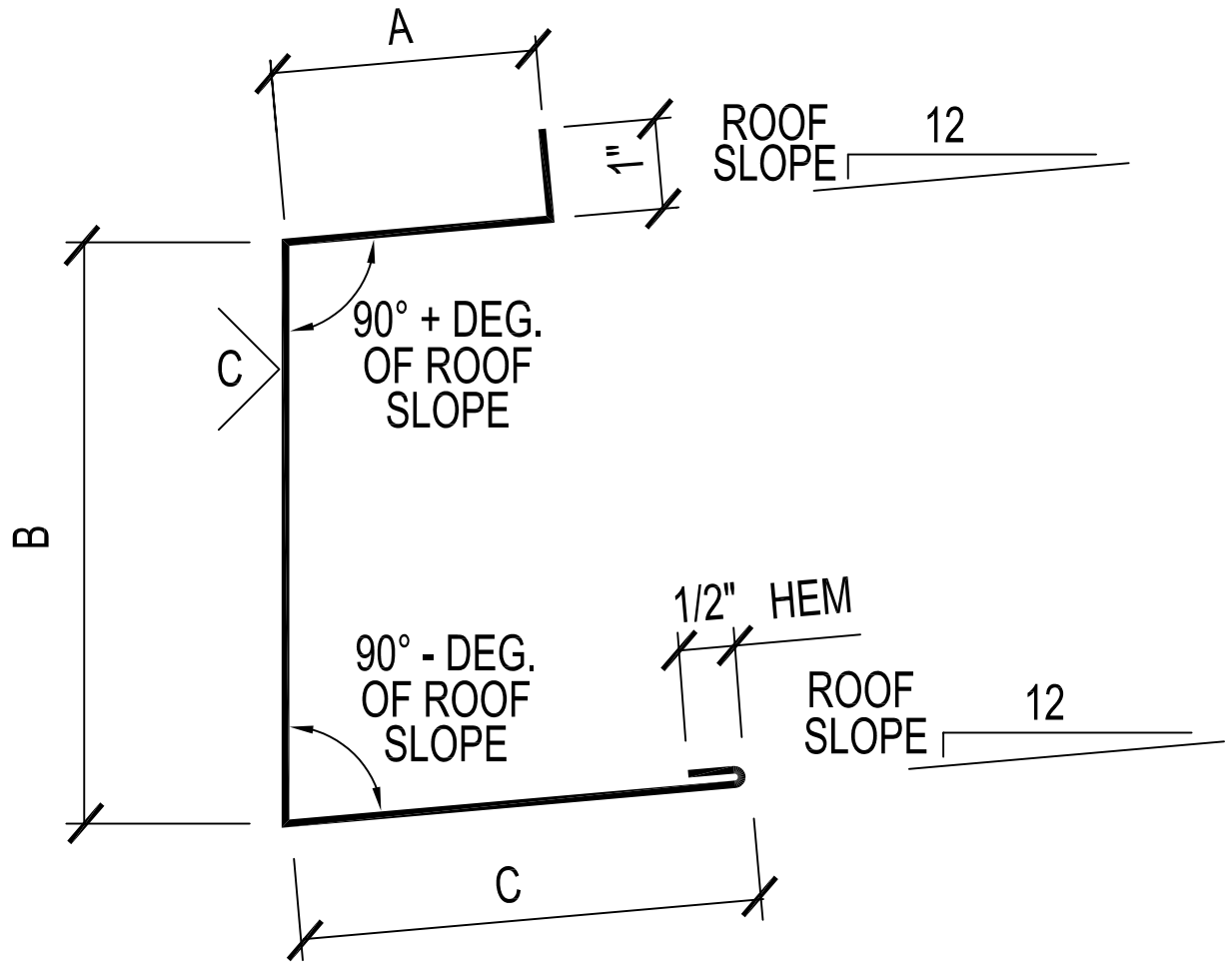


SLOPE CODE	ROOF SLOPE	DIMENSION		
		A	B	C
A	1/2	2 3/4	6 1/4	5 1/4
B	1	2 3/4	6 1/4	5 1/4
C	2	3	6 3/8	4 7/8
D	3	3 1/4	6 9/16	4 7/16
E	4	3 7/16	6 3/4	4 1/16
F	5	3 5/8	7	3 5/8

SPECIFY ROOF SLOPE

FL-94

CANOPY EAVE TRIM W/ "U" SOFFIT PANEL
(8 C 2 1/2" EAVE CHANNEL)

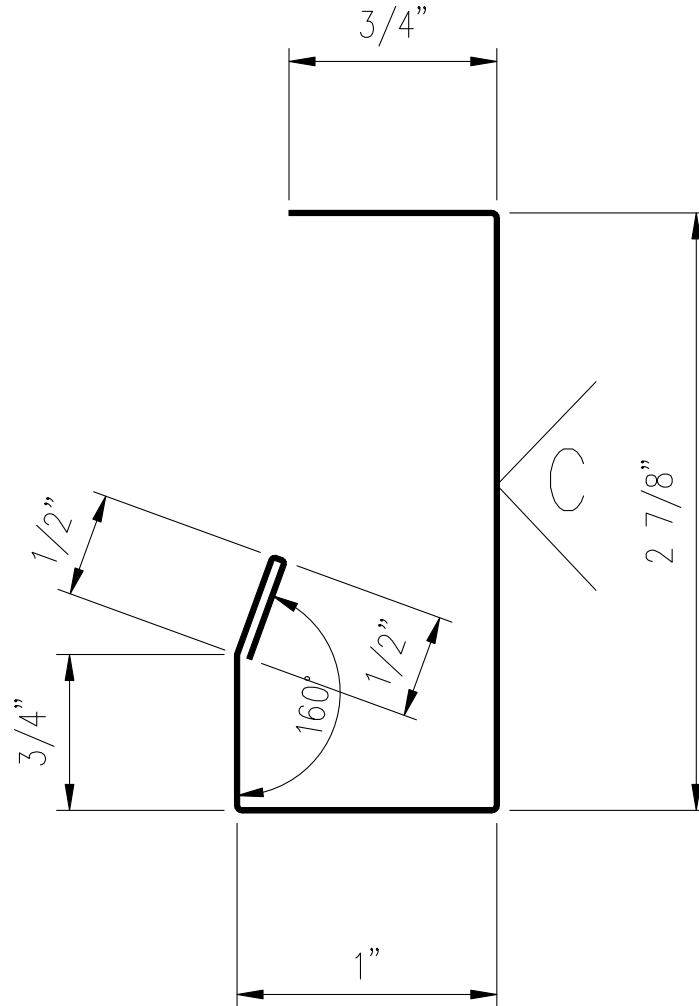


SLOPE CODE	ROOF SLOPE	DIMENSION		
		A	B	C
A	1/2	2 3/4	5 3/4	5 1/4
B	1	2 3/4	5 3/4	5 1/4
C	2	3	5 7/8	4 7/8
D	3	3 1/4	6 3/16	4 5/16
E	4	3 7/16	6 1/4	4 1/16
F	5	3 5/8	6 1/2	3 5/8

SPECIFY ROOF SLOPE

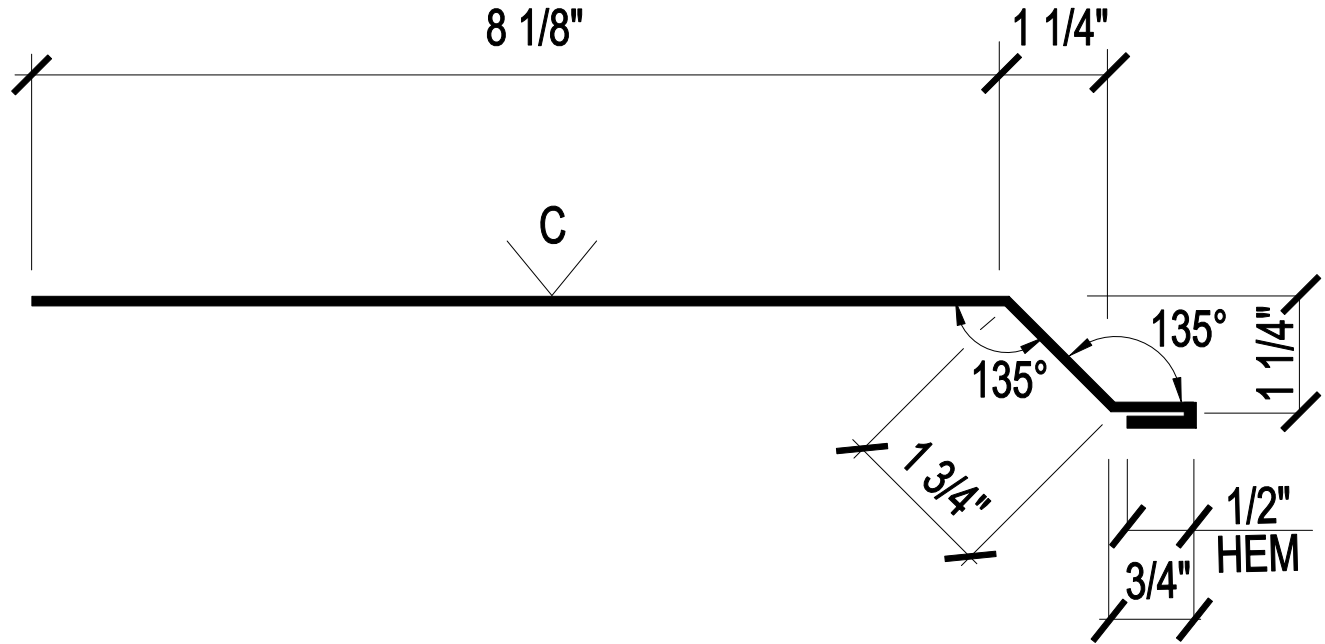
FL-95

JAMB TRIM
("RVPBU" PANEL)



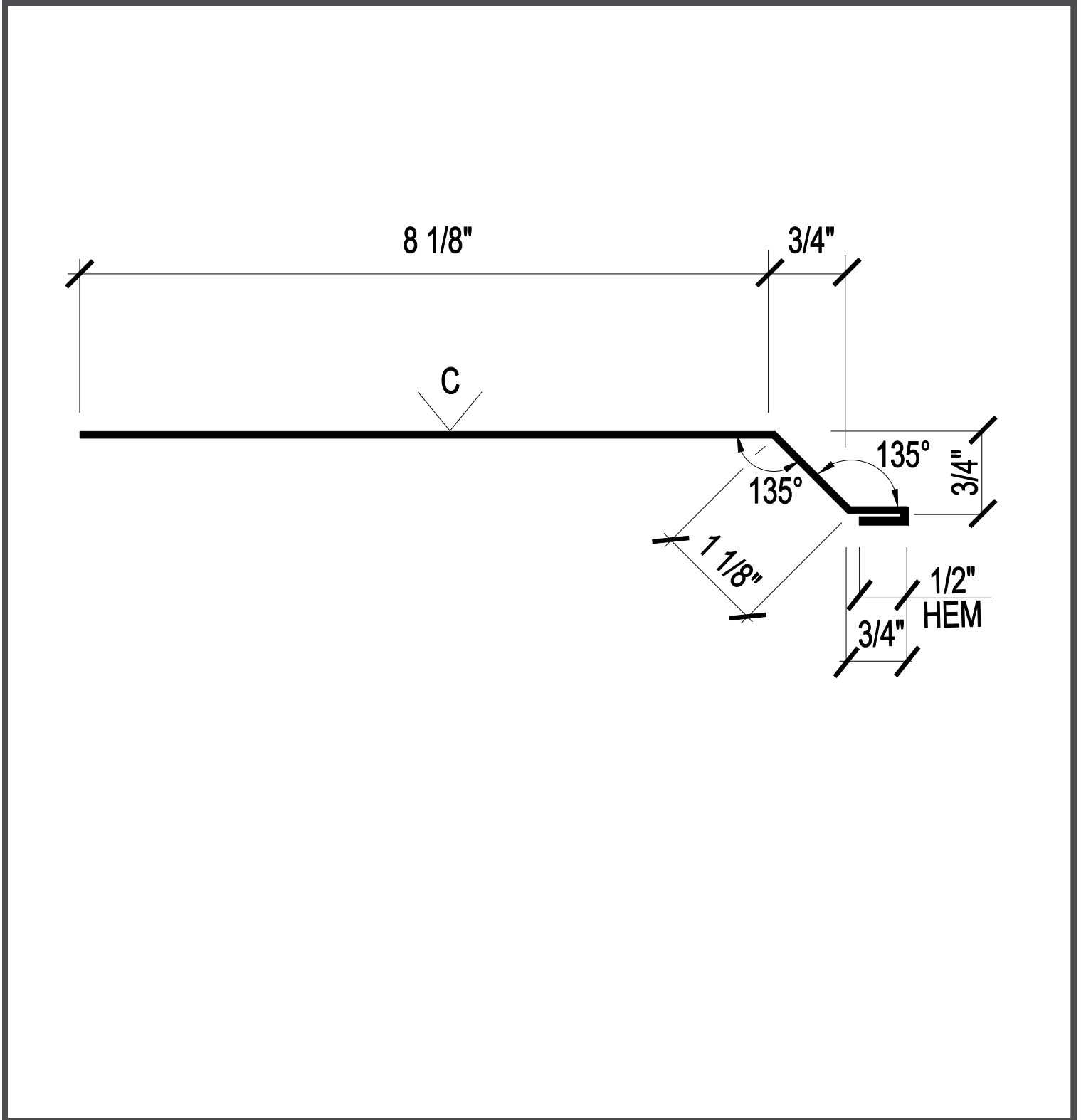
FL-96

RAFTER CLOSURE TRIM
("PBR" PANEL)



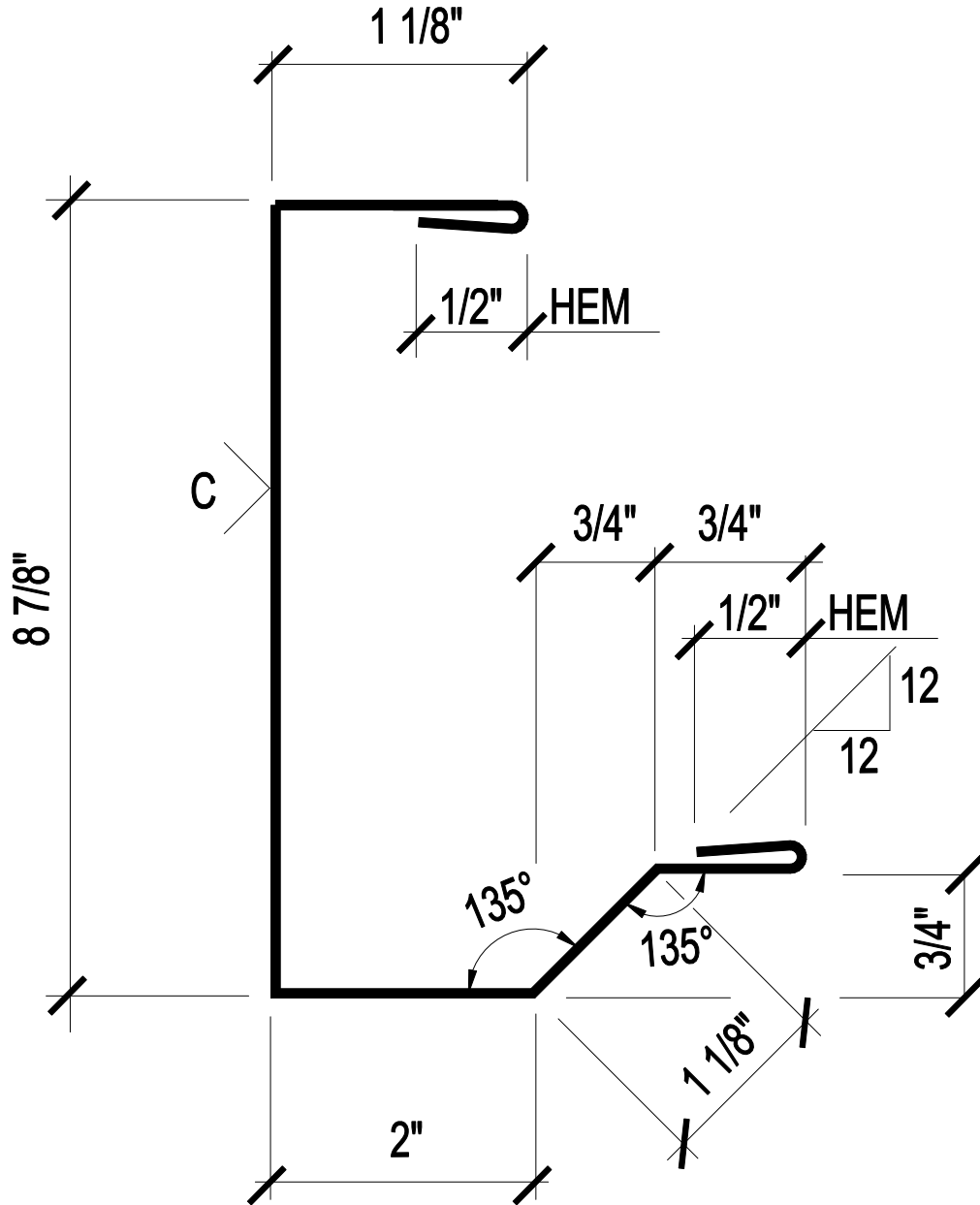
FL-97

RAFTER CLOSURE TRIM
("PBU" PANEL)



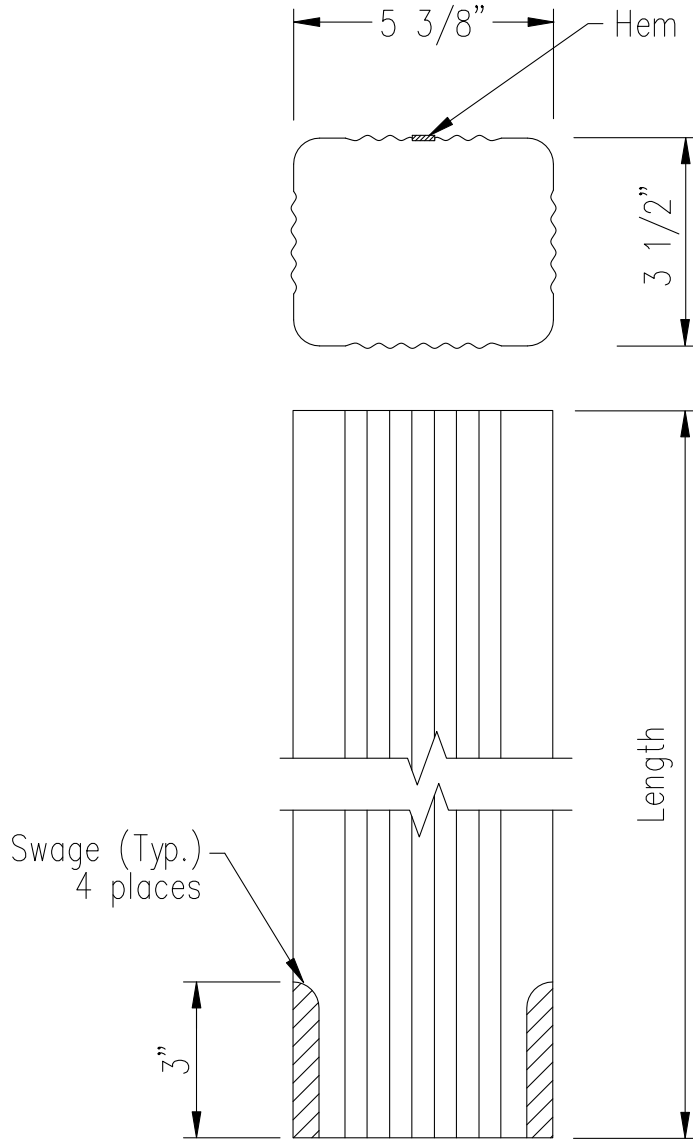
FL-98

CORNER TRIM (OPEN WALL)
("PBU" PANEL)



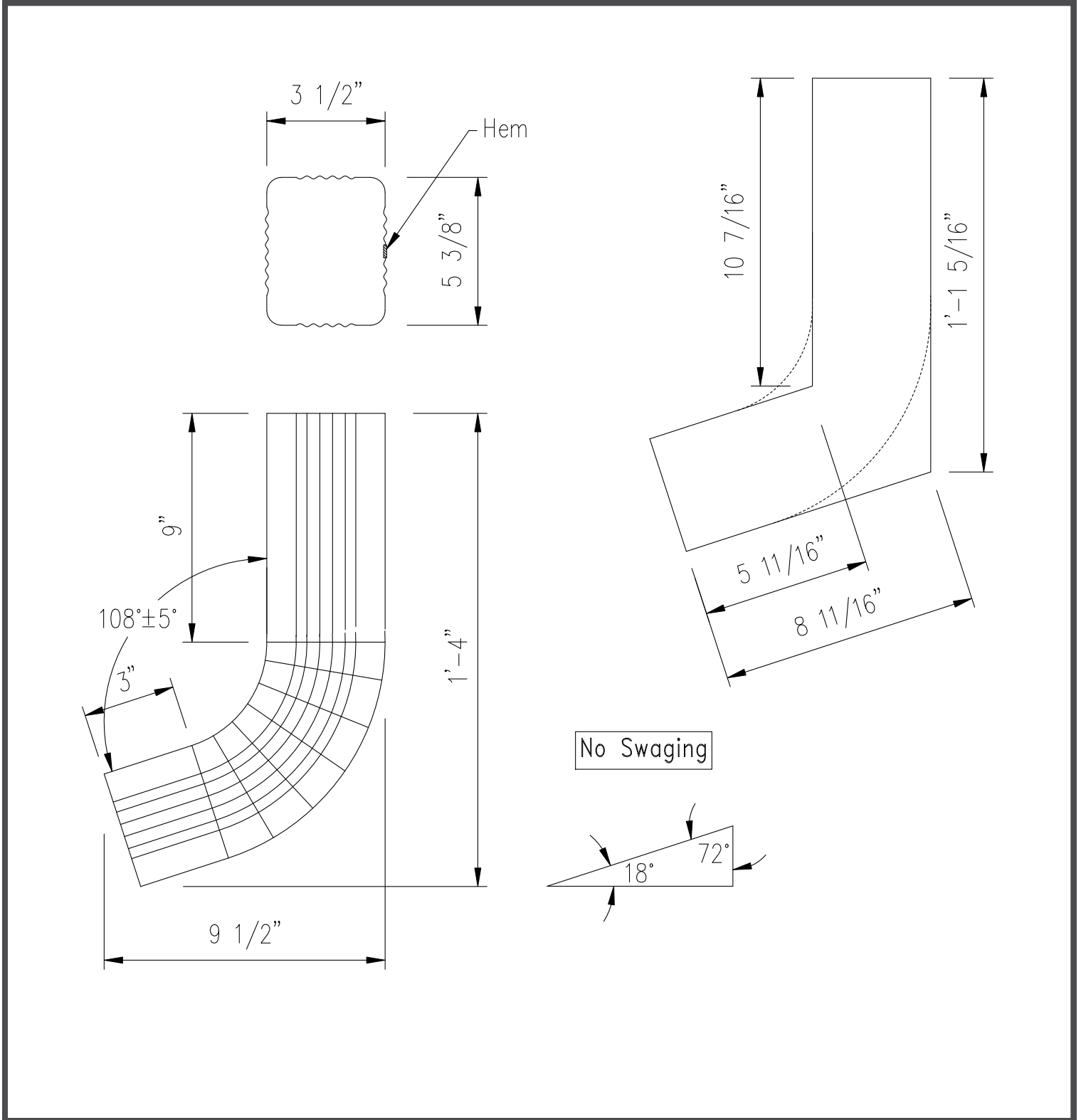
FL-100

3 1/2" X 5" ROLL FORM DOWNSPOUT
(STRAIGHT PIPE)



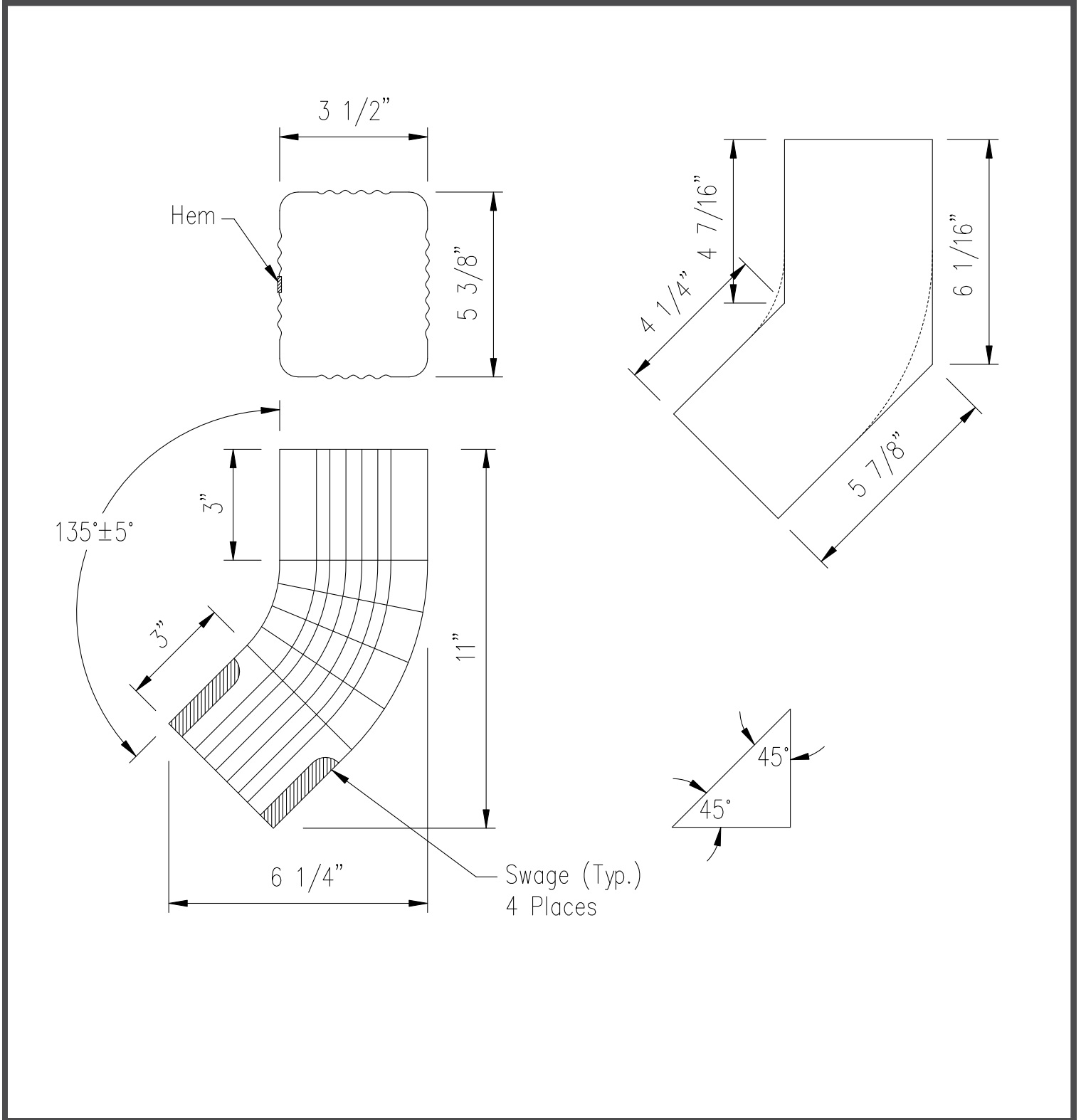
FL-101

3 1/2" X 5" ROLL FORM DOWNSPOUT (72° KICKOUT)



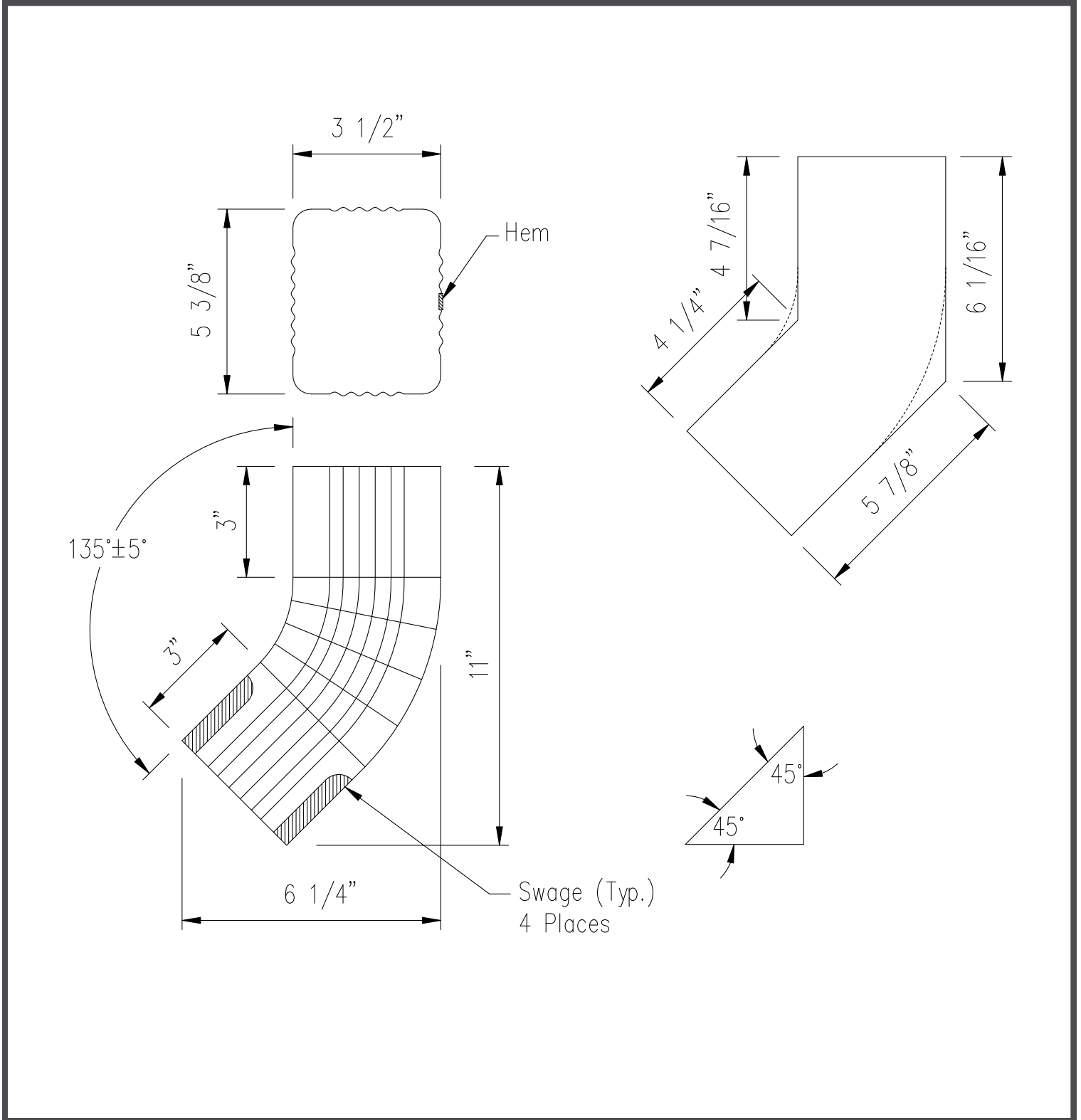
FL-102

3 1/2" X 5" ROLL FORM DOWNSPOUT
45° OFFSET



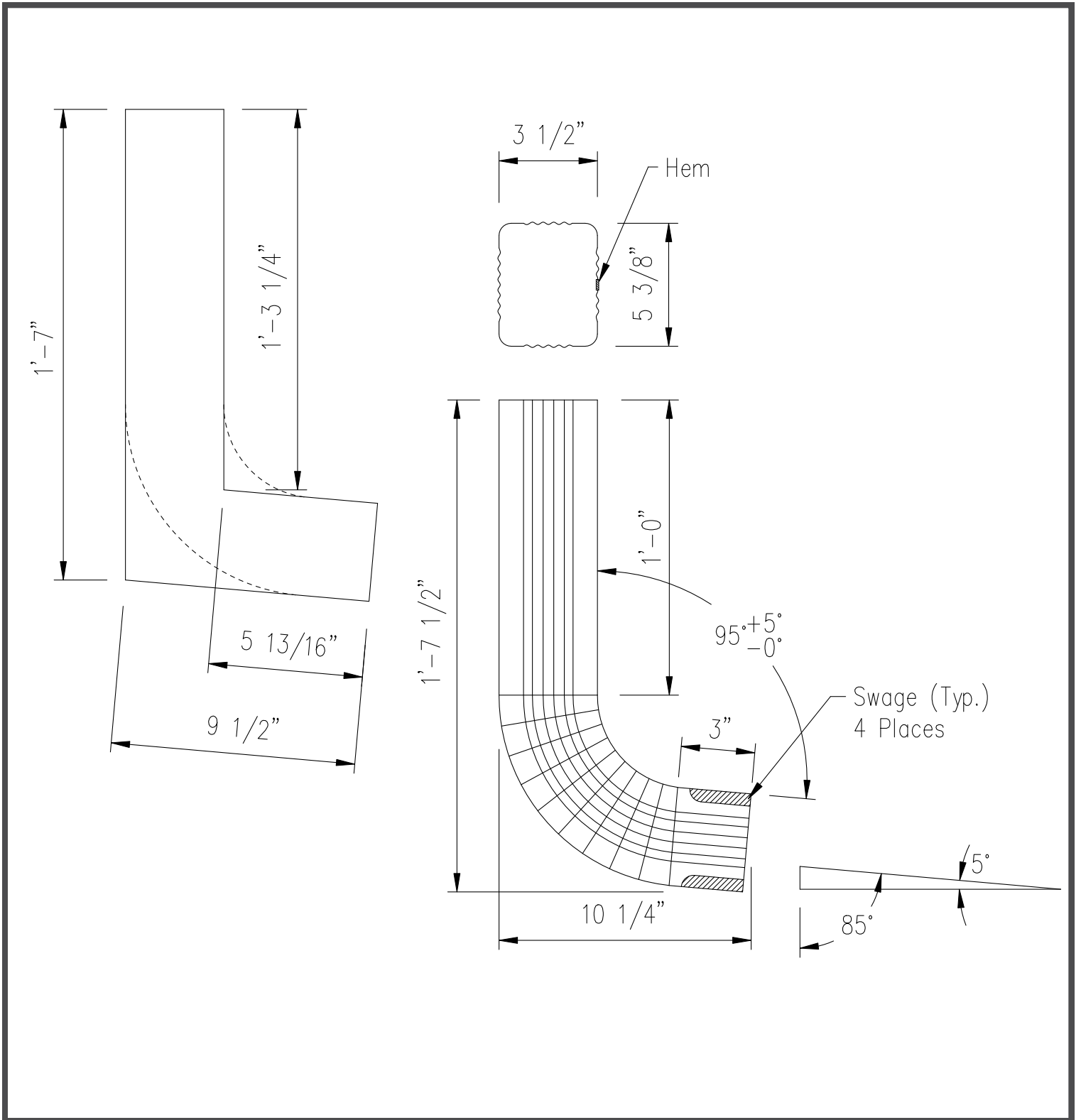
FL-102A

3 1/2" X 5" ROLL FORM DOWNSPOUT
45° OFFSET



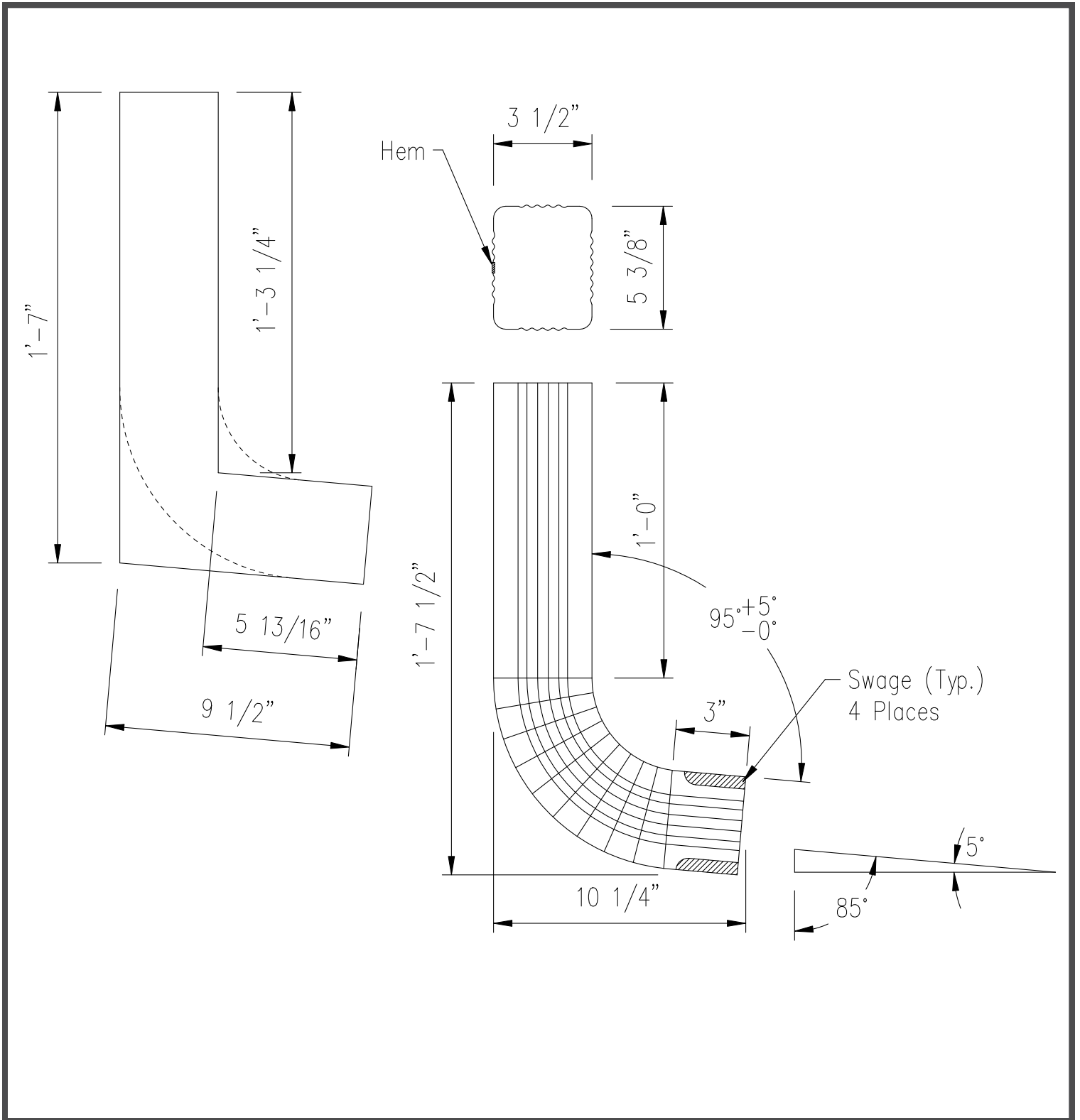
FL-103

3 1/2" X 5" ROLL FORM DOWNSPOUT
85° OFFSET



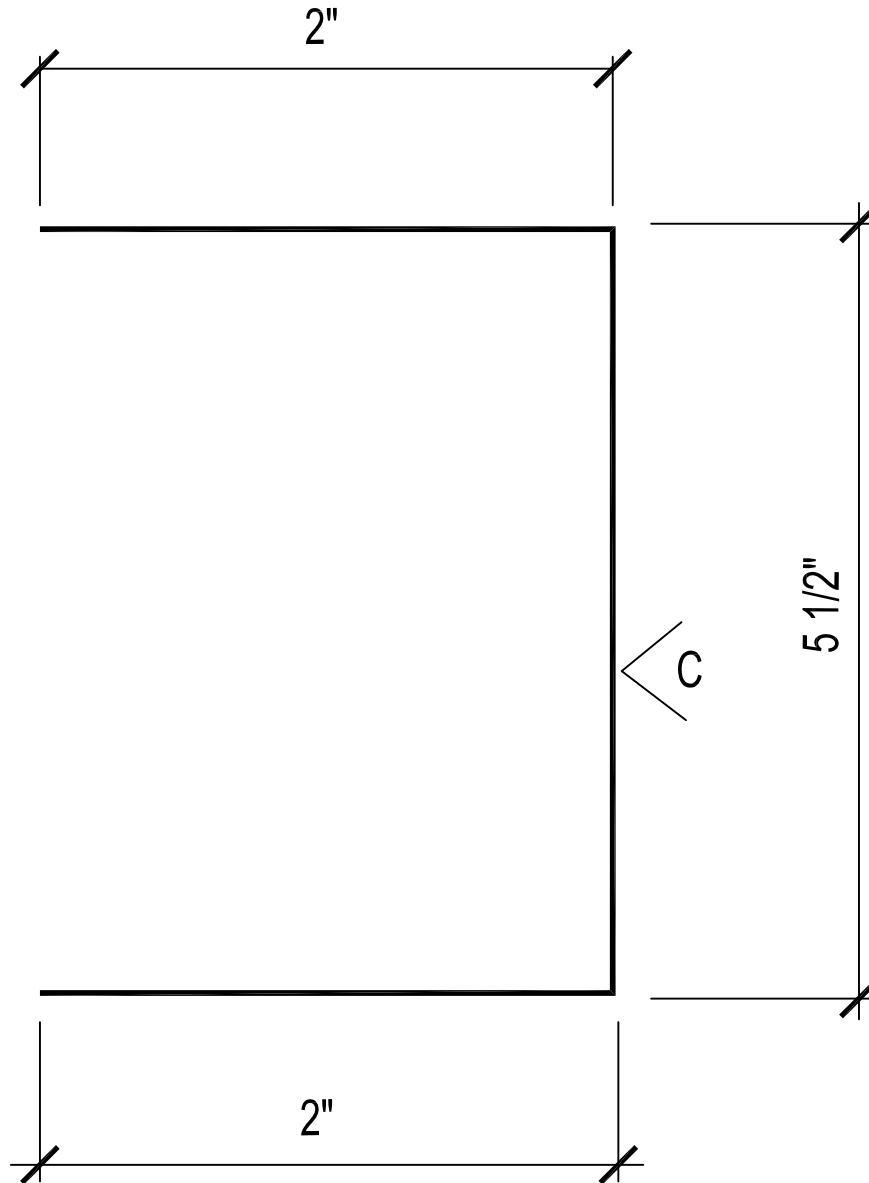
FL-103A

3 1/2" X 5" ROLL FORM DOWNSPOUT
85° OFFSET



FL-104

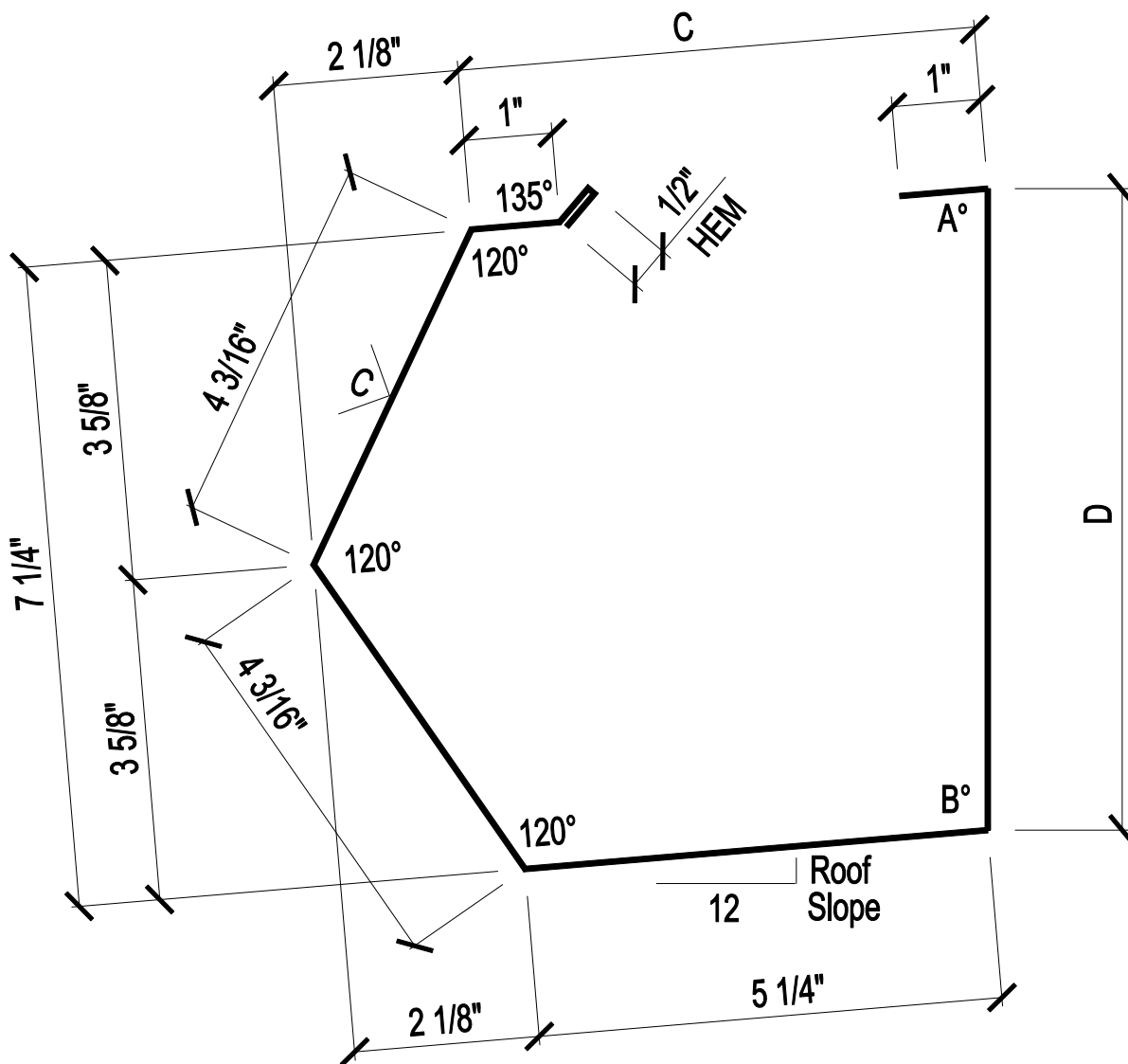
5" DOWNSPOUT STRAP
ROLL-FORMED D.S.



FL-111

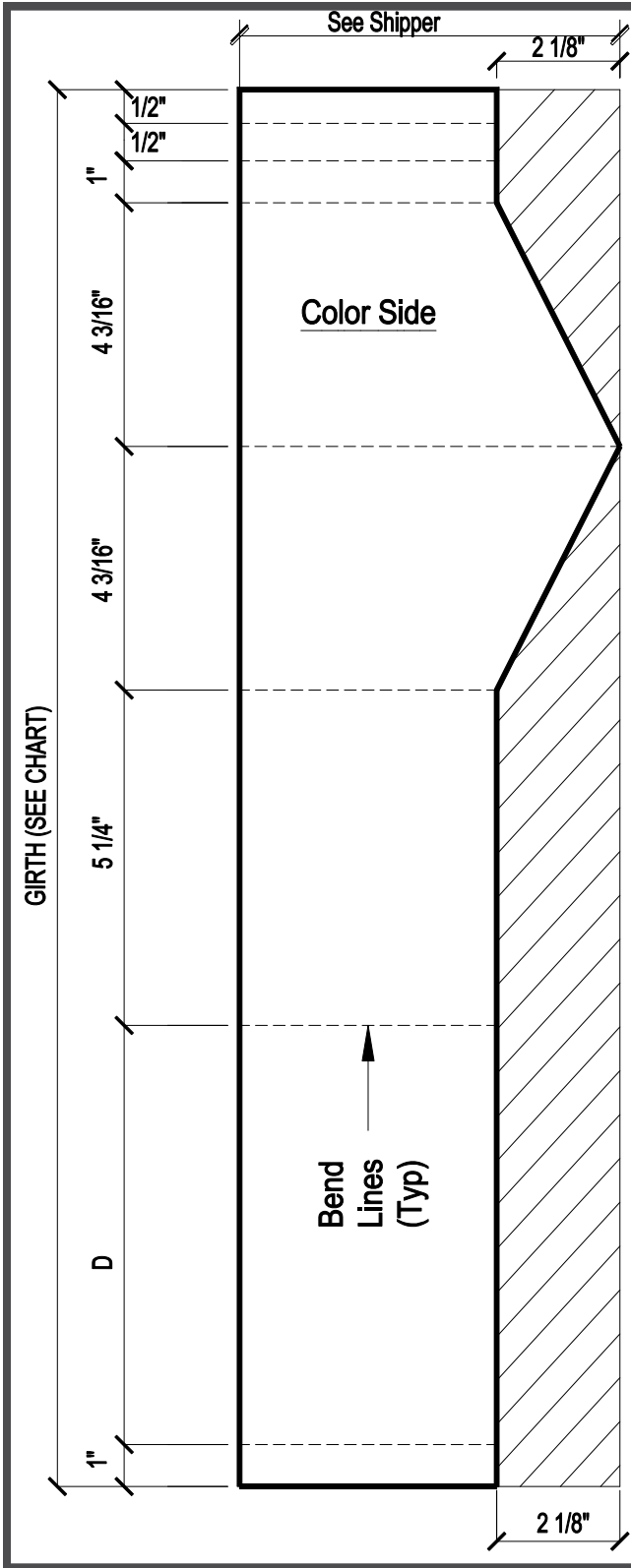
5 1/4" X 7 1/4" GUTTER
(FOR NORTHERN STYLE)

Roof Slope	A	B	C	D	Girth	WT/FT
1/2	88°	92°	5 9/16"	7 1/4"	23 7/8"	1.6951
1	85°	95°	5 7/8"	7 1/4"	23 7/8"	1.6951
2	81°	99°	6 7/16"	7 3/8"	24"	1.6951
3	76°	104°	7 1/16"	7 1/2"	24 1/8"	1.7040
4	72°	108°	7 11/16"	7 5/8"	24 1/4"	1.7395



FL-111 R
FL-111 L

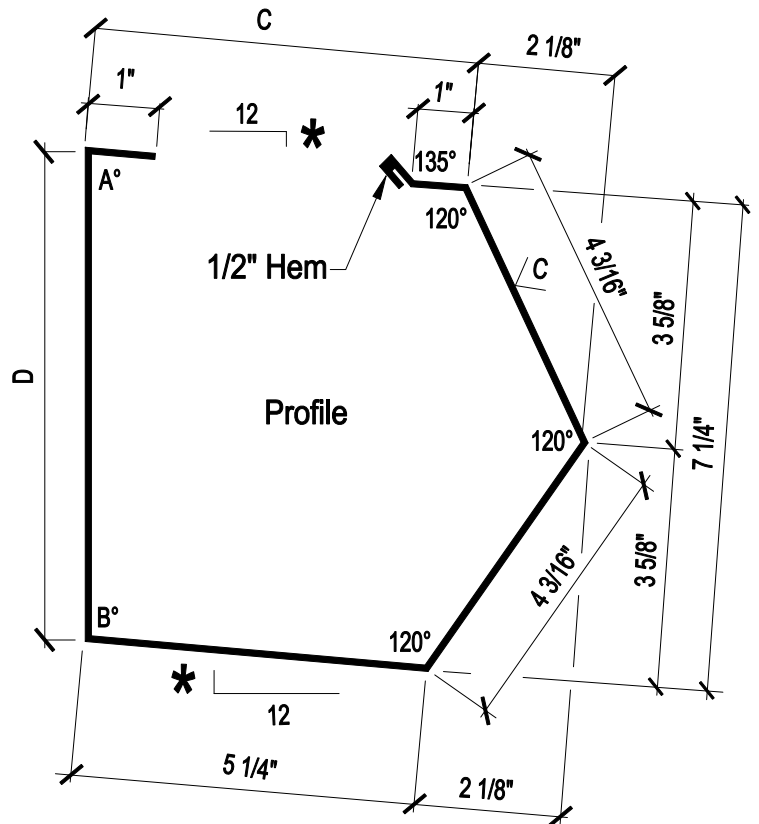
5 1/4" X 7 1/4" MITERED GUTTER
(FOR NORTHERN STYLE GUTTER)



Roof Slope	A	B	C	D	Girth	WT/FT
1/2	88°	92°	5 9/16"	7 1/4"	23 7/8"	1.6951
1	85°	95°	5 7/8"	7 1/4"	23 7/8"	1.6951
2	81°	99°	6 7/16"	7 3/8"	24"	1.6951
3	76°	104°	7 1/16"	7 1/2"	24 1/8"	1.7040
4	72°	108°	7 11/16"	7 5/8"	24 1/4"	1.7395

2

5 1/4" X 7 1/4" Mitered Gutter
(For Northern Style Gutter)



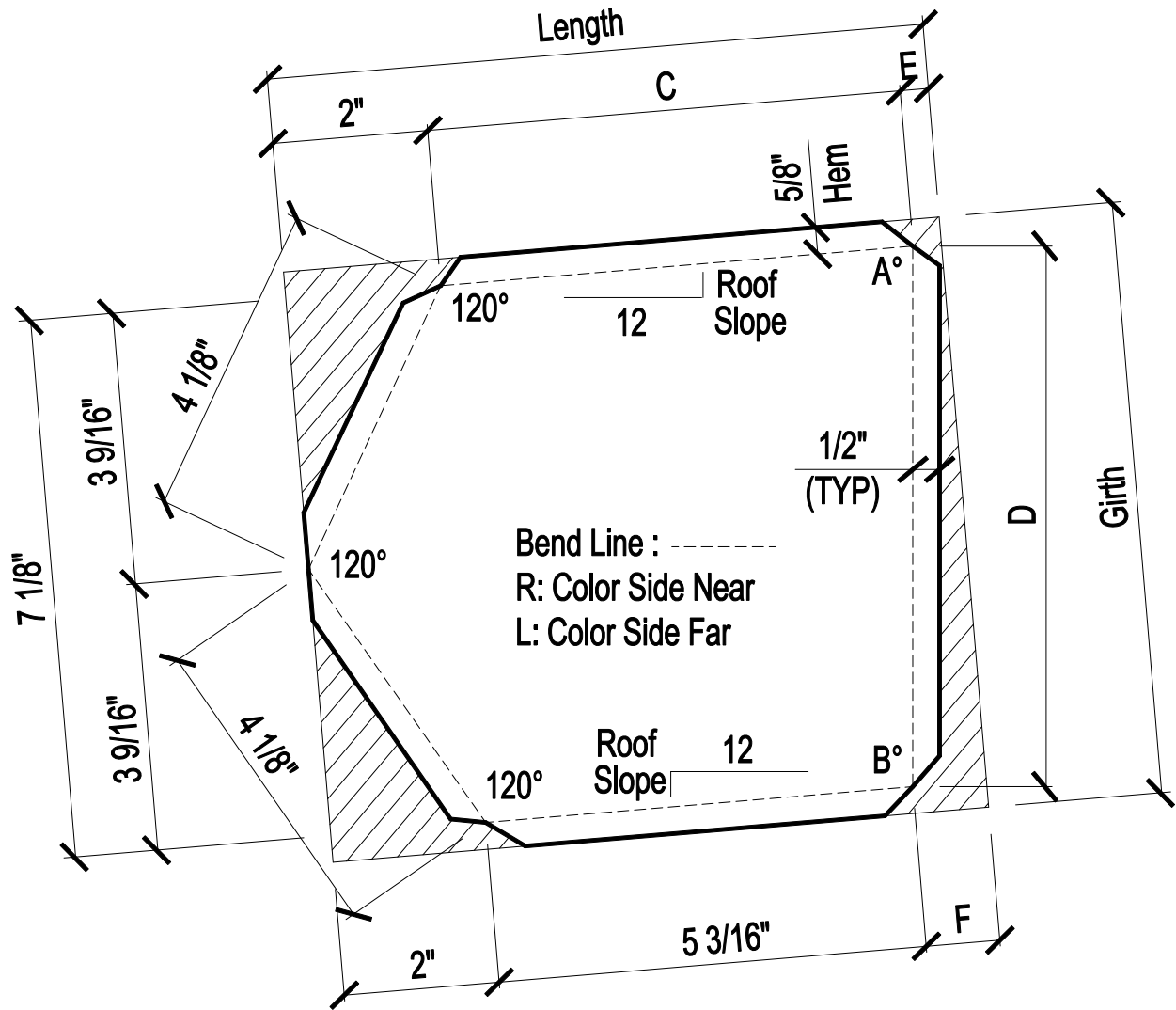
* Specify
Roof Slope

FL-112 R
FL-112 L

5 1/4" X 7 1/4" GUTTER END CAP
(FOR NORTHERN STYLE GUTTER)

Roof Slope	A	B	C	D	E	F	Girth	Length	WT/FT
1/2	88°	92°	5 1/2"	7 1/8"	7/16"	13/16"	8 1/8"	7 15/16"	0.5059
1	85°	95°	5 13/16"	7 1/8"	7/16"	1 1/16"	8 1/8"	8 1/4"	0.5103
2	81°	99°	6 3/8"	7 5/16"	7/16"	1 5/8"	8 1/8"	8 13/16"	0.5148
3	76°	104°	7"	7 7/16"	3/8"	2 1/8"	8 1/8"	9 5/16"	0.5236
4	72°	108°	7 5/8"	7 9/16"	3/8"	2 3/4"	8 1/8"	9 15/16"	0.5325

2

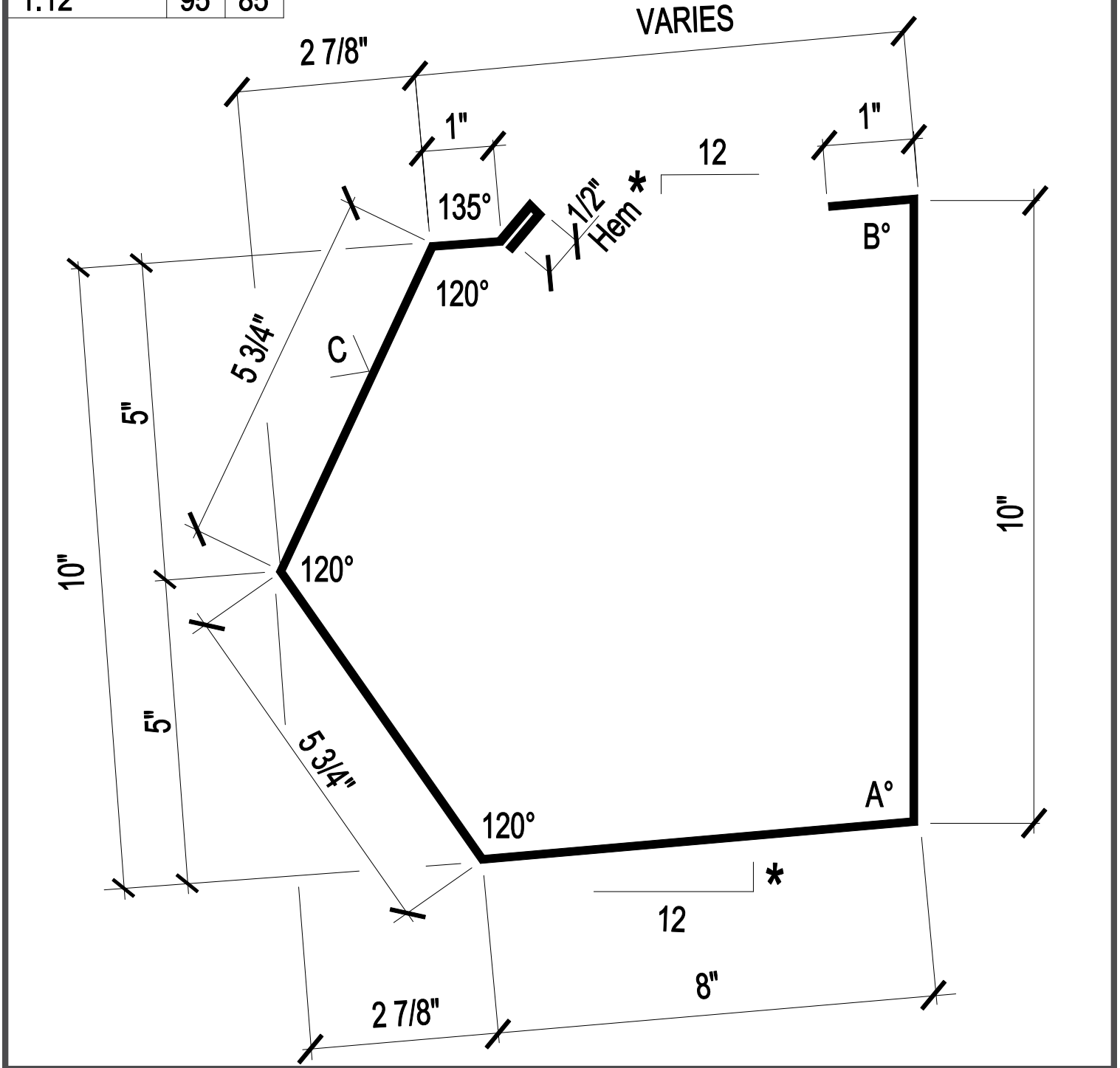


FL-114

8" X 10" GUTTER
(FOR NORTHERN STYLE GUTTER)

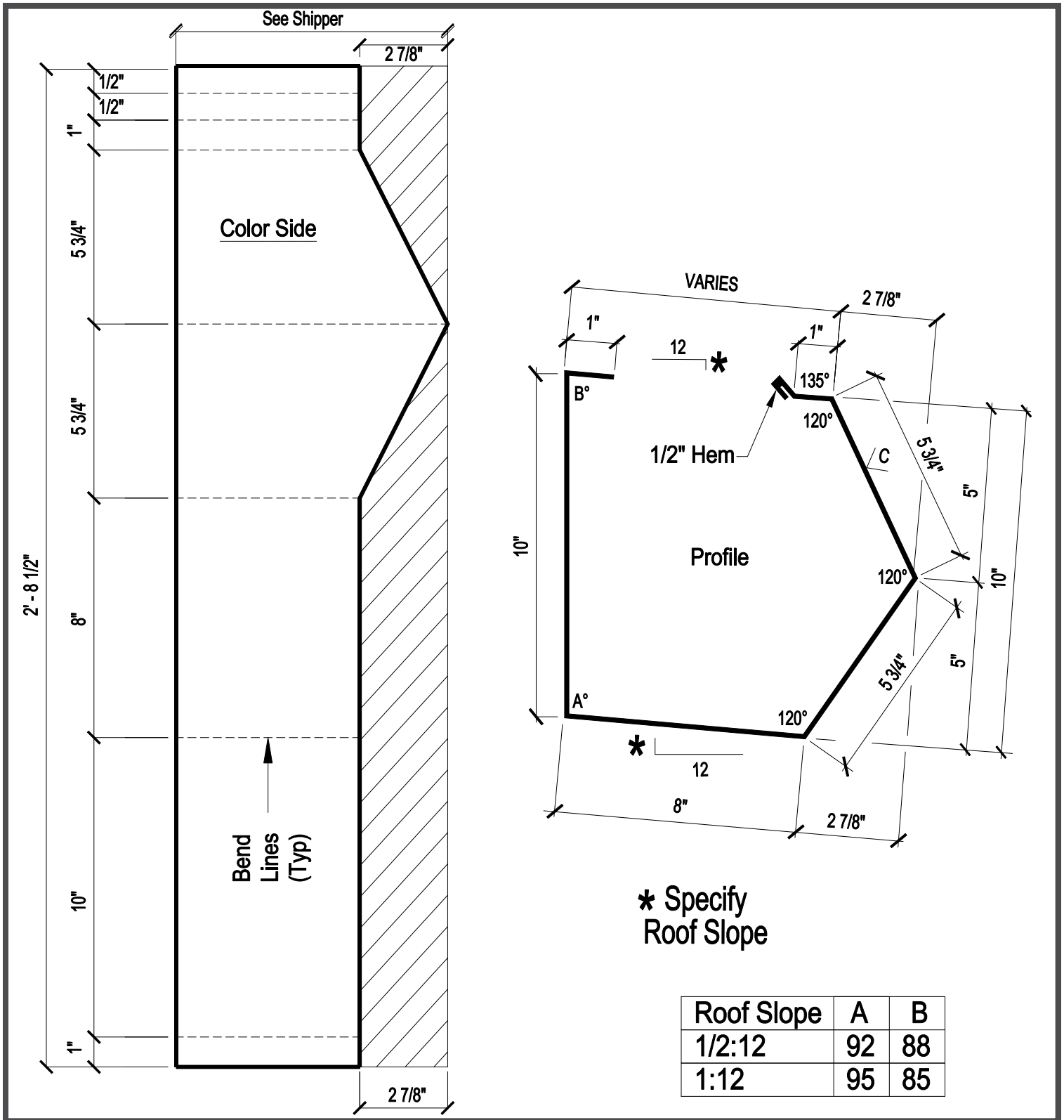
Roof Slope	A	B
1/2:12	92	88
1:12	95	85

* Specify Roof Slope



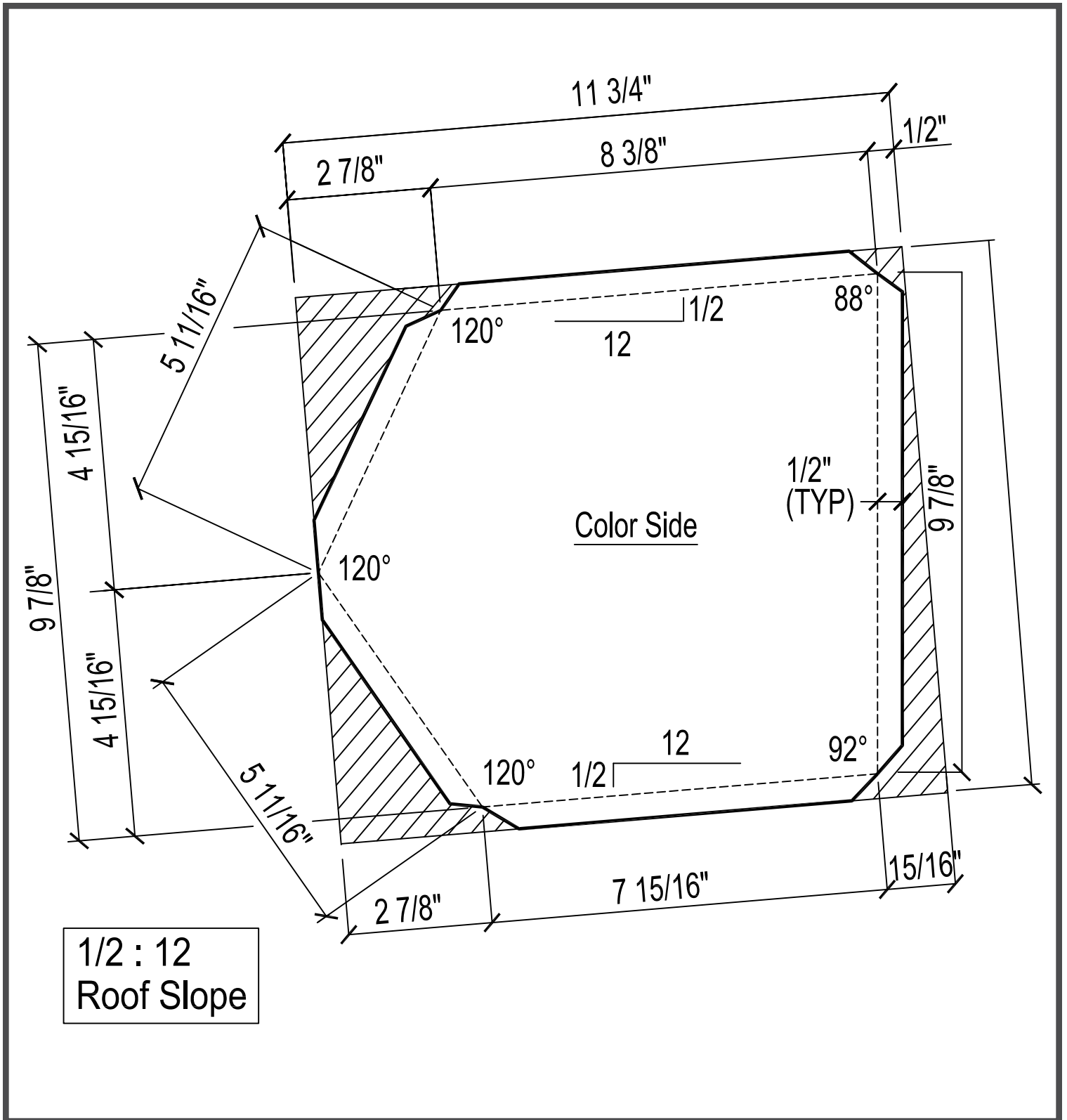
FL-114 R
FL-114 L

8 X 10 MITERED GUTTER (FOR NORTHERN STYLE GUTTER)



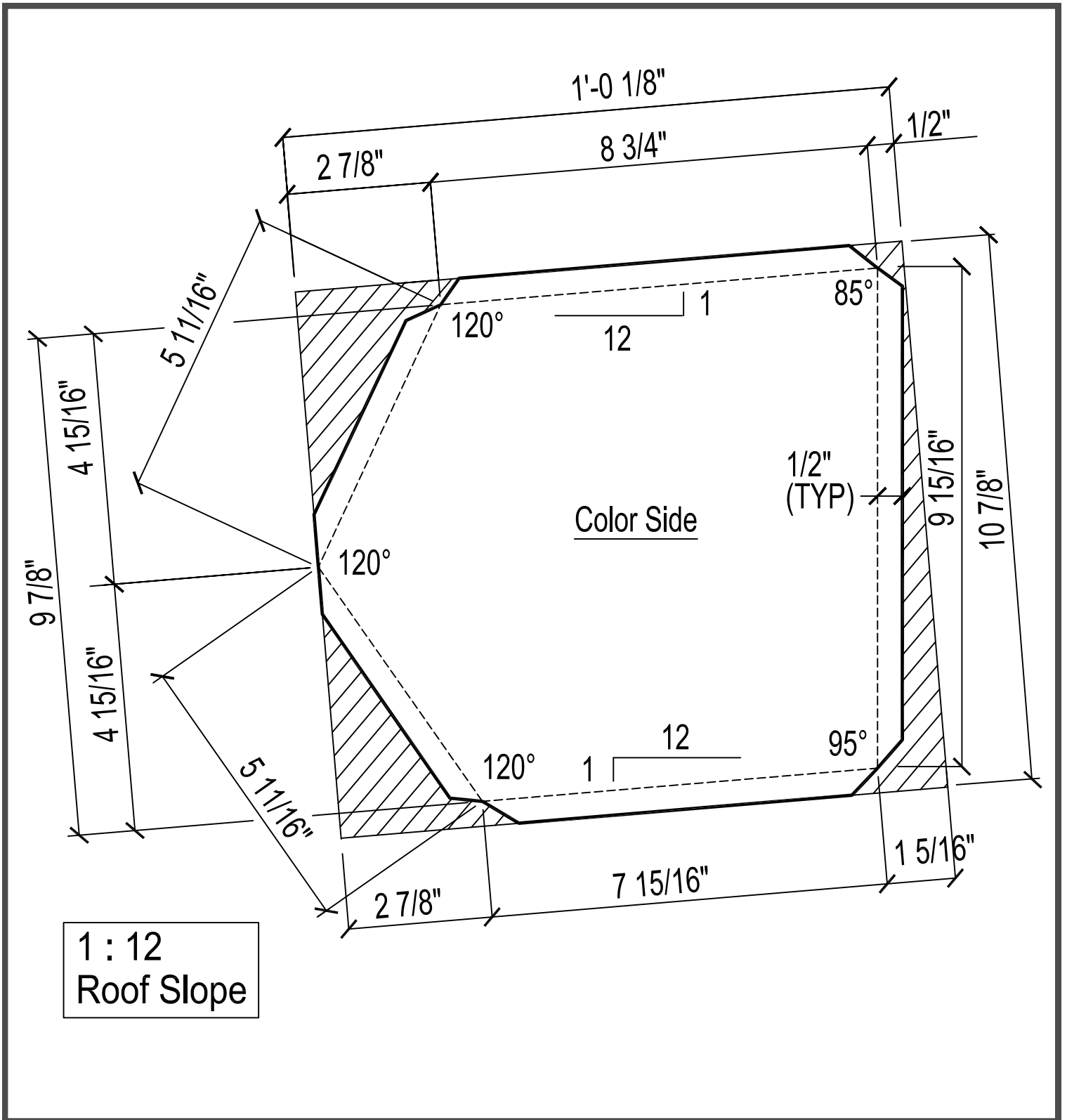
FL-115 R
FL-115 L

8" X 10" GUTTER END CAP
(FOR NORTHERN STYLE GUTTER)



FL-116 R
FL-116 L

8" X 10" GUTTER END CAP
(FOR NORTHERN STYLE GUTTER)

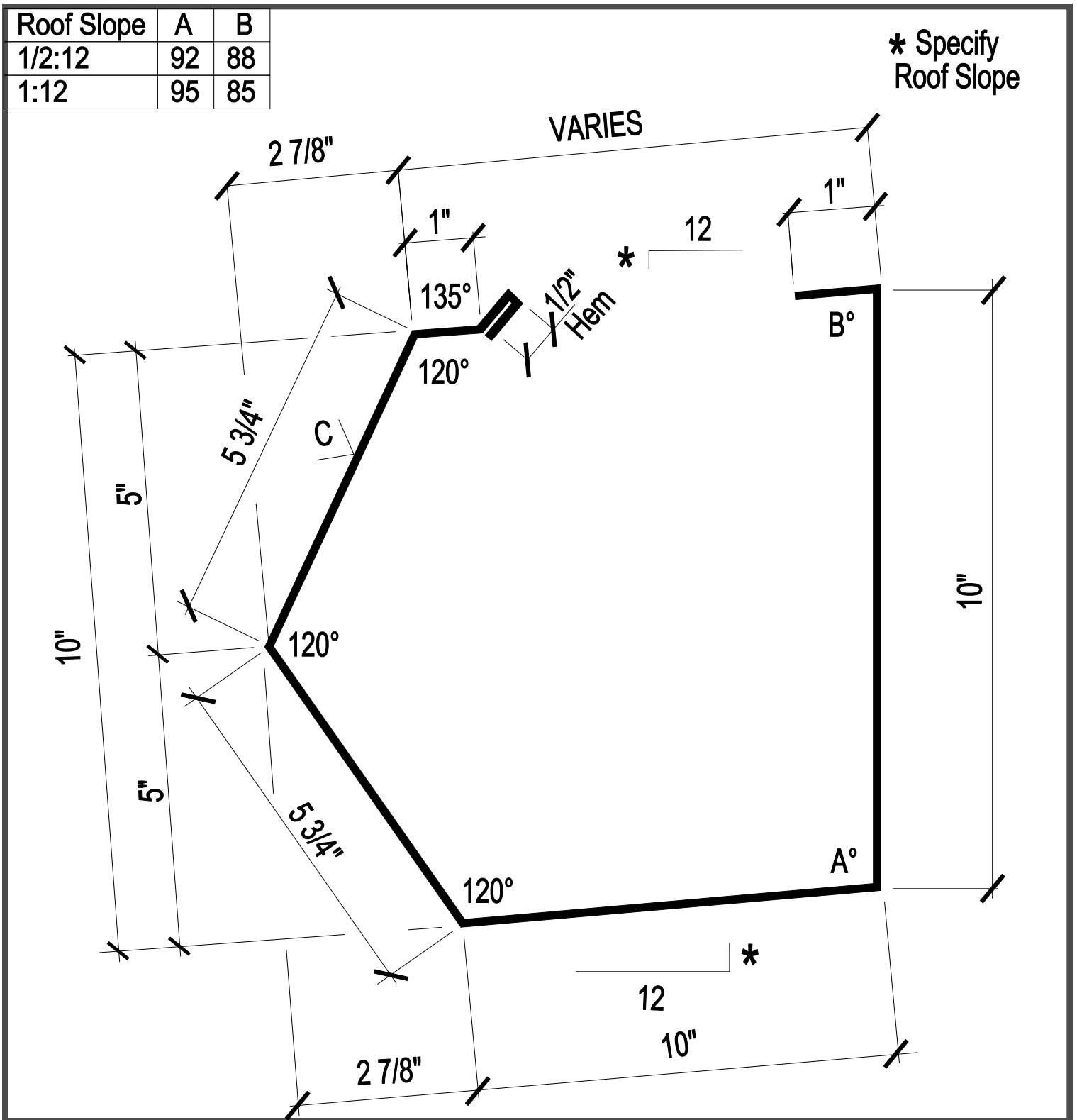


FL-117

10" X 10" GUTTER
(FOR NORTHERN STYLE GUTTER)

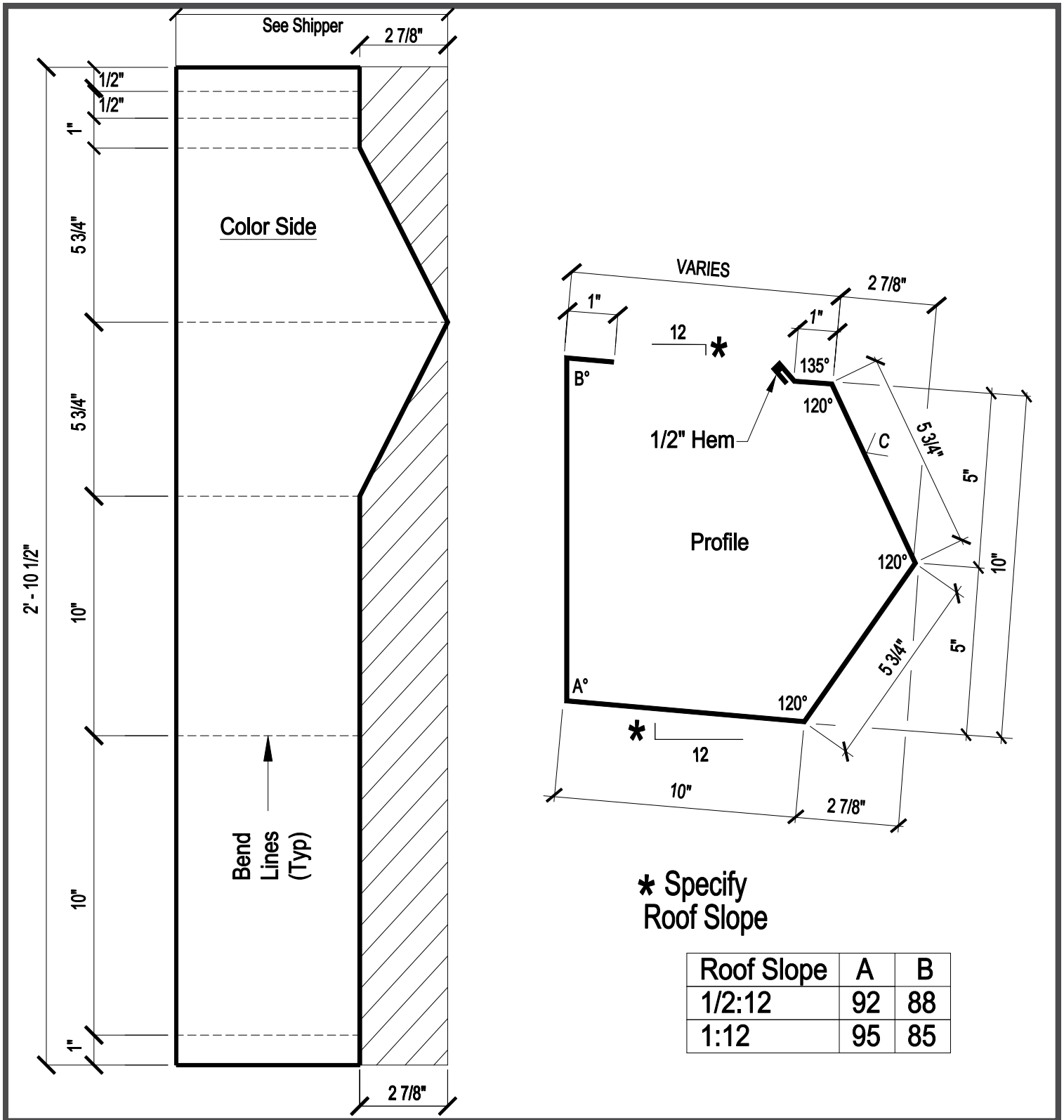
Roof Slope	A	B
1/2:12	92	88
1:12	95	85

* Specify Roof Slope



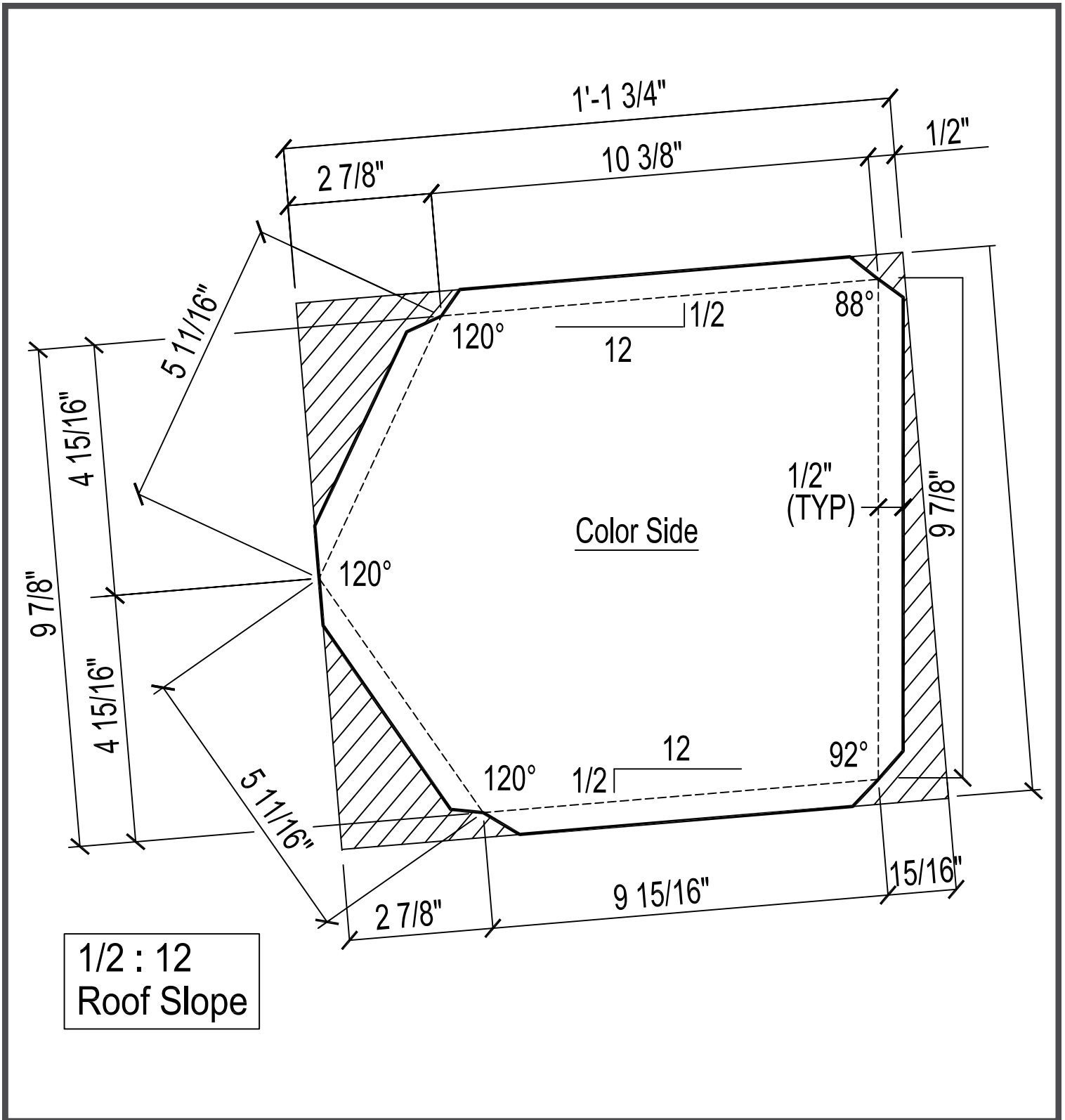
FL-117 R
FL-117 L

10" X 10" GUTTER
(FOR NORTHERN STYLE GUTTER)



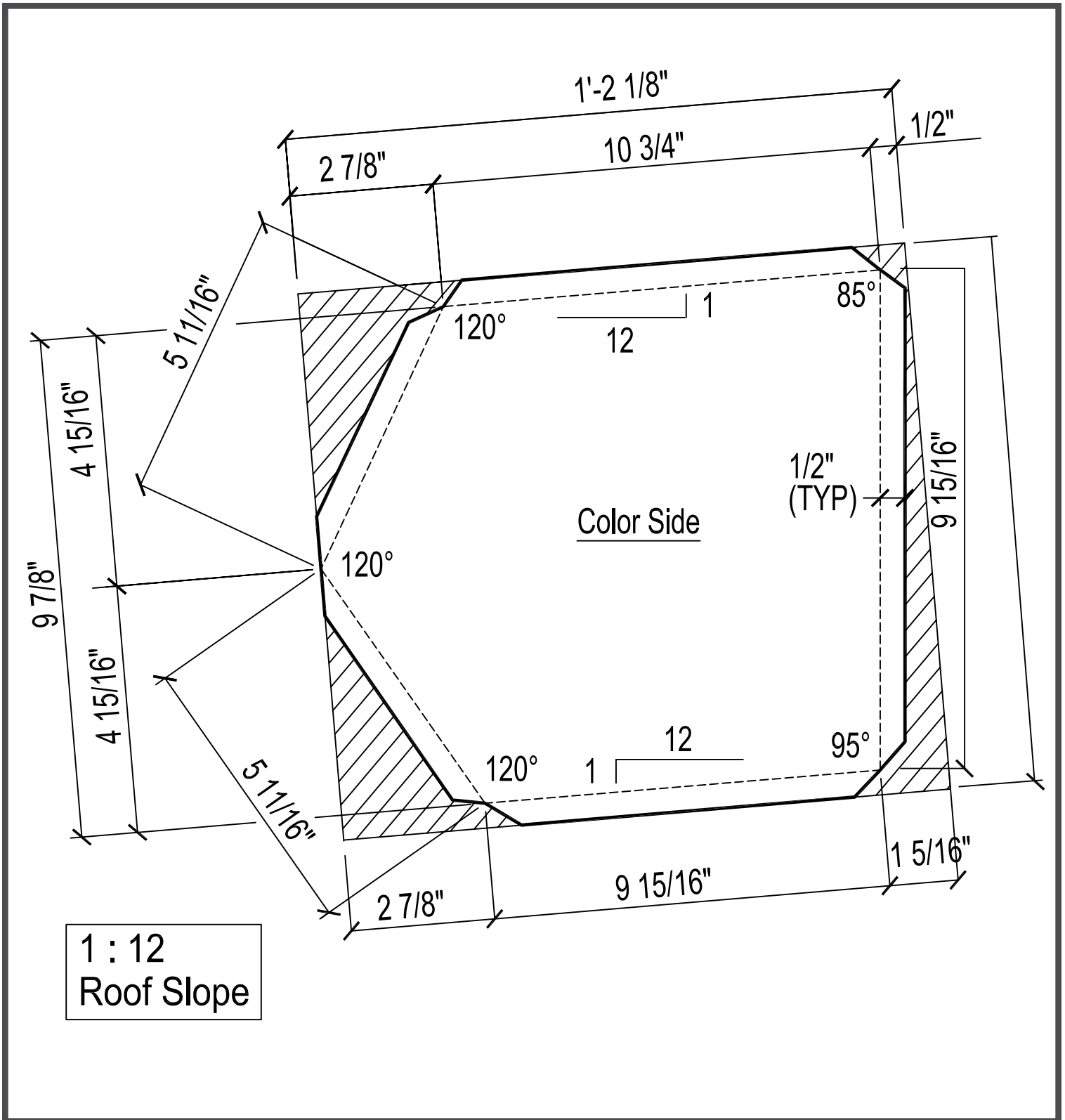
FL-118 R
FL-118 L

10" X 10" GUTTER END CAP
(FOR NORTHERN STYLE GUTTER)



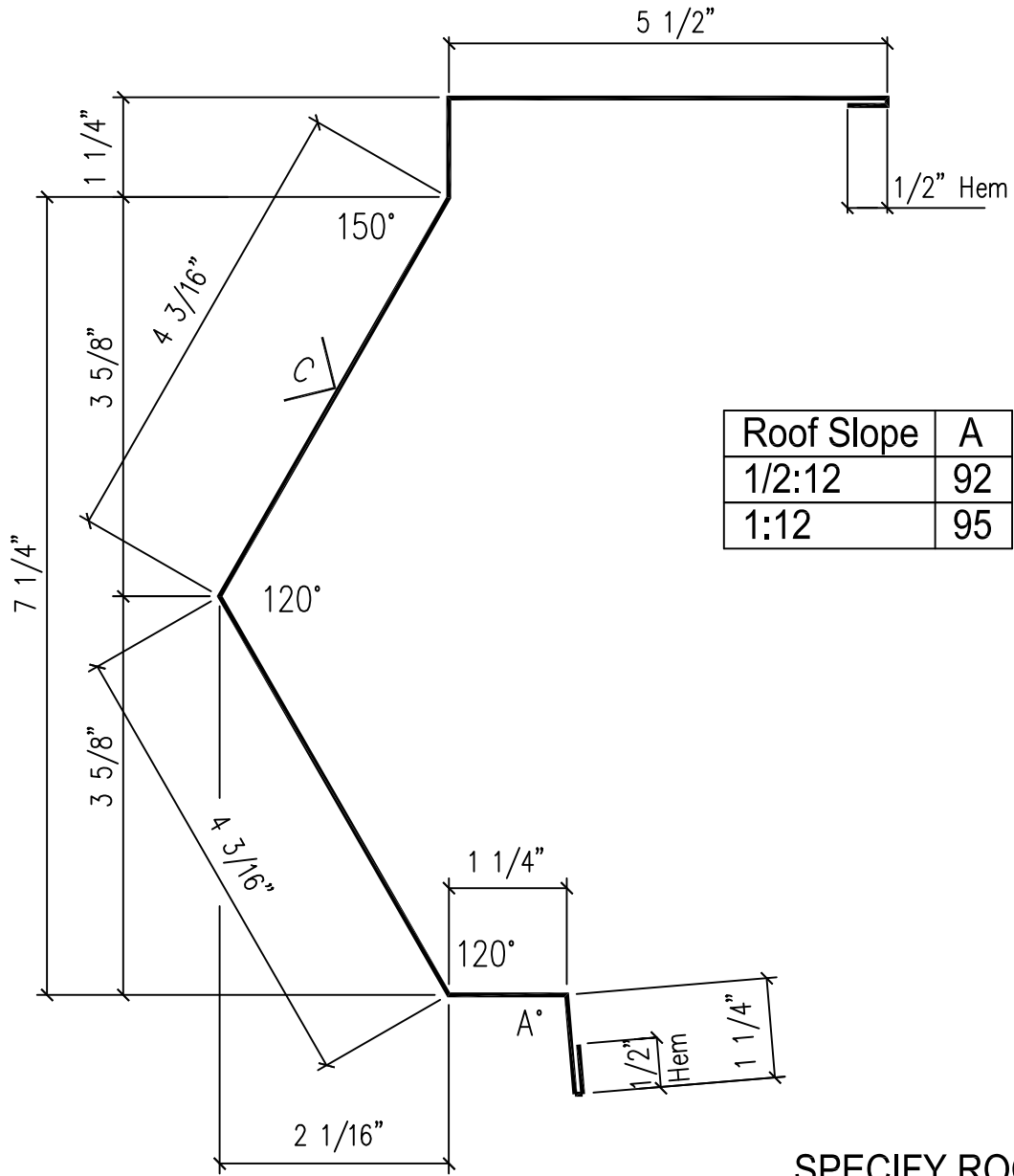
FL-119 R
FL-119 L

10" X 10" GUTTER END CAP
(FOR NORTHERN STYLE GUTTER)



FL-120

7 1/4" HIGH EAVE TRIM
("PBR" FOR NORTHERN STYLE)

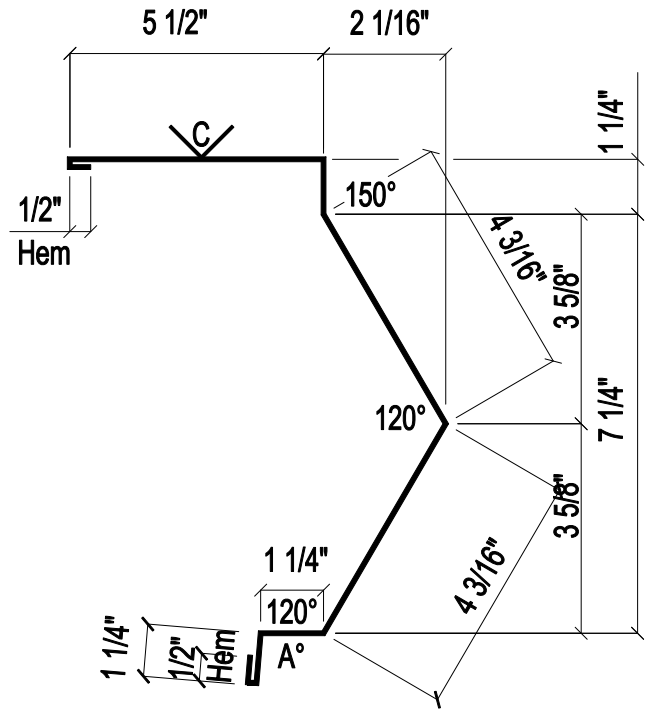
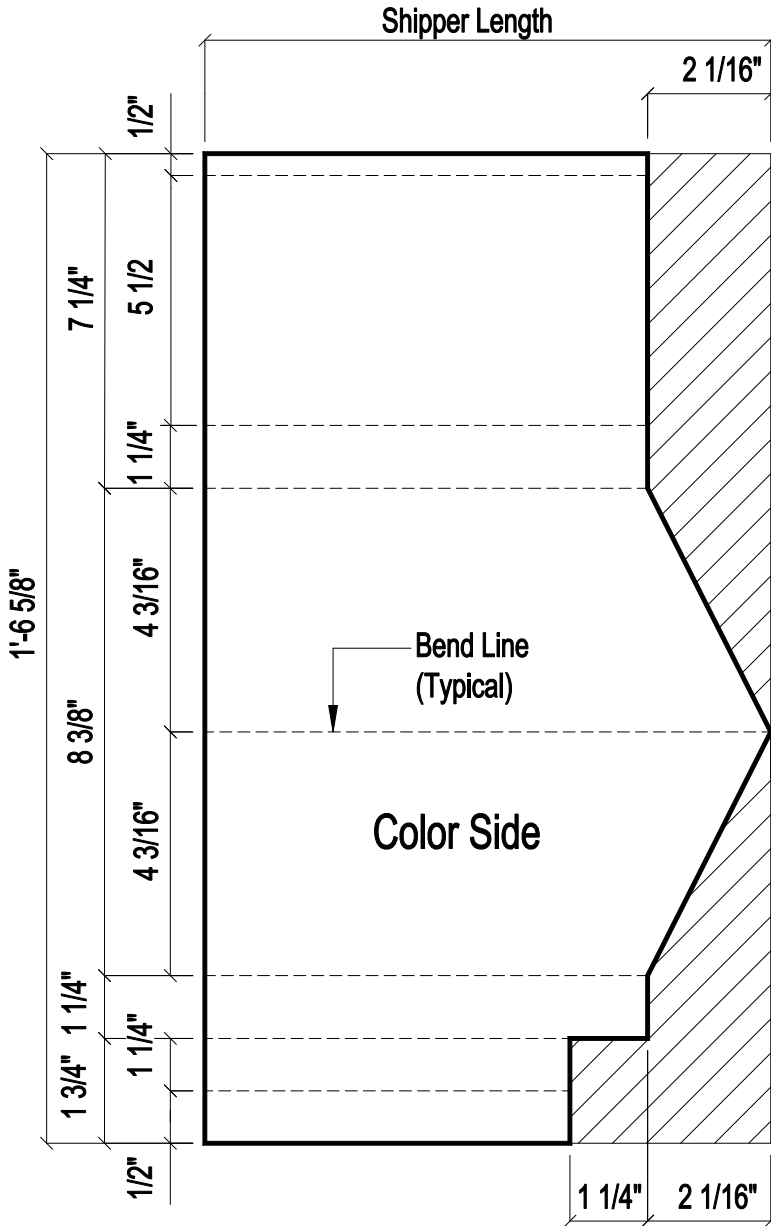


SPECIFY ROOF SLOPE

FL-120 R
FL-120 L

7 1/4" MITERED HIGH EAVE TRIM
(FOR NORTHERN STYLE "PBR")

Roof Slope	A
1/2:12	92
1:12	95

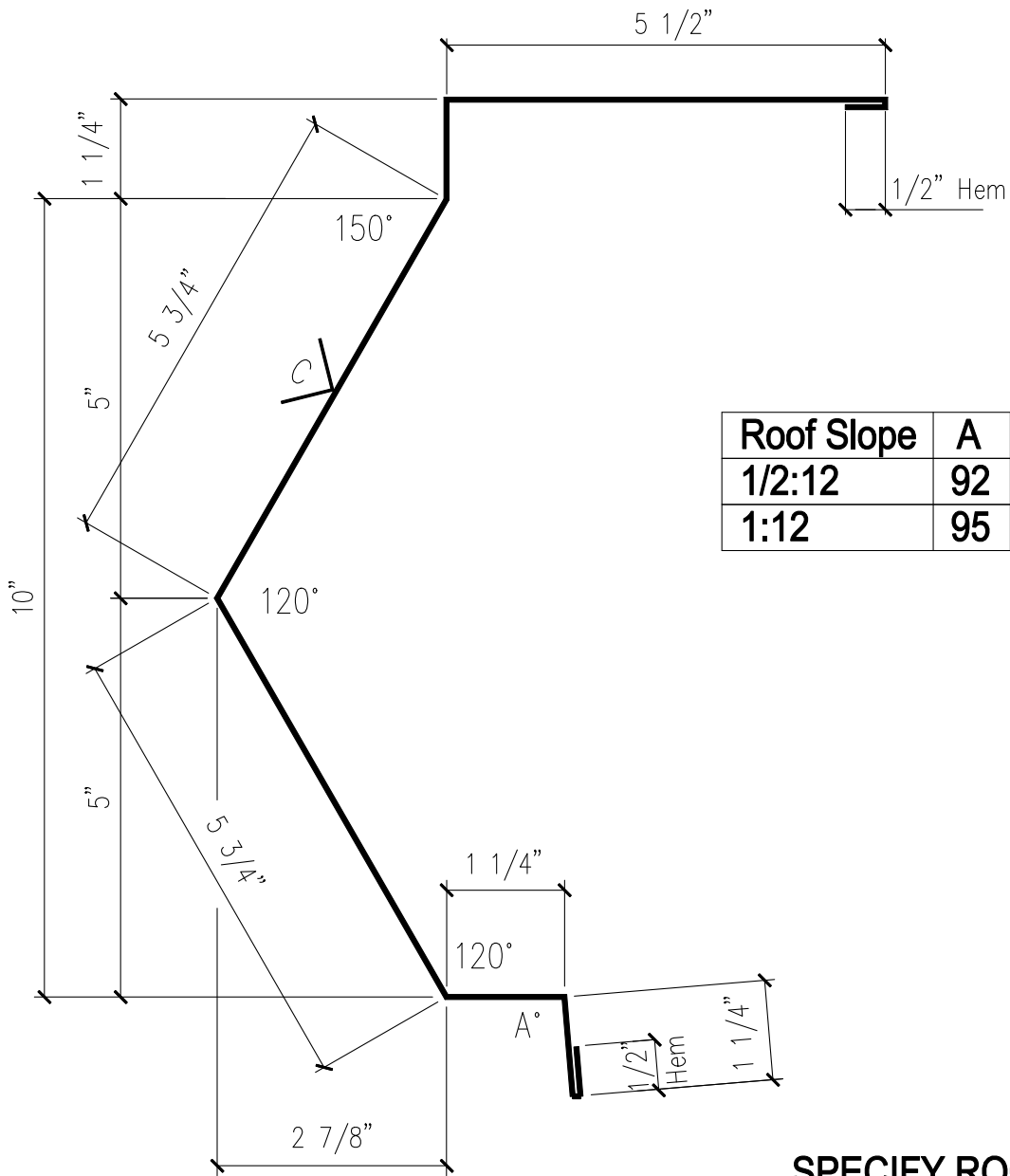


Formed View

SPECIFY ROOF SLOPE

FL-121

10" HIGH EAVE TRIM ("PBR" FOR NORTHERN STYLE)

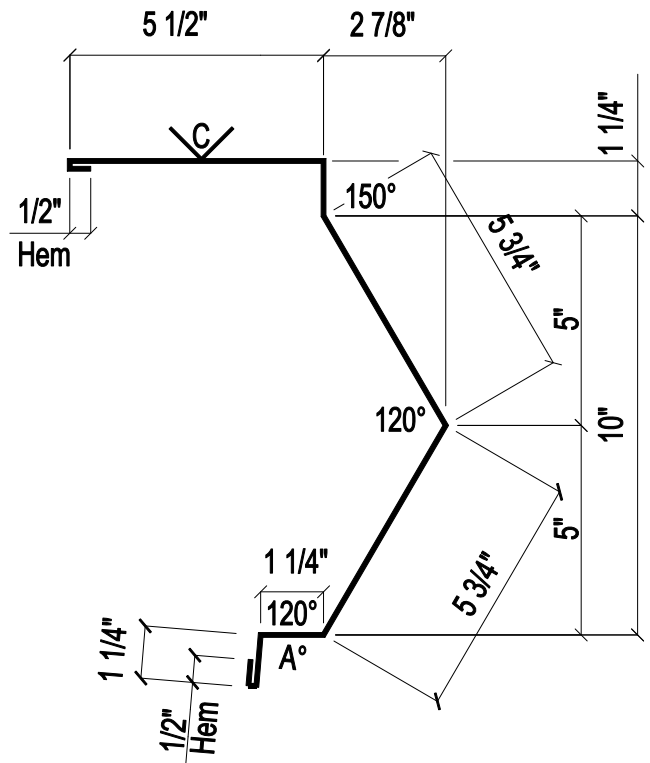
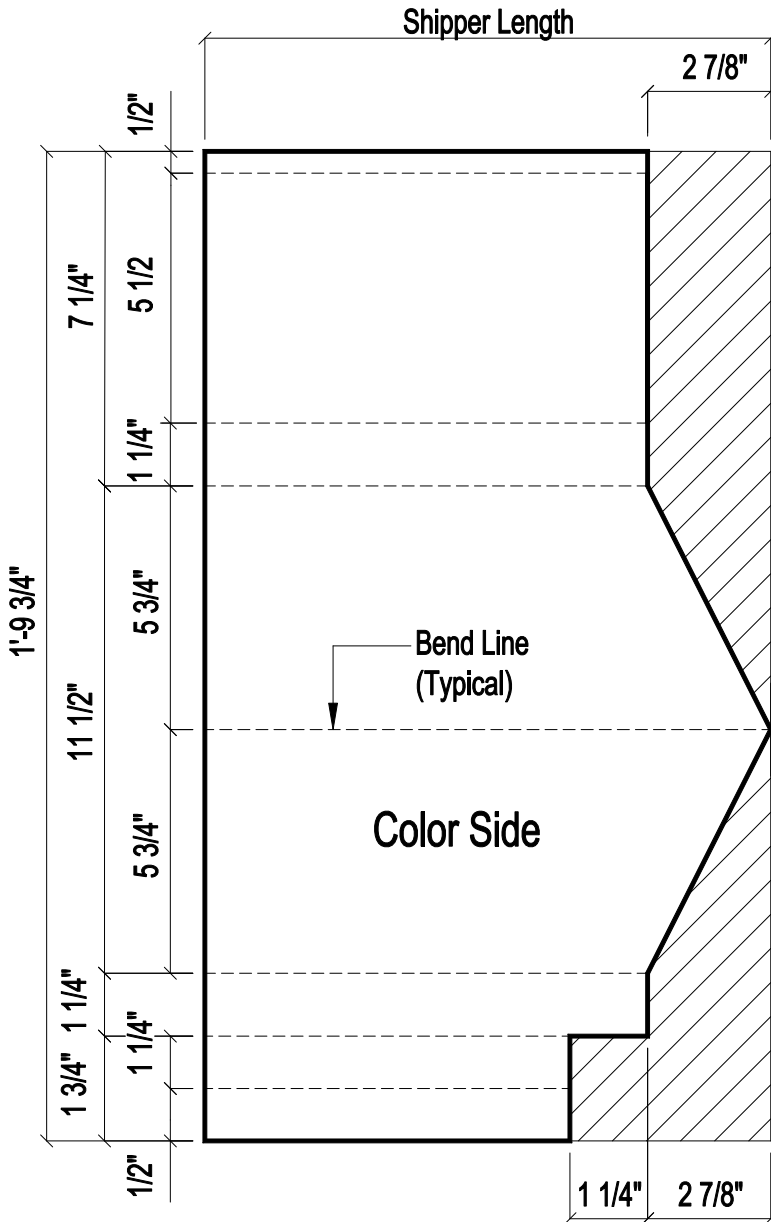


SPECIFY ROOF SLOPE

FL-121 R
FL-121 L

10" MITERED HIGH EAVE TRIM
("PBR" - NORTHERN STYLE)

Roof Slope	A
1/2:12	92
1:12	95

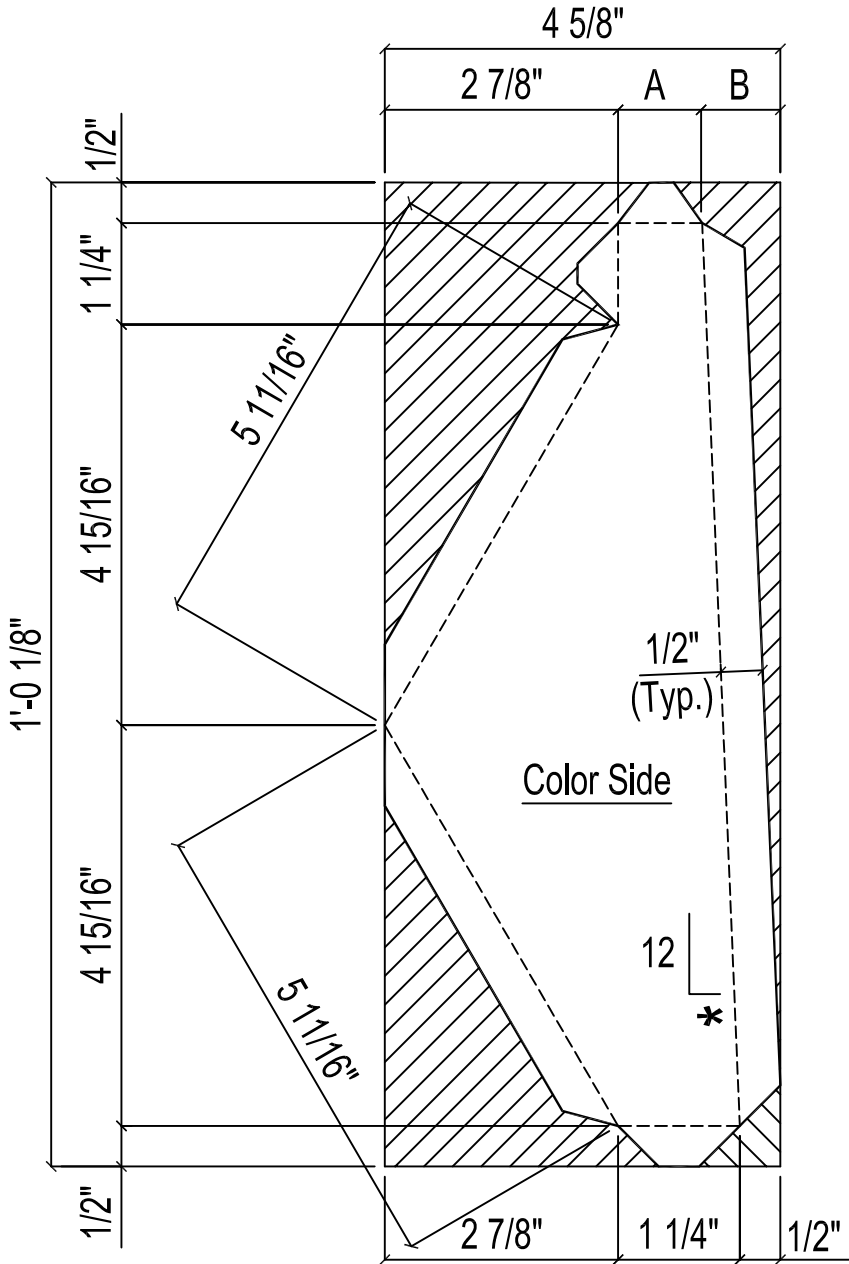


Formed View

SPECIFY ROOF SLOPE

FL-123 R
 FL-123 L

HIGH EAVE END CAP
 (10" "PBR" NORTHERN STYLE)

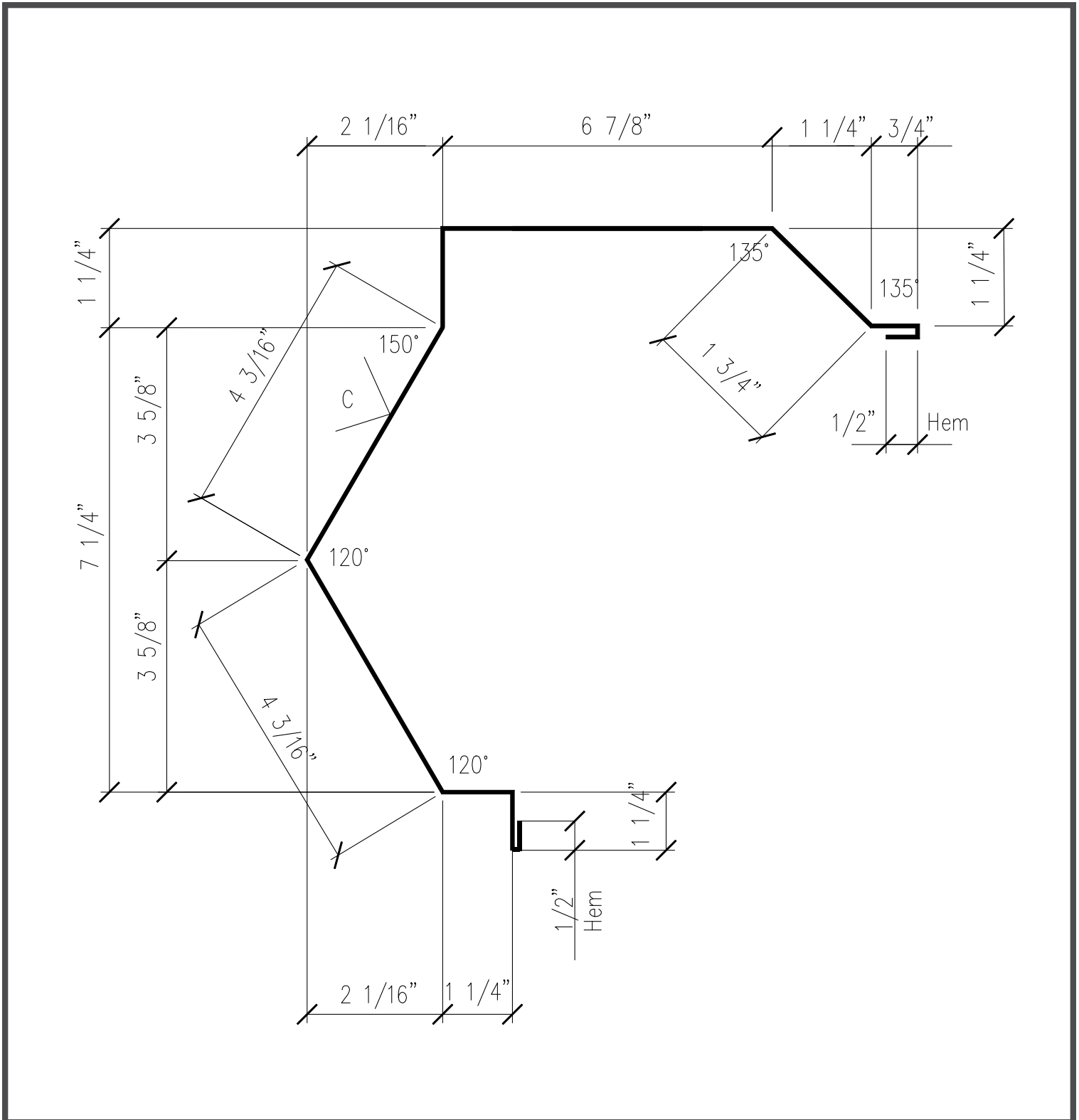


Roof Slope	A	B
1/2:12	3/4"	1"
1:12	7/16"	1 5/16"

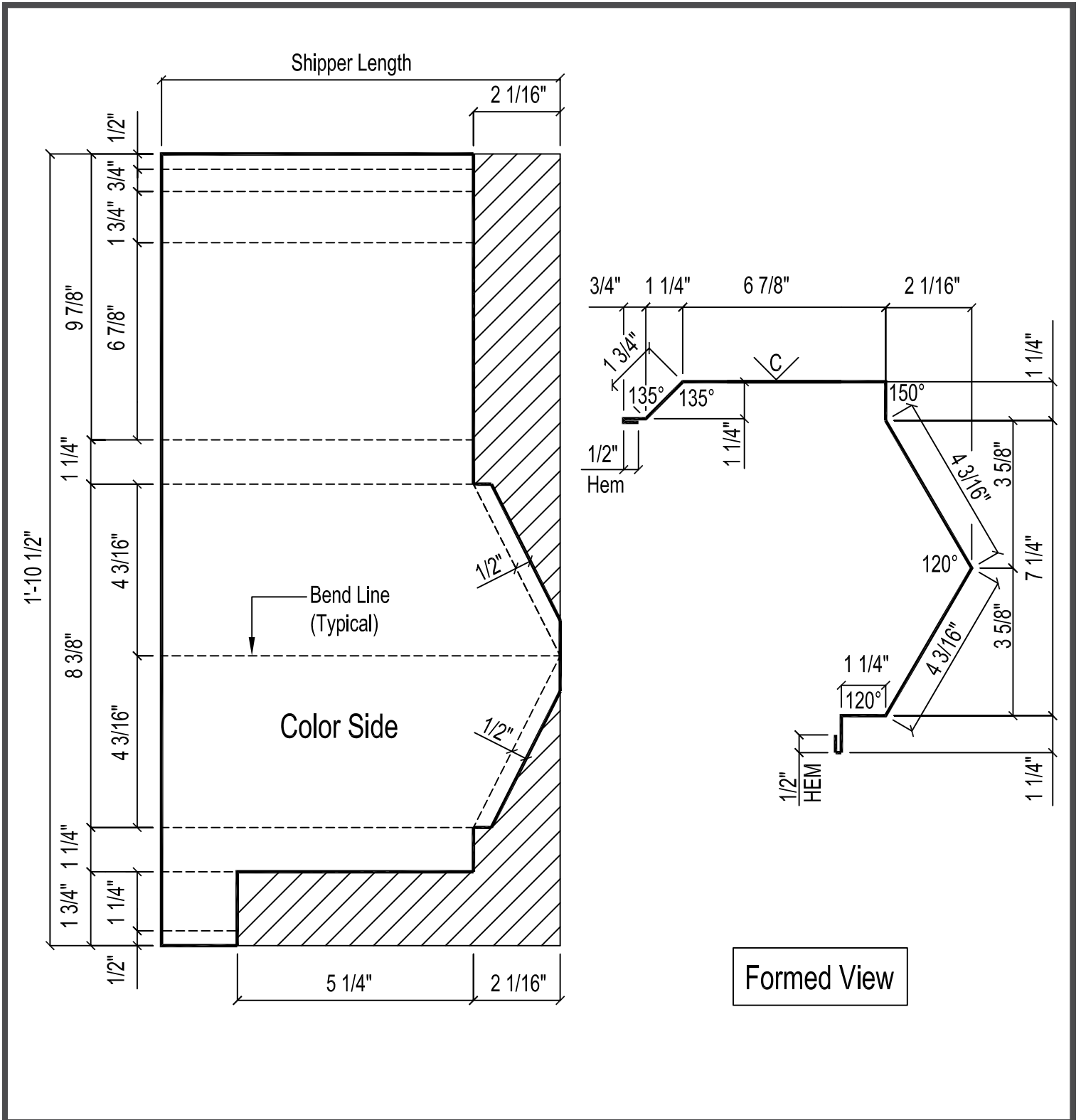
* SPECIFY ROOF SLOPE

FL-124

7 1/4" RAKE TRIM
("PBR" NORTHERN STYLE)



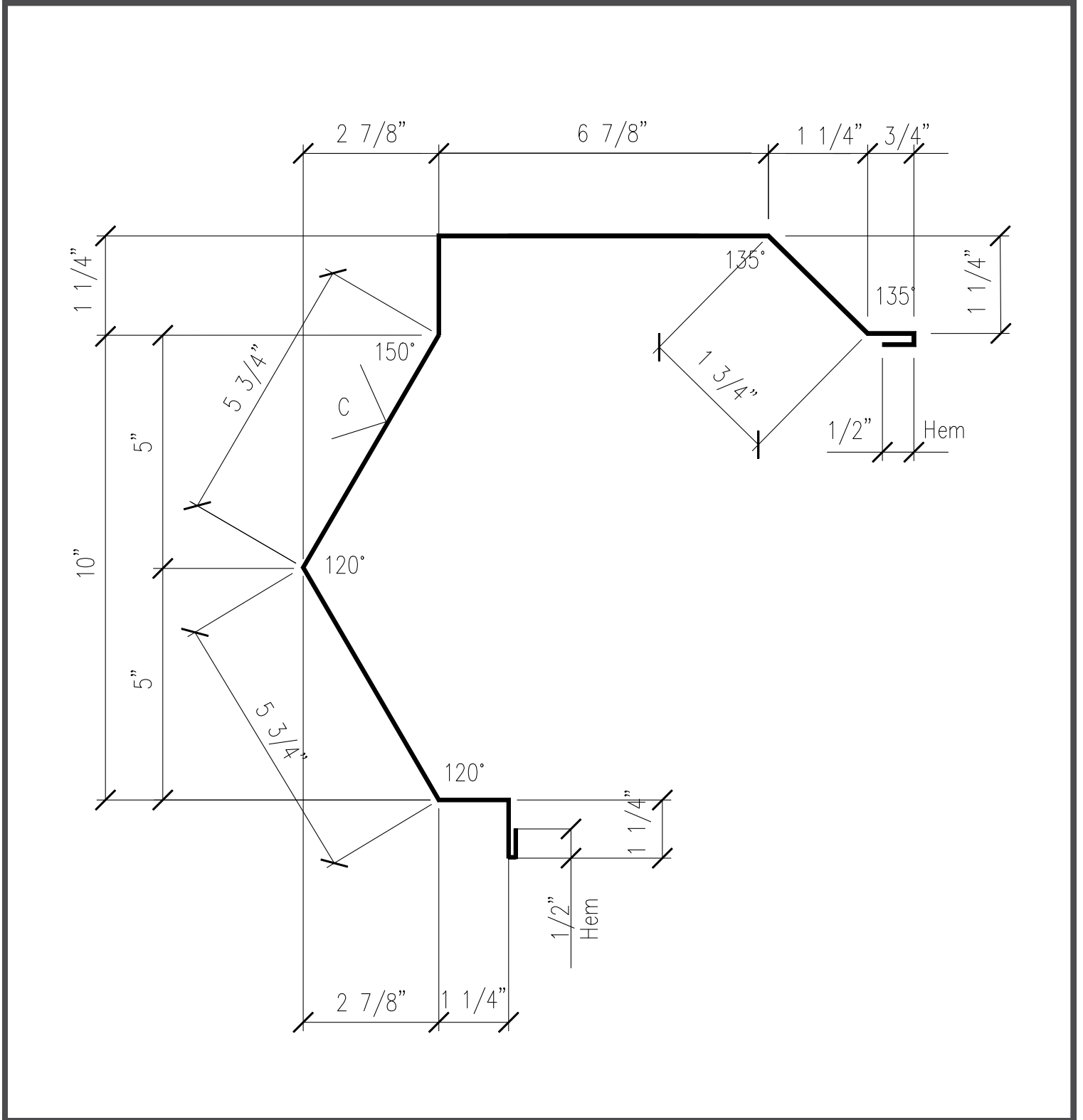
FL-124 R 7 1/4" MITERED RAKE TRIM- TO EAVE GUTTER
 FL-124 L ("PBR"- NORTHERN STYLE)



Formed View

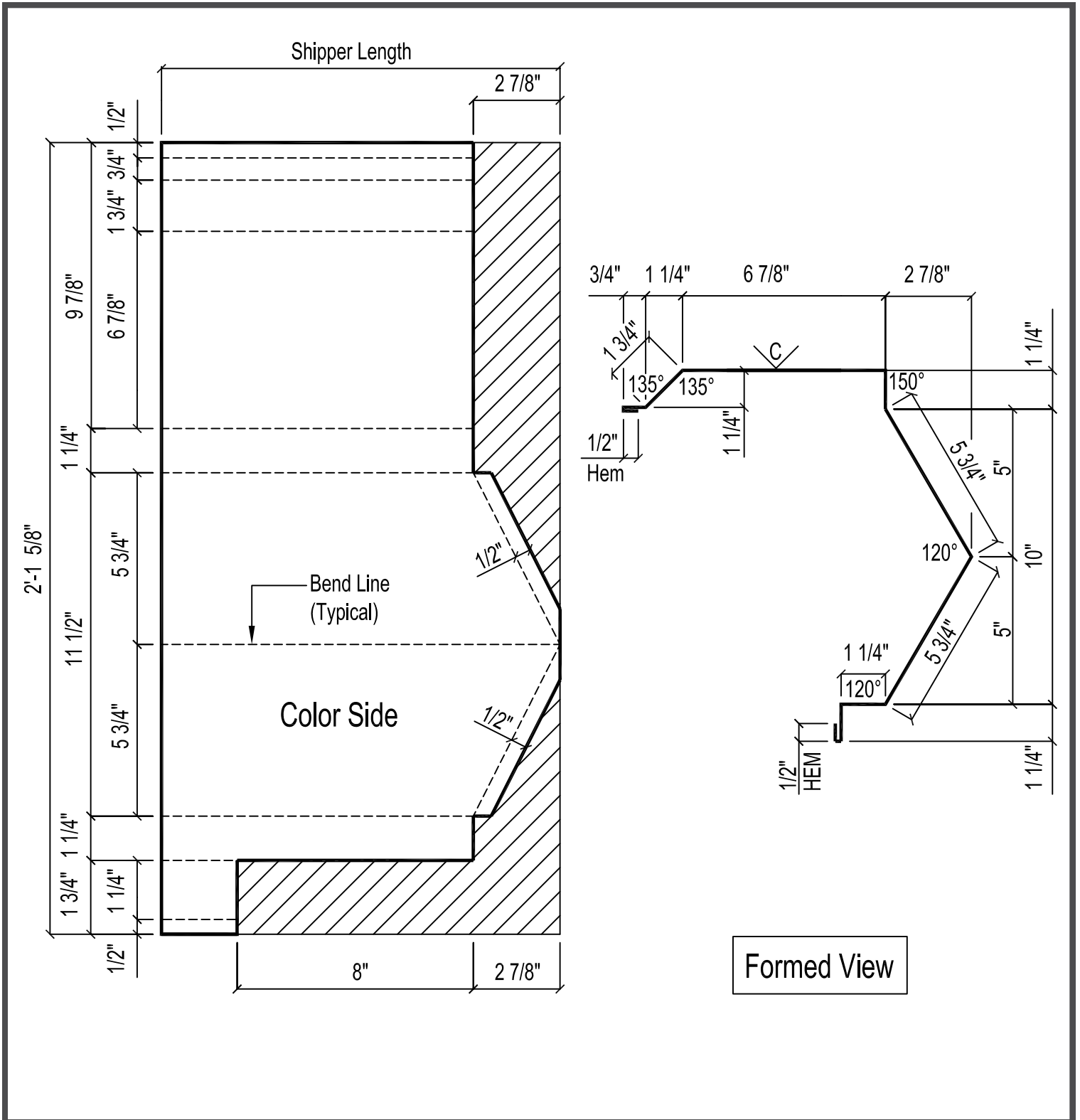
FL-125

10" RAKE TRIM ("PBR" NORTHERN STYLE)



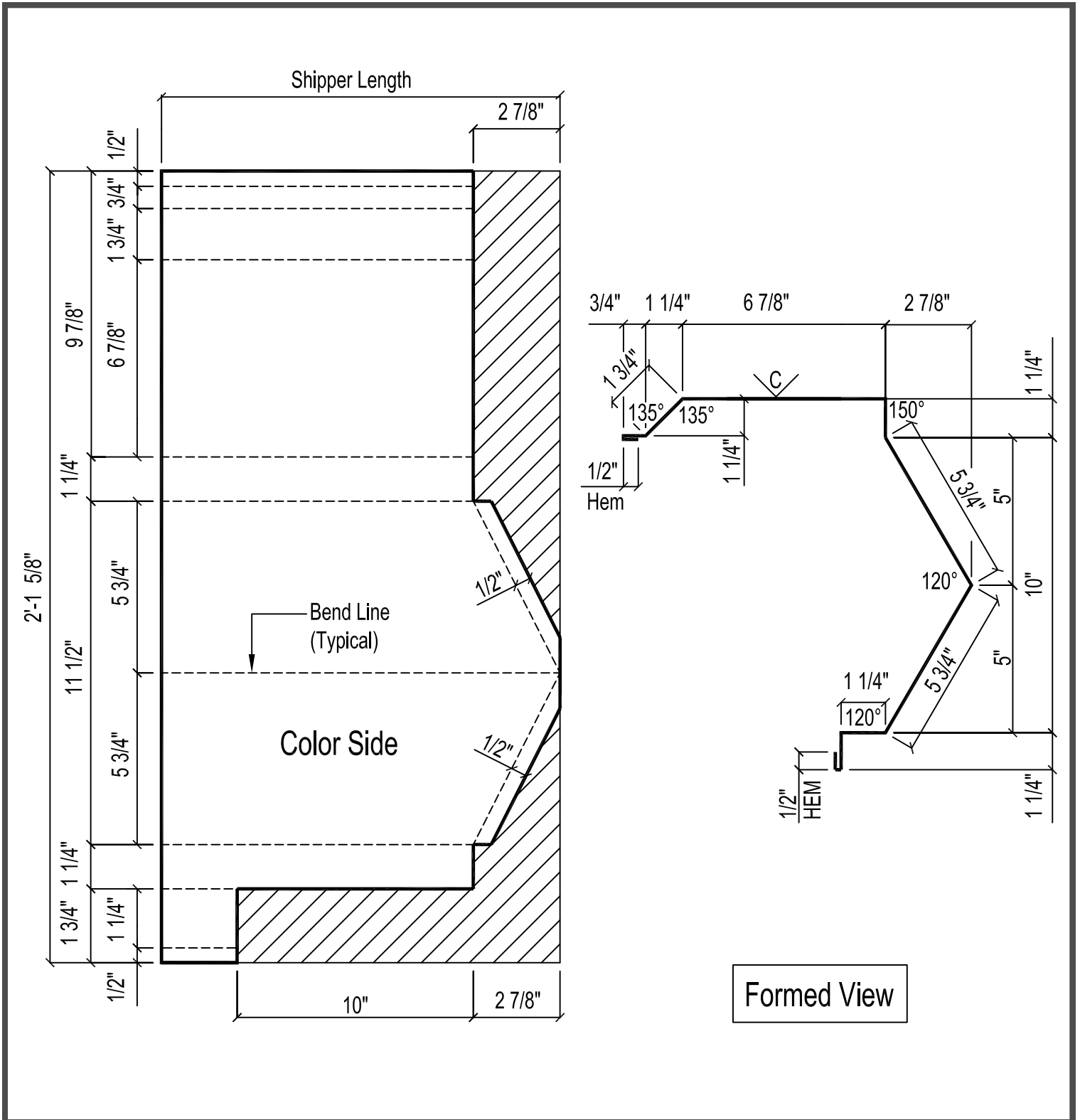
FL-125 R
FL-125 L

10" MITERED RAKE TRIM
(PBR- NORTHERN STYLE- 8" GUTTER)



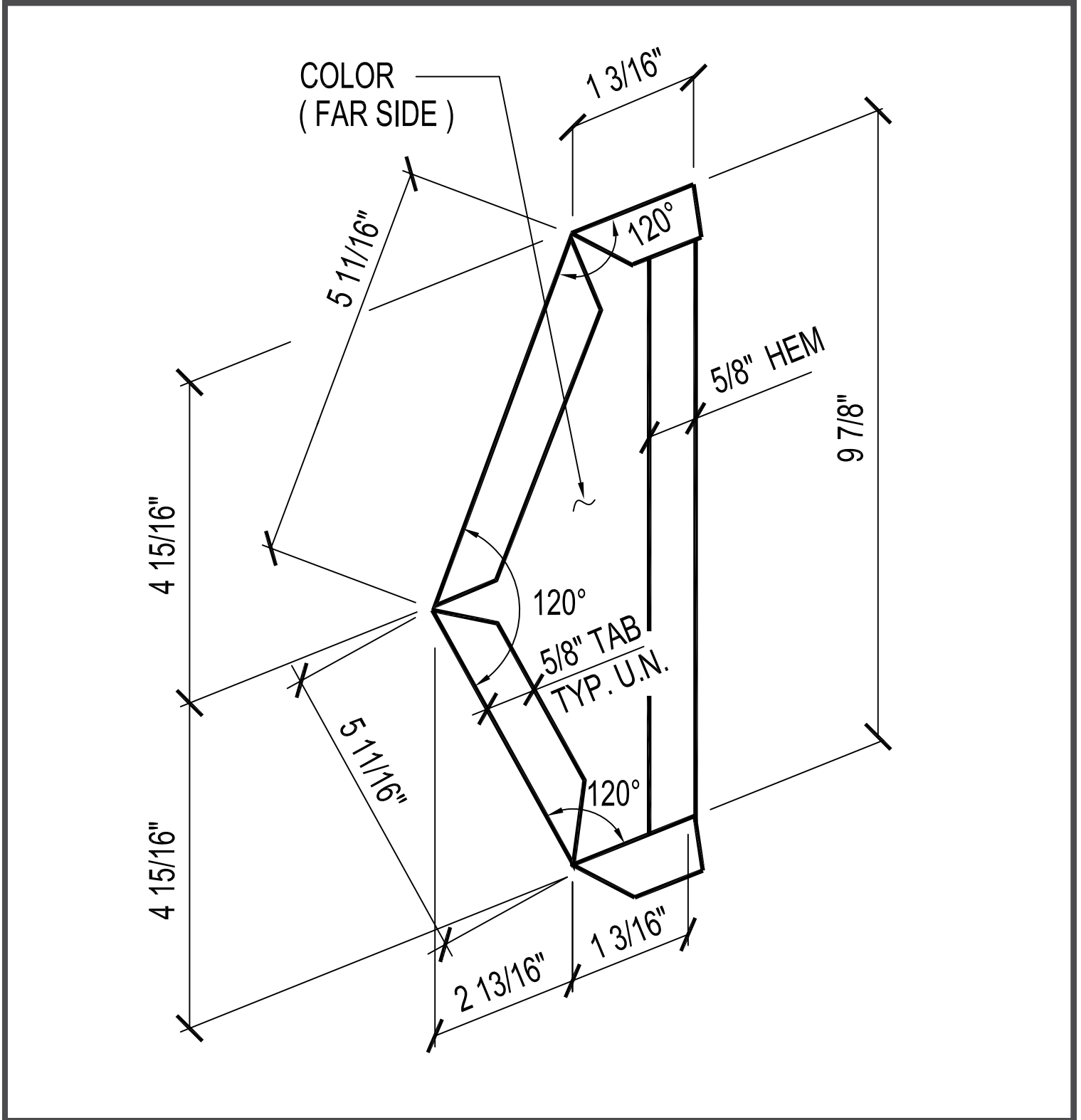
FL-126 R
 FL-126 L

10" MITERED RAKE TRIM
 (PBR- NORTHERN STYLE- 10" GUTTER)



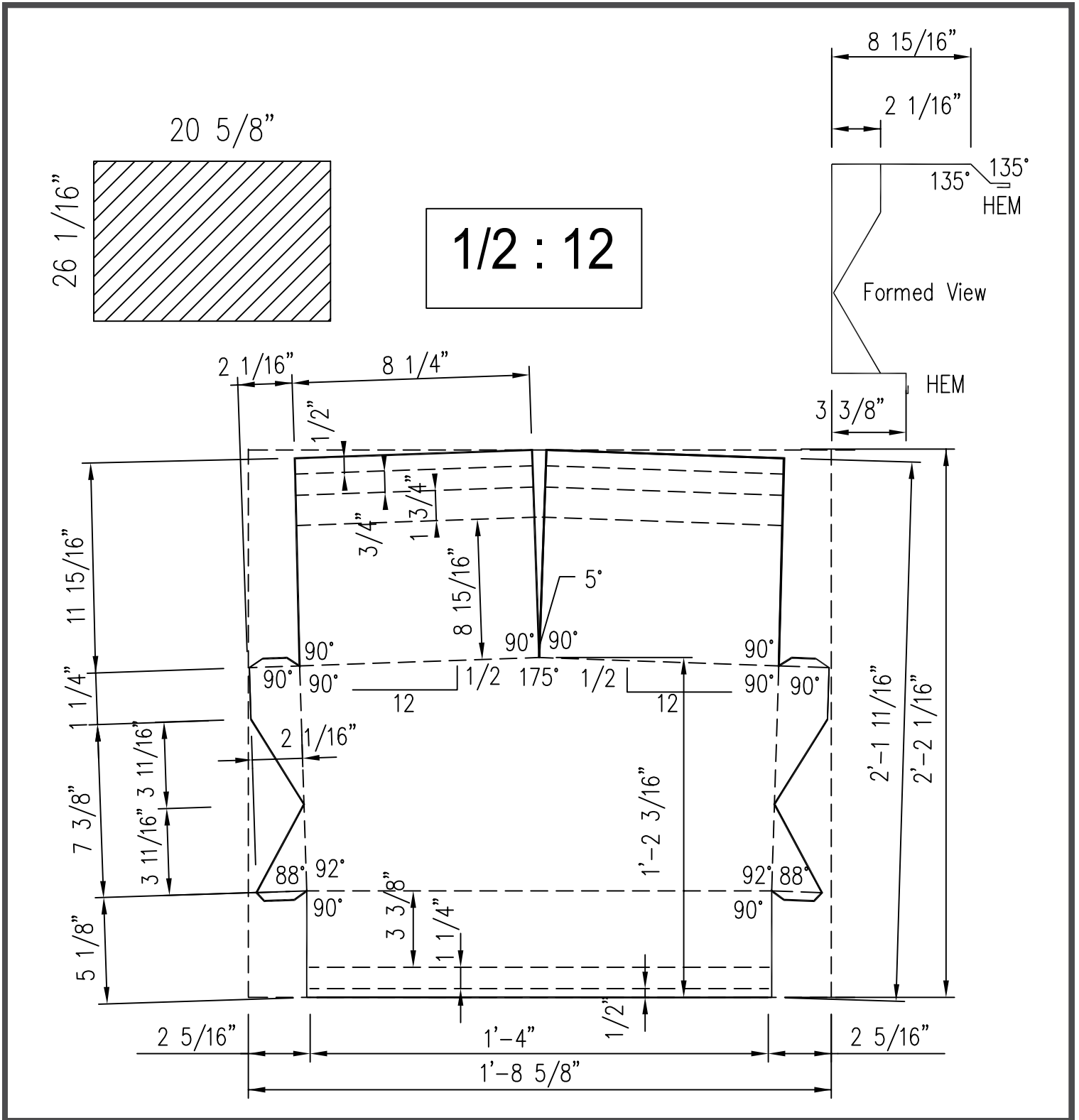
FL-127

10" RAKE END CAP
("PBR" FOR NORTHERN STYLE)



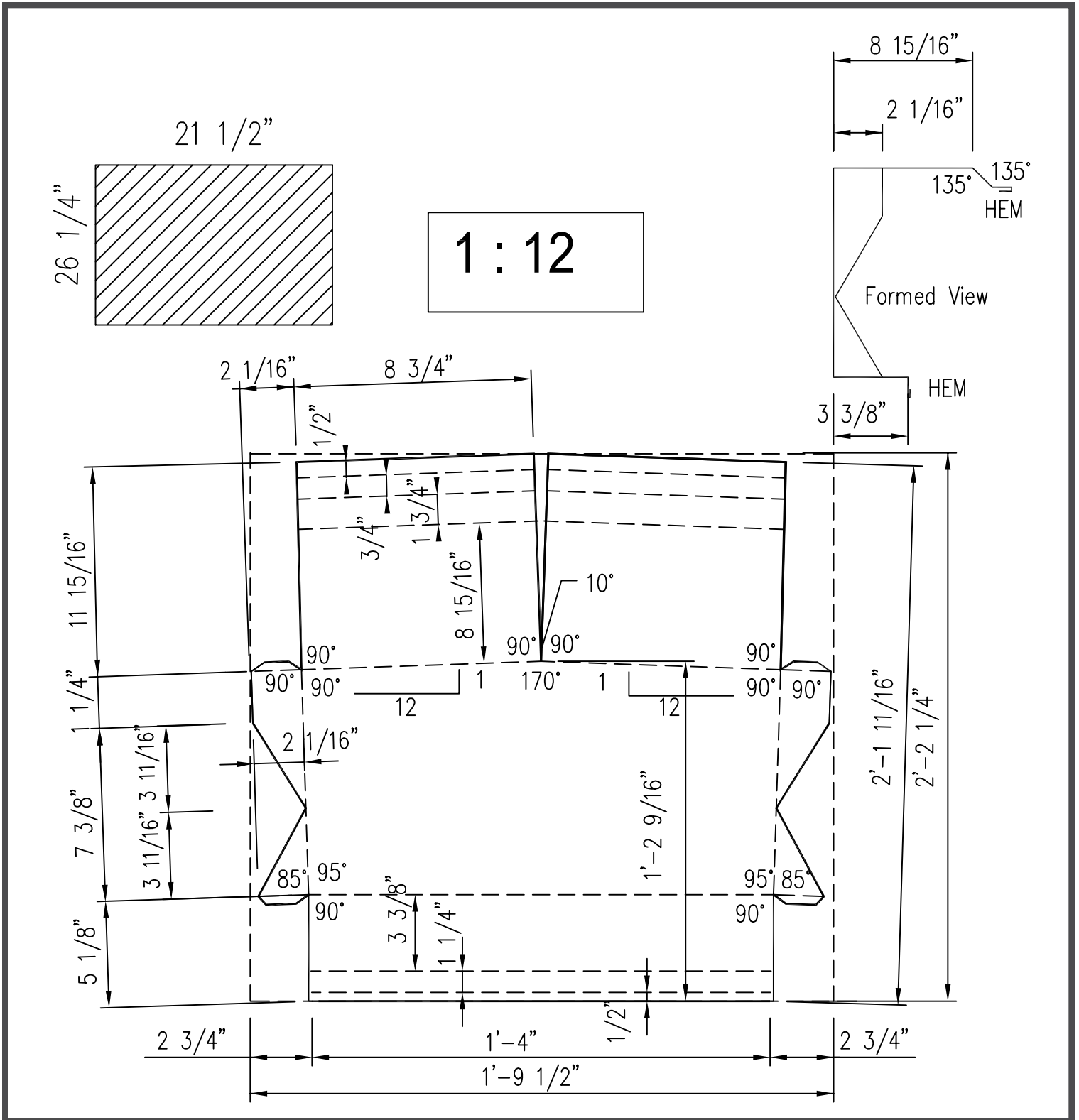
FL-128

7 1/4" E PANSION PEAK BO
(NORTHERN STYLE- PBR)

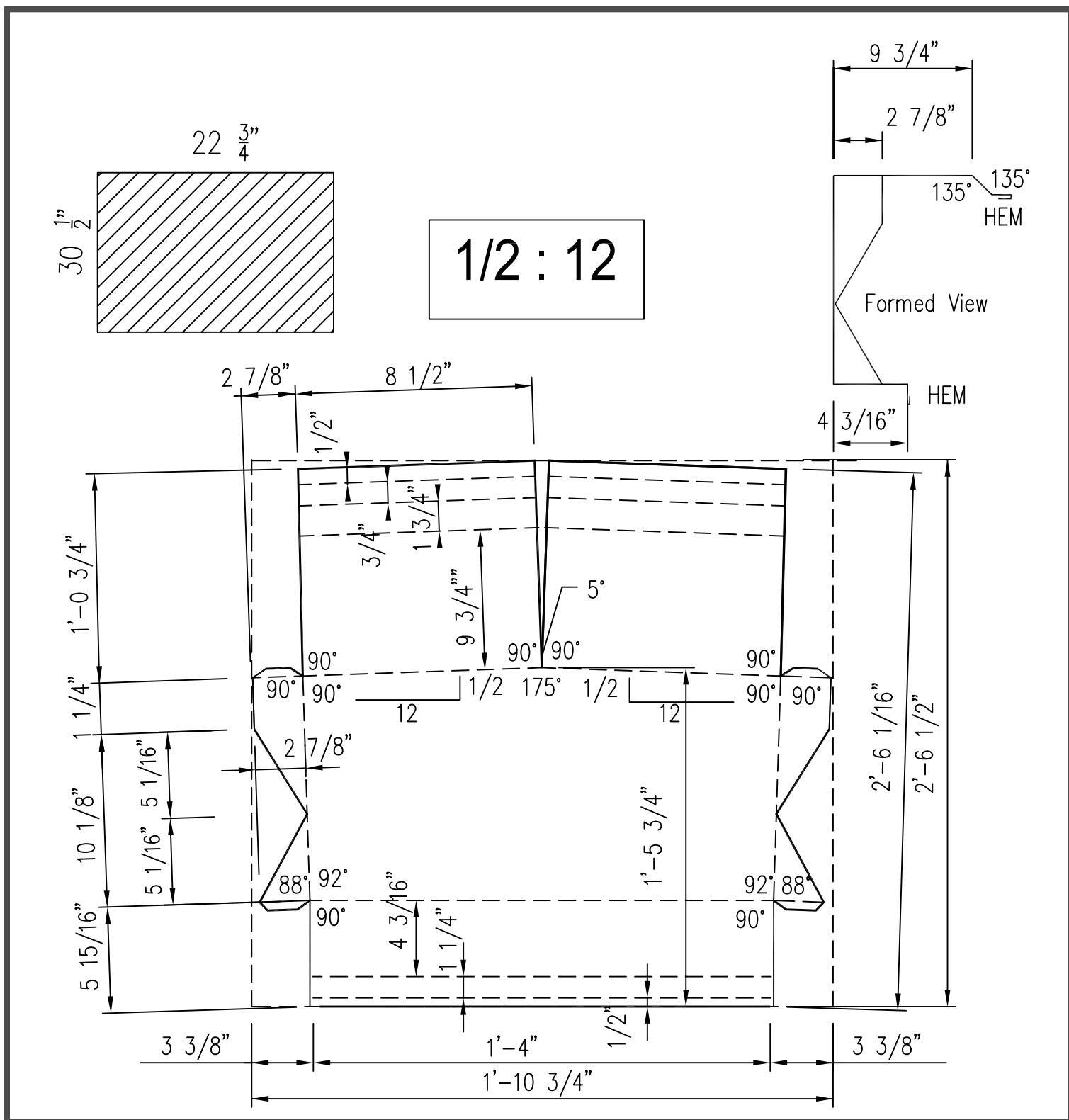


FL-12

7 1/4" E PANSION PEAK BO
(NORTHERN STYLE- PBR)

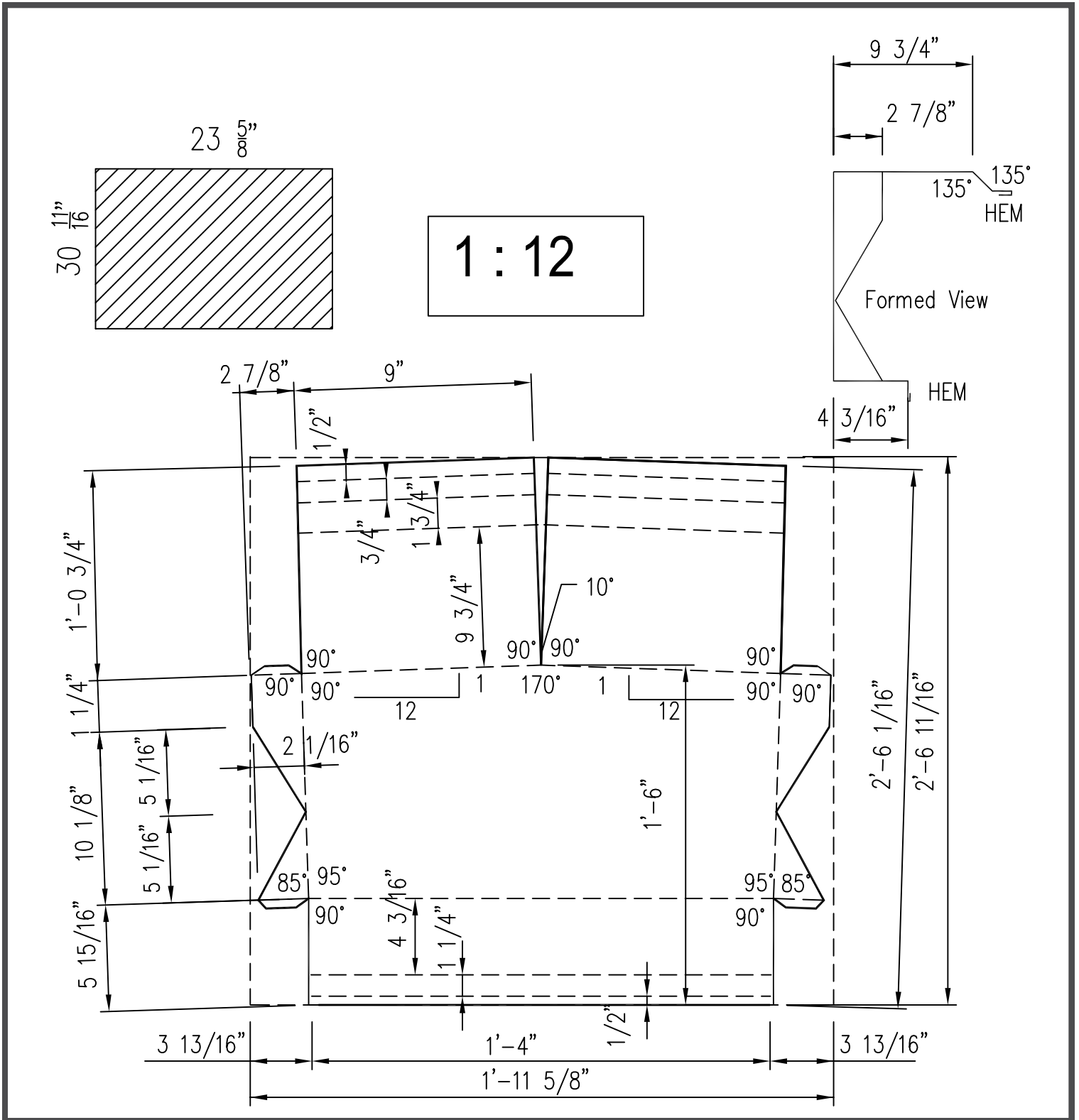


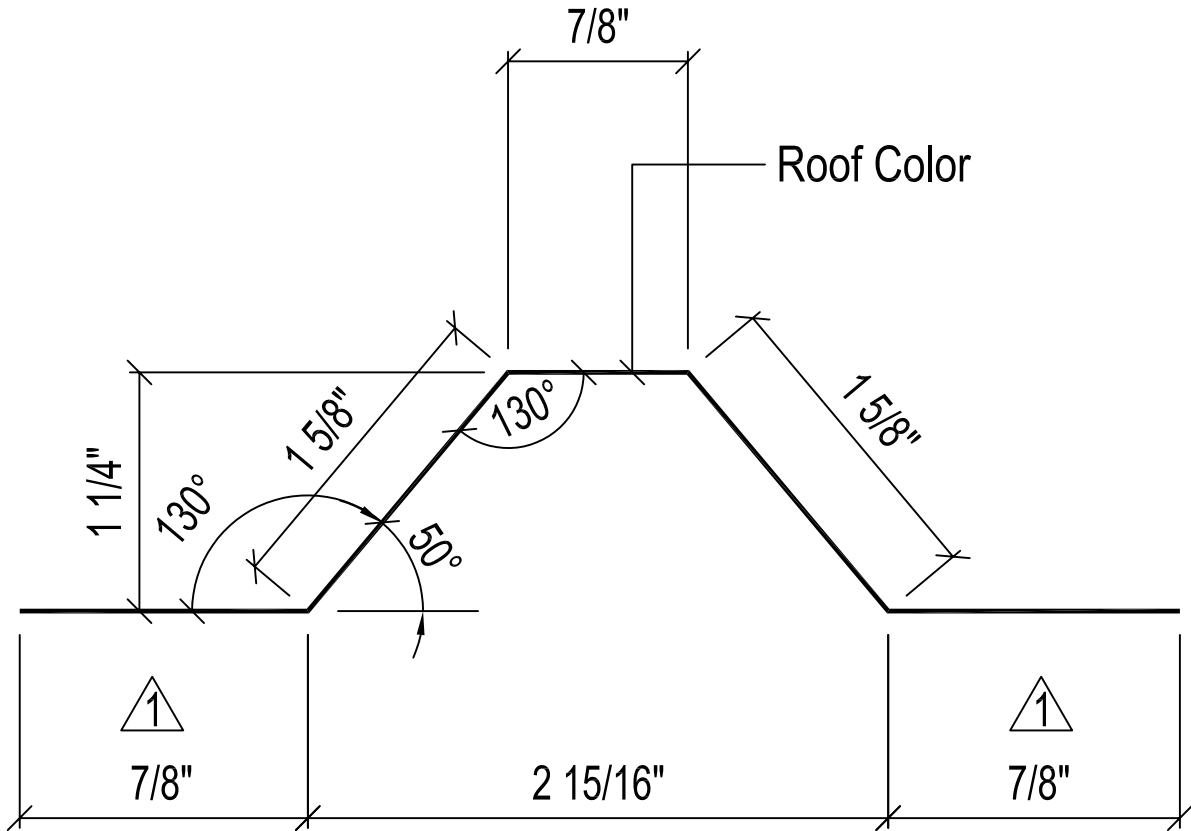
10" E PANSION PEAK BO (NORTHERN STYLE- PBR)



FL-1 1

10" E PANSION PEAK BO
(NORTHERN STYLE- PBR)

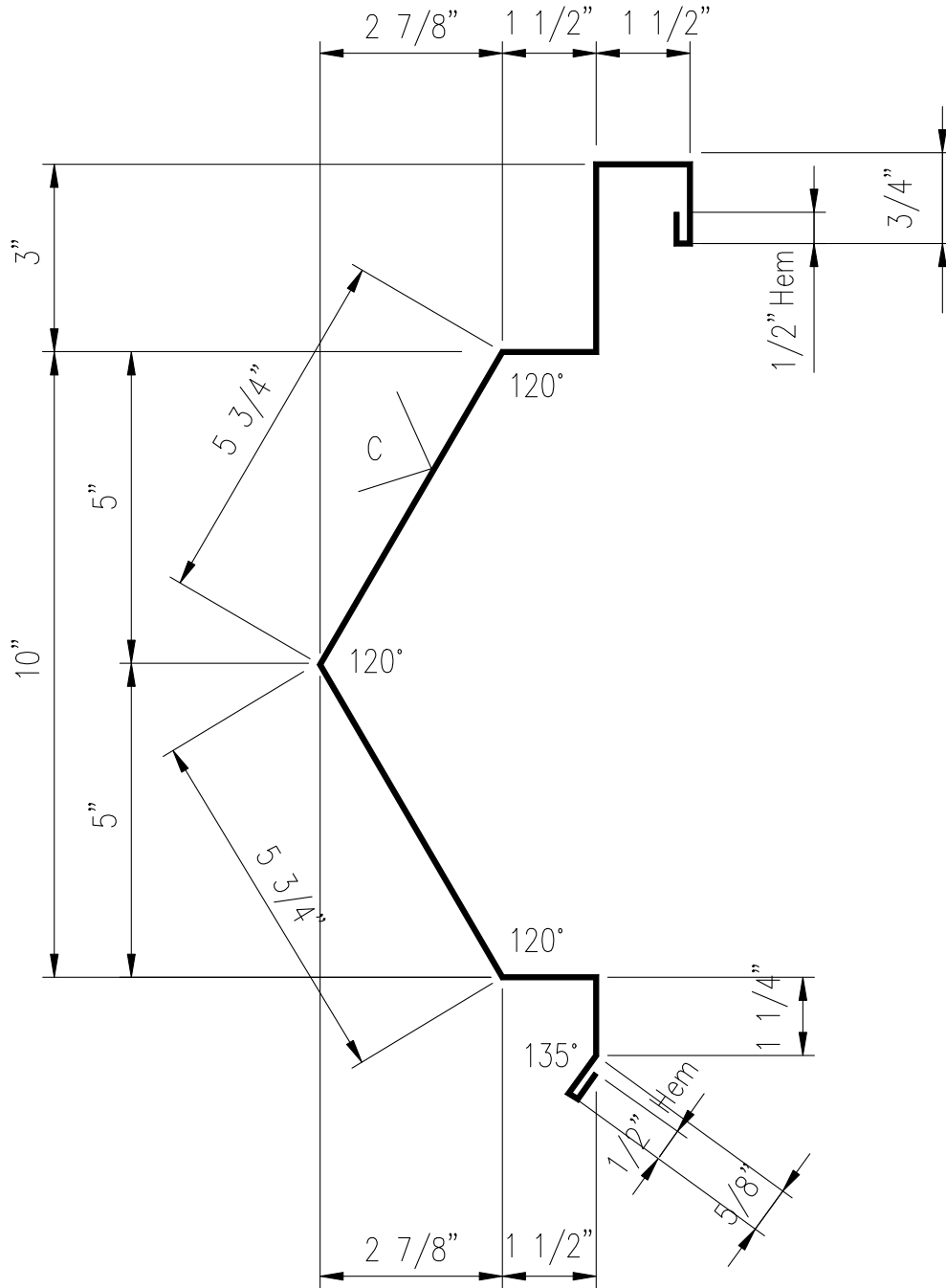




Material = 22 ga x 5 7/8" x 1'-2"

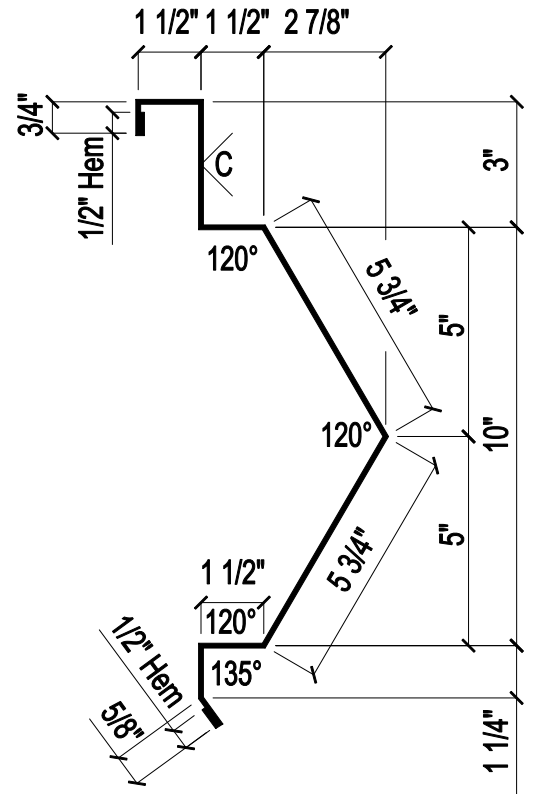
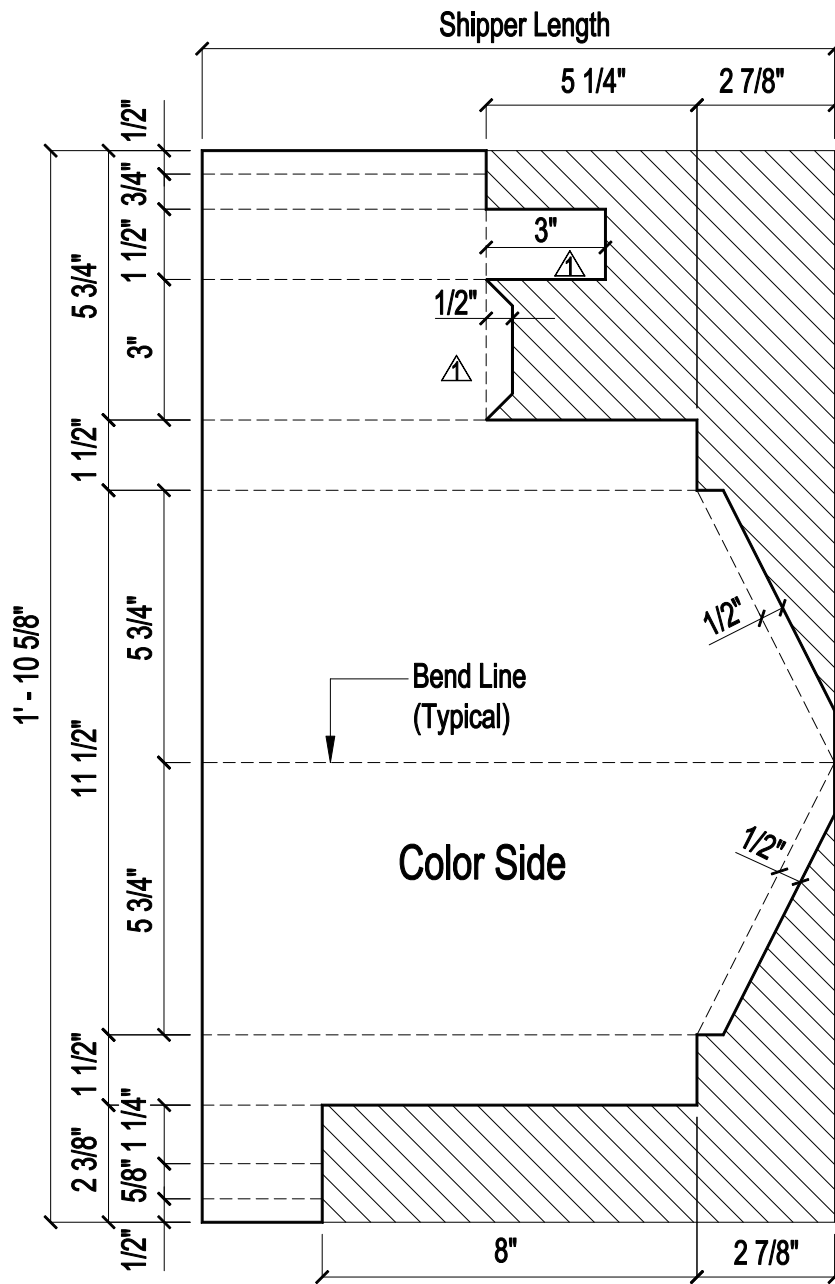
FL-136

10" RAKE TRIM
(NORTHERN STYLE- TS-324 ROOF)



FL-137 R
 FL-137 L

10" MITERED RAKE TRIM
 (NORTHERN STYLE- TS-324 - 8" GUTTER)

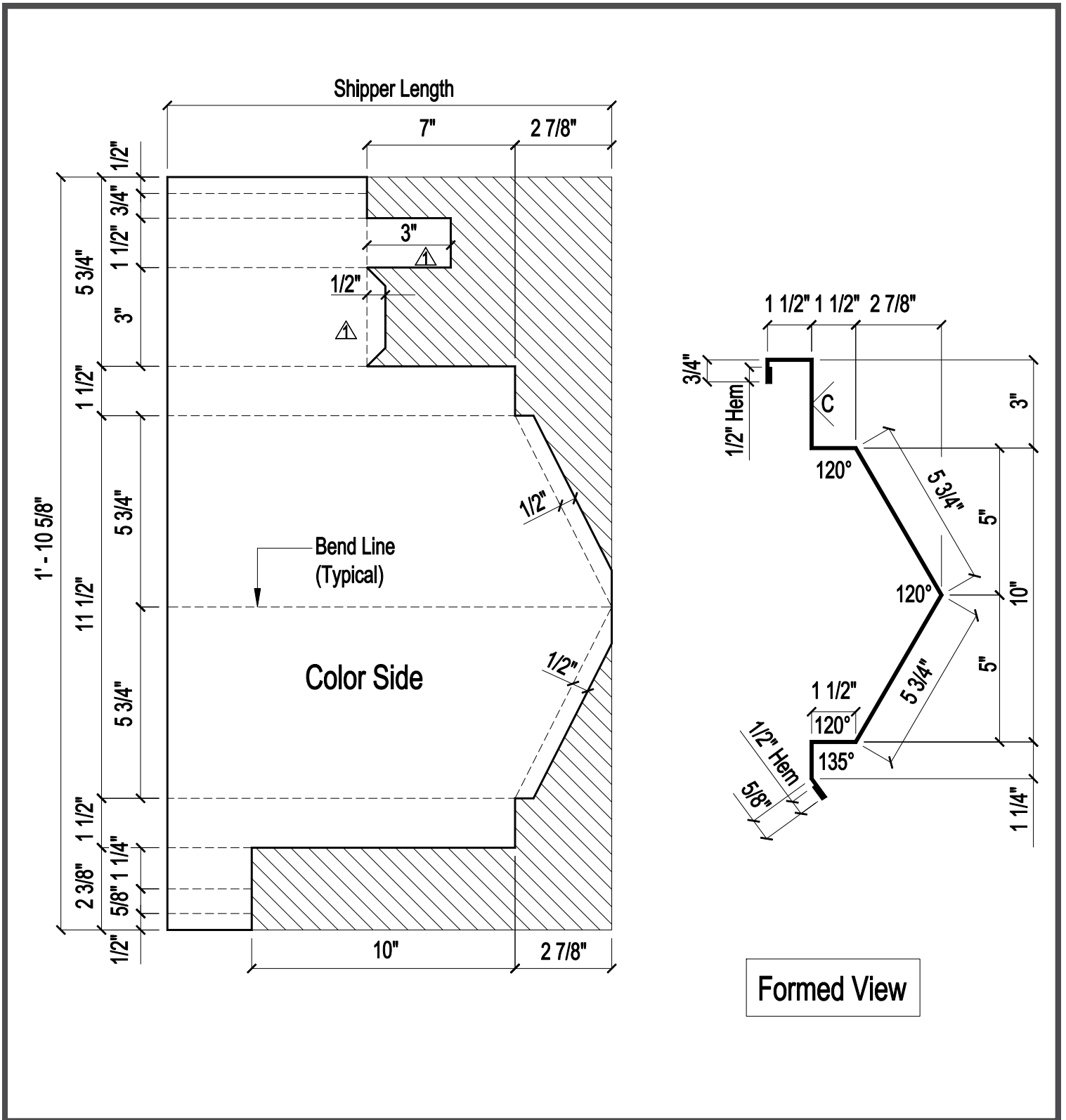


Formed View

FL-138 R

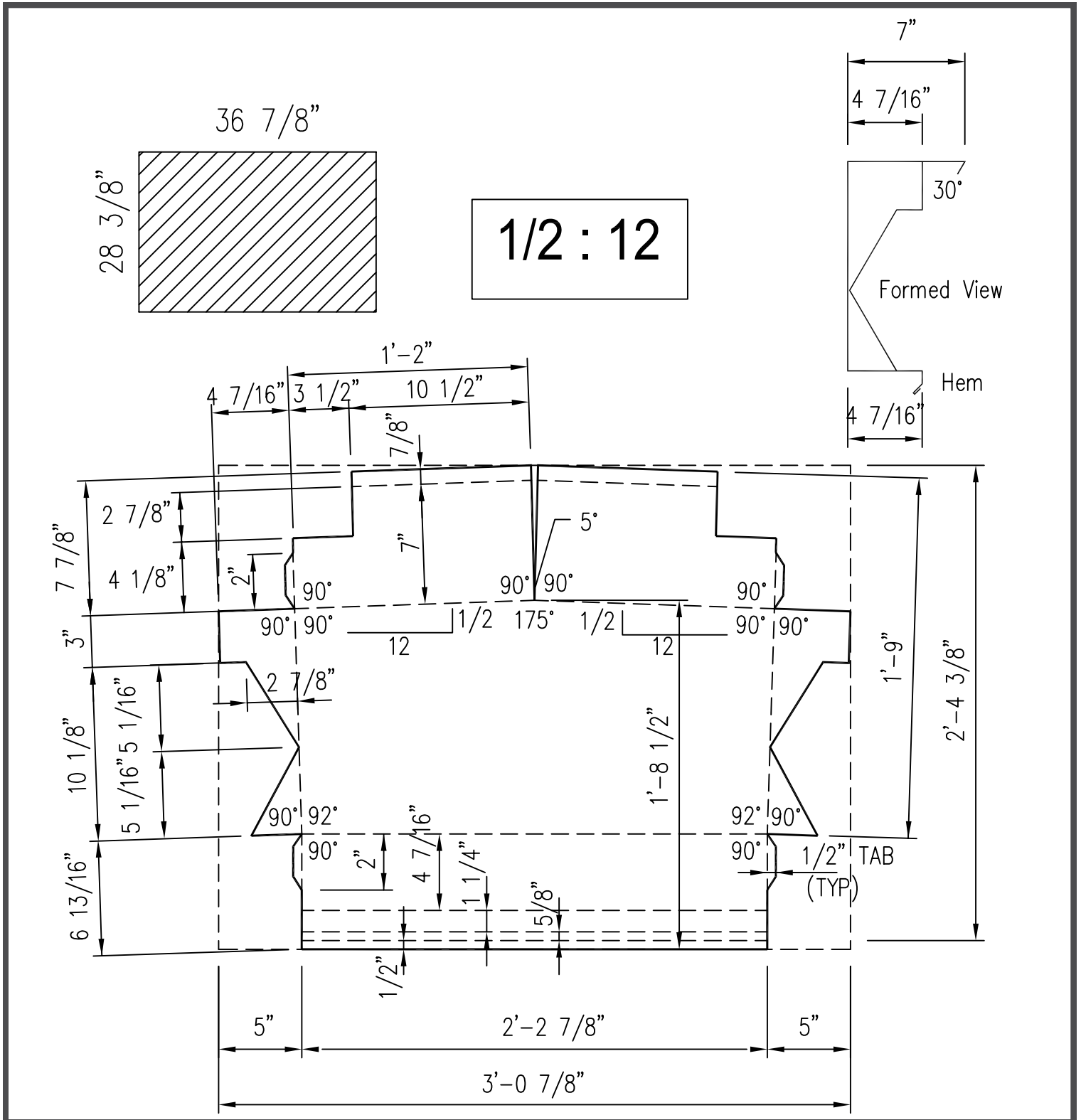
FL-138 L

10" MITERED RAKE TRIM
(NORTHERN STYLE- TS-324 - 10" GUTTER)



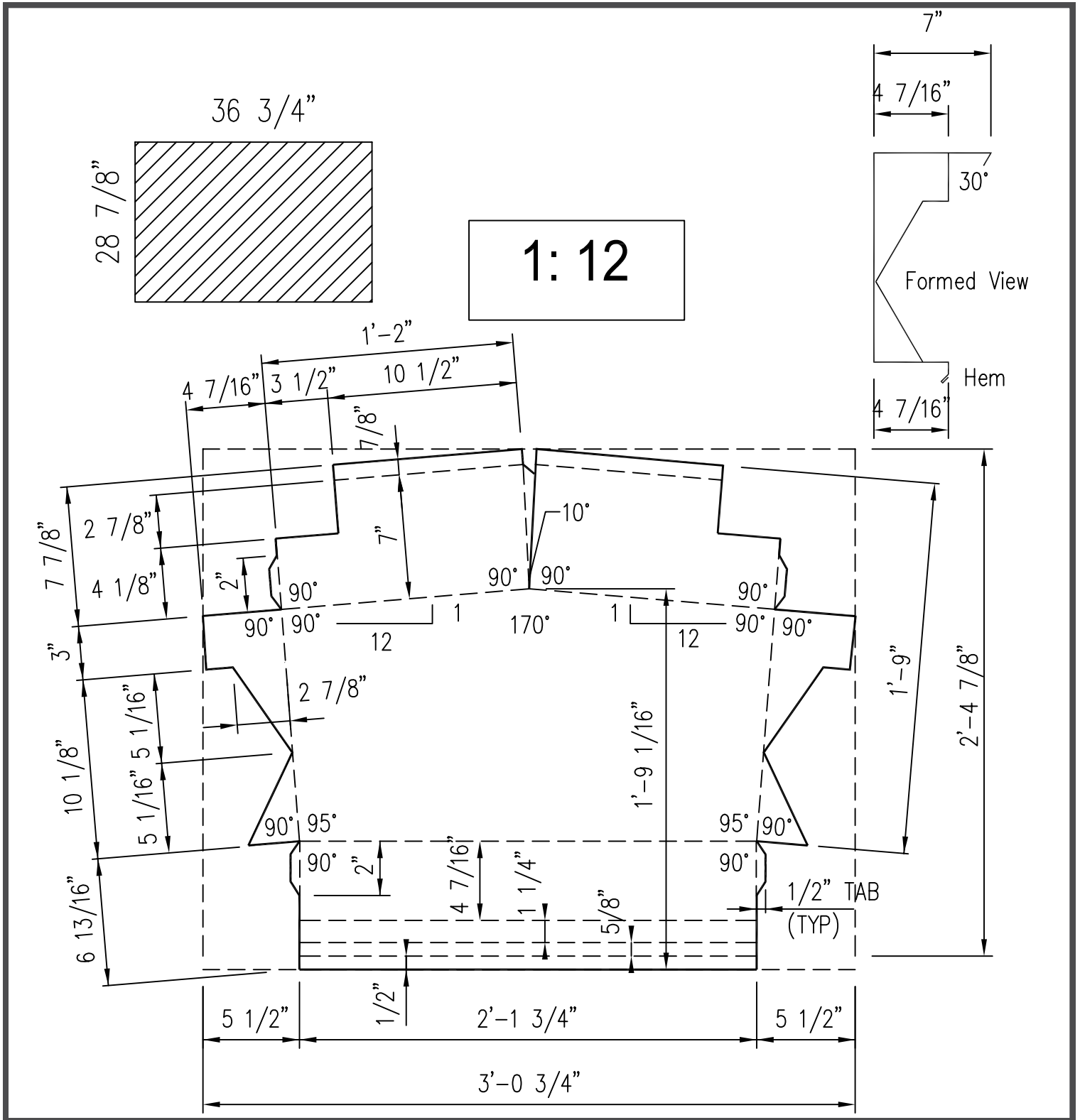
FL-1

10" E PANSION PEAK BO (NORTHERN STYLE- TS-324)



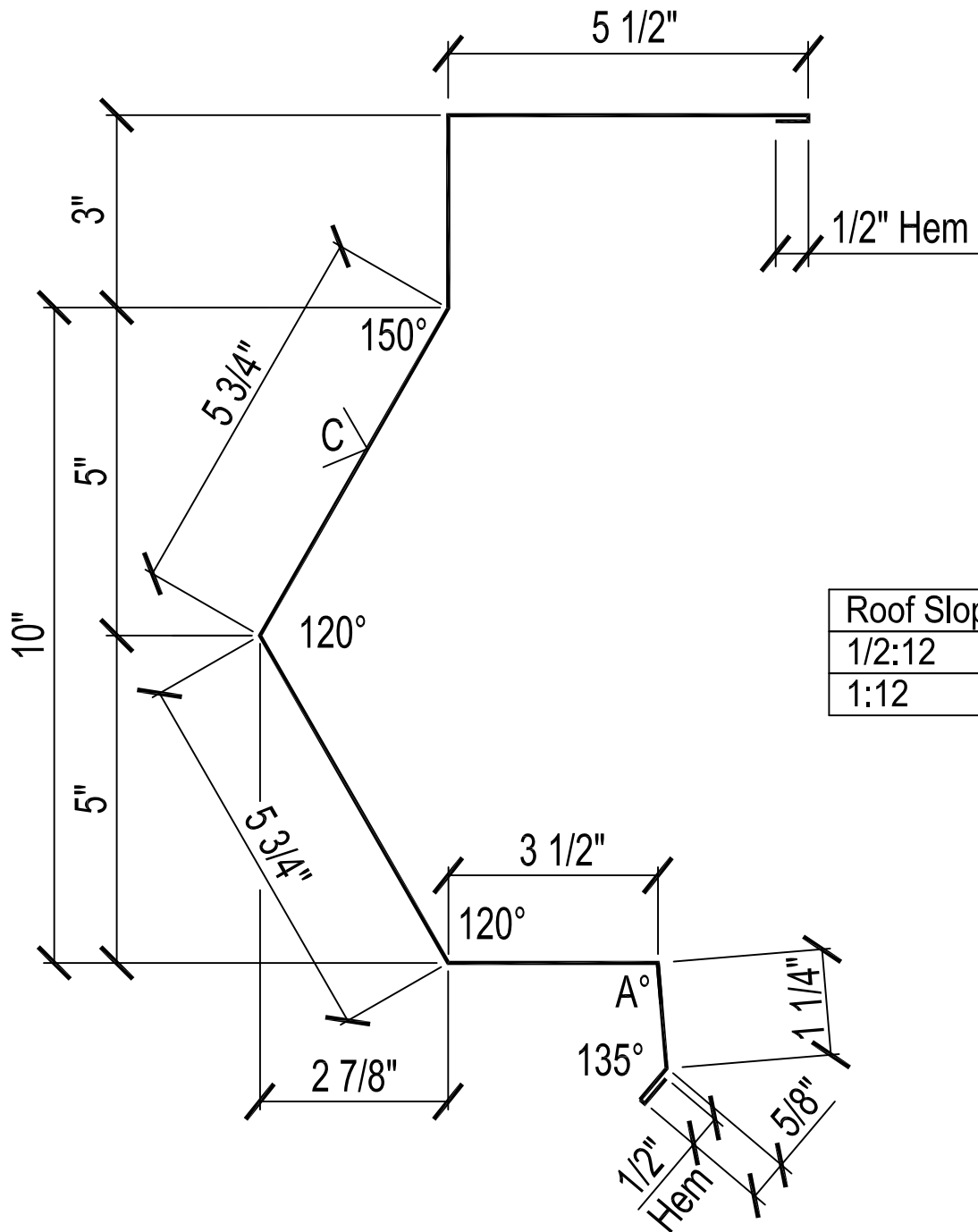
FL-140

10" E PANSION PEAK BO
(NORTHERN STYLE- TS-324)



FL-141

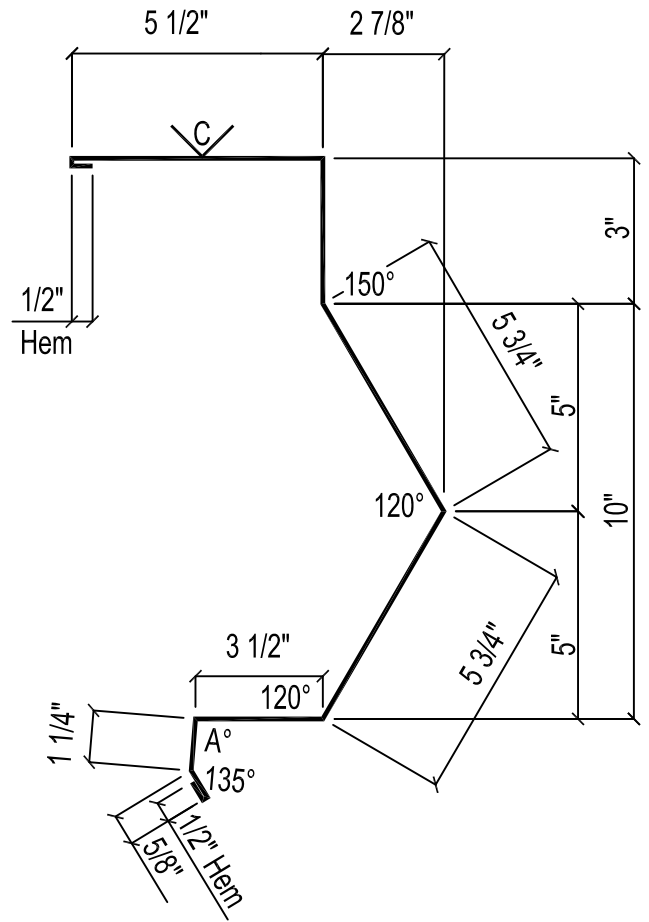
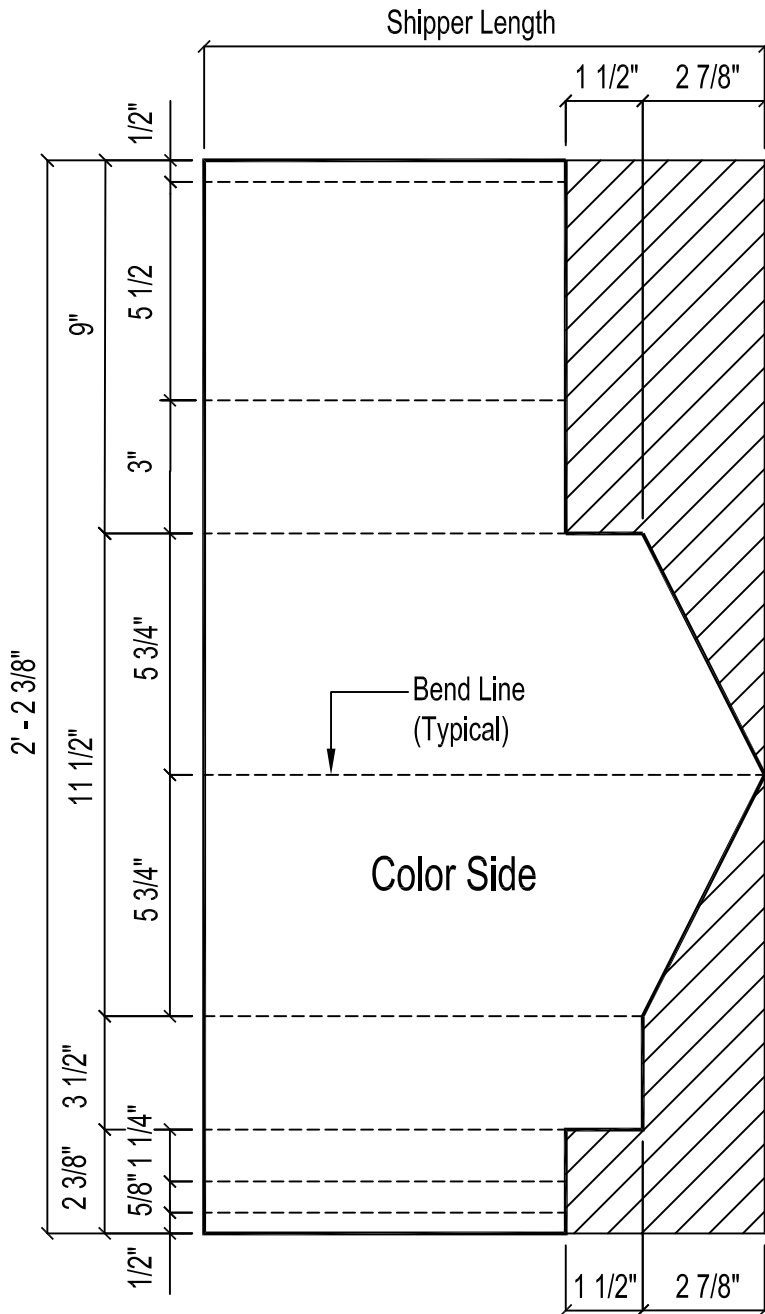
10" HIGH SIDE EAVE TRIM
(NORTHERN STYLE- TS-324 ROOF)



FL-141 R
FL-141 L

10" MITERED HIGH EAVE TRIM
(NORTHERN STYLE- TS-324 ROOF)

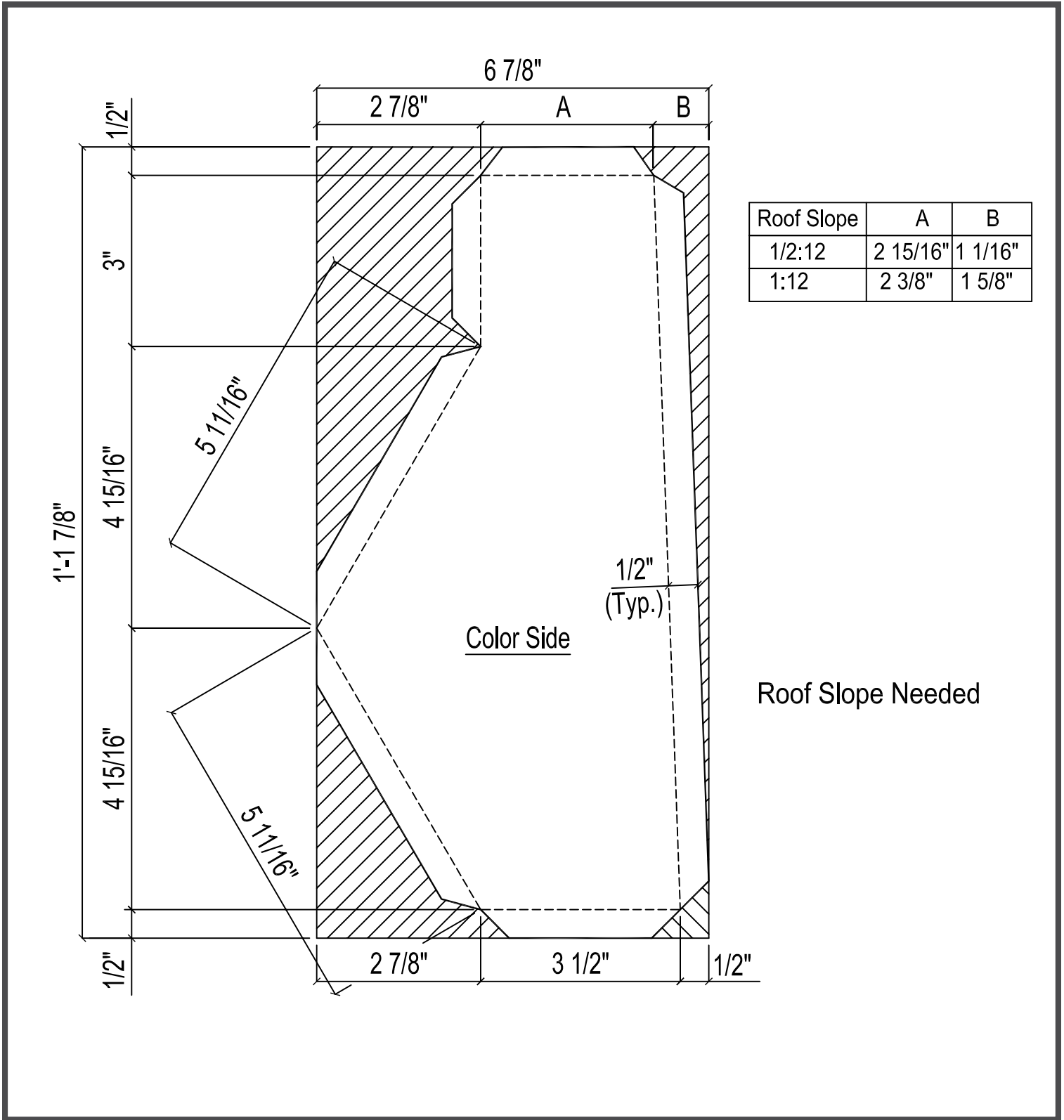
Roof Slope	A
1/2:12	92
1:12	95



Formed View

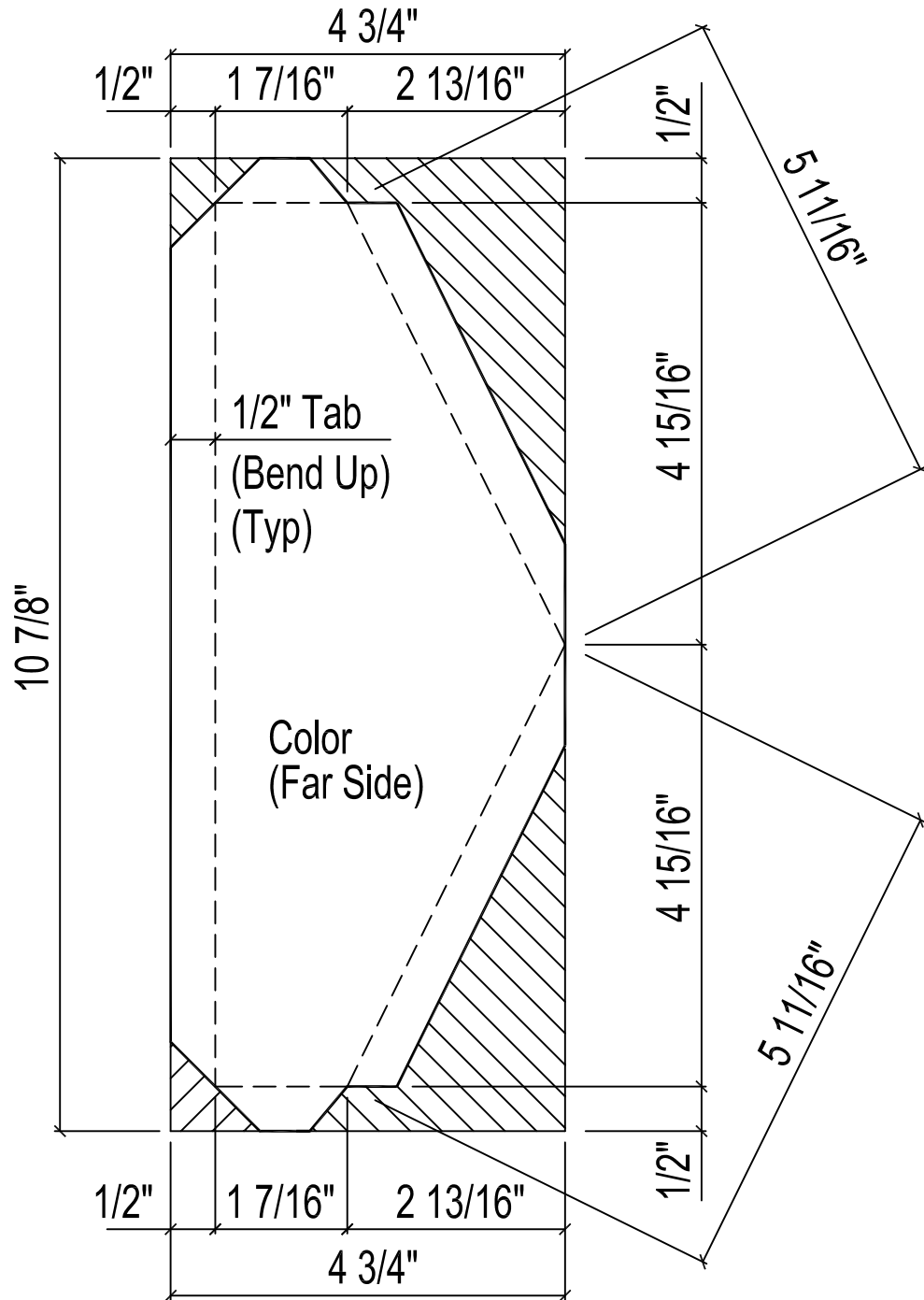
FL-142 R
 FL-142 L

HIGH EAVE END CAP
 (NORTHERN STYLE- TS-324 ROOF)

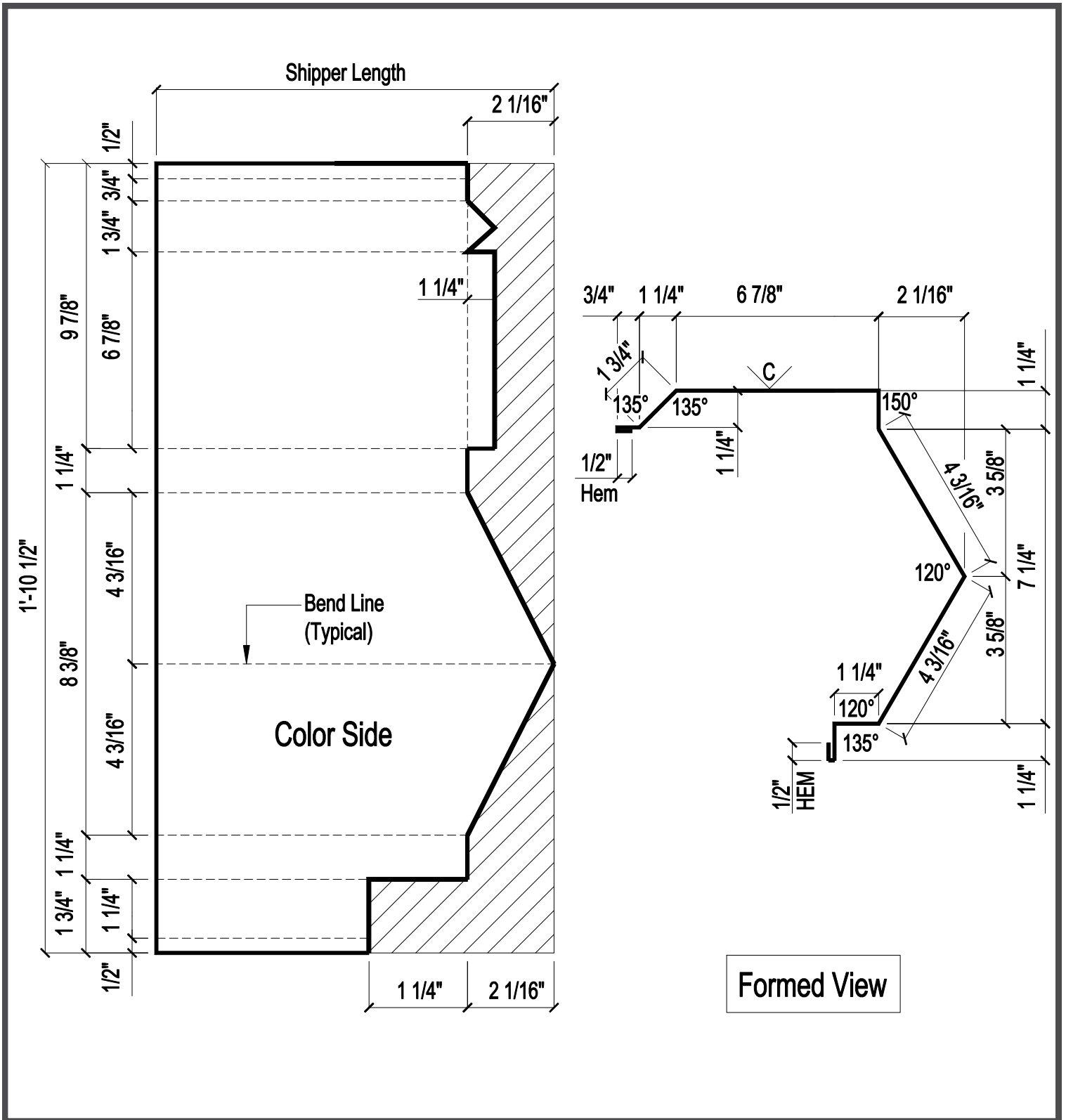


FL-143

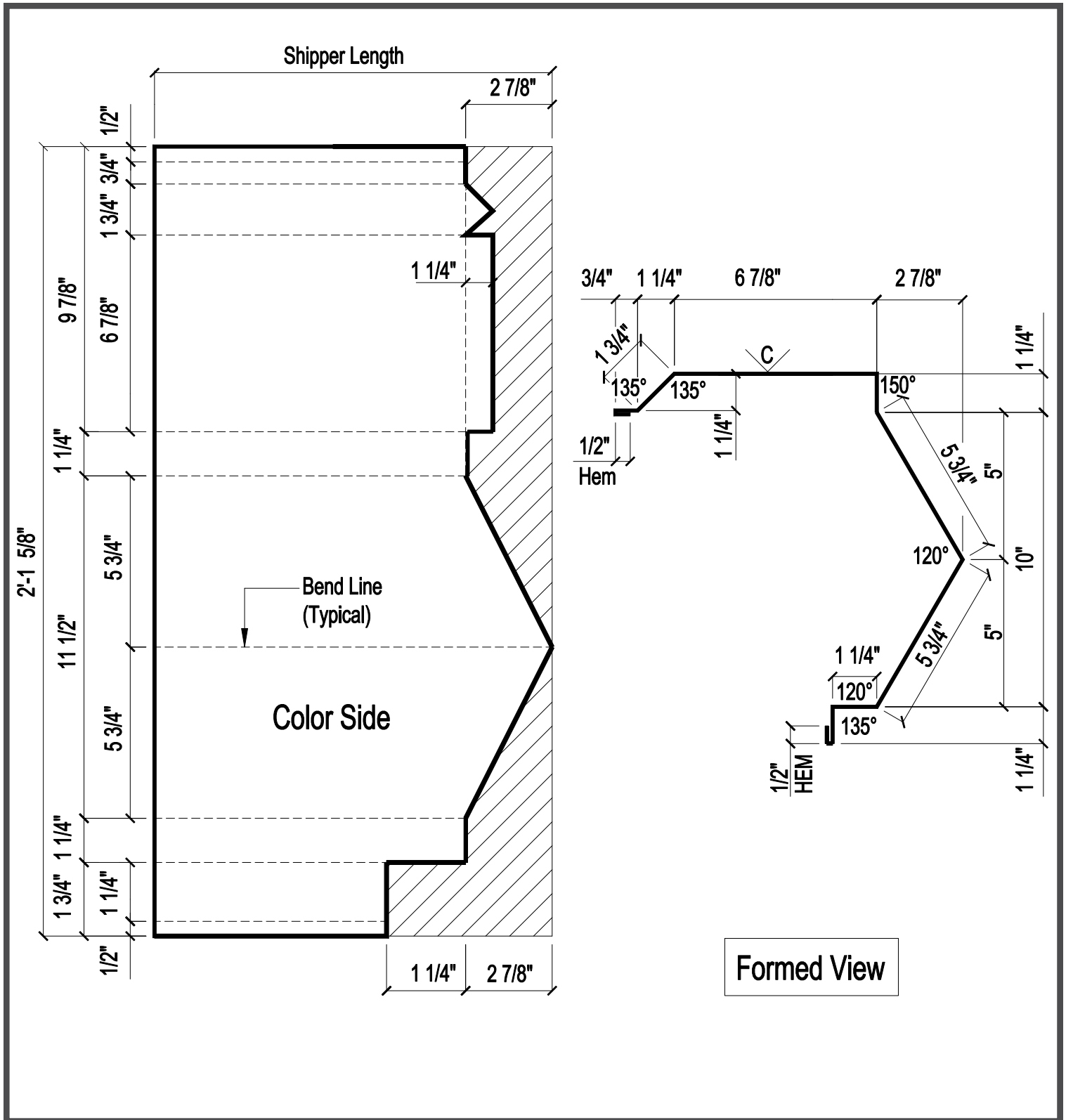
10" RAKE TRIM END CAP
(TS-324 PANEL)(NORTHERN)



FL-144 R 7 1/4" MITERED RAKE TRIM- TO SCULPTURED EAVE
 FL-144 L ("PBR"- NORTHERN STYLE)

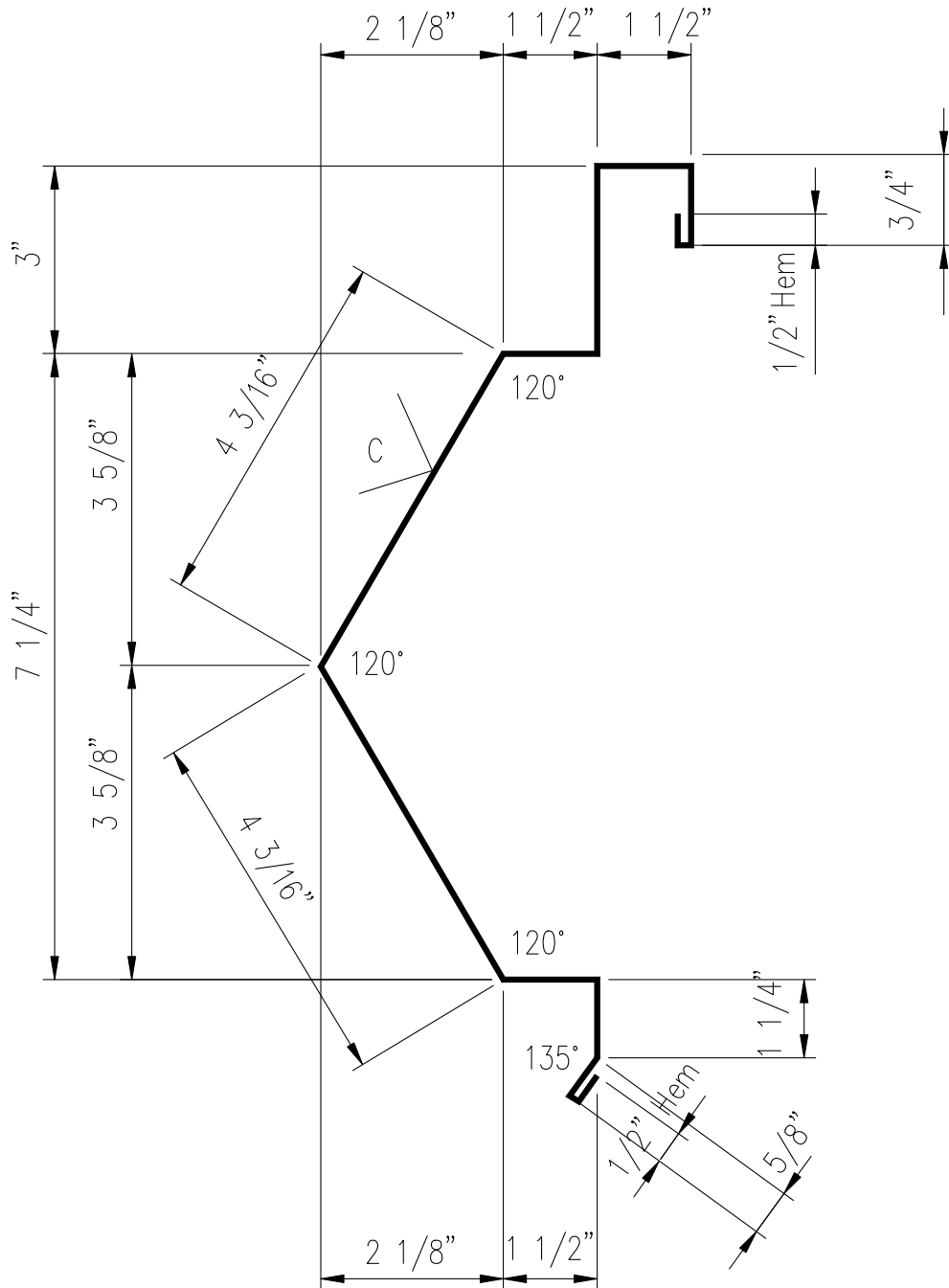


FL-145 R 10" MITERED RAKE TRIM- TO SCULPTURED EAVE
 FL-145 L ("PBR"- NORTHERN STYLE)



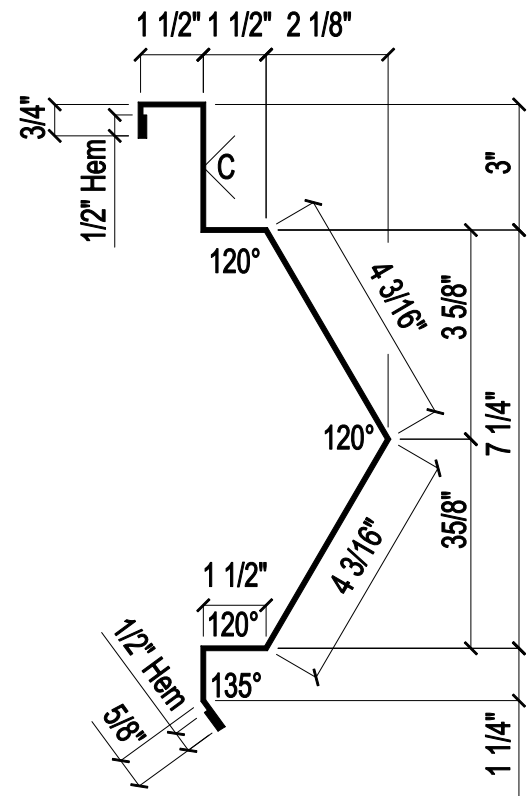
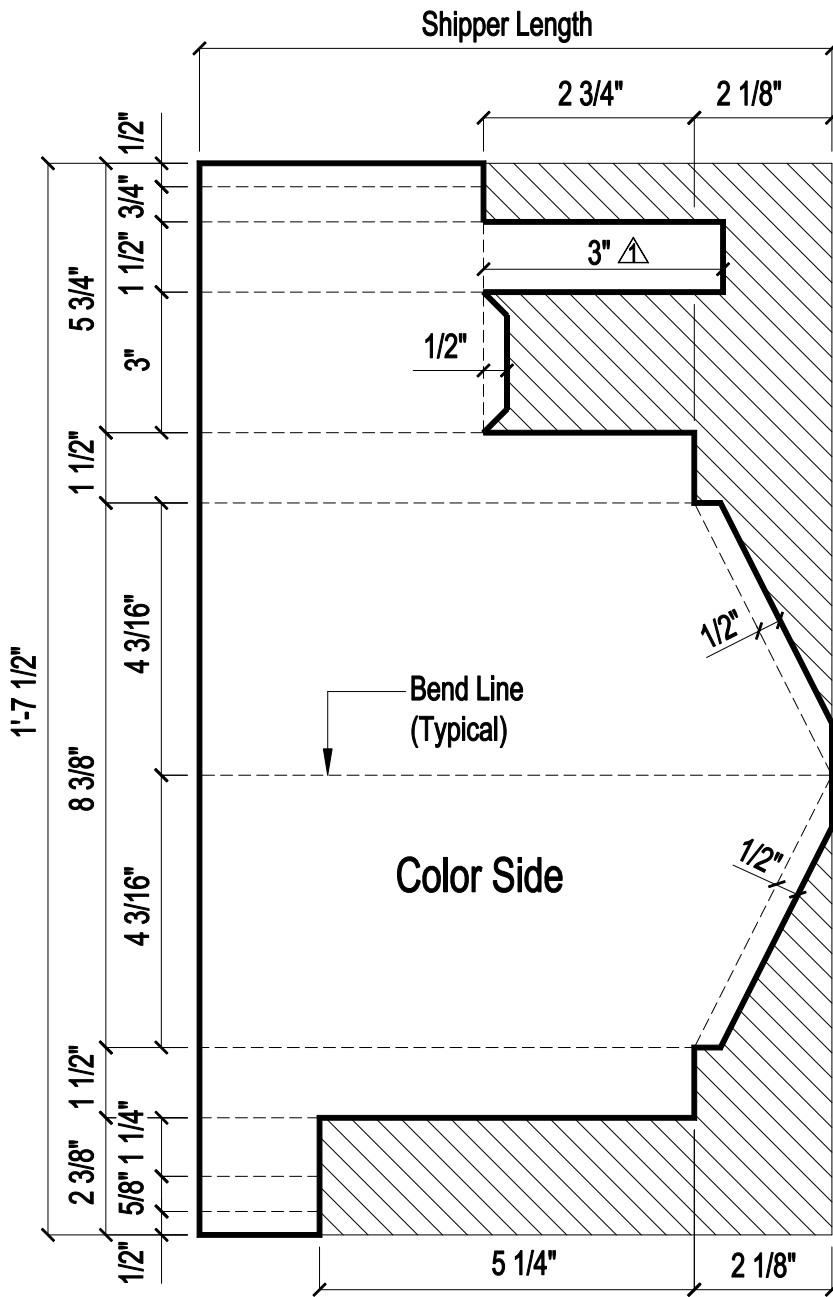
FL-146

RAKE TRIM (NORTHERN STYLE- TS-324 ROOF)



FL-146 R
 FL-146 L

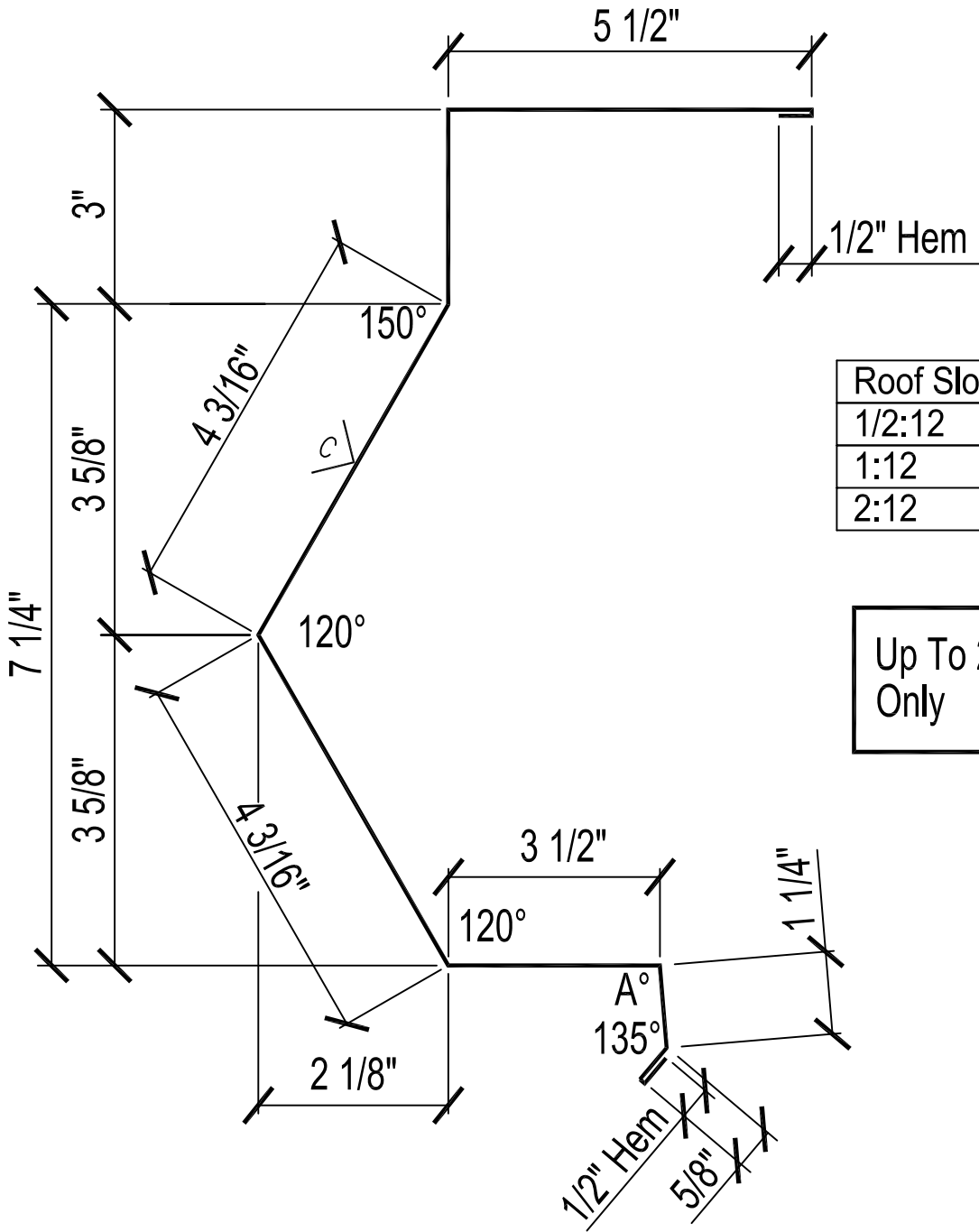
MITERED RAKE TRIM
 (NORTHERN STYLE- TS-324)



Formed View

FL-147

HIGH EAVE TRIM
(NORTHERN STYLE- TS-340 ROOF)

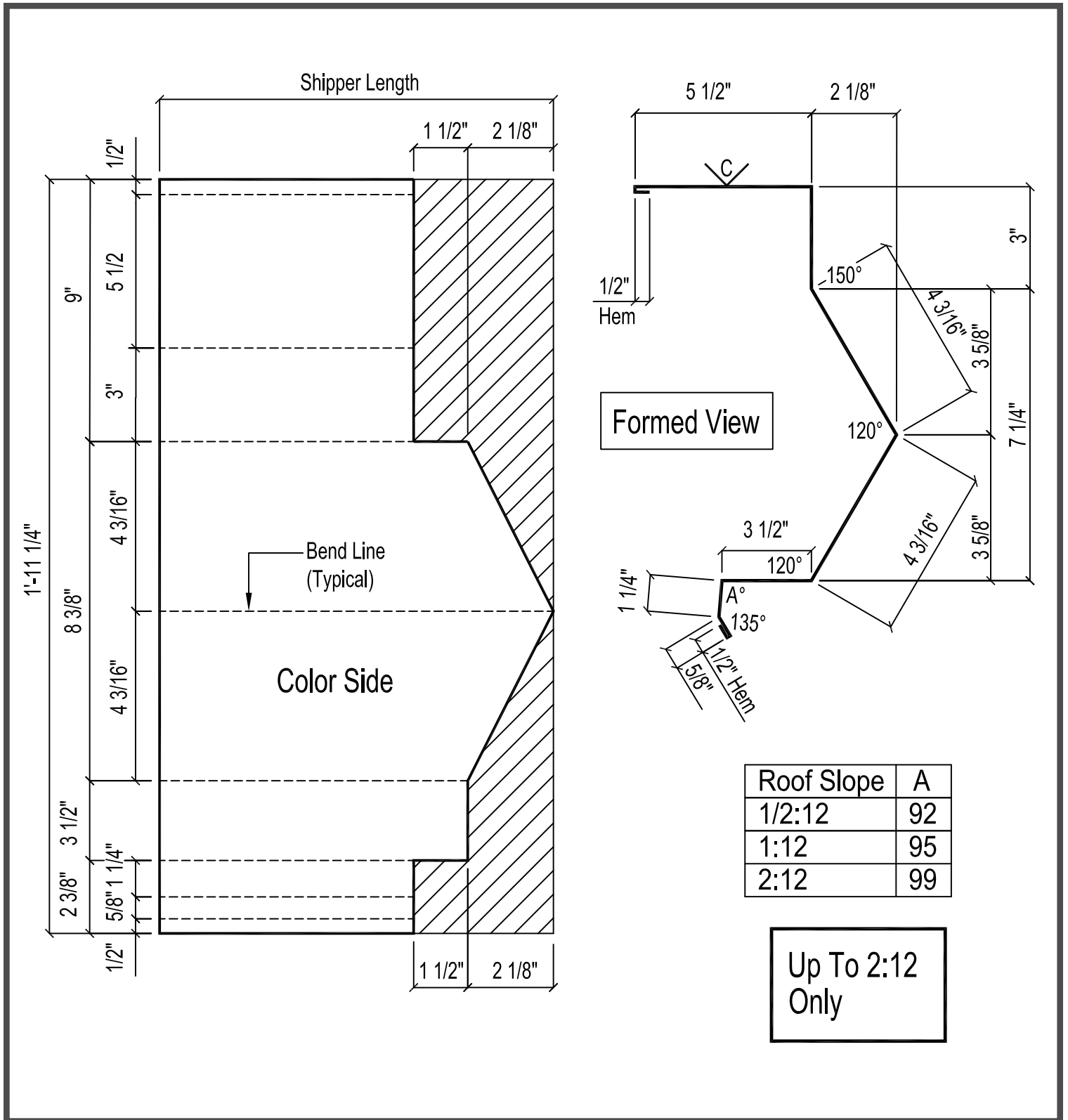


Roof Slope	A
1/2:12	92
1:12	95
2:12	99

Up To 2:12
Only

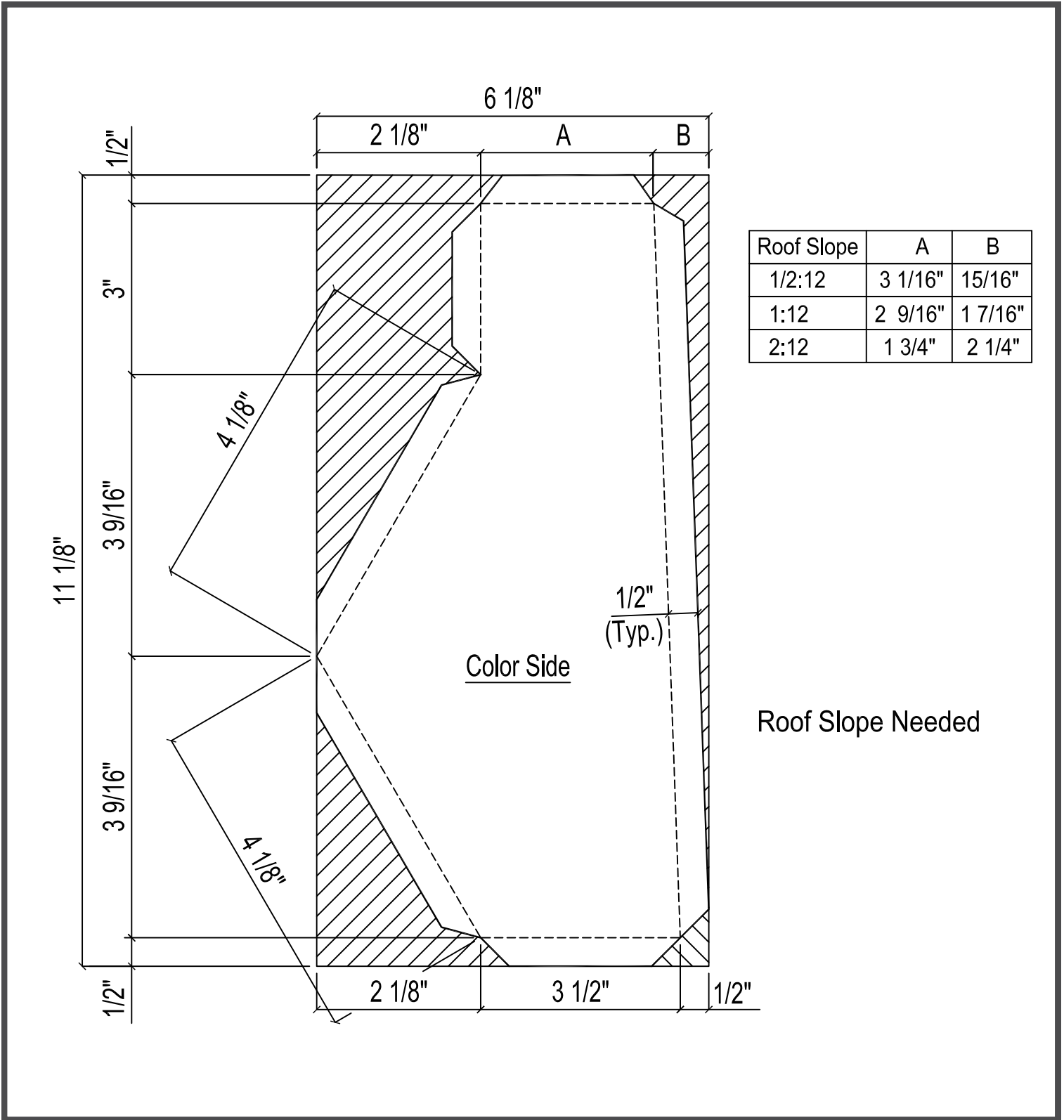
FL-147 R
 FL-147 L

MITERED HIGH EAVE TRIM (NORTHERN STYLE- TS-340 ROOF)



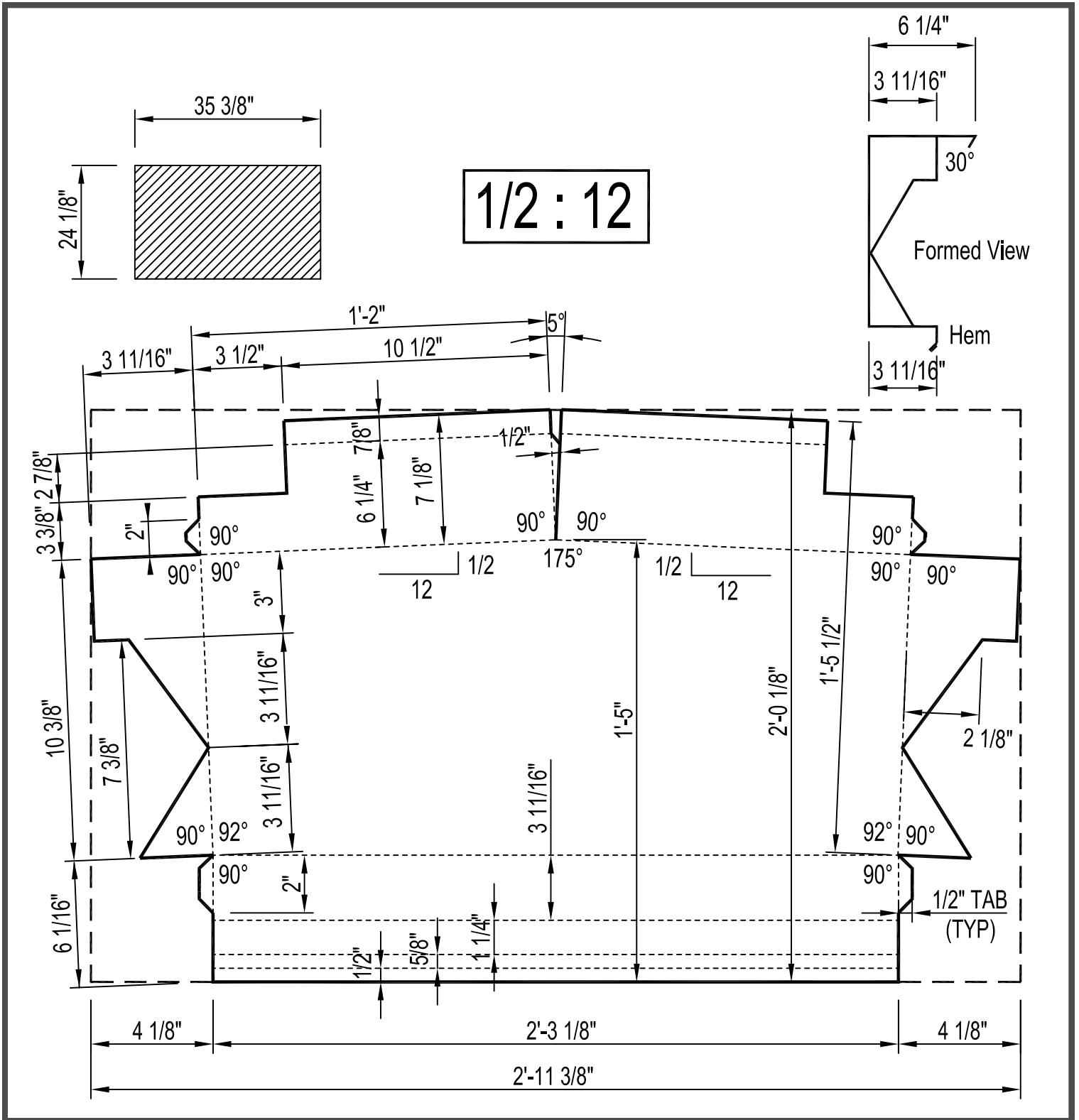
FL-148 R
 FL-148 L

HIGH EAVE END CAP
 (NORTHERN STYLE- TS-340 ROOF)



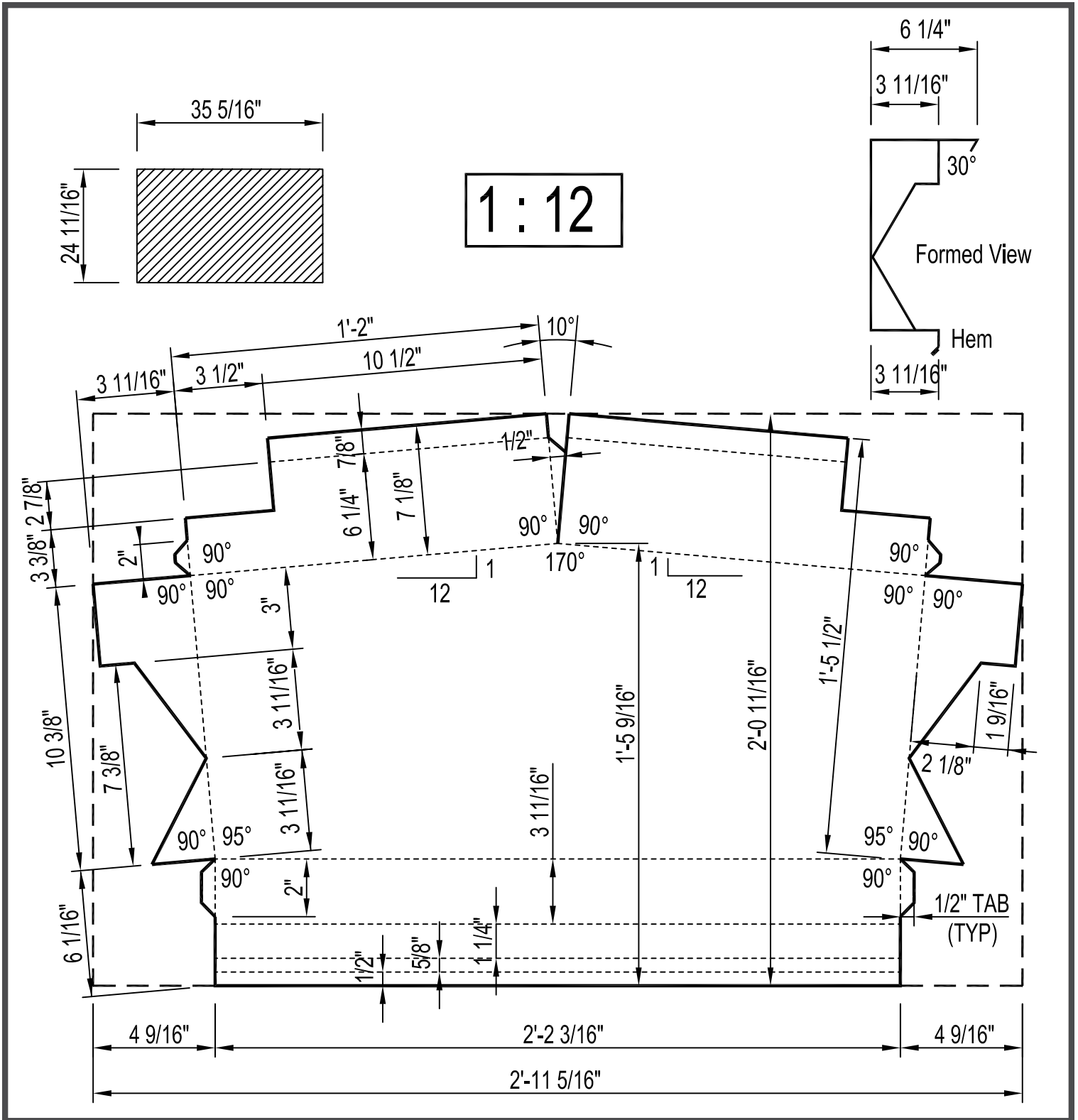
FL-149A

7 1/4" EXPANSION PEAK BOX
(NORTHERN STYLE- TS-324)



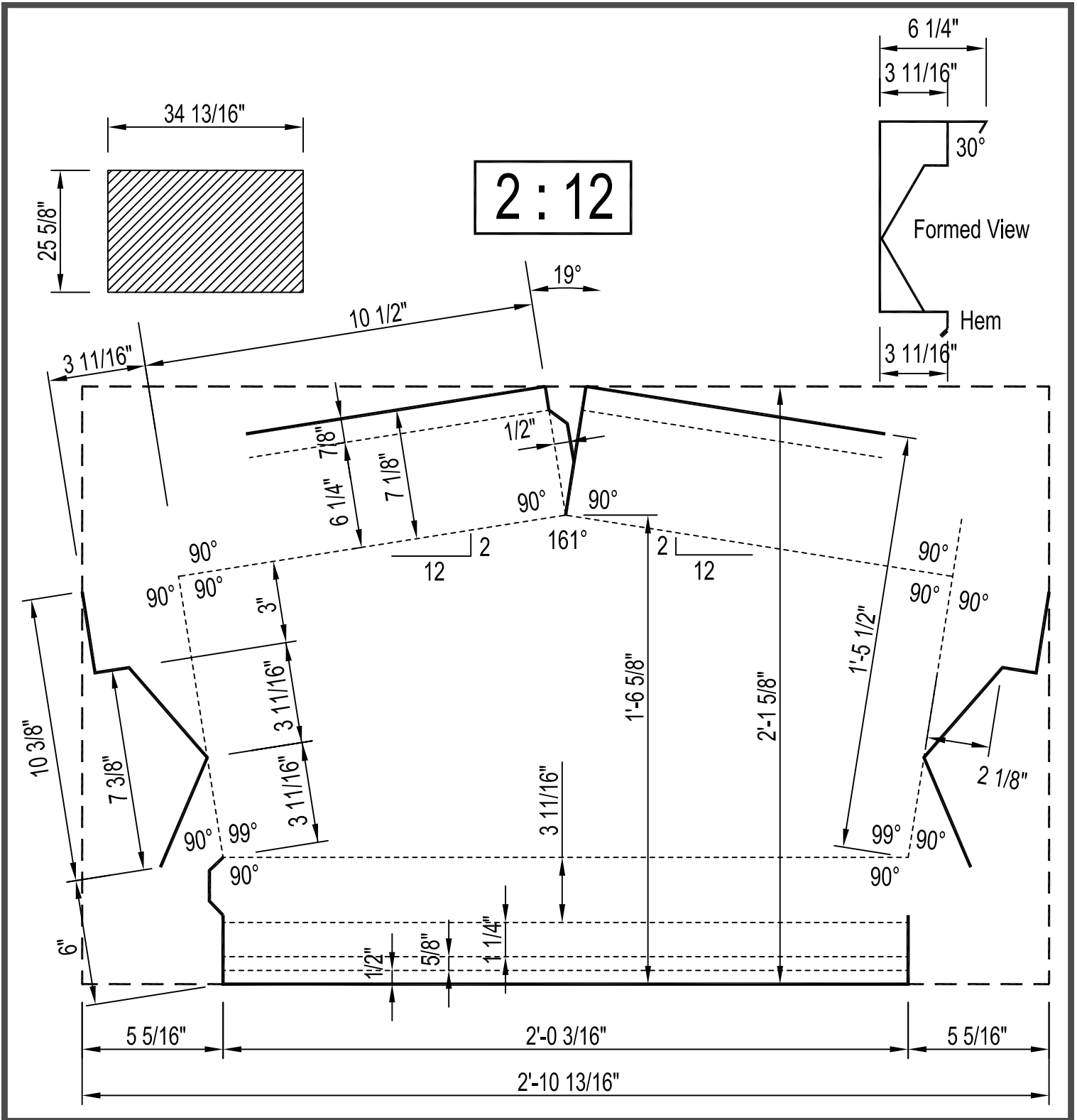
FL-149B

7 1/4" EXPANSION PEAK BOX
(NORTHERN STYLE- TS-324)



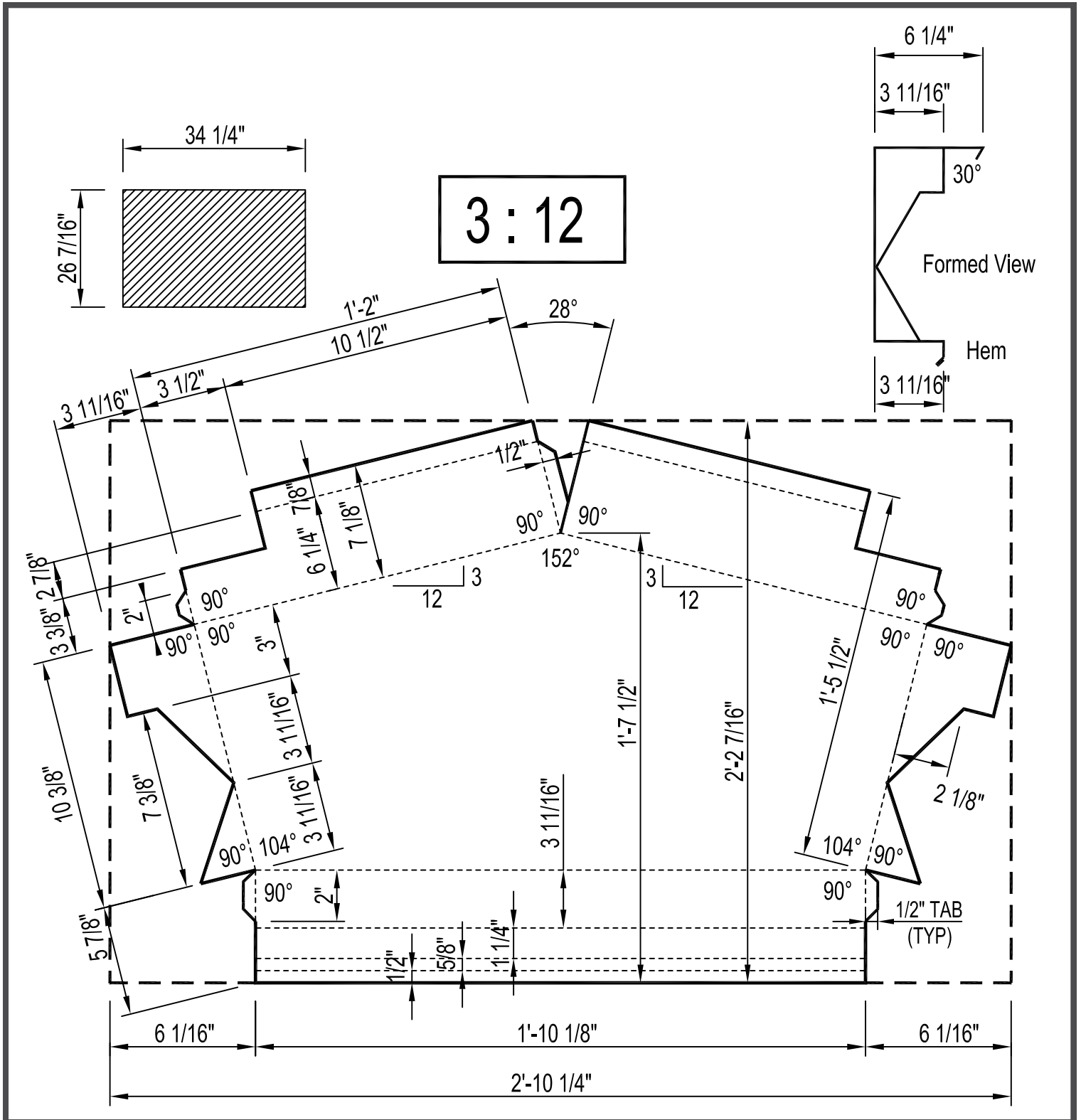
FL-149C

7 1/4" EXPANSION PEAK BOX
(NORTHERN STYLE- TS-324)



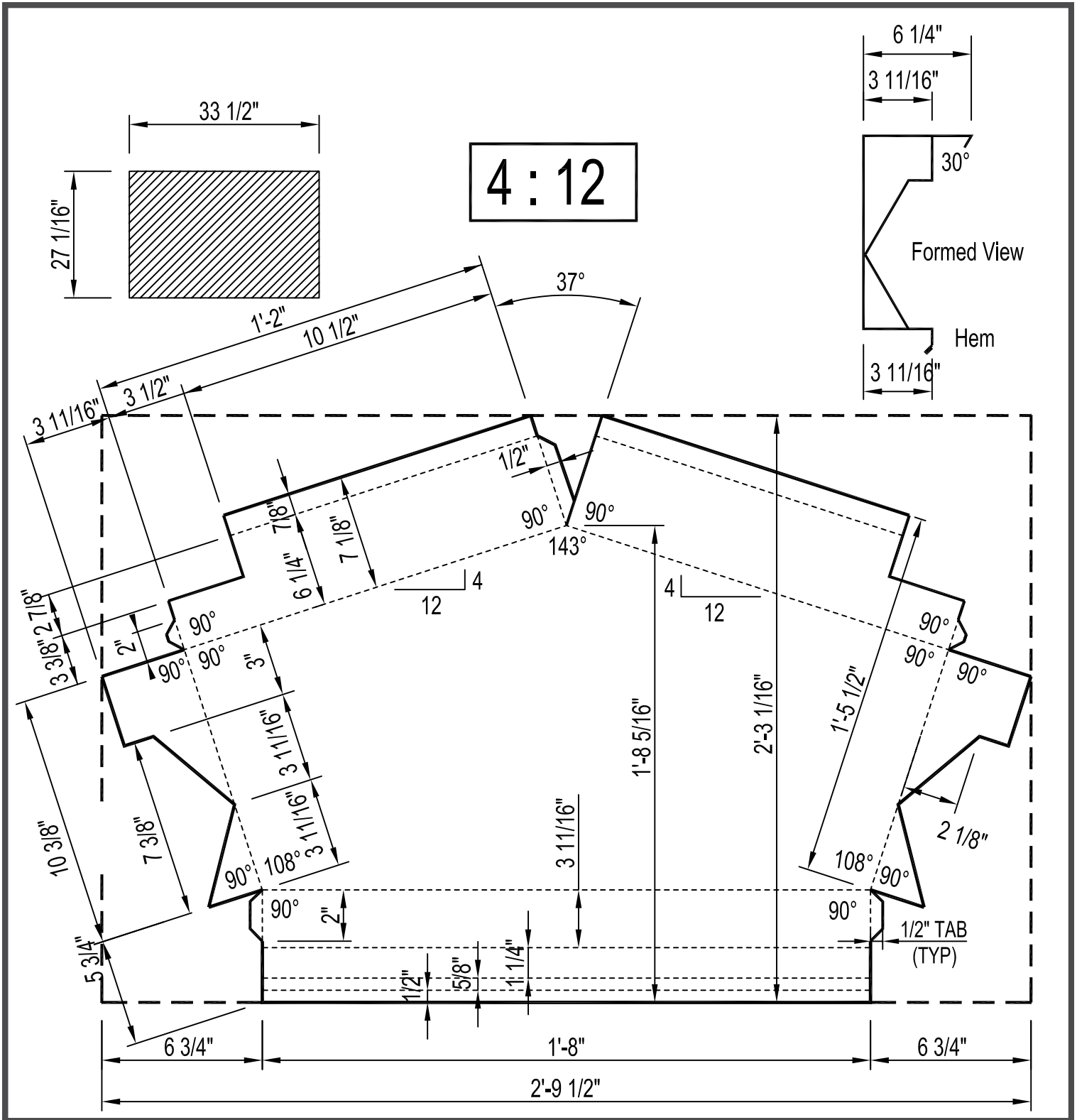
FL-149D

7 1/4" EXPANSION PEAK BOX (NORTHERN STYLE- TS-324)



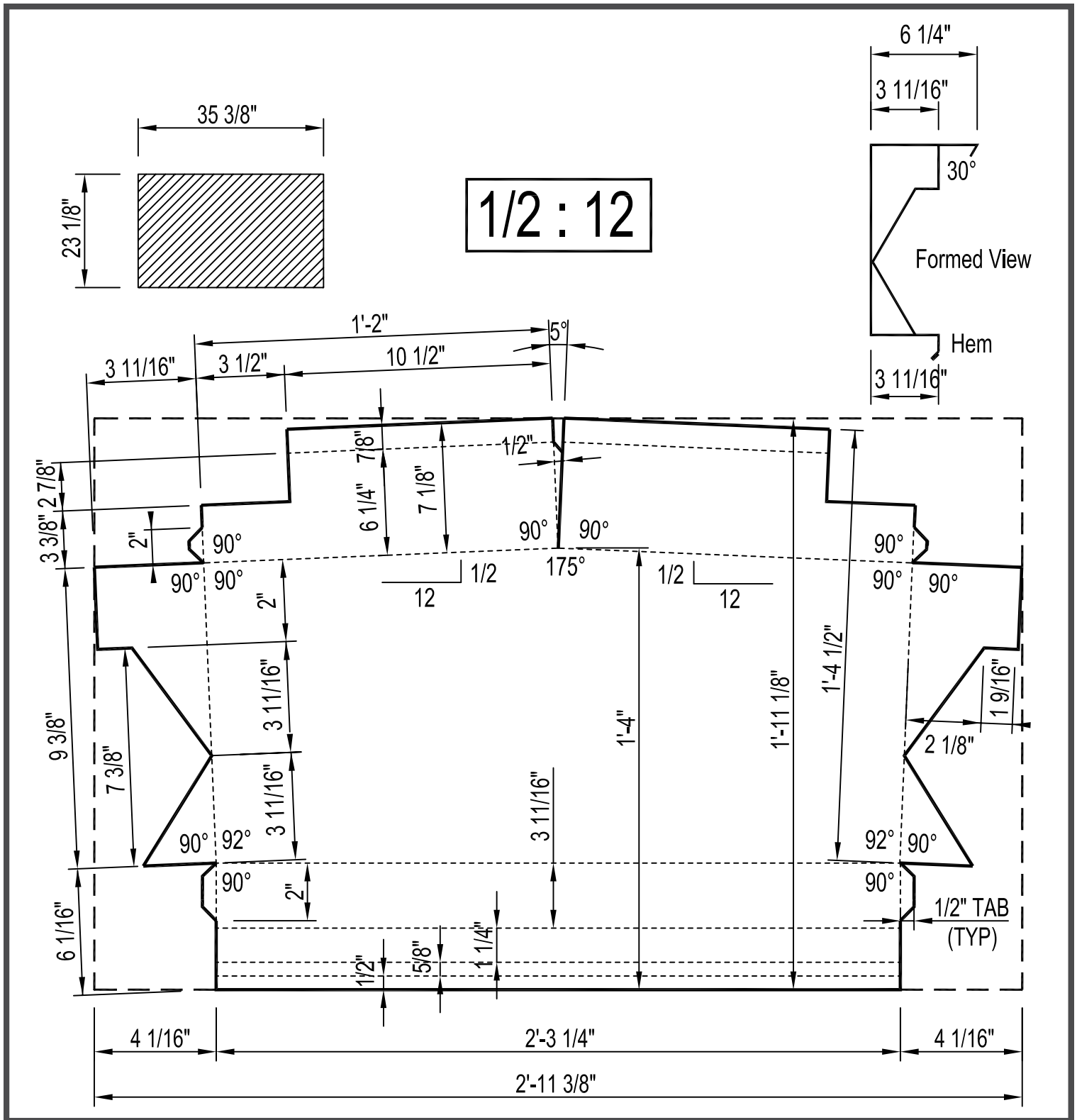
FL-149E

7 1/4" EXPANSION PEAK BOX
(NORTHERN STYLE- TS-324)



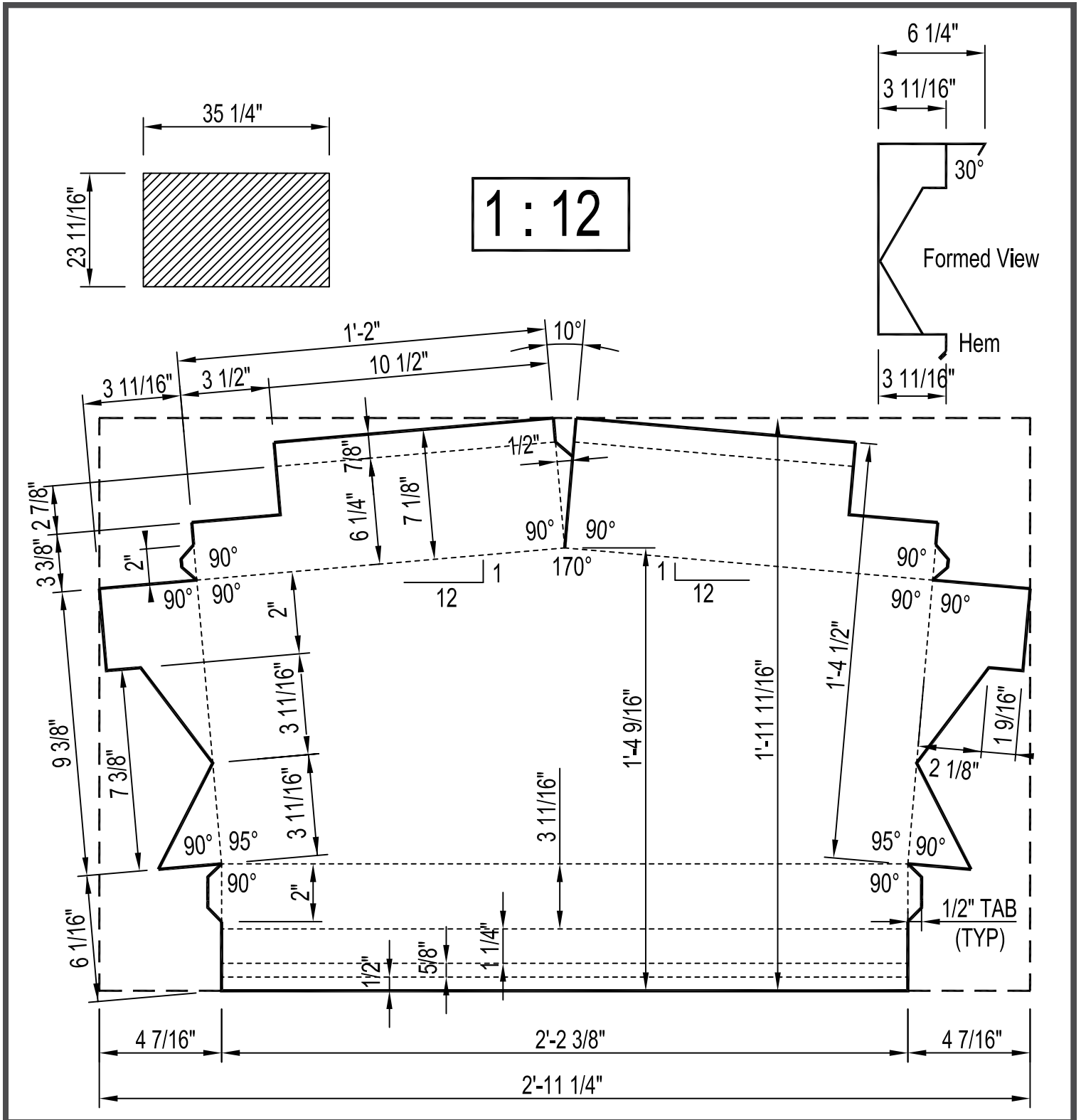
FL-154A

7 1/4" EXPANSION PEAK BOX (NORTHERN STYLE- VS-216)



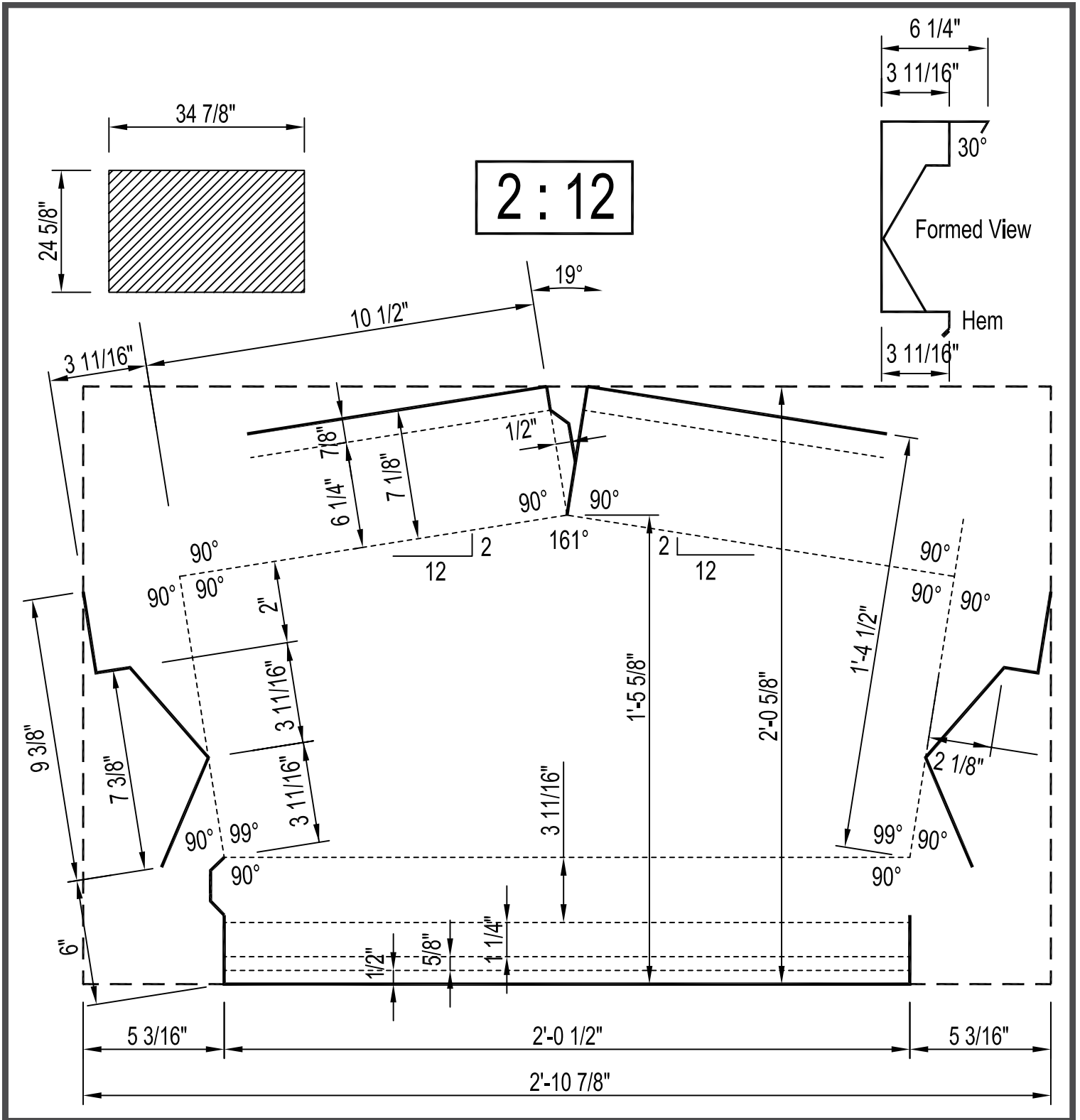
FL-154B

7 1/4" EXPANSION PEAK BOX
(NORTHERN STYLE- VS-216)



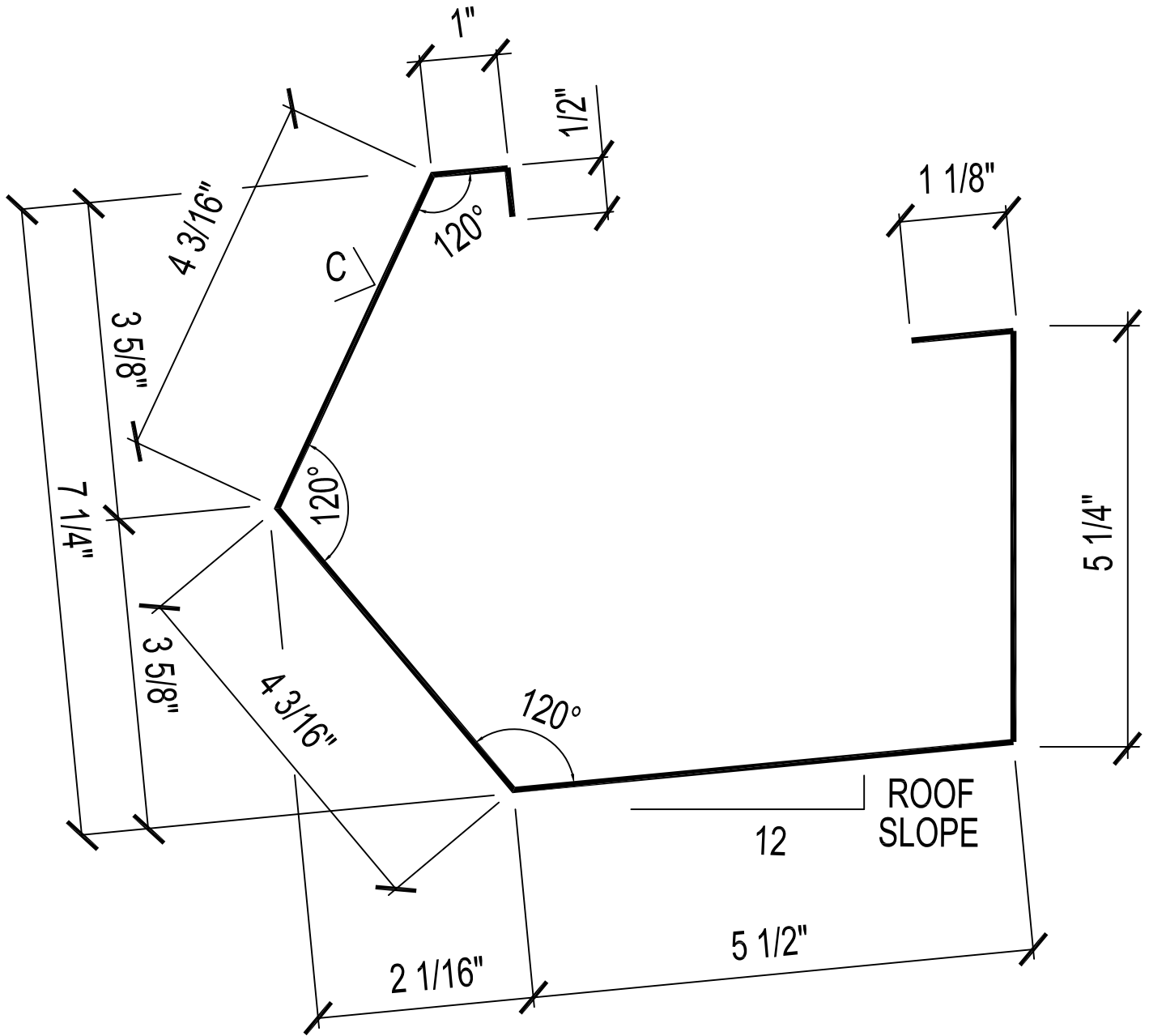
FL-154C

7 1/4" EXPANSION PEAK BOX
(NORTHERN STYLE- VS-216)



FL-155

SCULPTURED HANG-ON GUTTER (FOR VS-216 ROOF PANEL)

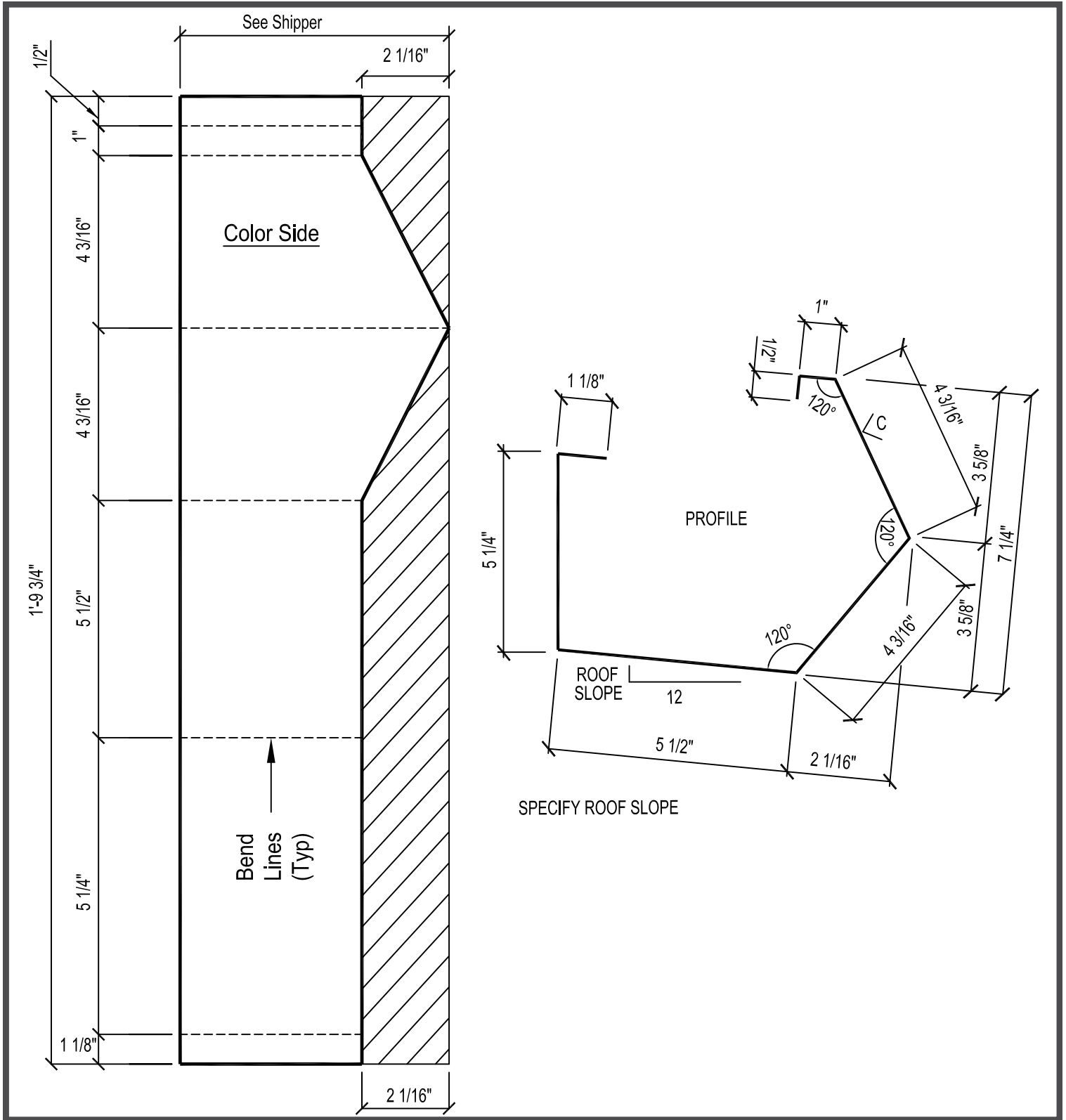


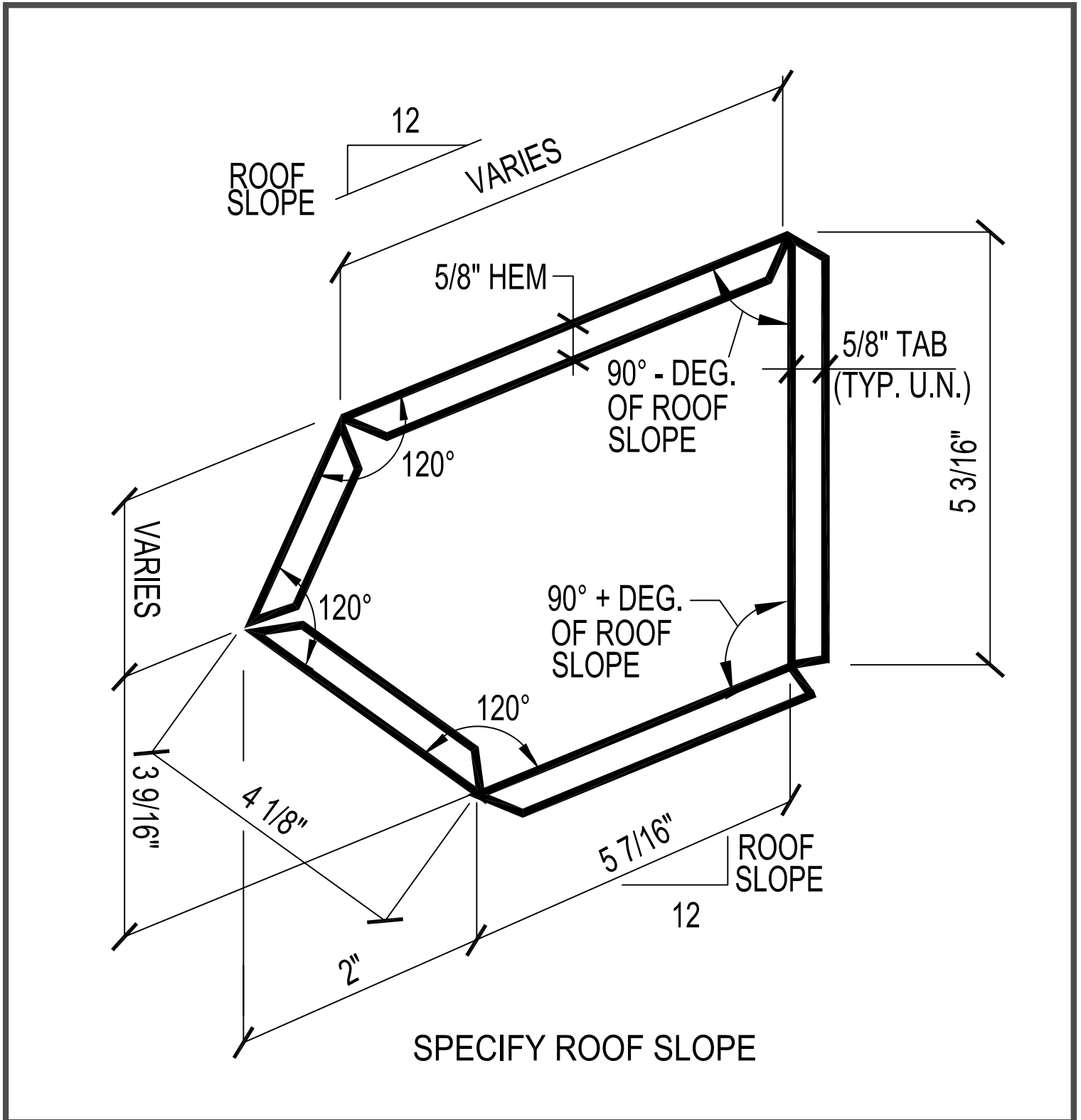
*NOTE: USE GC1 GUTTER CLIP

SPECIFY ROOF SLOPE

FL-155 R
FL-155 L

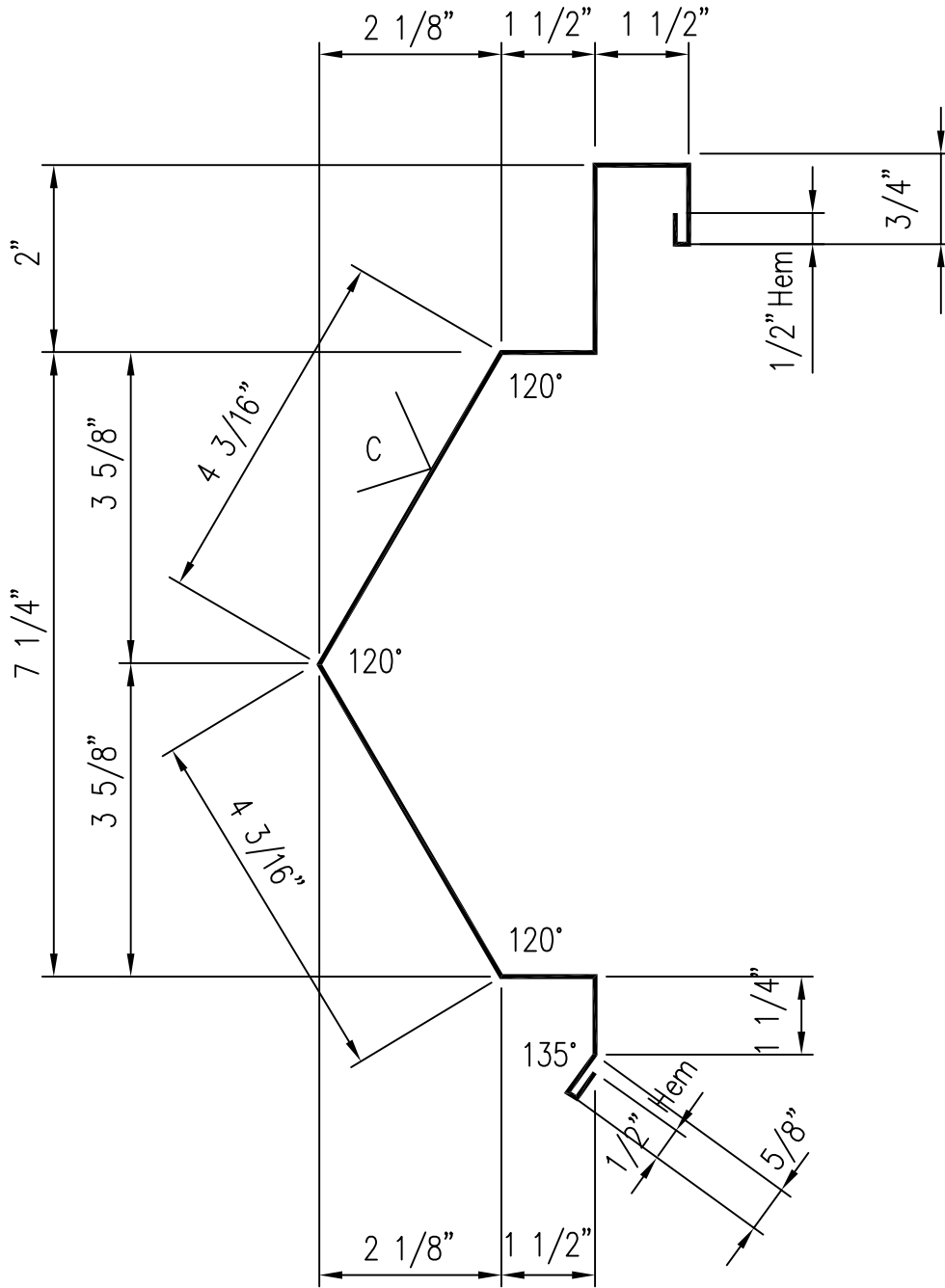
5 1/4" X 5 1/4" MITERED GUTTER (FOR VS-216 GUTTER)





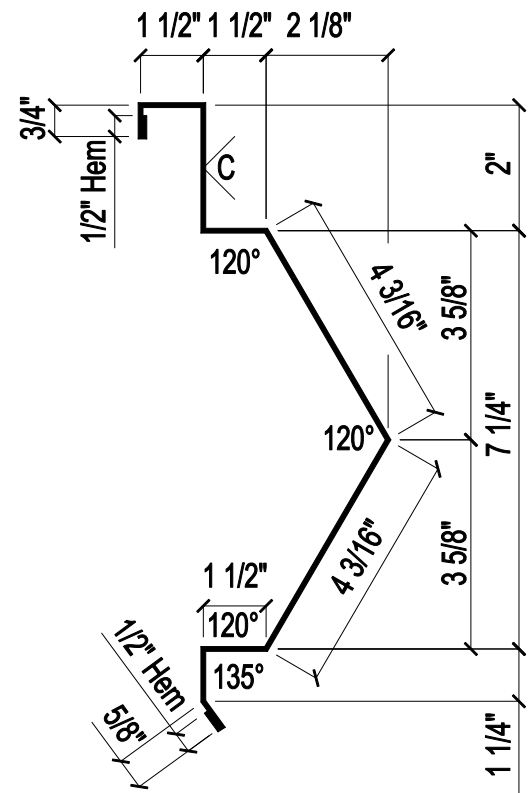
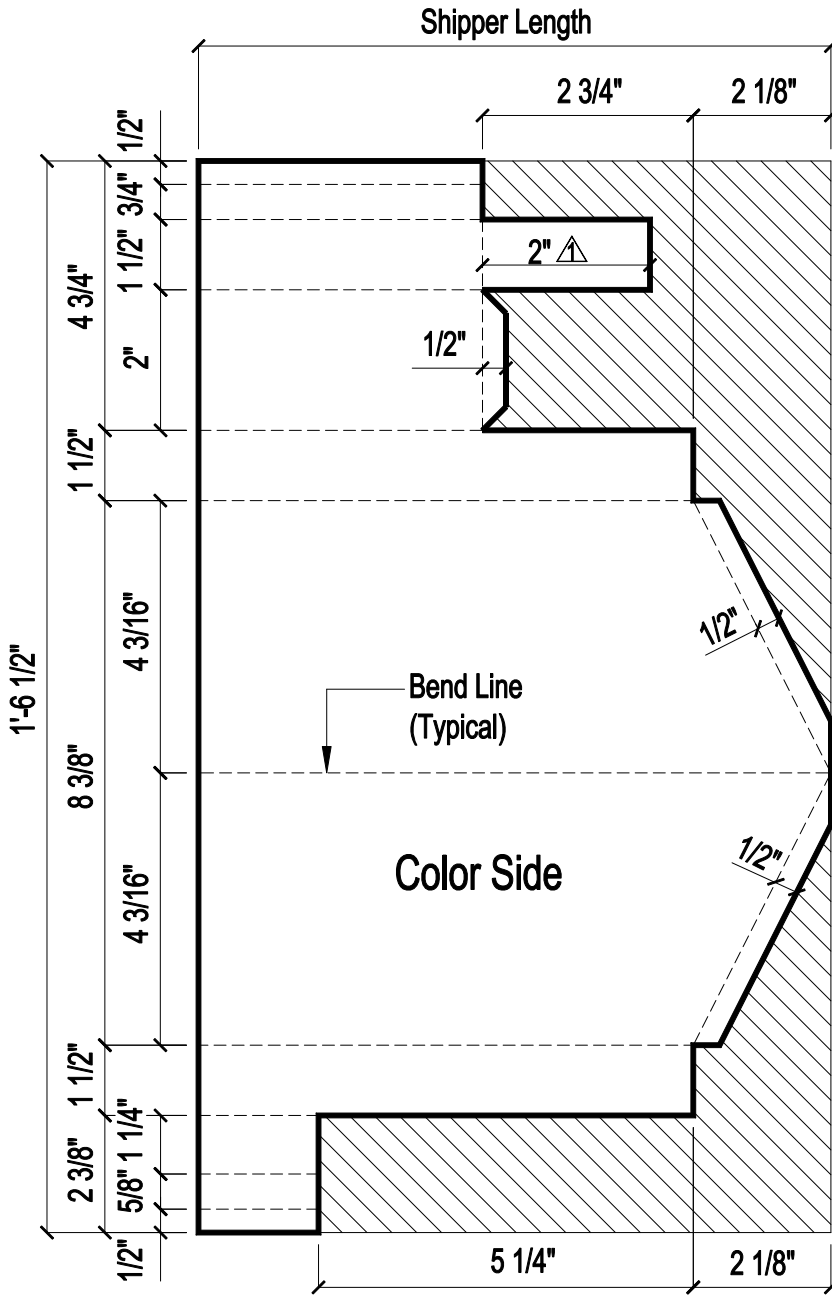
FL-157

RAKE TRIM (NORTHERN STYLE- VS-216 ROOF)



FL-157 R
 FL-157 L

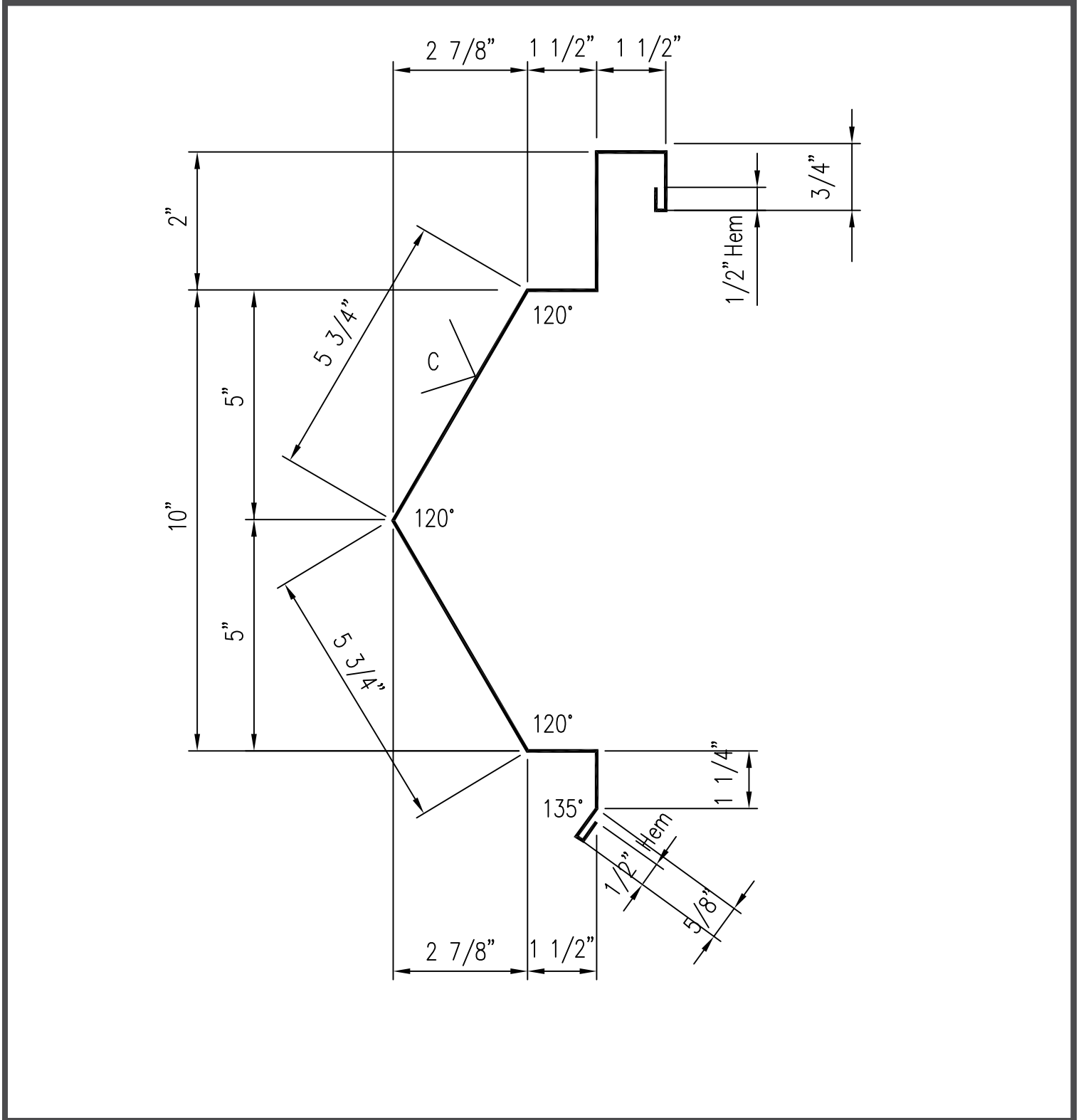
MITERED RAKE TRIM
 (NORTHERN STYLE- VS-216)



Formed View

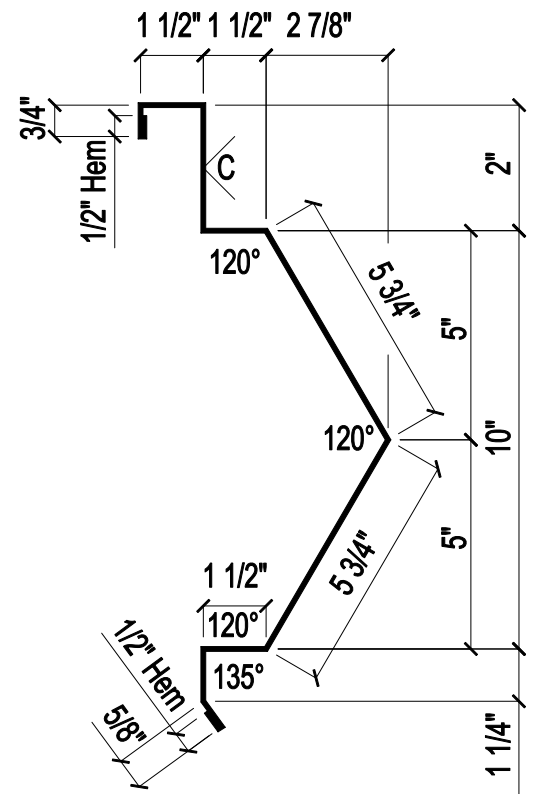
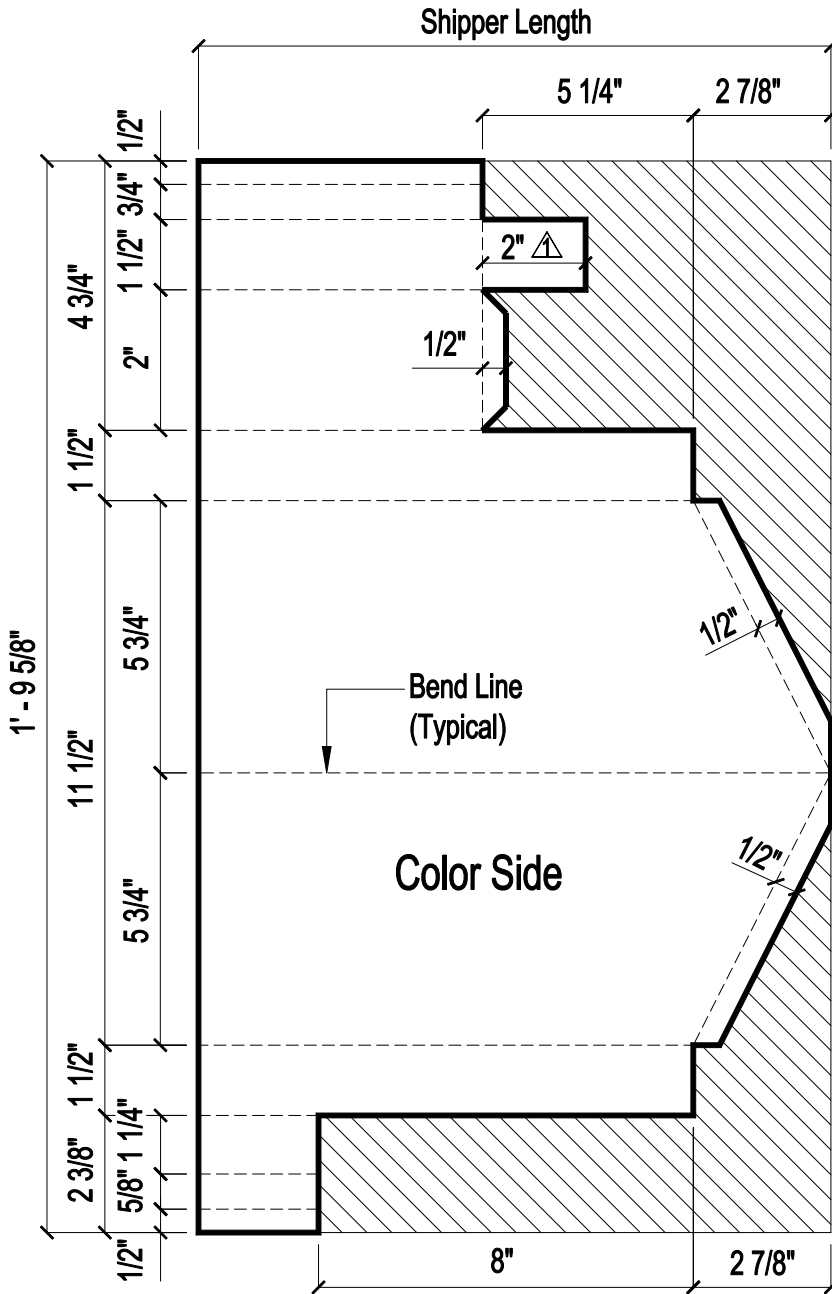
FL-158

10" RAKE TRIM
(NORTHERN STYLE- VS-216 ROOF)



FL-159 R
 FL-159 L

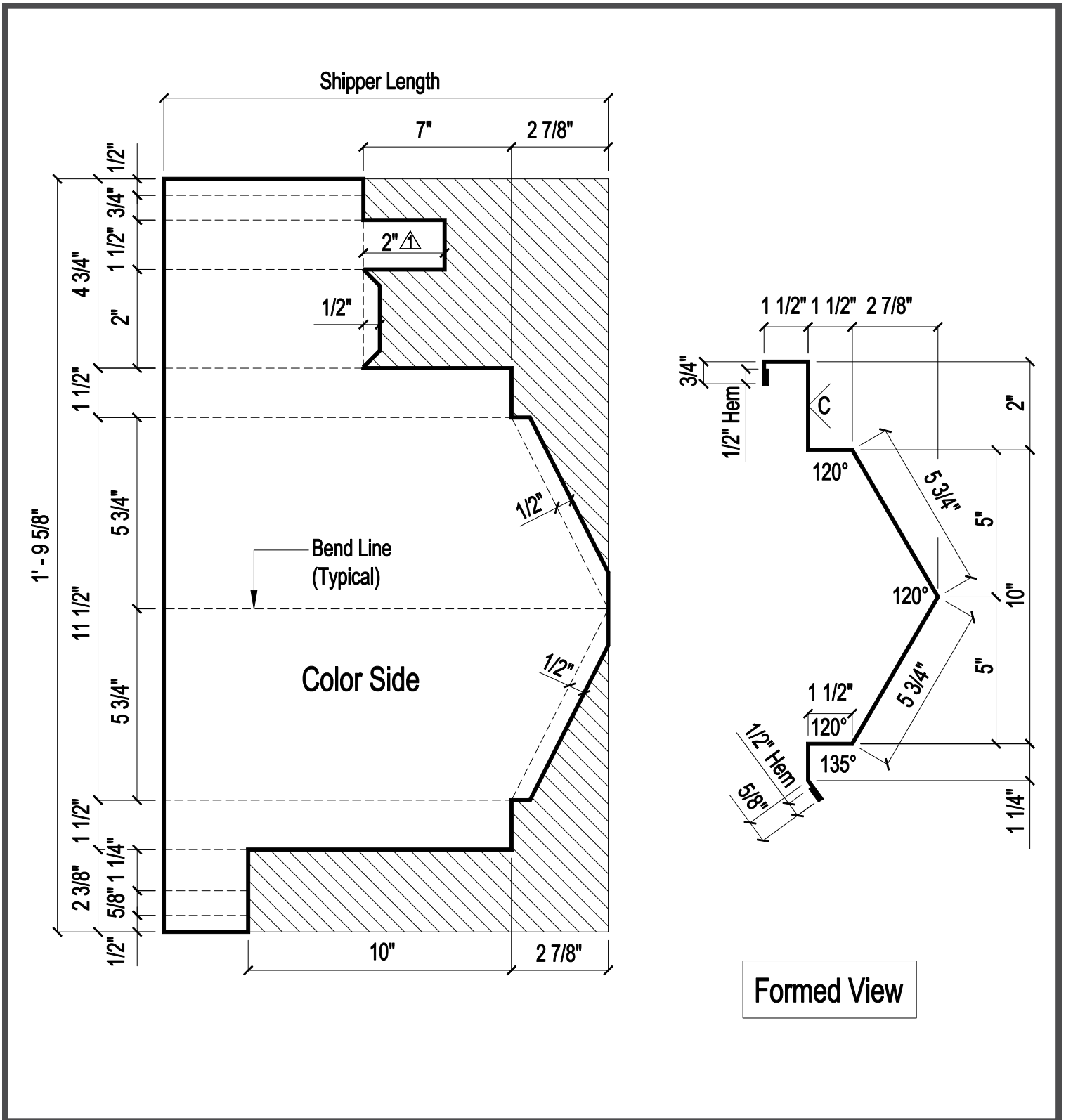
10" MITERED RAKE TRIM
 (NORTHERN STYLE- VS-216 -8" GUTTER)



Formed View

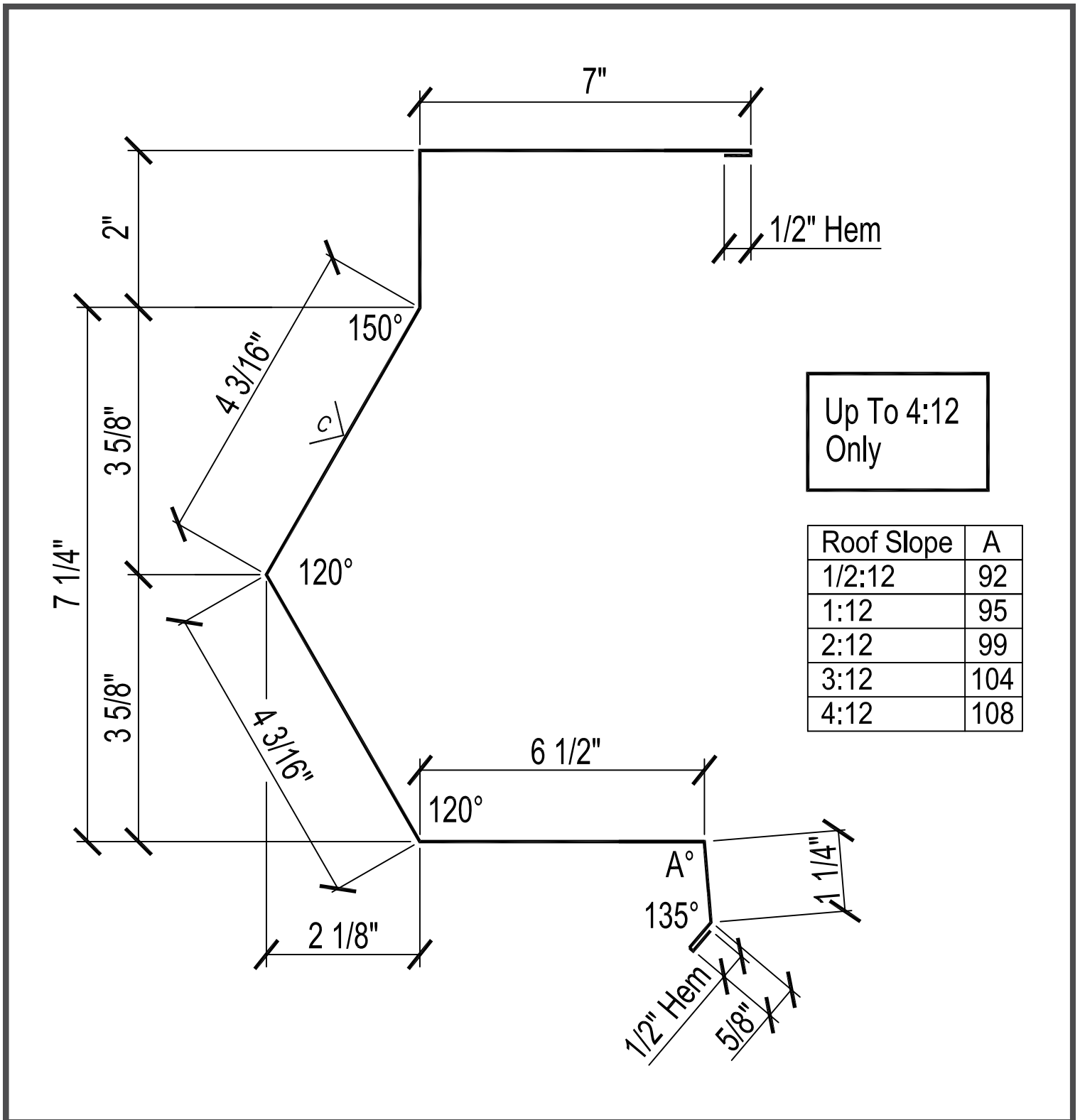
FL-160 R
 FL-160 L

10" MITERED RAKE TRIM
 (NORTHERN STYLE- VS-216 -10" GUTTER)



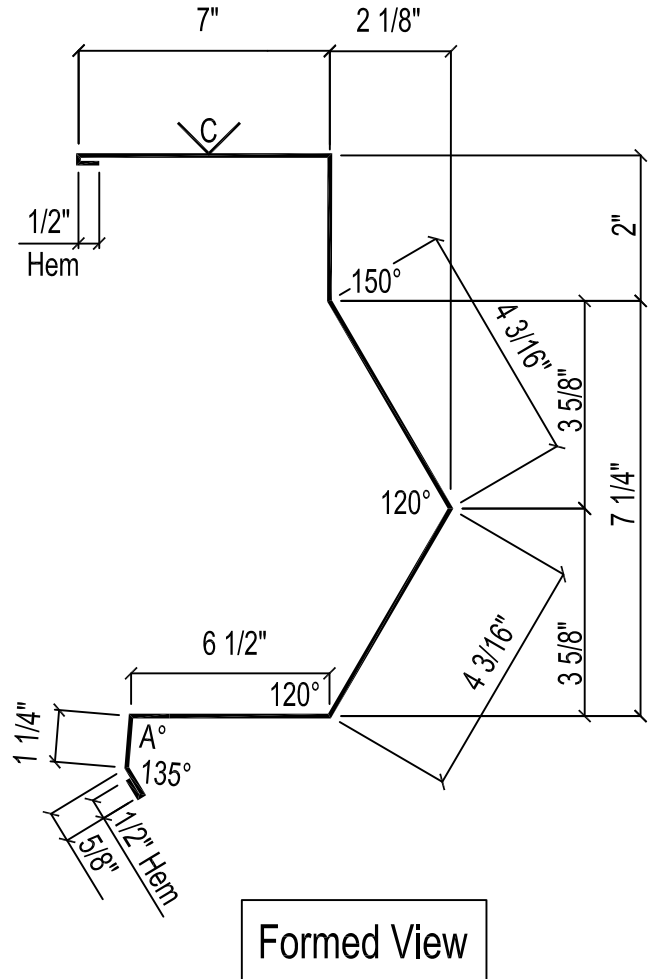
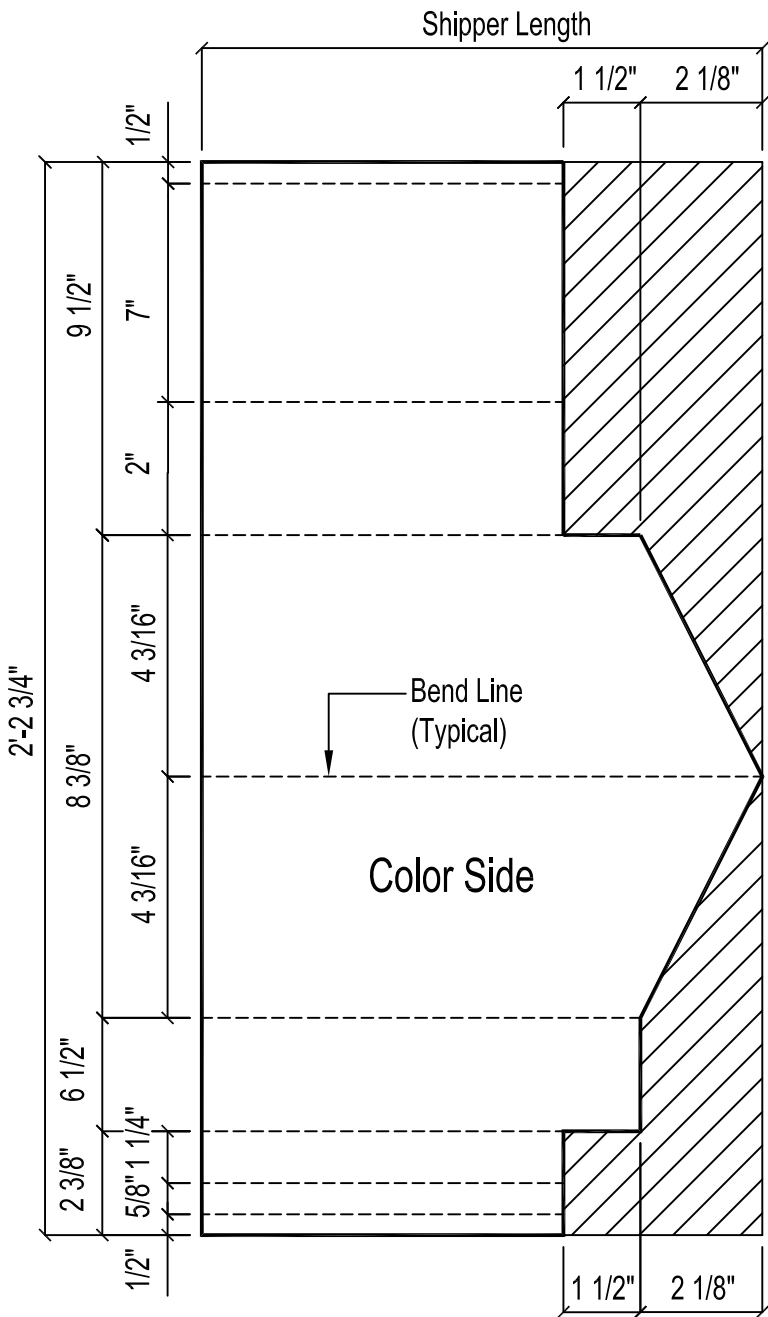
FL-161

HIGH EAVE TRIM (NORTHERN STYLE- VS-216 ROOF)



FL-161 R
FL-161 L

MITERED HIGH EAVE TRIM
(NORTHERN STYLE- VS-216 ROOF)



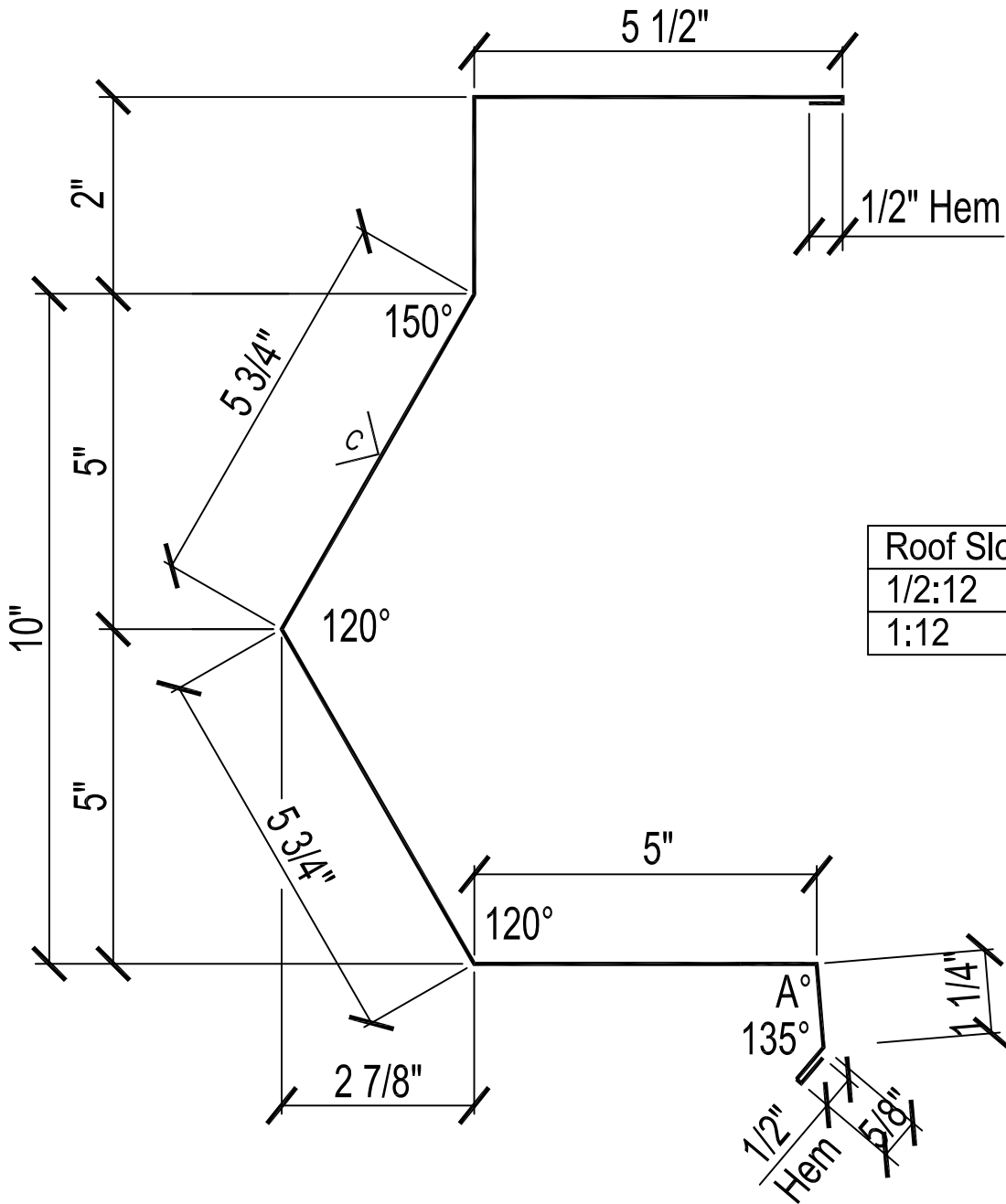
Up To 4:12
Only

Roof Slope	A
1/2:12	92
1:12	95
2:12	99
3:12	104
4:12	108



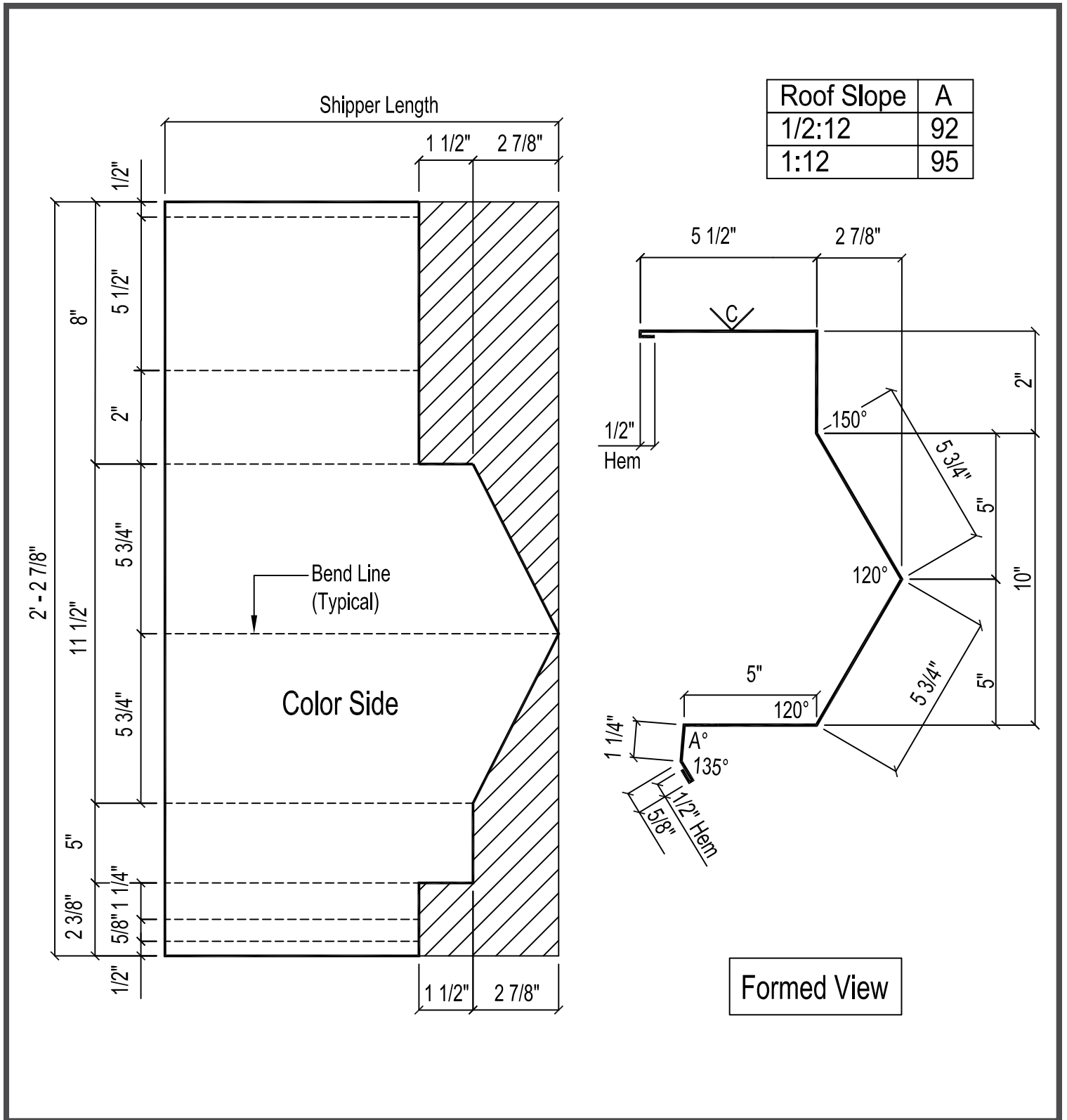
FL-162

10" HIGH EAVE TRIM
(NORTHERN STYLE- VS-216 ROOF)



FL-162 R
FL-162 L

10" MITERED HIGH EAVE TRIM
(NORTHERN STYLE- VS-216 ROOF)



2' - 2 7/8"

Shipper Length

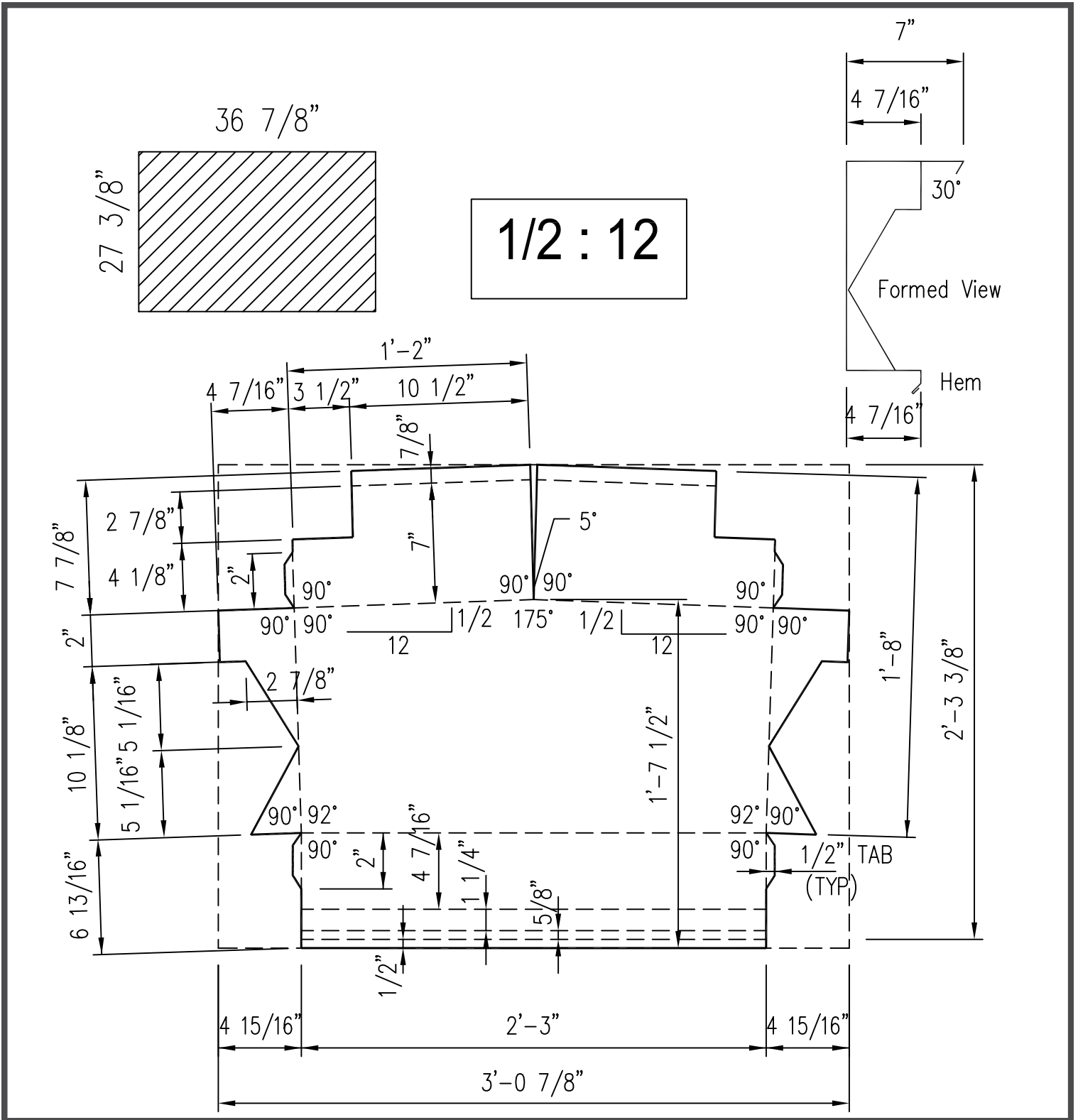
Bend Line
(Typical)

Color Side

Formed View

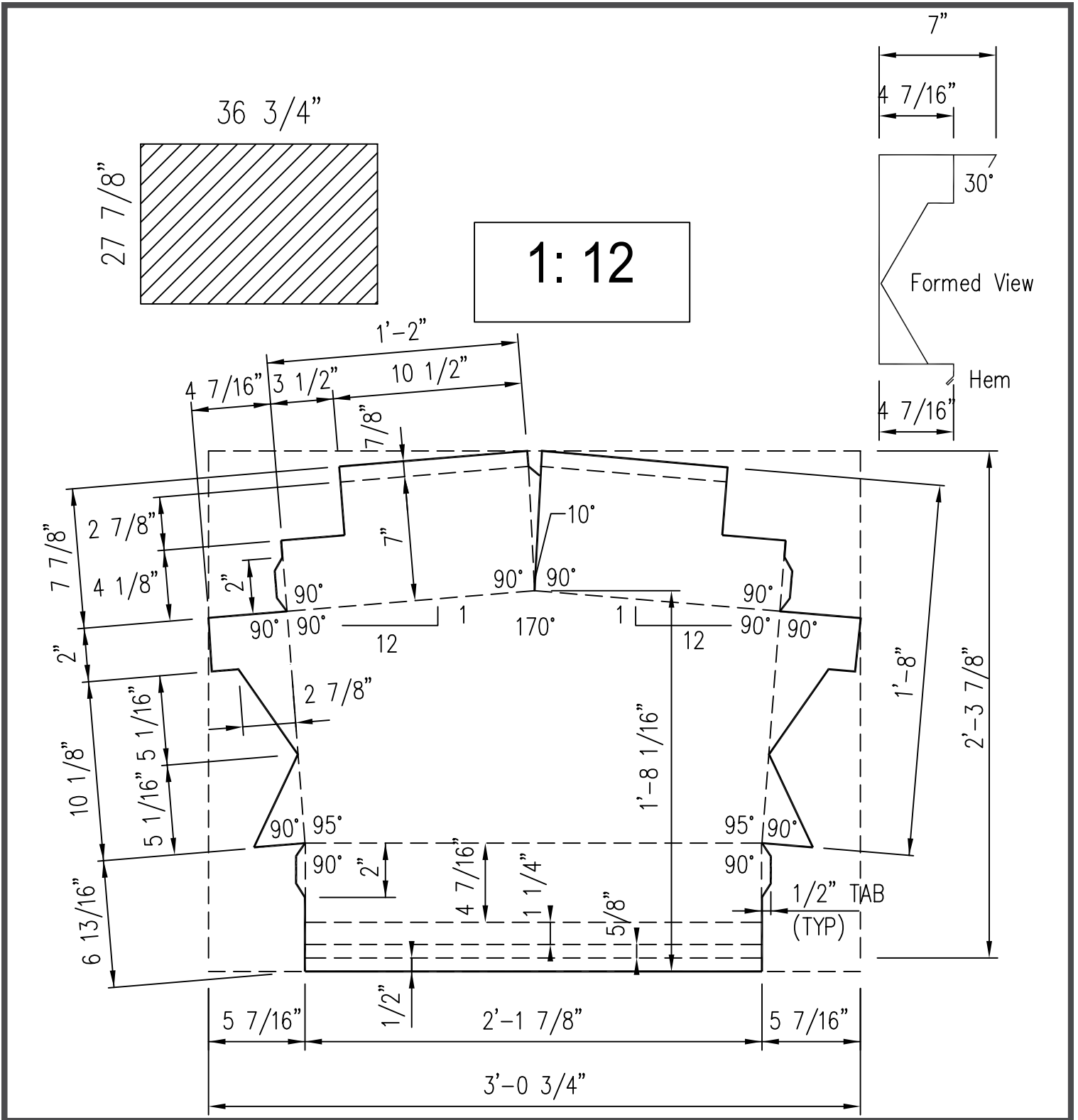
FL-16

10" E PANSION PEAK BO
(NORTHERN STYLE- VS-216)



FL-164

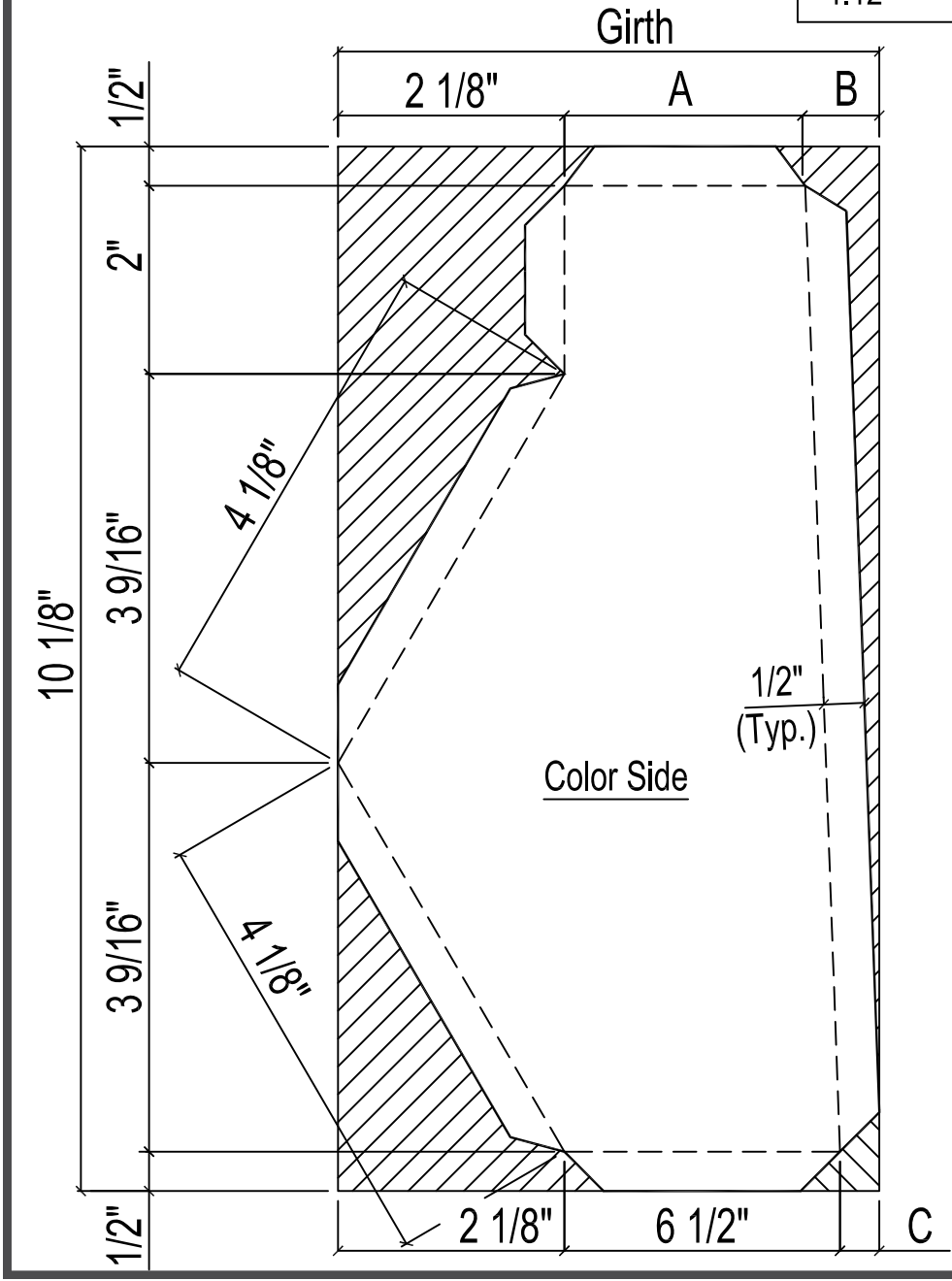
10" E PANSION PEAK BO
(NORTHERN STYLE- VS-216)



FL-165 R
 FL-165 L

HIGH EAVE END CAP
 (NORTHERN STYLE- VS-216 ROOF)

Roof Slope	A	B	C	Girth
1/2:12	6 1/8"	7/8"	1/2"	9 1/8"
1:12	5 3/4"	1 1/4"	1/2"	9 1/8"
2:12	4 15/16"	2"	7/16"	9 1/16"
3:12	4 3/16"	2 3/4"	7/16"	9 1/16"
4:12	3 3/8"	3 1/2"	3/8"	9"

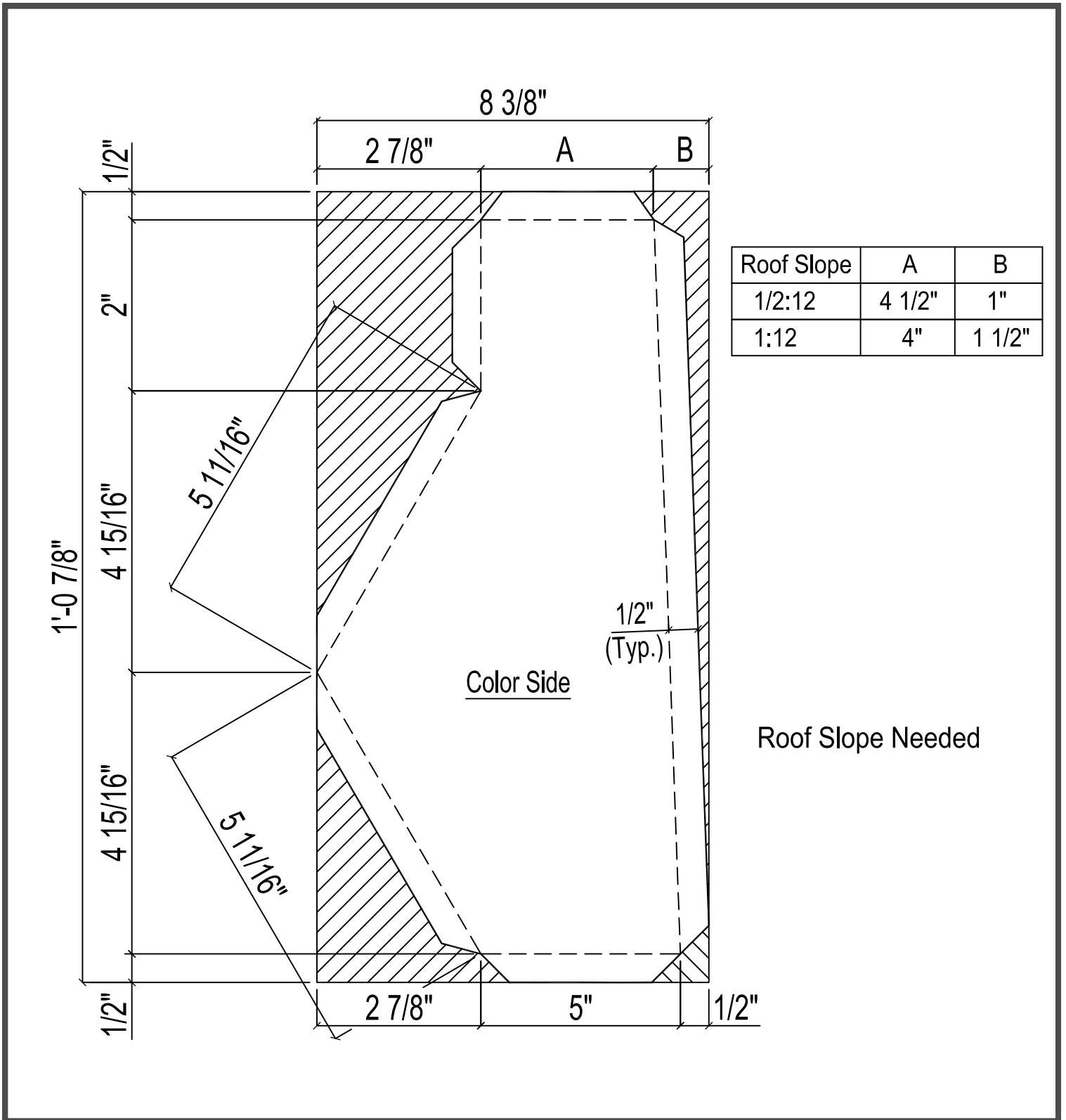


Roof Slope Needed



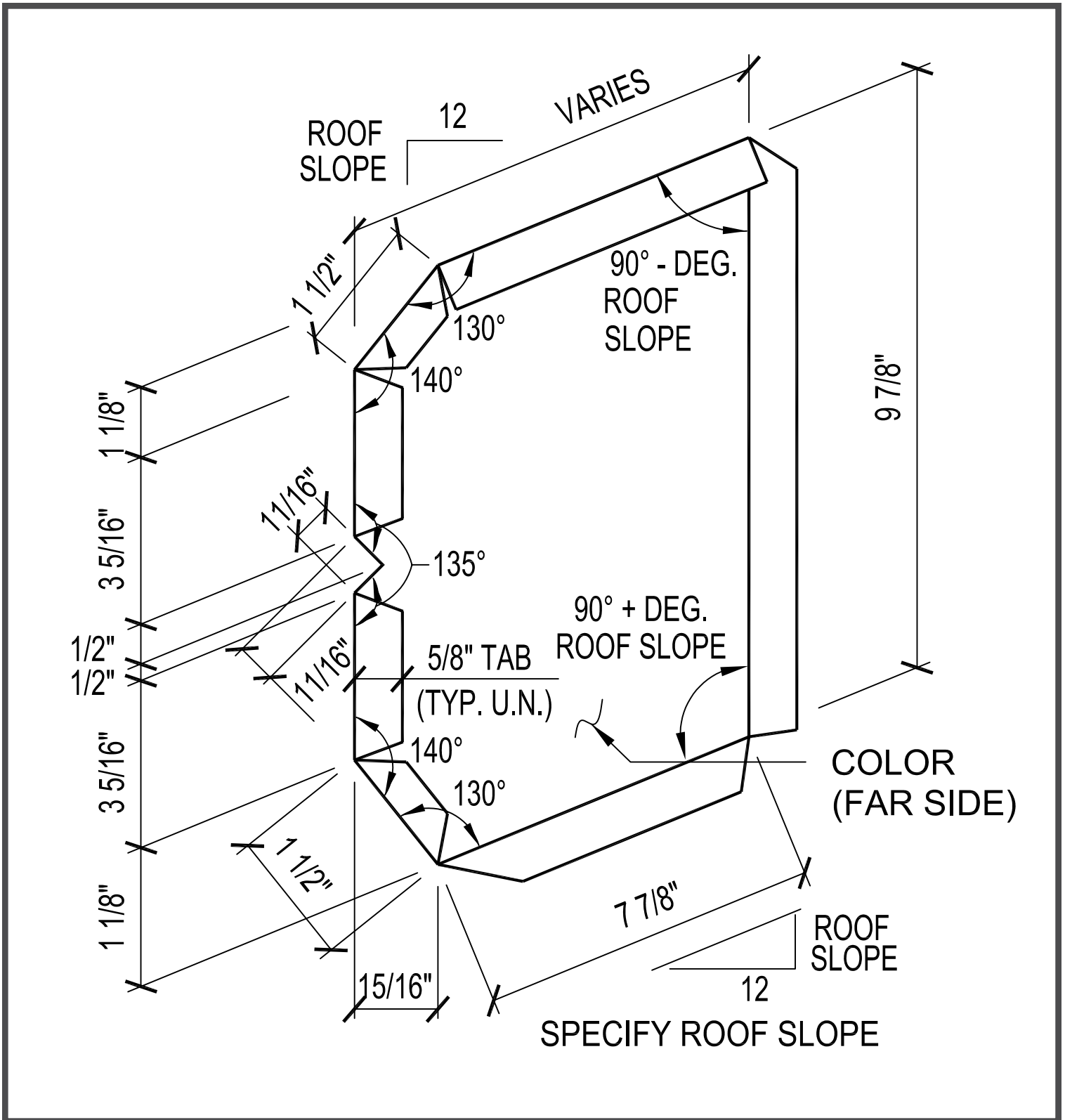
FL-166 R
 FL-166 L

HIGH EAVE END CAP
 (NORTHERN STYLE- VS-216 ROOF)



FL-168 L
FL-168 R

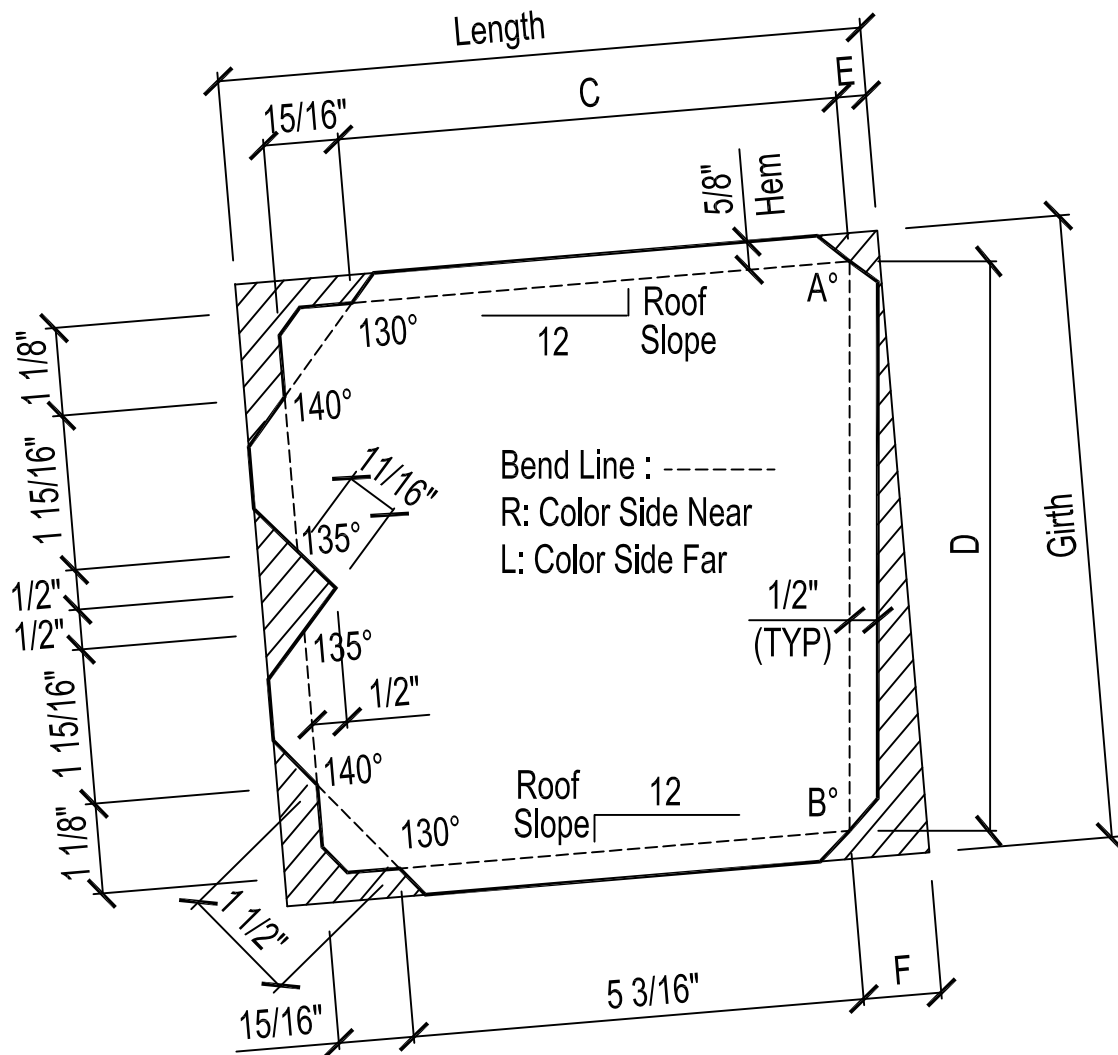
8" X 10" GUTTER END CAP (SHADOW) (FOR OVERSIZE STYLE GUTTER)



FL-169 L
FL-169 R

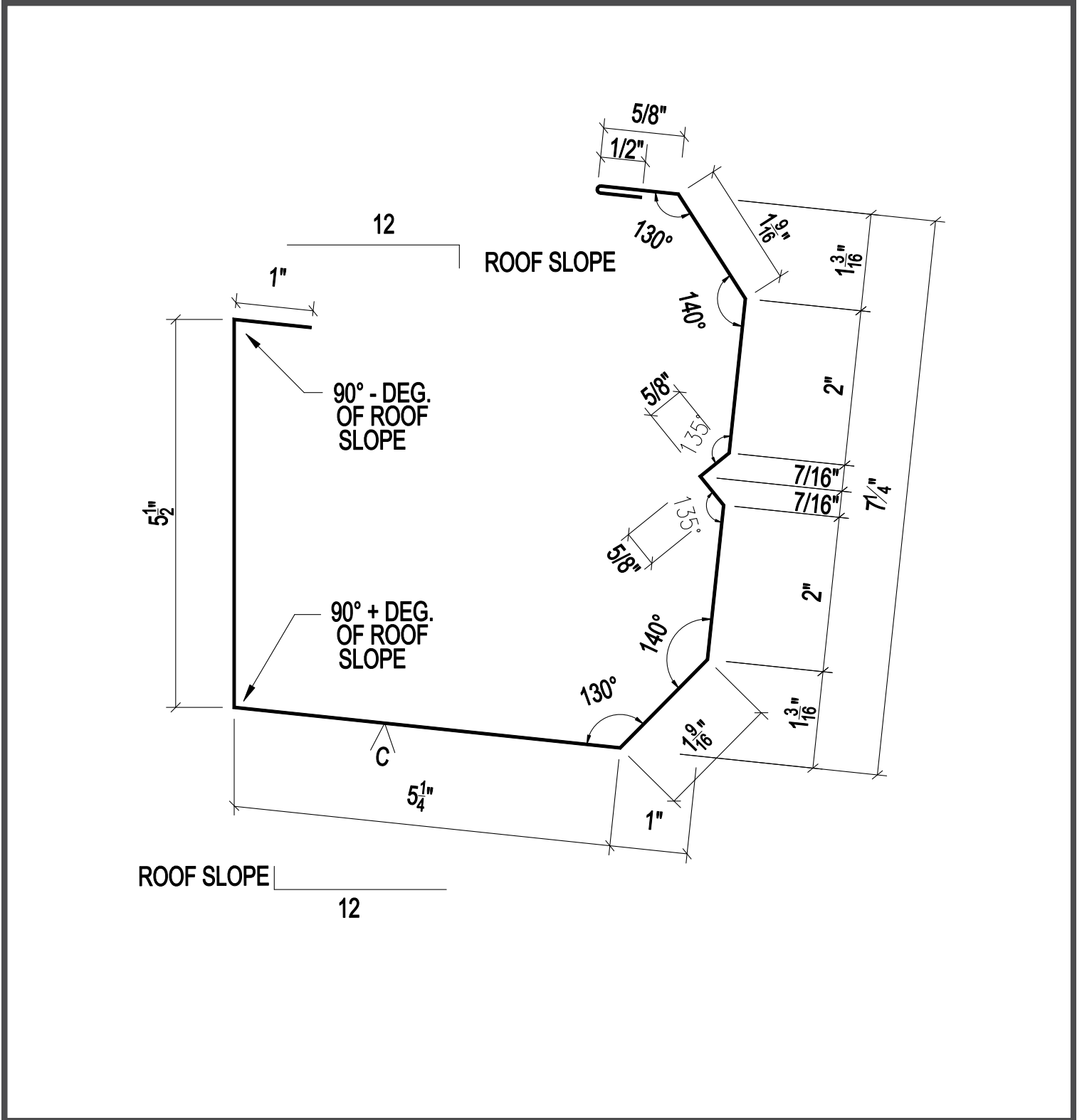
5 1/4" X 7 1/4" GUTTER END CAP
(SHADOW PROFILE)(NORTHERN STYLE)

Roof Slope	A	B	C	D	E	F	Girth	Length	WT/EA
1/2	88°	92°	5 1/2"	7 1/8"	1/2"	13/16"	8 1/4"	7 7/16"	0.3631
1	85°	95°	5 13/16"	7 1/8"	7/16"	1 1/16"	8 1/4"	7 11/16"	0.3753
2	81°	99°	6 3/8"	7 1/4"	7/16"	1 5/8"	8 1/4"	8 1/4"	0.4027
3	76°	104°	7"	7 3/8"	3/8"	2 3/16"	8 1/4"	8 13/16"	0.4302
4	72°	108°	7 9/16"	7 1/2"	3/8"	2 3/4"	8 1/4"	9 3/8"	0.4577



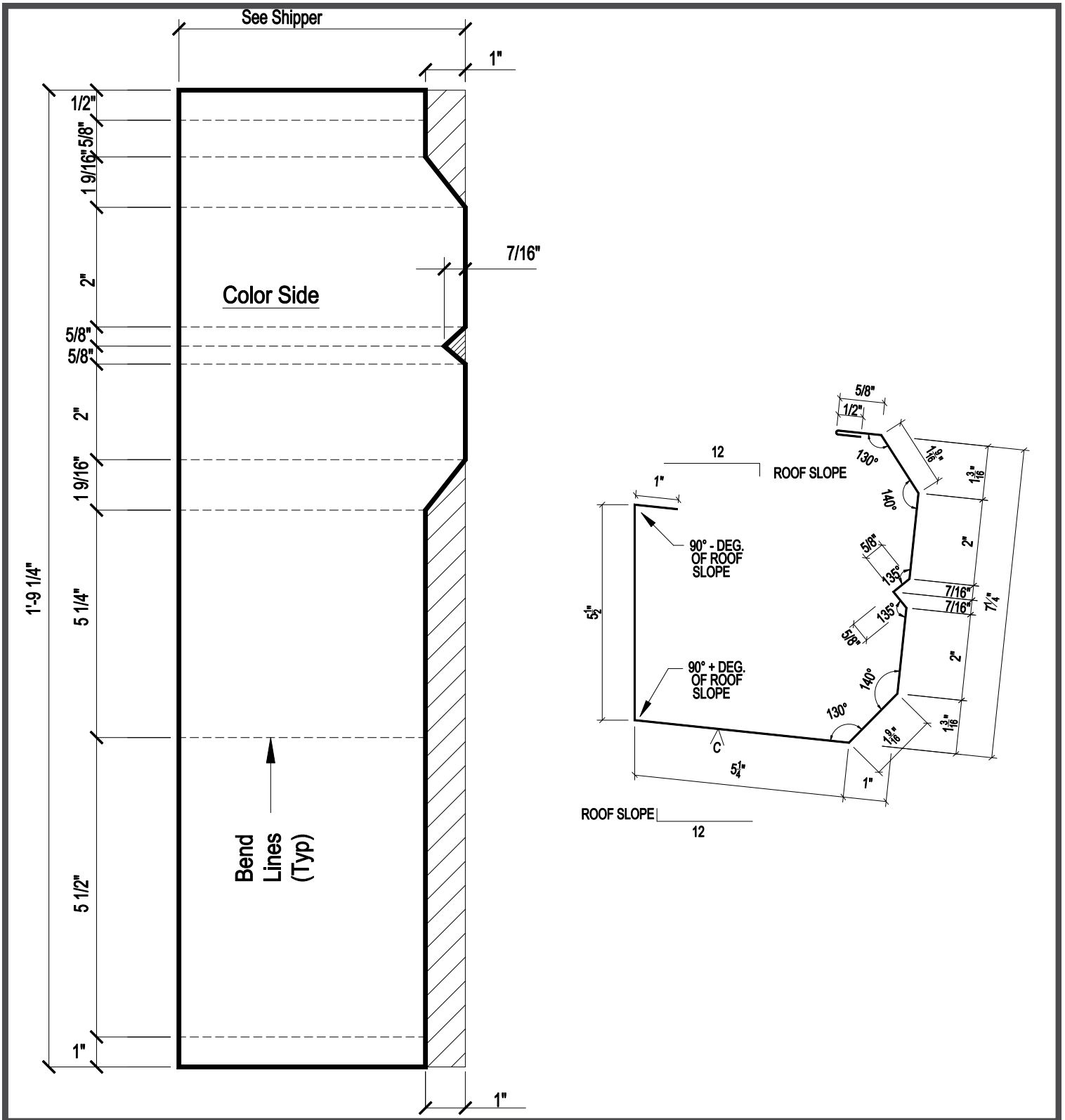
FL-170

SHADOW GUTTER ("PBR" PANEL)



FL-170 R
 FL-170 L

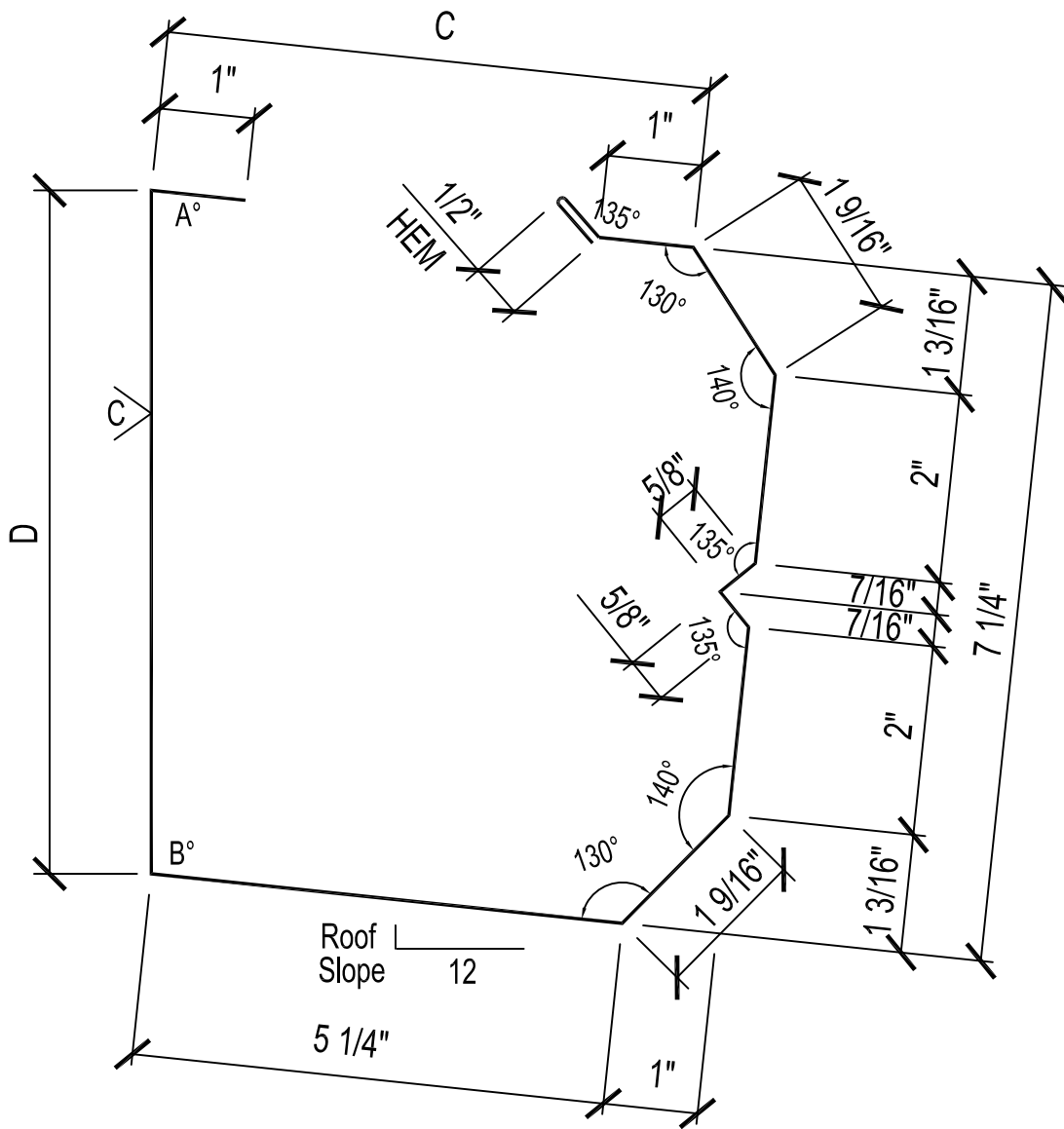
SHADOW GUTTER



FL-171

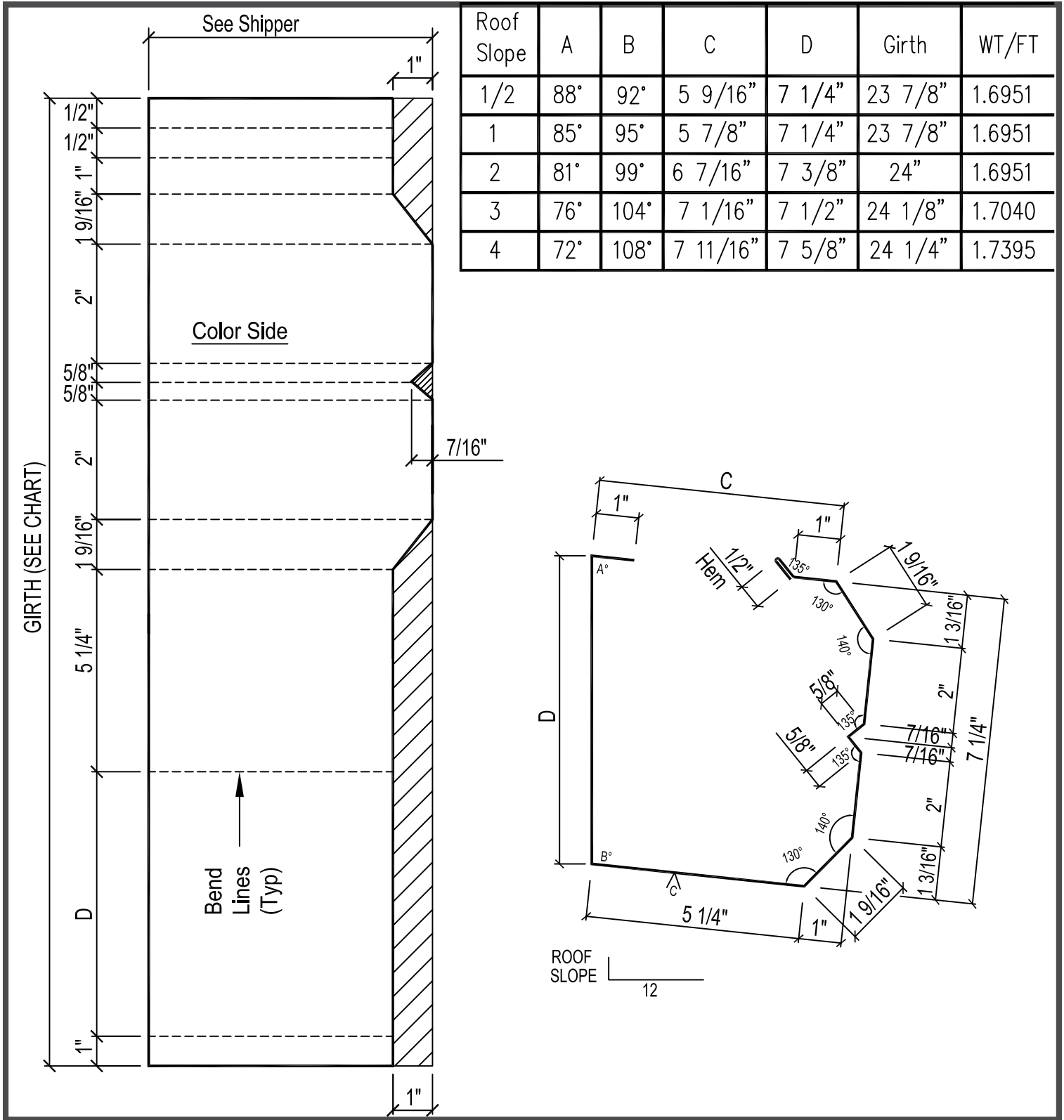
5 1/4" X 7 1/4" GUTTER
(SHADOW PROFILE)(FOR NORTHERN STYLE)

Roof Slope	A	B	C	D	Girth	WT/FT
1/2	88°	92°	5 9/16"	7 1/4"	23 7/8"	1.6951
1	85°	95°	5 7/8"	7 1/4"	23 7/8"	1.6951
2	81°	99°	6 7/16"	7 3/8"	24"	1.6951
3	76°	104°	7 1/16"	7 1/2"	24 1/8"	1.7040
4	72°	108°	7 11/16"	7 5/8"	24 1/4"	1.7395



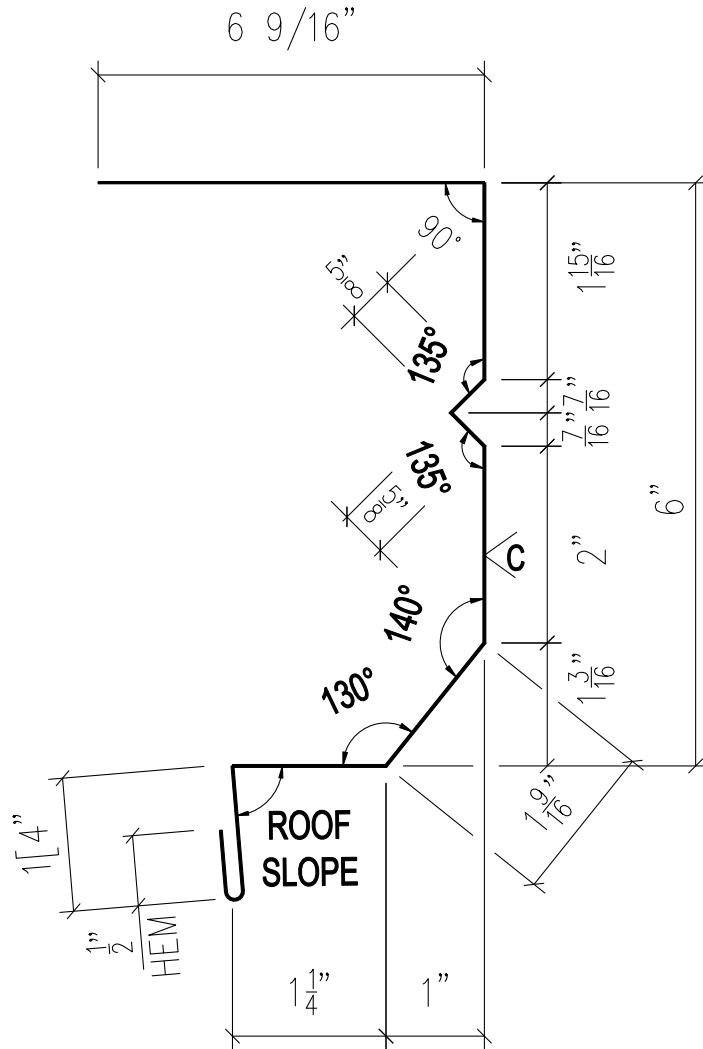
FL-171 R
FL-171 L

5 1/4" X 7 1/4" MITERED GUTTER
(SHADOW PROFILE)(NORTHERN STYLE)



FL-172

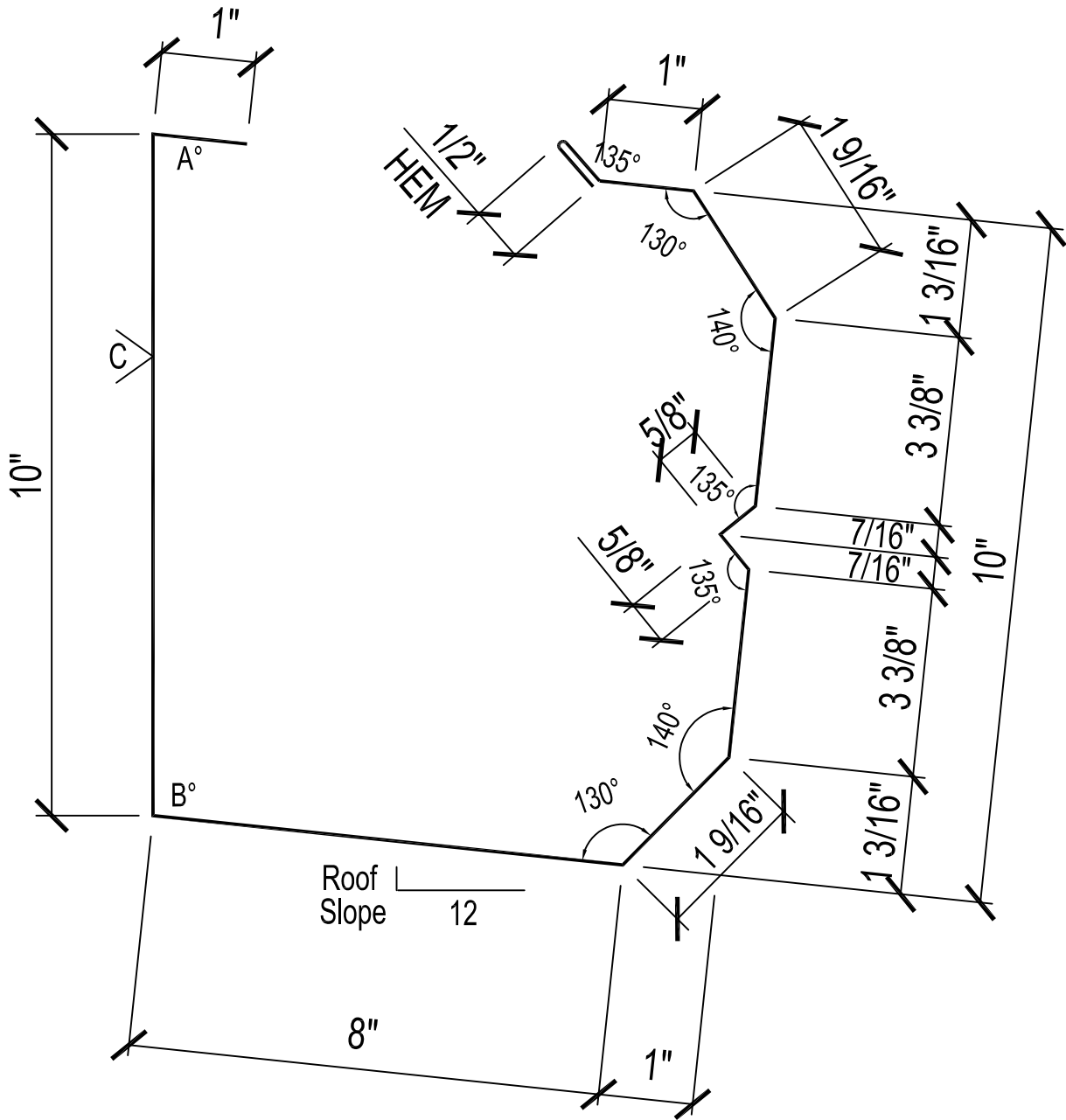
SHADOW EAVE TRIM ("PBR" PANEL)



FL-173

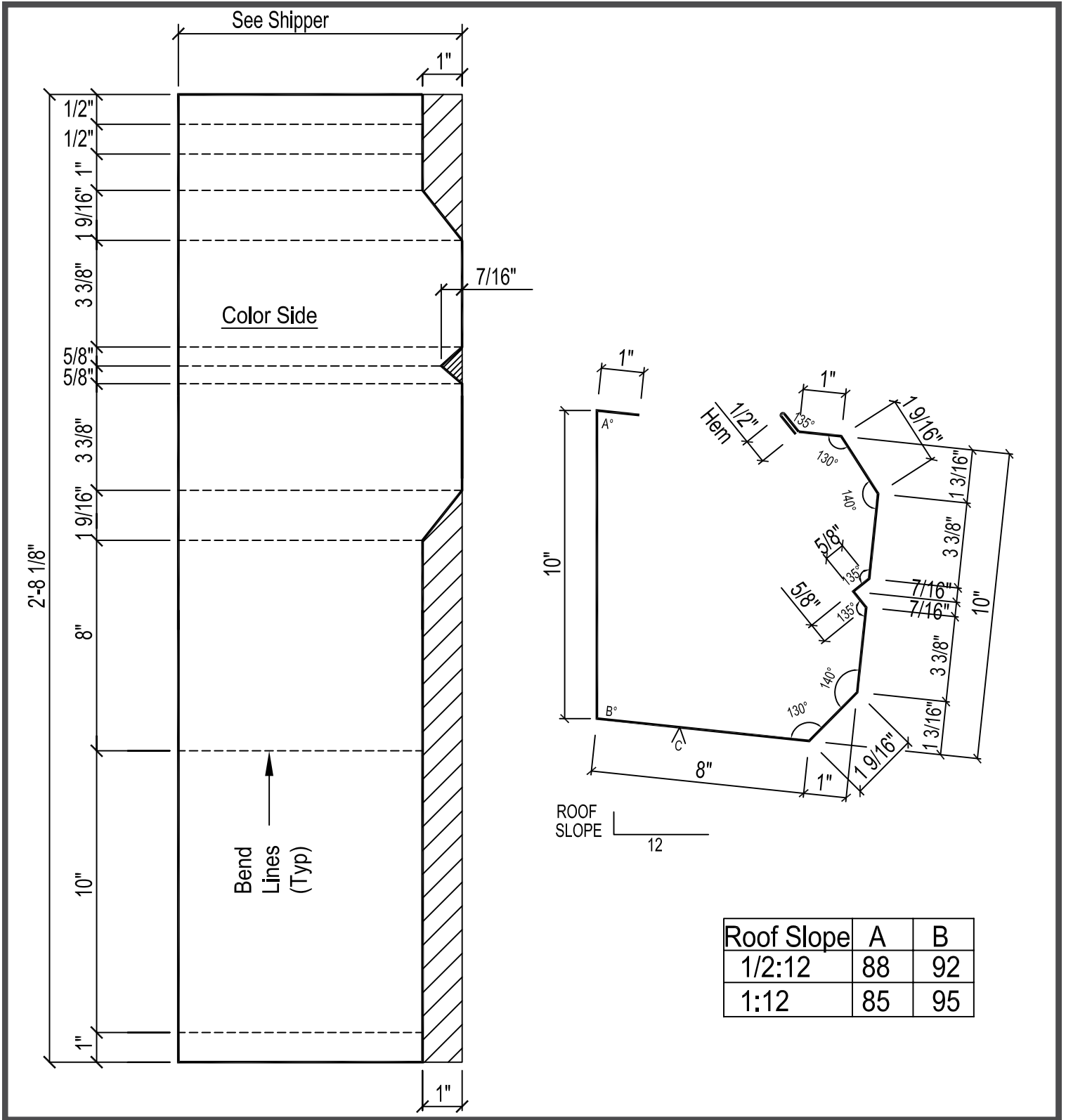
8" X 10" SHADOW GUTTER
(FOR NORTHERN STYLE)

Roof Slope	A	B
1/2:12	88	92
1:12	85	95



FL-173 R
FL-173 L

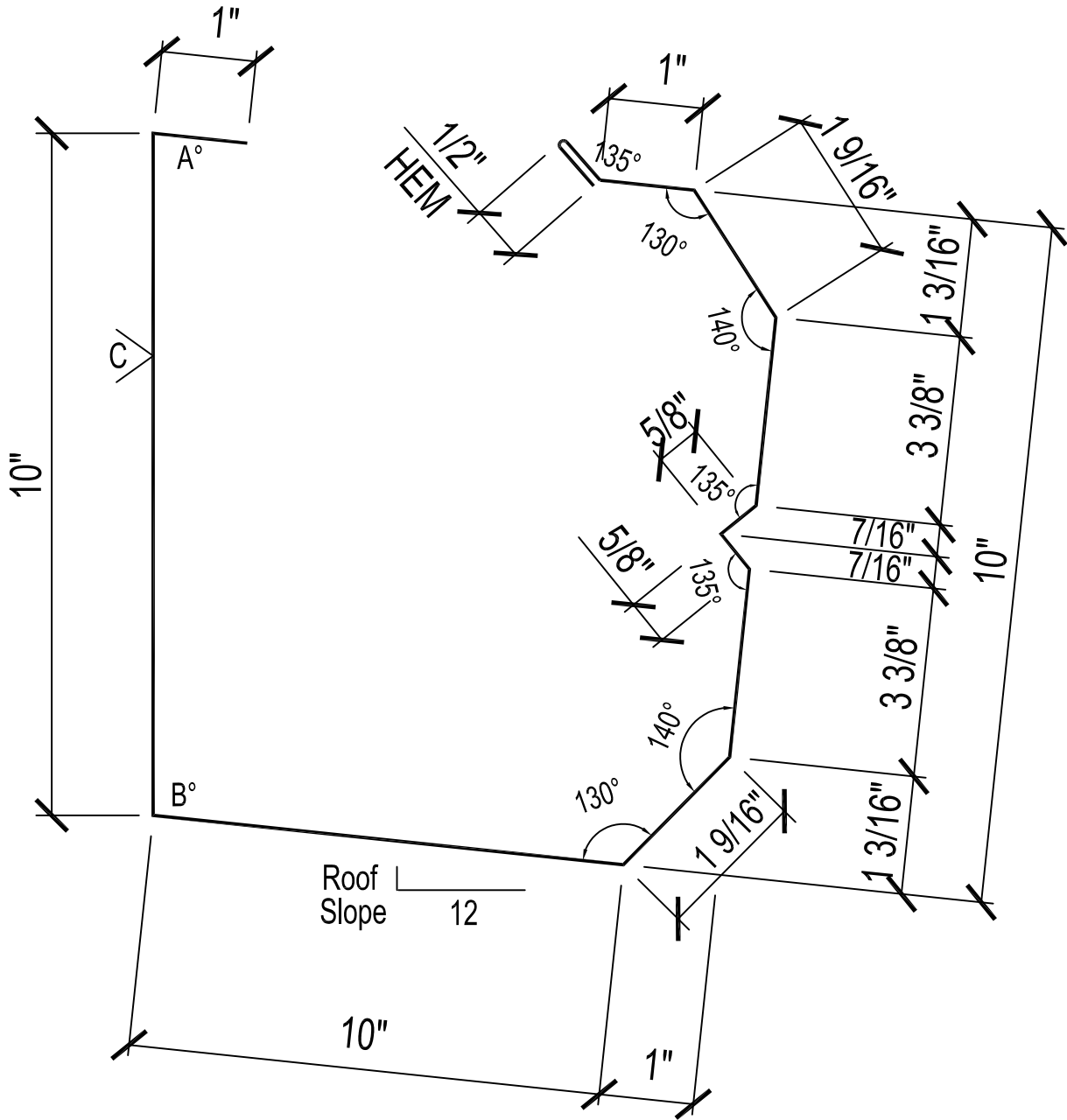
8" X 10" SHADOW GUTTER



FL-174

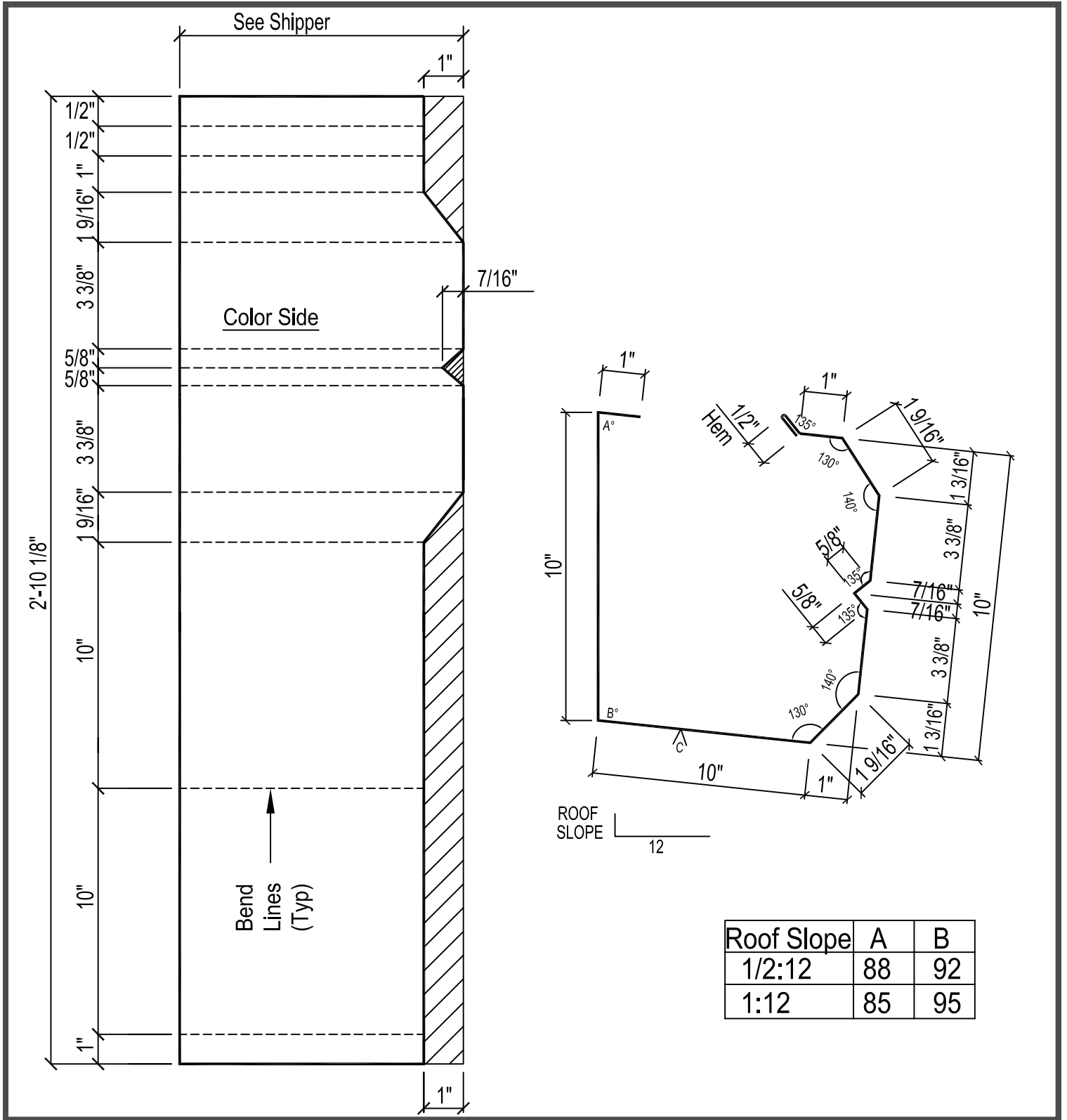
10" X 10" SHADOW GUTTER
(FOR NORTHERN STYLE)

Roof Slope	A	B
1/2:12	88	92
1:12	85	95



FL-174 R
FL-174 L

10" X 10" SHADOW GUTTER

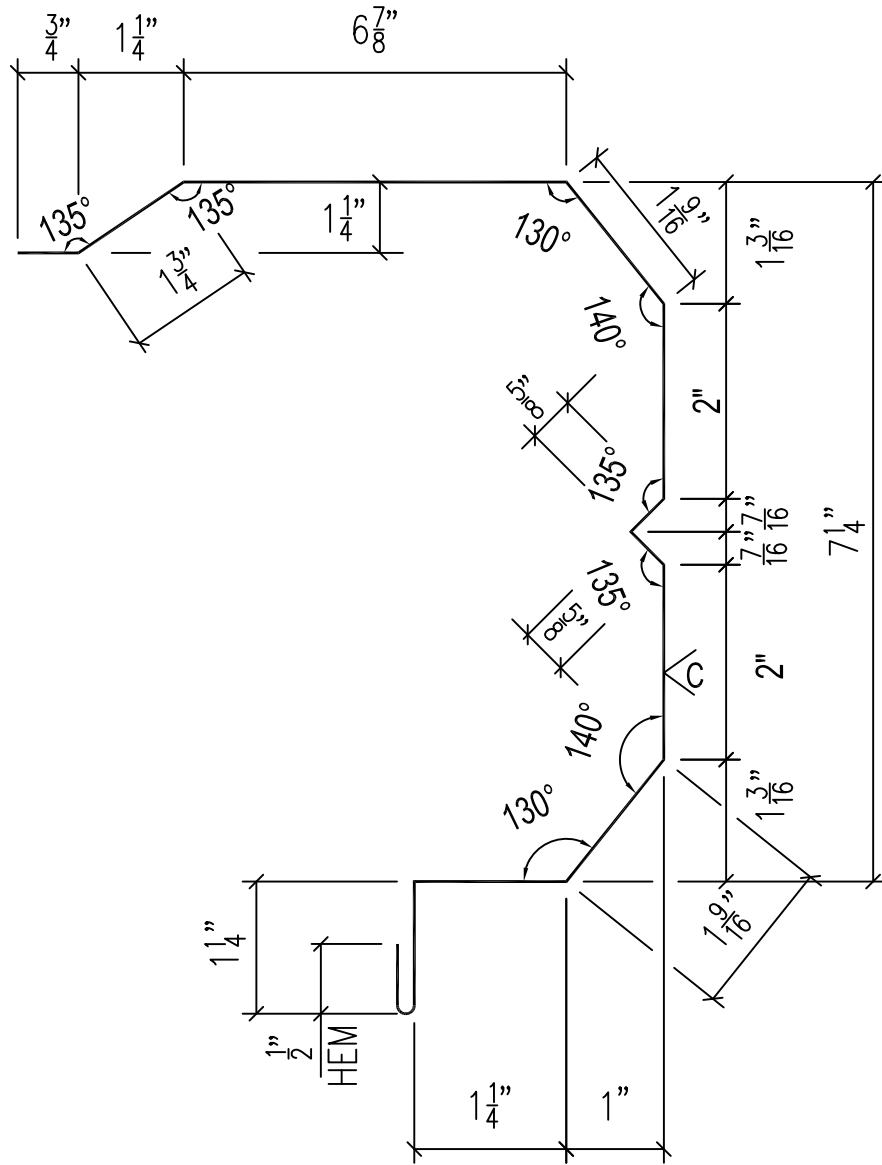


Roof Slope	A	B
1/2:12	88	92
1:12	85	95



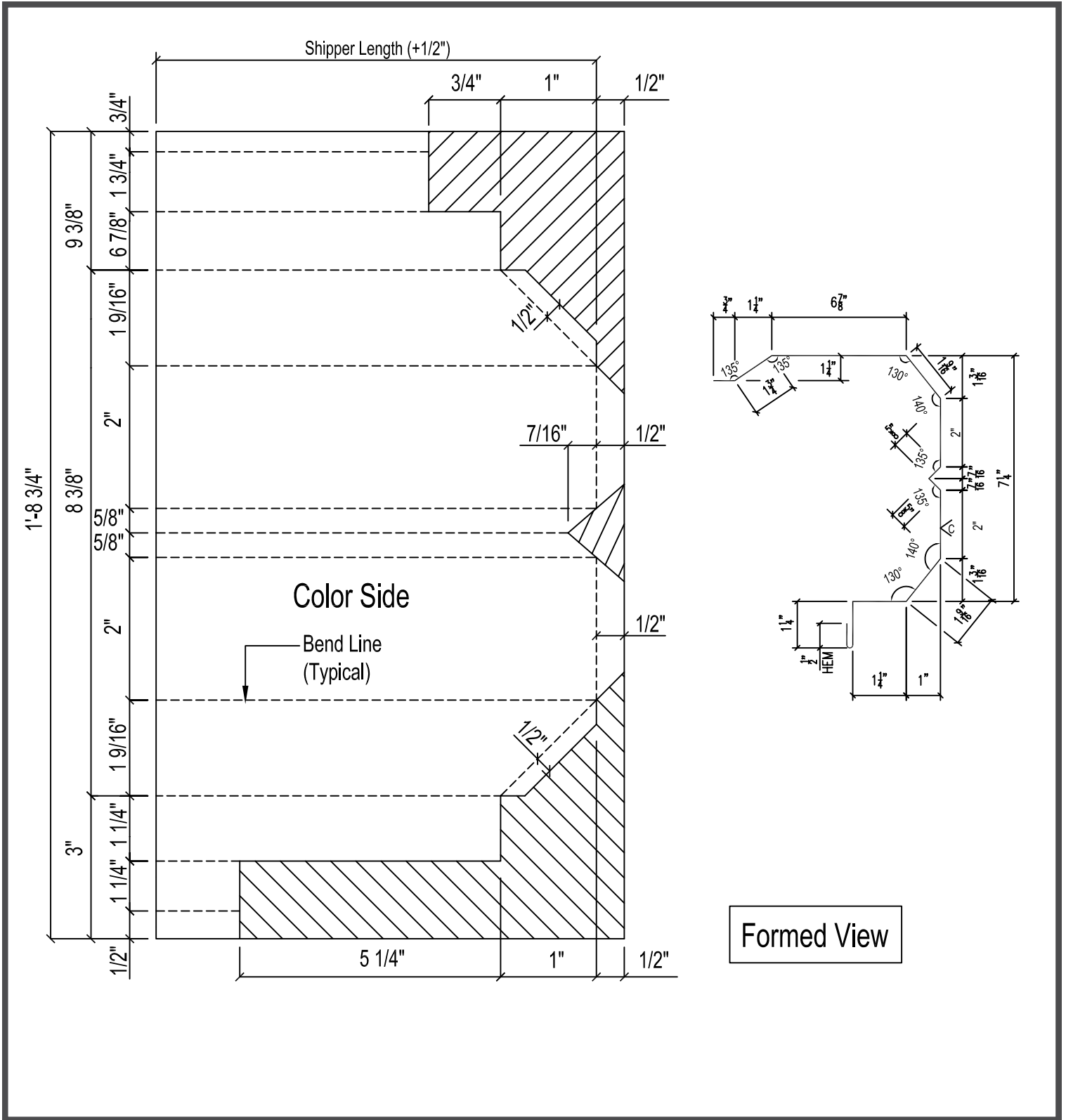
FL-175

SHADOW RAKE
("PBR" PANEL)



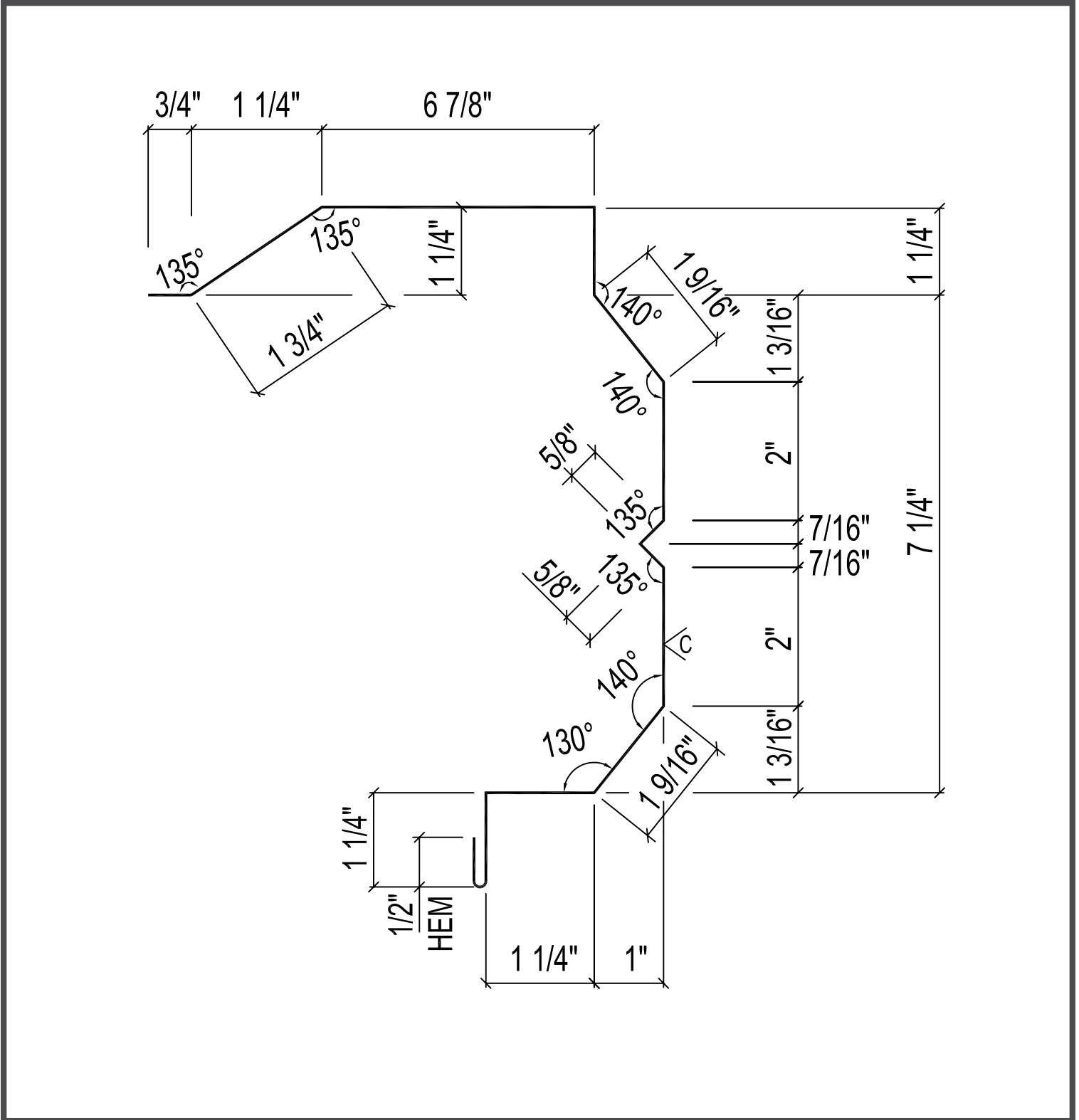
FL-175 R
FL-175 L

SHADOW RAKE



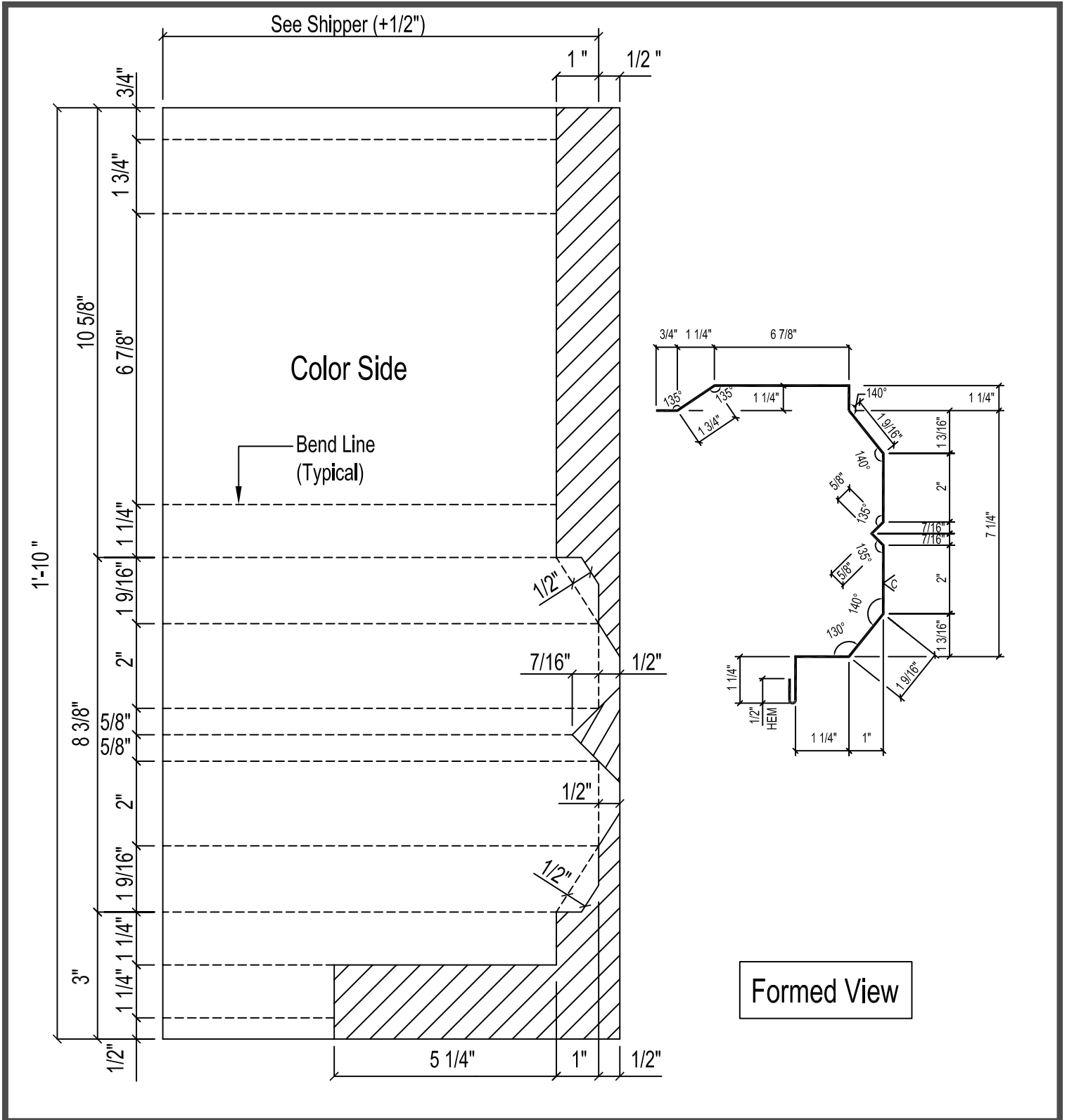
FL-176

7 1/4" SHADOW RAKE
(FOR NORTHERN STYLE)("PBR" PANEL)



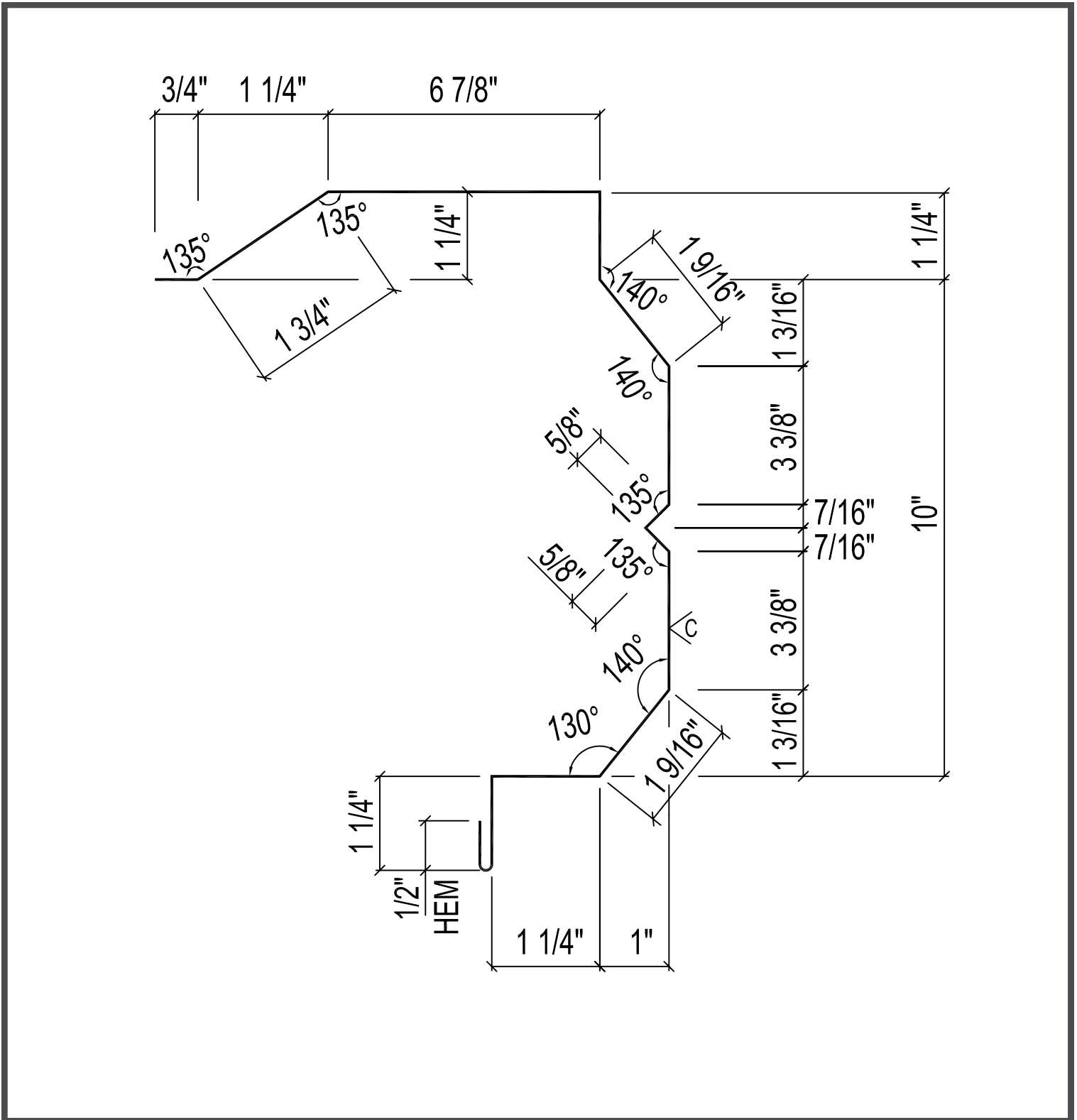
FL-176 R
 FL-176 L

7 1/4" MITERED SHADOW RAKE
 (FOR NORTHERN STYLE) ("PBR" PANEL)



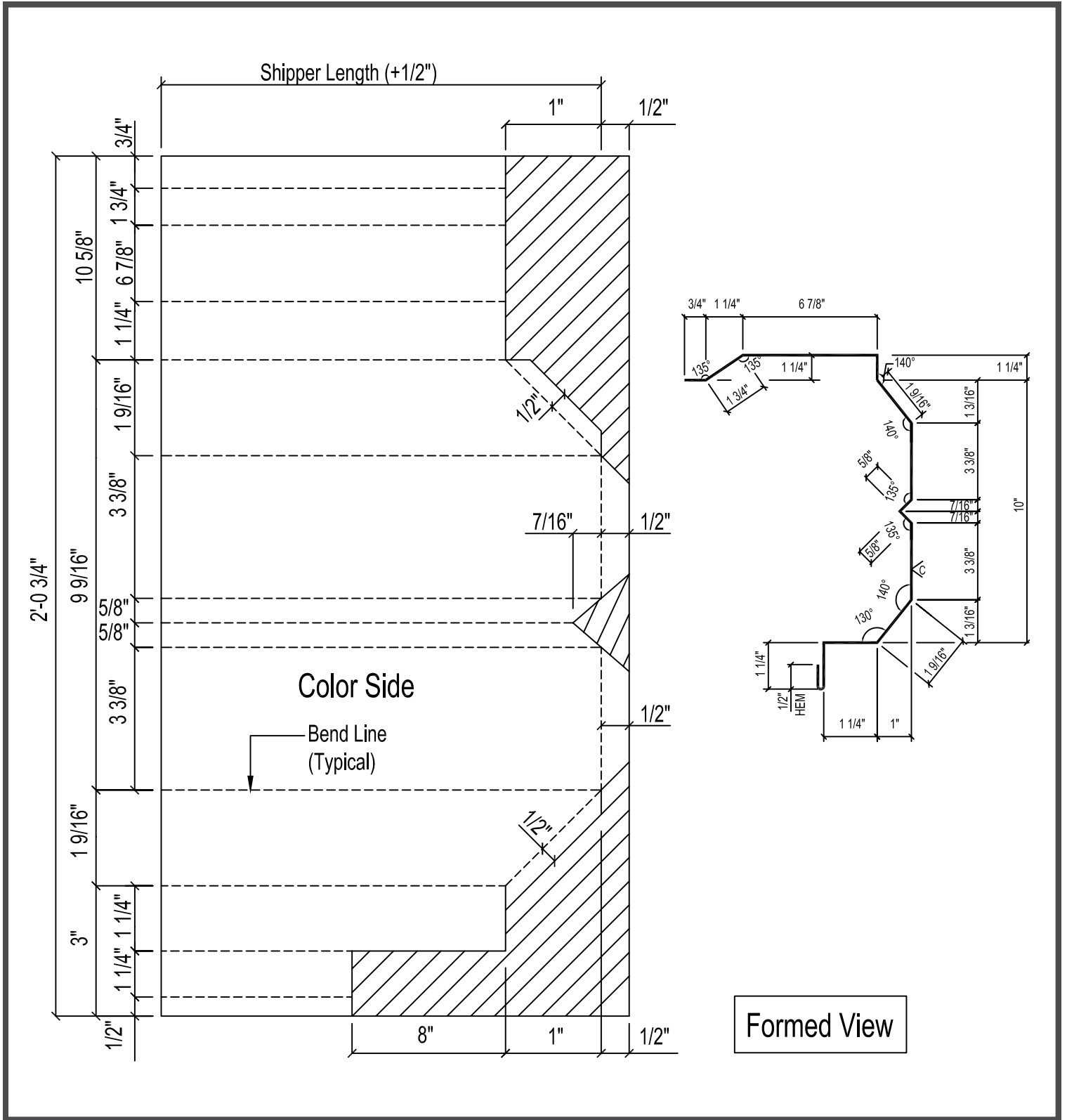
FL-177

10" SHADOW RAKE
("PBR" PANEL)



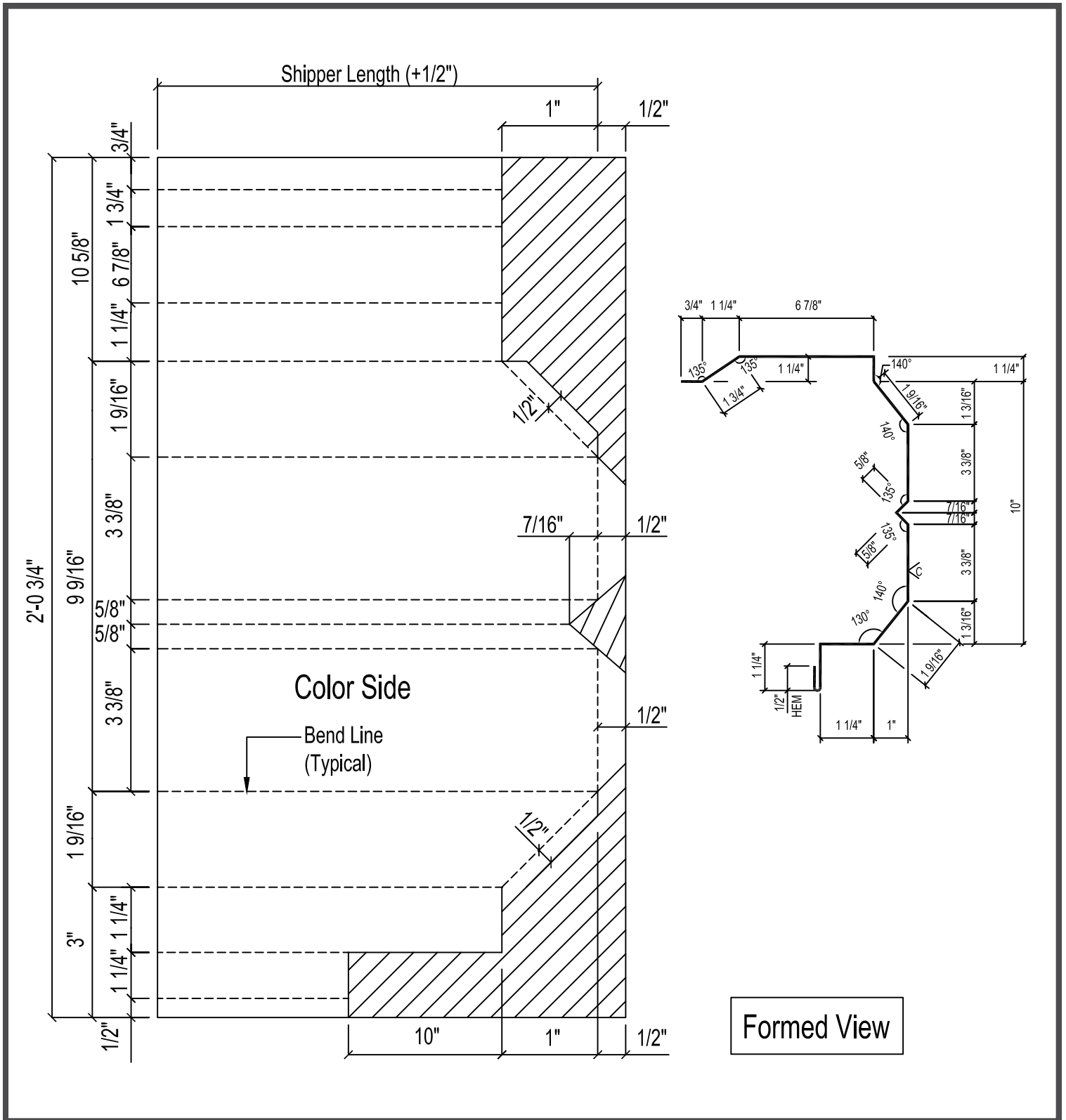
FL-178 R
 FL-178 L

10" SHADOW RAKE
 ("PBR" PANEL 8" GUTTER)



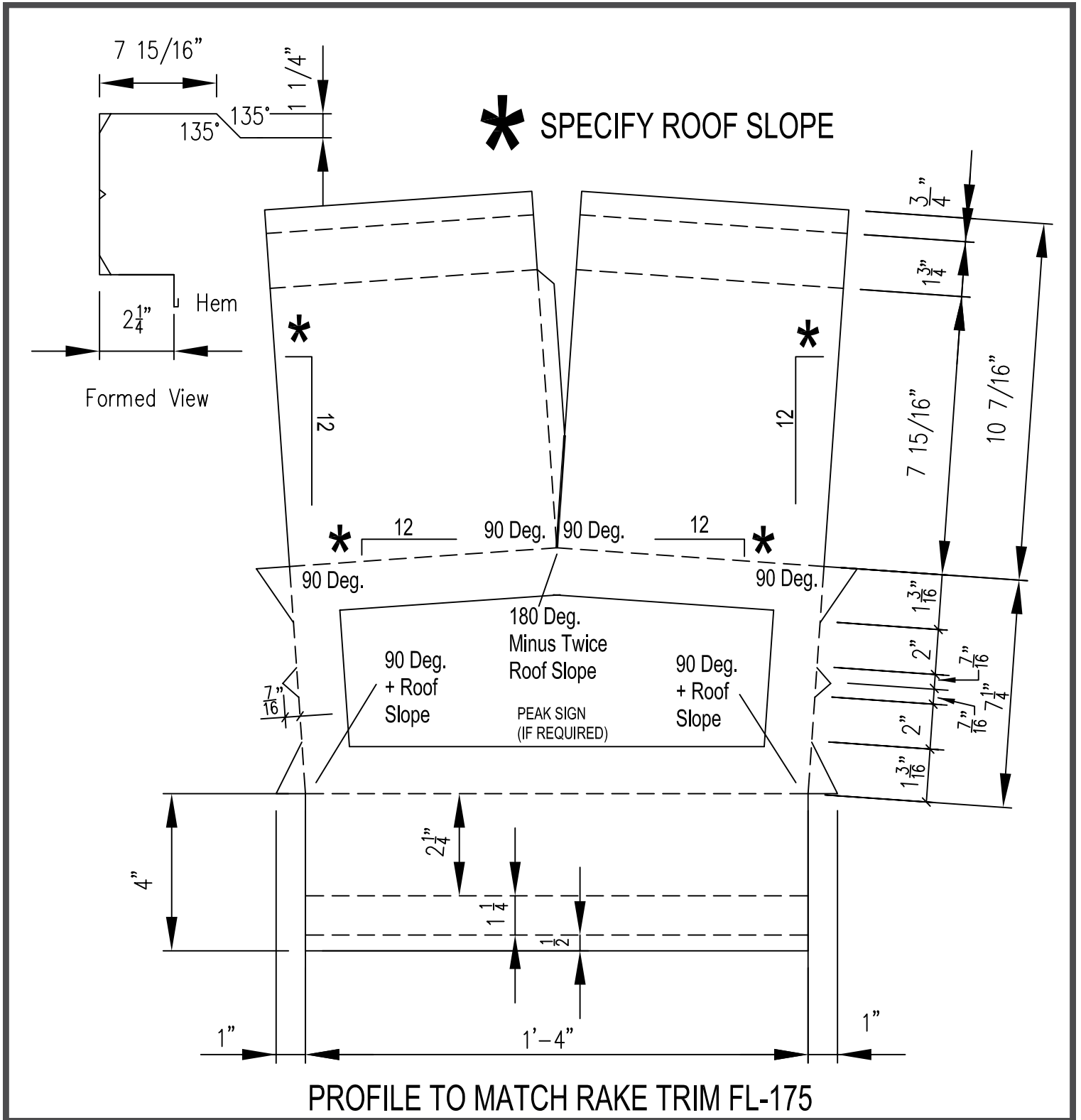
FL-17 R
FL-17 L

10" SHADOW RAKE ("PBR" PANEL 10" GUTTER)



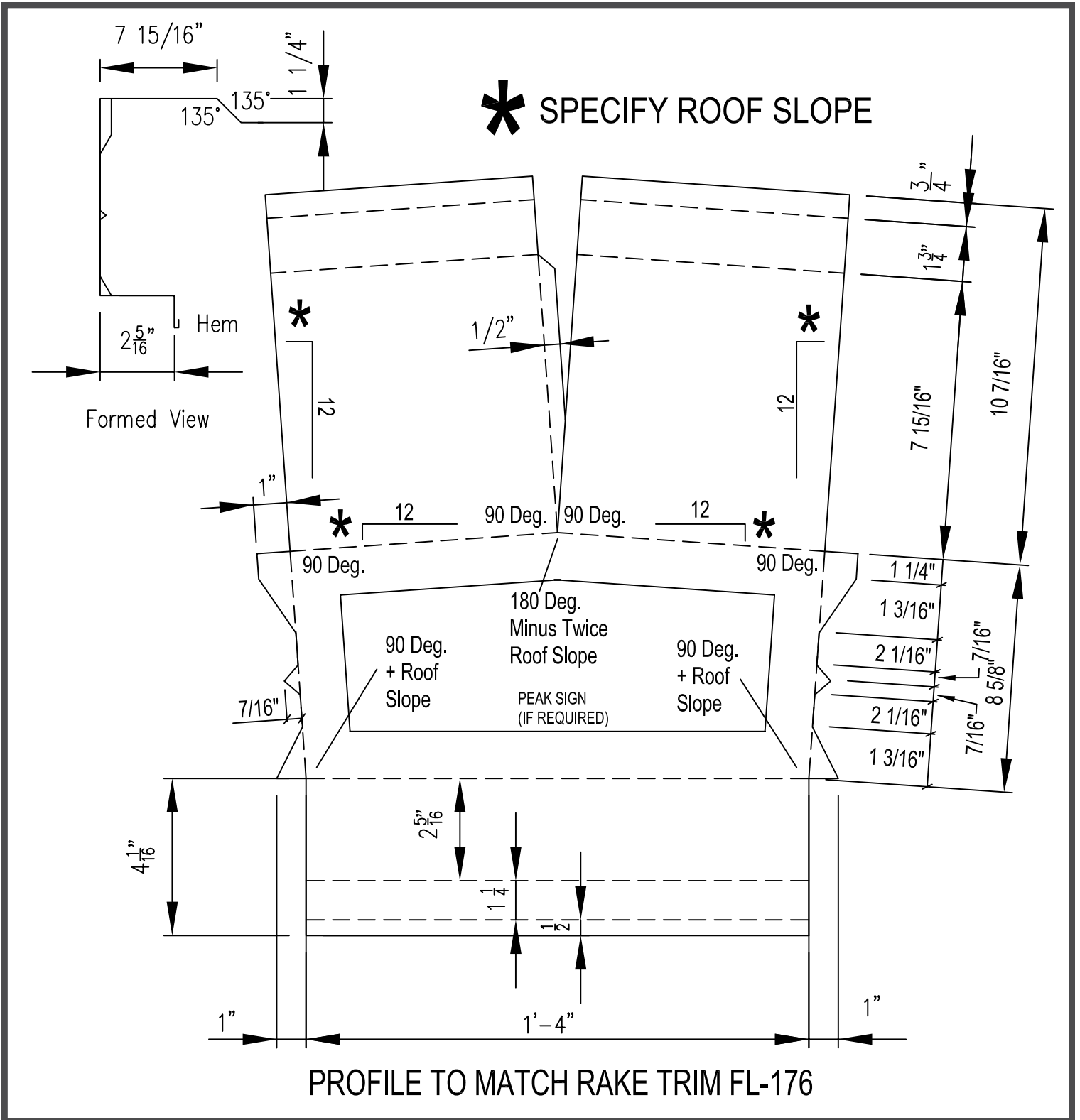
FL-180

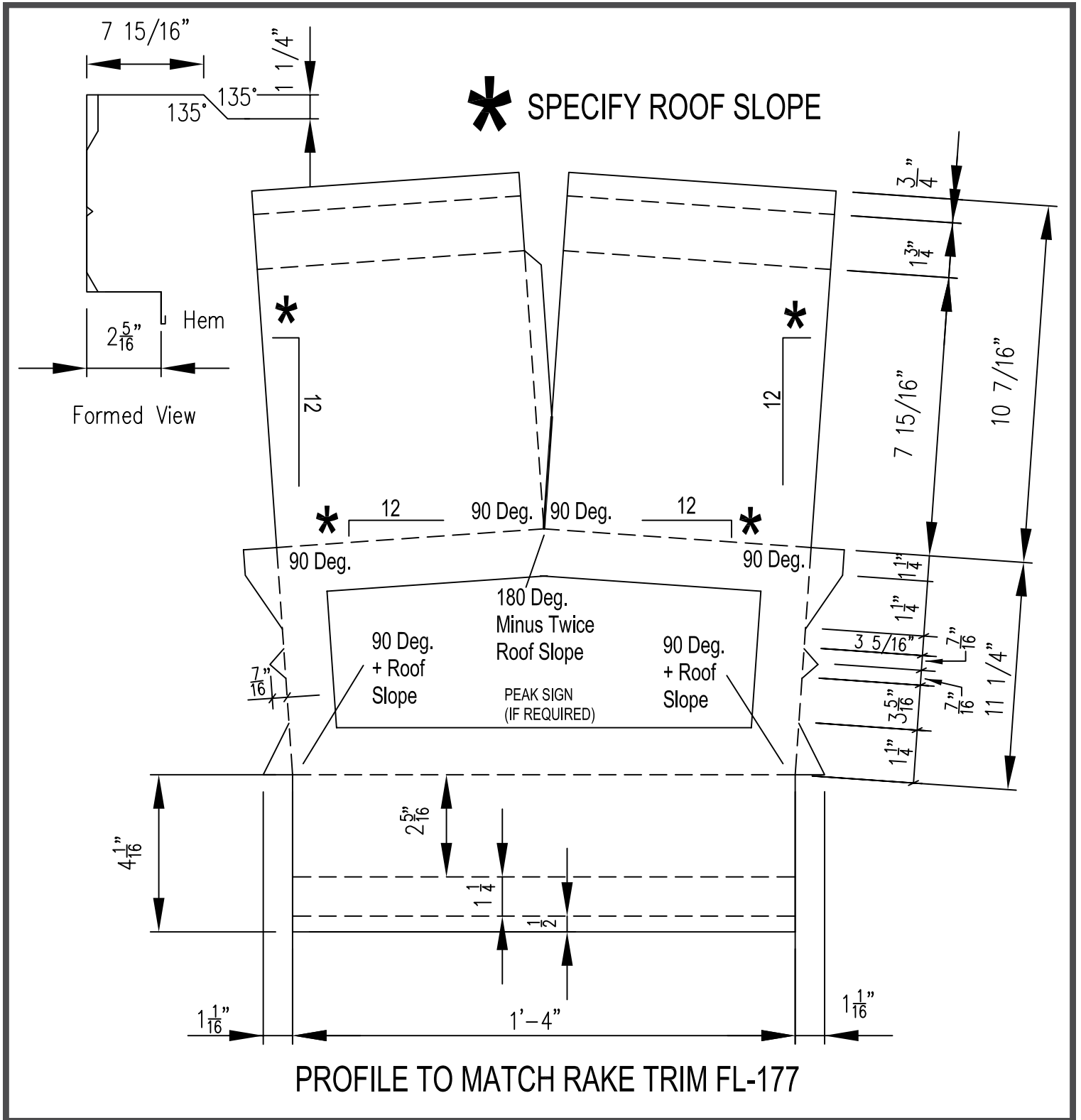
PEAK BO ("PBR" PANEL)(SHADO)



FL-181

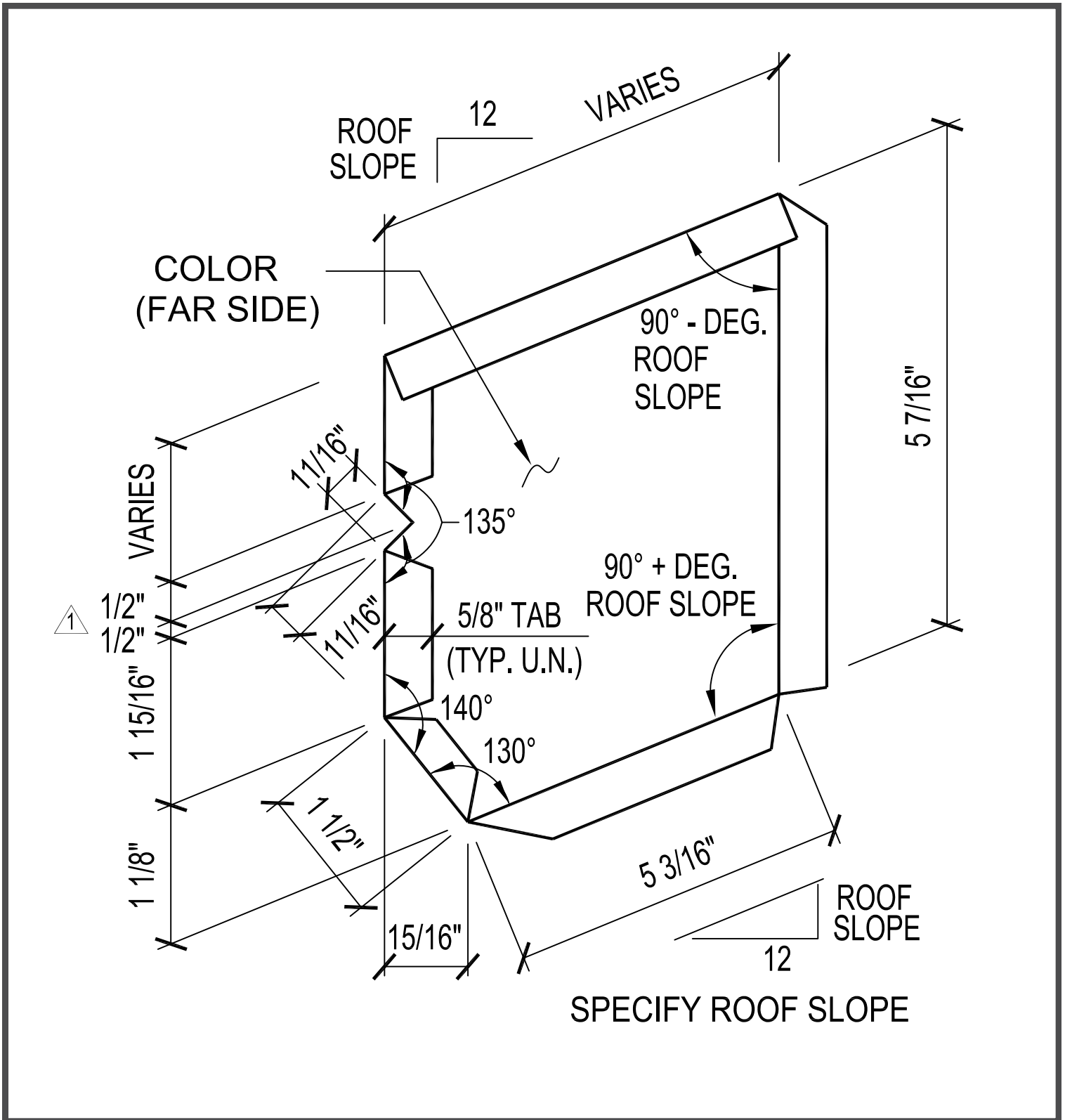
7 1/4" NORTHERN PEAK BO
("PBR" PANEL)(SHADO)





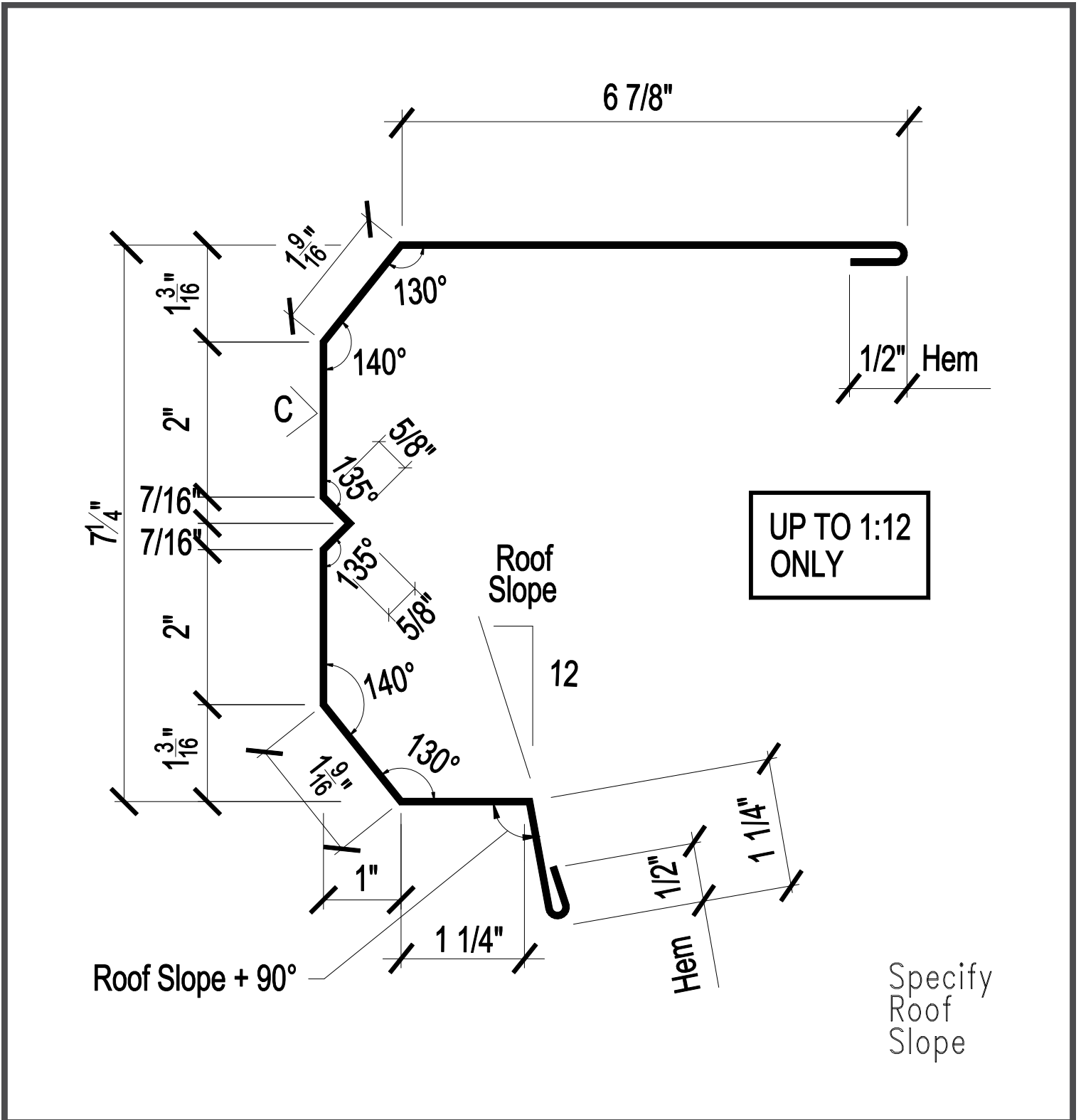
FL-183 L
FL-183 R

GUTTER END CAP (SHADOW) ("PBR" PANEL)



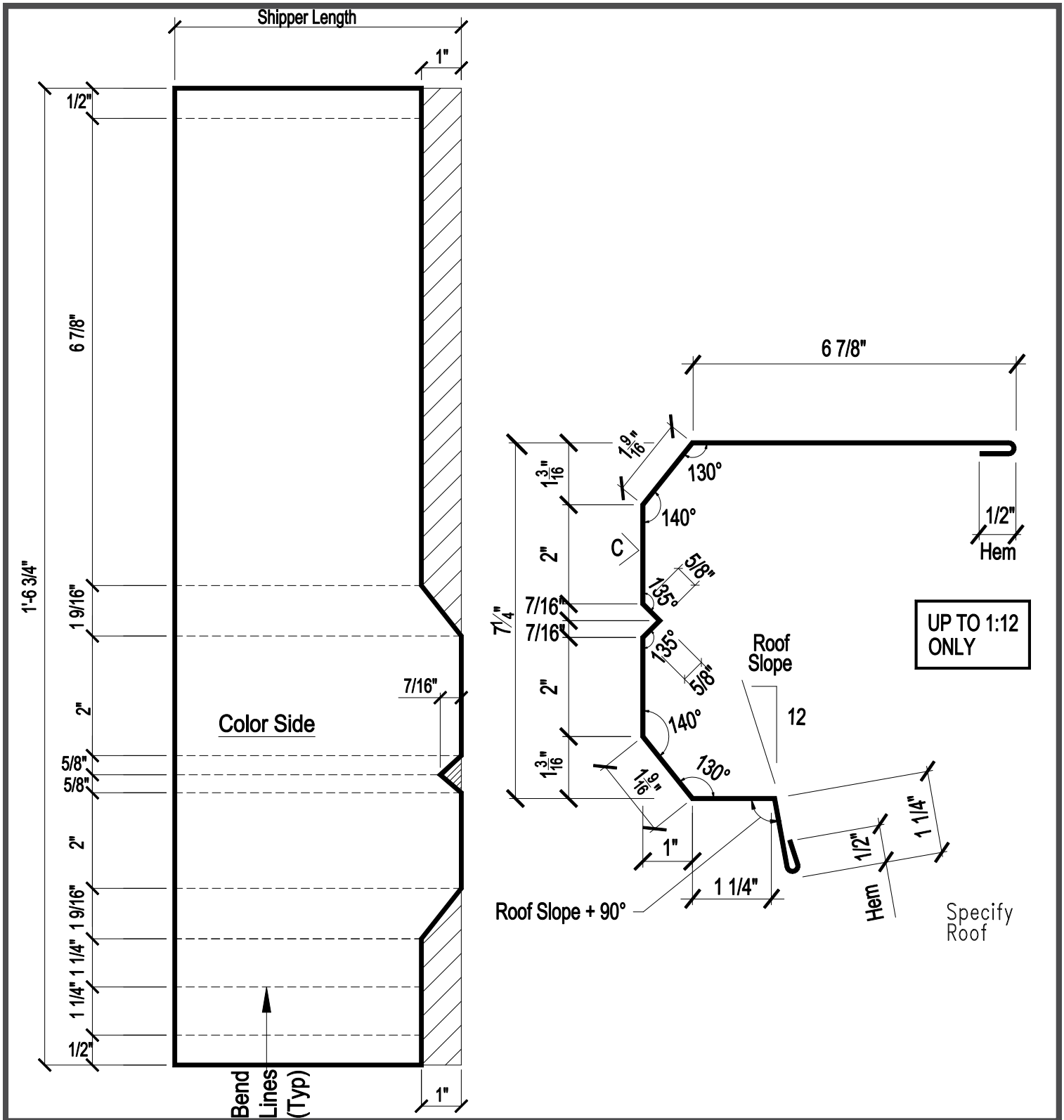
FL-184

HIGH SIDE EAVE TRIM ("PBR" PANEL)



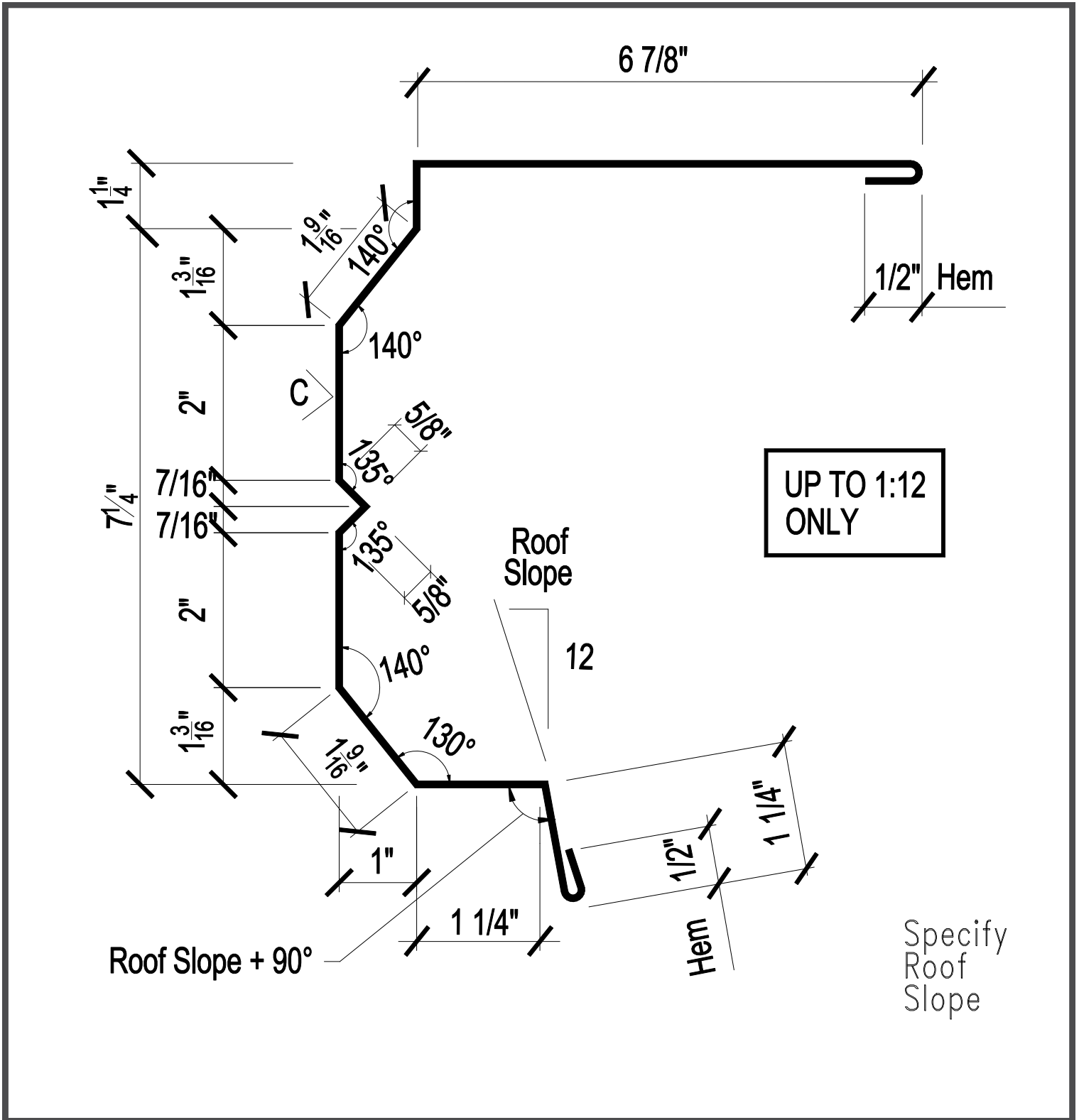
FL-184 R
FL-184 L

HIGH SIDE EAVE TRIM ("PBR" PANEL)



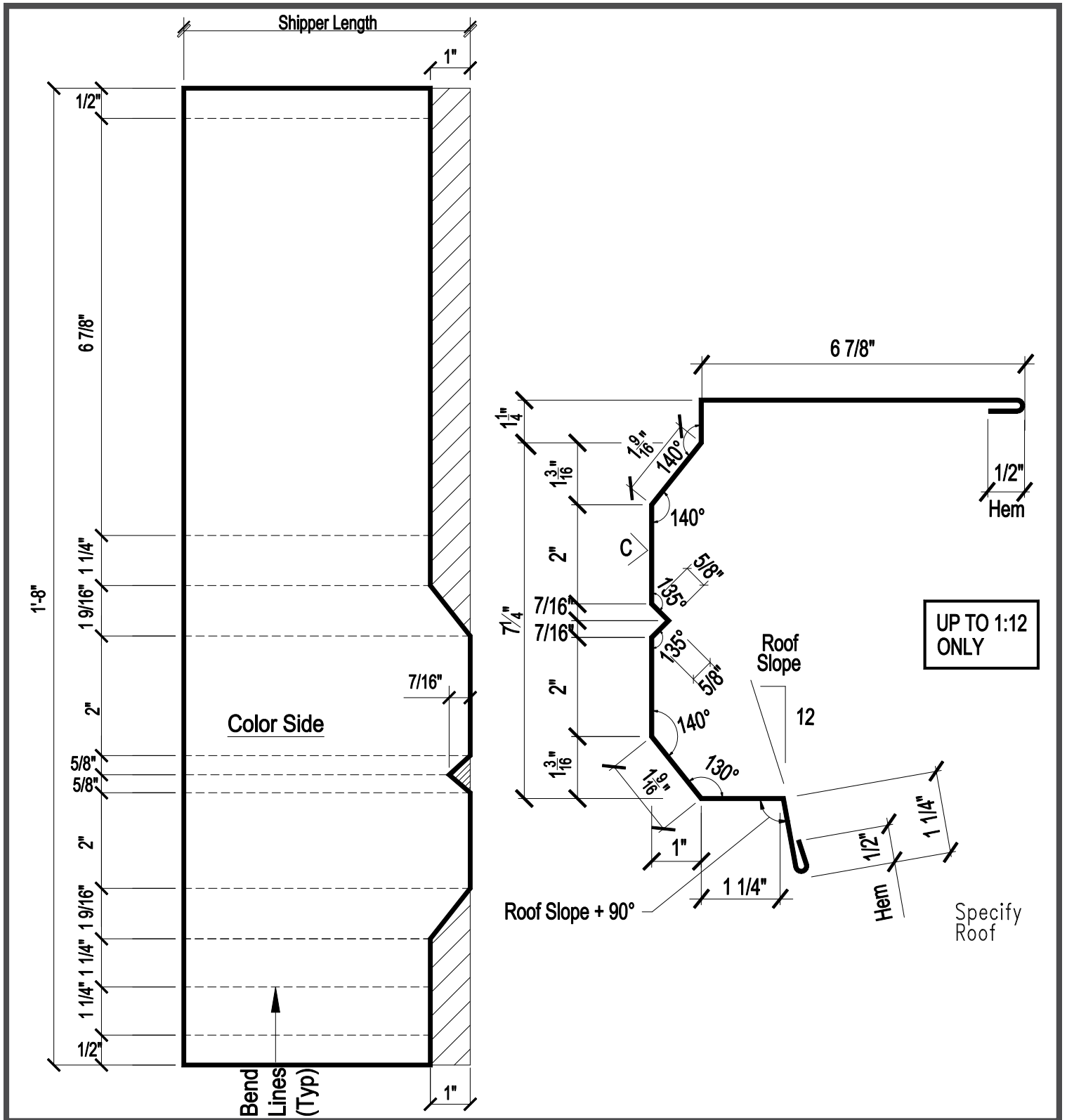
FL-185

7 1/4" HIGH SIDE EAVE TRIM
(FOR NORTHERN STYLE)("PBR" PANEL)



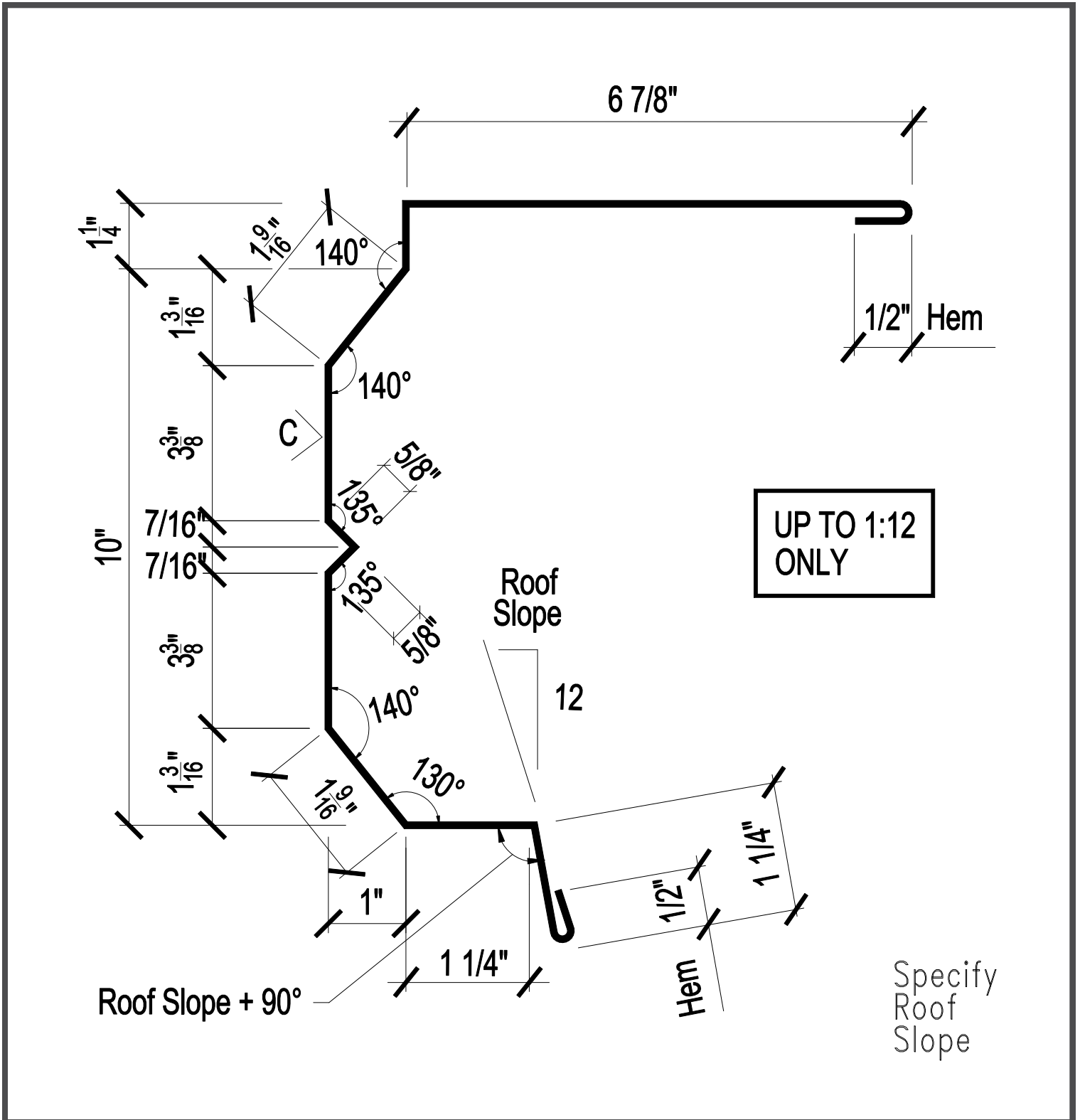
FL-185 R
 FL-185 L

HIGH SIDE EAVE TRIM (FOR NORTHERN STYLE) ("PBR" PANEL)



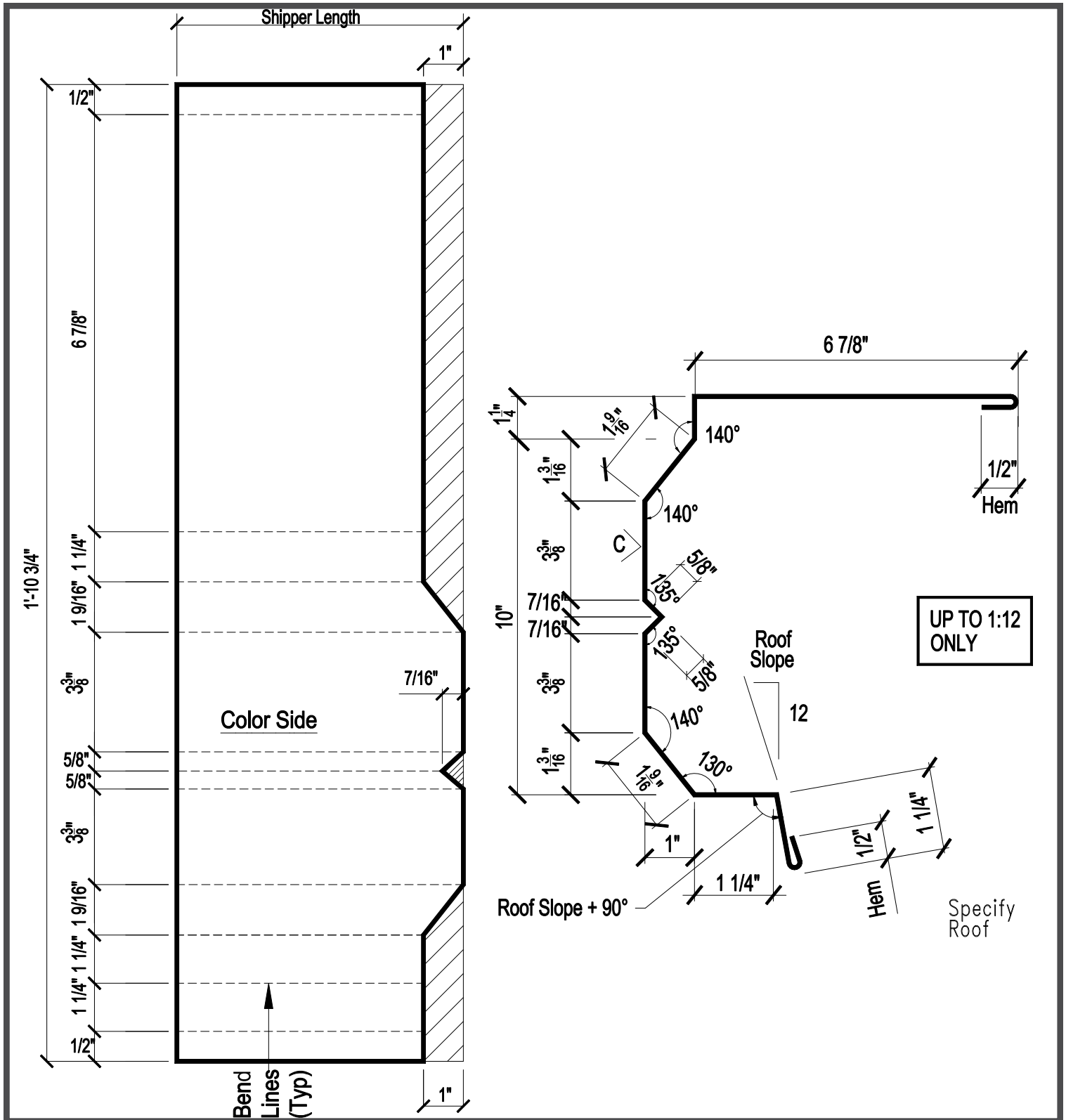
FL-186

10" HIGH SIDE EAVE TRIM
(FOR NORTHERN STYLE)("PBR" PANEL)



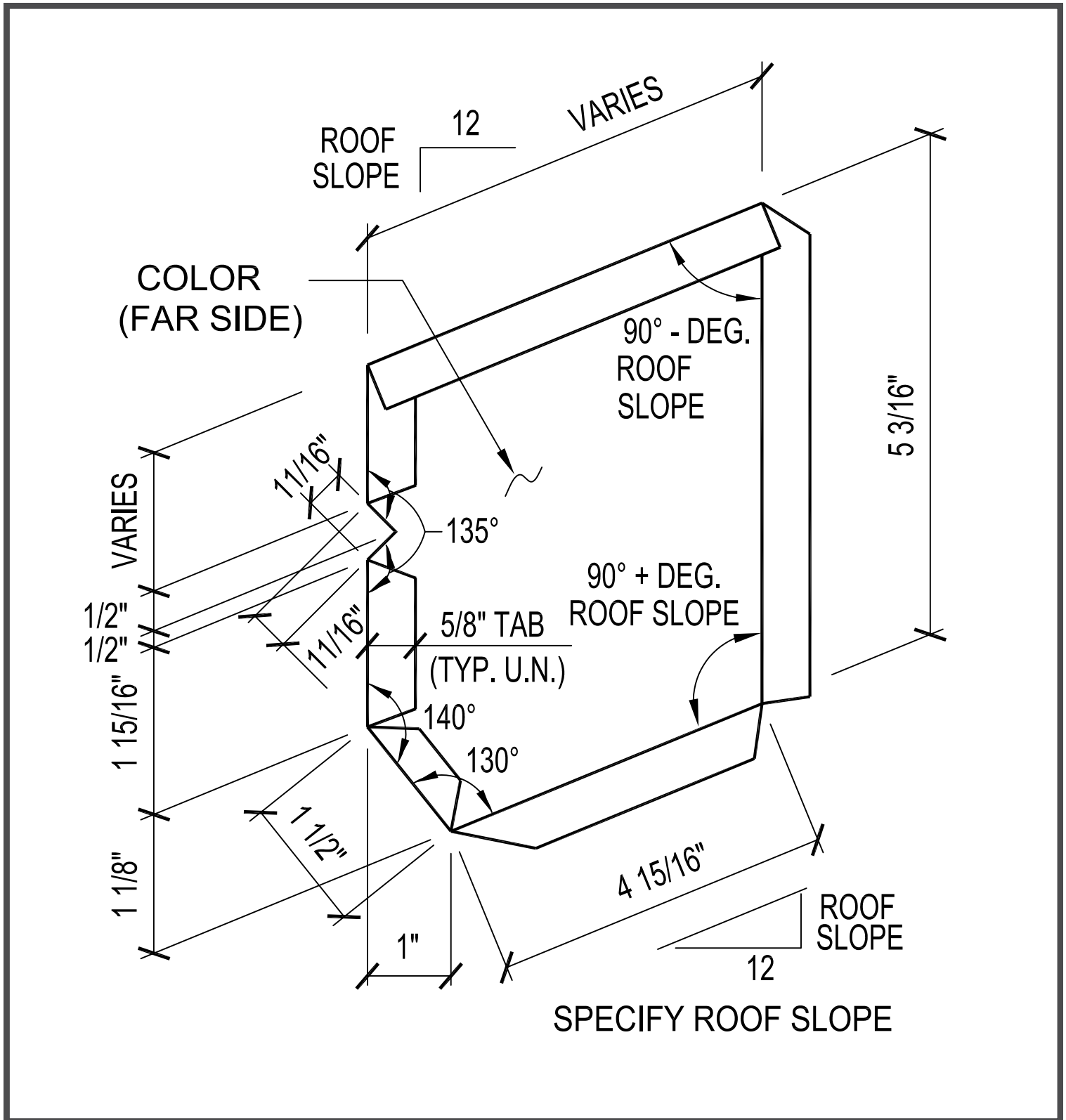
FL-186 R
FL-186 L

10" HIGH SIDE EAVE TRIM
(FOR NORTHERN STYLE) ("PBR" PANEL)



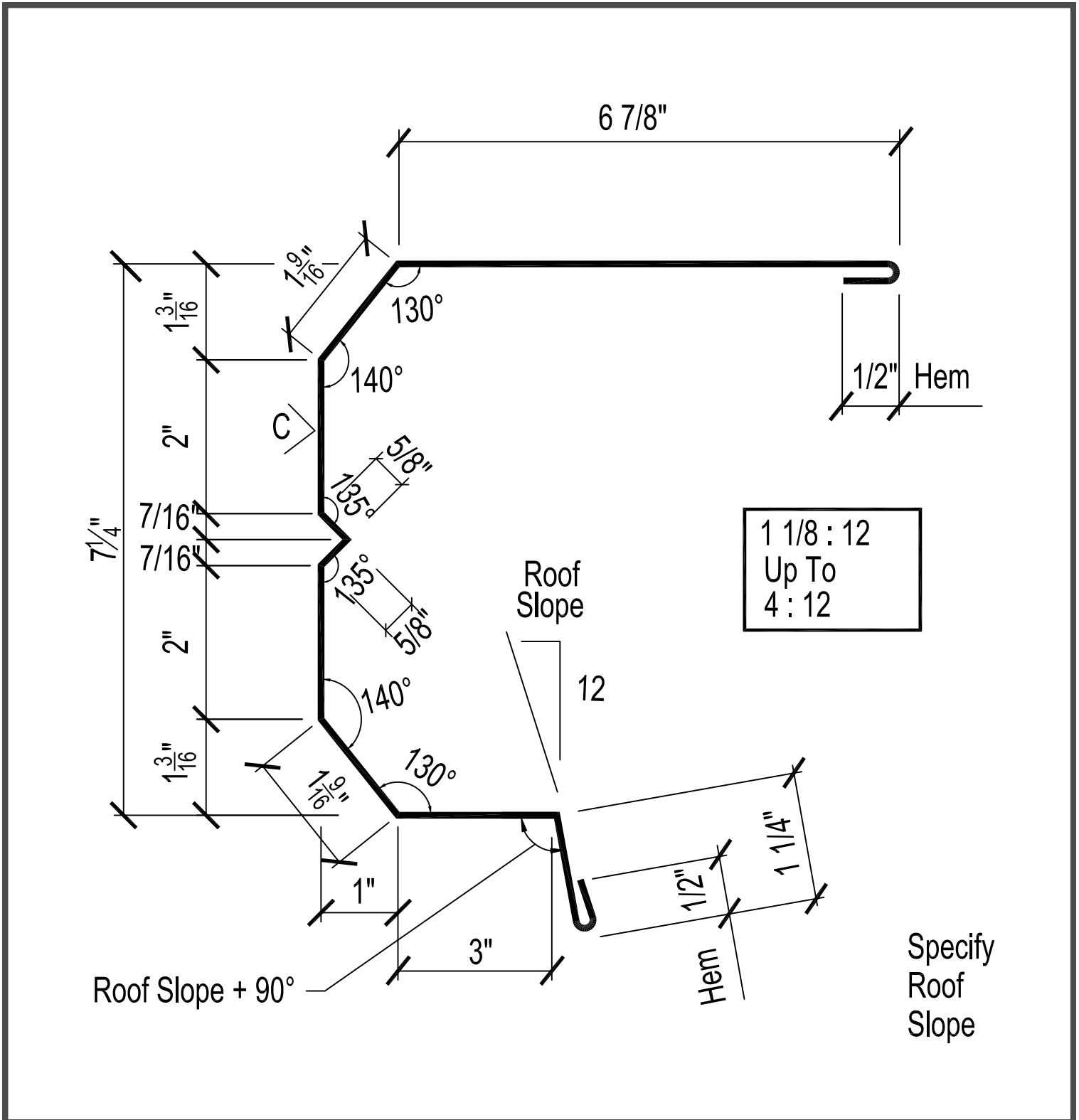
FL-187 L
FL-187 R

GUTTER END CAP (SHADOW) (VS-216 PANEL)



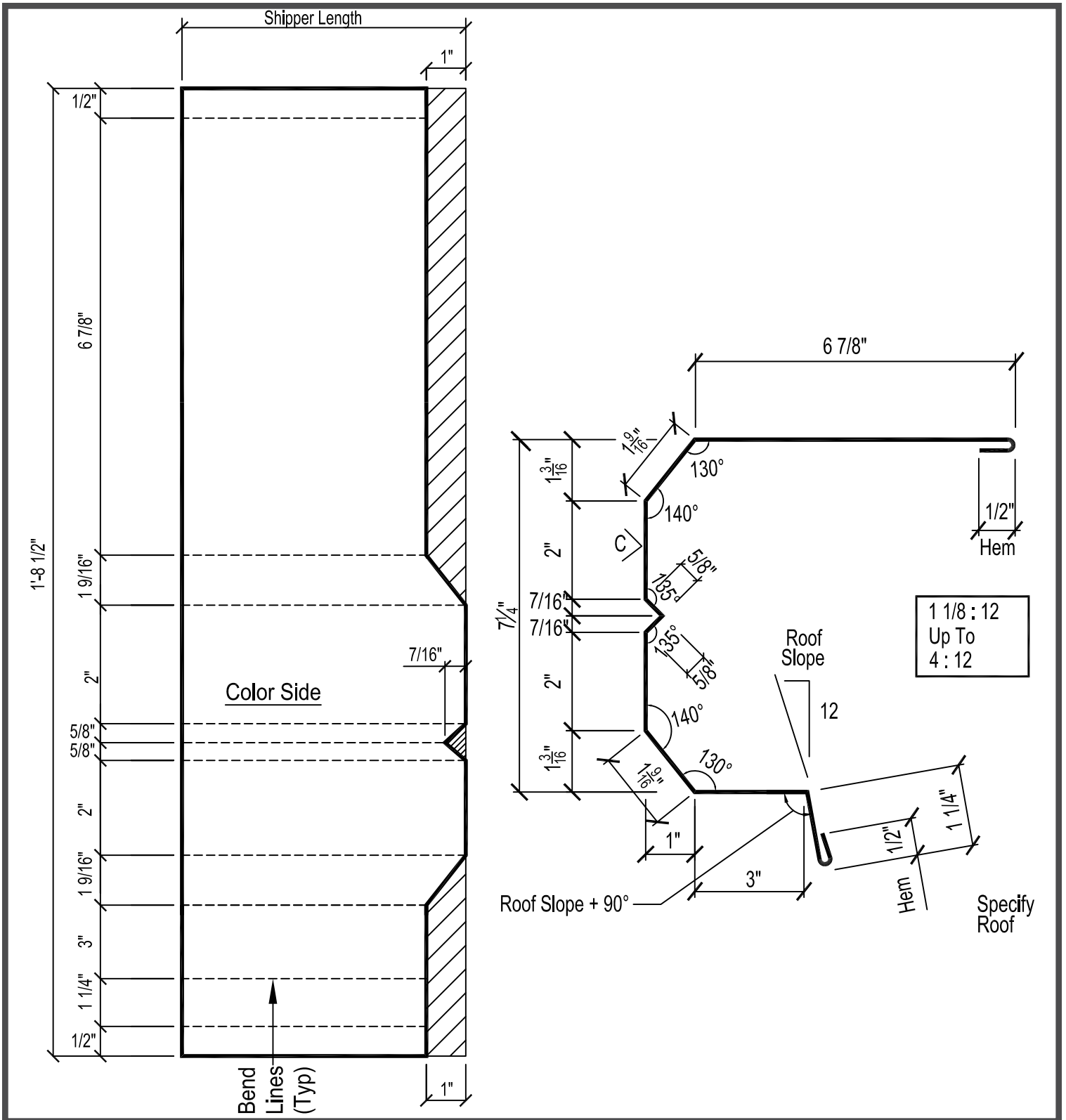
FL-188

HIGH SIDE EAVE TRIM ("PBR" PANEL)



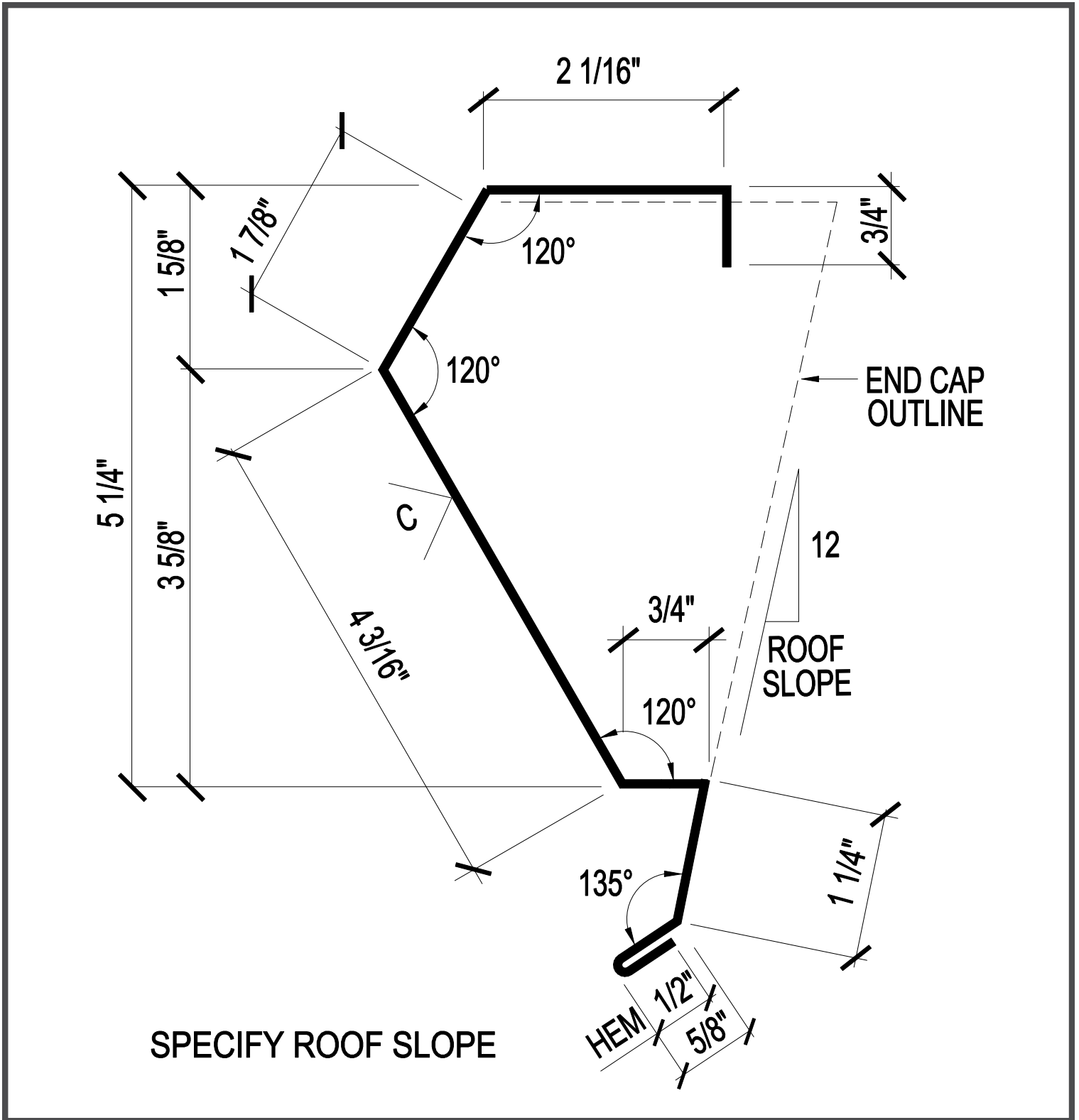
FL-188 R
 FL-188 L

HIGH SIDE EAVE TRIM ("PBR" PANEL)



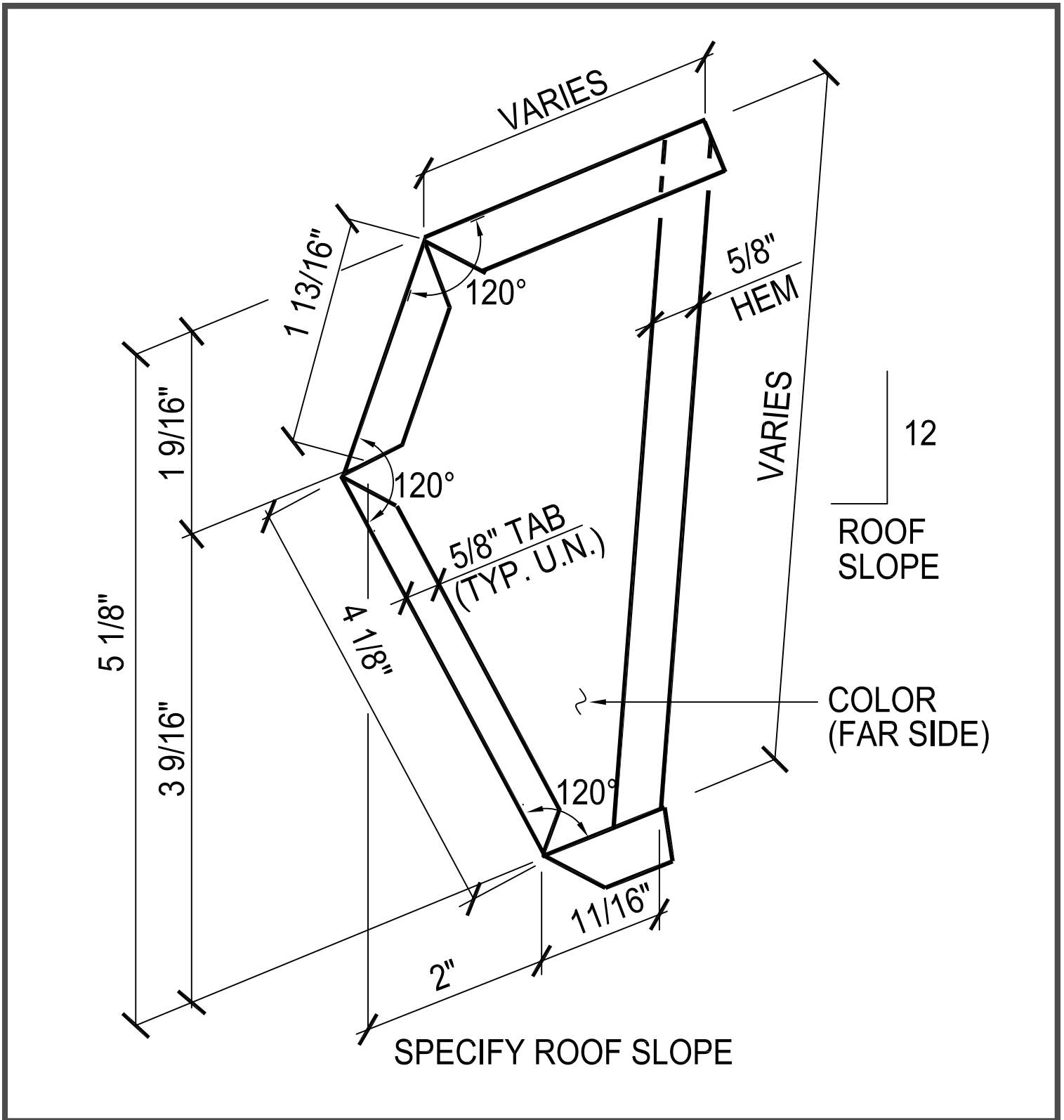
FL-190

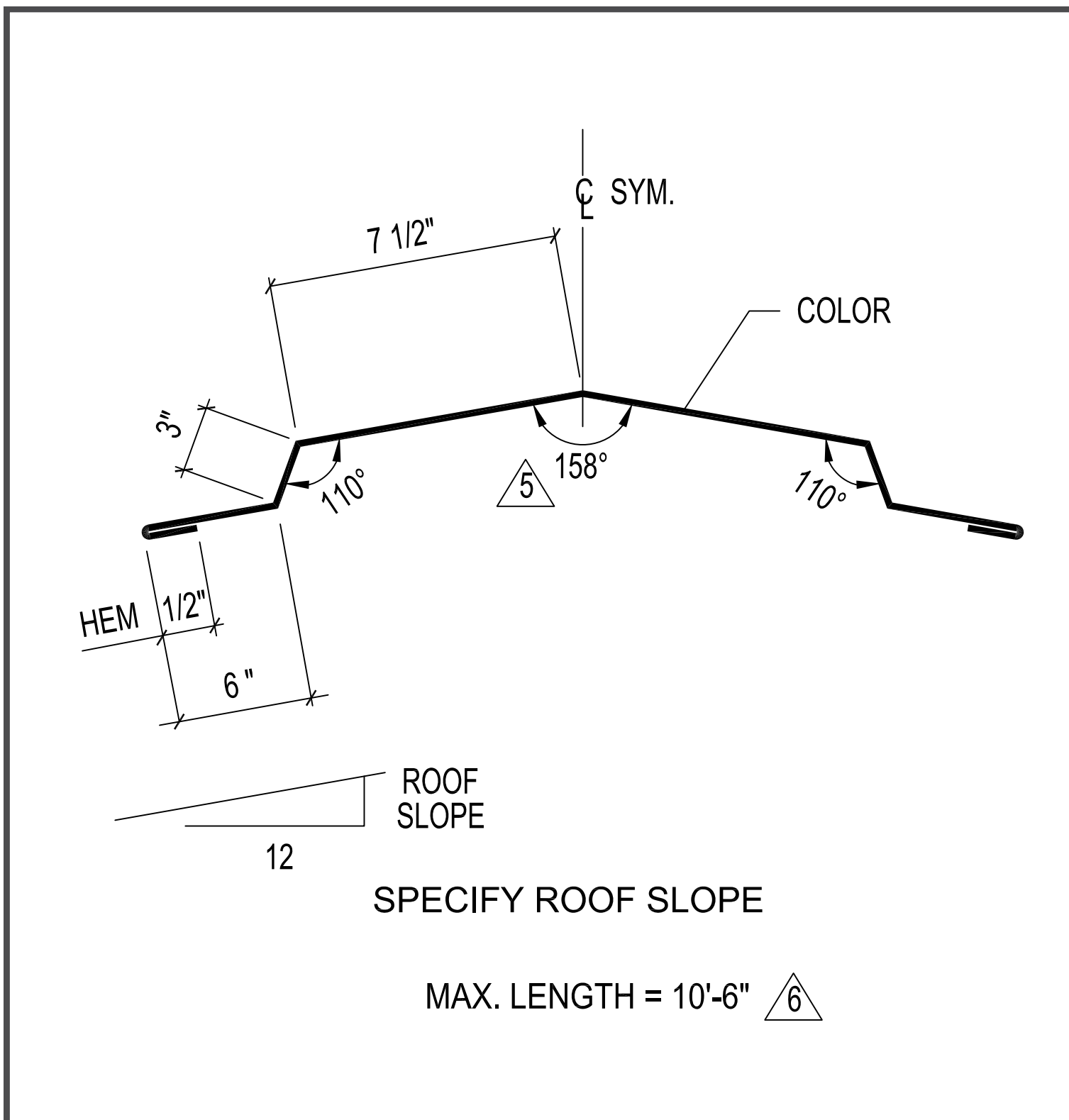
SCULPTURED LOW SIDE EAVE TRIM
(VS-216)



FL-191 L
FL-191 R

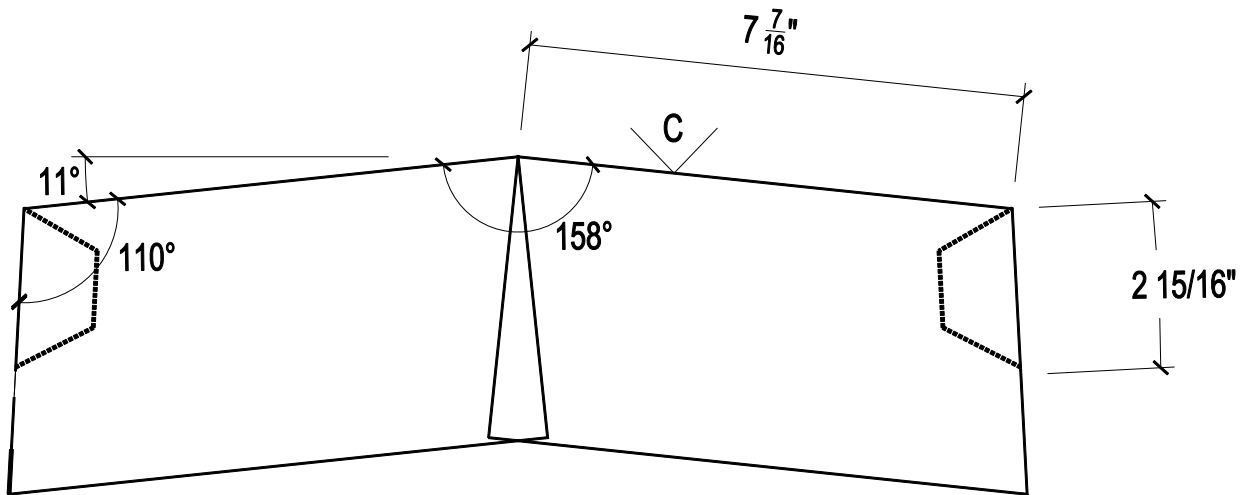
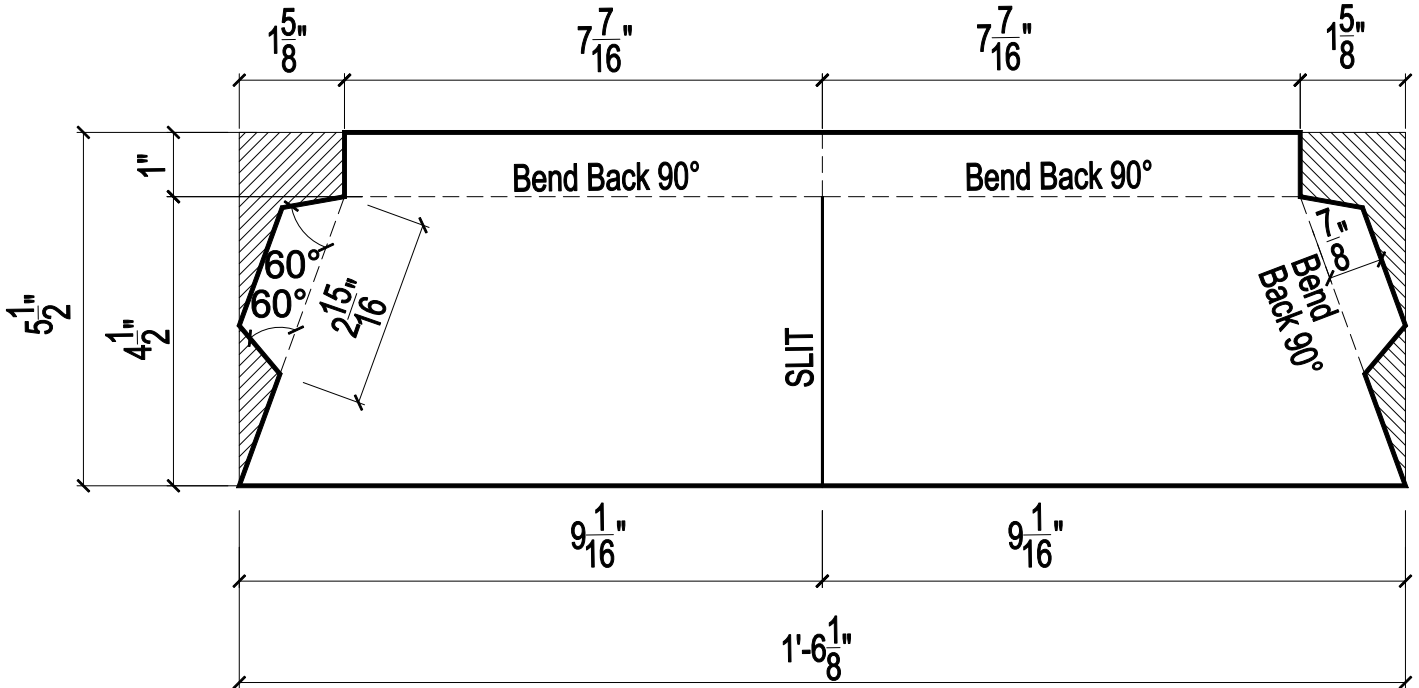
LOW SIDE END CAP
(VS-216)



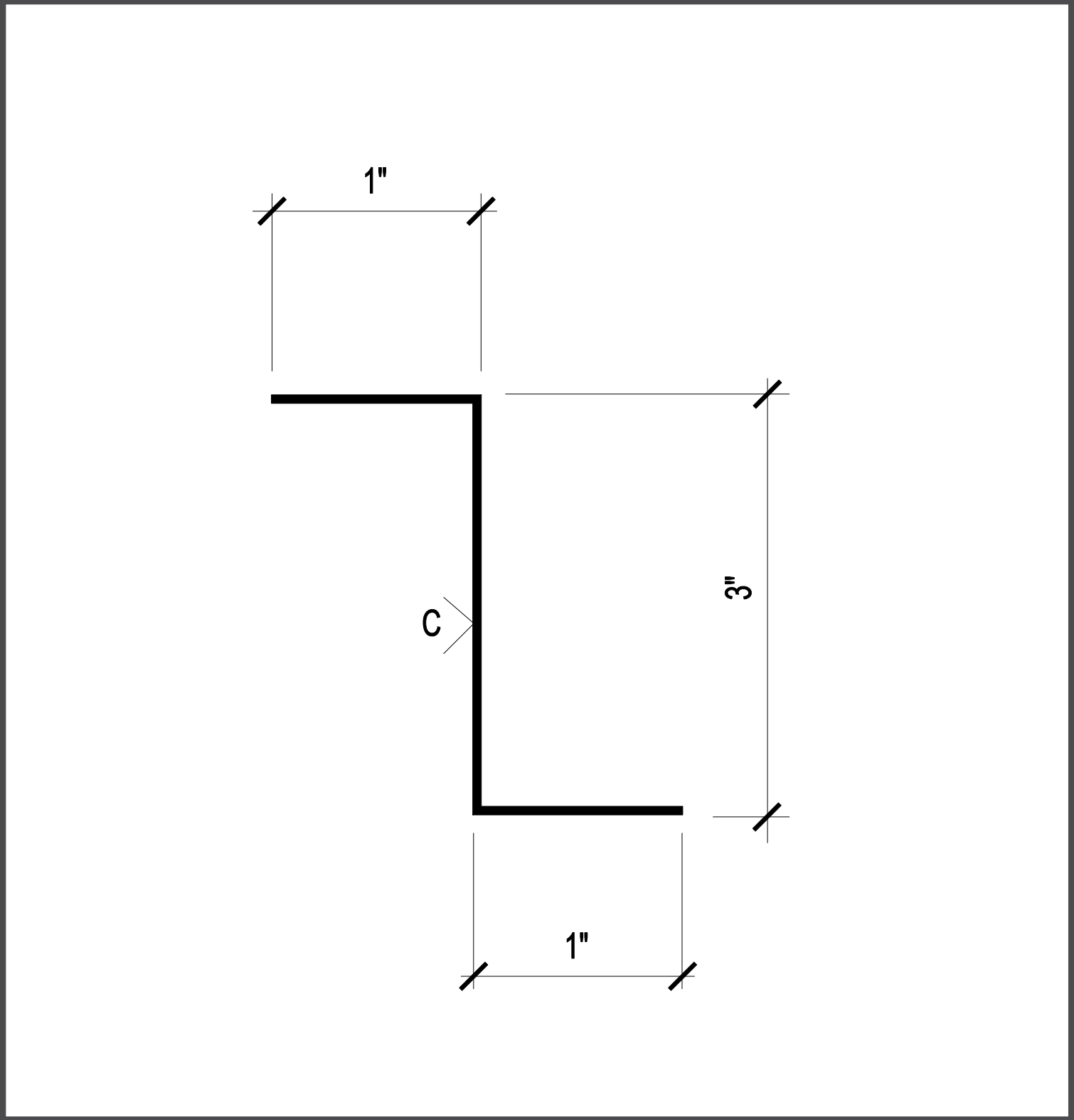


FL-201

RIDGE END CAP
("TS-324" & "VS-216" PANEL)

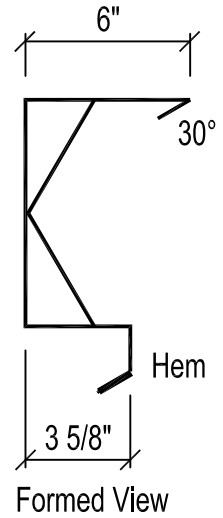
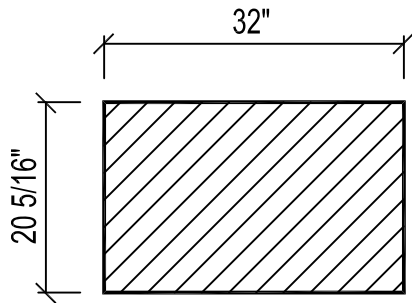


FRONT VIEW

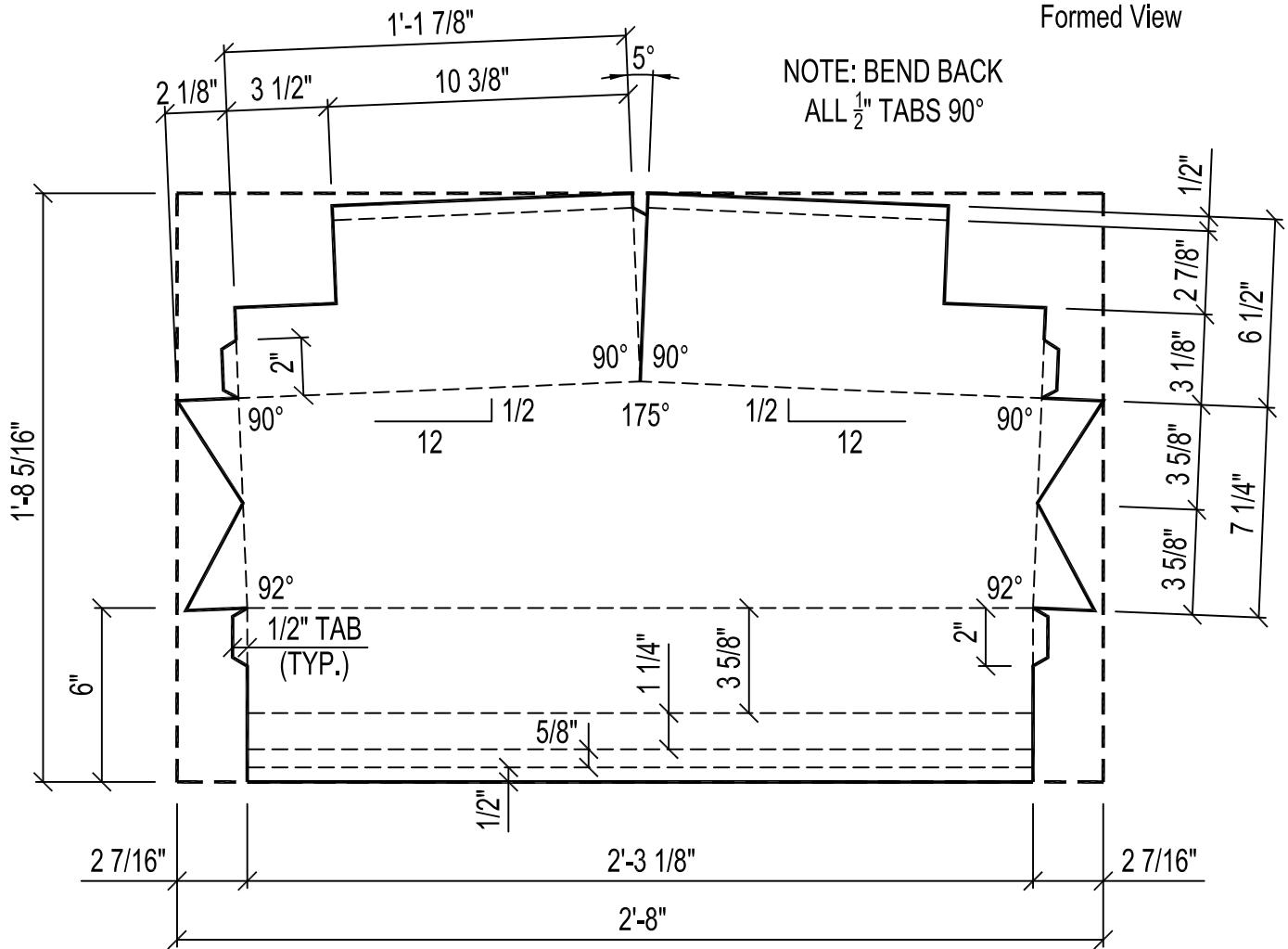


FL-203A

PEAK BOX TS-324 & VS-216 ROOF
(1/2:12 ROOF SLOPE)

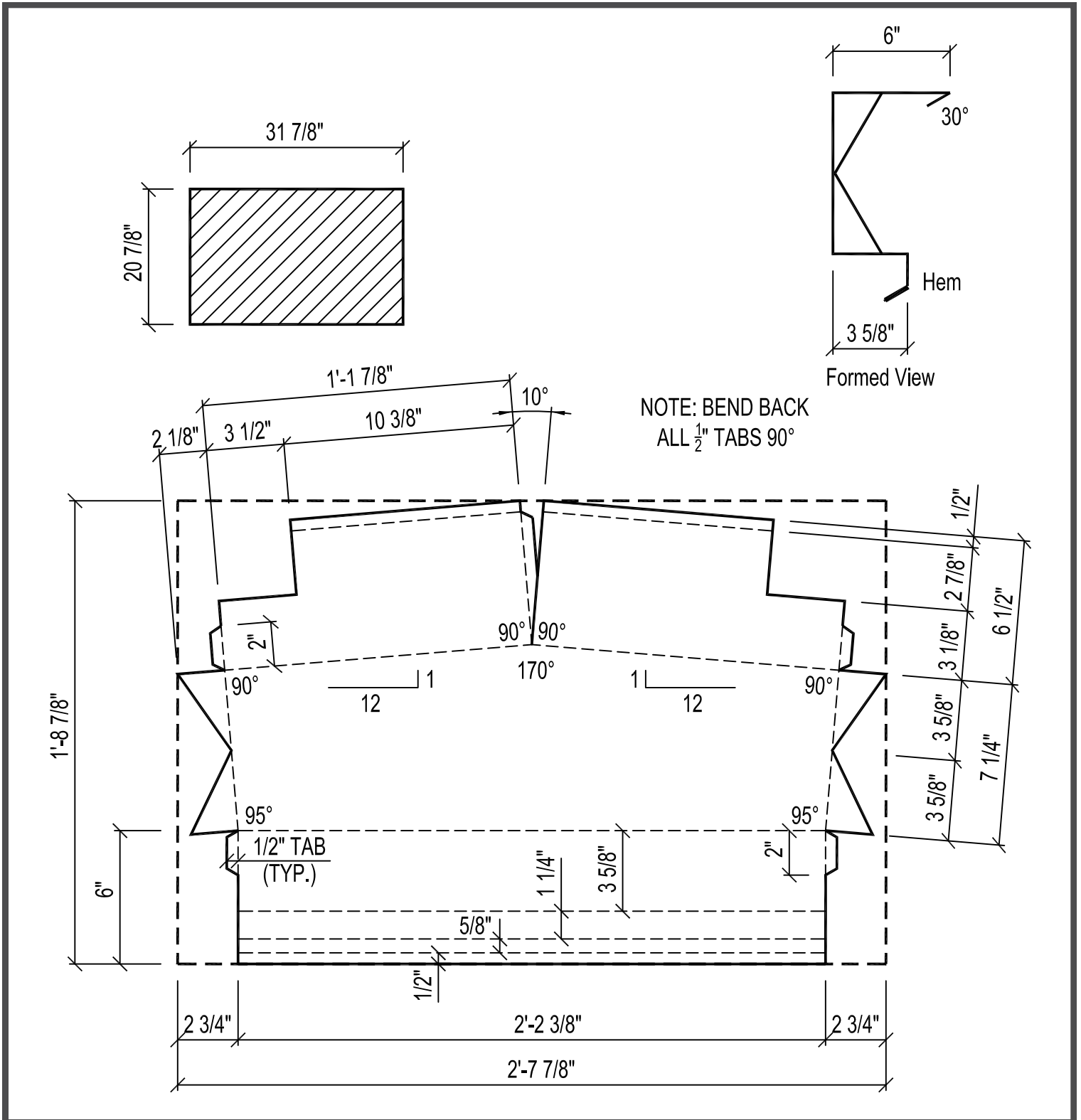


NOTE: BEND BACK
ALL 1/2" TABS 90°



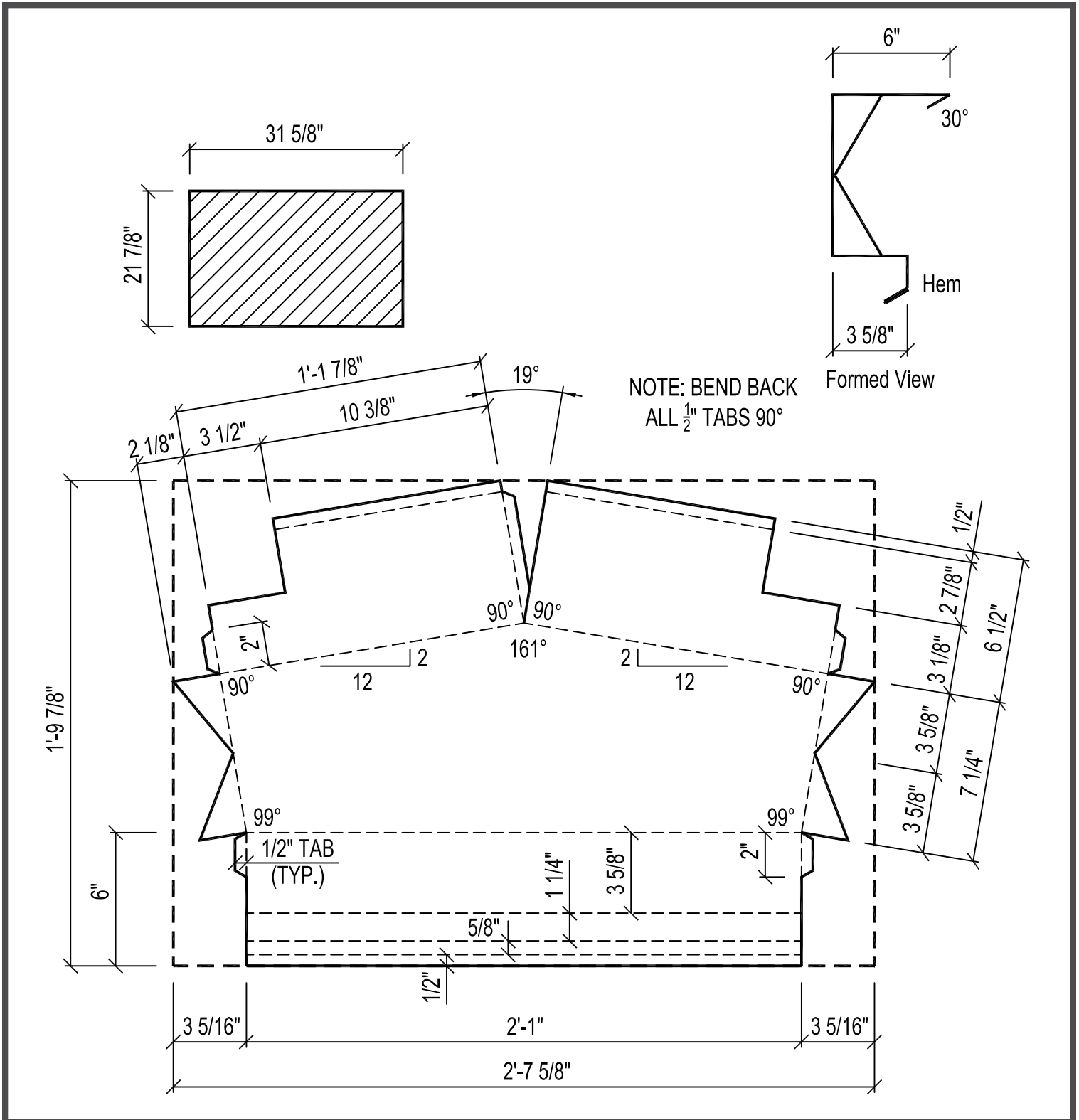
FL-203B

PEAK BOX TS-324 & VS-216 ROOF
(1:12 ROOF SLOPE)



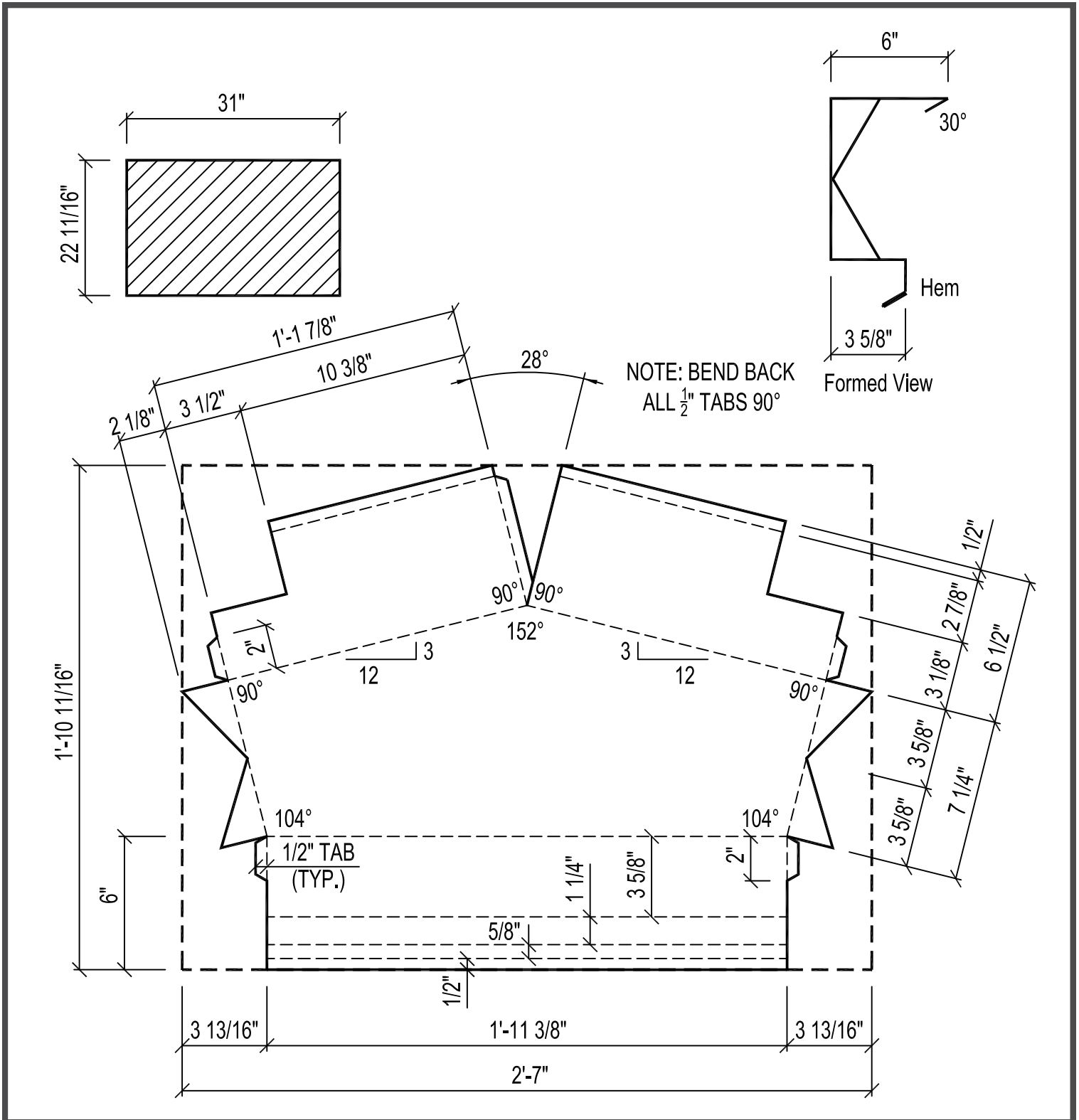
FL-203C

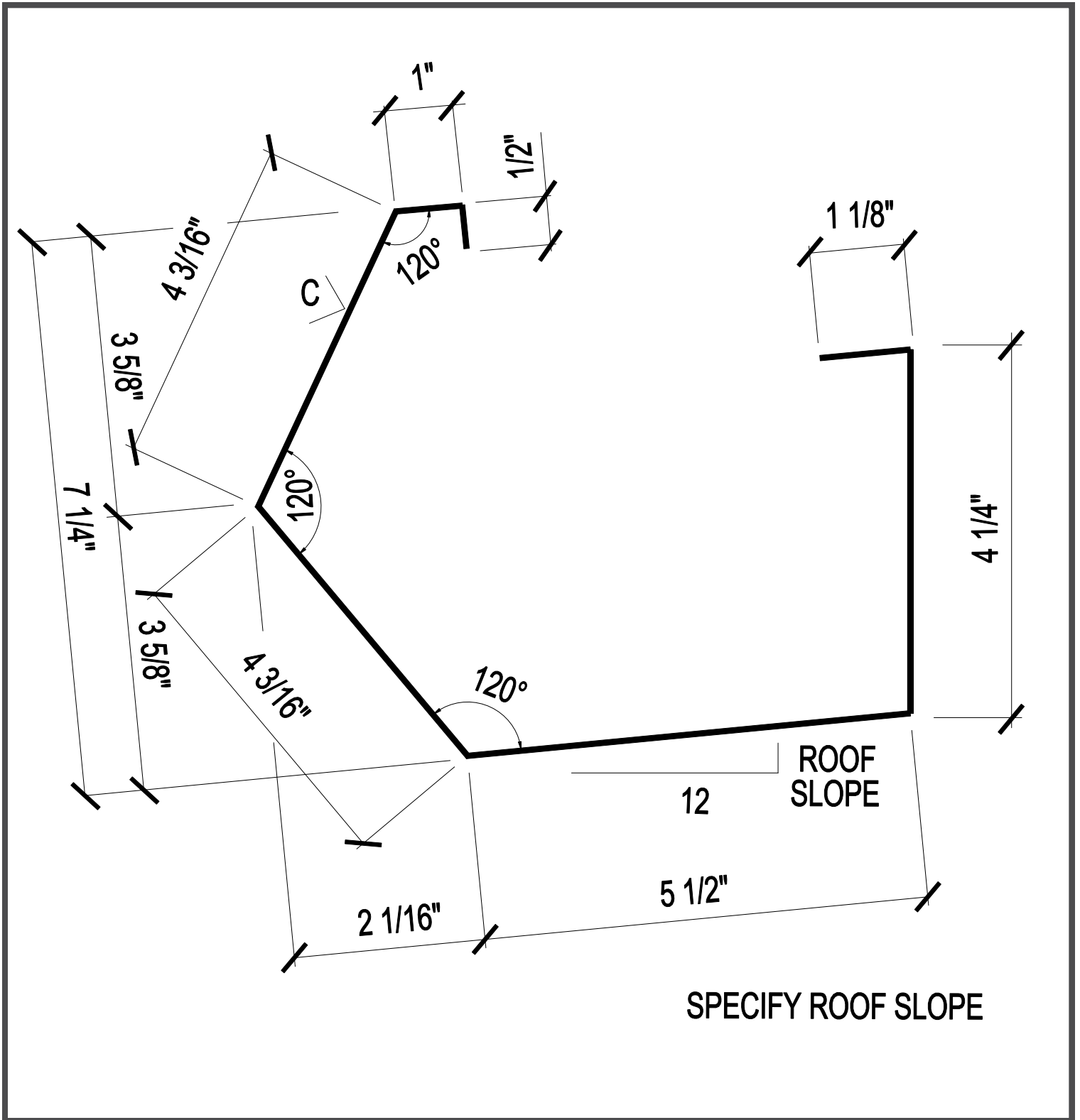
PEAK BOX TS-324 & VS-216 ROOF
(2:12 ROOF SLOPE)



FL-203D

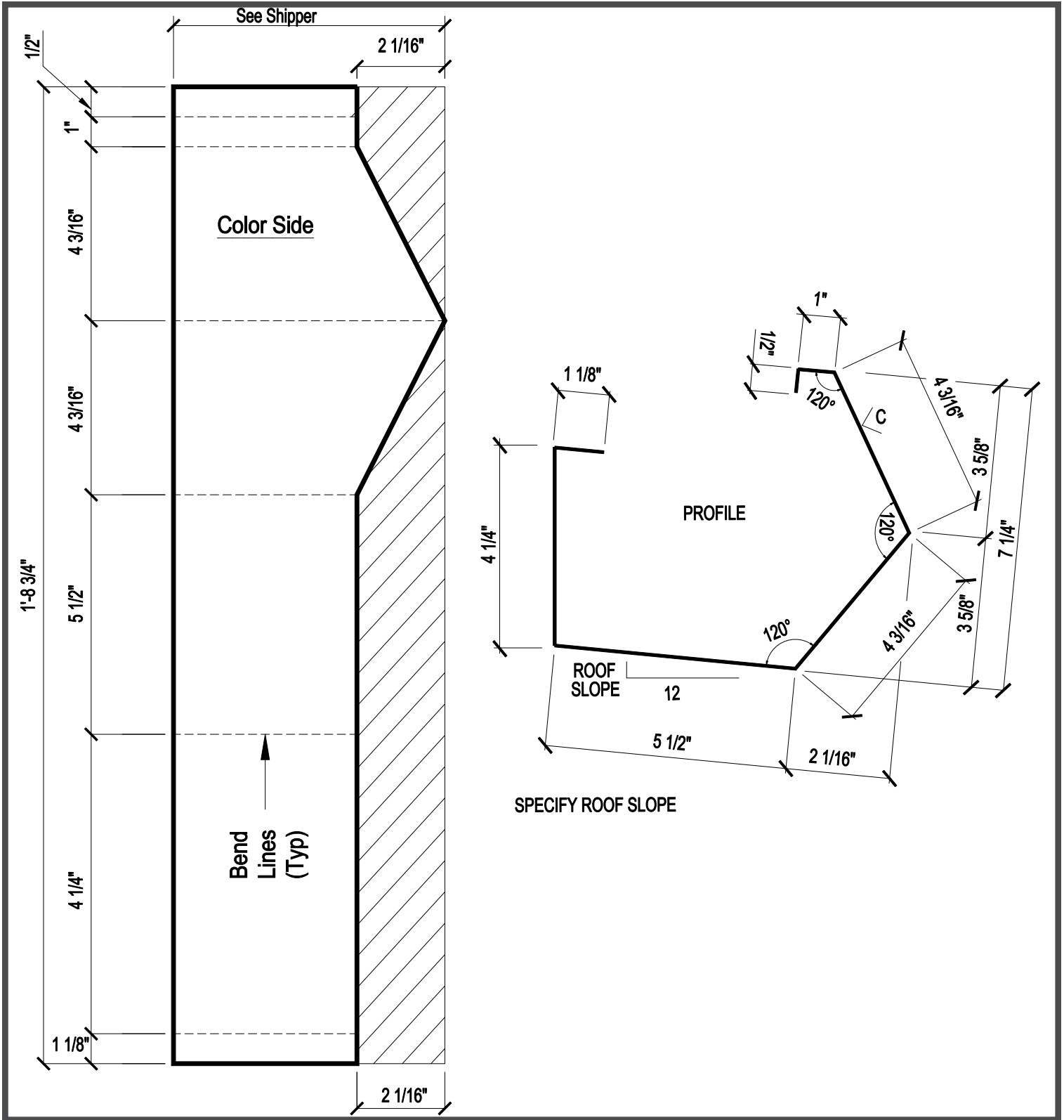
PEAK BOX TS-324 & VS-216 ROOF
(3:12 ROOF SLOPE)

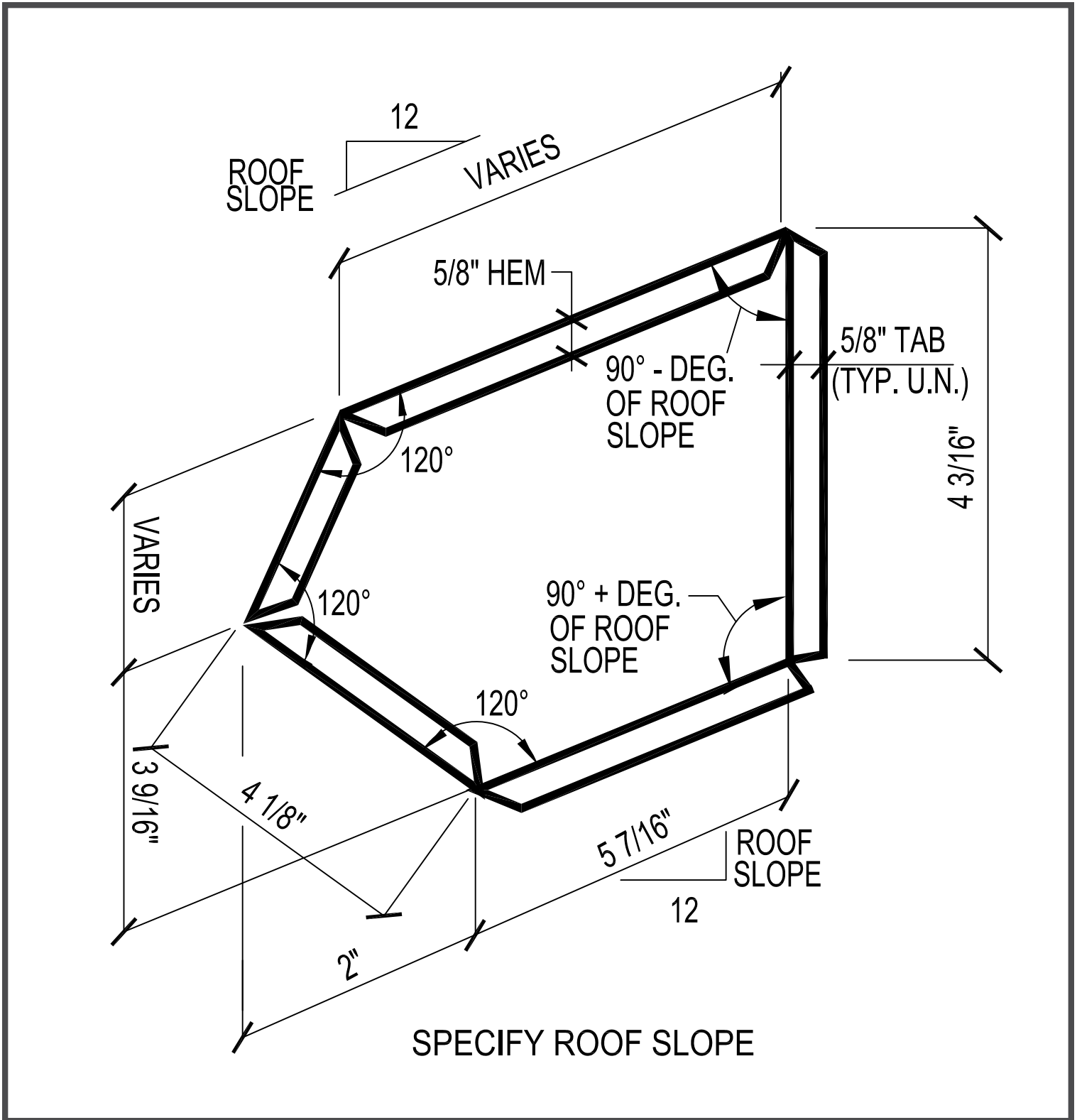


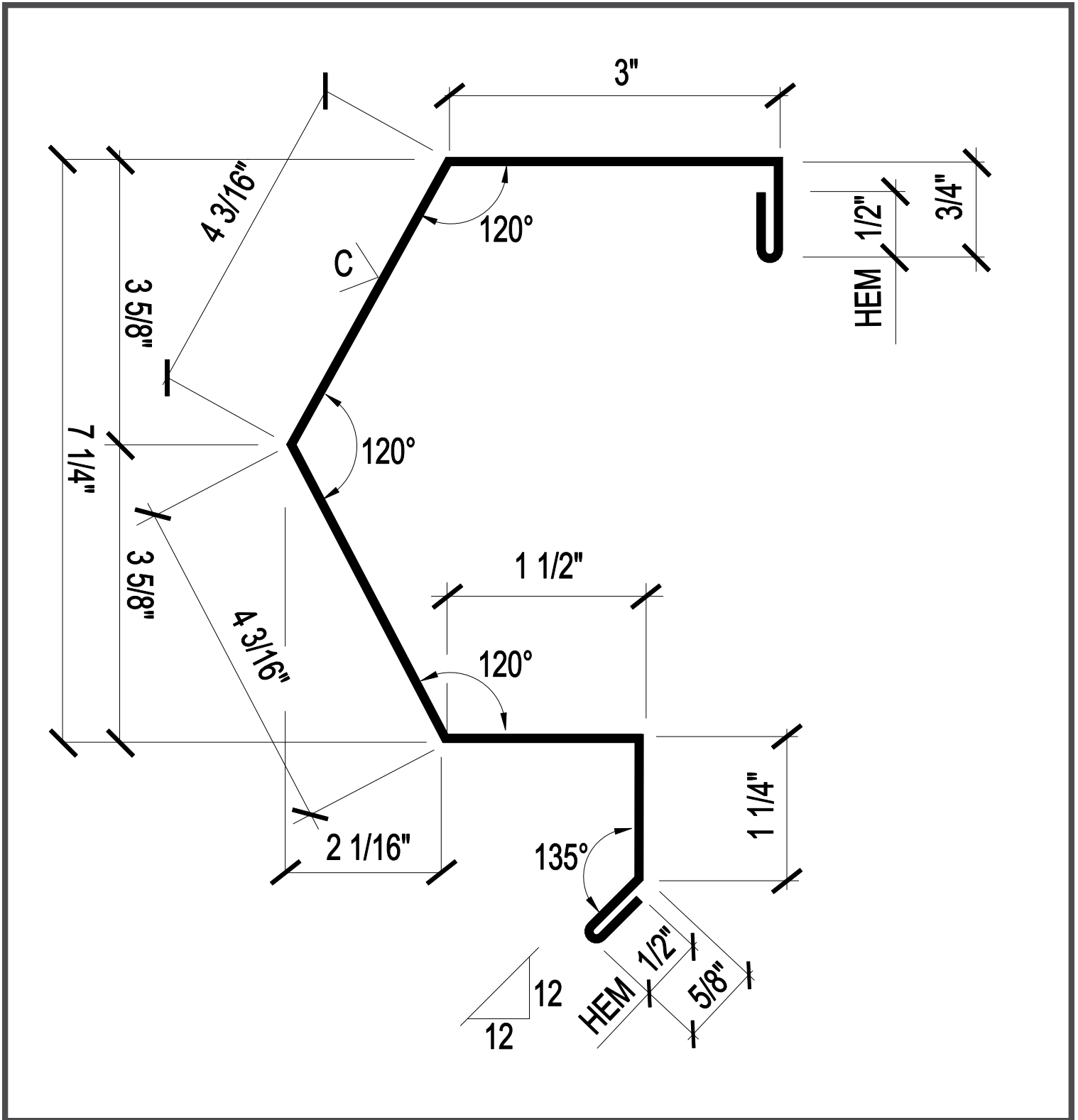


FL-204 R
FL-204 L

SCULPTURED HANG-ON GUTTER

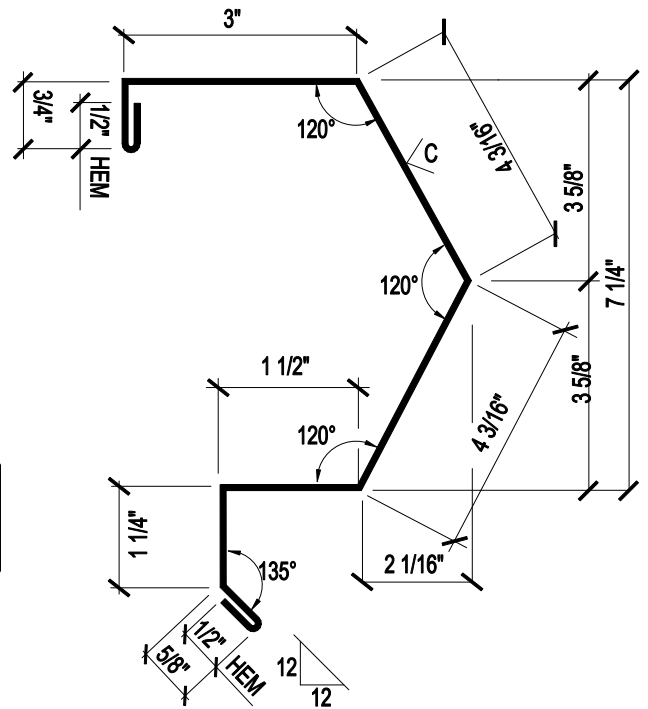
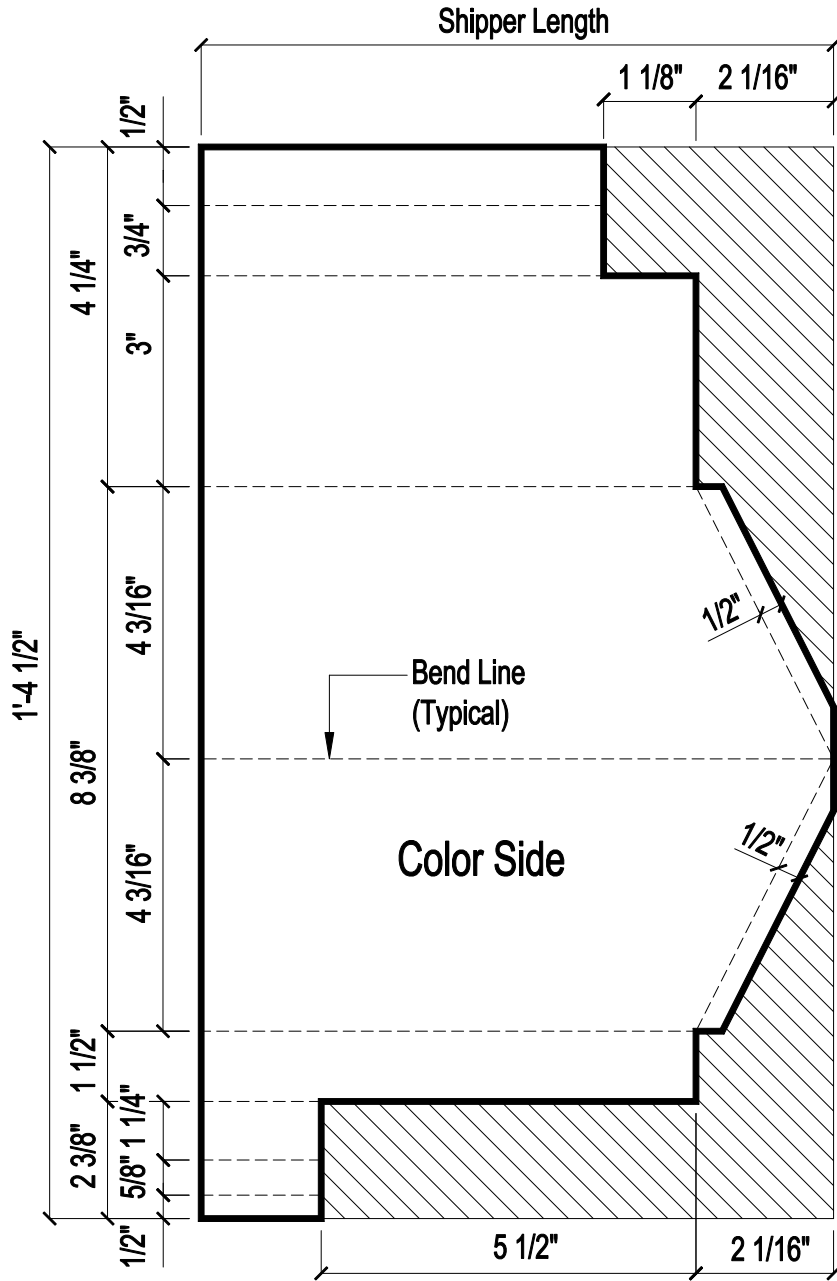




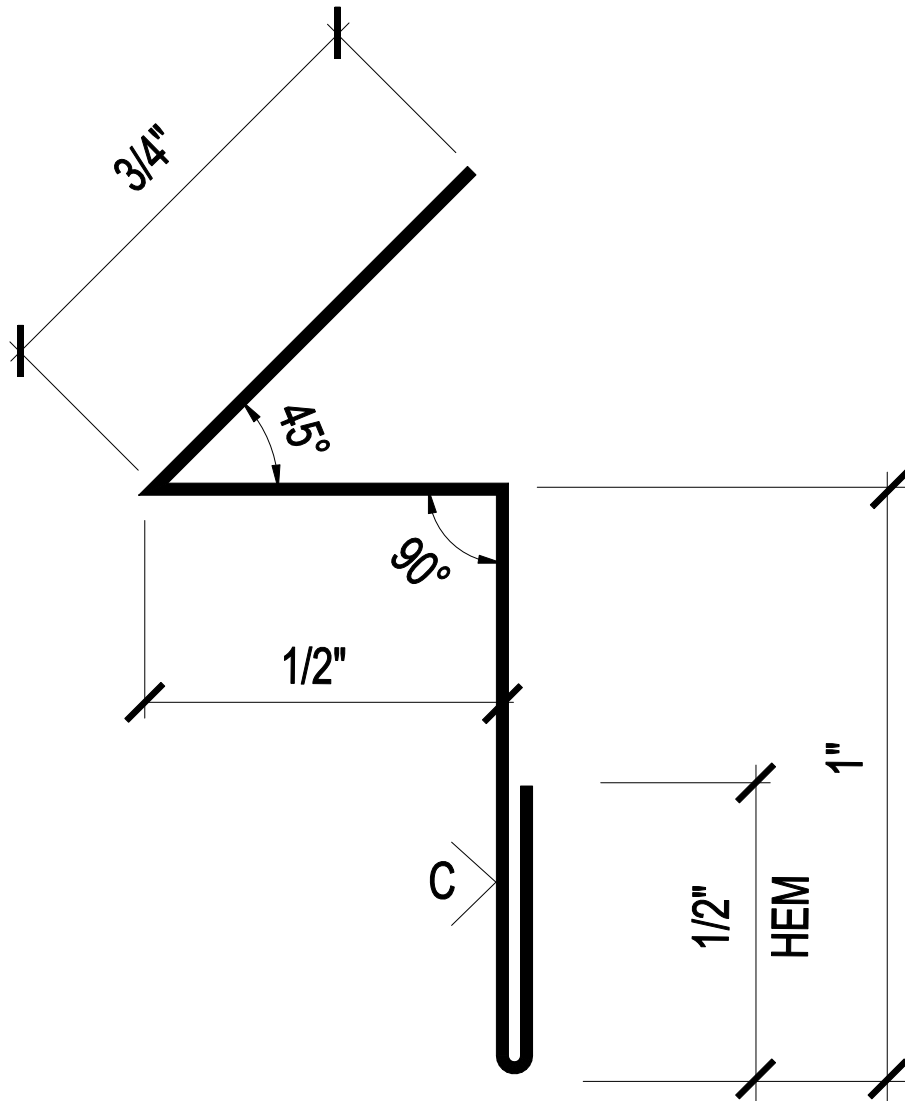


FL-206 R
 FL-206 L

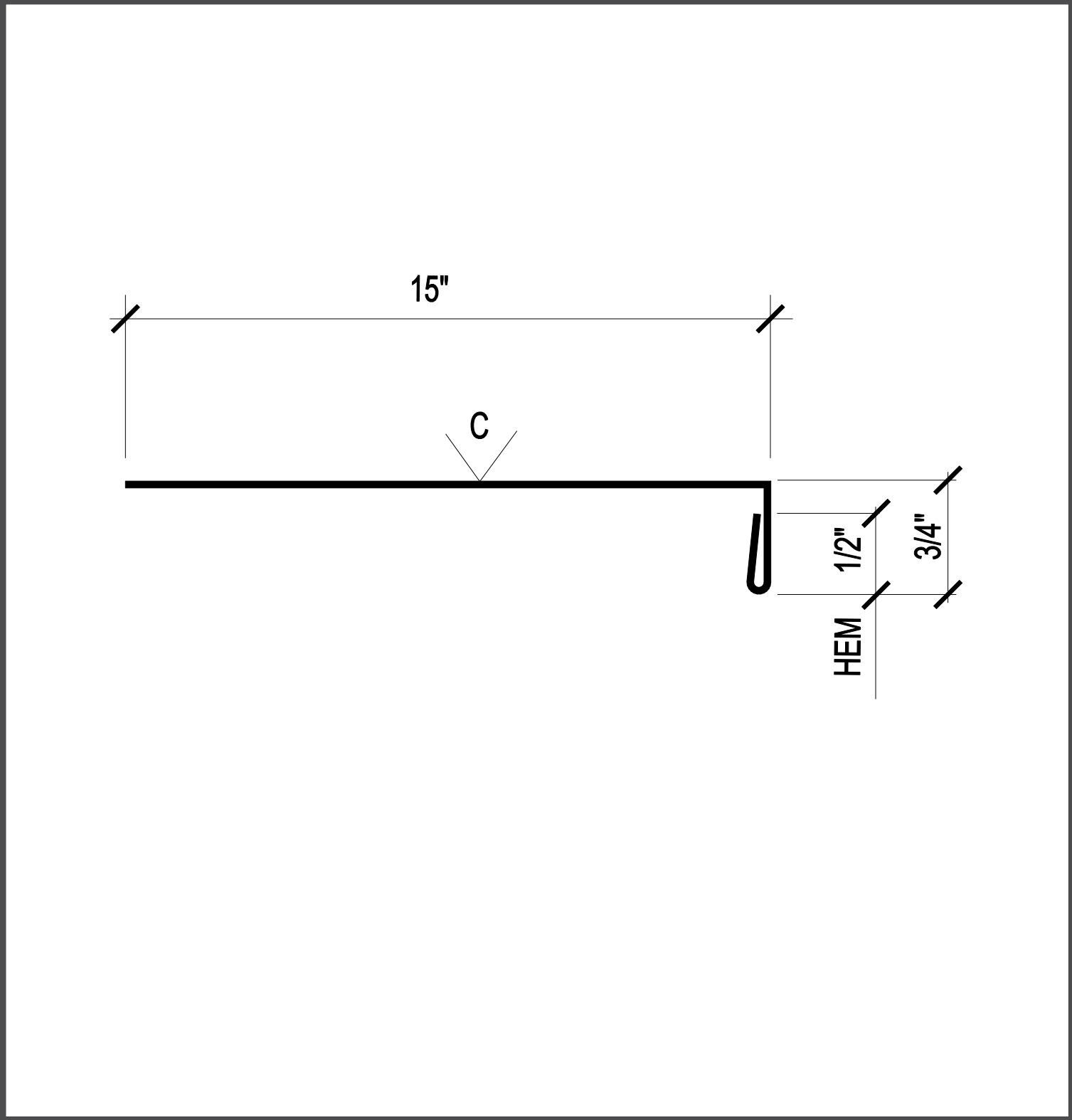
MITERED RAKE TRIM
 (SCULPTURED RAKE TRIM)



Formed View

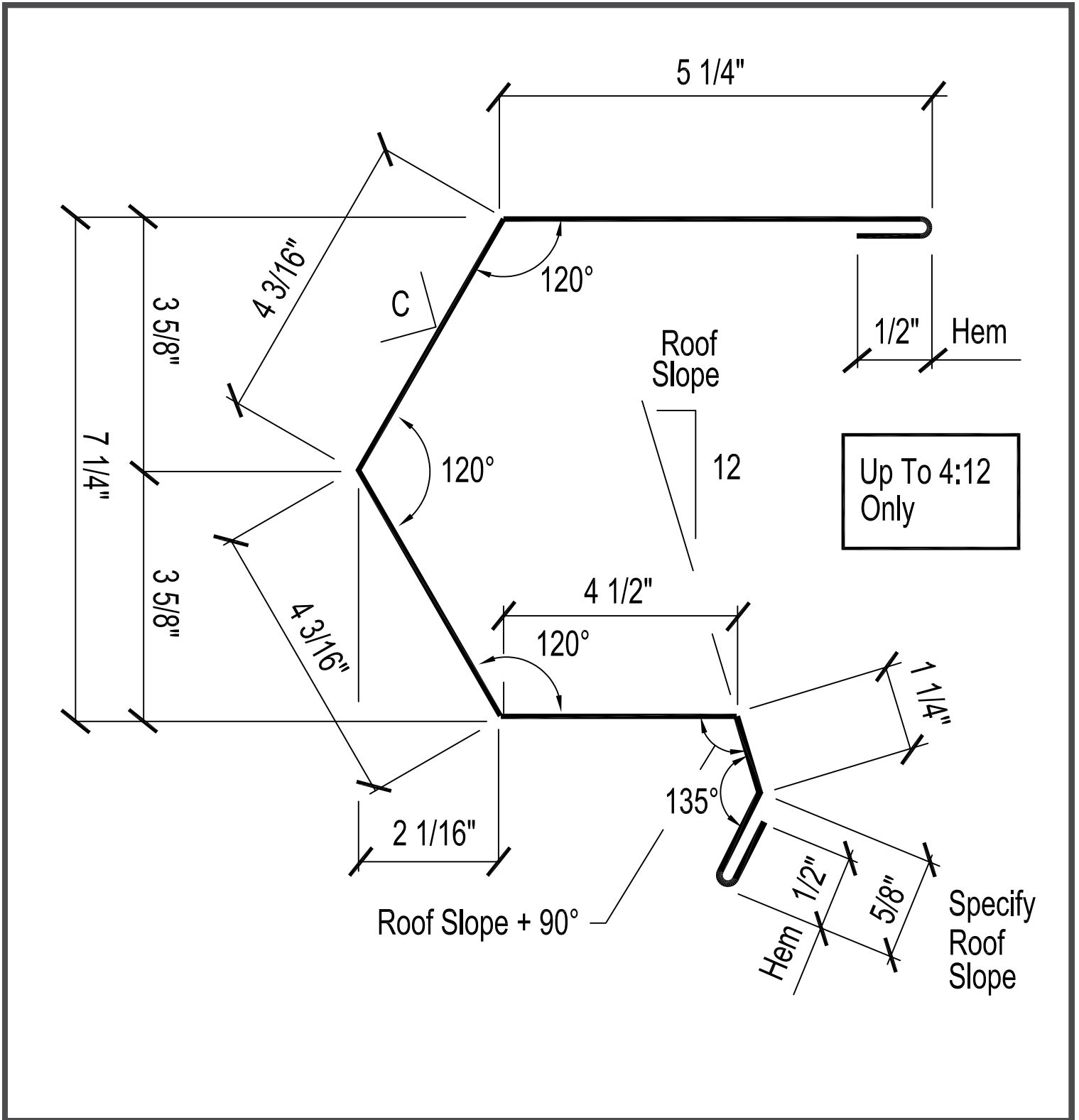


MAX. LENGTH = 10'-2



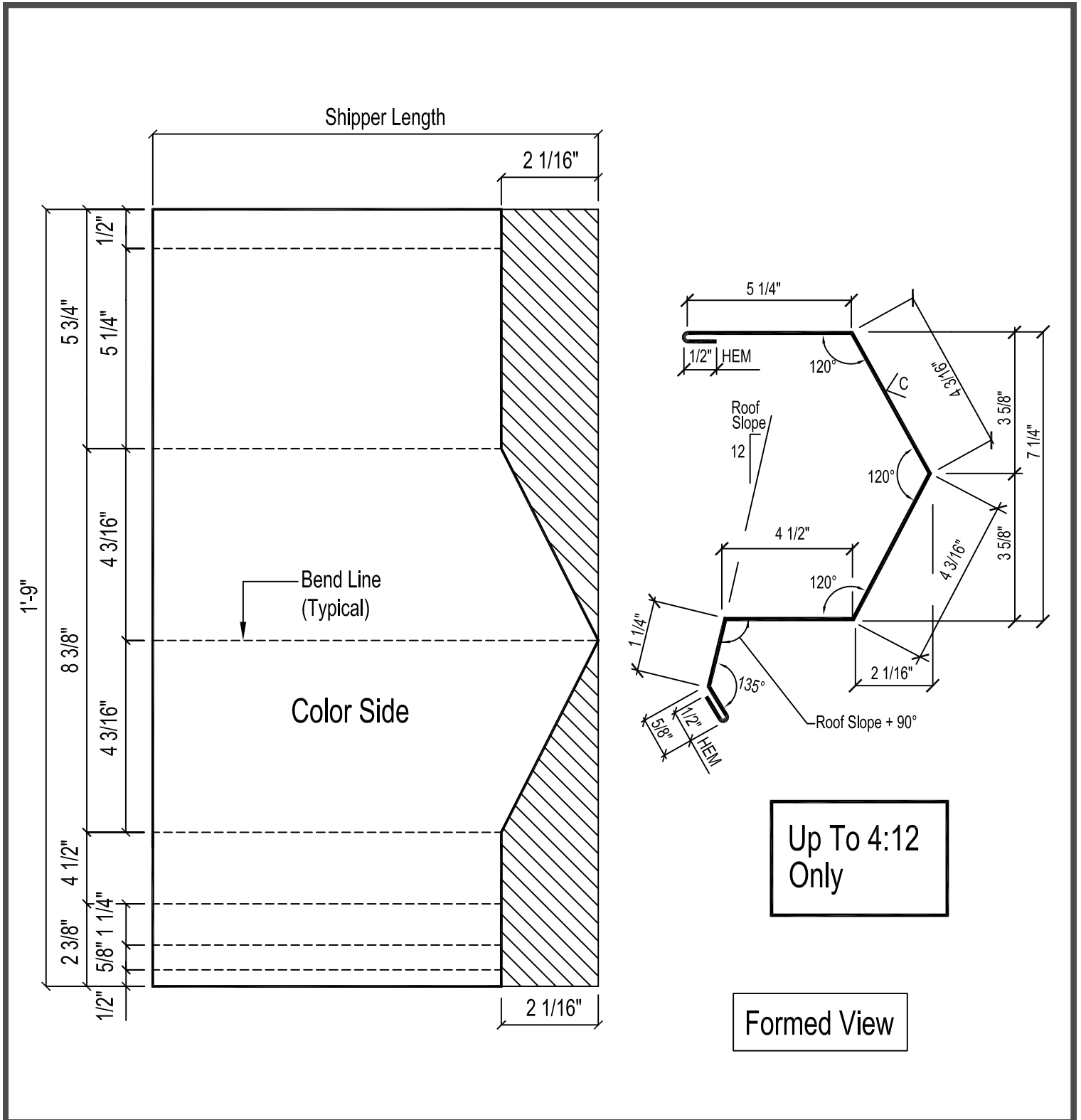
FL-209

SCULPTURED HIGH SIDE EAVE TRIM
(MID-WEST)(STANDING SEAM PANEL)



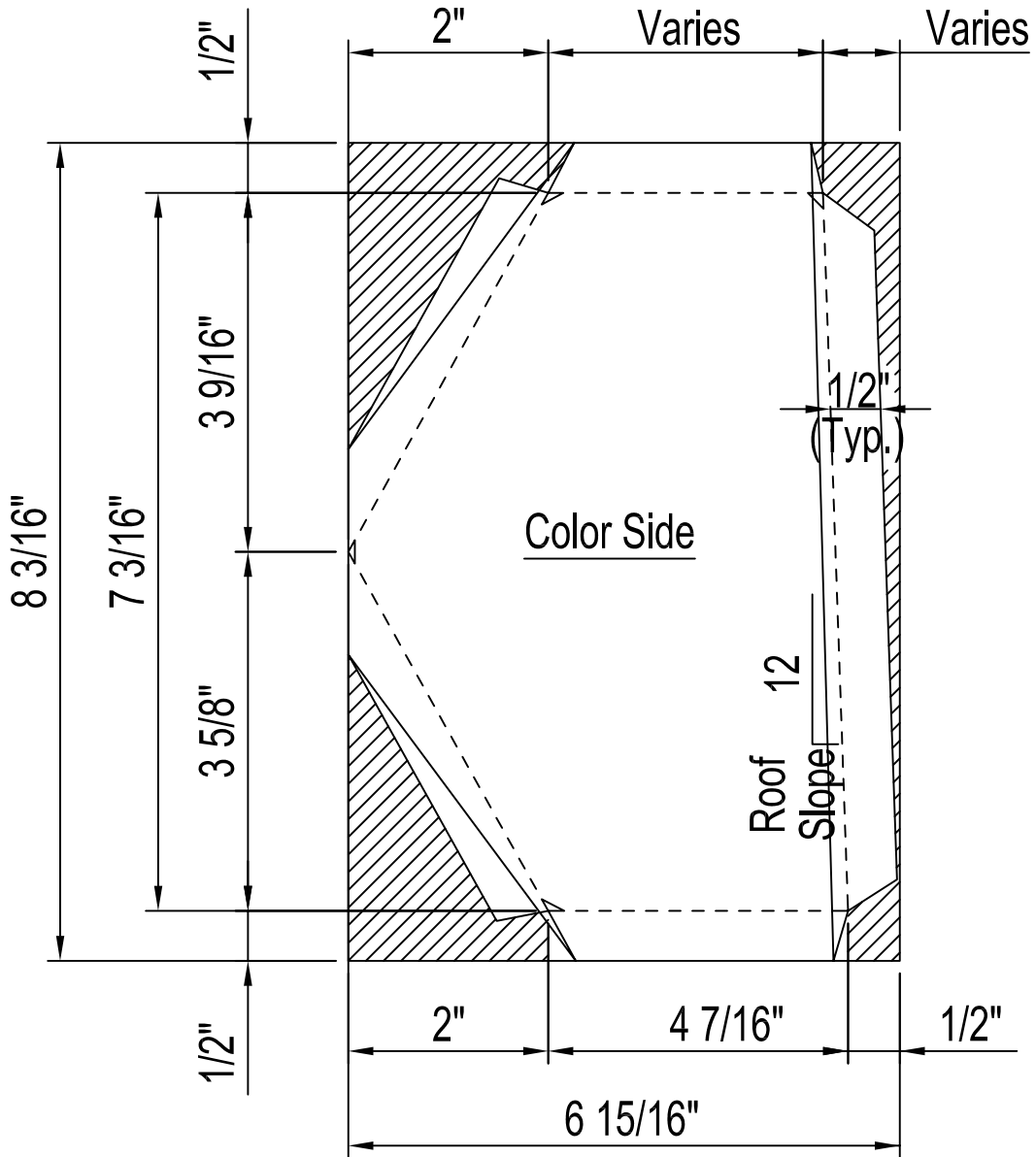
FL-20 R
FL-20 L

S ULPTURED HIGH SIDE EAVE TRIM (STANDING SEAM PANEL)



FL-210 R
FL-210 L

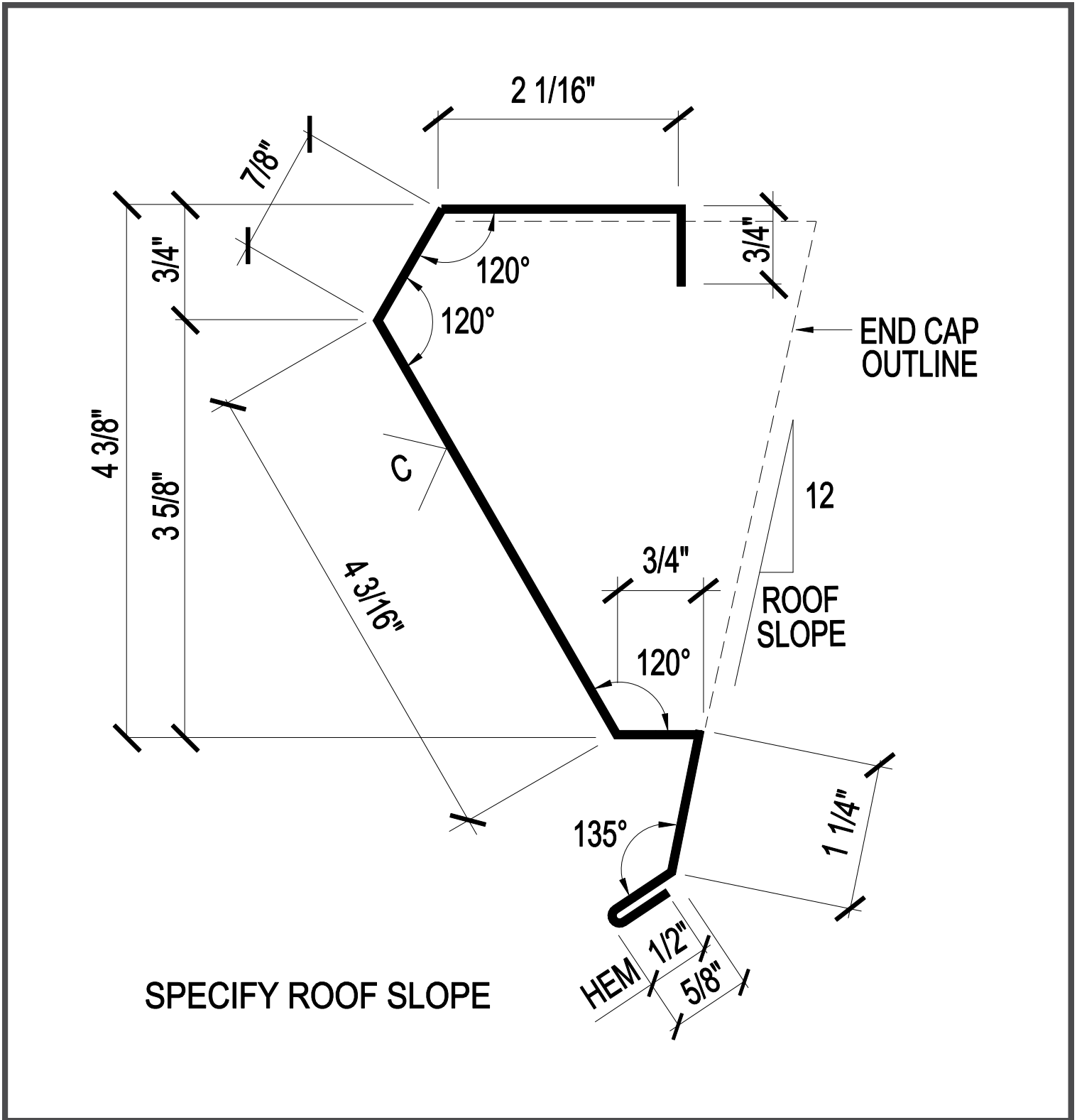
HIGH SIDE END CAP



Specify Roof Slope

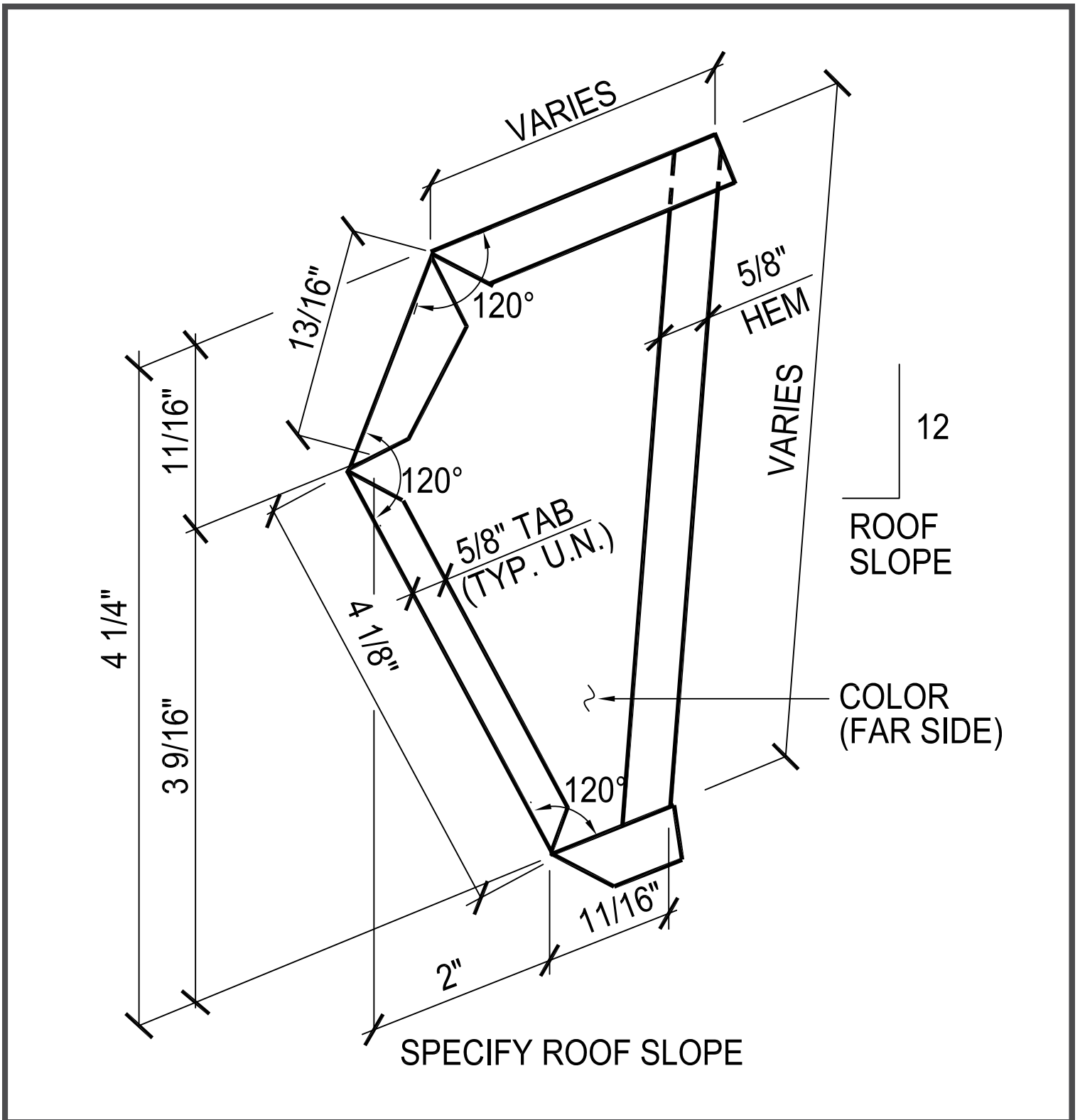
FL-211

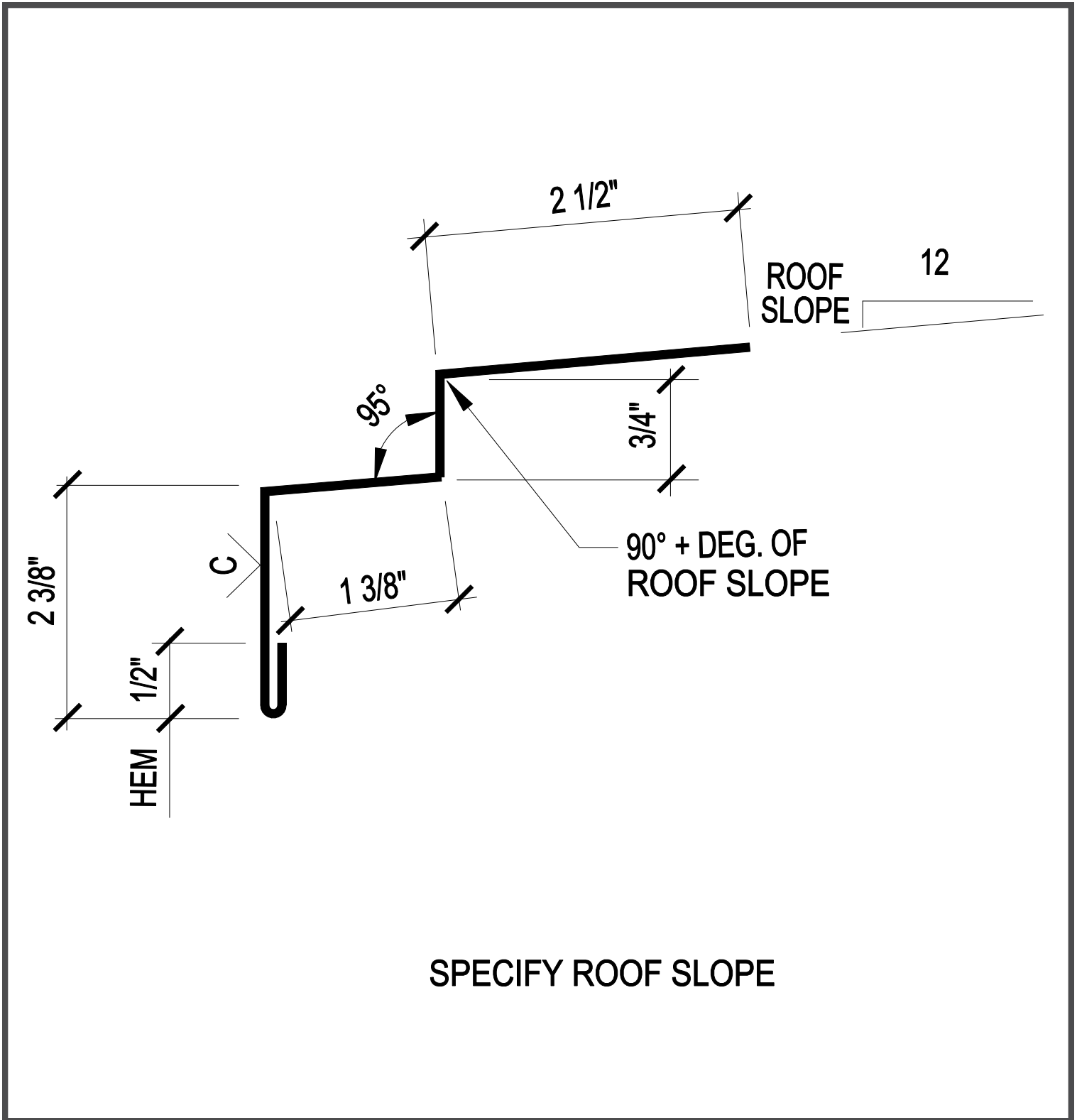
SCULPTURED LOW SIDE EAVE TRIM (TS-324)



FL-212

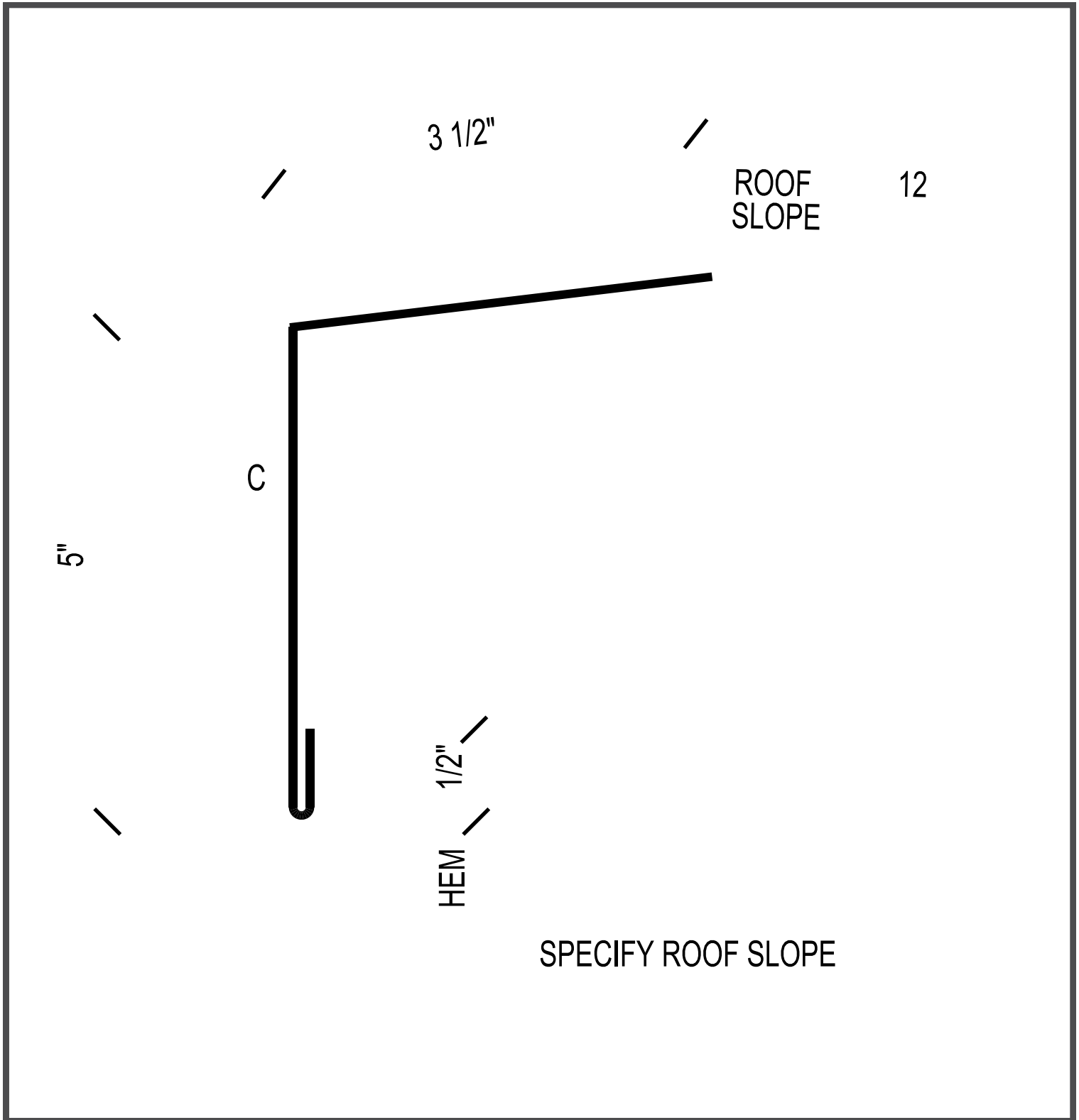
LOW SIDE END CAP
(TS-324)





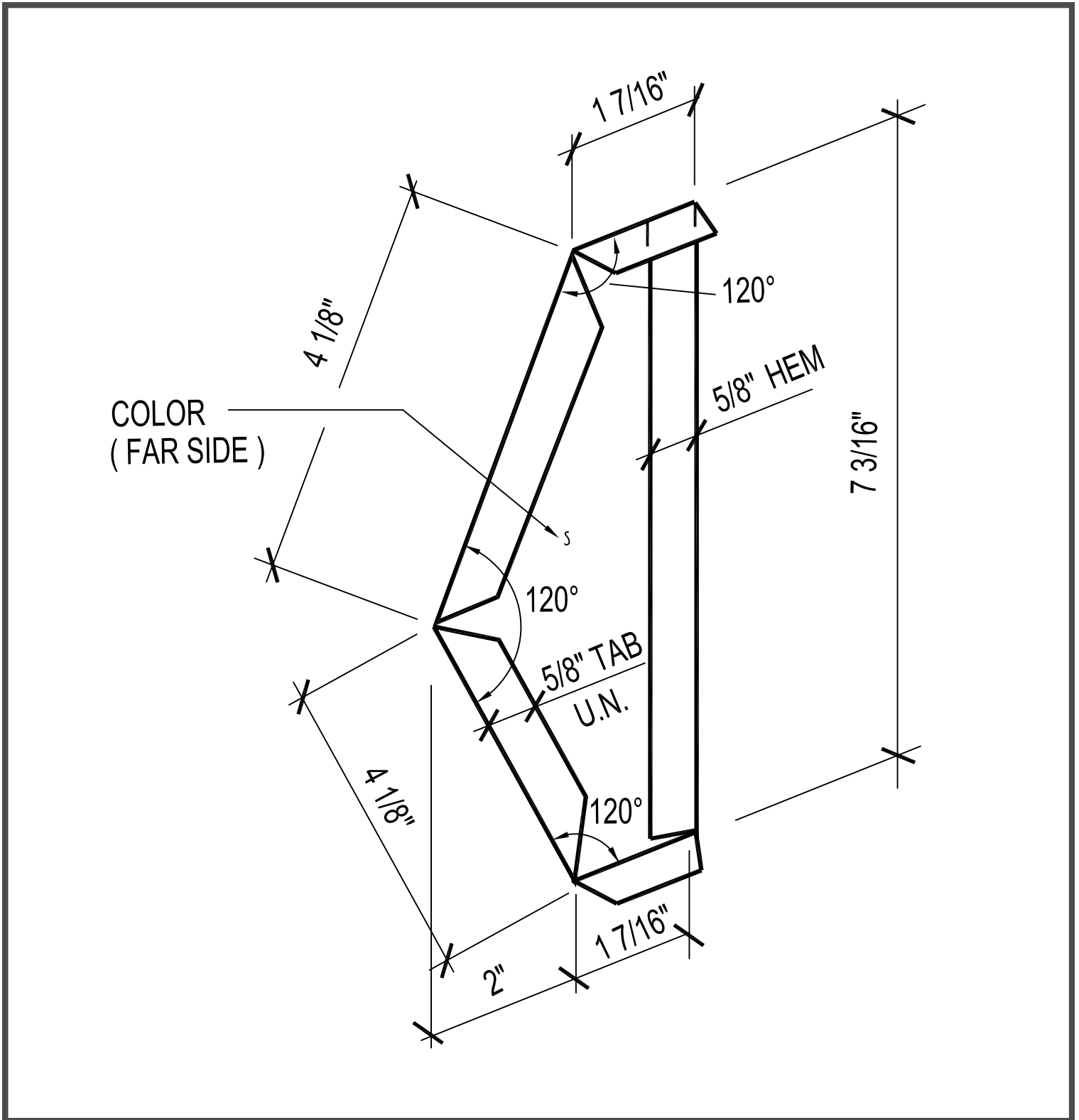
FL-214

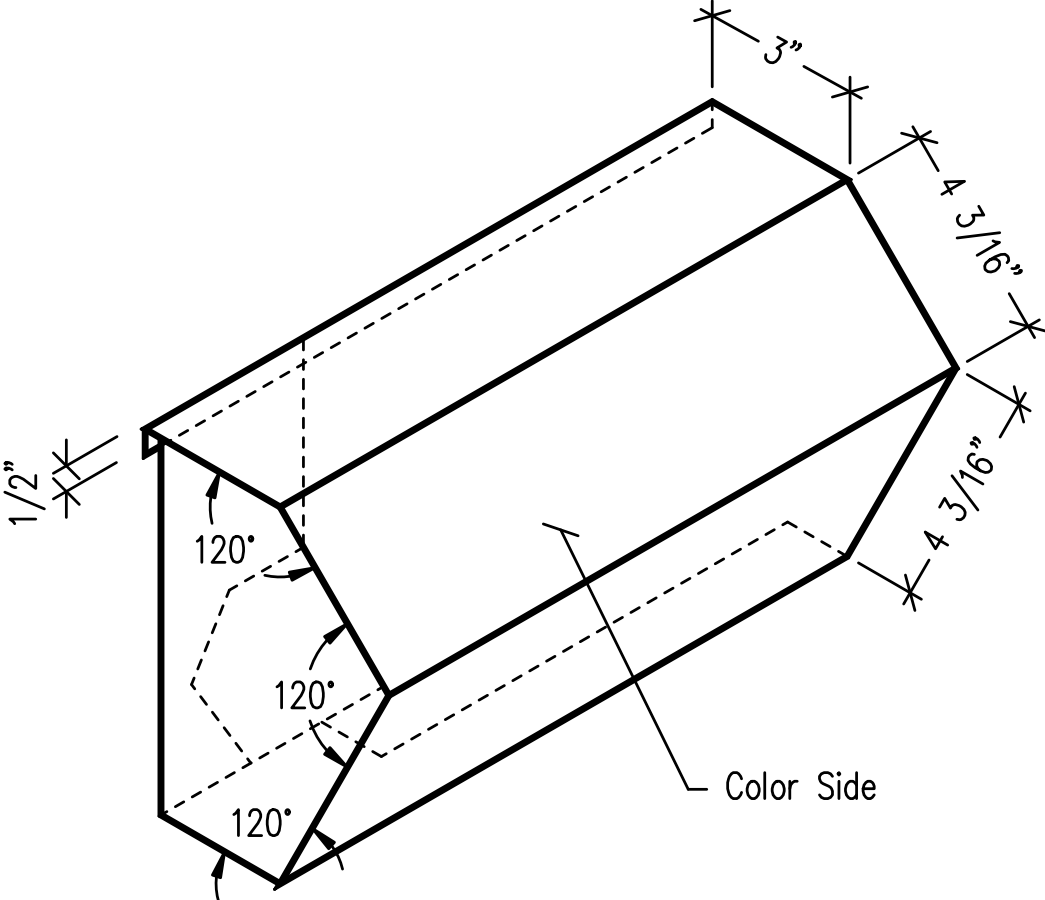
FLAT EAVE TRIM

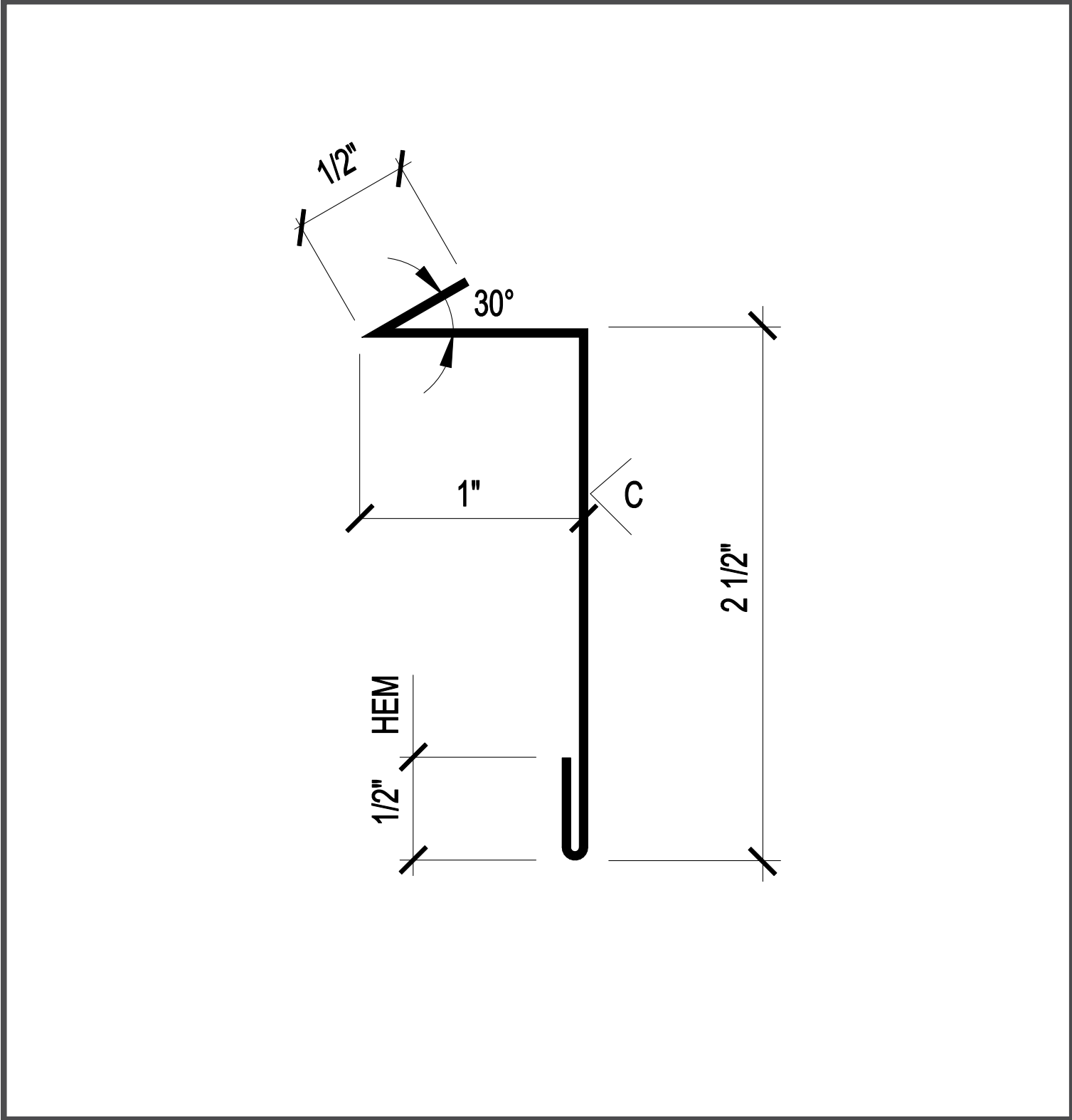


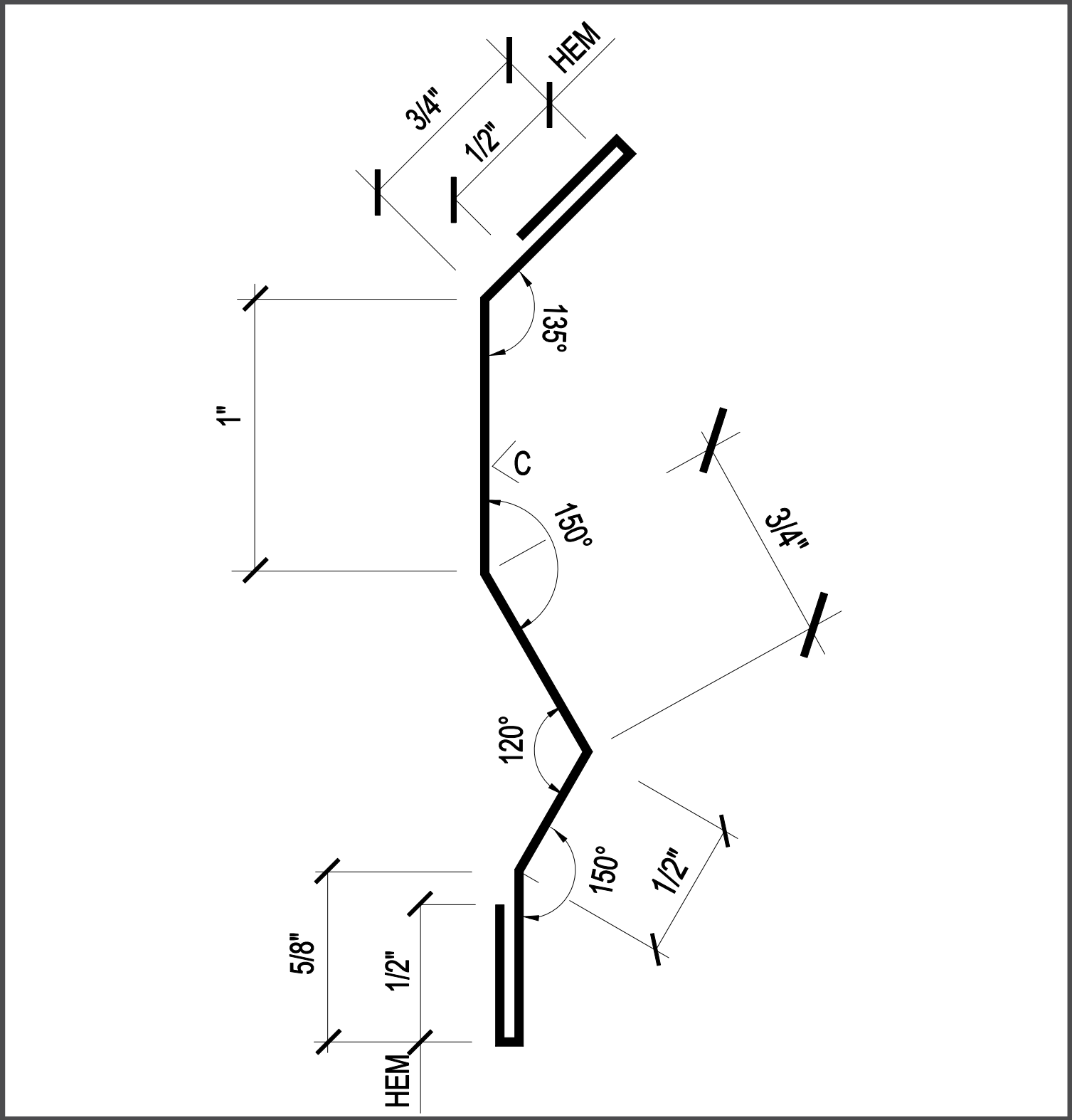
FL-215

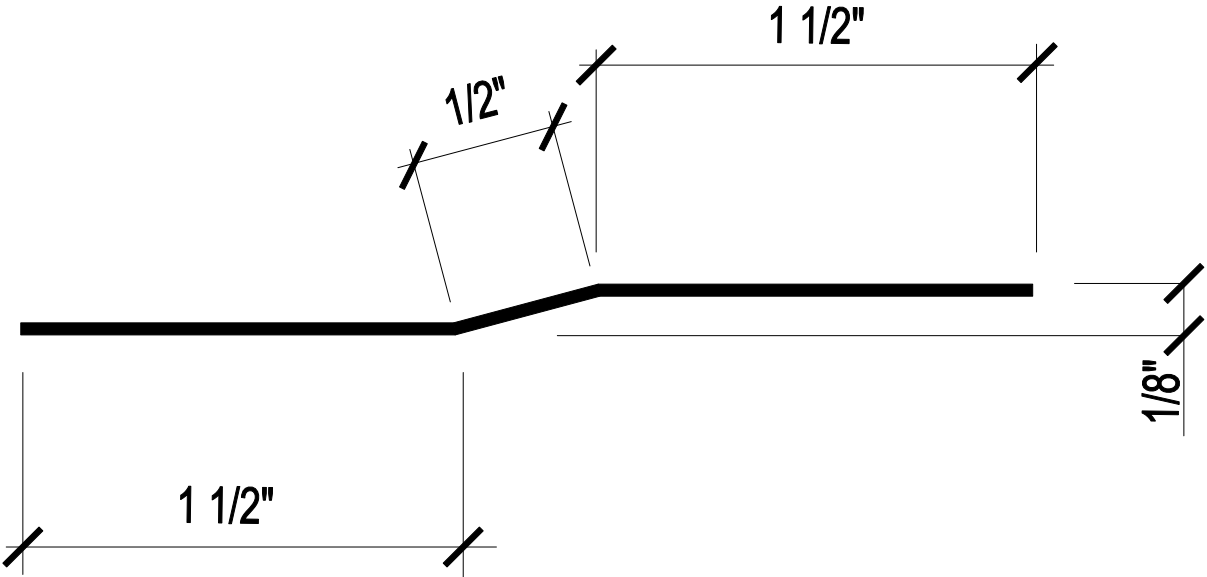
RAKE END CAP
(TS-324 & VS-216 PANEL)

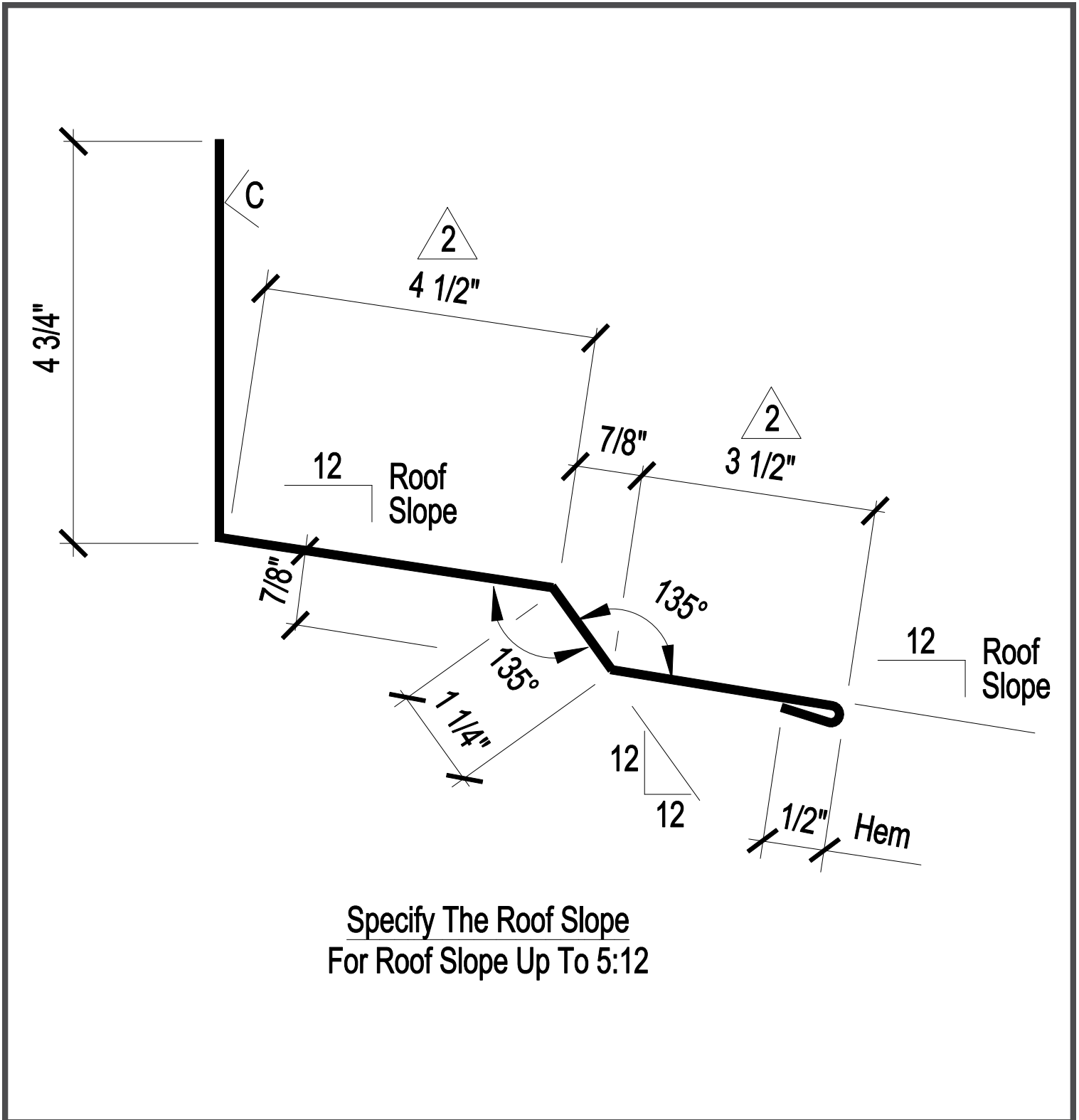


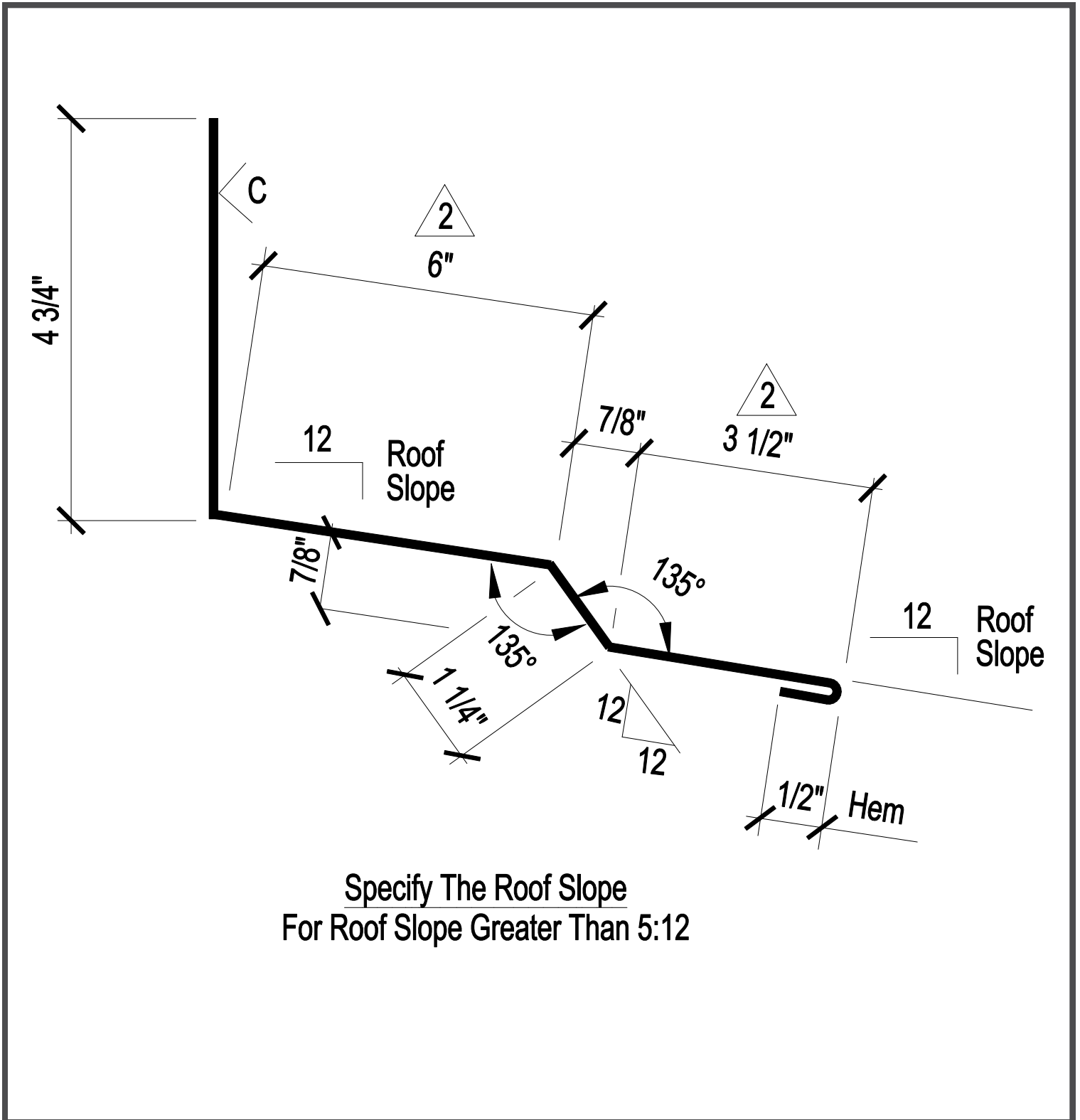








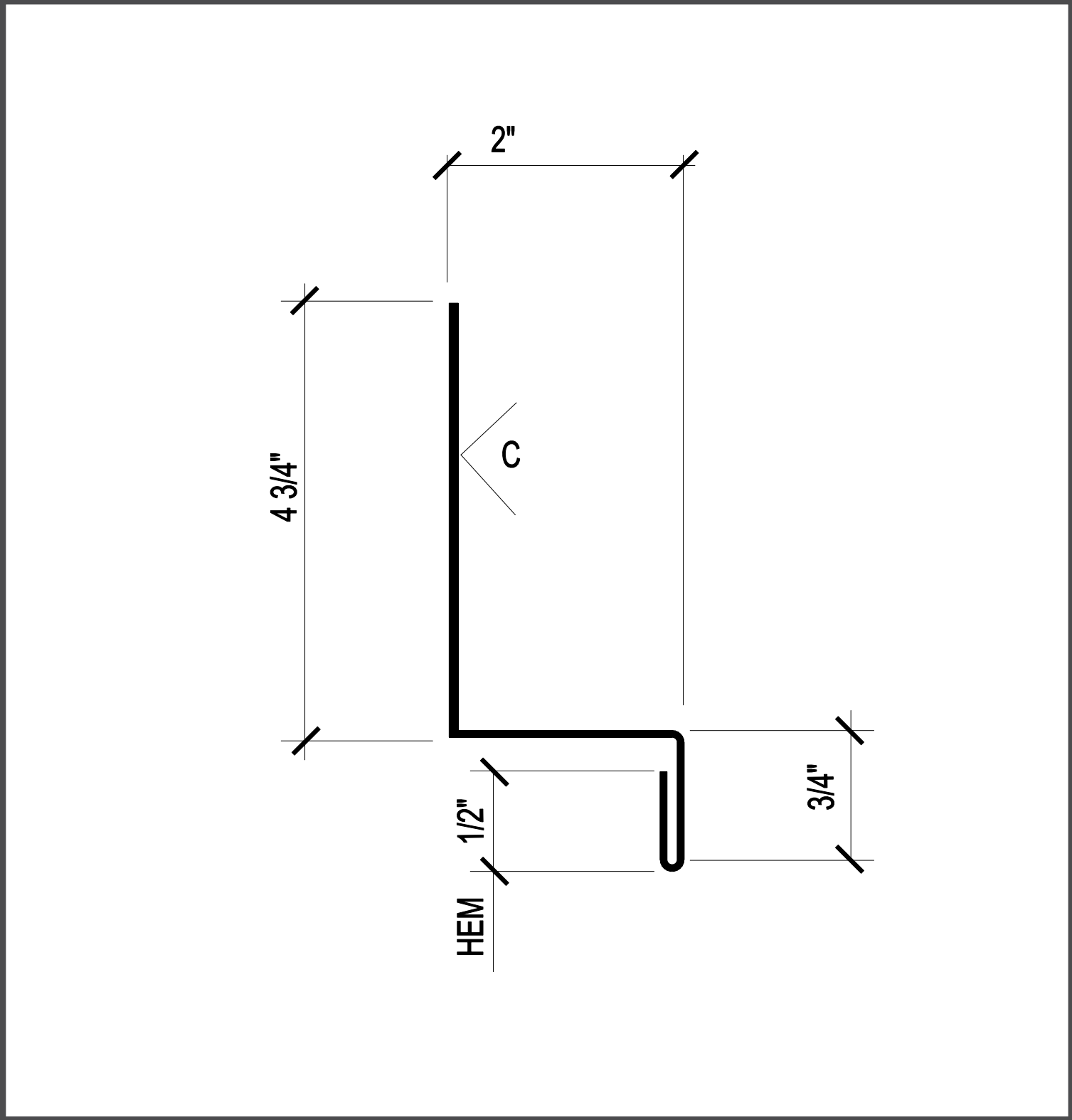


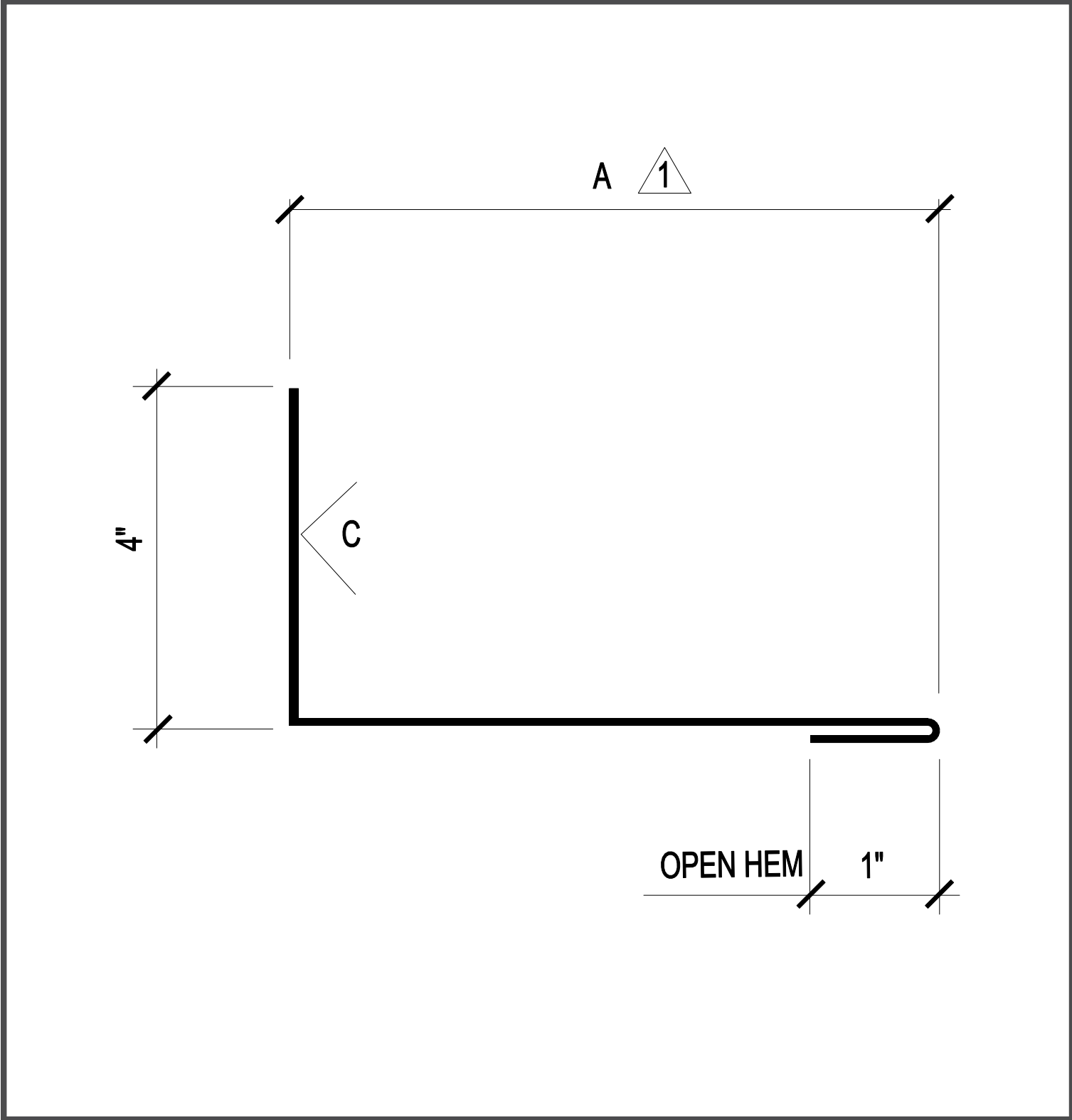


Specify The Roof Slope
For Roof Slope Greater Than 5:12

FL-223

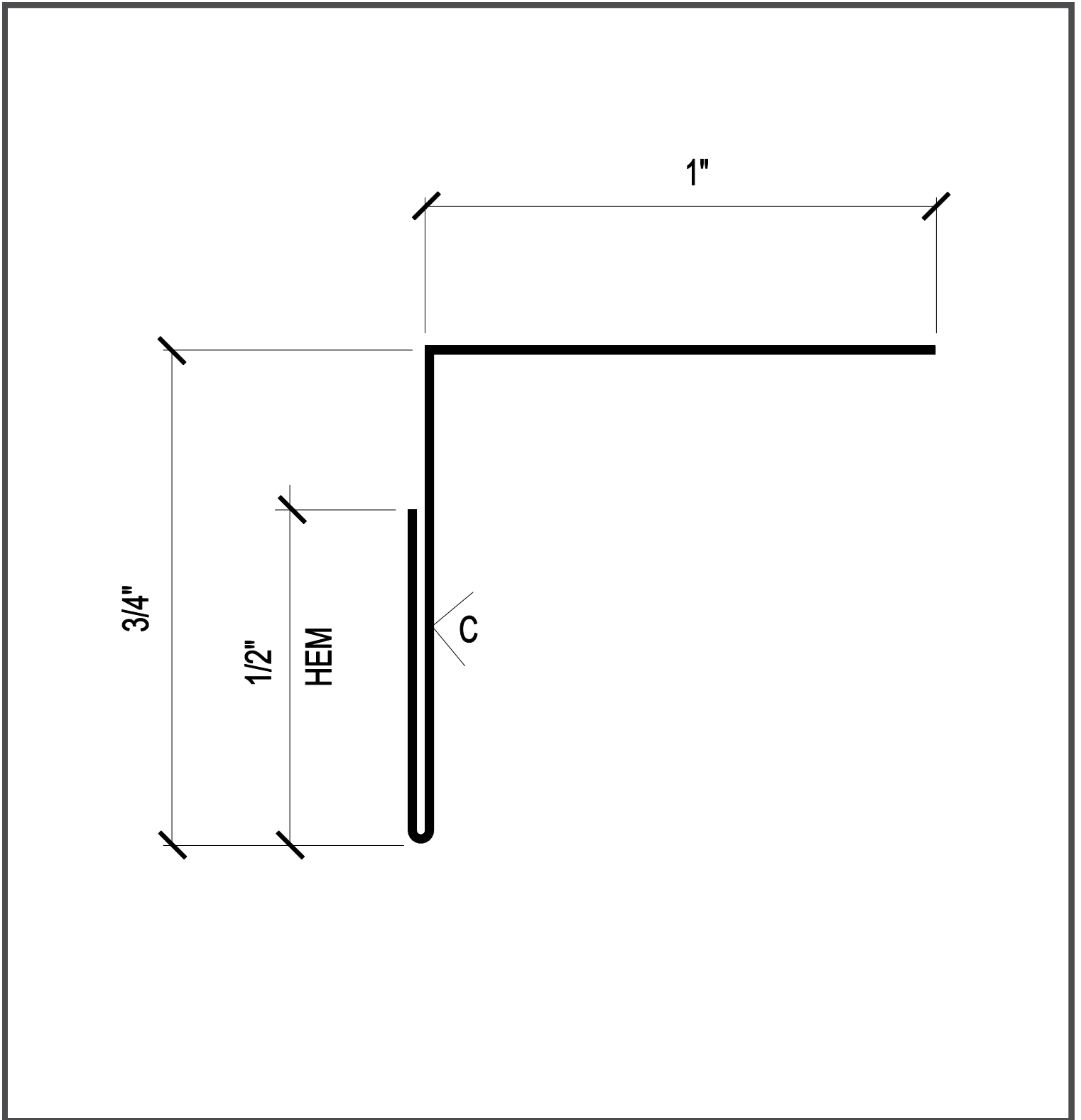
PARAPET RAKE (FIXED)

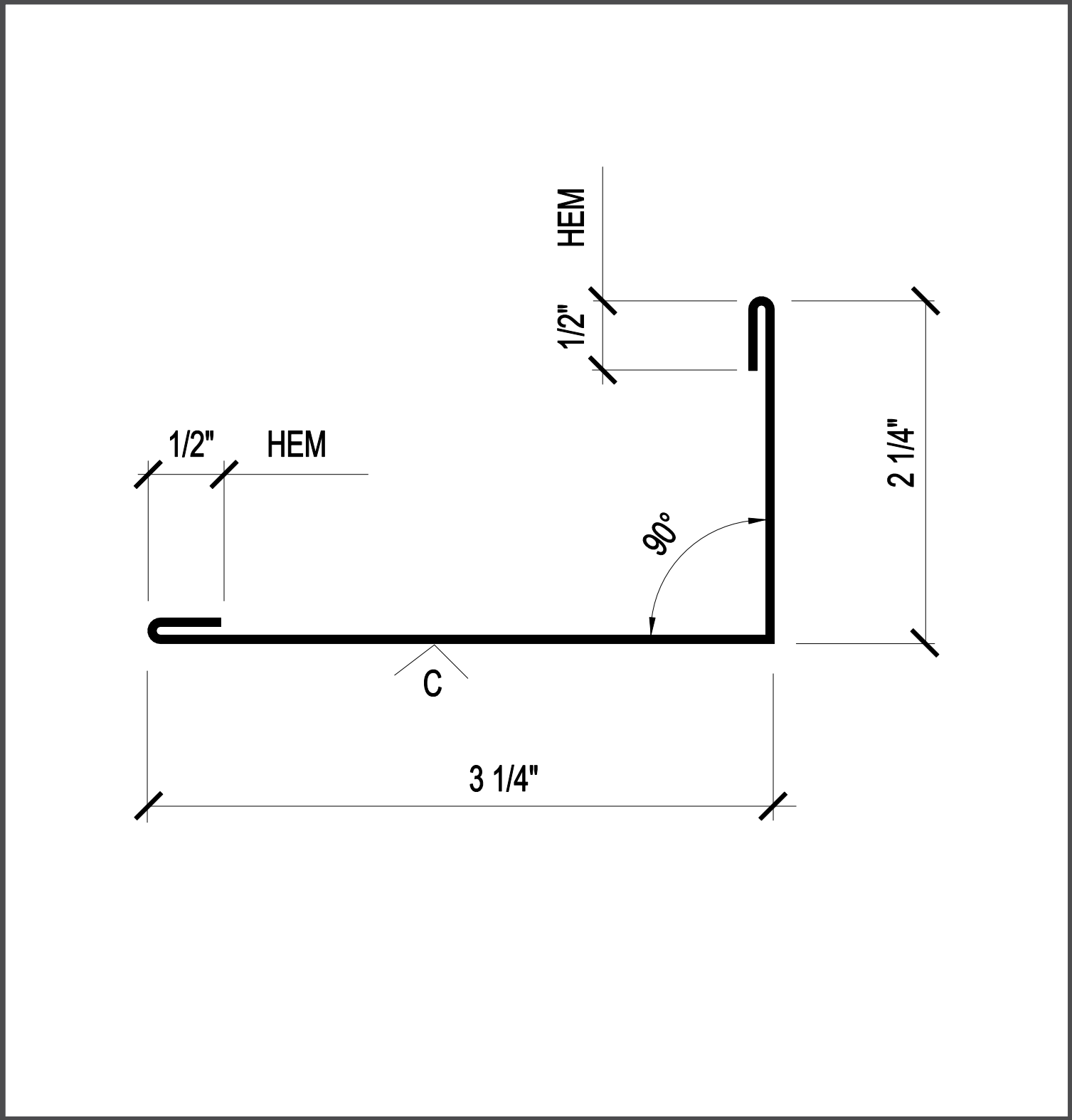


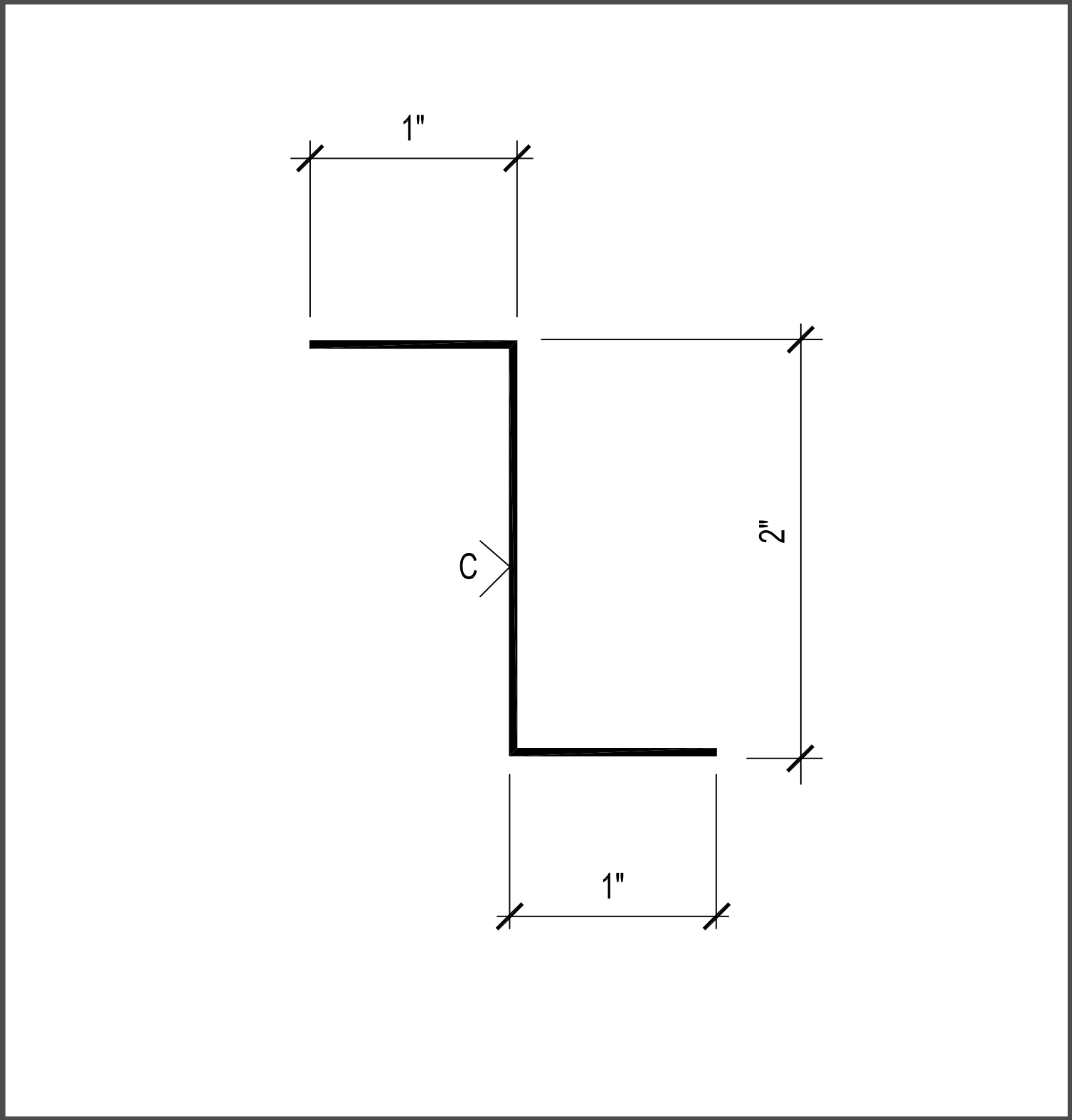


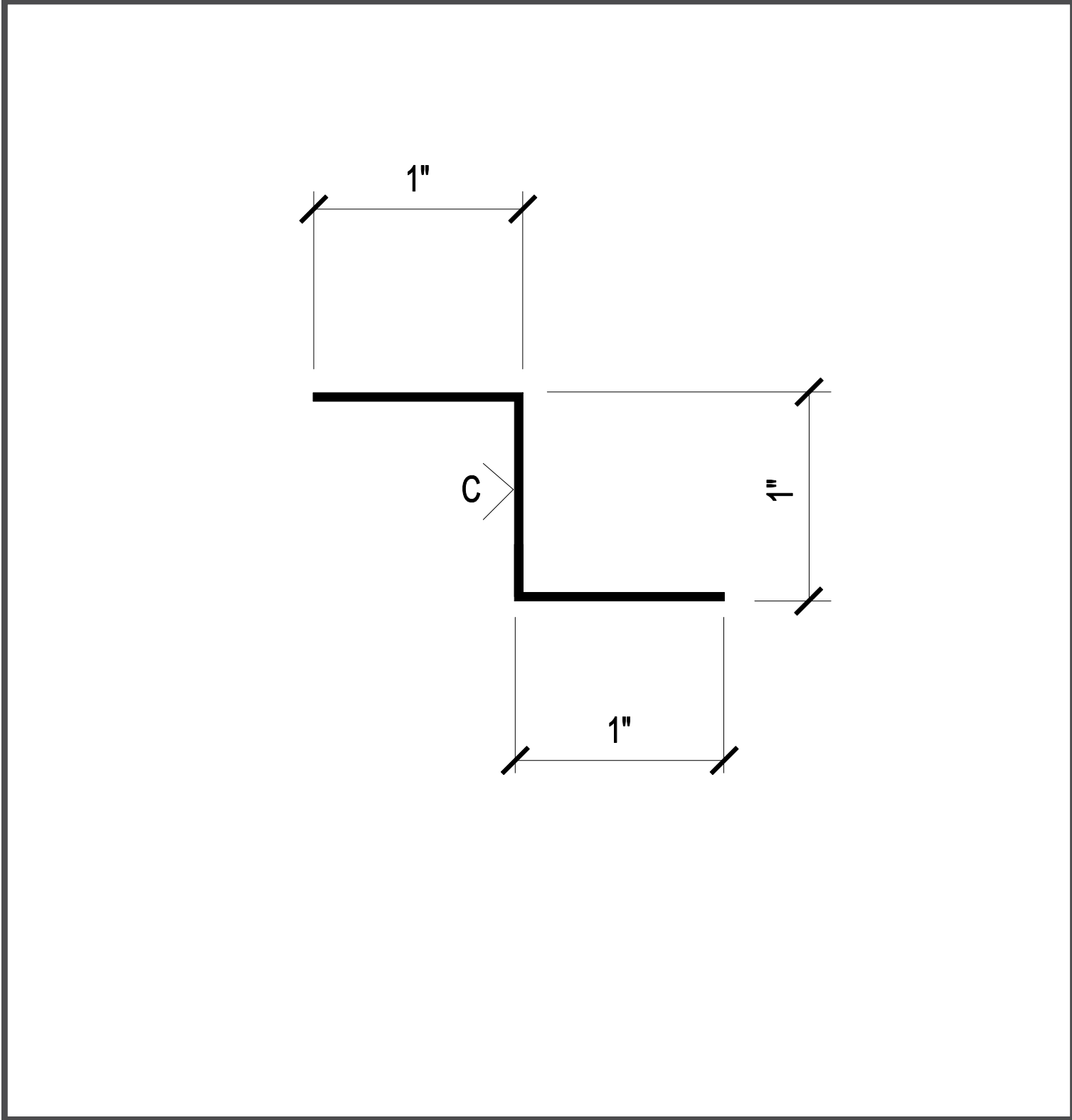
FL-225

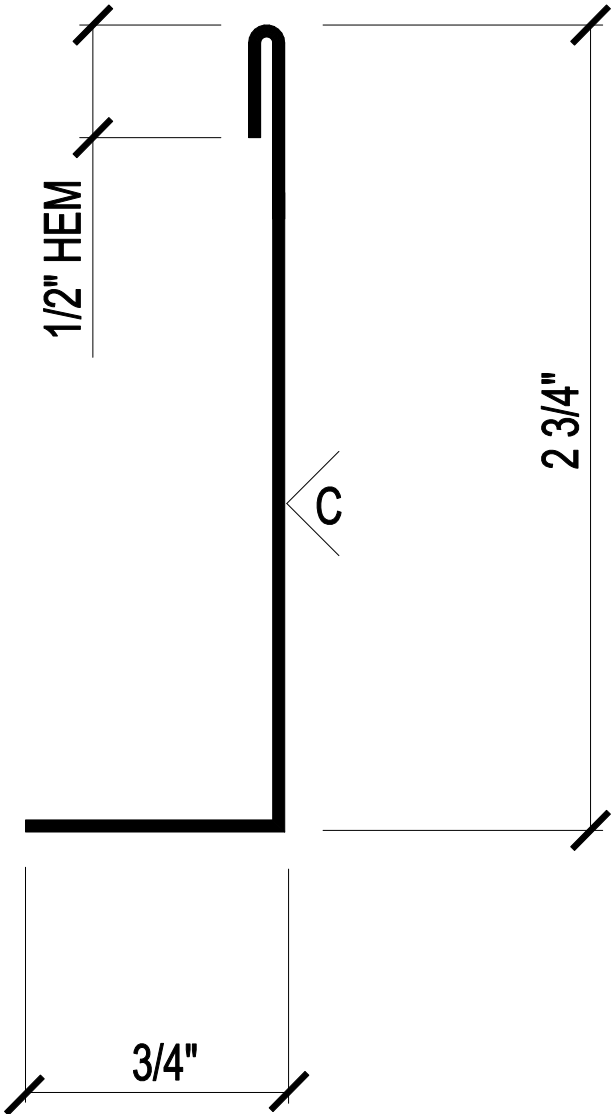
PARAPET RAKE CLEAT

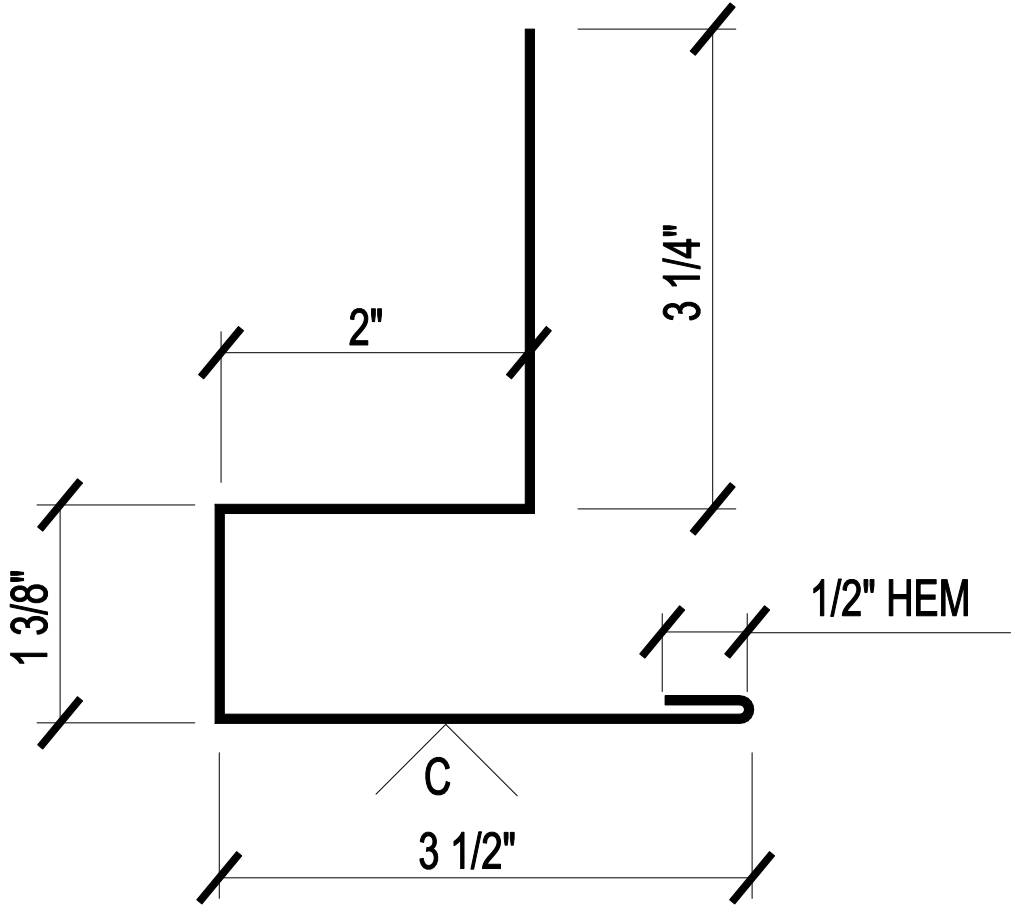


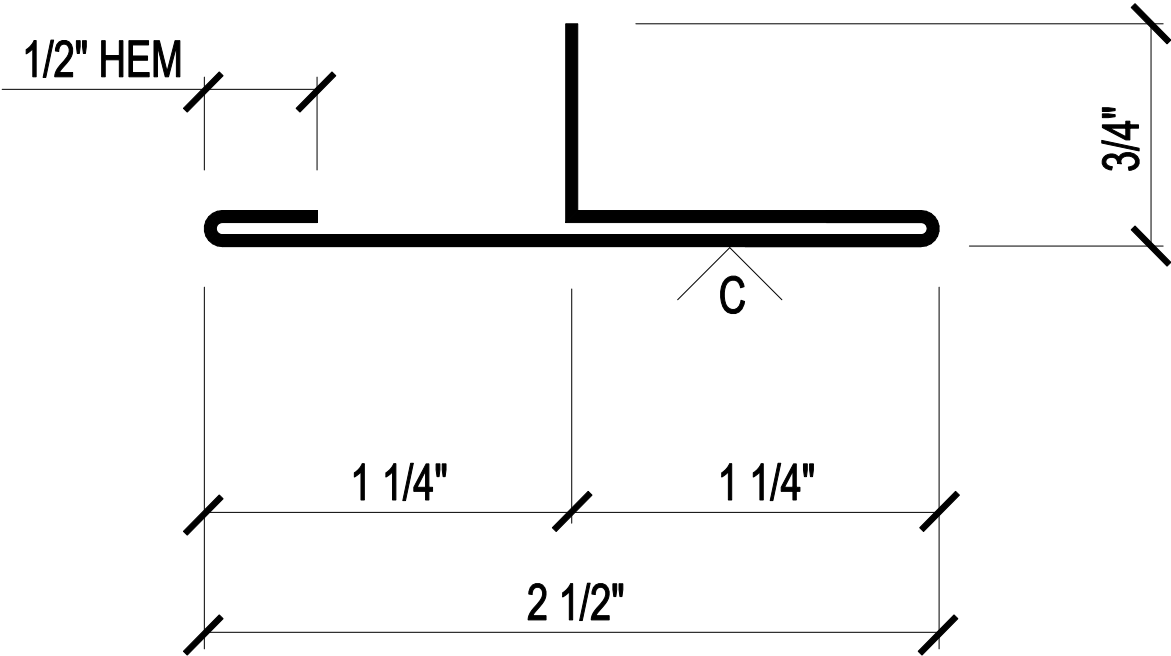






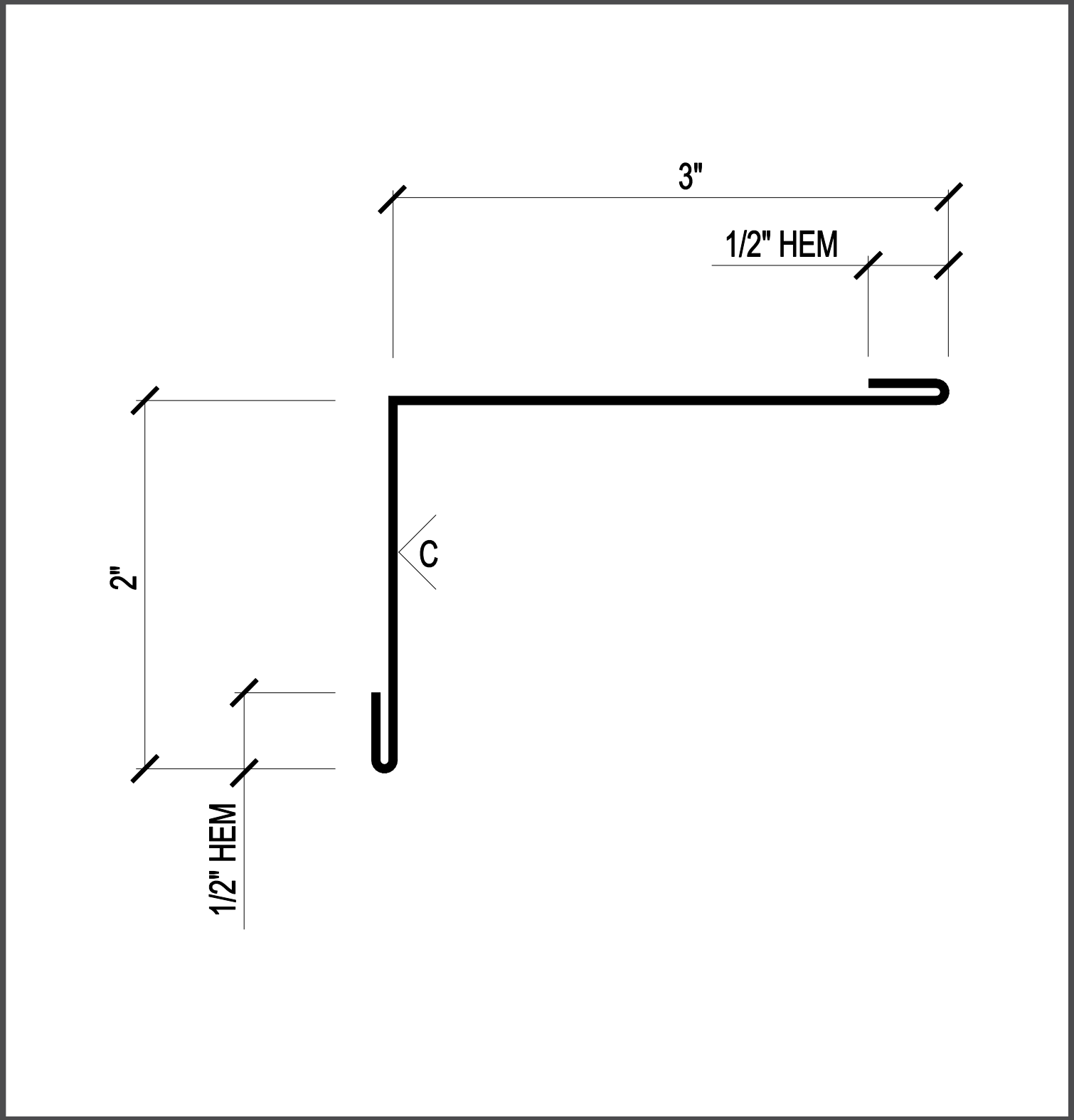






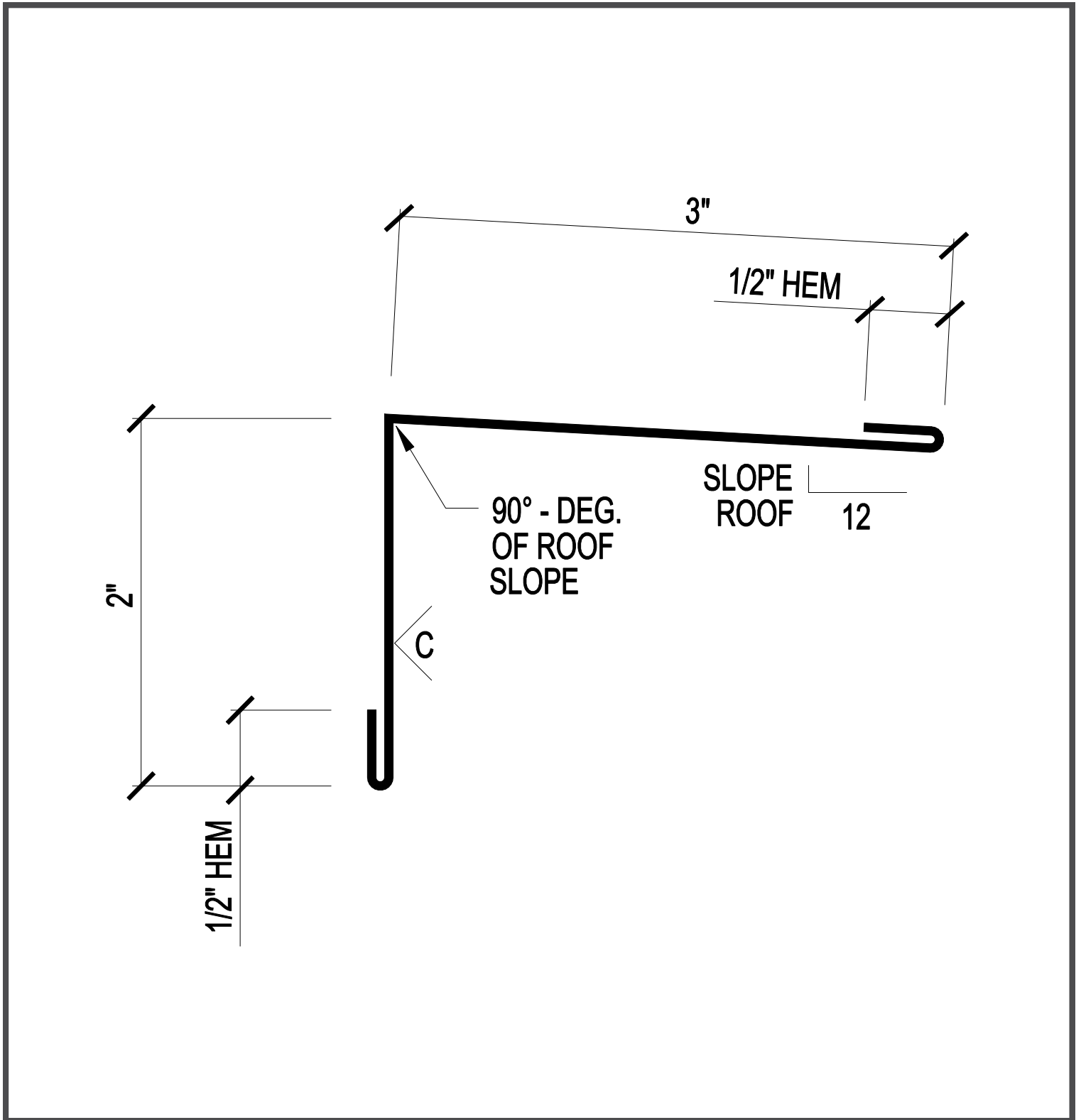
FL-235

2 X 3 INSIDE ANGLE
(ALL PANELS)



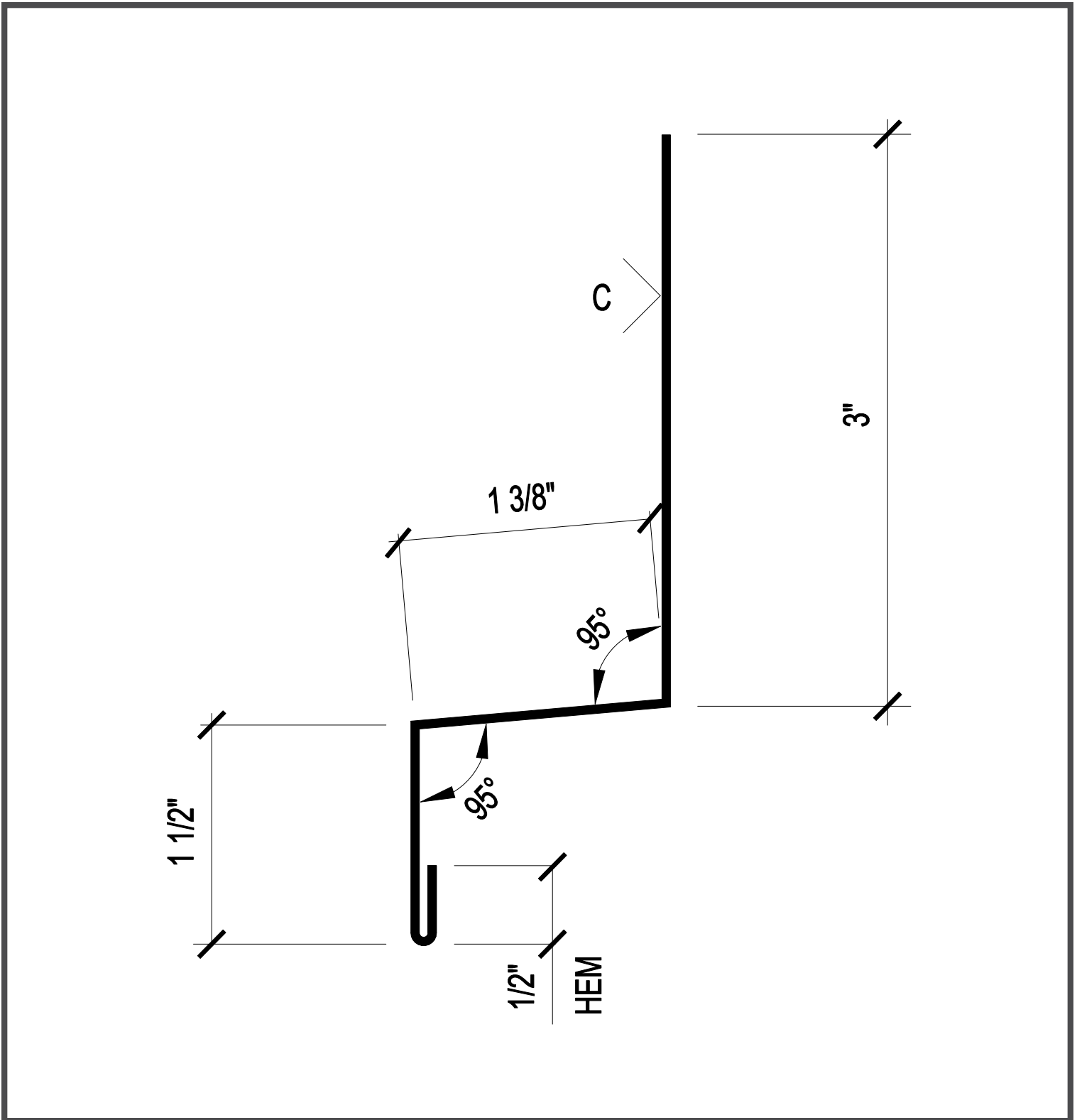
FL-236

2 X 3 INSIDE ANGLE
(ALL PANELS)



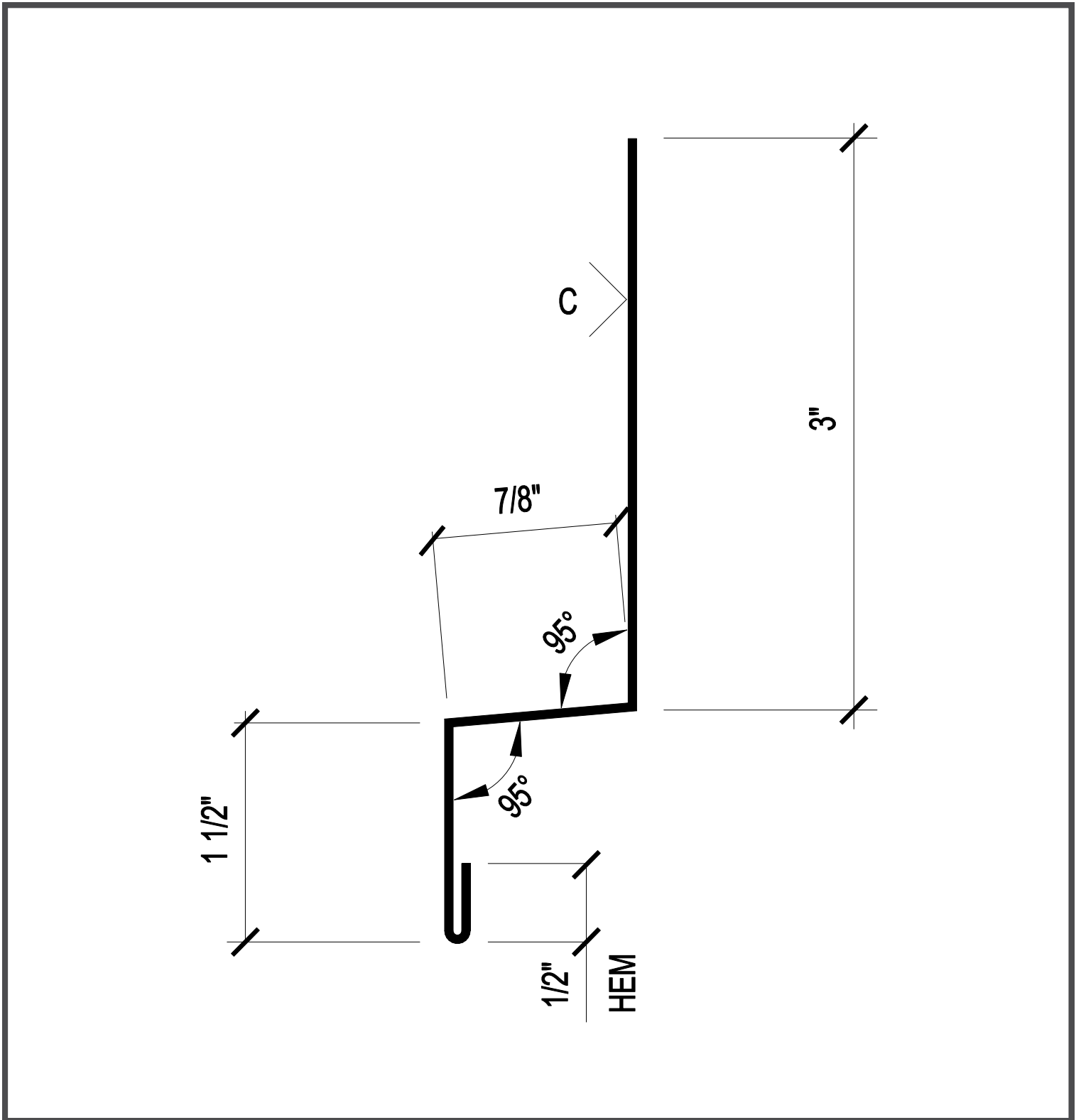
FL-237

WAINSCOT TRANSITION TRIM
("PBR", "A" PANELS)



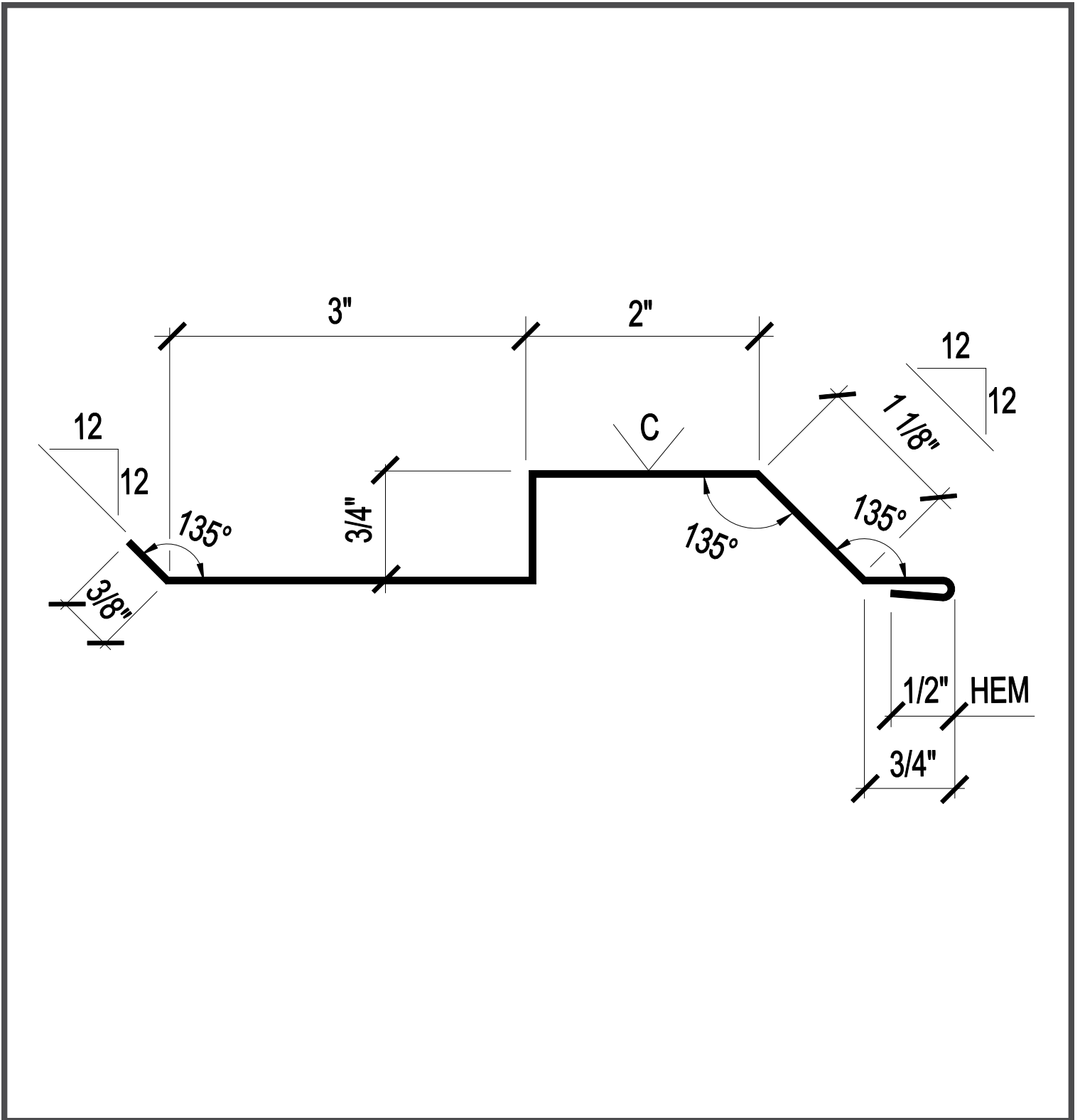
FL-238

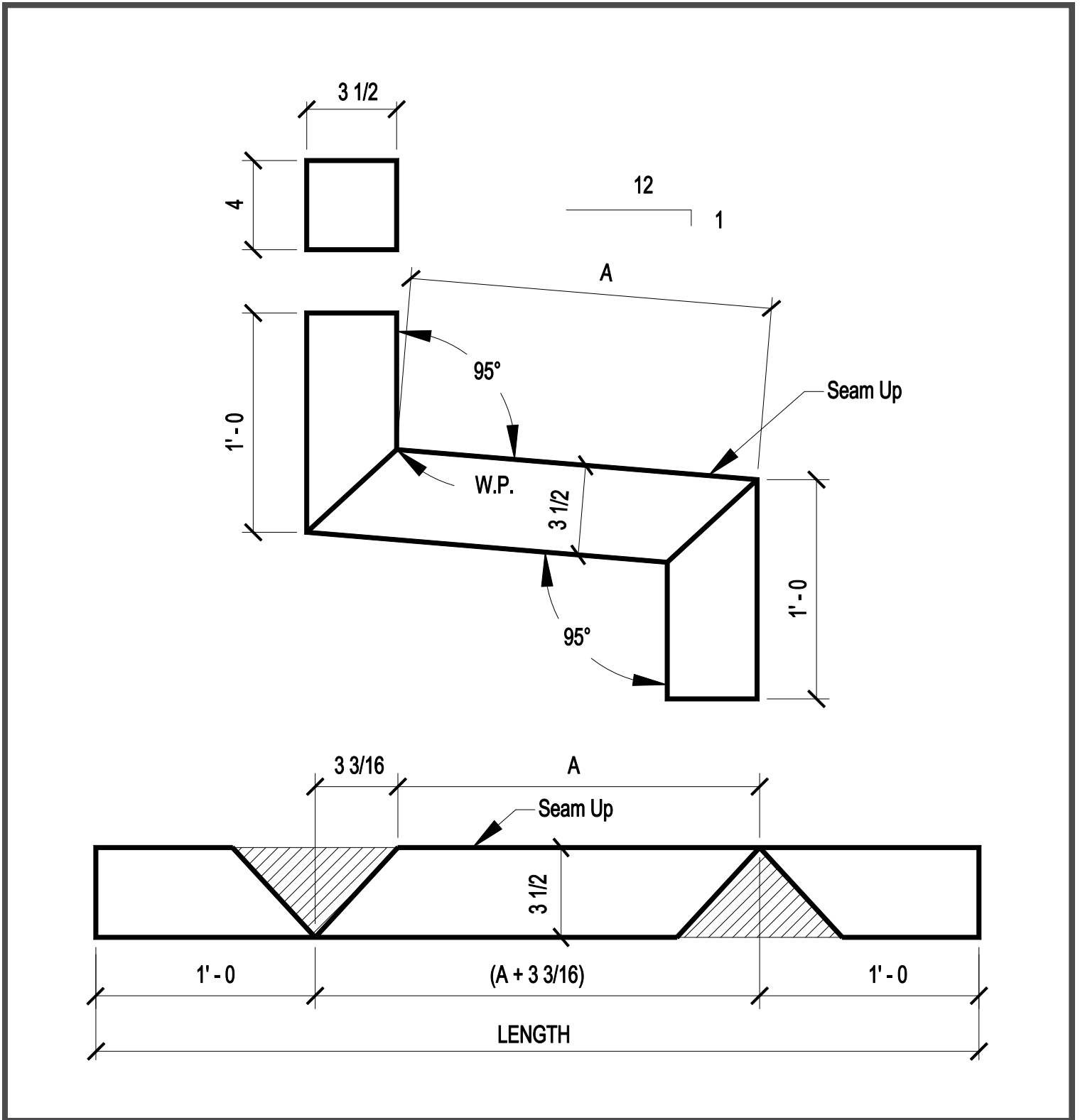
WAINSCOT TRANSITION TRIM
("PBU" PANELS)



FL-239

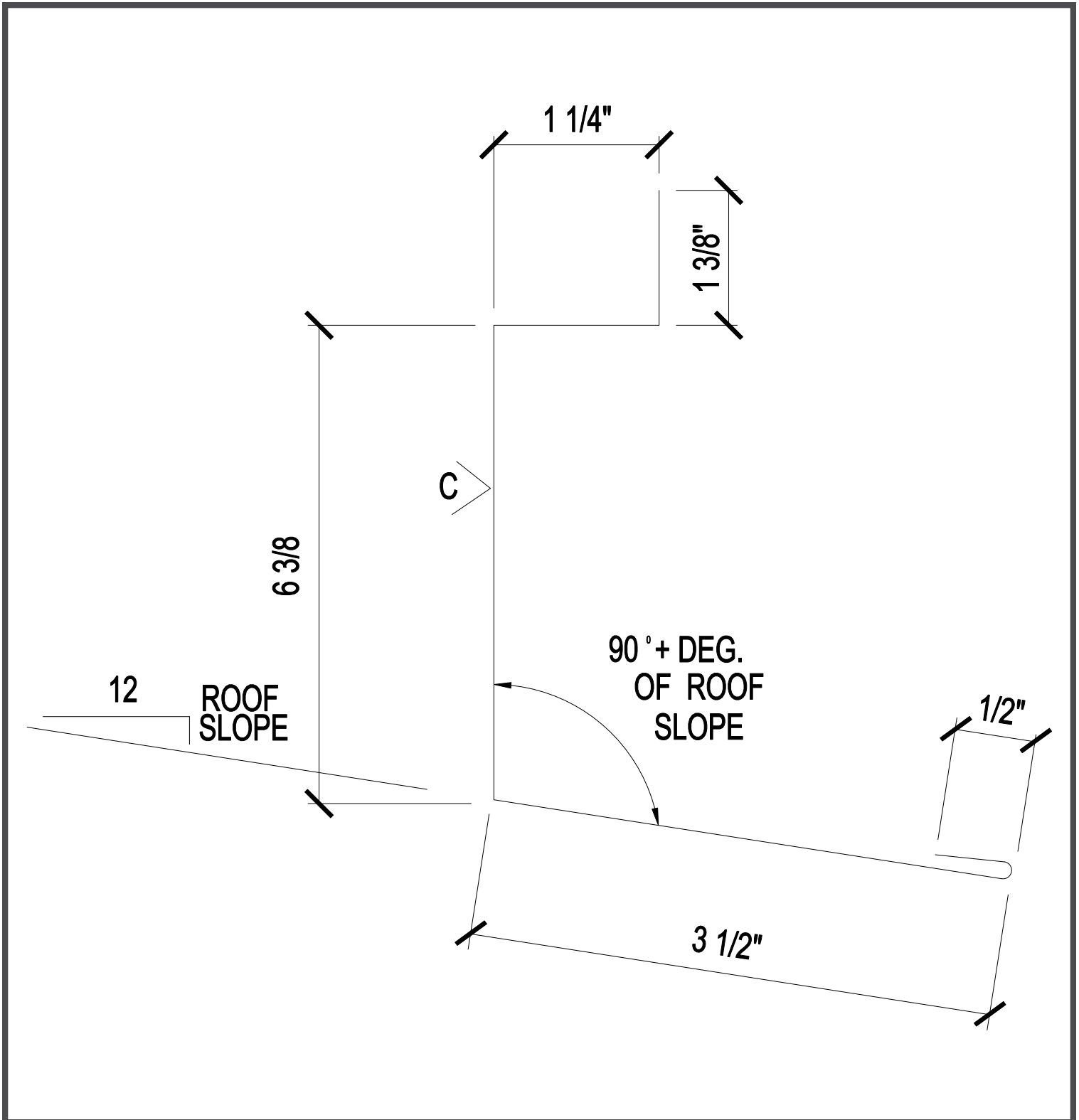
LINER CONVERSION TRIM
("PBU" PANEL)

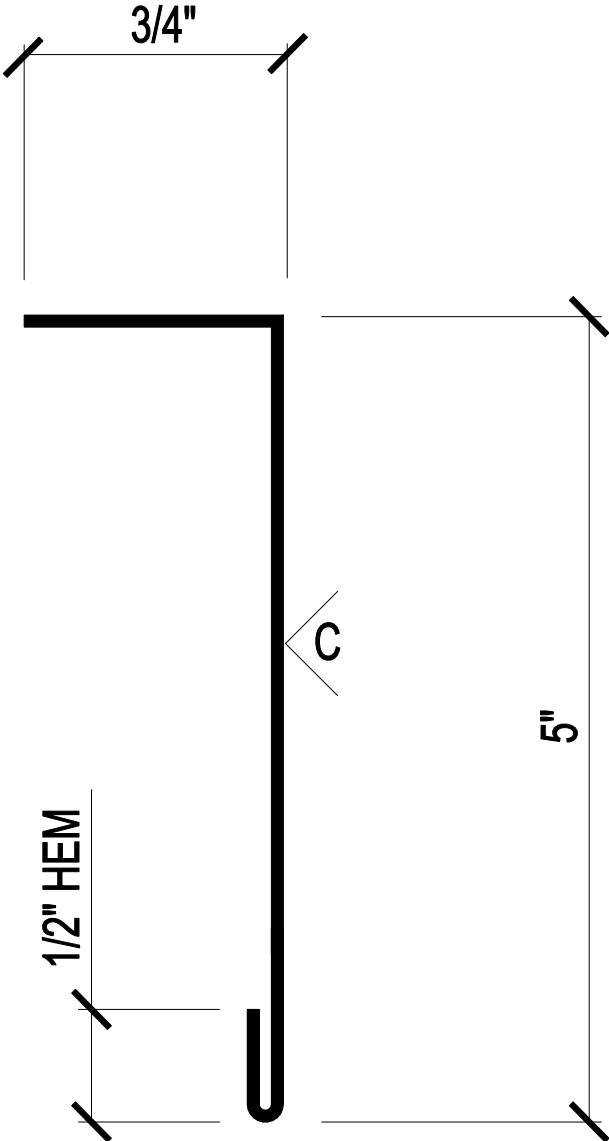




FL-241

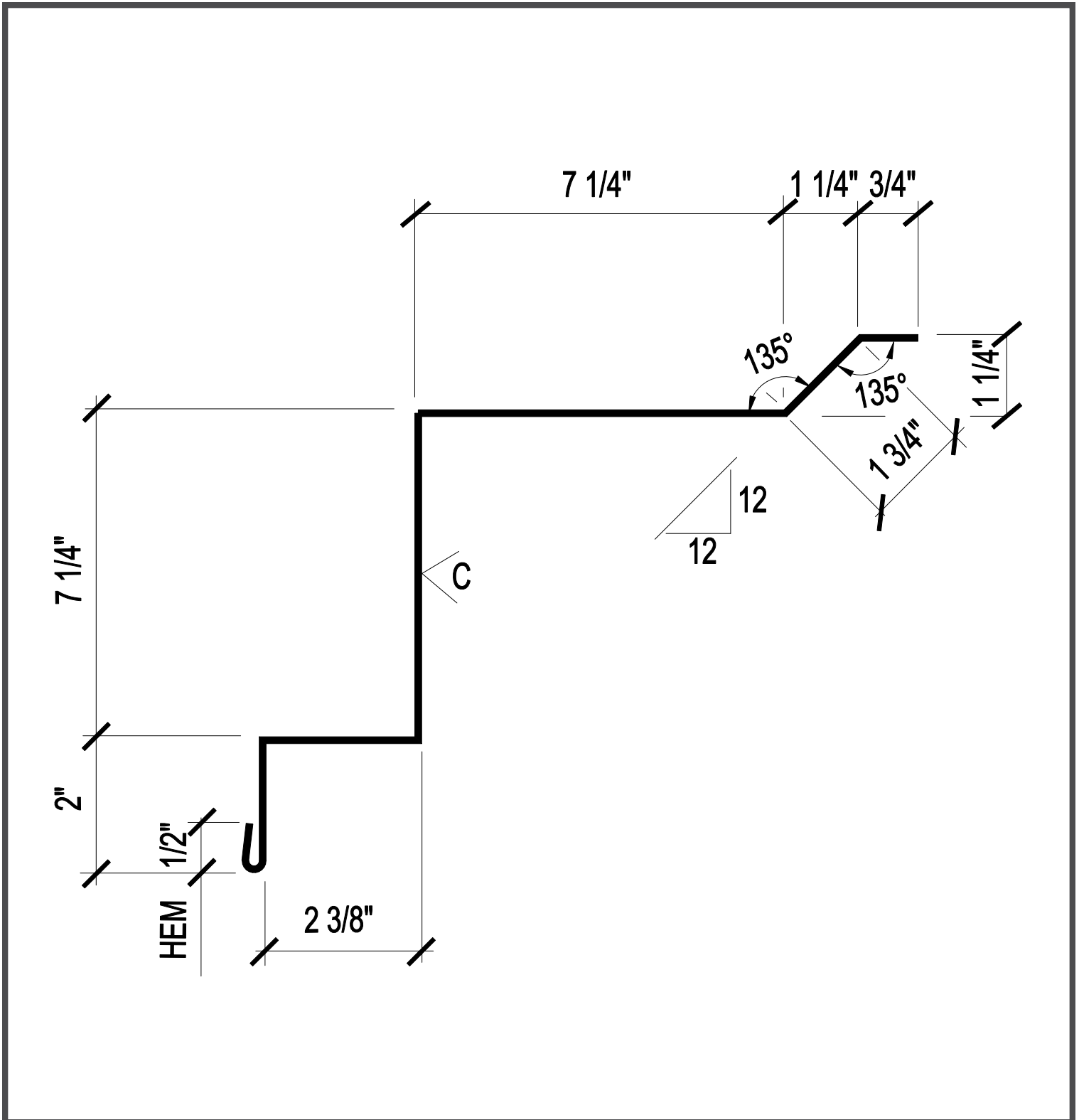
HIGH EAVE SPACER TRIM
(FOR 8" EAVE STRUT)





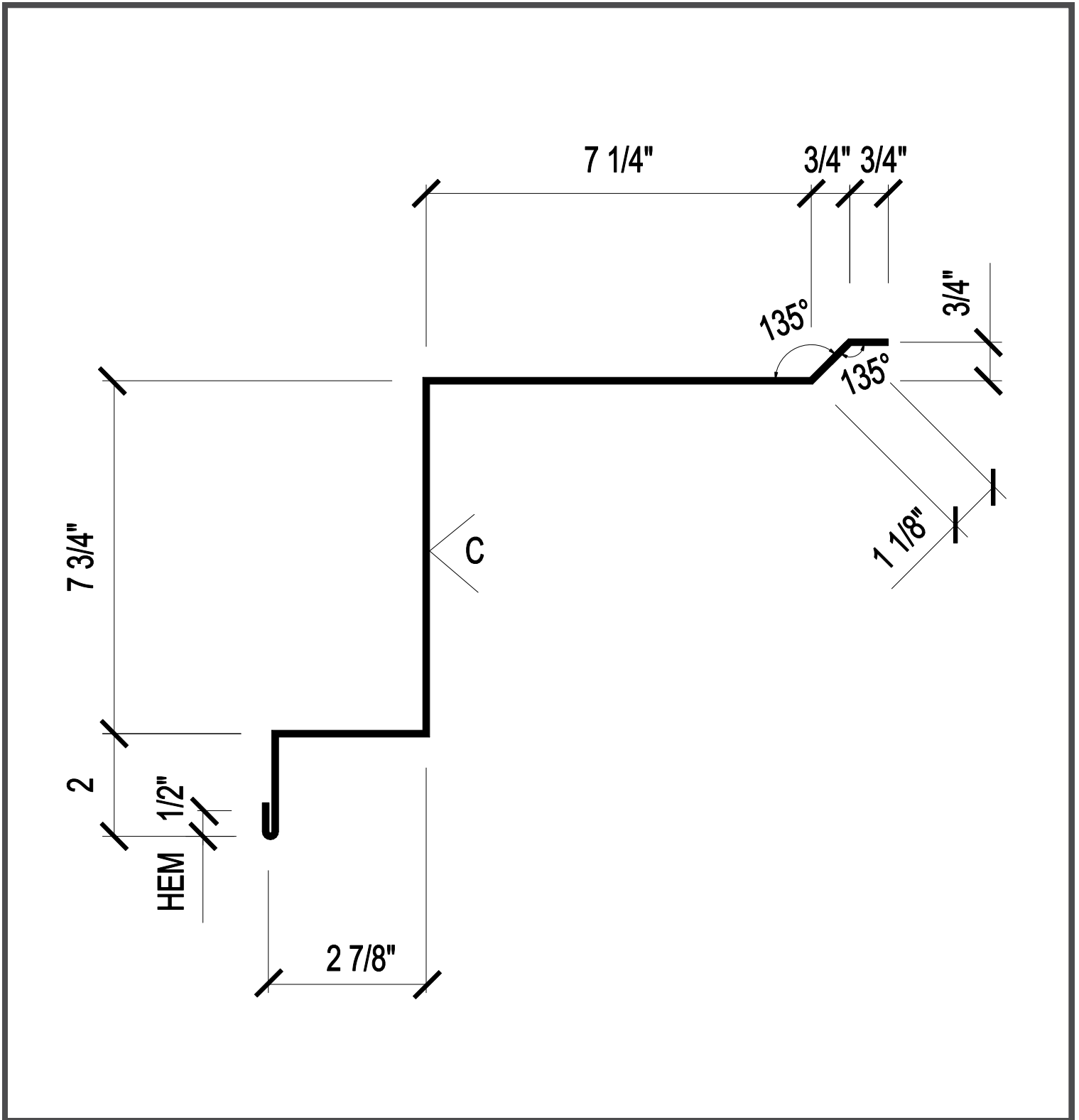
FL-245

CHANNEL RAFTER CLOSURE TRIM
(8" CEE RAFTER, 8" GIRT, & "PBR" LINER PANEL)



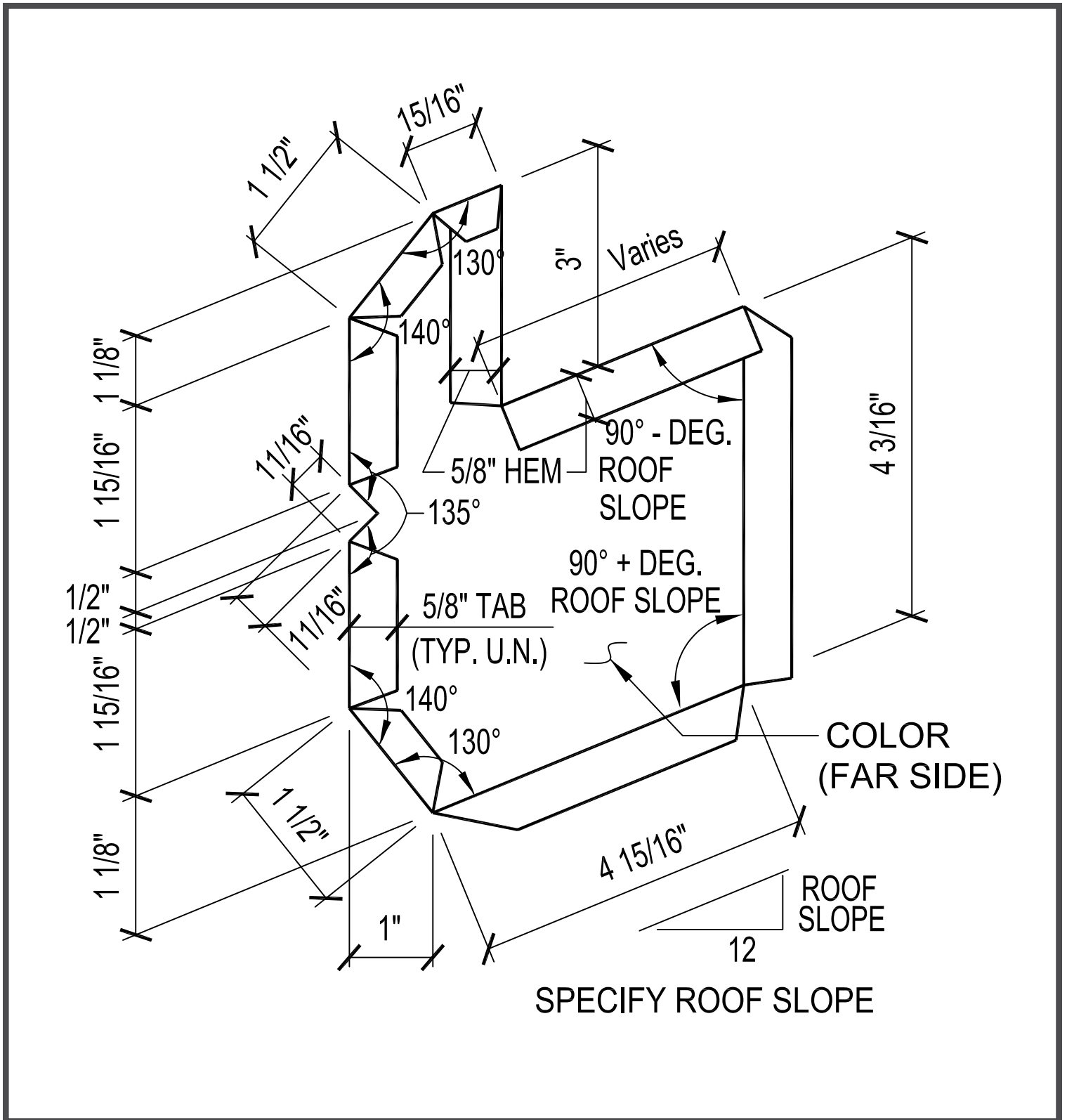
FL-246

CHANNEL RAFTER CLOSURE TRIM
(8" CEE RAFTER, 8" GIRT, & "PBU" LINER PANEL)



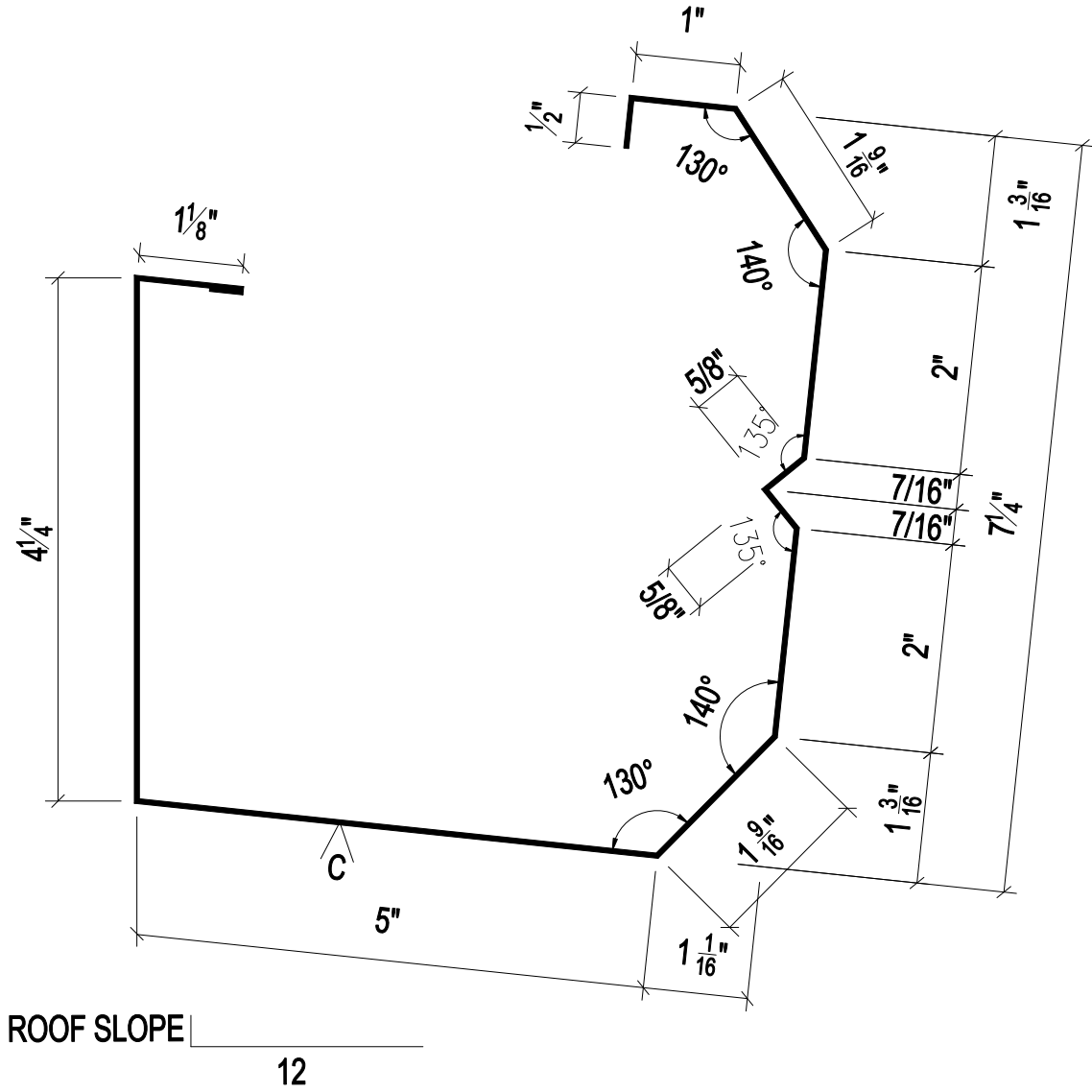
FL-269 L
FL-269 R

GUTTER END CAP (SHADOW) (TS-324 PANEL)



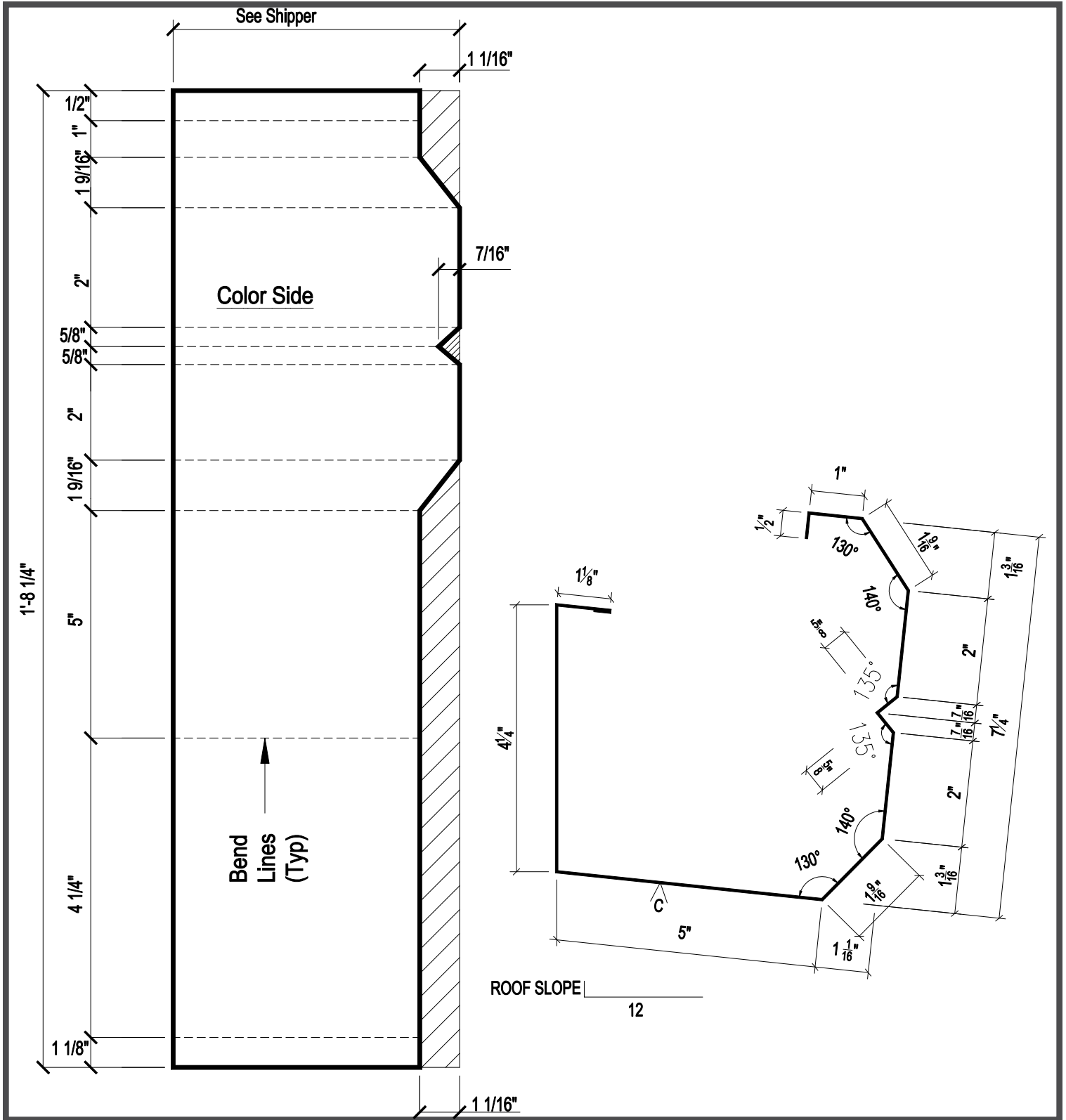
FL-270

SHADOW GUTTER (TS-324)



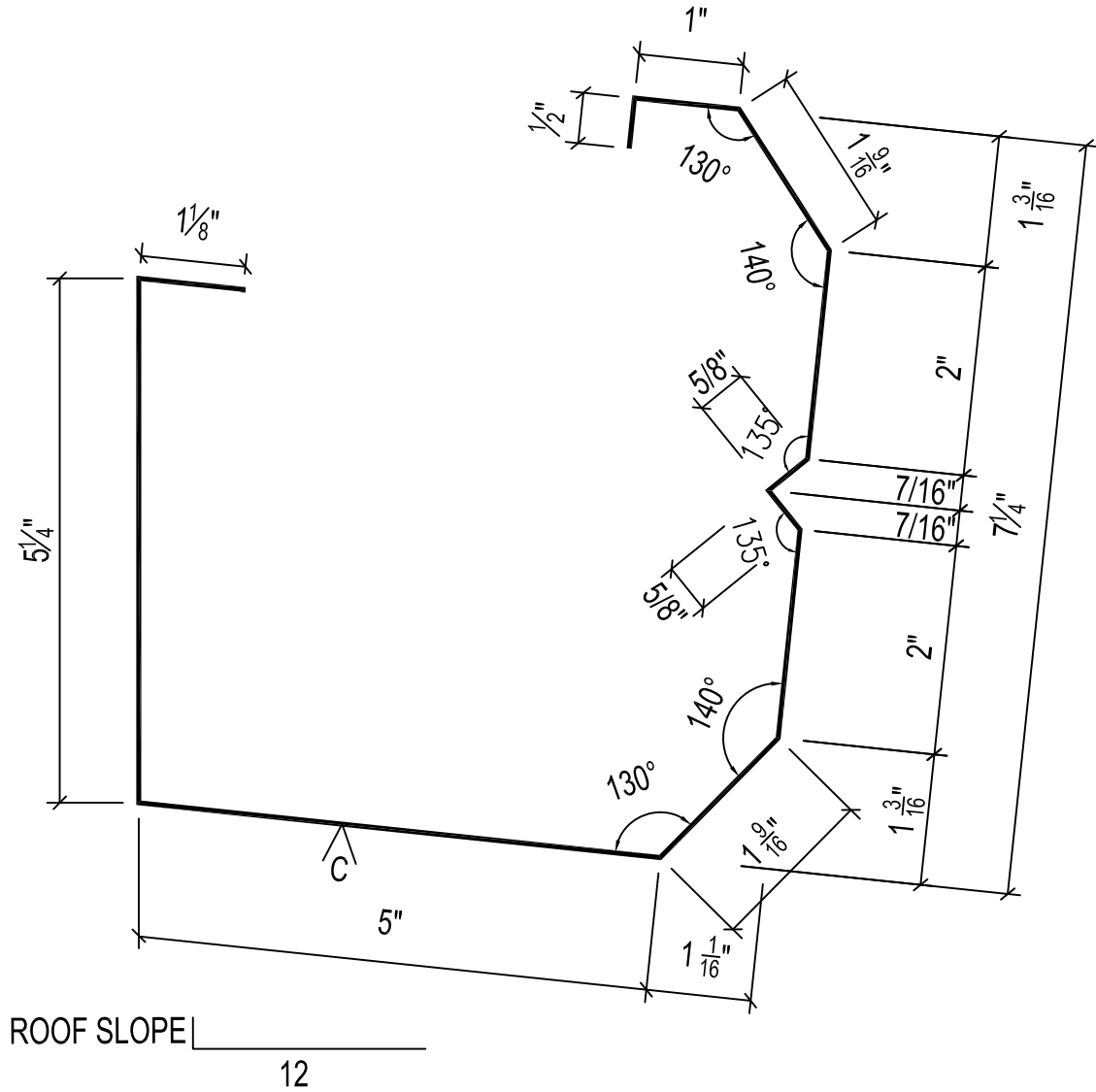
FL-270 R FL-270 L

SHADOW GUTTER



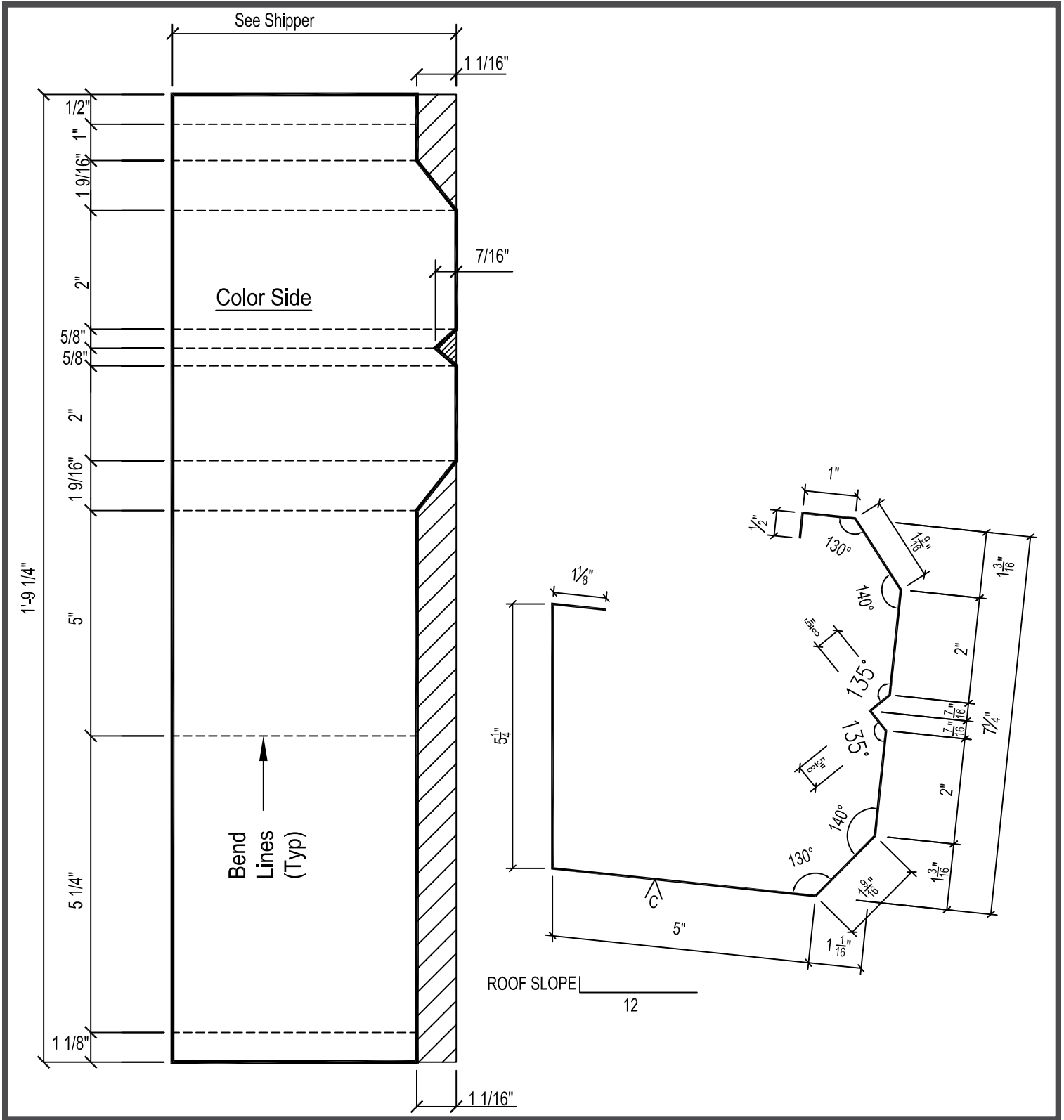
FL-272

SHADOW GUTTER (VS-216)



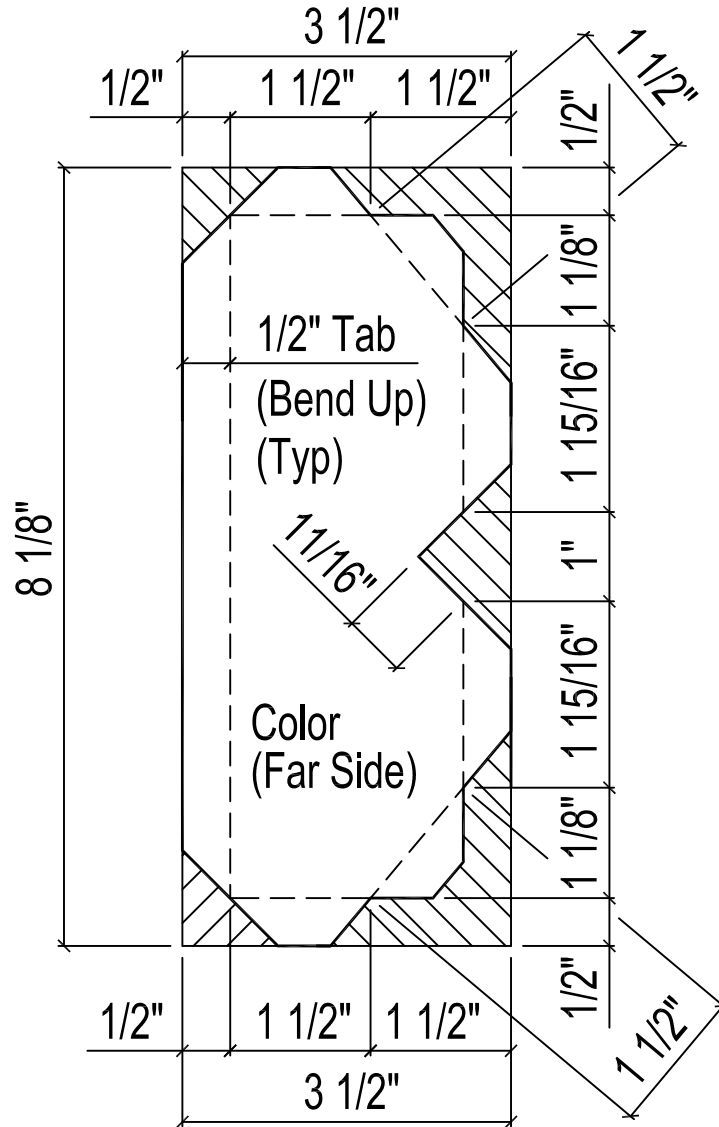
FL-272 R
FL-272 L

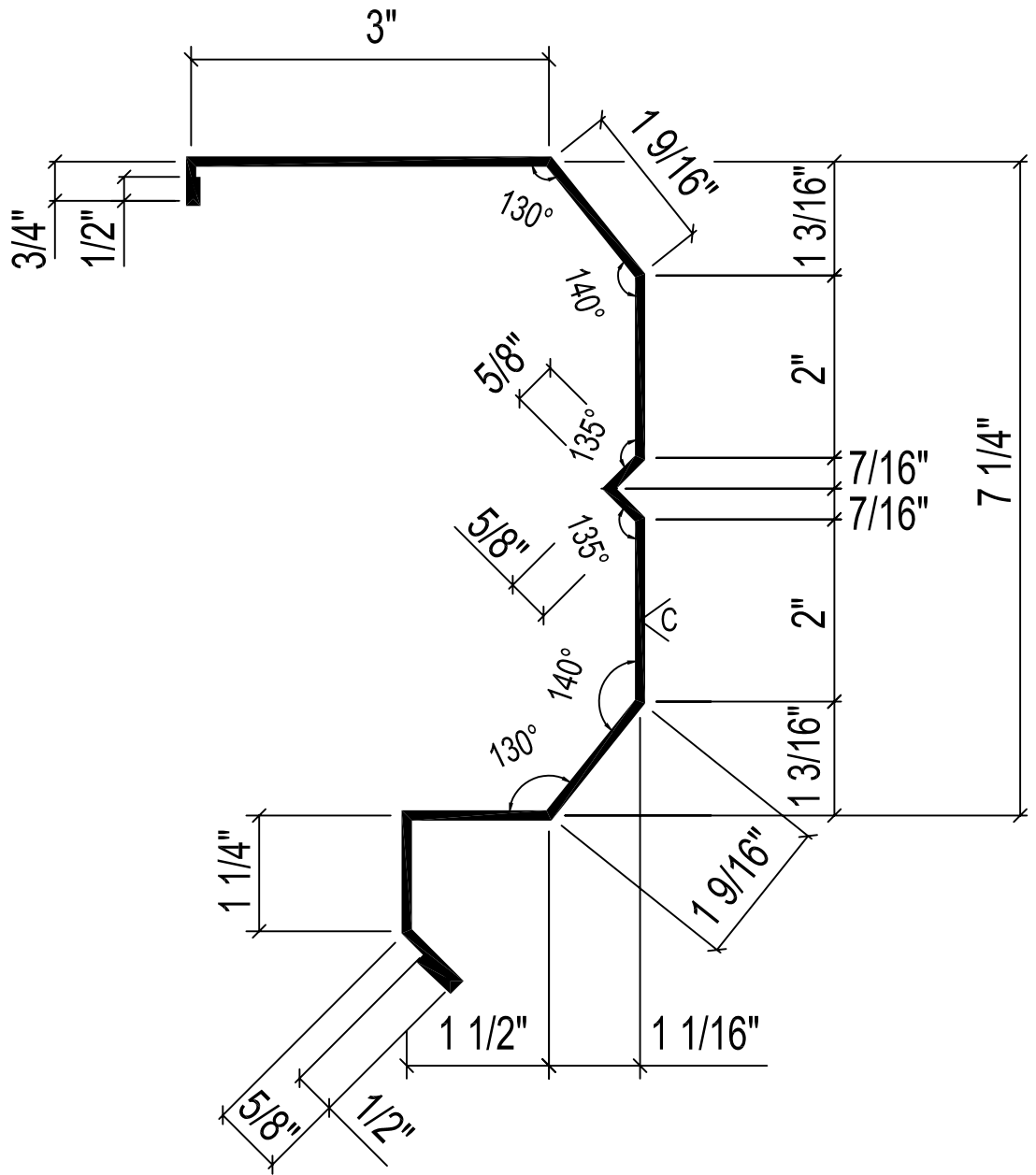
SHADOW GUTTER
(VS-216)



FL-274

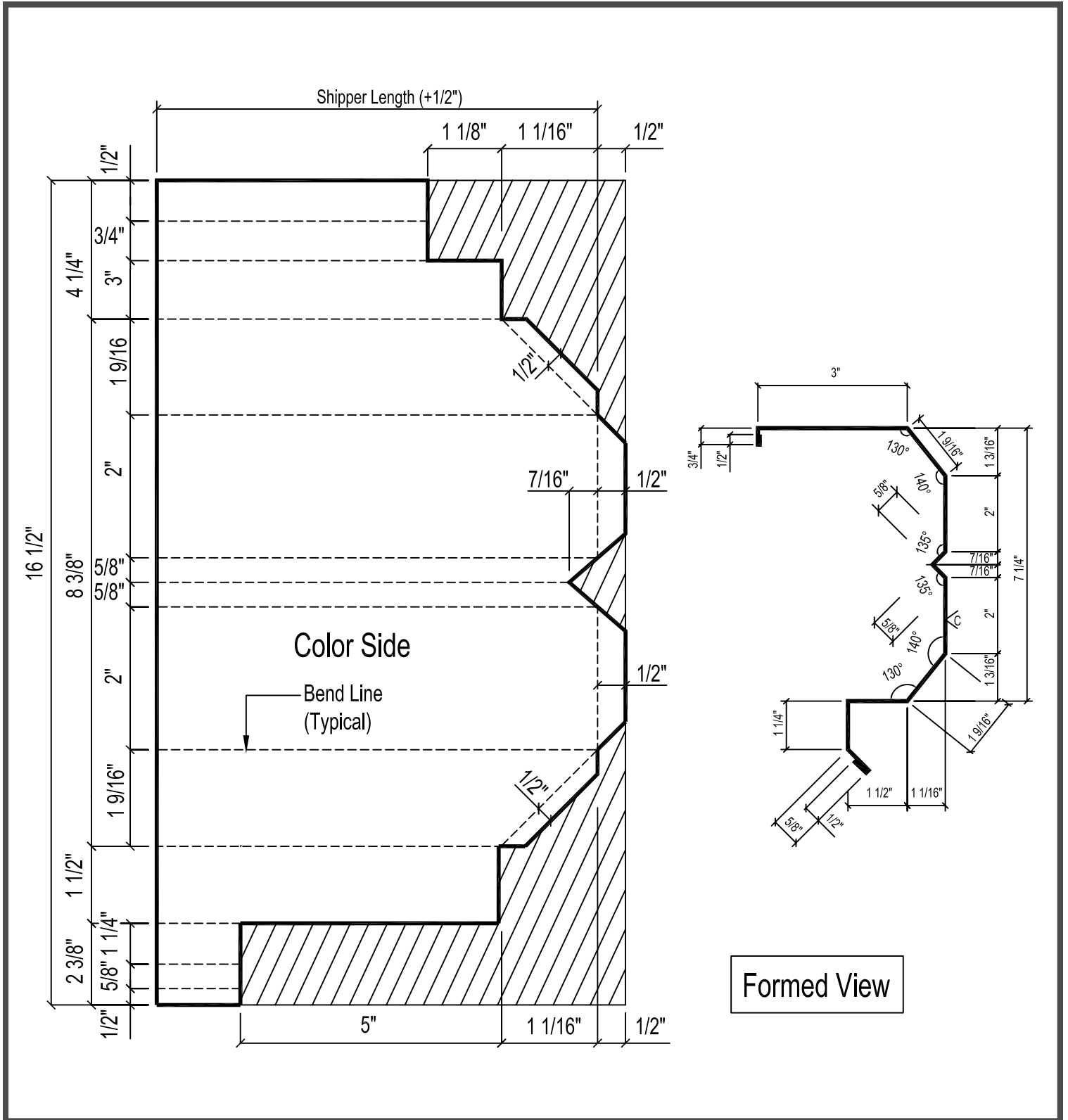
RAKE END CAP
(TS-324 & VS-216 PANEL)(SHADOW)





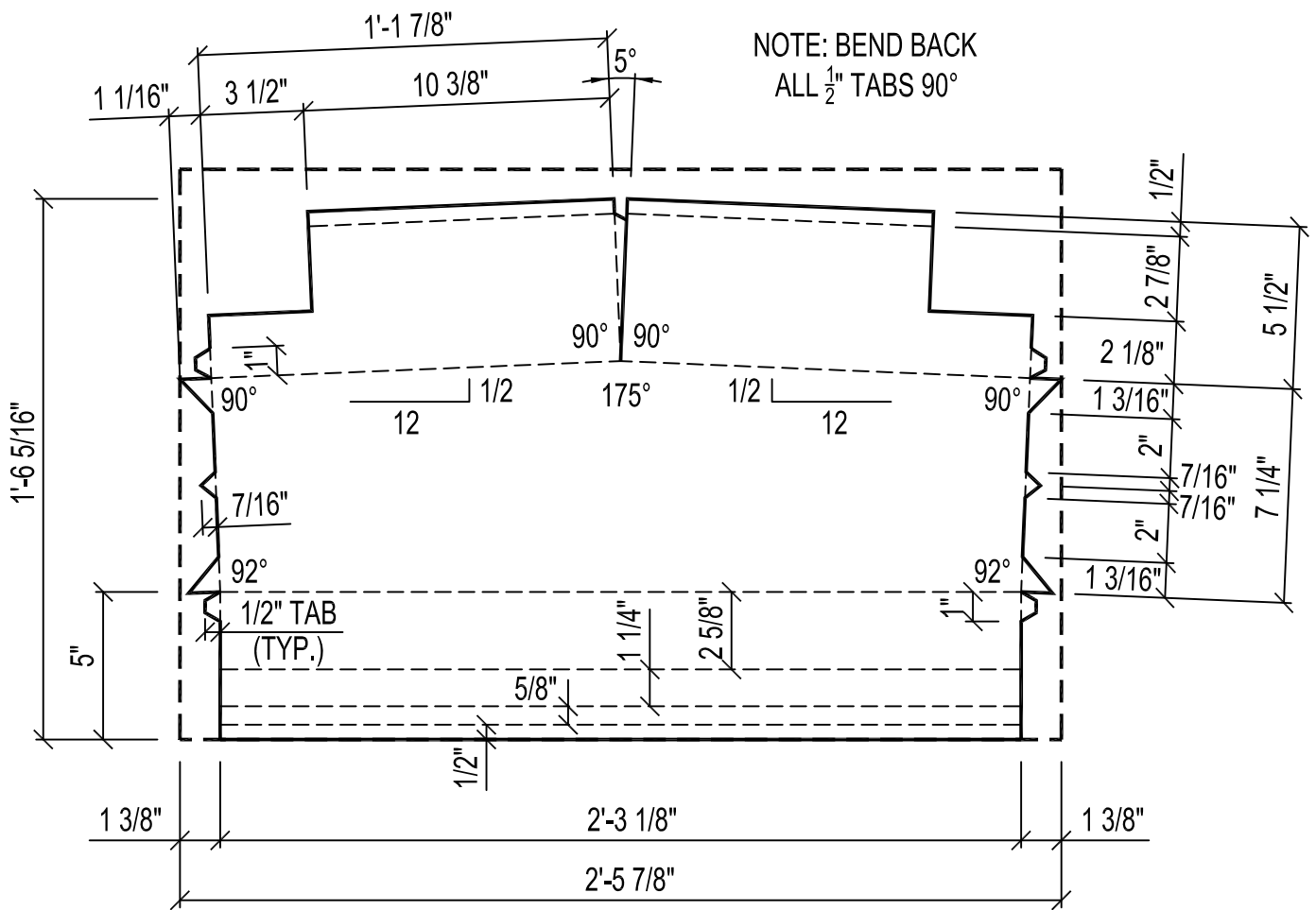
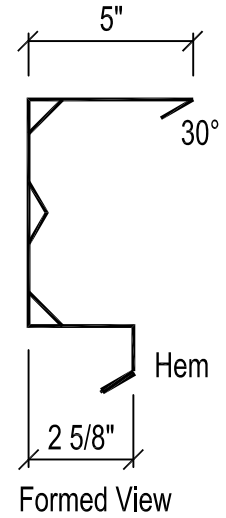
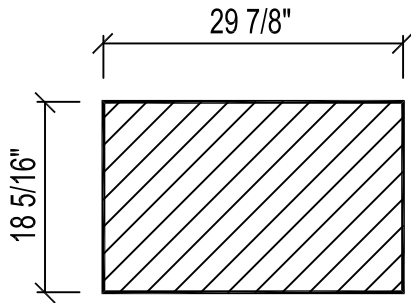
FL-275 R
 FL-275 L

SHADOW RAKE



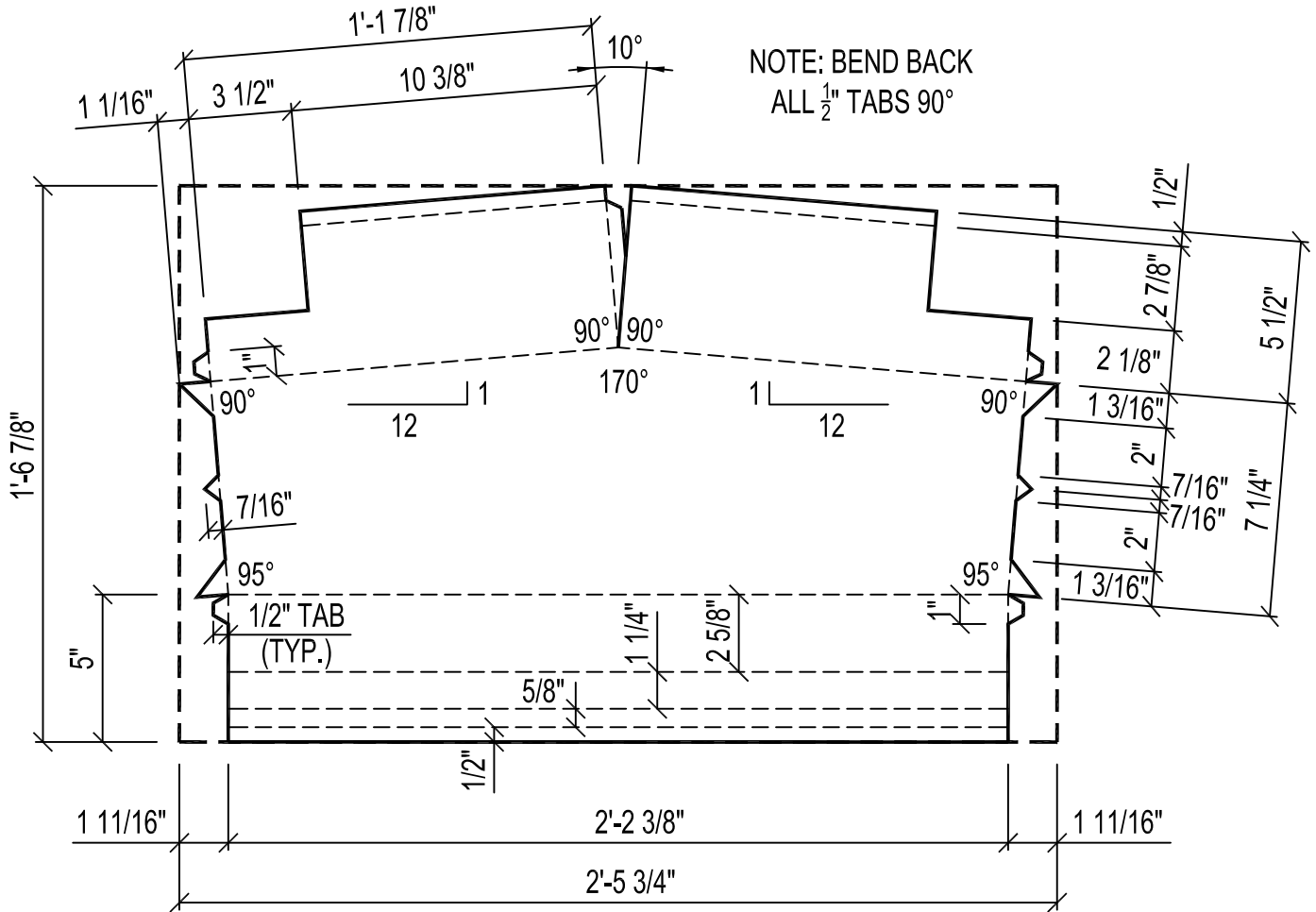
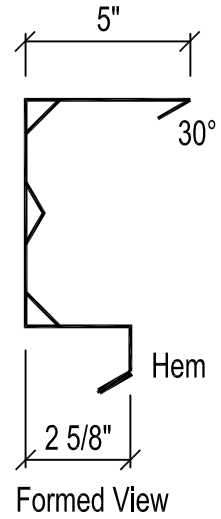
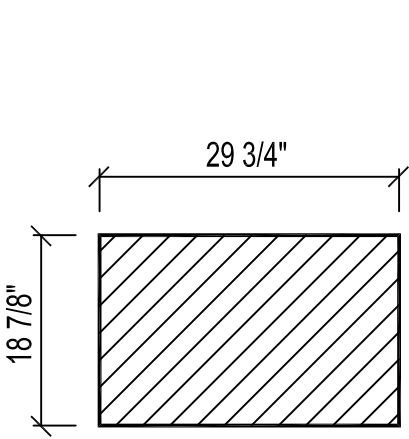
FL-280A

PEAK BOX TS-324 & VS-216 ROOF
(1/2:12 ROOF SLOPE)(SHADOW TRIM)



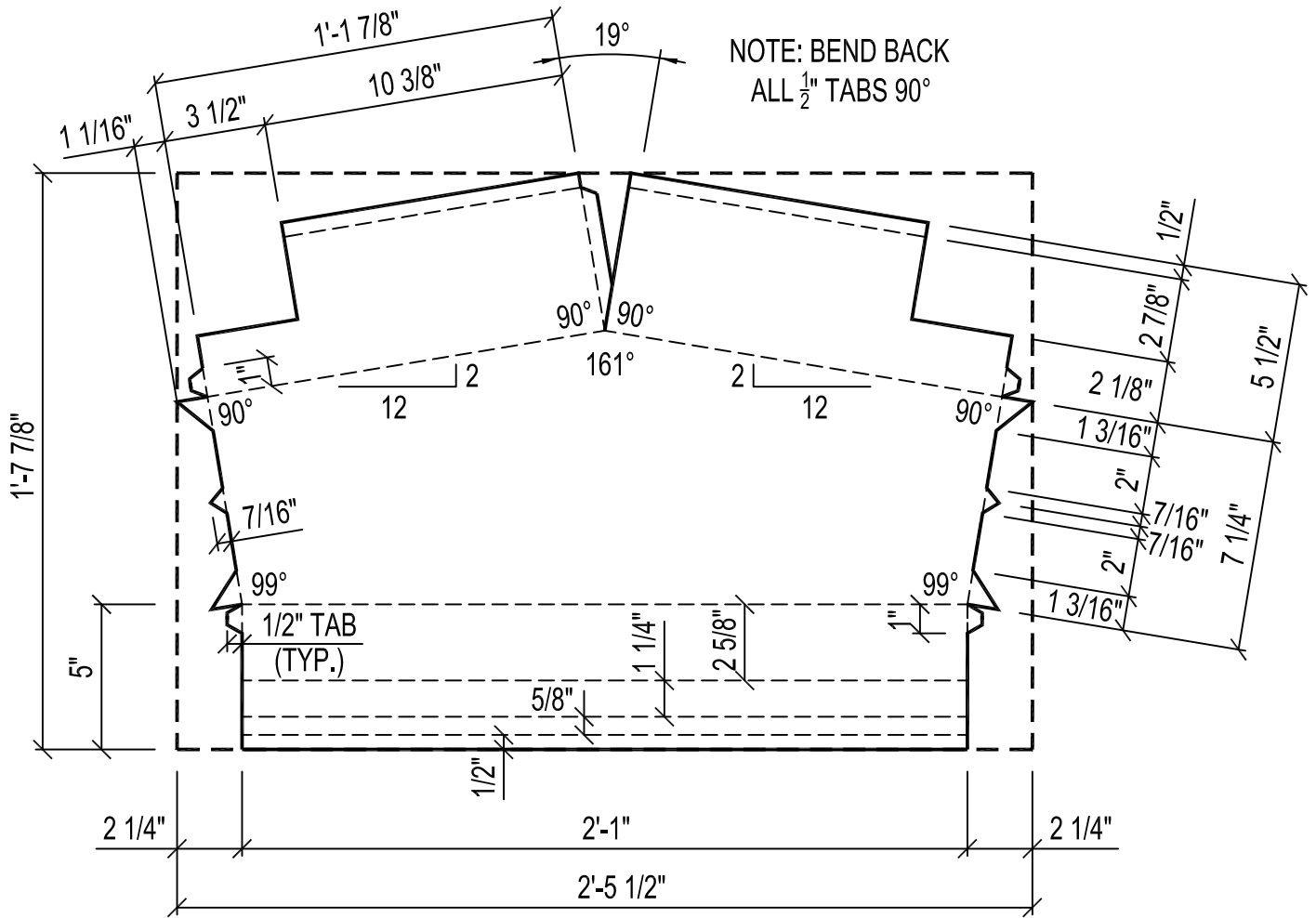
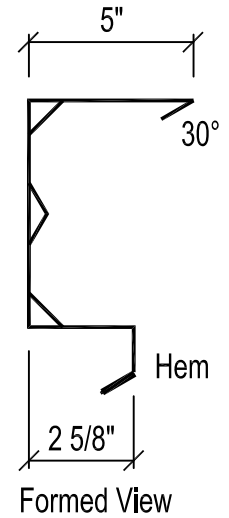
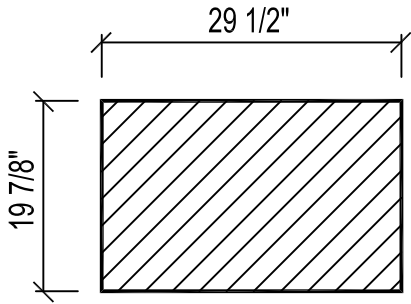
FL-280B

PEAK BOX TS-324 & VS-216 ROOF
(1:12 ROOF SLOPE)(SHADOW TRIM)



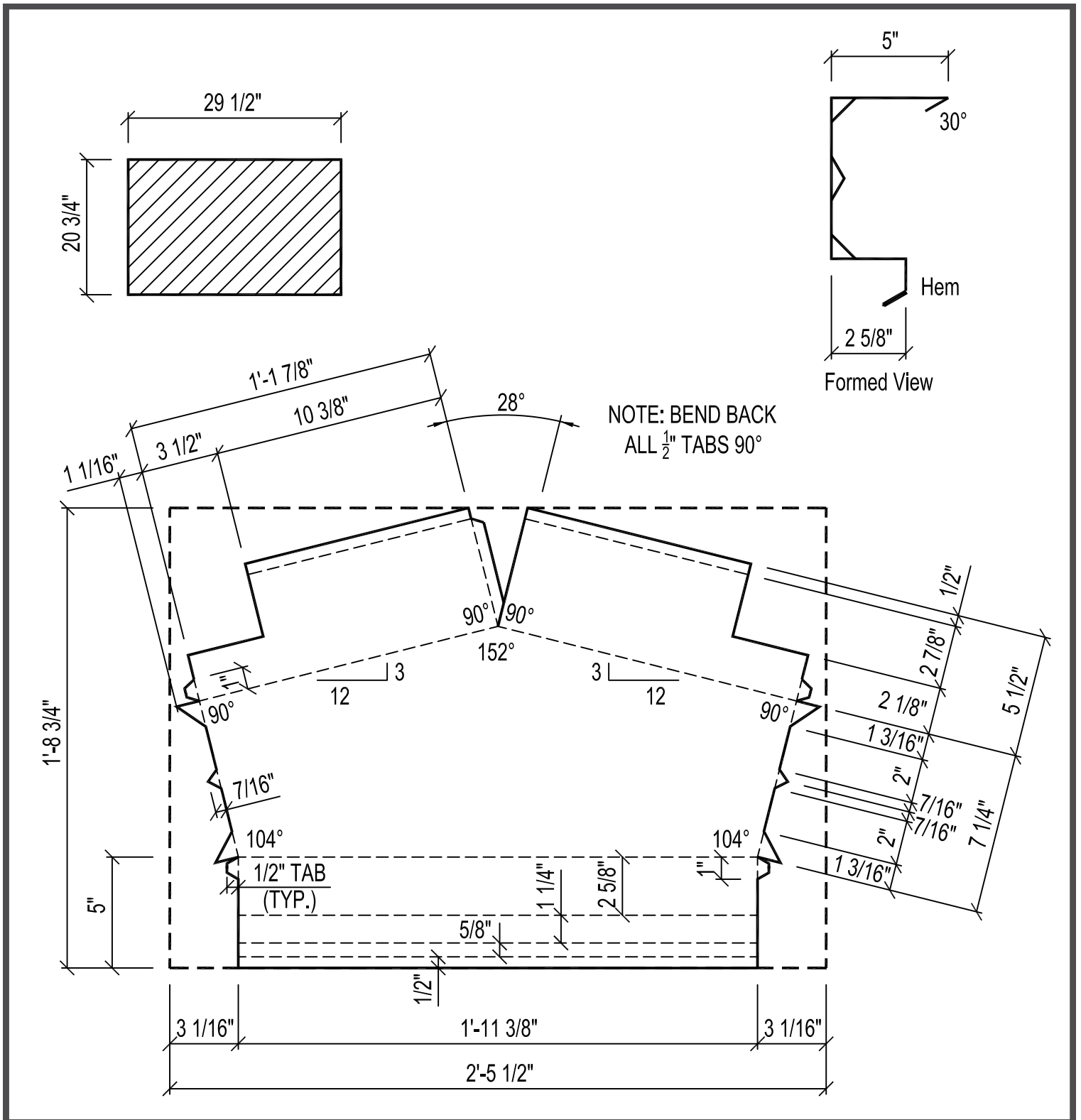
FL-280C

PEAK BOX TS-324 & VS-216 ROOF
(2:12 ROOF SLOPE)(SHADOW TRIM)



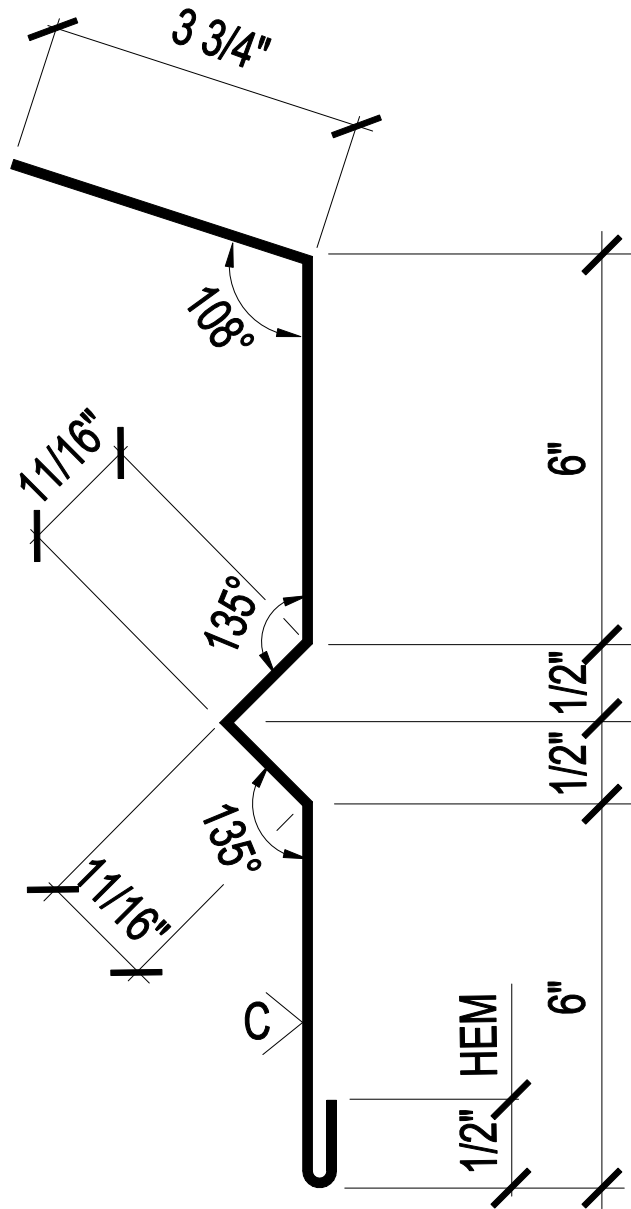
FL-280D

PEAK BOX TS-324 & VS-216 ROOF
(3:12 ROOF SLOPE)(SHADOW TRIM)



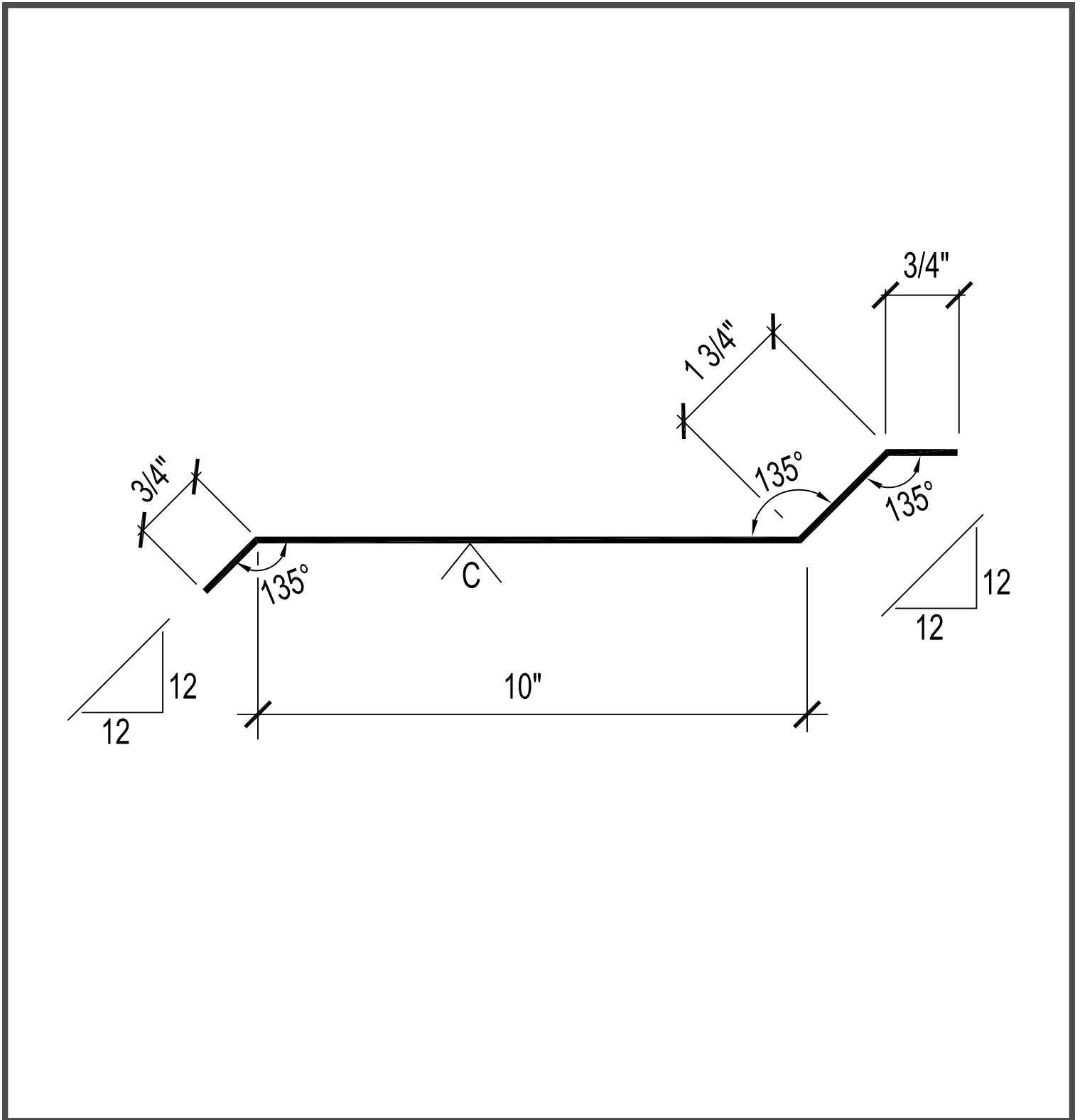
FL-285

PARTITION TRIM (ROOF) FOR 10" PURLINS
(ALL PANELS)



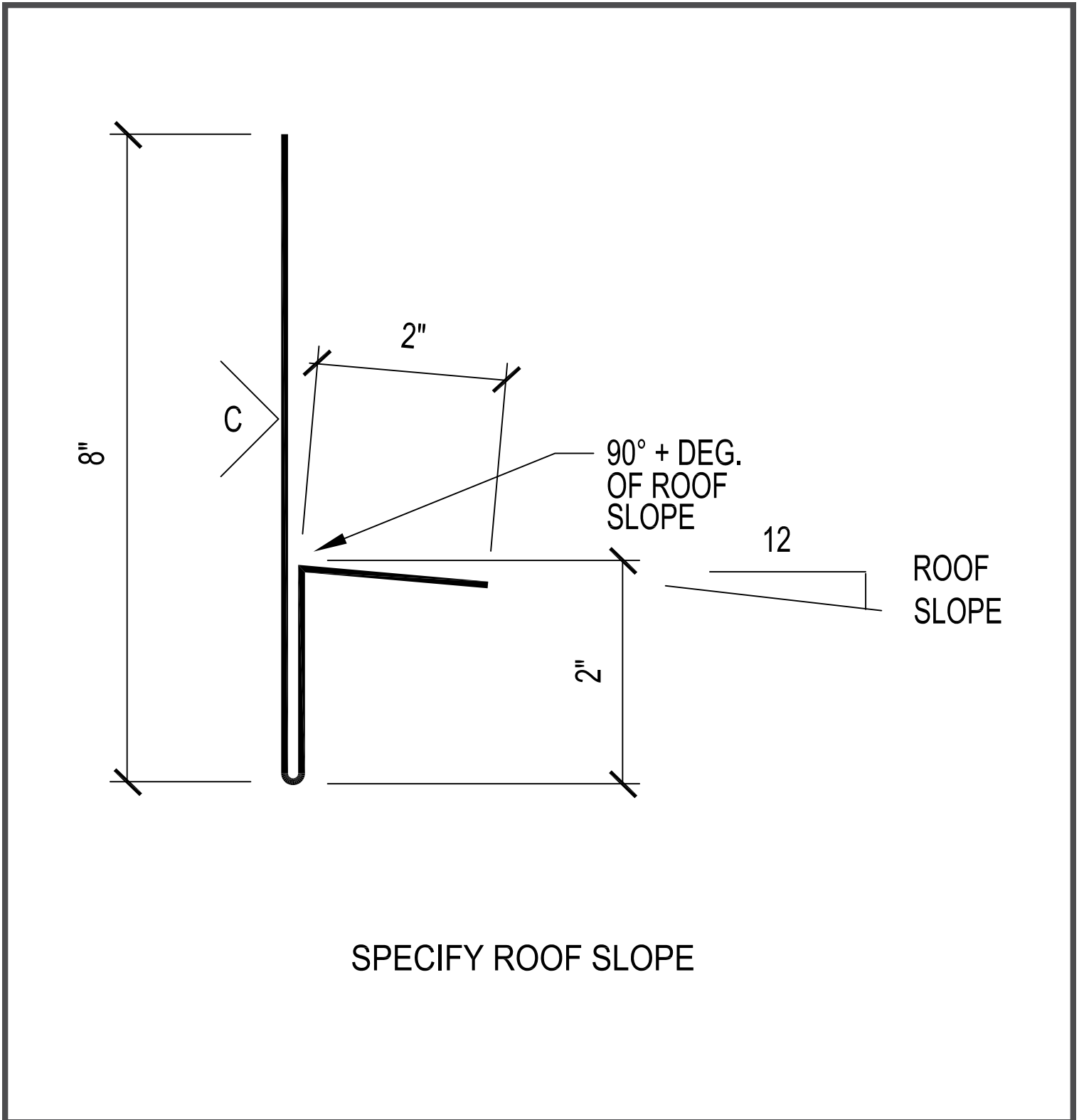
FL-286

PARTITION TRIM (WALL) 10" GIRTS
("PBR", "A" PANEL)



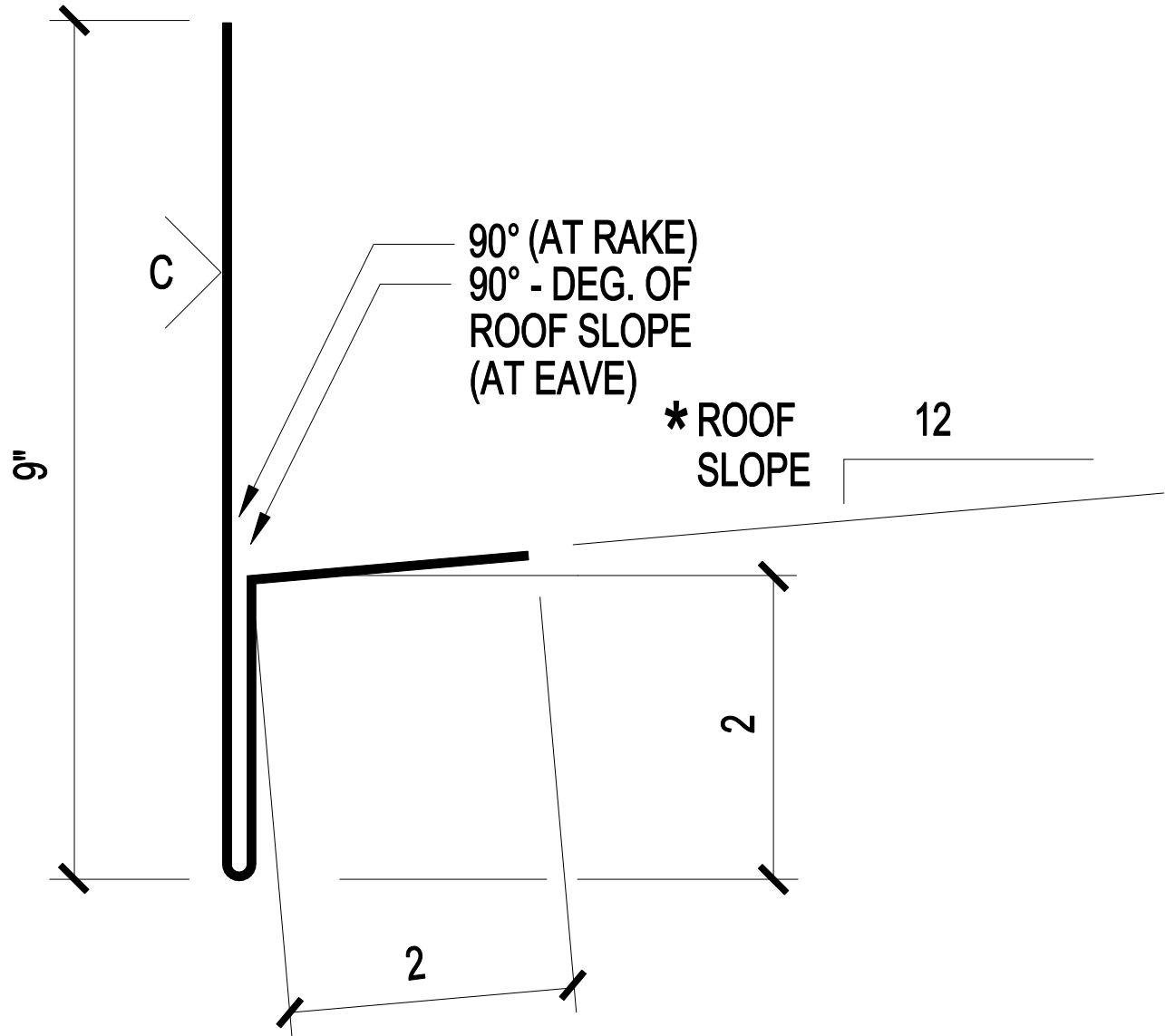
FL-290

HIGH SIDE MASONRY EAVE TRIM
(FOR 8" & 10" EAVE STRUTS)



FL-291

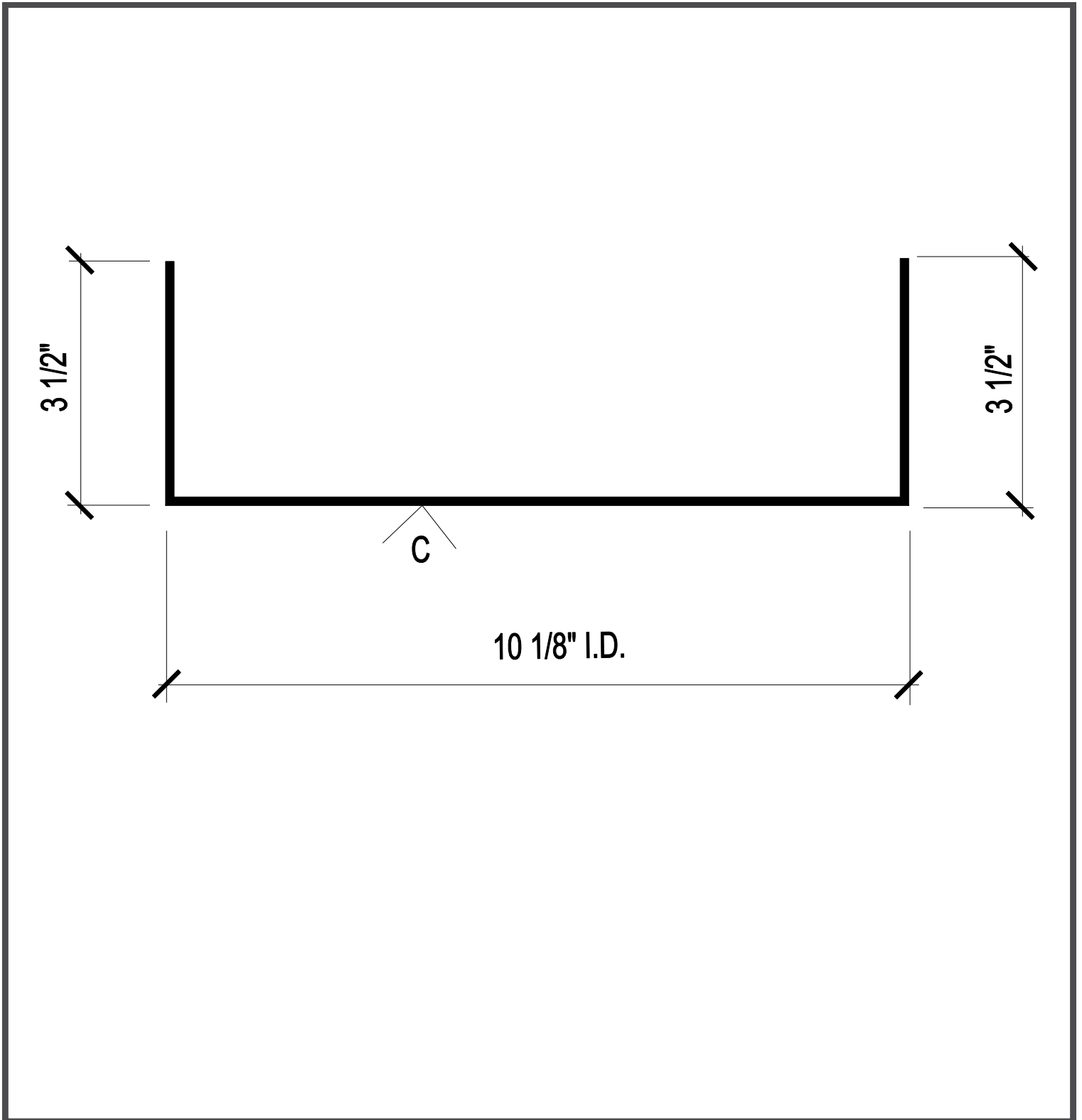
MASONRY RAKE/EAVE TRIM
(FOR 8" & 10" MEMBERS)



SPECIFY ROOF SLOPE

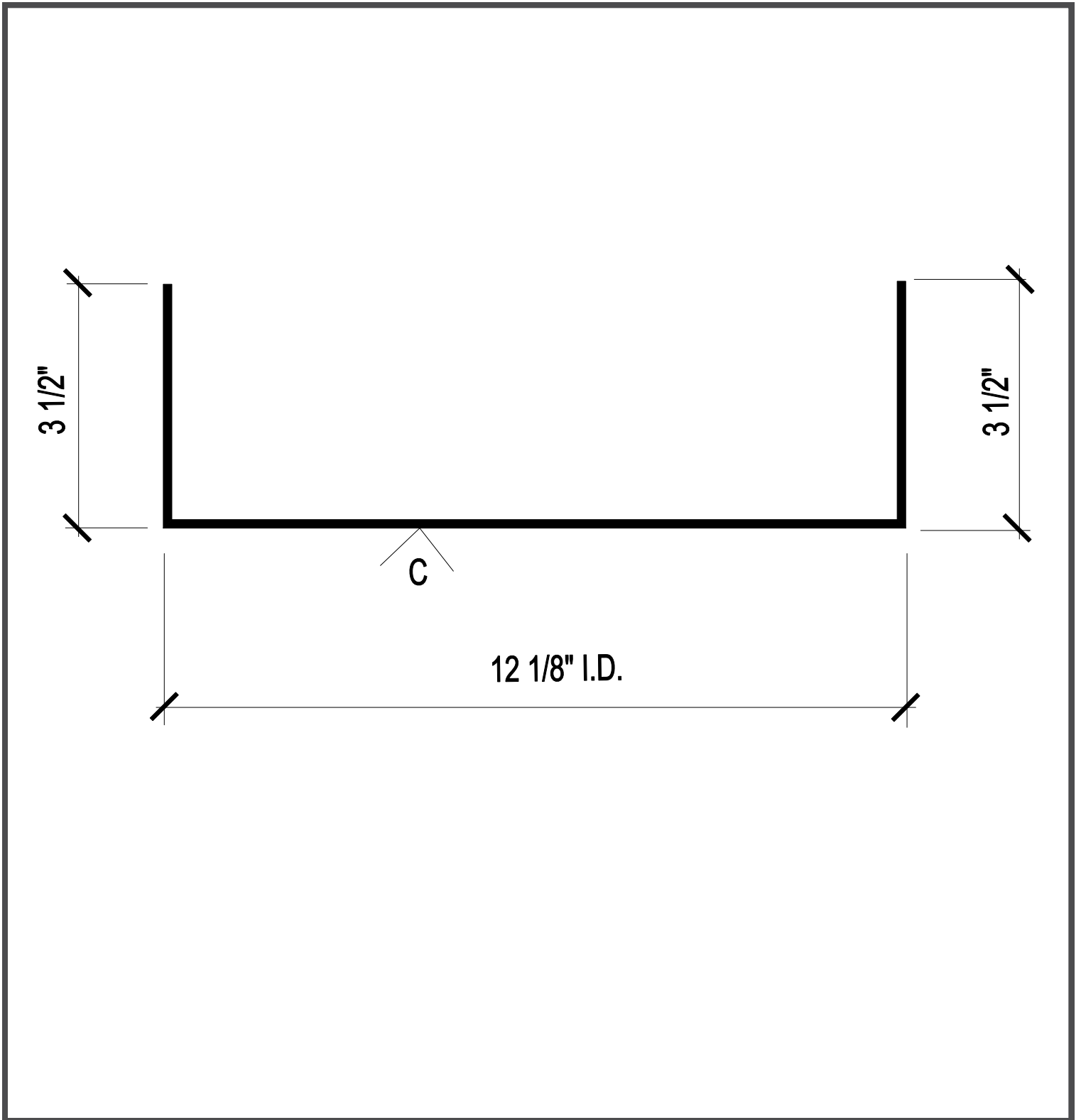
FL-300

CHANNEL CLOSURE FLASH
(F.O. COVER TRIM)(10" HEADER/JAMB)



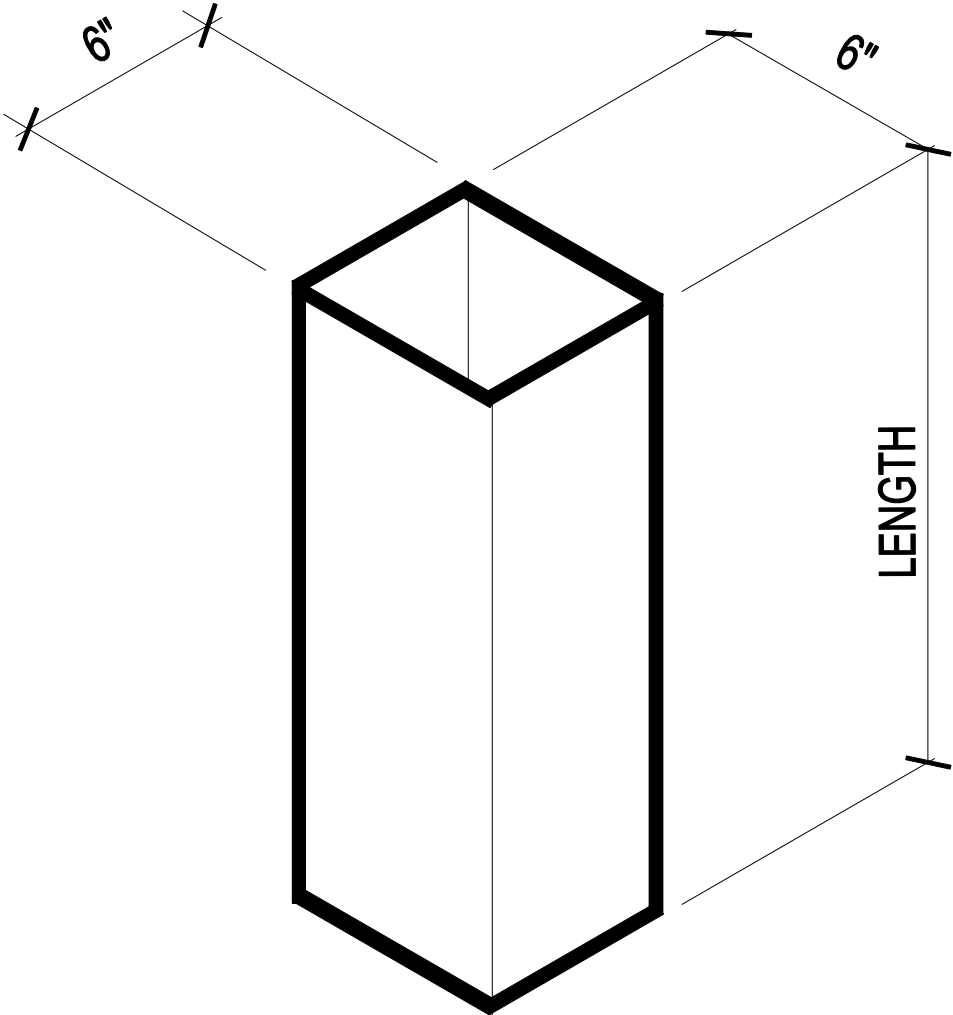
FL-301

CHANNEL CLOSURE FLASH
(F.O. COVER TRIM)(12" HEADER/JAMB)



FL-305

DOWNSPOUT (STRAIGHT)

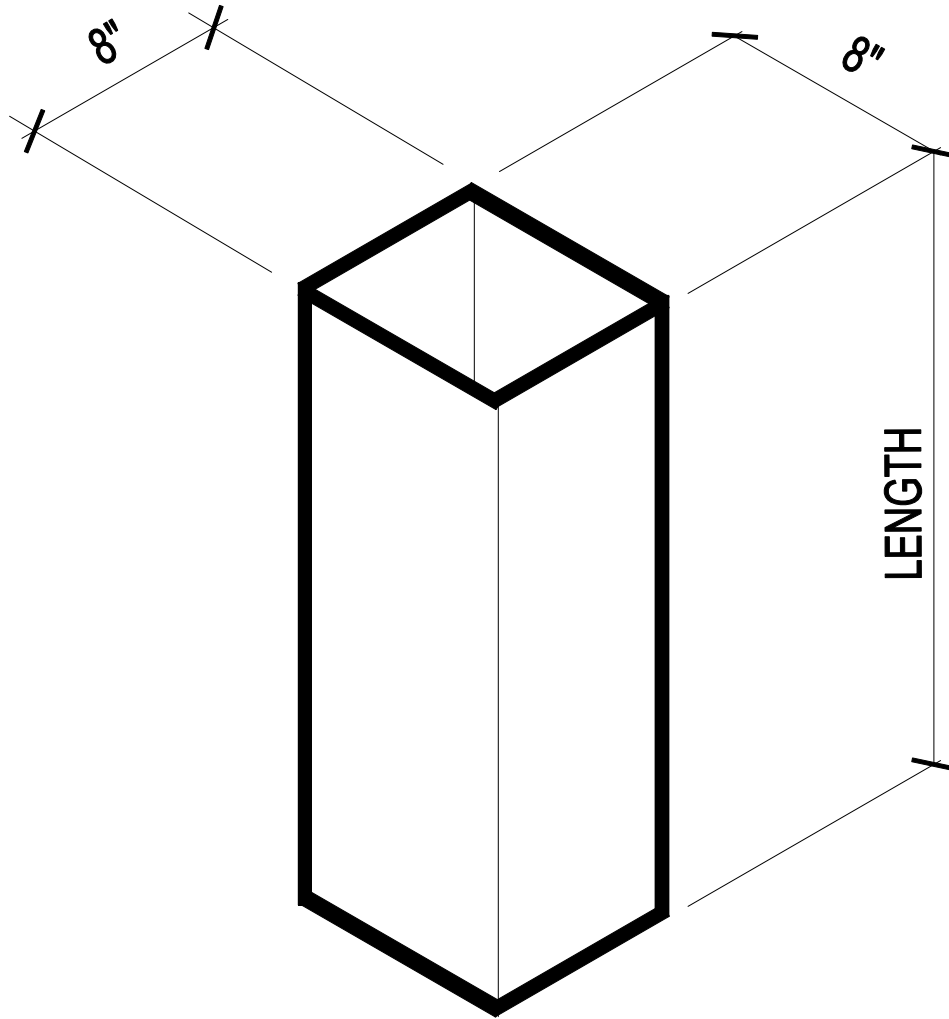


SPECIFY LENGTH

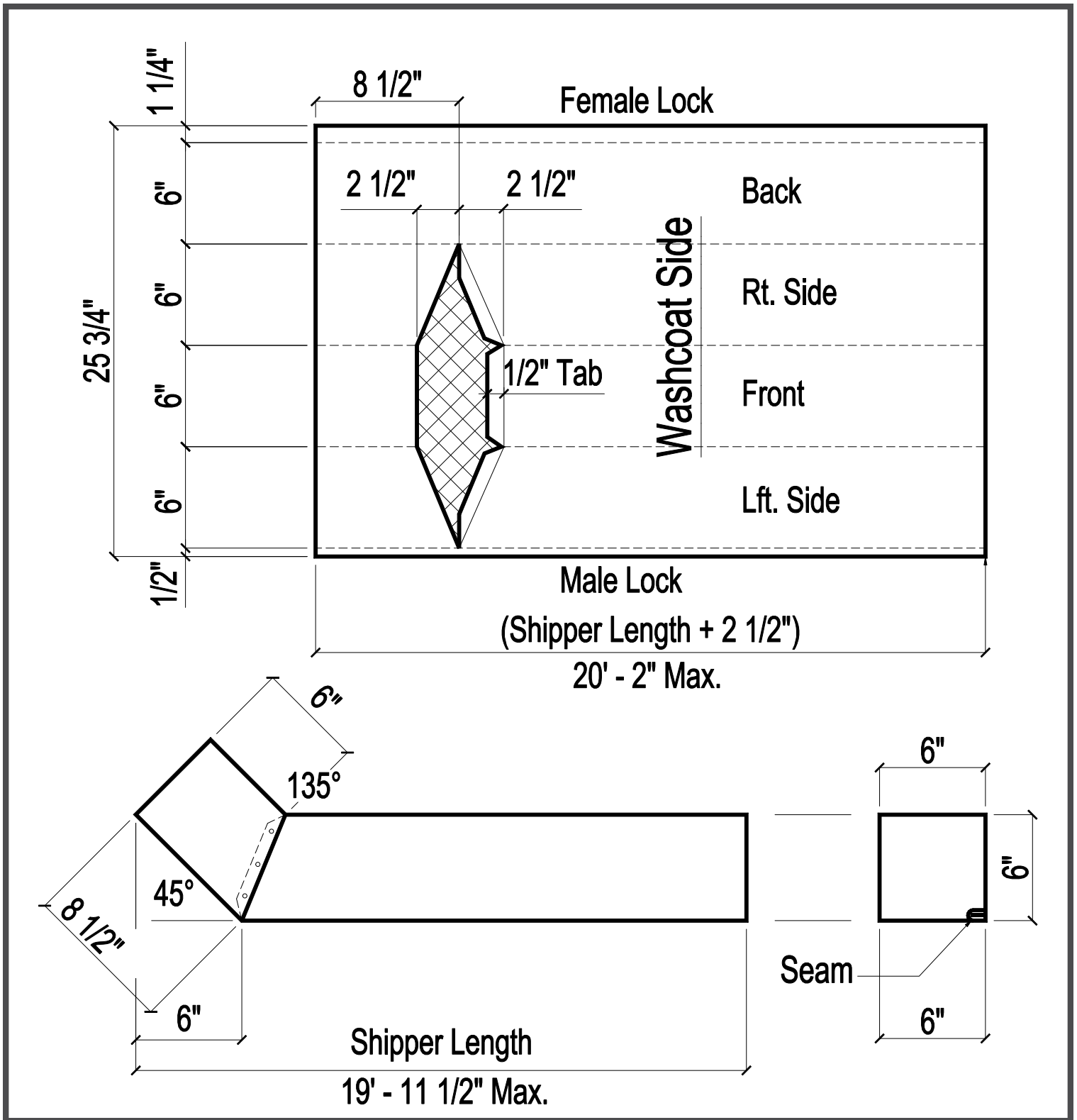


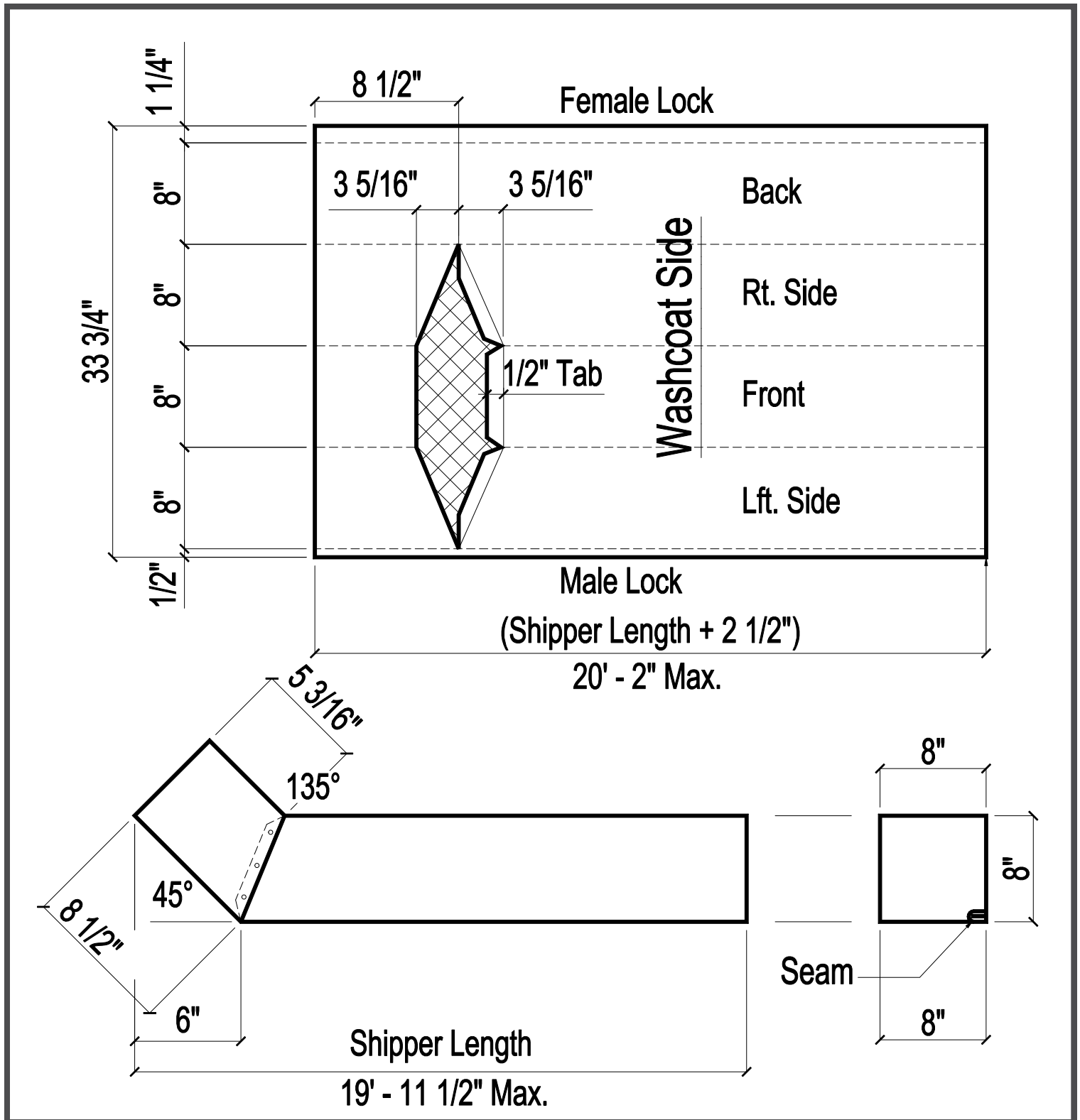
FL-306

DOWNSPOUT (STRAIGHT)



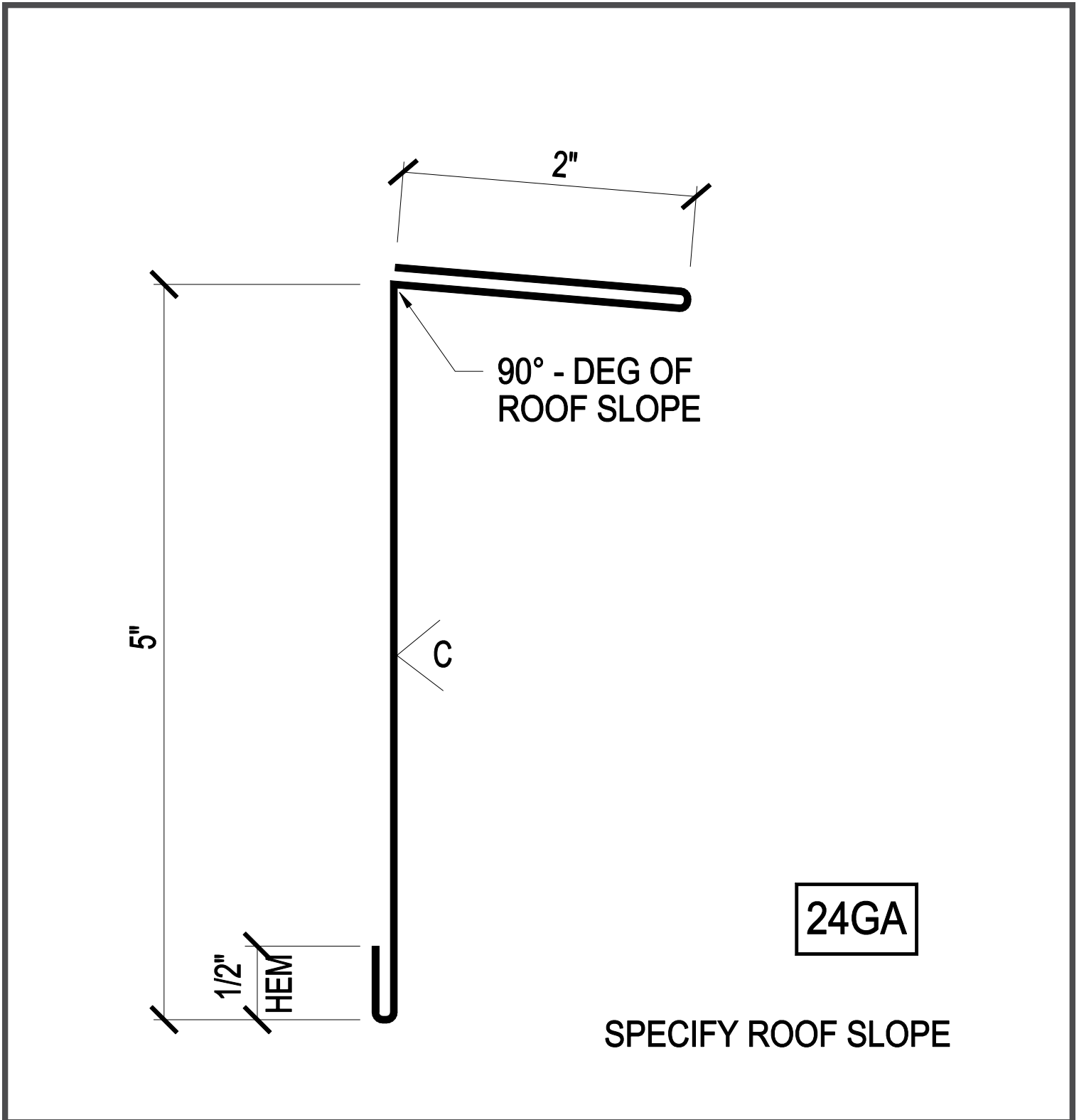
SPECIFY LENGTH





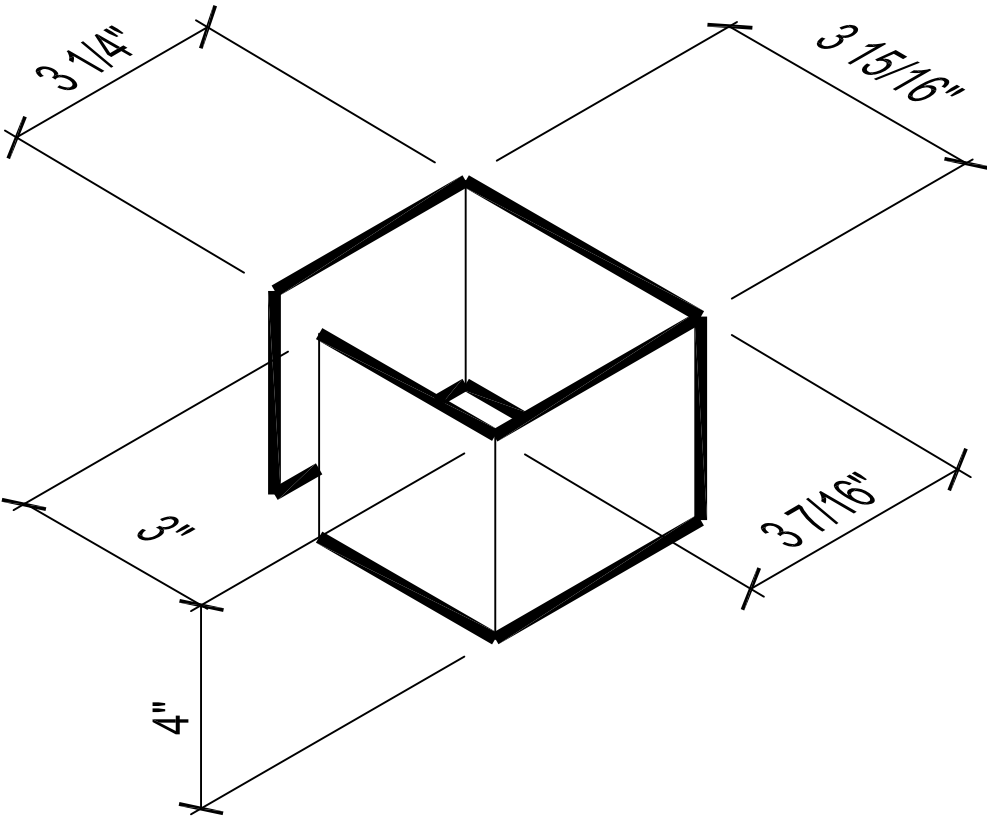
FL-310

EAVE CLOSURE LOW EAVE



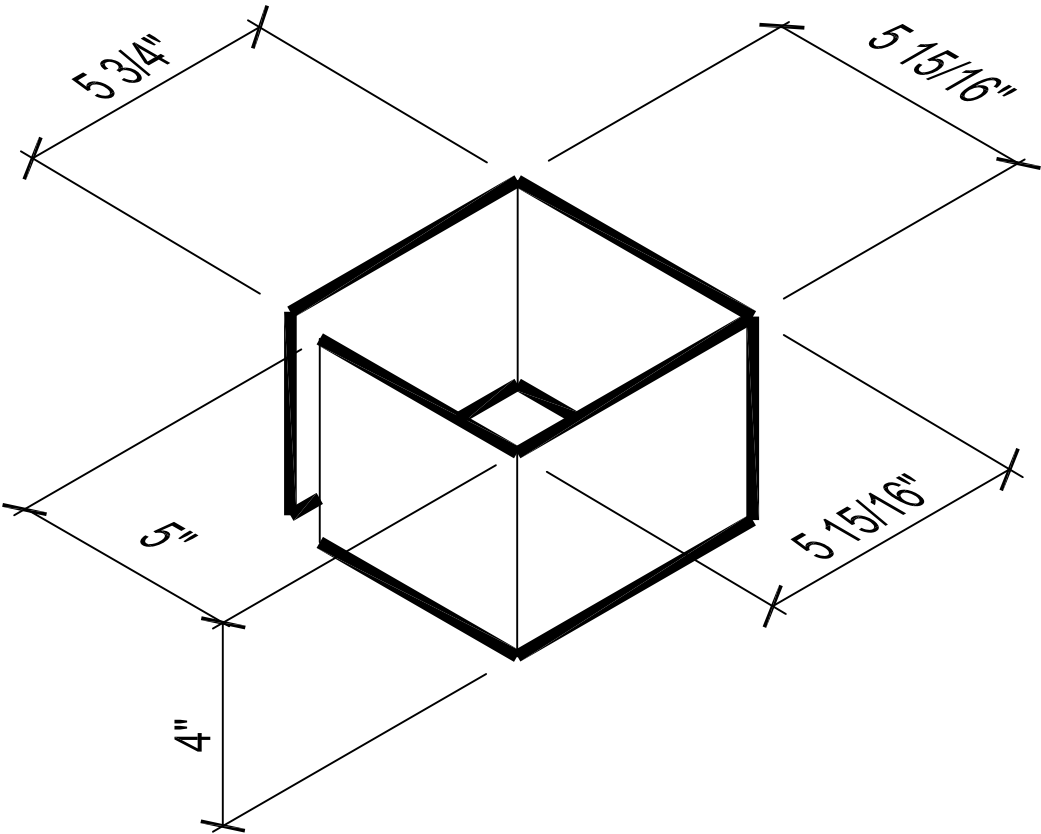
FL-311

DOWNPOUT SPLICE
(FOR 4" DOWNPOUT)



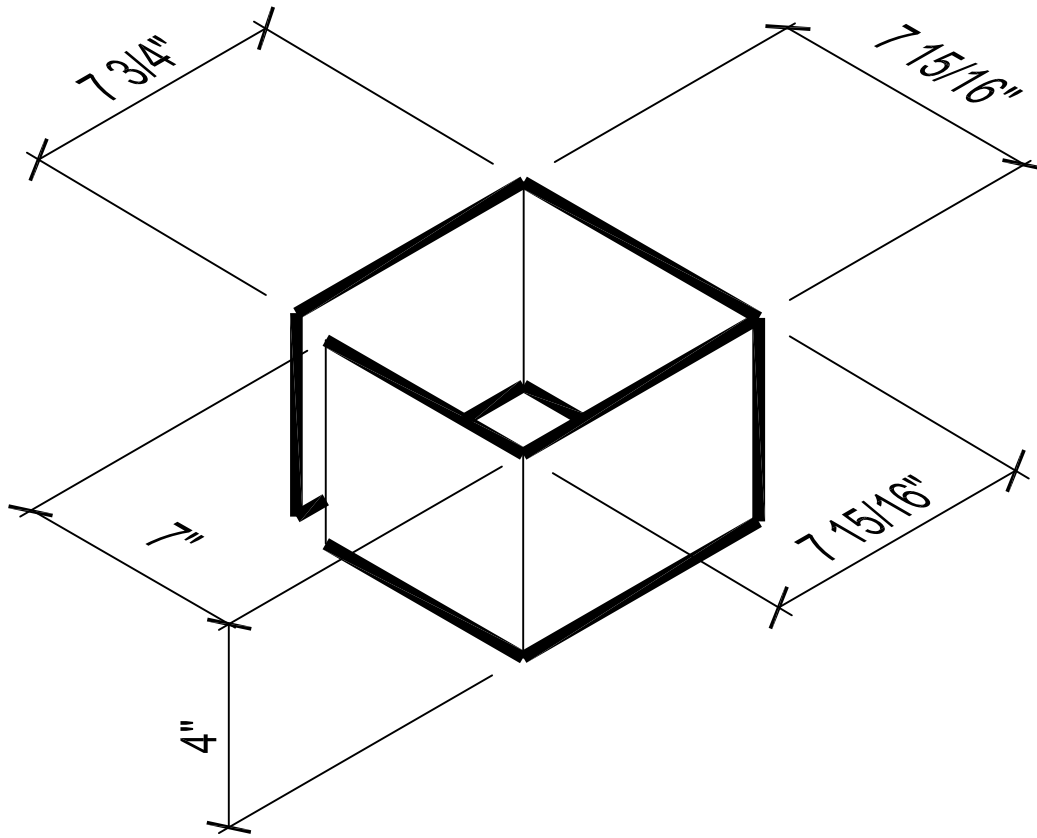
FL-312

DOWNPOUT SPLICE
(FOR 6" DOWNPOUT)



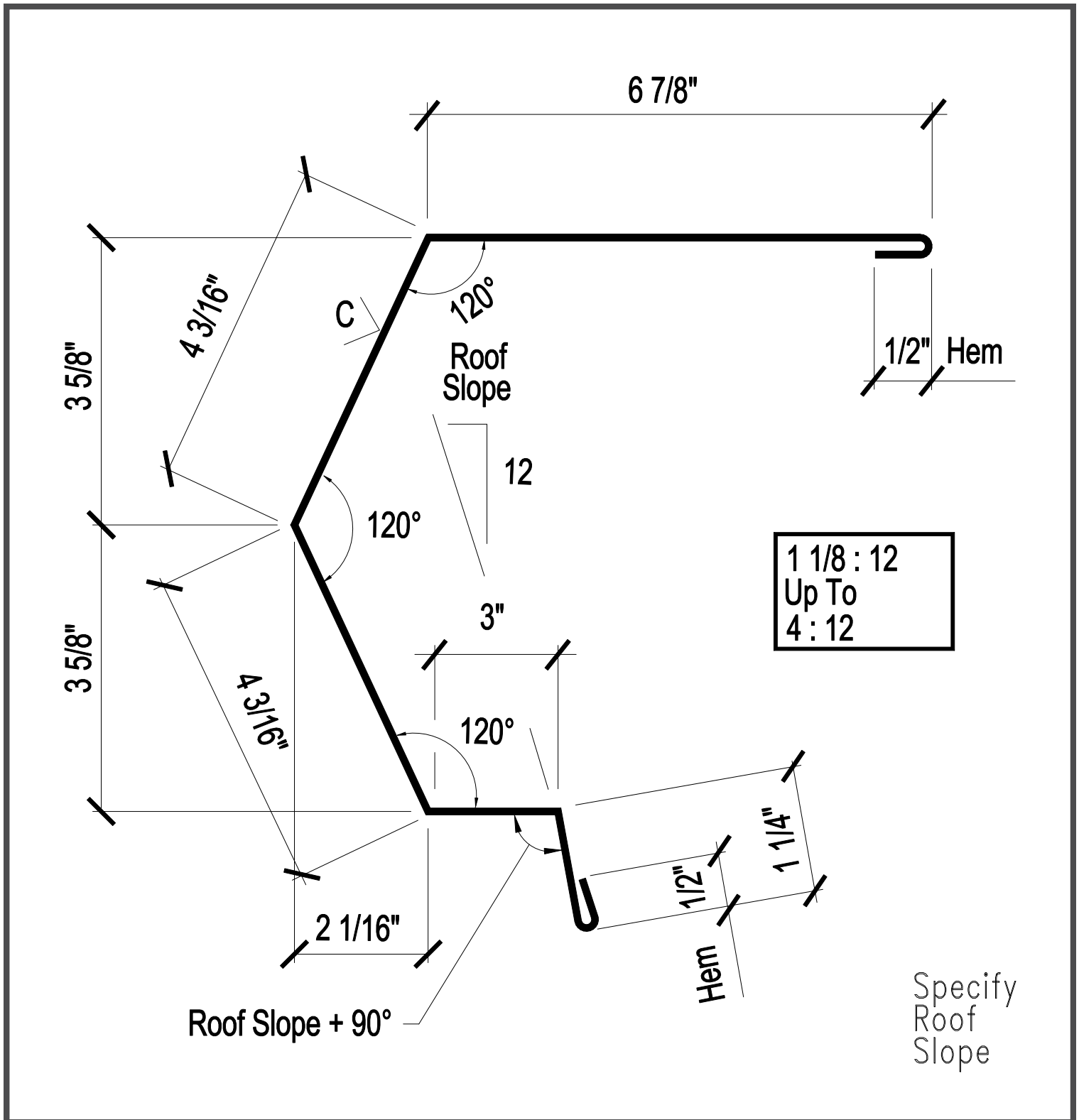
FL-313

DOWNSPOUT SPLICE
(FOR 8" DOWNSPOUT)



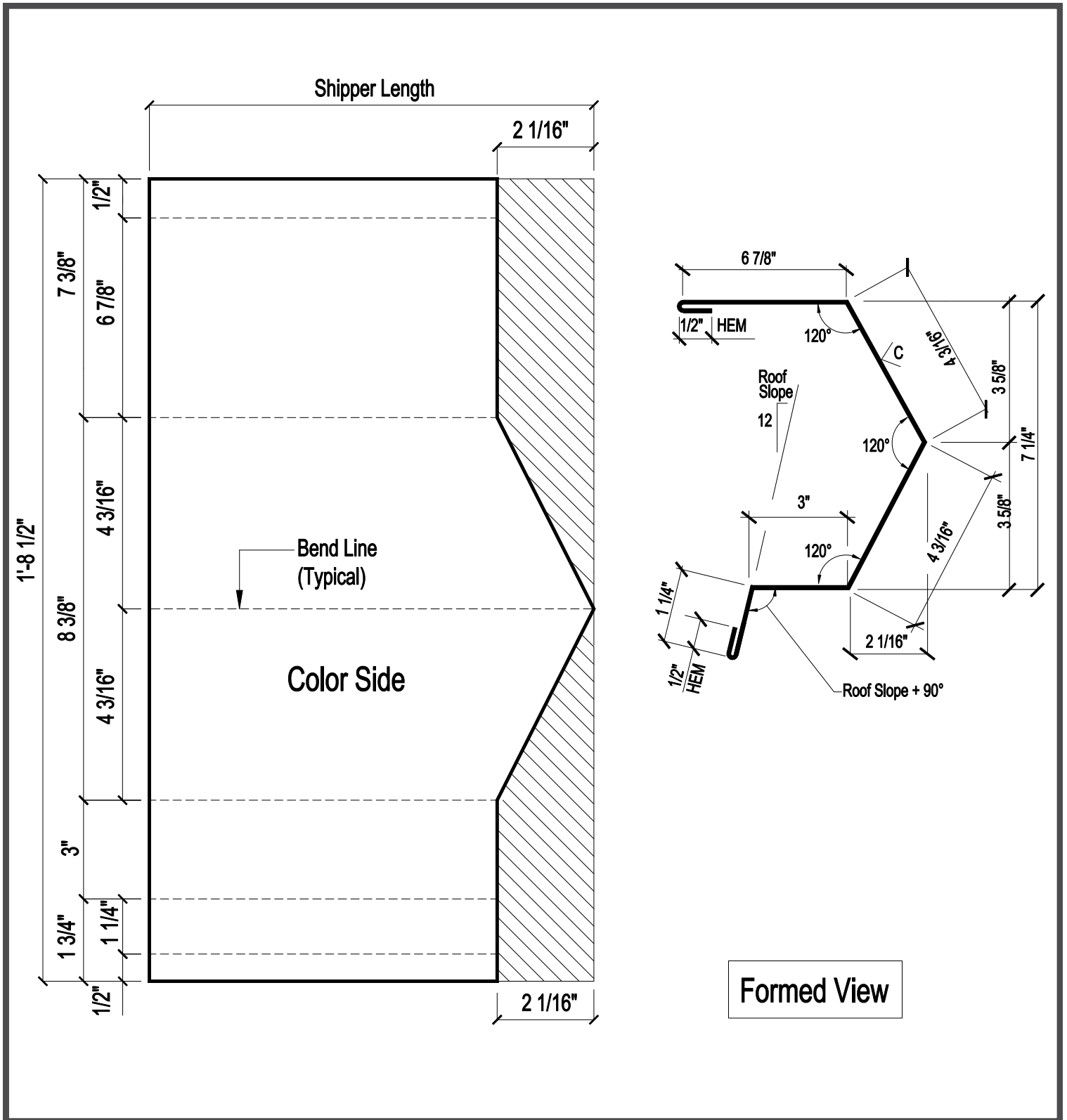
FL-315

HIGH SIDE EAVE TRIM ("PBR" PANEL)



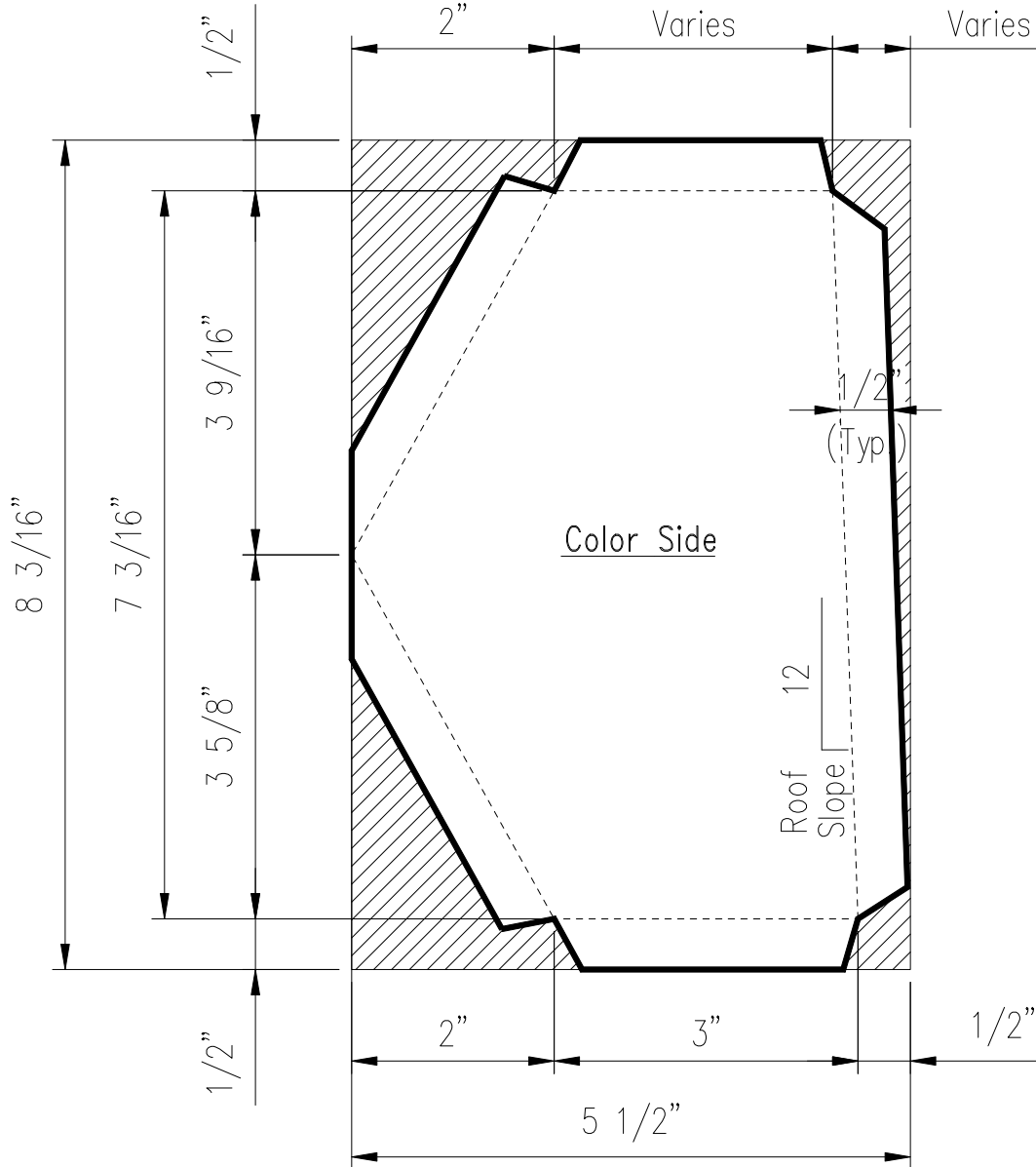
FL-315 R
FL-315 L

HIGH SIDE EAVE TRIM ("PBR" PANEL)



FL-316 R
FL-316 L

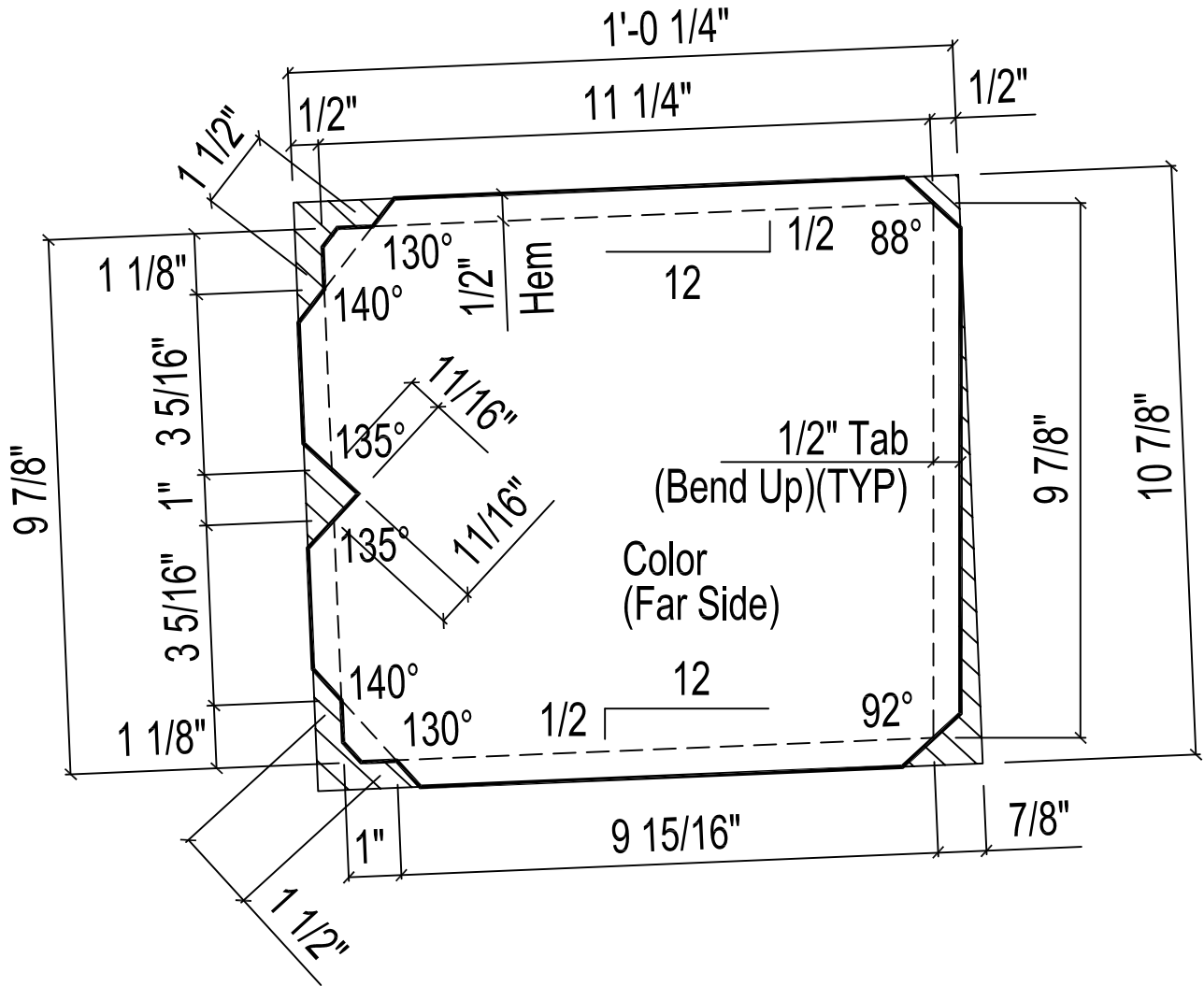
HIGH SIDE END CAP ("PBR" PANEL)



Specify Roof Slope

FL-320 L
FL-320 R

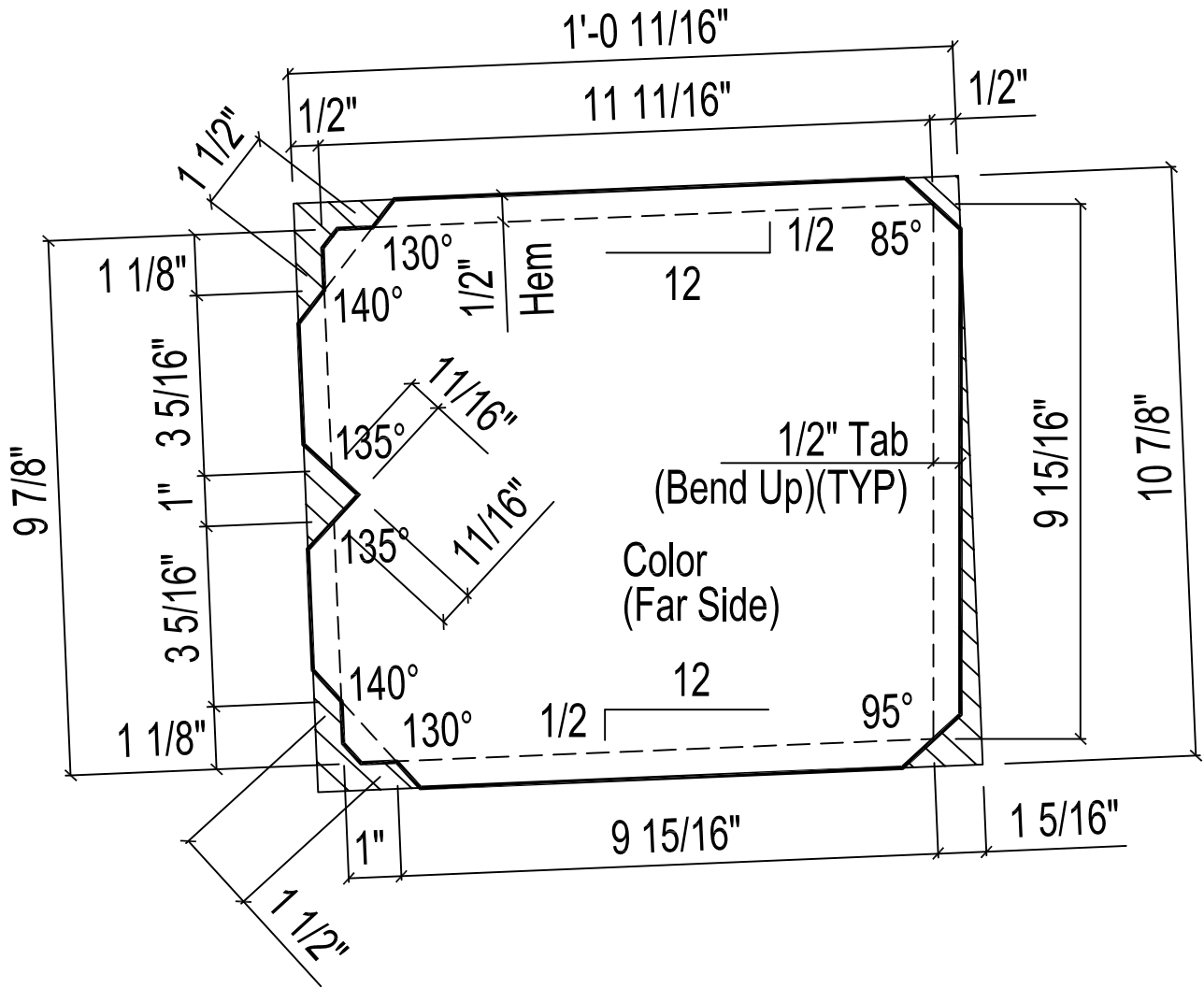
10" X 10" GUTTER END CAP (SHADOW)
(FOR OVERSIZE STYLE GUTTER)



1/2 : 12
Roof Slope

FL-321 L
FL-321 R

10" X 10" GUTTER END CAP (SHADOW)
(FOR OVERSIZE STYLE GUTTER)

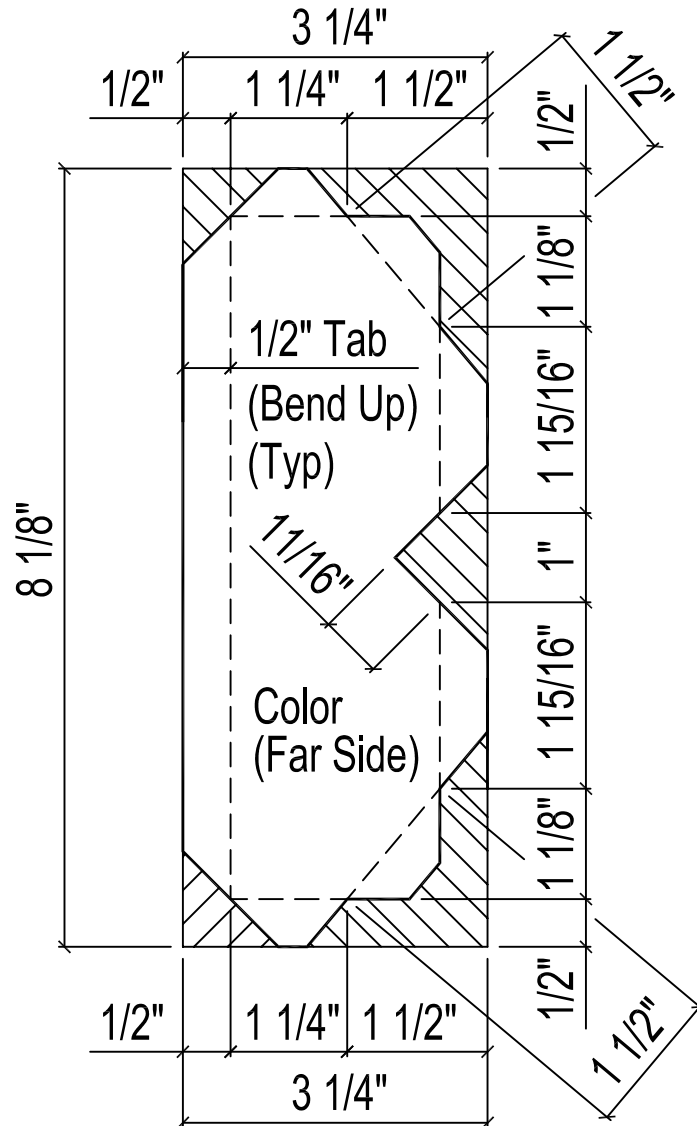


1 : 12
Roof Slope



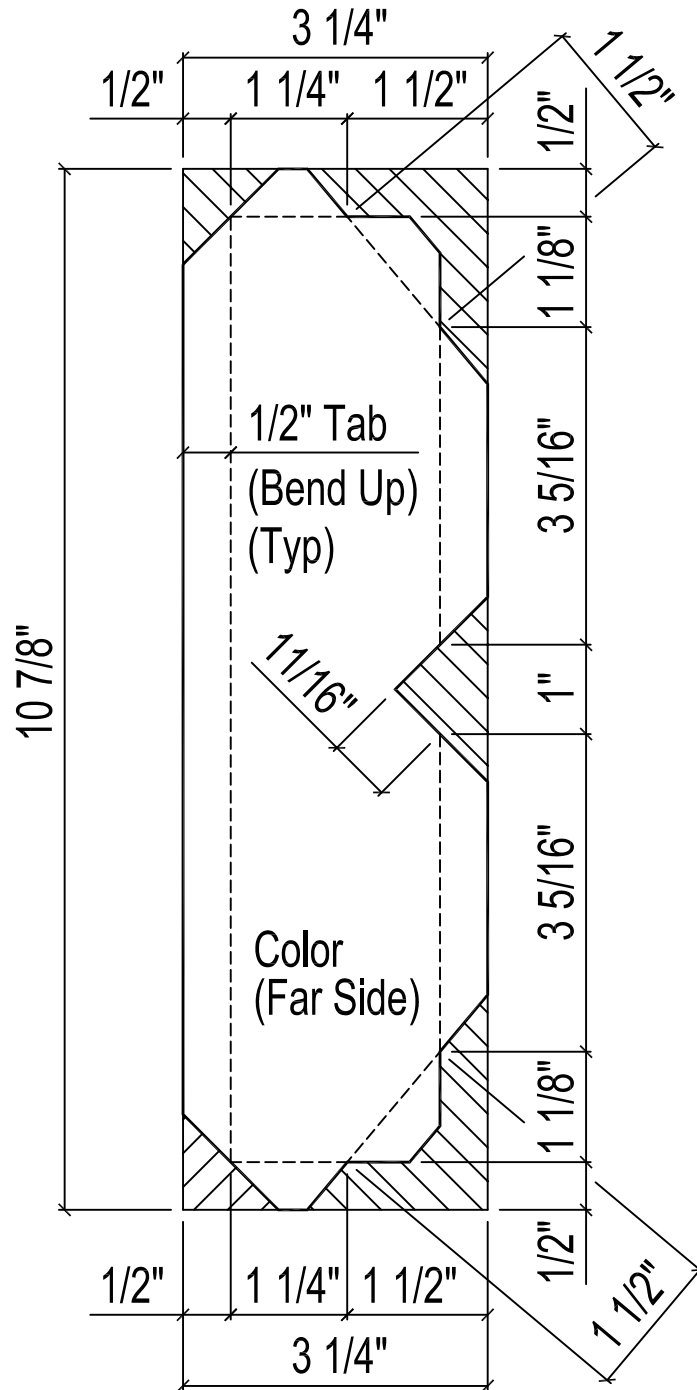
FL-325

RAKE END CAP
("PBR" PANEL)(SHADOW)



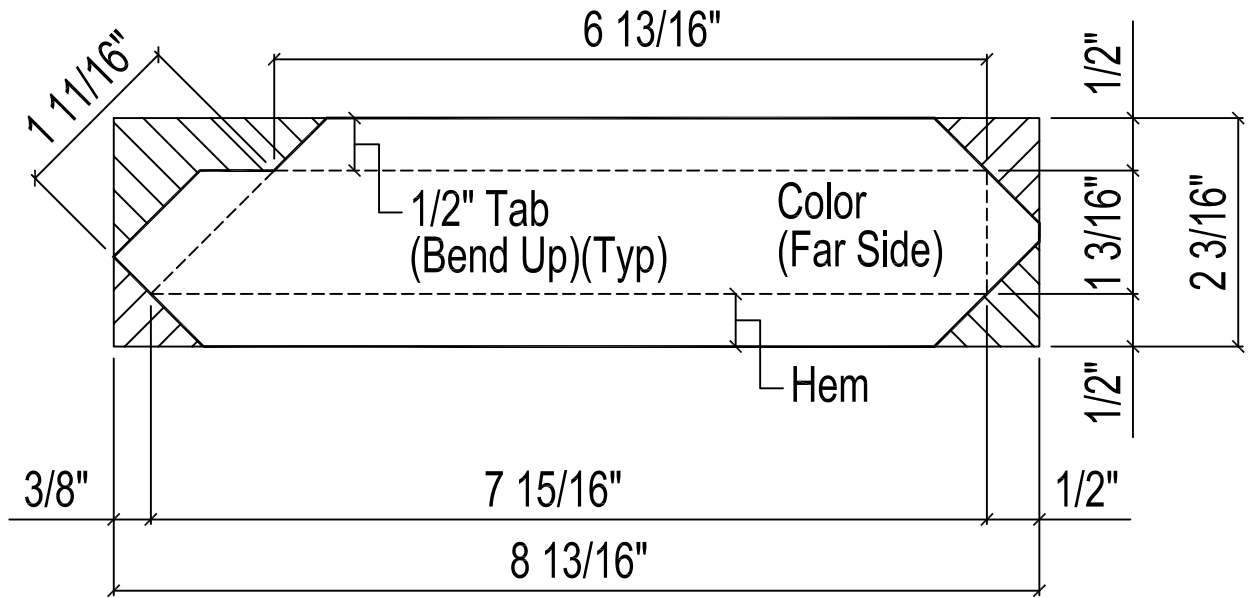
FL-326

10" RAKE TRIM END CAP
("PBR" FOR NORTHERN SHADOW STYLE)



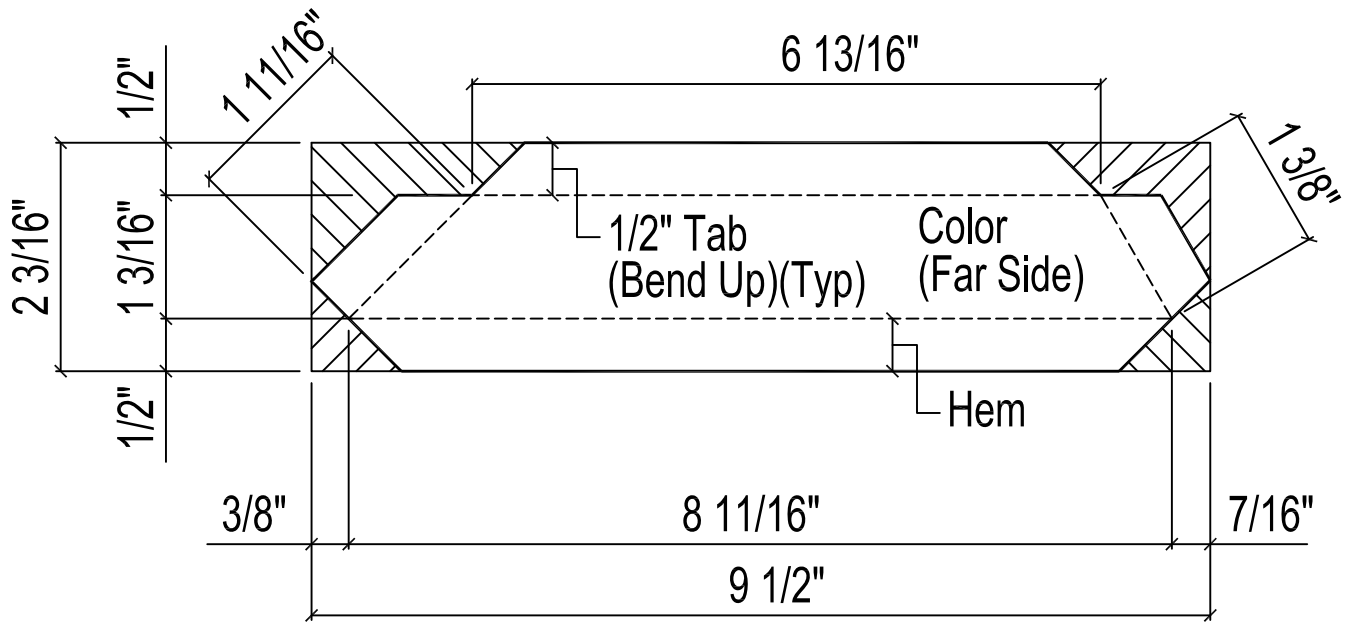
FL-327 R
FL-327 L

"PBR" RAKE TRIM END CAP
(FOR NORTHERN STYLE)



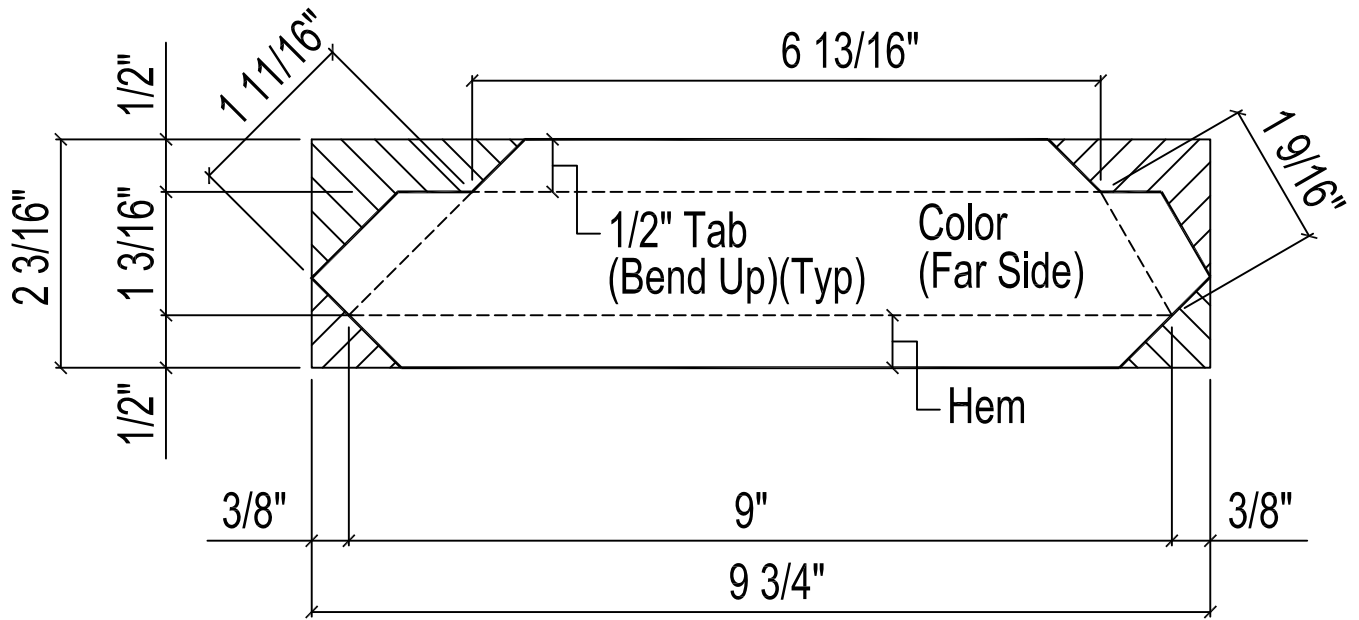
FL-328 R
FL-328 L

"PBR" RAKE TRIM END CAP
(FOR LOW SIDE EAVE TRIM MITERED)



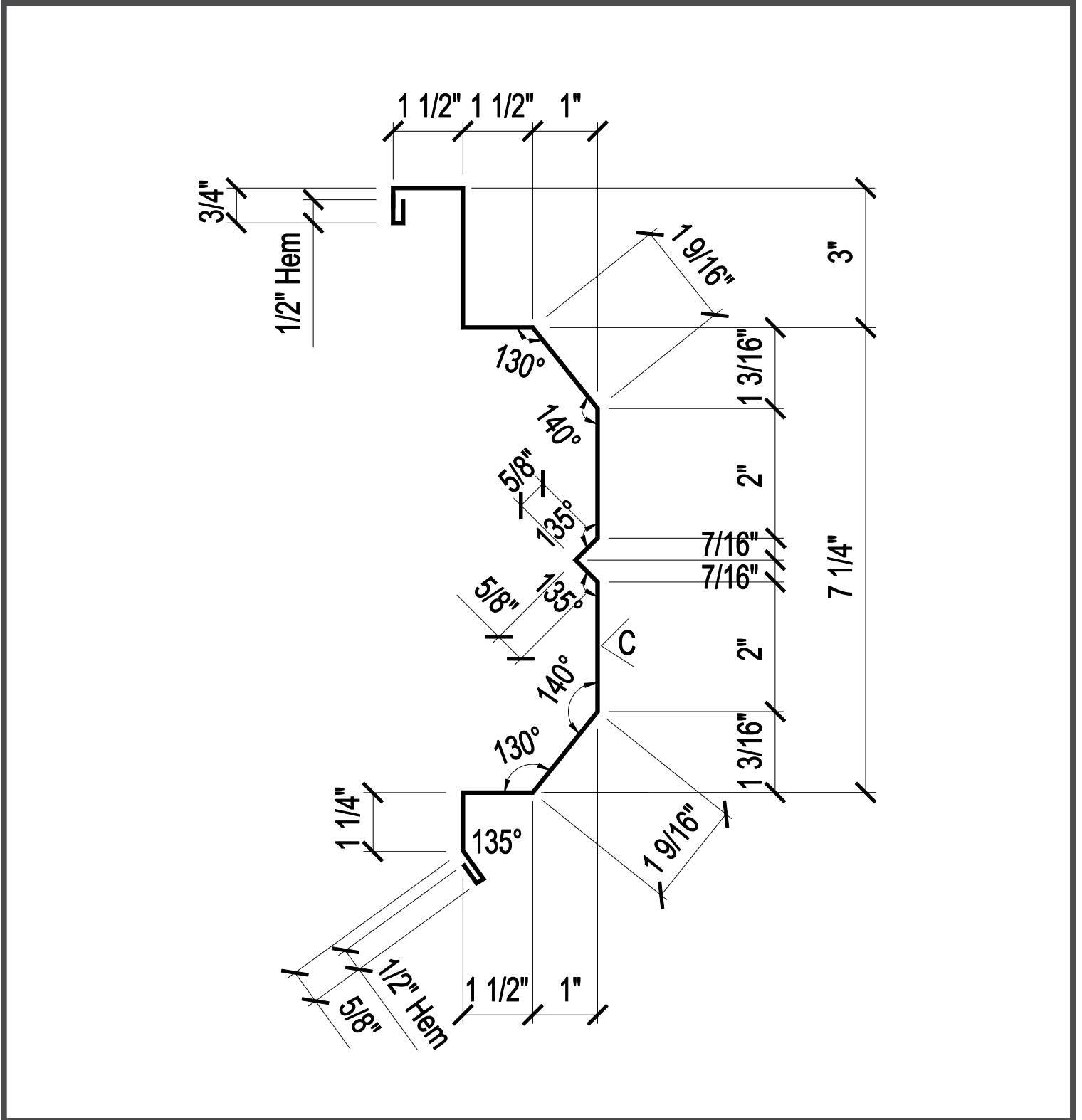
FL-329 R
FL-329 L

"PBR" SHADOW RAKE TRIM END CAP
(FOR LOW SIDE EAVE TRIM MITERED)



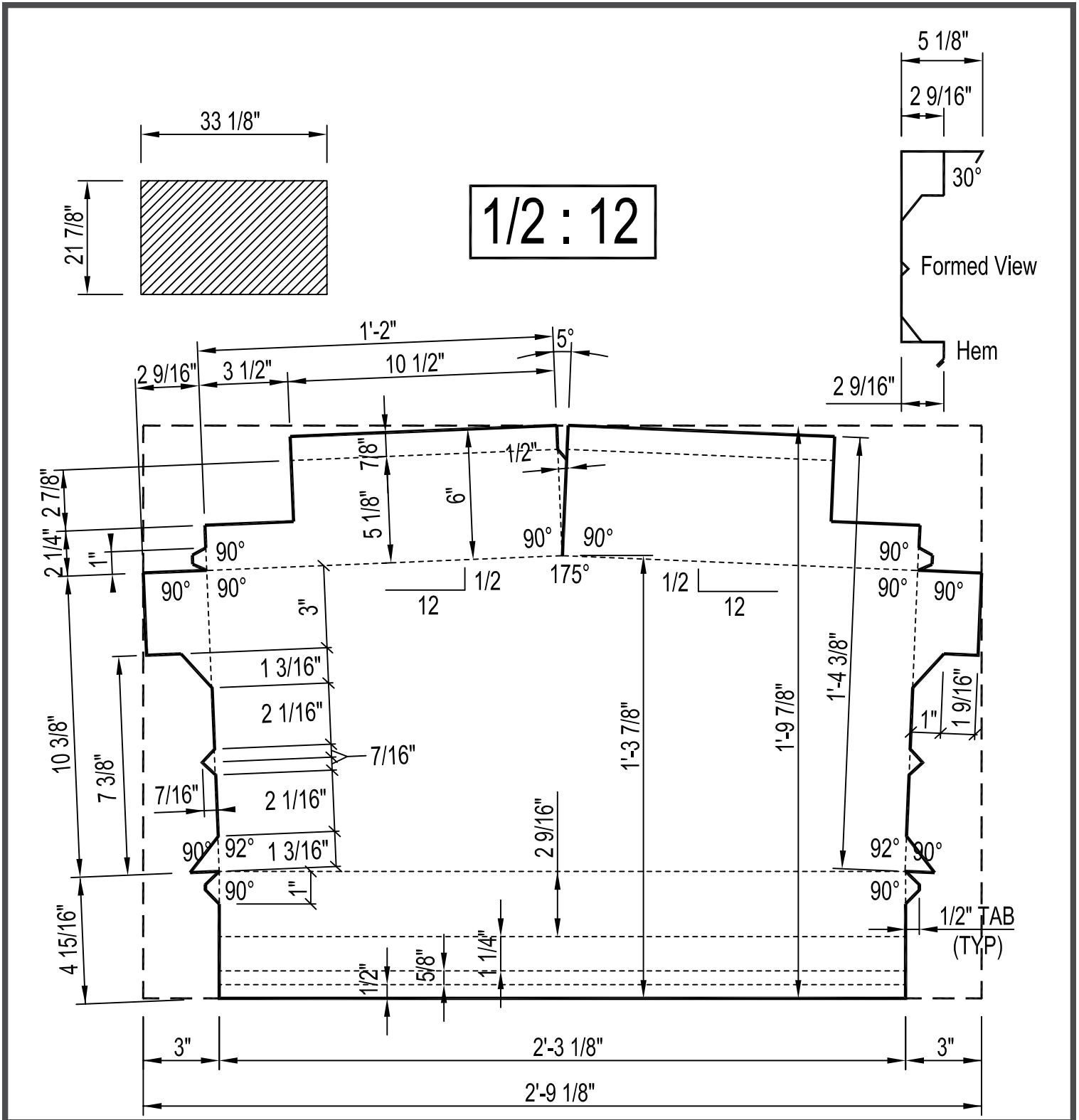
FL-330

RAKE TRIM
(NORTHERN SHADOW STYLE- TS-324 ROOF)



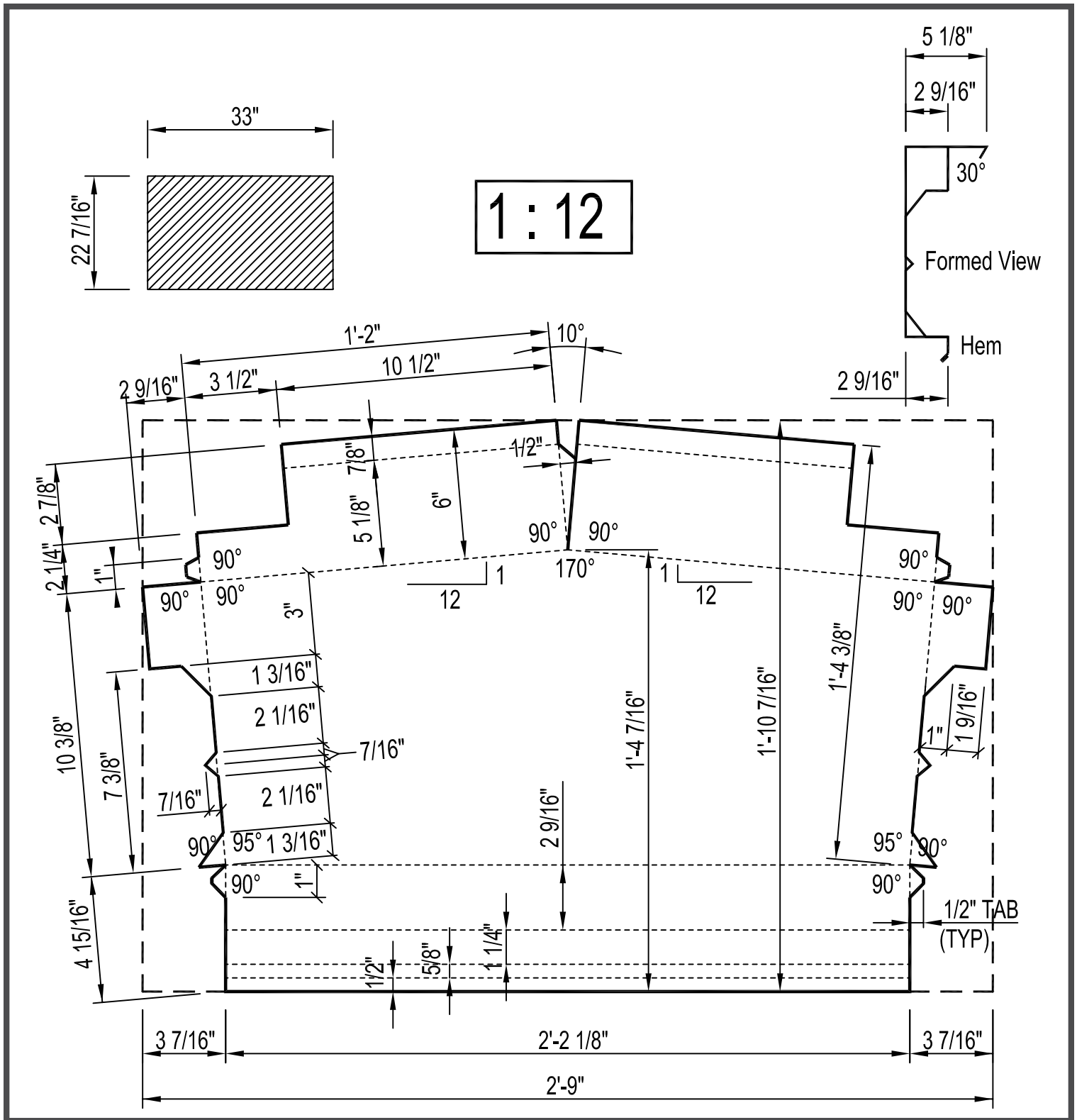
FL-331A

7 1/4" EXPANSION PEAK BOX
(NORTHERN SHADOW STYLE- TS-324)



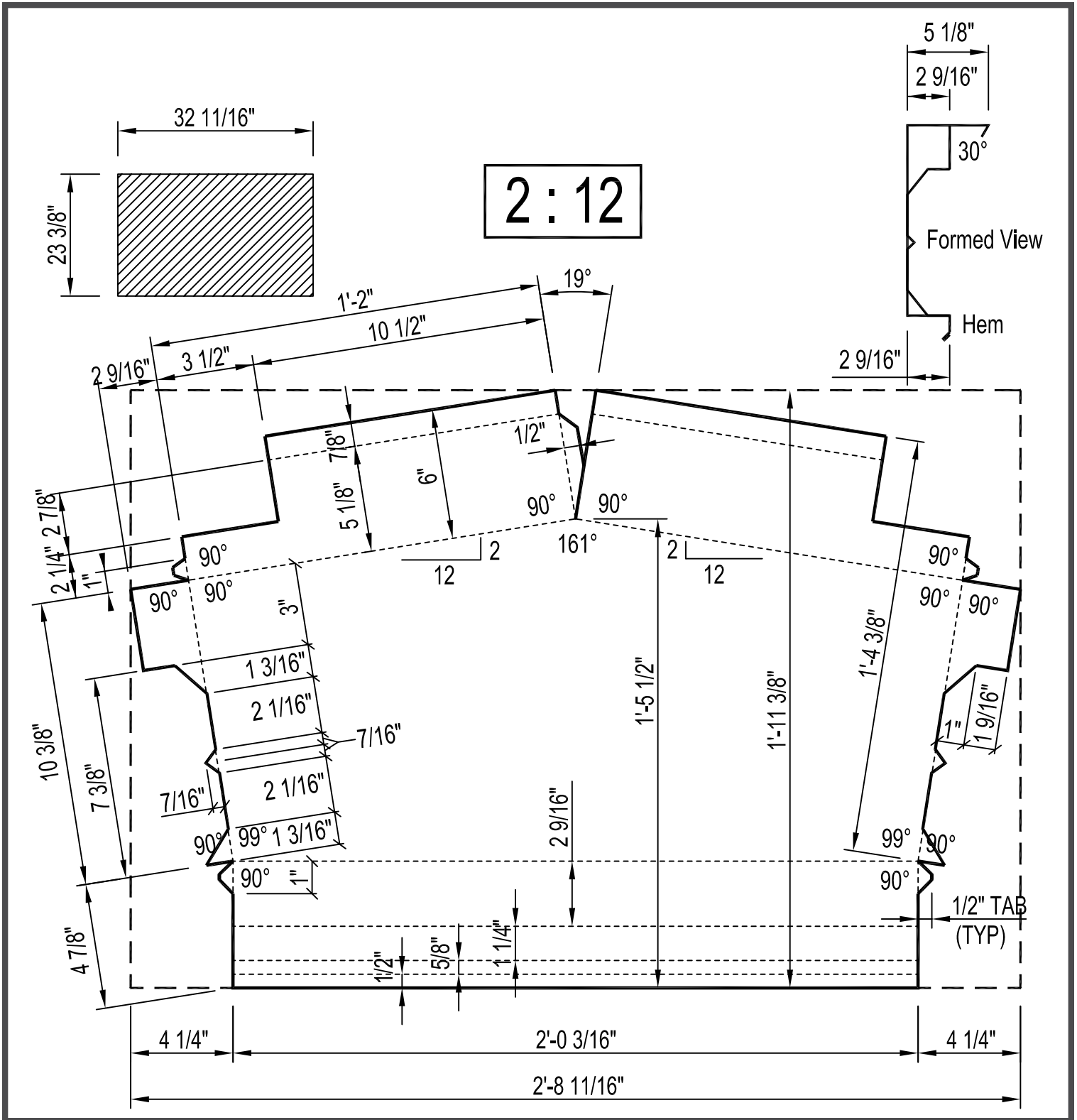
FL-331B

7 1/4" EXPANSION PEAK BOX (NORTHERN SHADOW STYLE- TS-324)



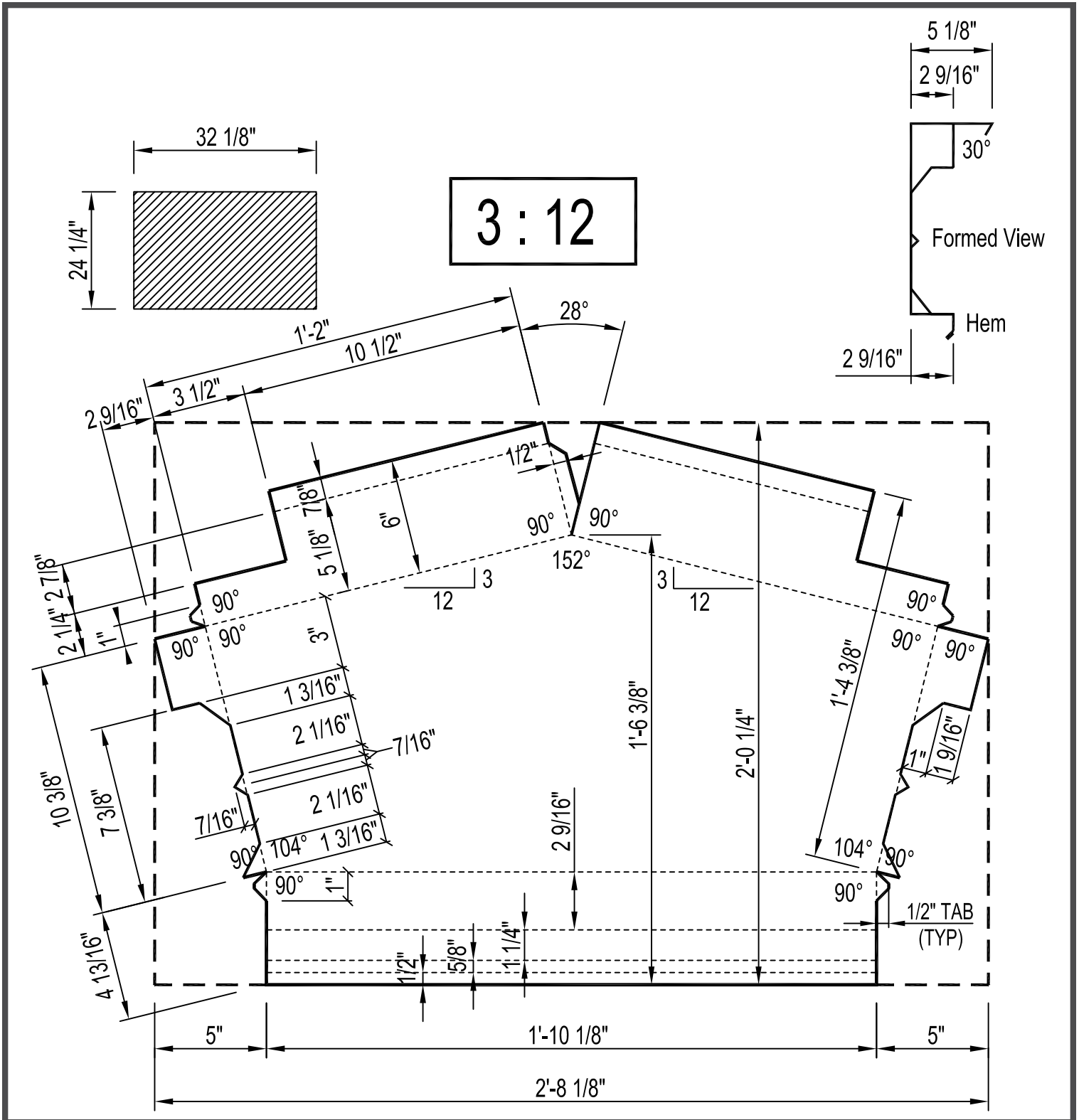
FL-331C

7 1/4" EXPANSION PEAK BOX
(NORTHERN SHADOW STYLE- TS-324)



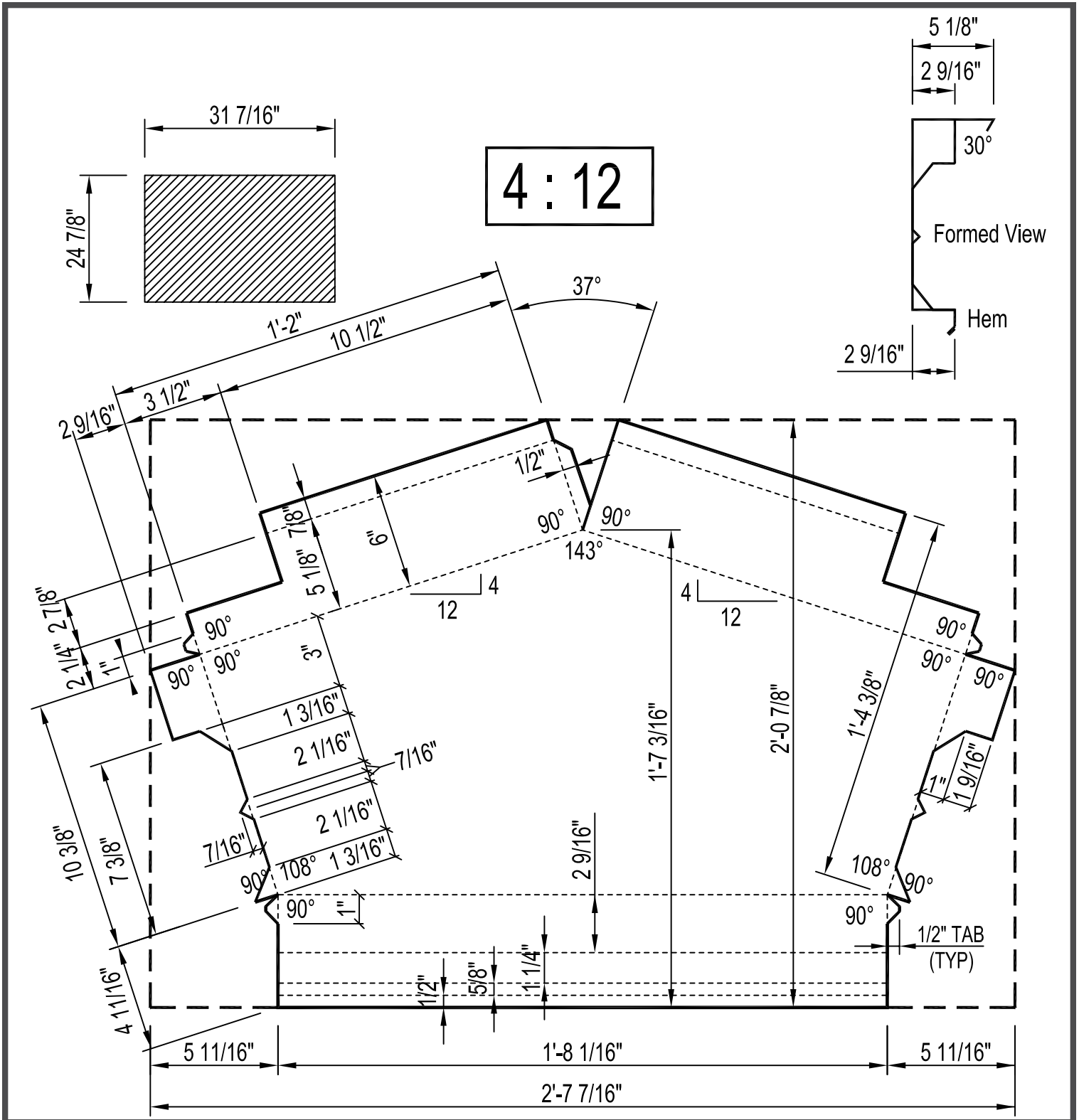
FL-331D

7 1/4" EXPANSION PEAK BOX
(NORTHERN SHADOW STYLE- TS-324)



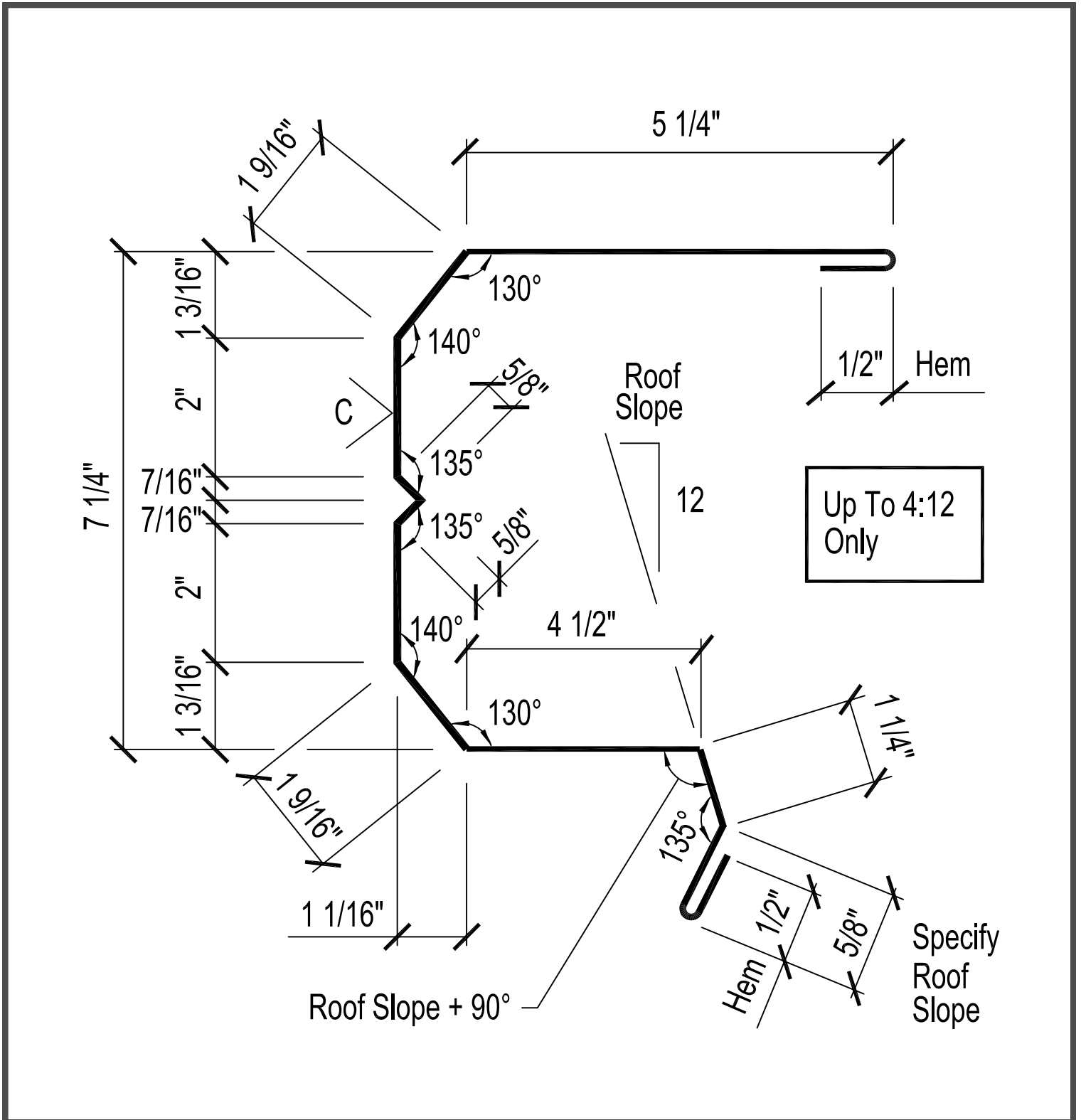
FL-331E

7 1/4" EXPANSION PEAK BOX
(NORTHERN SHADOW STYLE- TS-324)



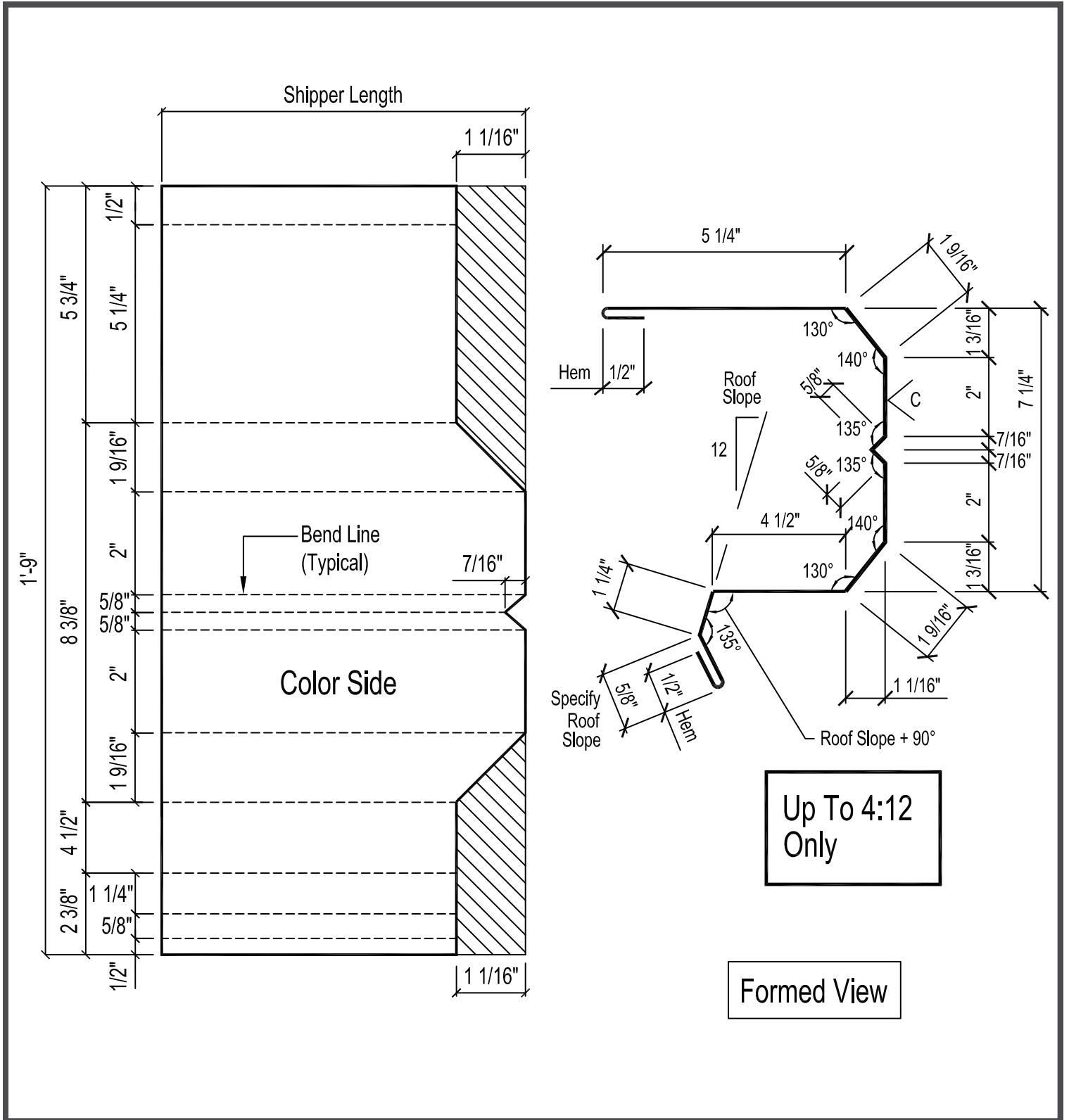
FL-333

HIGH SIDE EAVE TRIM (SHADOW) (STANDING SEAM PANEL)



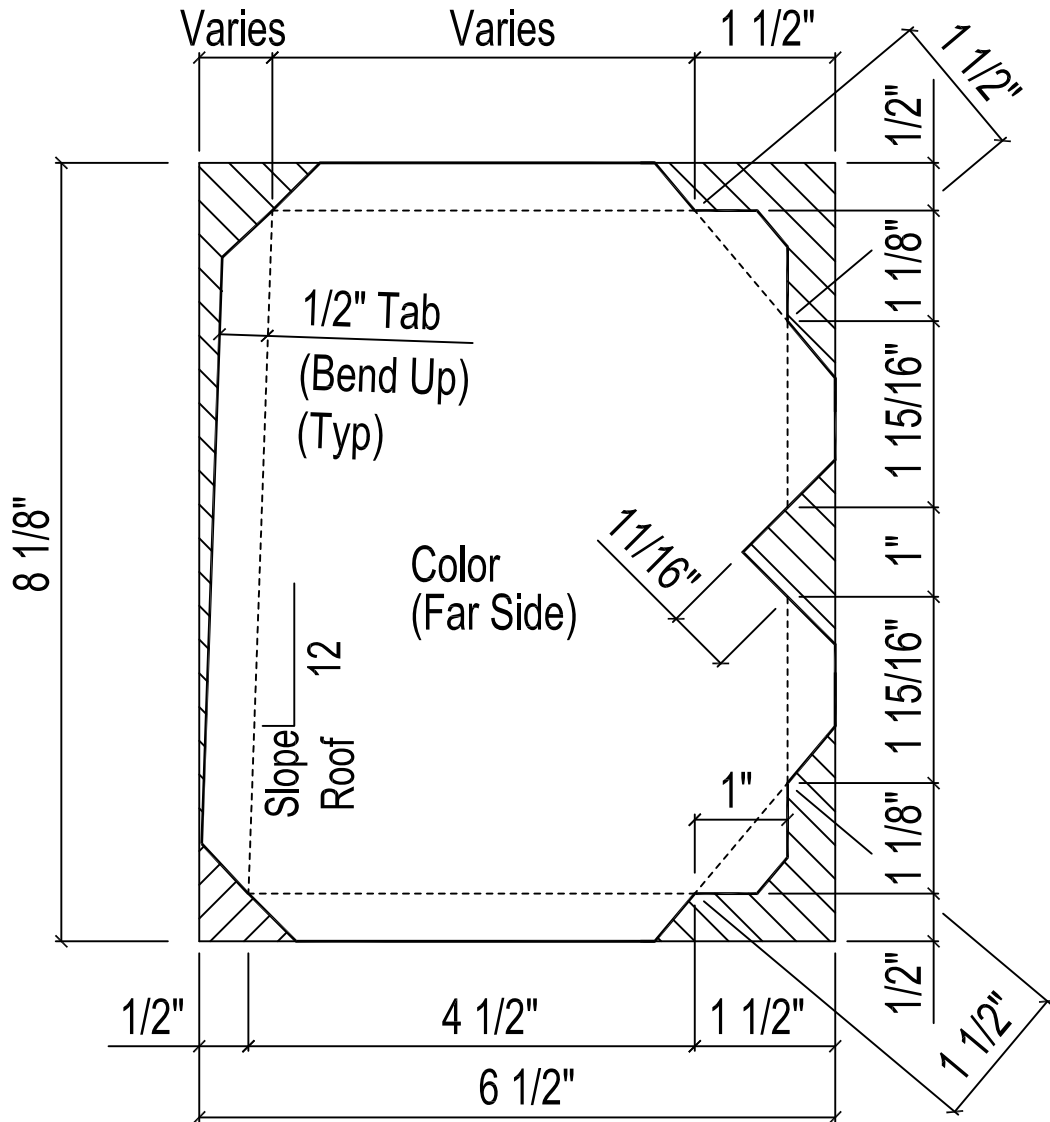
FL-333 R
FL-333 L

HIGH SIDE EAVE TRIM (SHADOW)
(STANDING SEAM PANEL)



FL-334 R
FL-334 L

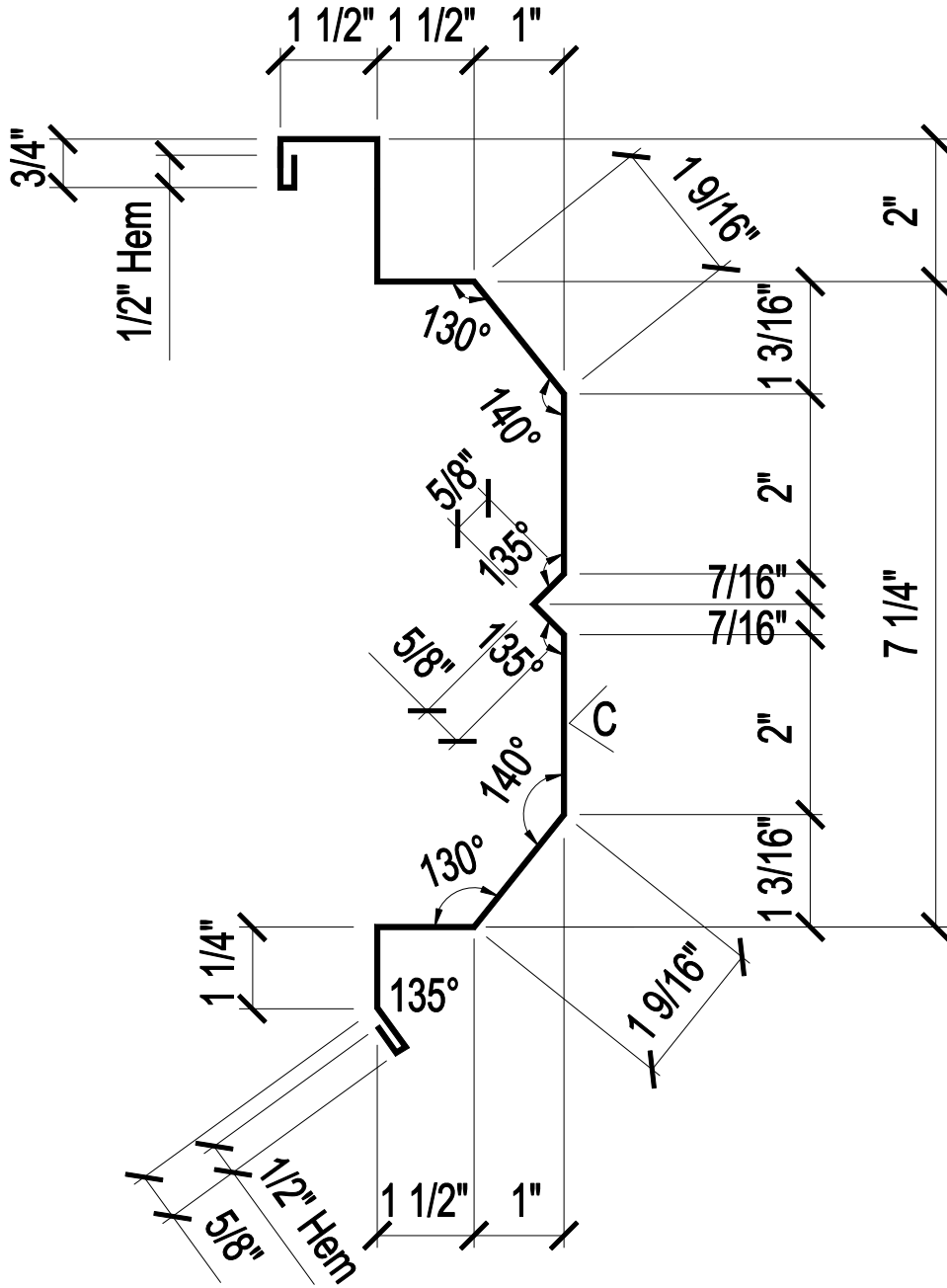
HIGH SIDE END CAP (SHADOW) (TS-324 & VS-216 PANEL)



Specify Roof Slope

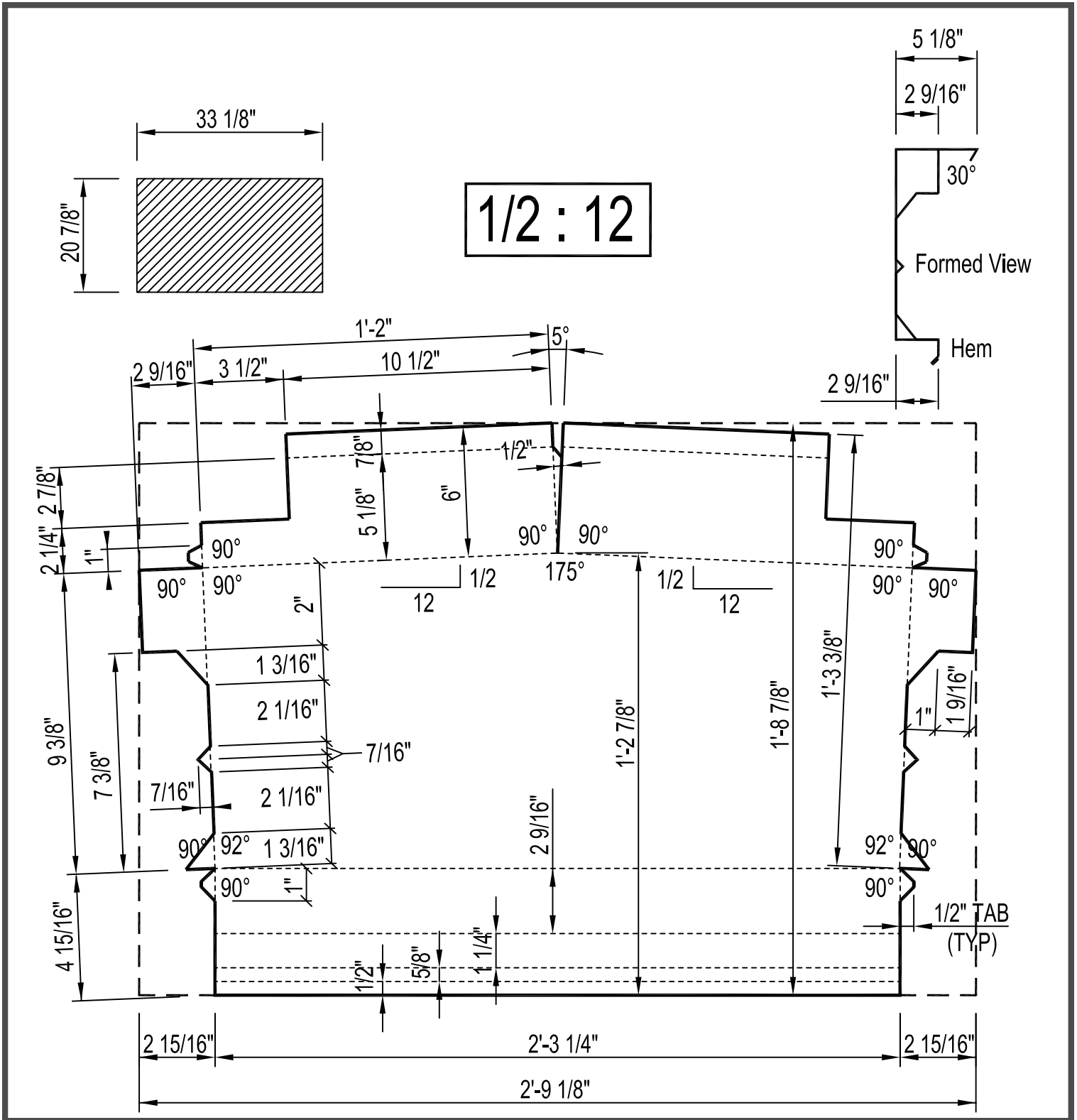
FL-335

RAKE TRIM
(NORTHERN SHADOW STYLE- VS-216 ROOF)



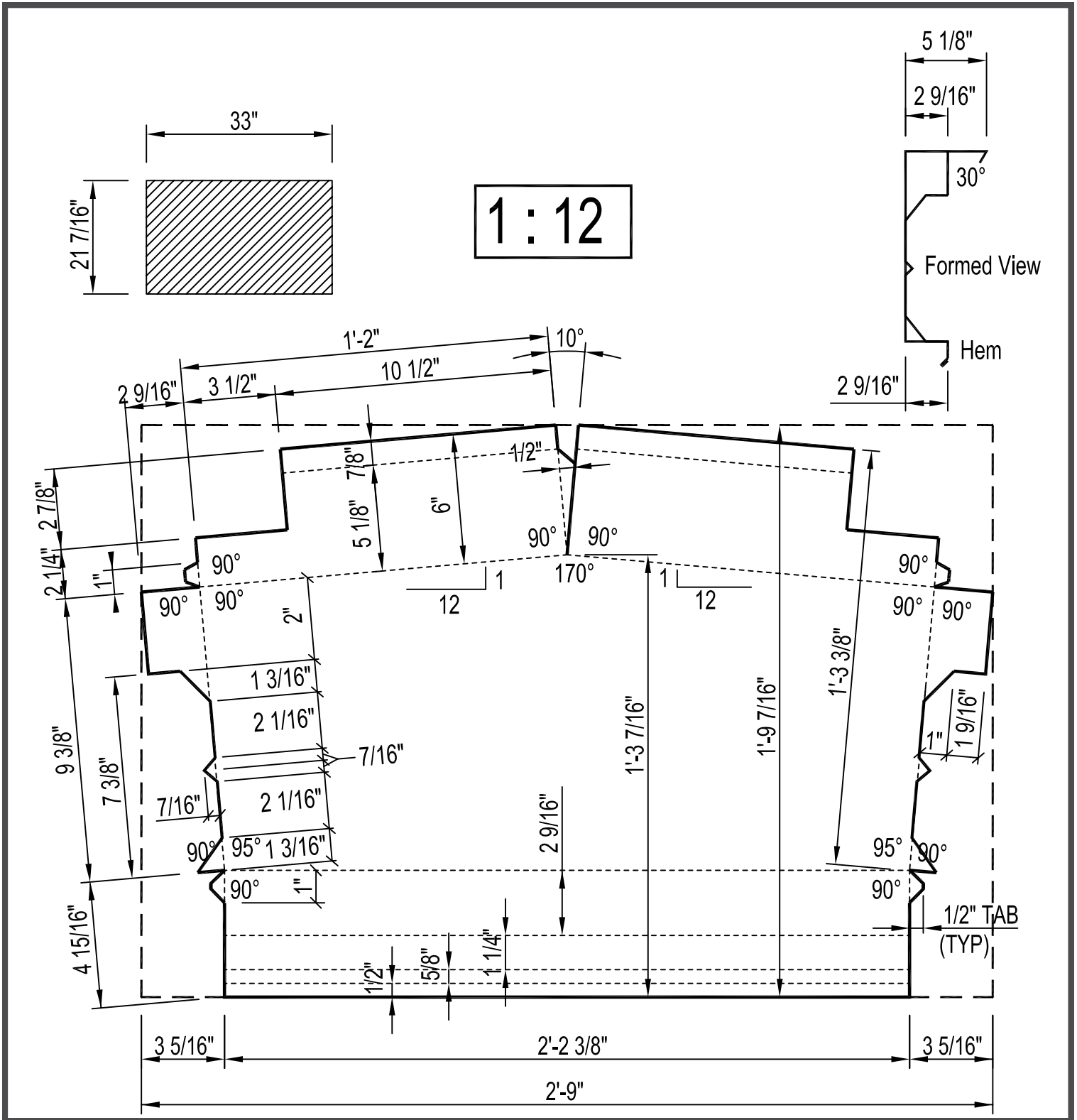
FL-336A

7 1/4" EXPANSION PEAK BOX
(NORTHERN SHADOW STYLE- VS-216)



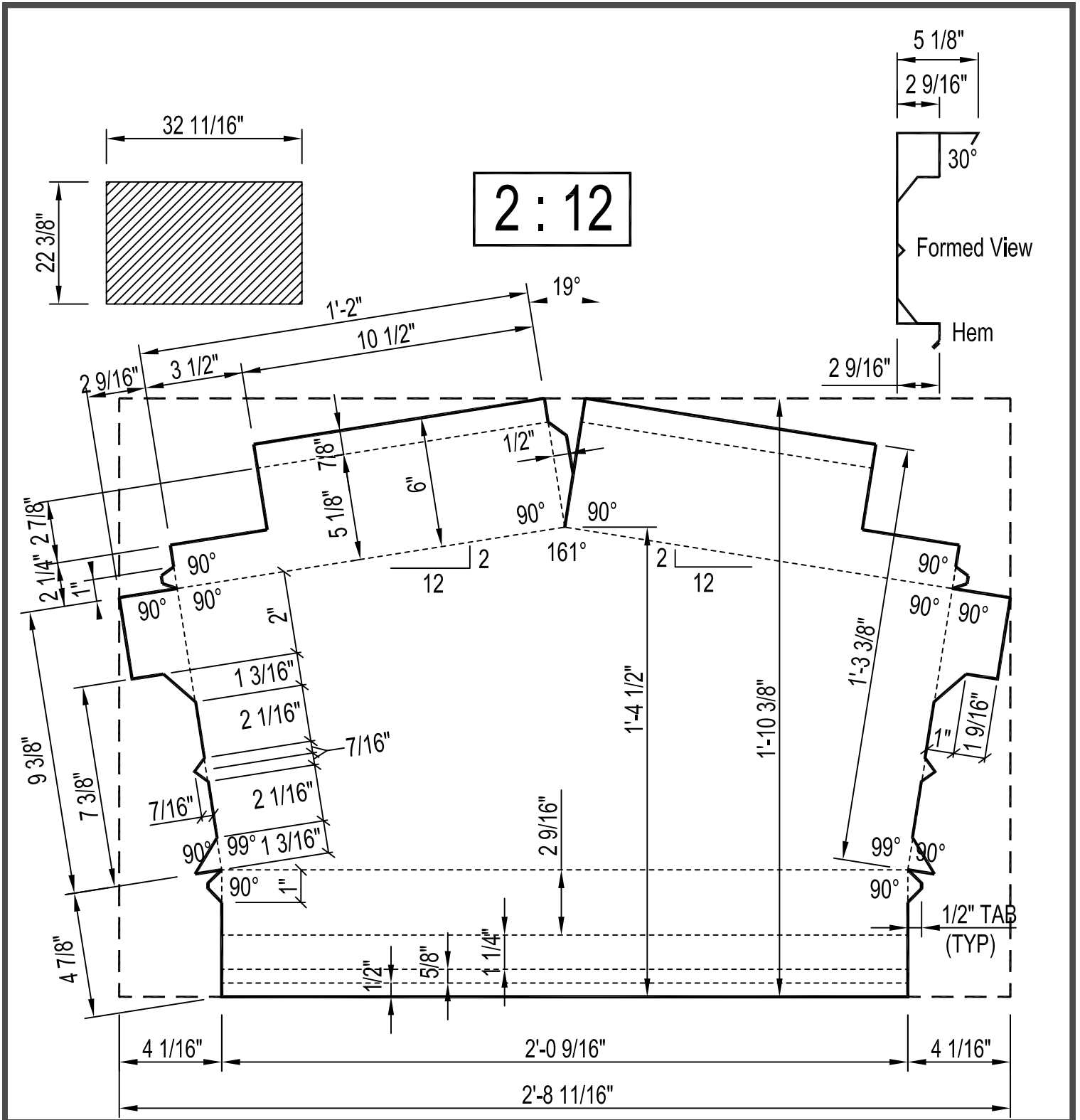
FL-336B

7 1/4" EXPANSION PEAK BOX
(NORTHERN SHADOW STYLE- VS-216)



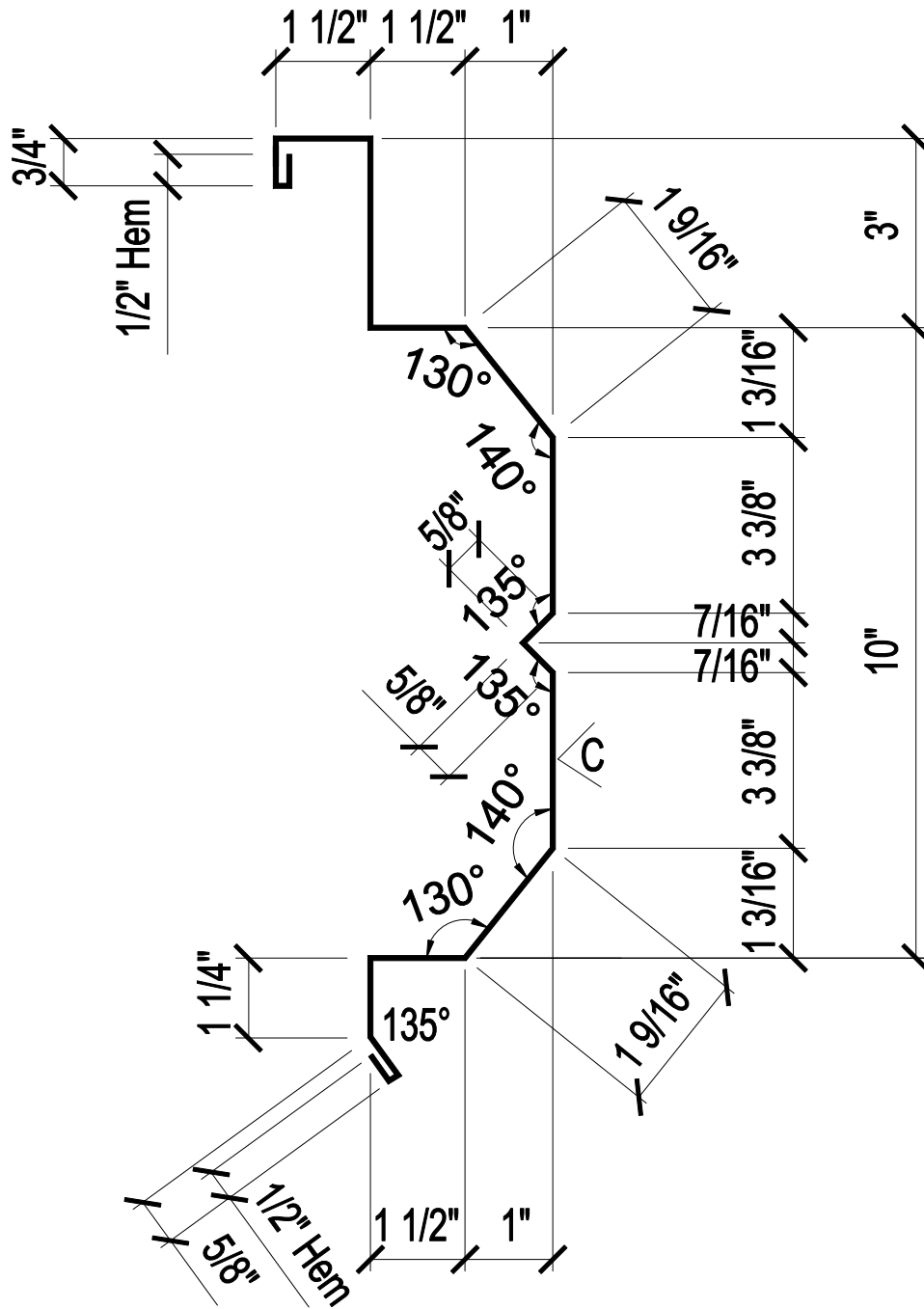
FL-336C

7 1/4" EXPANSION PEAK BOX
(NORTHERN SHADOW STYLE- VS-216)



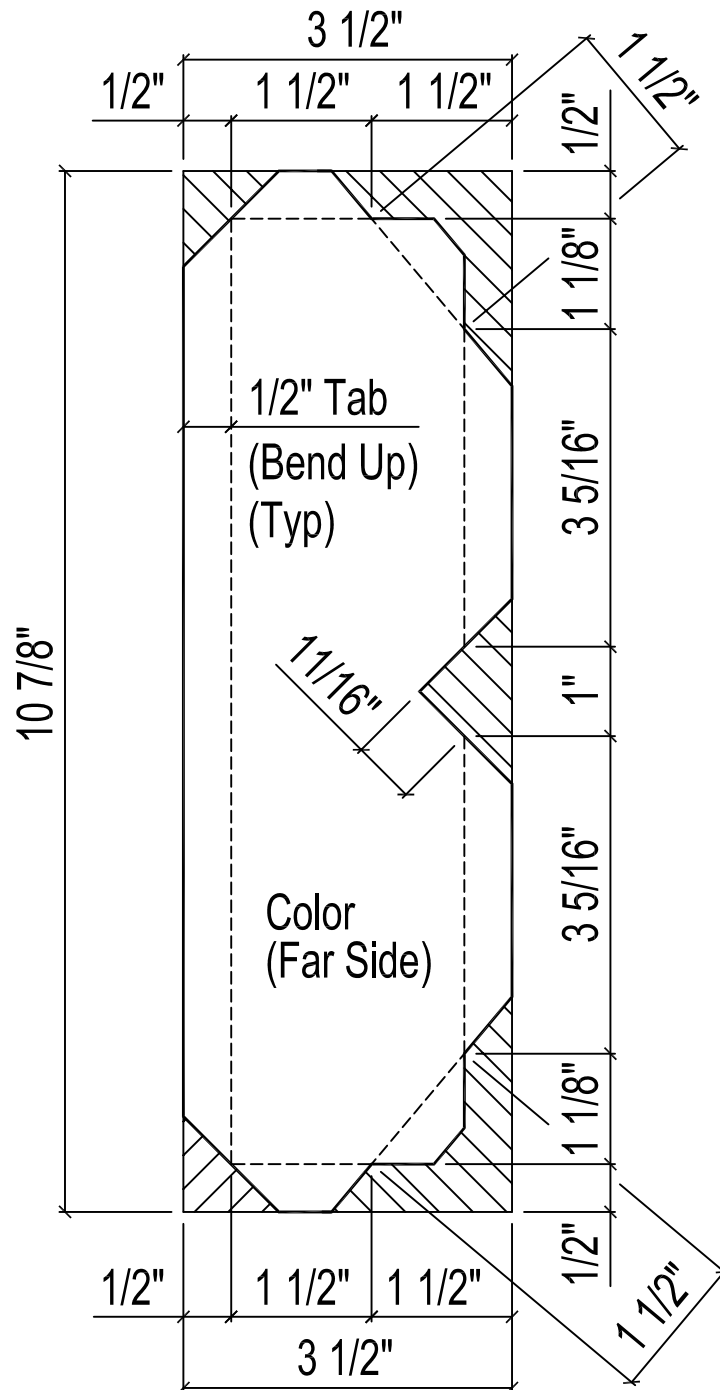
FL-340

10" RAKE TRIM
(NORTHERN SHADOW STYLE- TS-324 ROOF)



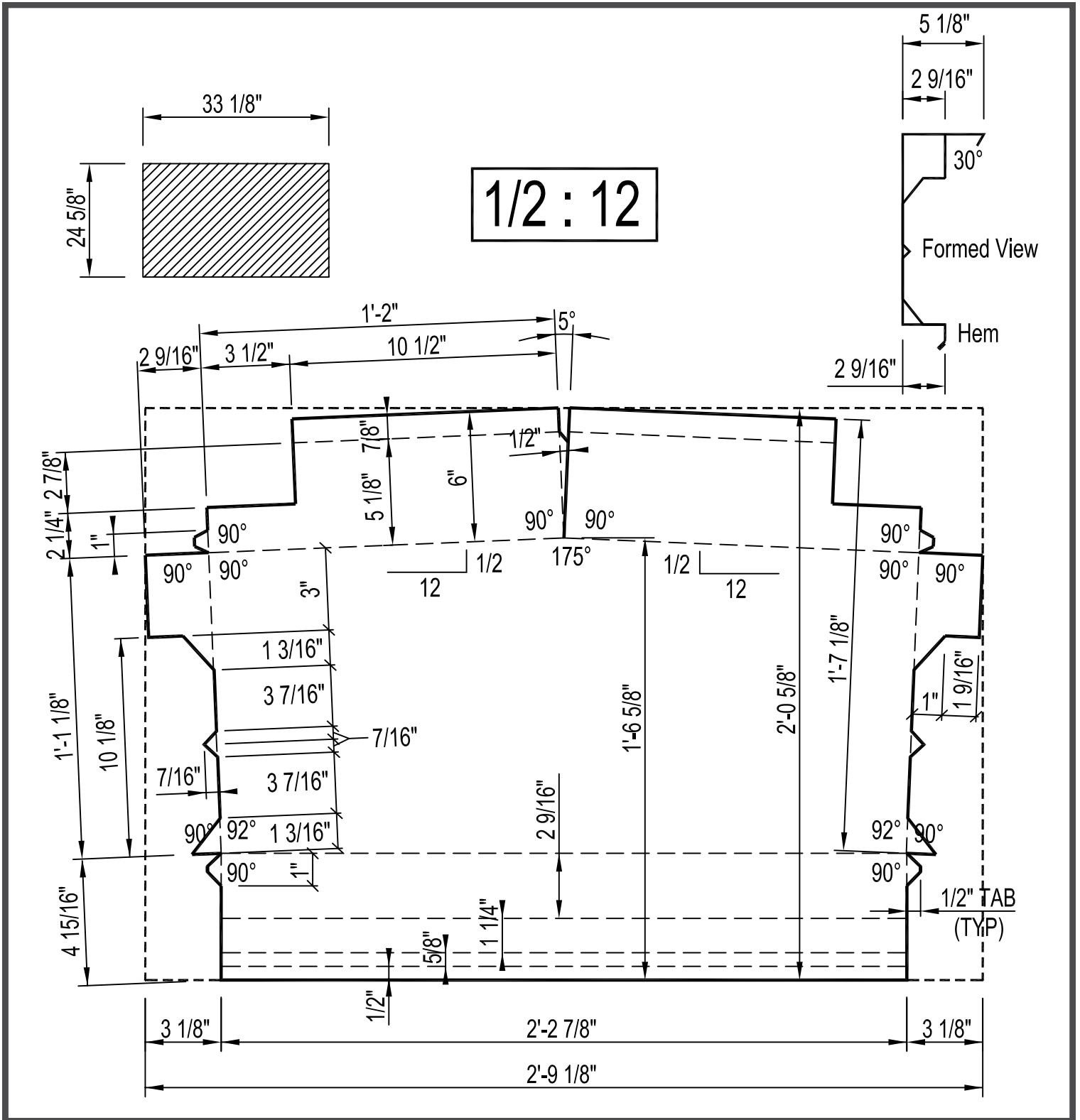
FL-343

10" RAKE TRIM END CAP
(TS-324 & VS-216 FOR NORTHERN SHADOW STYLE)



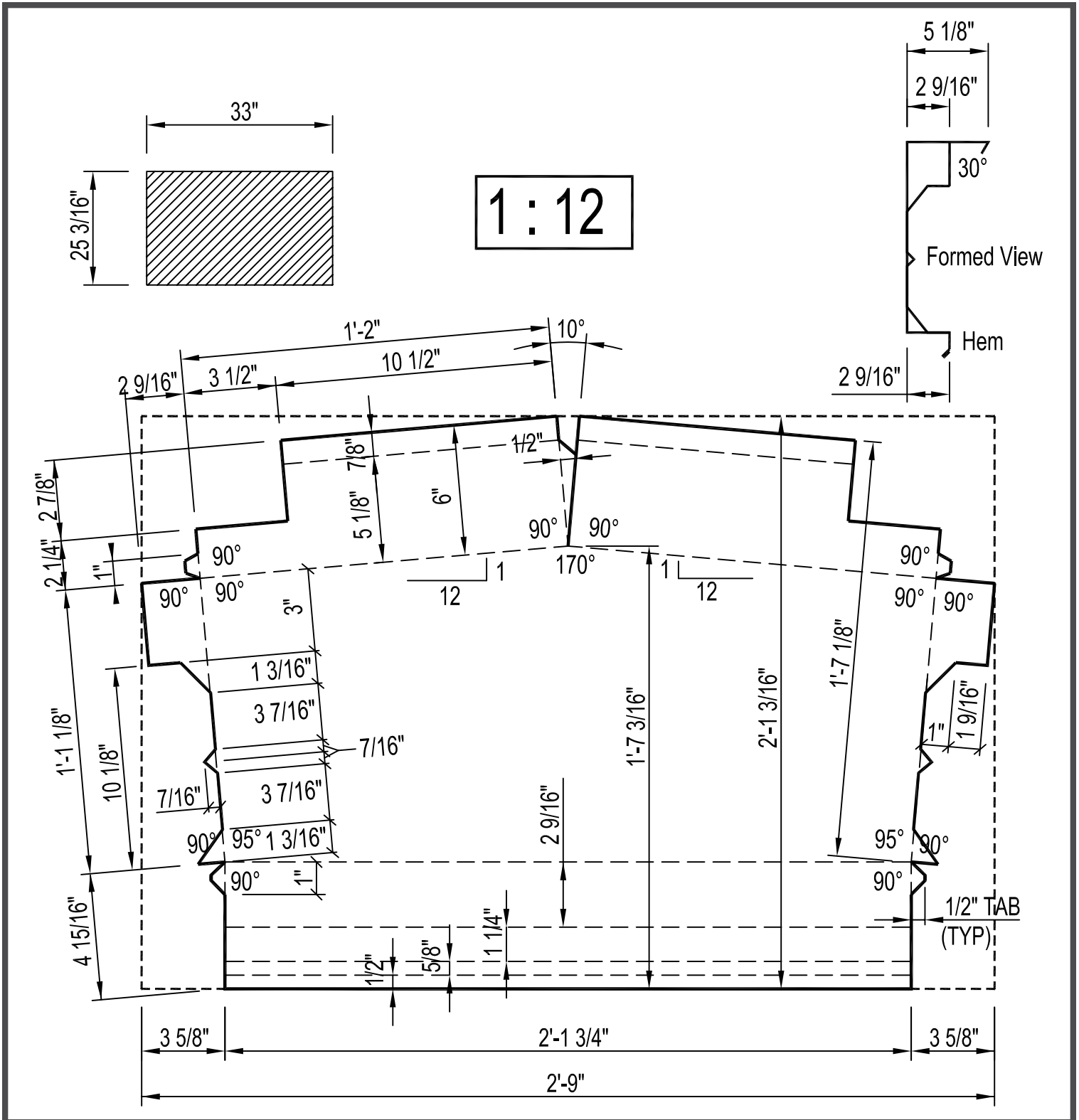
FL-344A

10" EXPANSION PEAK BOX
(NORTHERN SHADOW STYLE- TS-324)



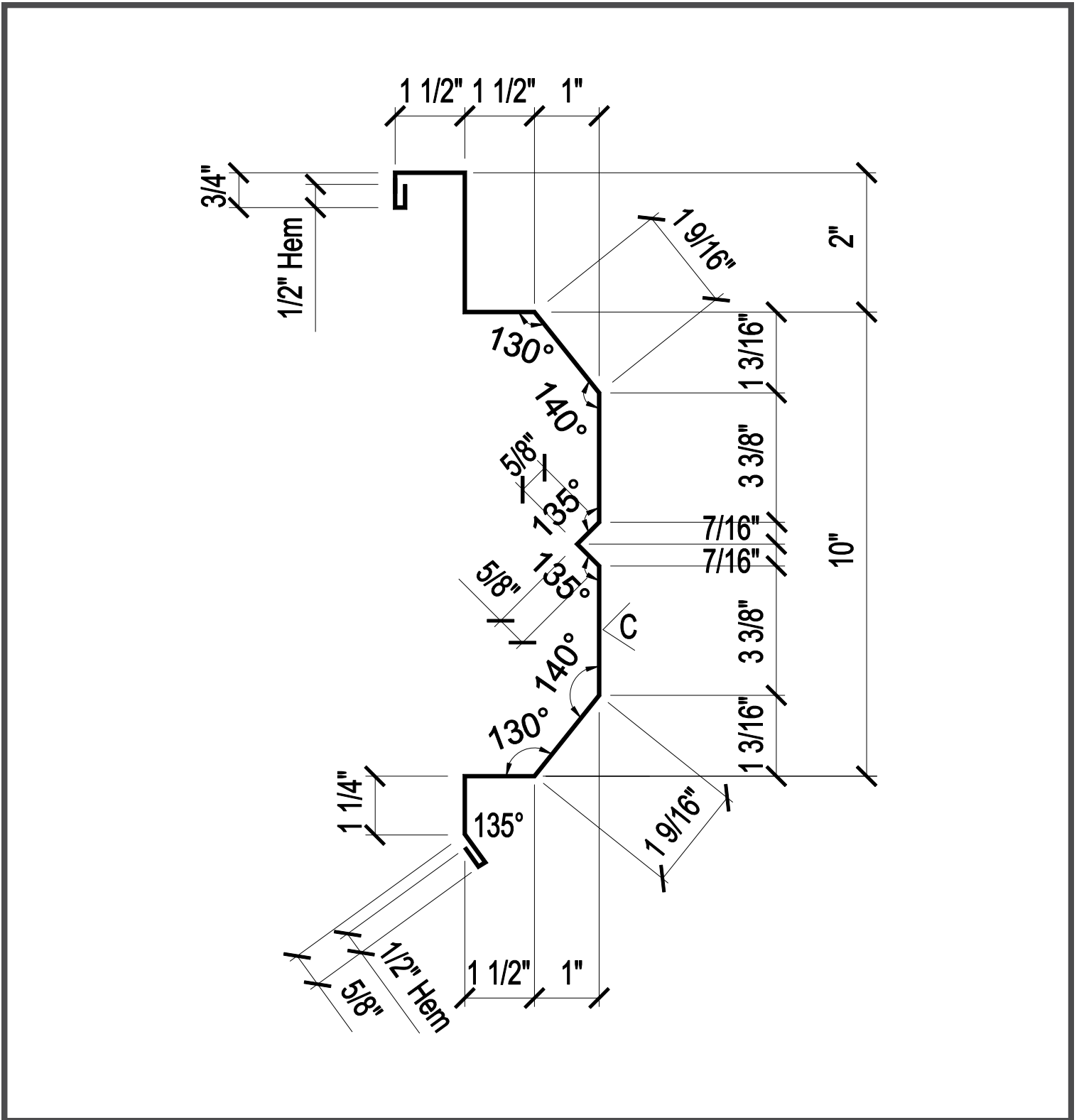
FL-344B

10" EXPANSION PEAK BOX
(NORTHERN SHADOW STYLE- TS-324)



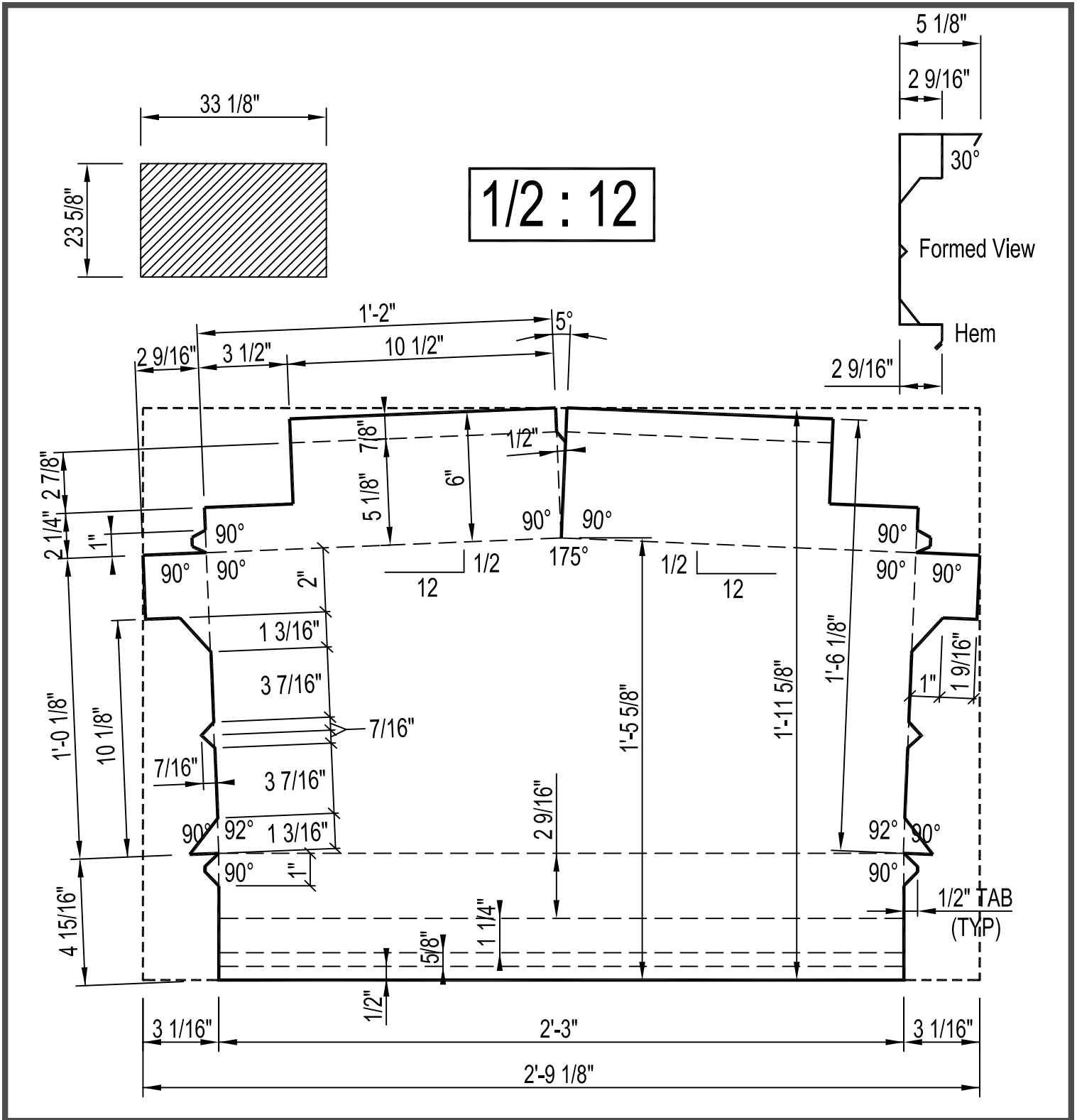
FL-345

10" RAKE TRIM
(NORTHERN SHADOW STYLE- VS-216 ROOF)



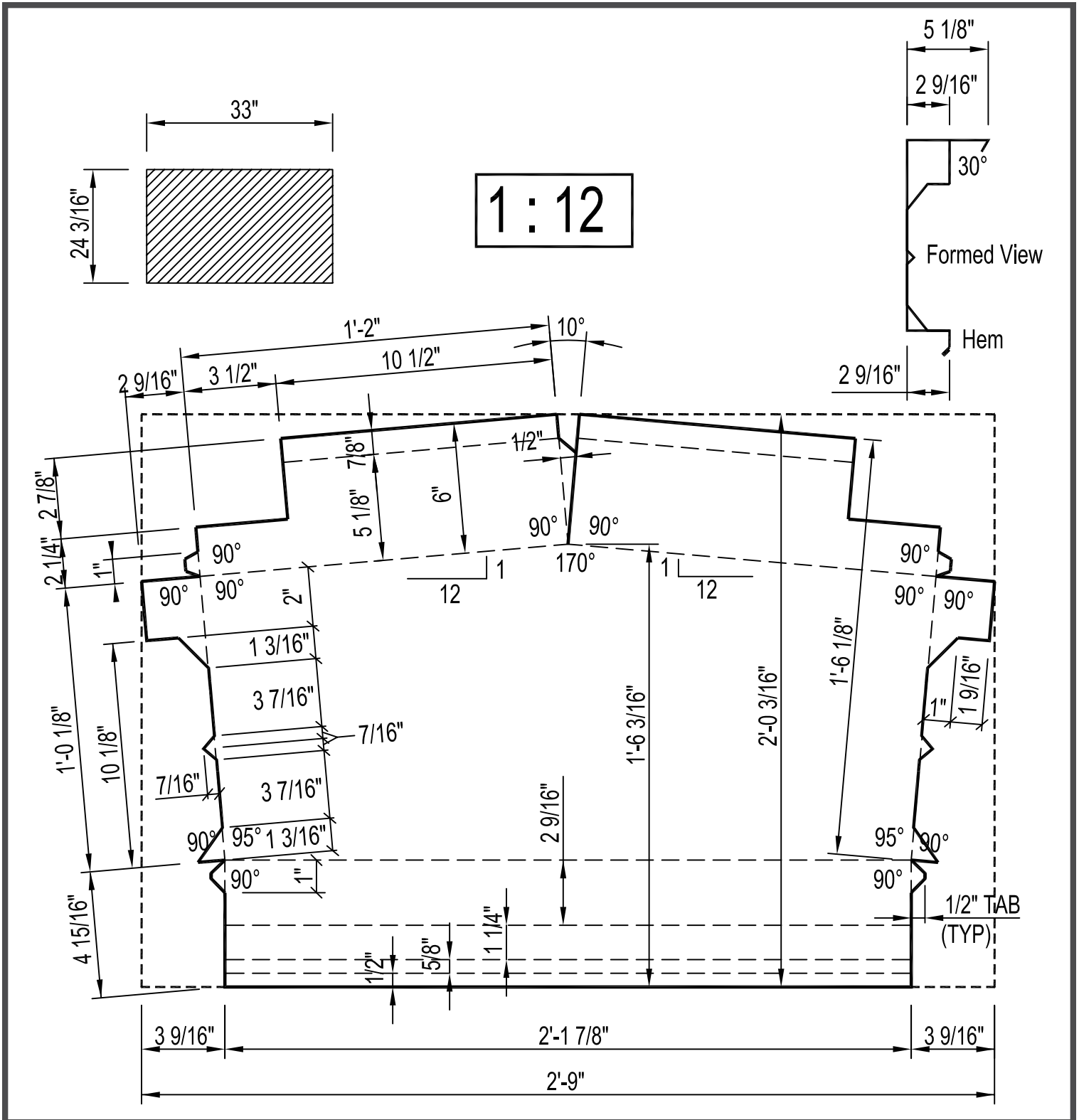
FL-348A

10" EXPANSION PEAK BOX
(NORTHERN SHADOW STYLE- VS-216)



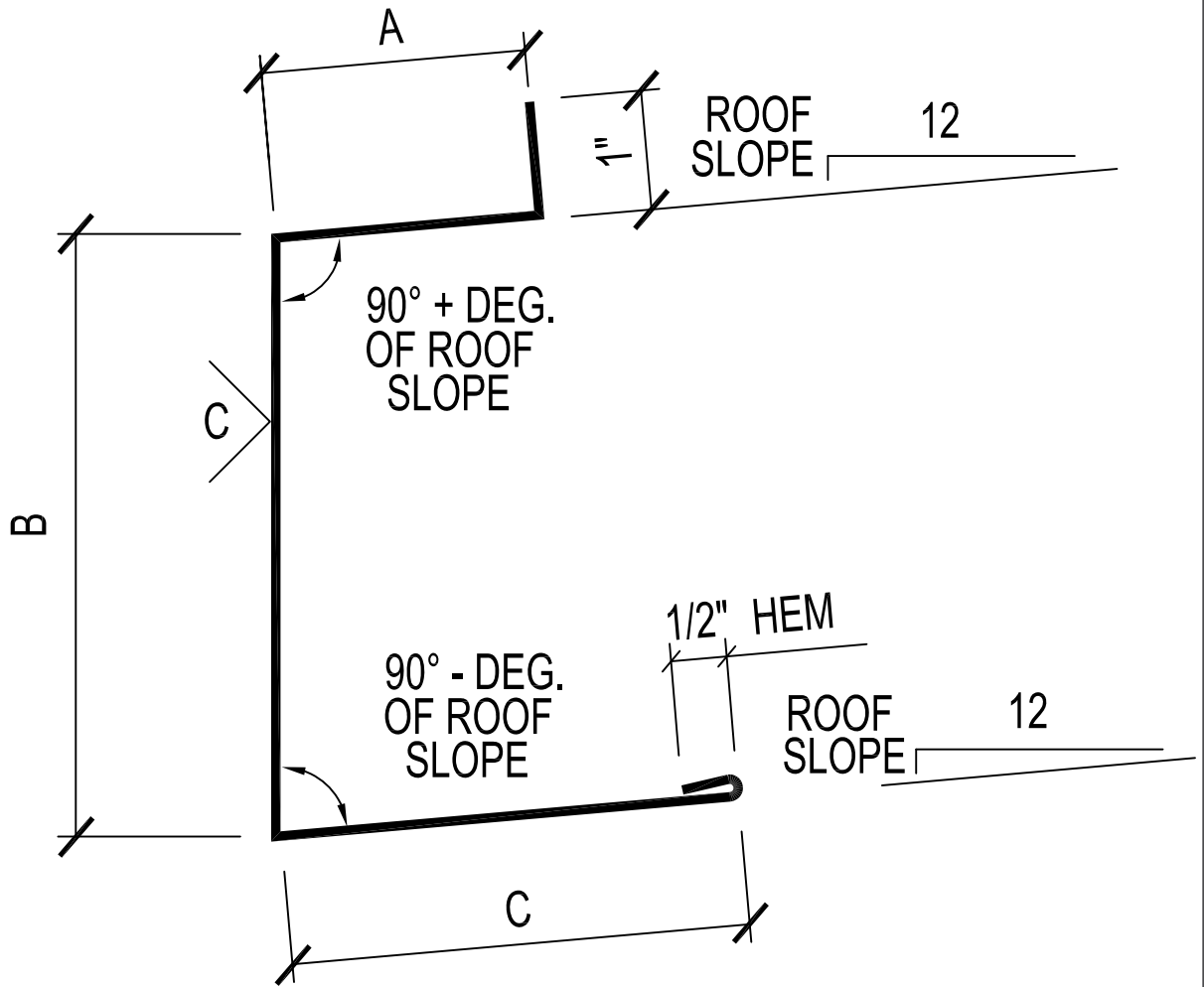
FL-348B

10" EXPANSION PEAK BOX (NORTHERN SHADOW STYLE- VS-216)



FL-350

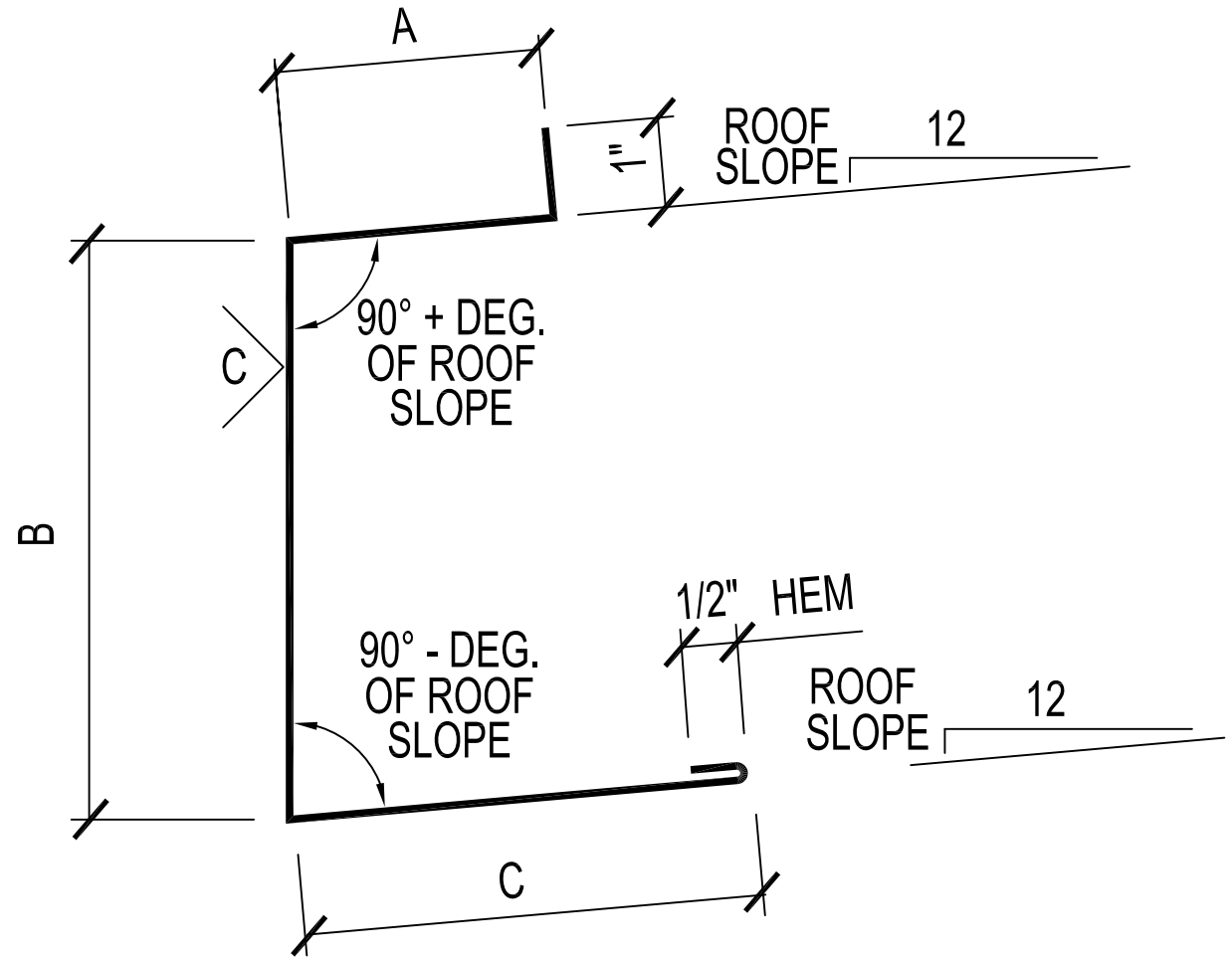
CANOPY EAVE TRIM W/O SOFFIT PANEL
(8 X 3 1/2" EAVE CHANNEL)



SLOPE CODE	ROOF SLOPE	DIMENSION		
		A	B	C
A	1/2	3 3/4	6	4 3/4
B	1	3 3/4	6	4 3/4
C	2	3 13/16	6 1/8	4 9/16
D	3	4	6 1/4	4 1/4
E	4	4 1/8	6 7/16	3 15/16

SPECIFY ROOF SLOPE

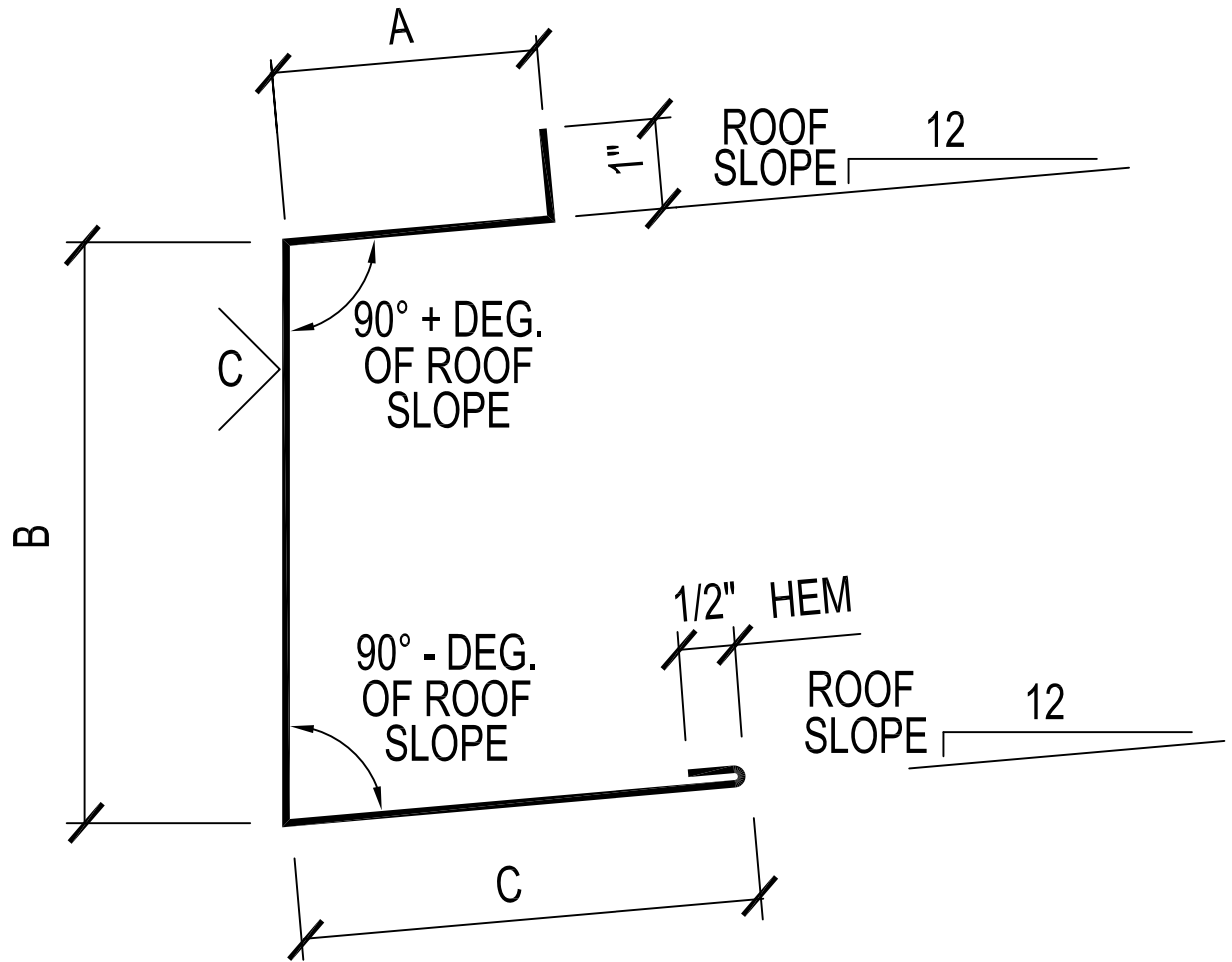
FL-351 CANOPY EAVE TRIM WITH PBR SOFFIT PANEL (8 X 3 1/2" EAVE CHANNEL)



SLOPE CODE	ROOF SLOPE	DIMENSION		
		A	B	C
A	1/2	3 3/4	7 1/4	5 1/4
B	1	3 3/4	7 1/4	5 1/4
C	2	3 13/16	7 3/8	5 1/16
D	3	4	7 9/16	4 11/16
E	4	4 1/8	7 3/4	4 3/8

SPECIFY ROOF SLOPE

FL-352 CANOPY EAVE TRIM WITH PBR SOFFIT PANEL (8 X 3 1/2" EAVE CHANNEL)

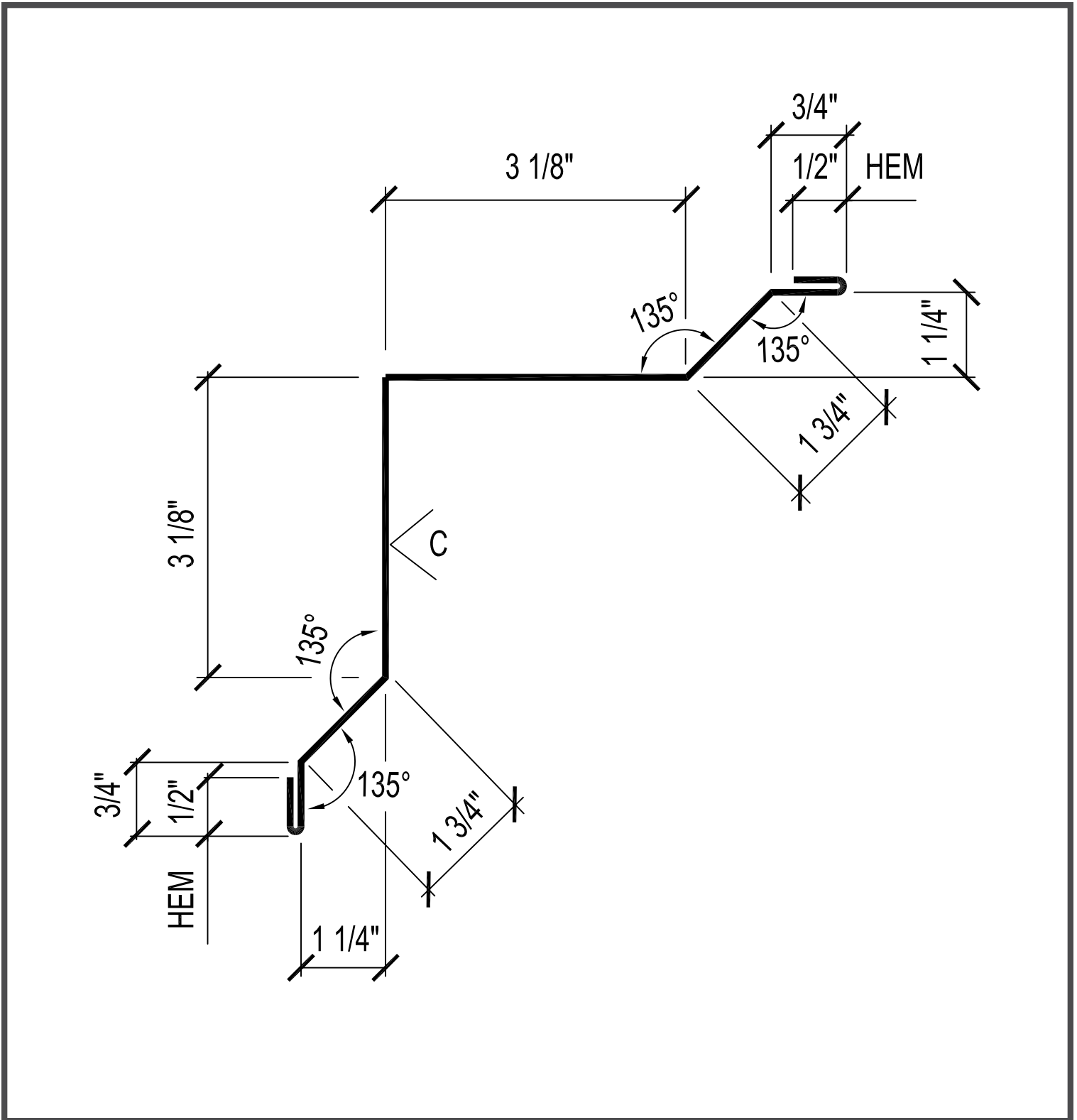


SLOPE CODE	ROOF SLOPE	DIMENSION		
		A	B	C
A	1/2	3 3/4	6 3/4	5 1/4
B	1	3 3/4	6 3/4	5 1/4
C	2	3 13/16	6 7/8	5 1/16
D	3	4	7 1/8	4 5/8
E	4	4 1/8	7 1/4	4 3/8

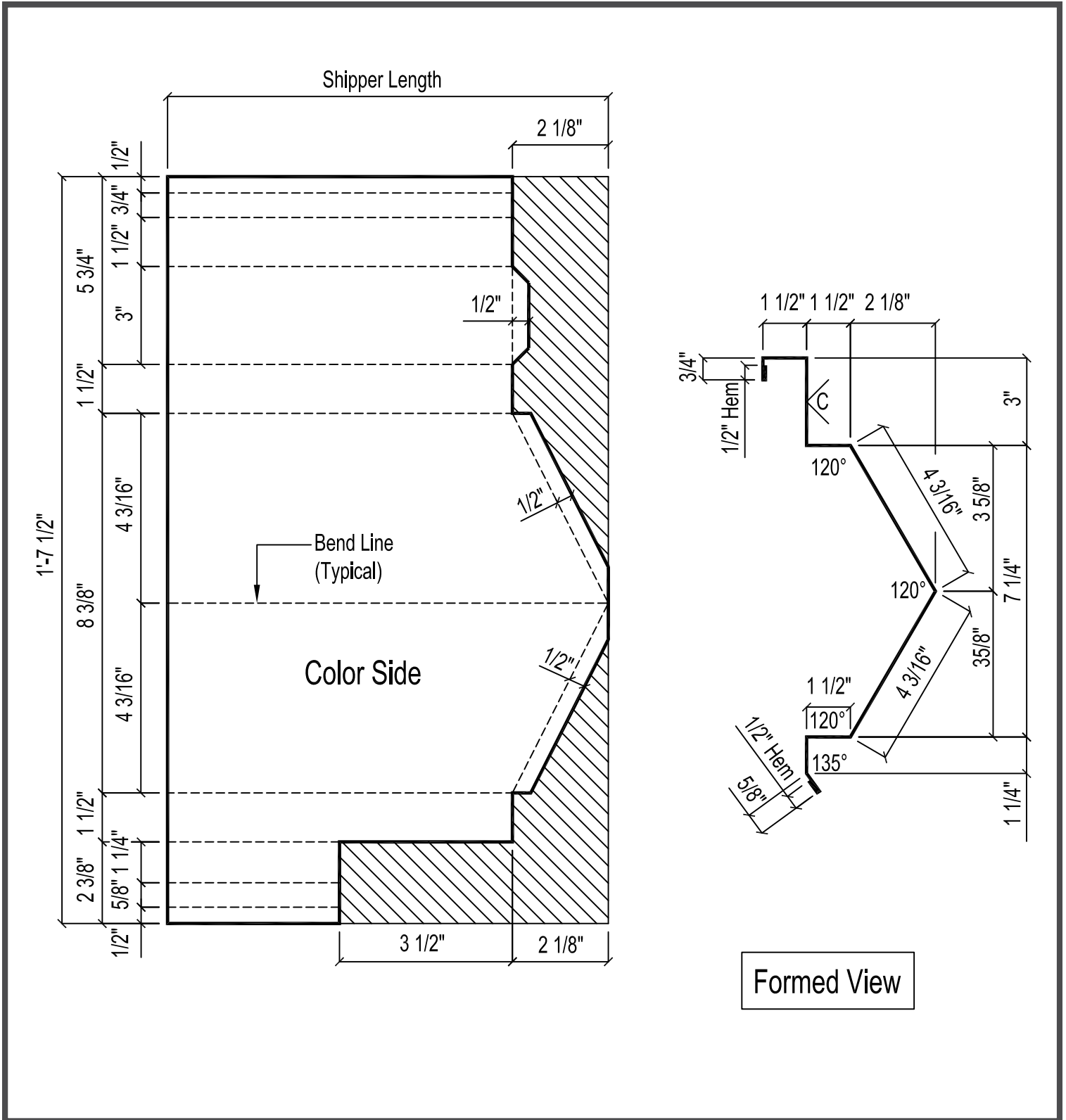
SPECIFY ROOF SLOPE

FL-354

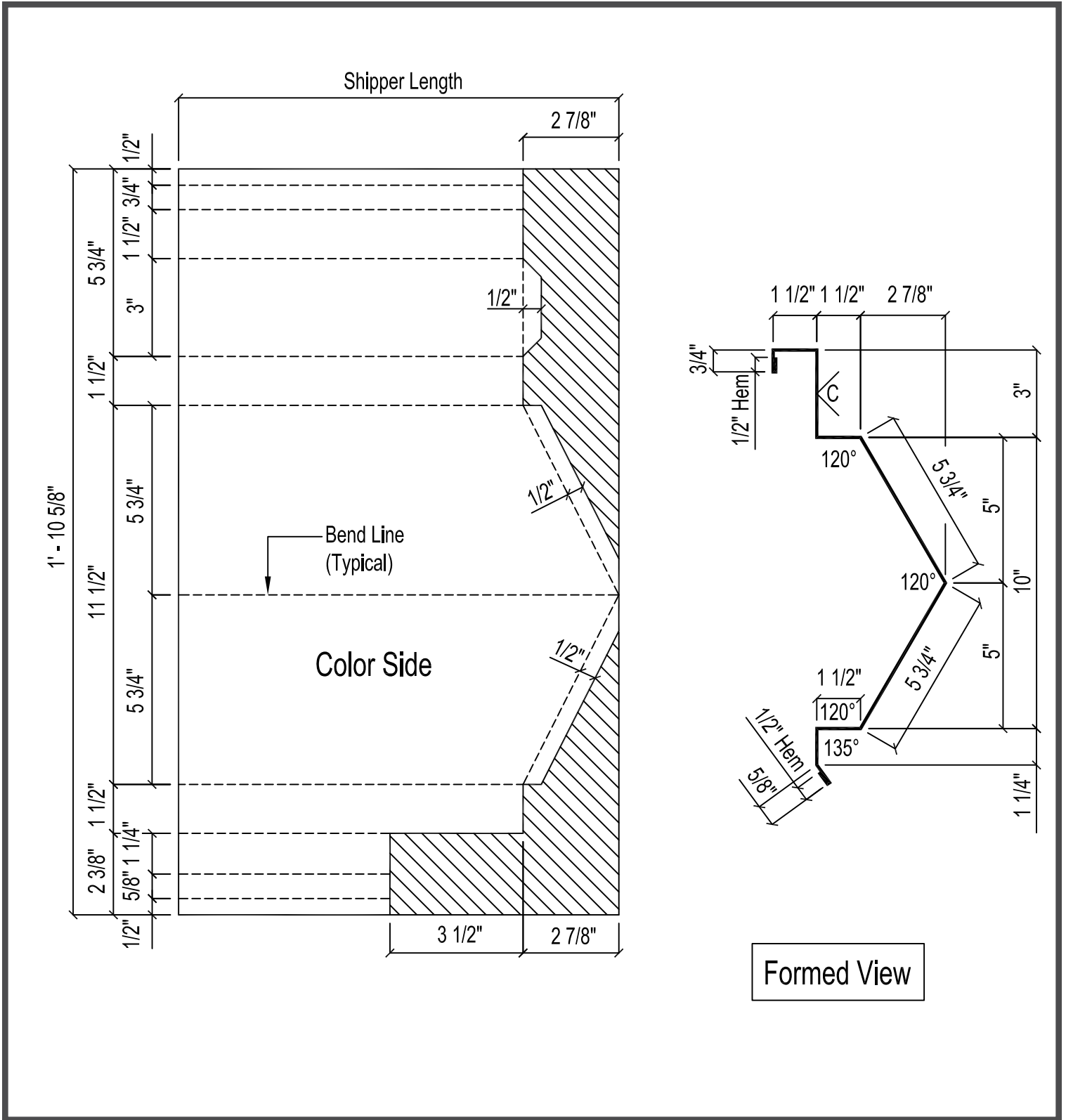
INSIDE CORNER
("PBR", "A" PANEL)



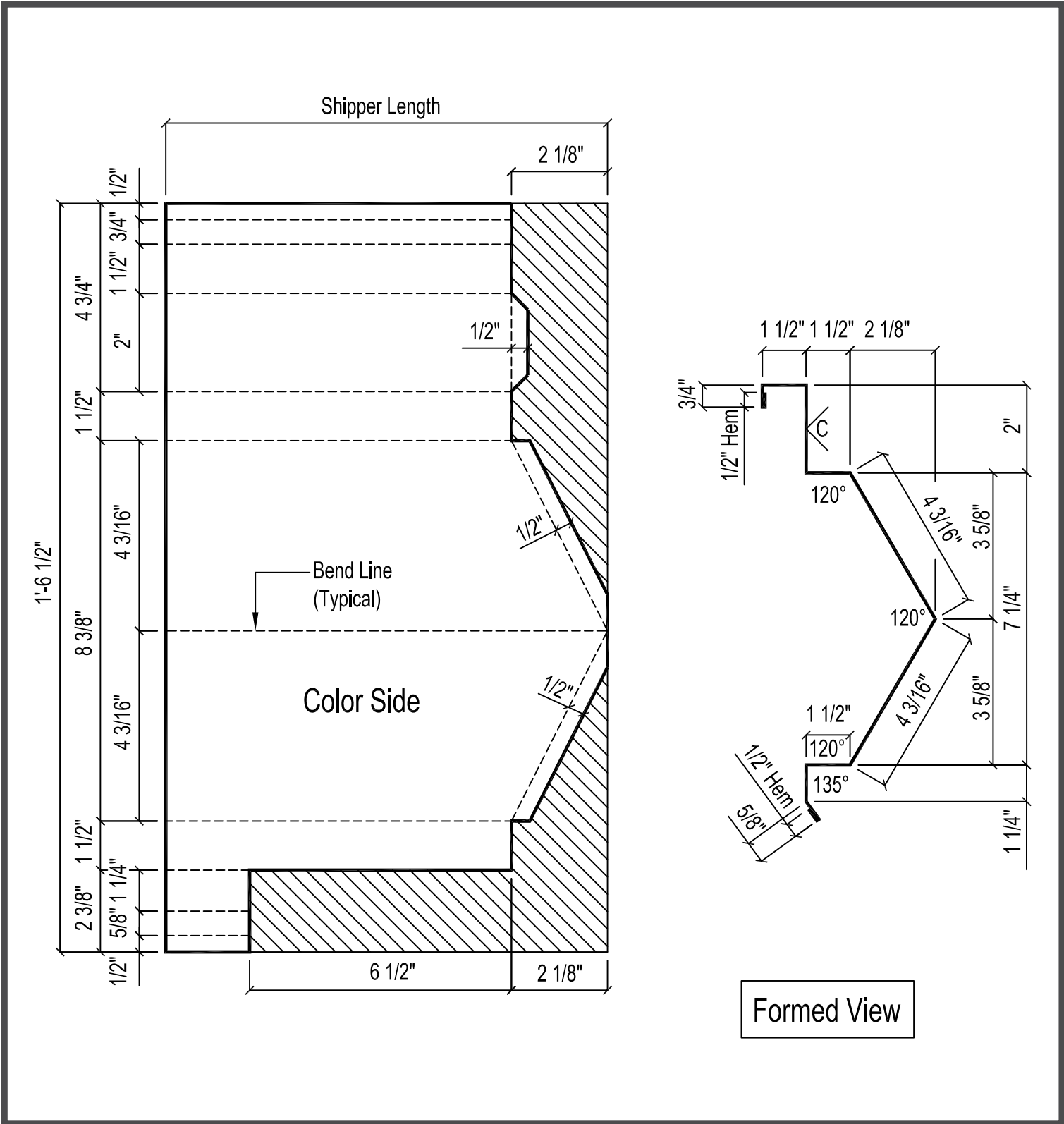
FL-355 R MITERED RAKE TRIM-TO HIGH SIDE EAVE TRIM
FL-355 L (NORTHERN STYLE- TS-324)



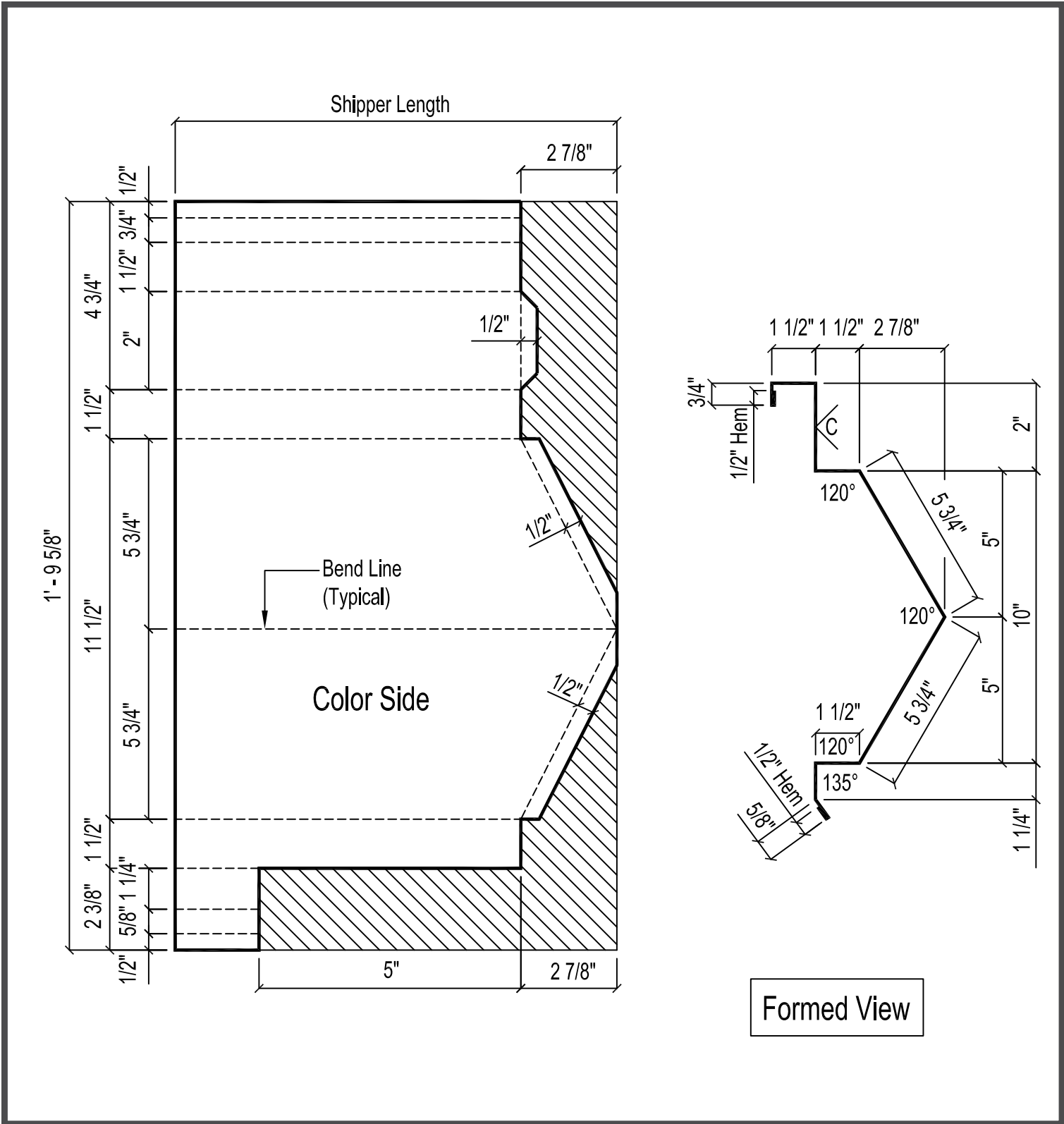
FL-356 R 10" MITERED RAKE TRIM-TO HIGH SIDE EAVE TRIM
FL-356 L (NORTHERN STYLE- TS-324)



FL-357 R MITERED RAKE TRIM- TO HIGH SIDE EAVE TRIM
FL-357 L (NORTHERN STYLE- VS-216)



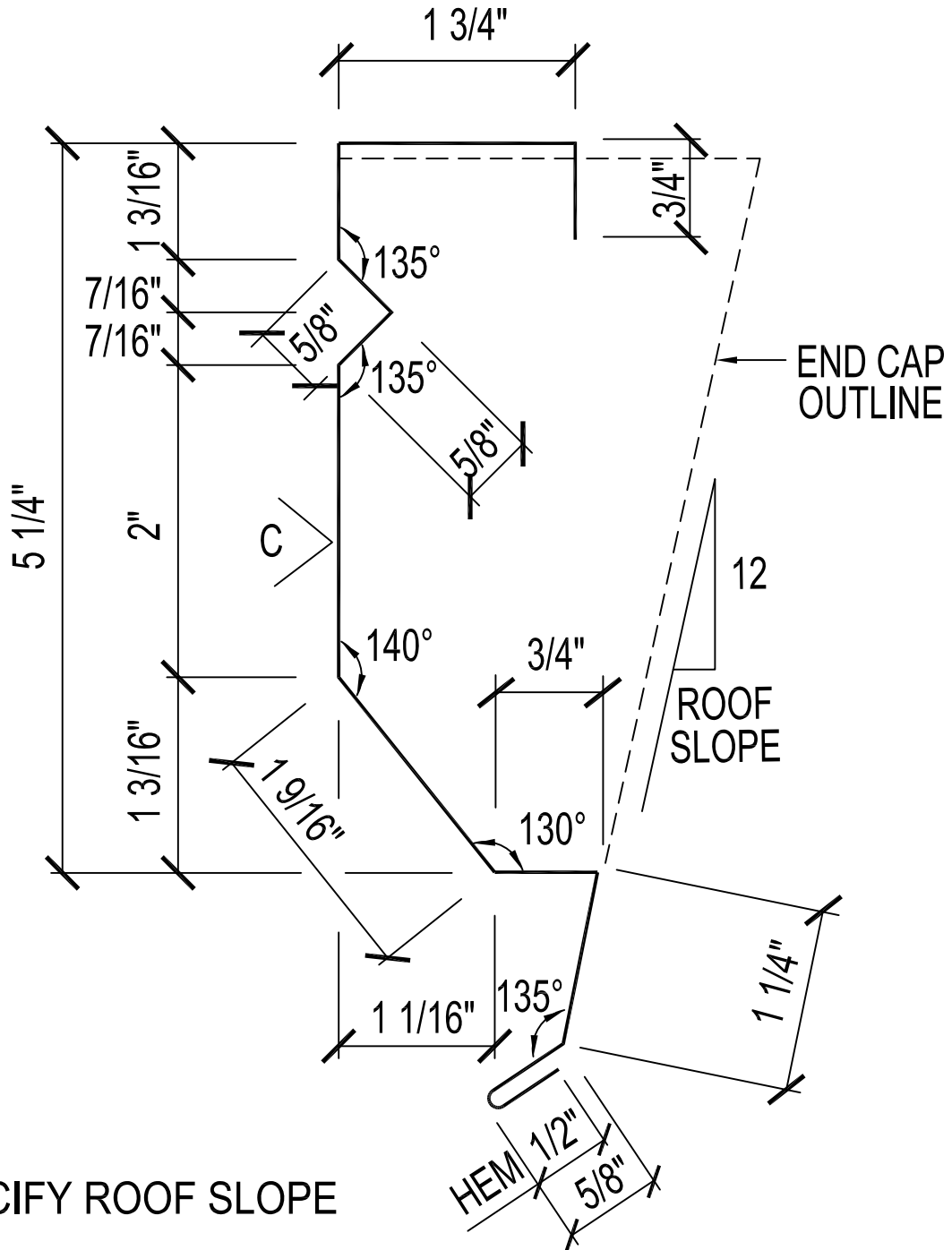
FL-358 R 10" MITERED RAKE TRIM- TO HIGH SIDE EAVE TRIM
FL-358 L (NORTHERN STYLE VS-216)



Formed View

FL-362

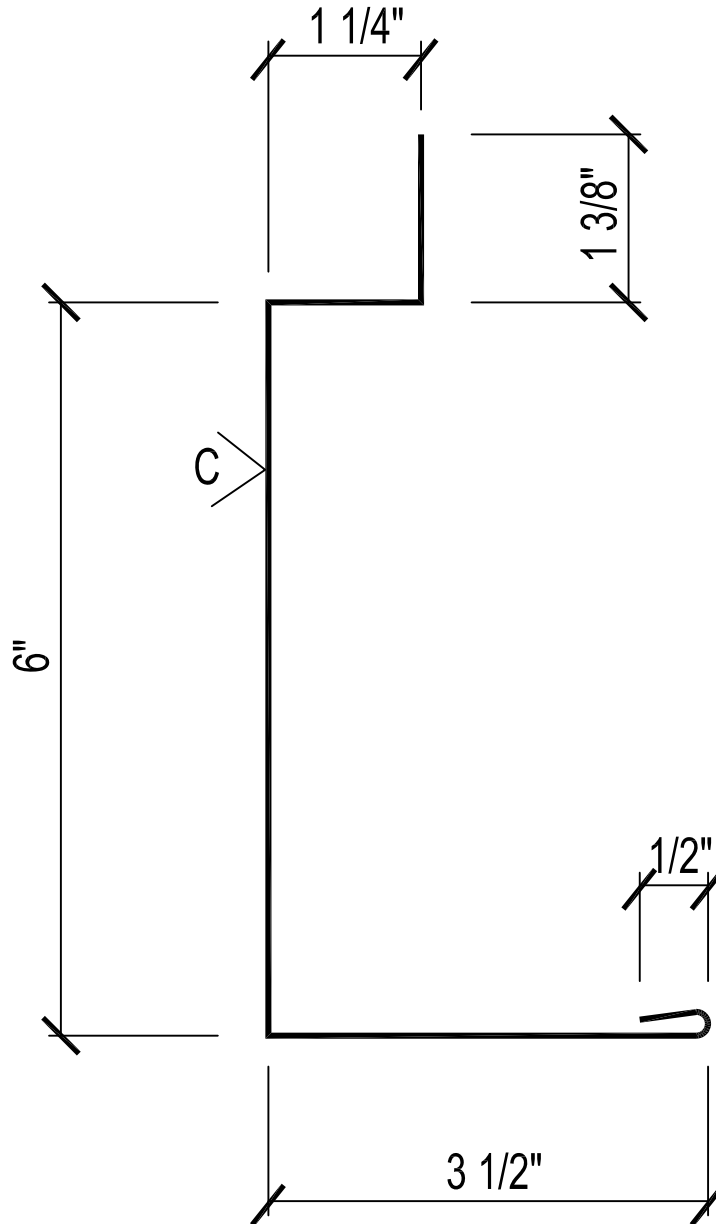
SCULPTURED LOW SIDE EAVE TRIM
(SHADOW)(VS-216)



SPECIFY ROOF SLOPE

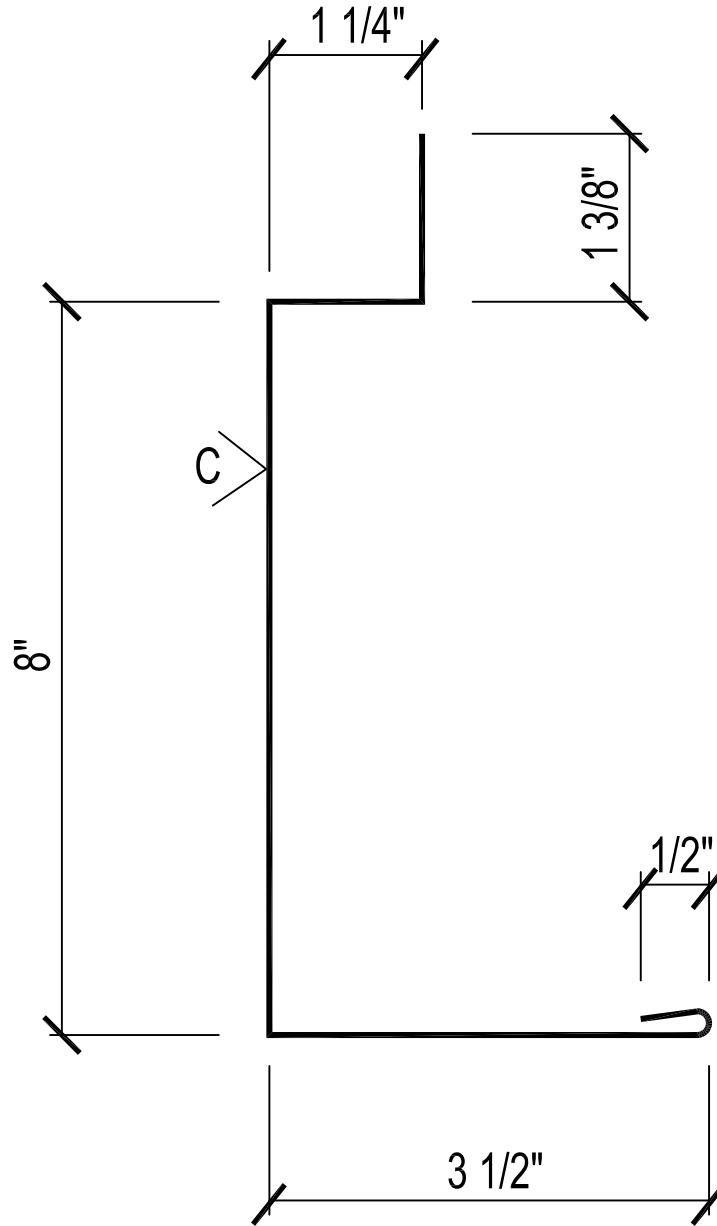
FL-365

RAKE SPACER TRIM W/O SOFFIT
("PBR" PANEL 10" PURLIN)(SSR PANEL 8" PURLIN)



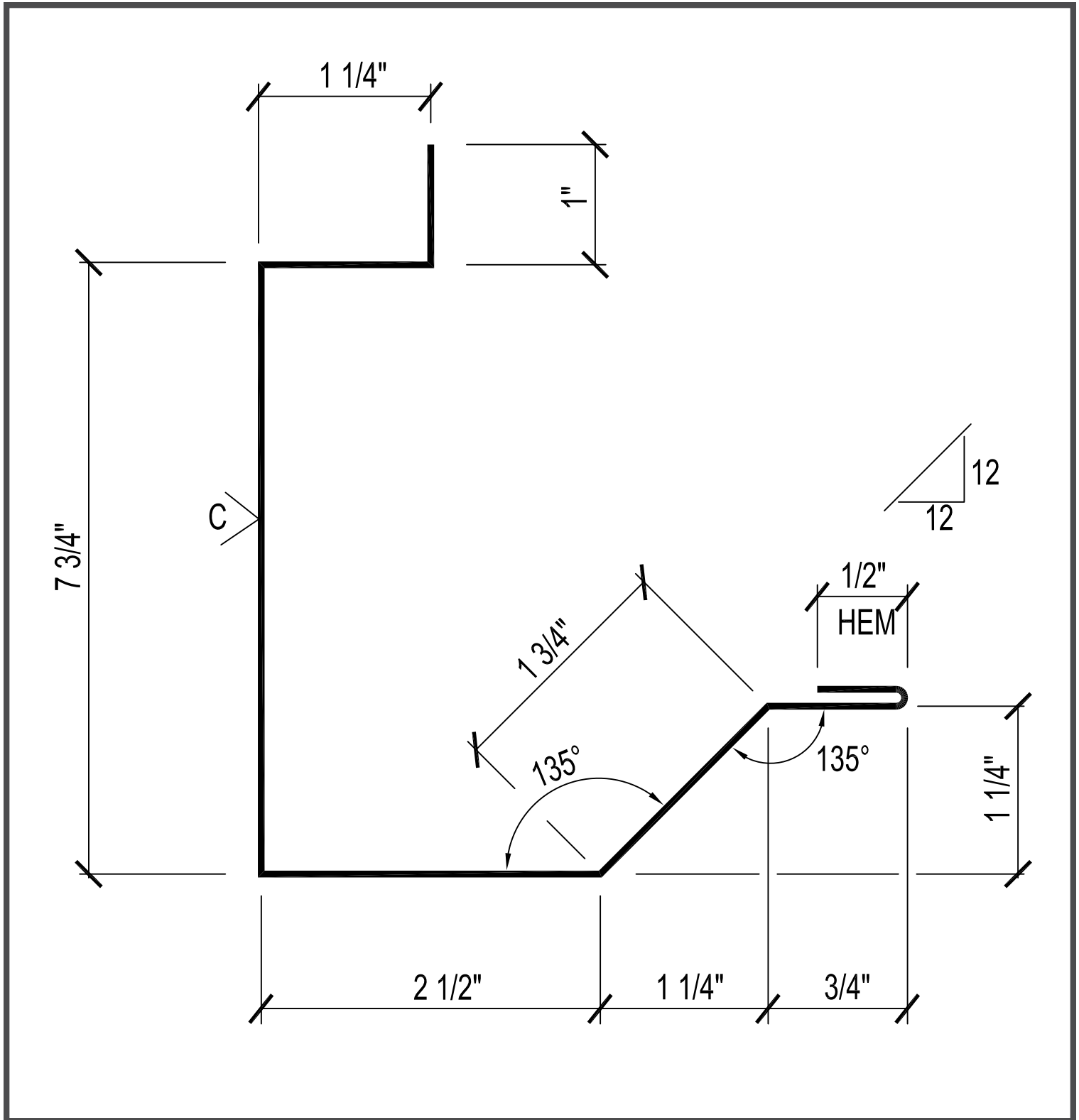
FL-366

RAKE SPACER TRIM W/O SOFFIT
("PBR" PANEL 12" PURLIN)(SSR PANEL 10" PURLIN)

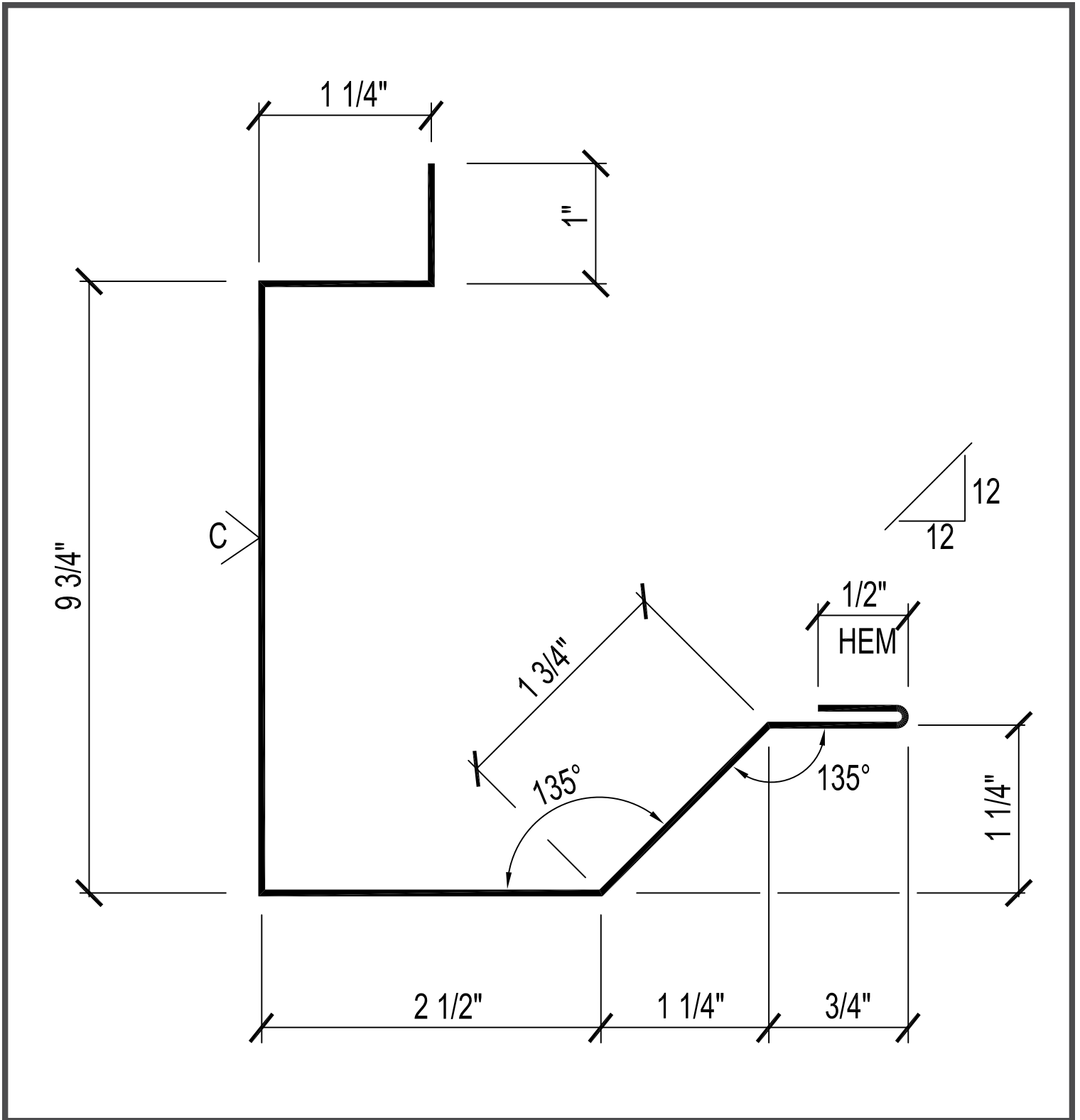


FL-367

RAKE SPACER TRIM WITH PBR SOFFIT
("PBR" PANEL 10" PURLIN)(SSR PANEL 8" PURLIN)

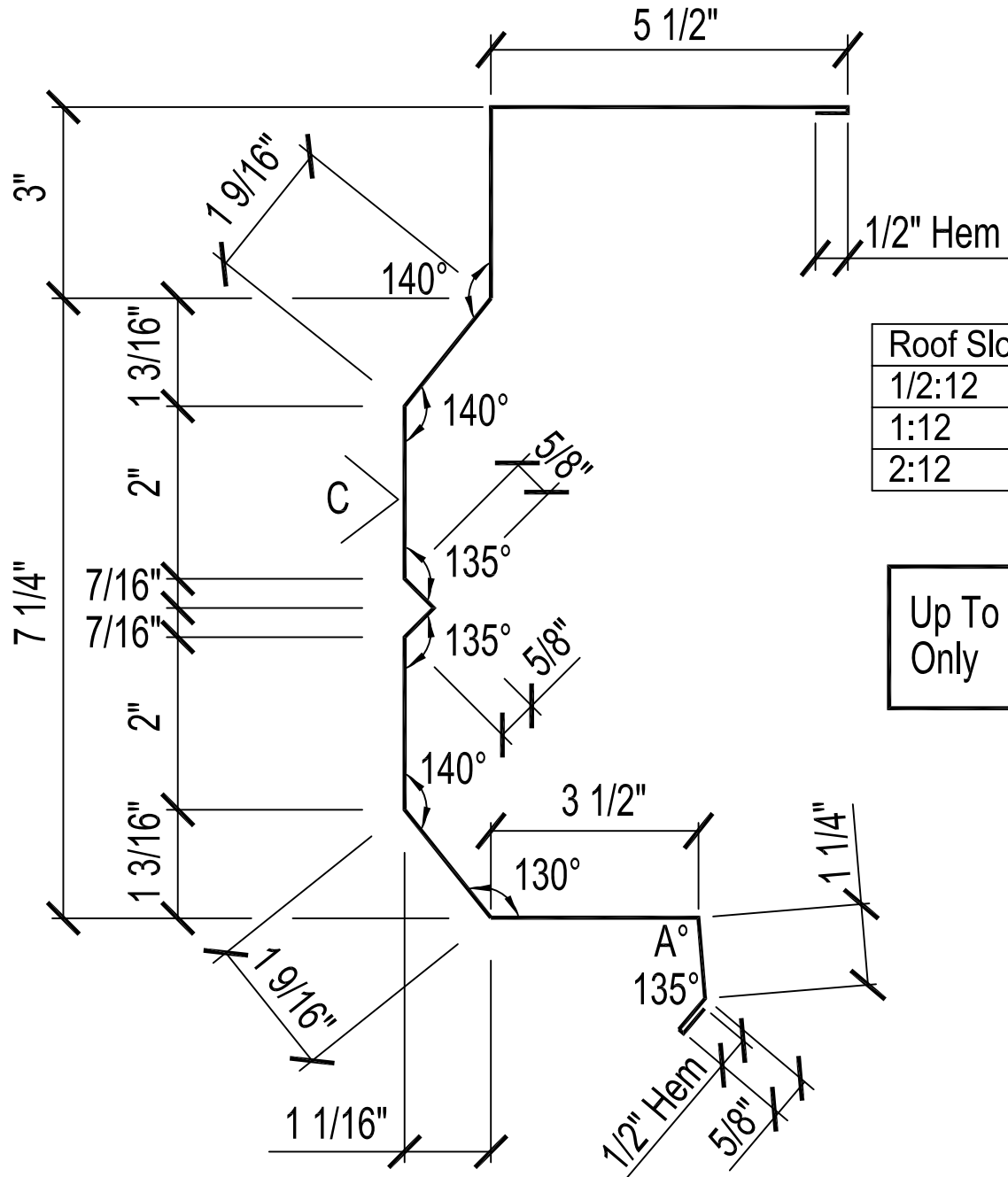


FL-368 **RAKE SPACER TRIM WITH PBR SOFFIT**
 ("PBR" PANEL 12" PURLIN)(SSR PANEL 10" PURLIN)



FL-370

HIGH EAVE TRIM
(SHADOW)(NORTHERN STYLE- TS-324 ROOF)

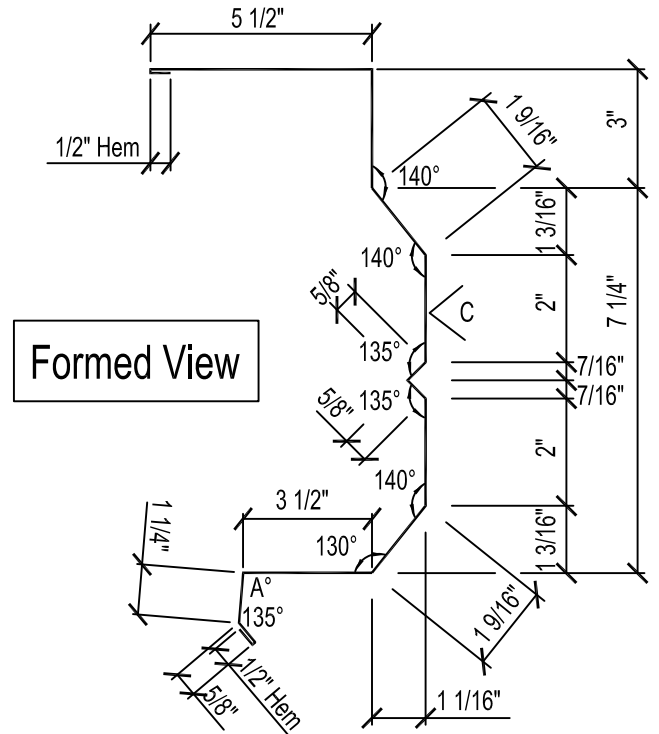
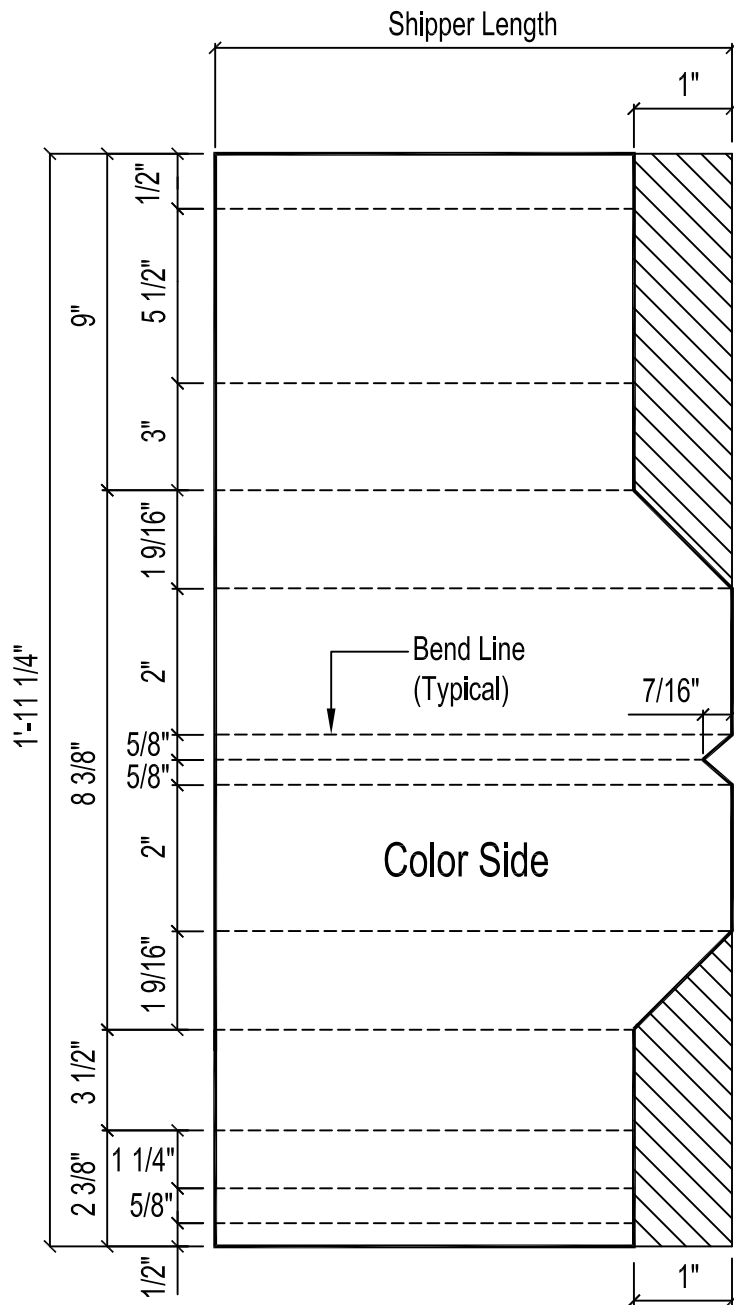


Roof Slope	A
1/2:12	92
1:12	95
2:12	99

Up To 2:12
Only

FL-370 R
FL-370 L

MITERED HIGH SIDE EAVE TRIM
(SHADOW)(NORTHERN STYLE- TS-324 ROOF)

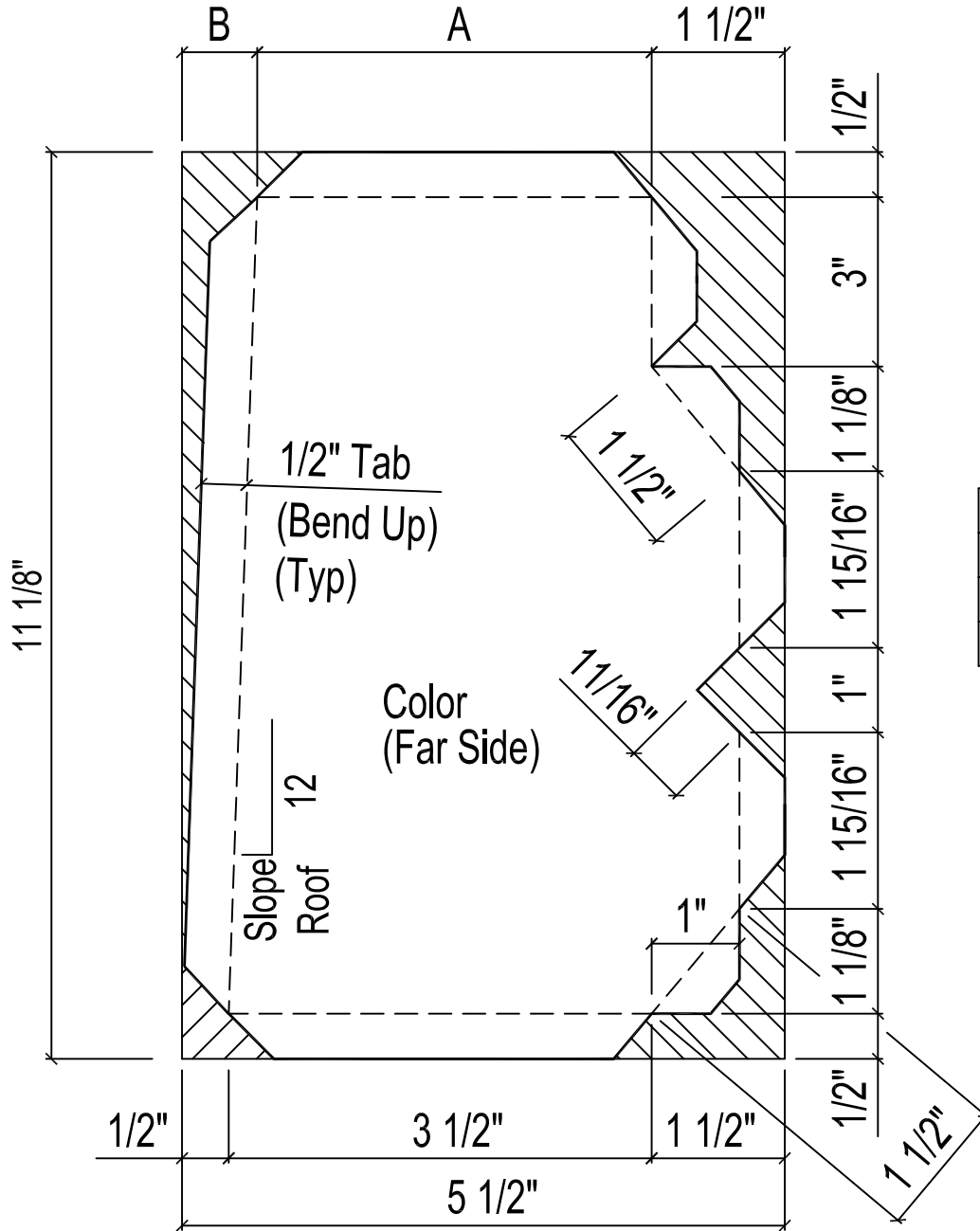


Roof Slope	A
1/2:12	92
1:12	95
2:12	99

Up To 2:12
Only

FL-371 R
 FL-371 L

HIGH SIDE END CAP
 (NORTHERN STYLE- TS-324)(SHADOW)

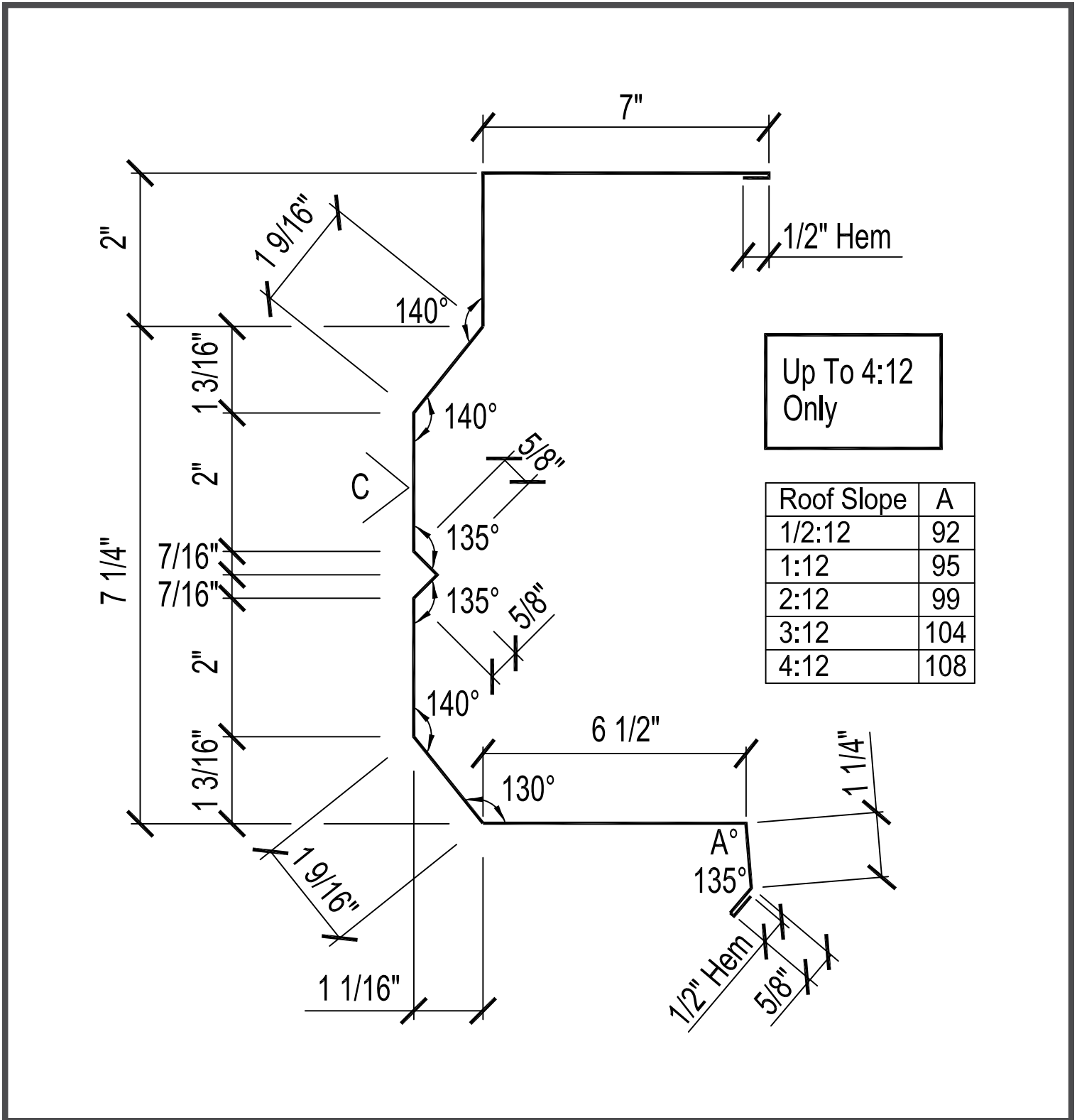


Roof Slope	A	B
1/2:12	3 1/16"	15/16"
1:12	2 9/16"	1 7/16"
2:12	1 3/4"	2 1/4"

Specify Roof Slope

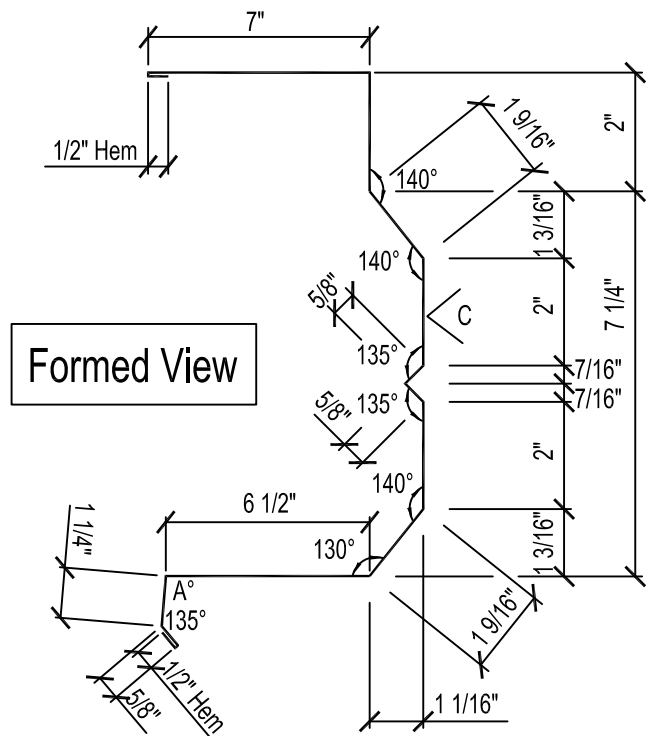
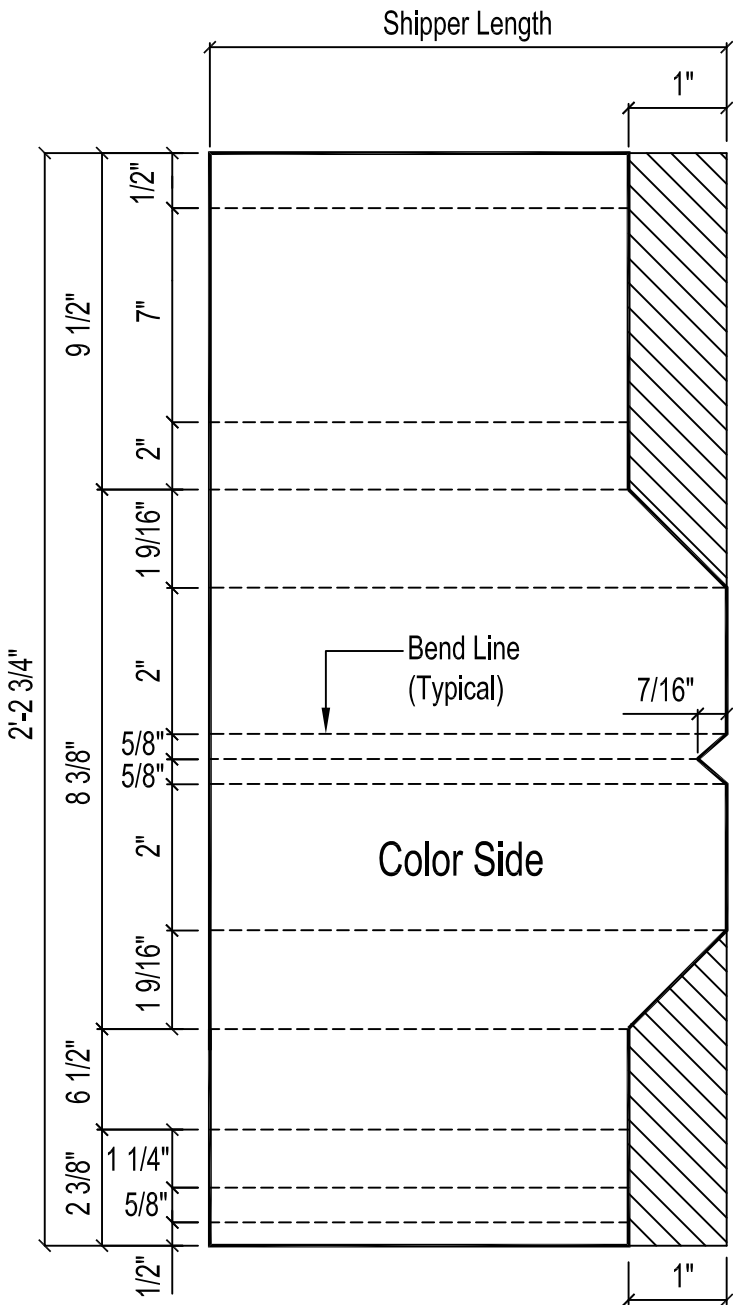
FL-372

HIGH EAVE TRIM
(NORTHERN STYLE- VS-216 ROOF)(SHADOW)



FL-372 R
 FL-372 L

MITERED HIGH SIDE EAVE TRIM
 (NORTHERN STYLE- VS-216 ROOF)(SHADOW)



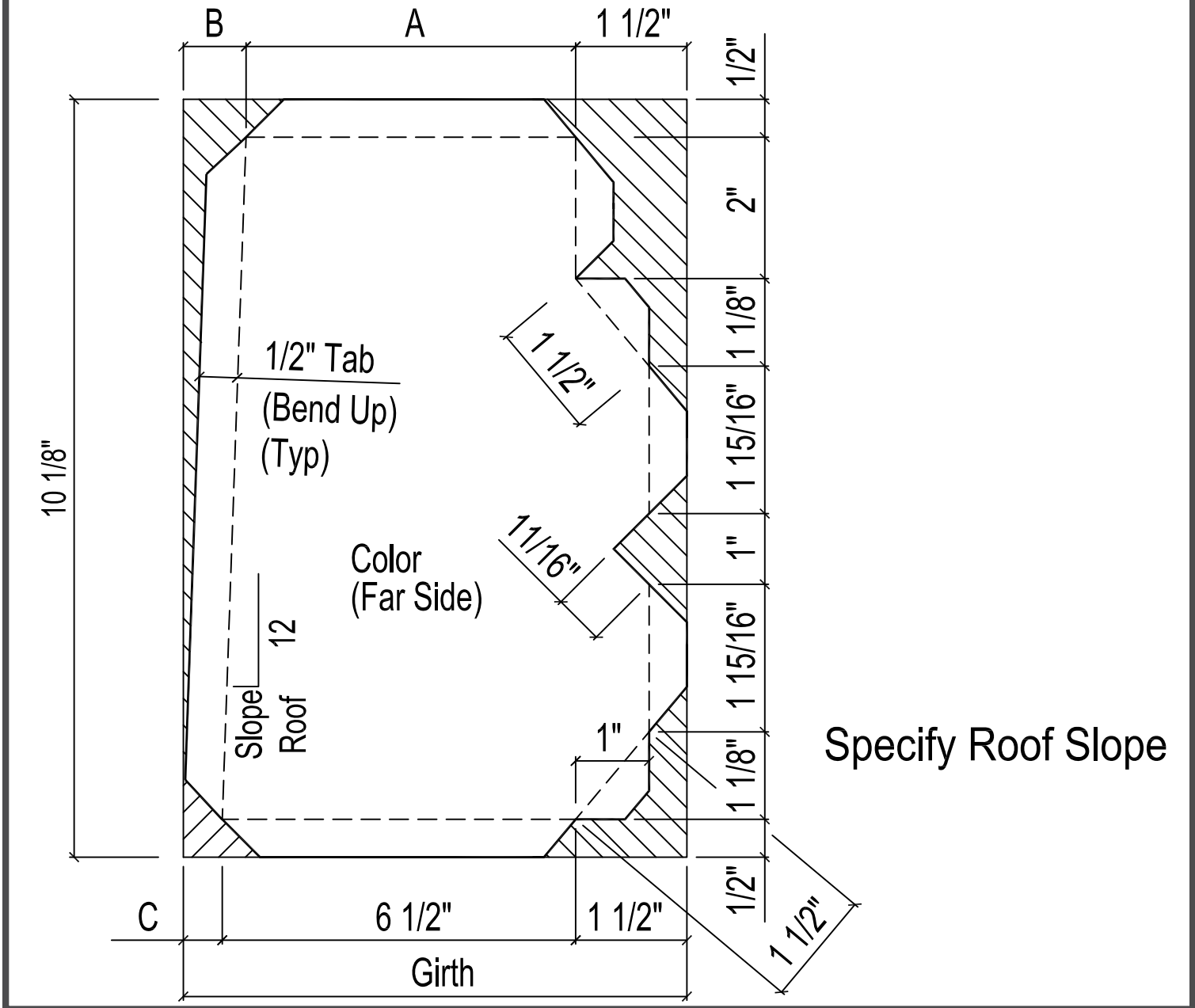
Up To 4:12
 Only

Roof Slope	A
1/2:12	92
1:12	95
2:12	99
3:12	104
4:12	108

FL-373 R
 FL-373 L

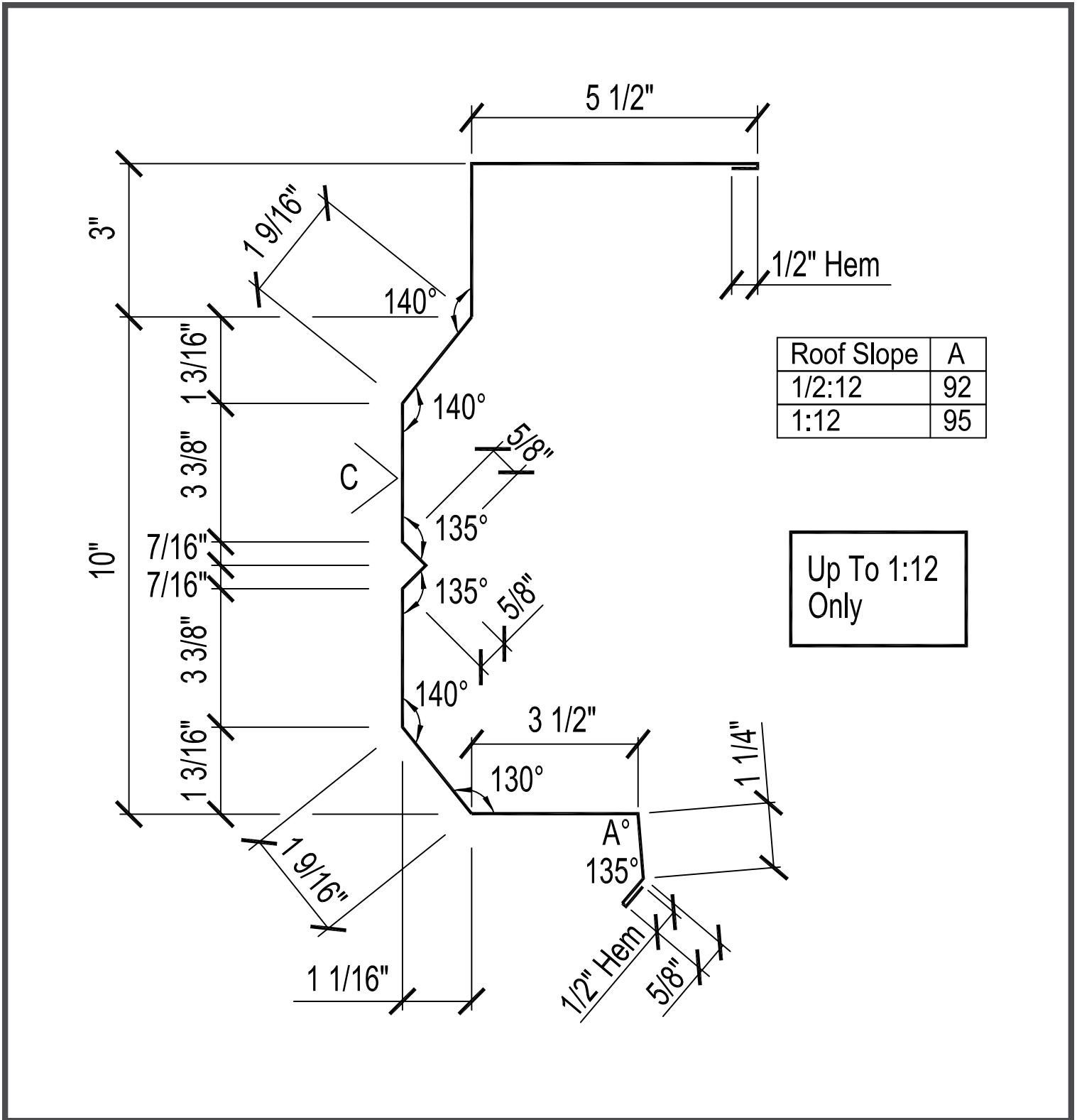
HIGH EAVE END CAP
 (NORTHERN STYLE- VS-216 ROOF)(SHADOW)

Roof Slope	A	B	C	Girth
1/2:12	6 1/8"	7/8"	1/2"	9 1/8"
1:12	5 3/4"	1 1/4"	1/2"	9 1/8"
2:12	4 15/16"	2"	7/16"	9 1/16"
3:12	4 3/16"	2 3/4"	7/16"	9 1/16"
4:12	3 3/8"	3 1/2"	3/8"	9"

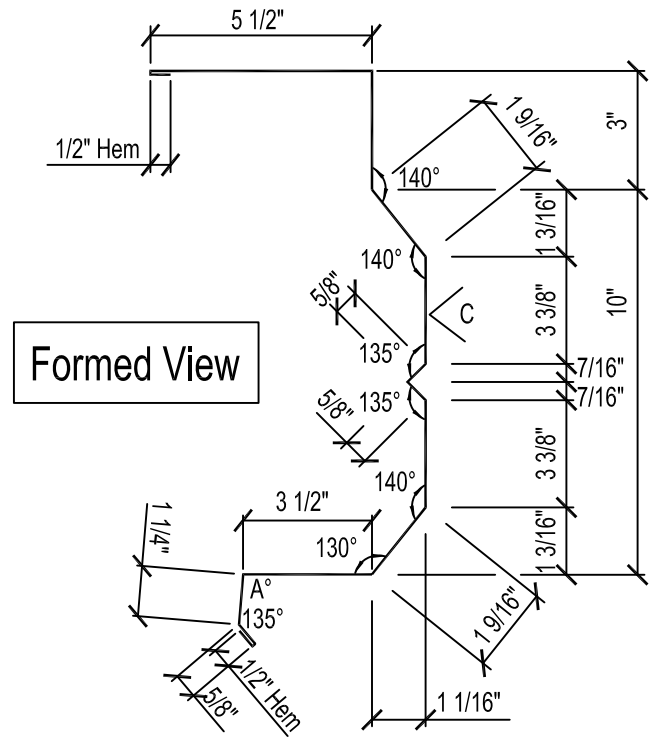
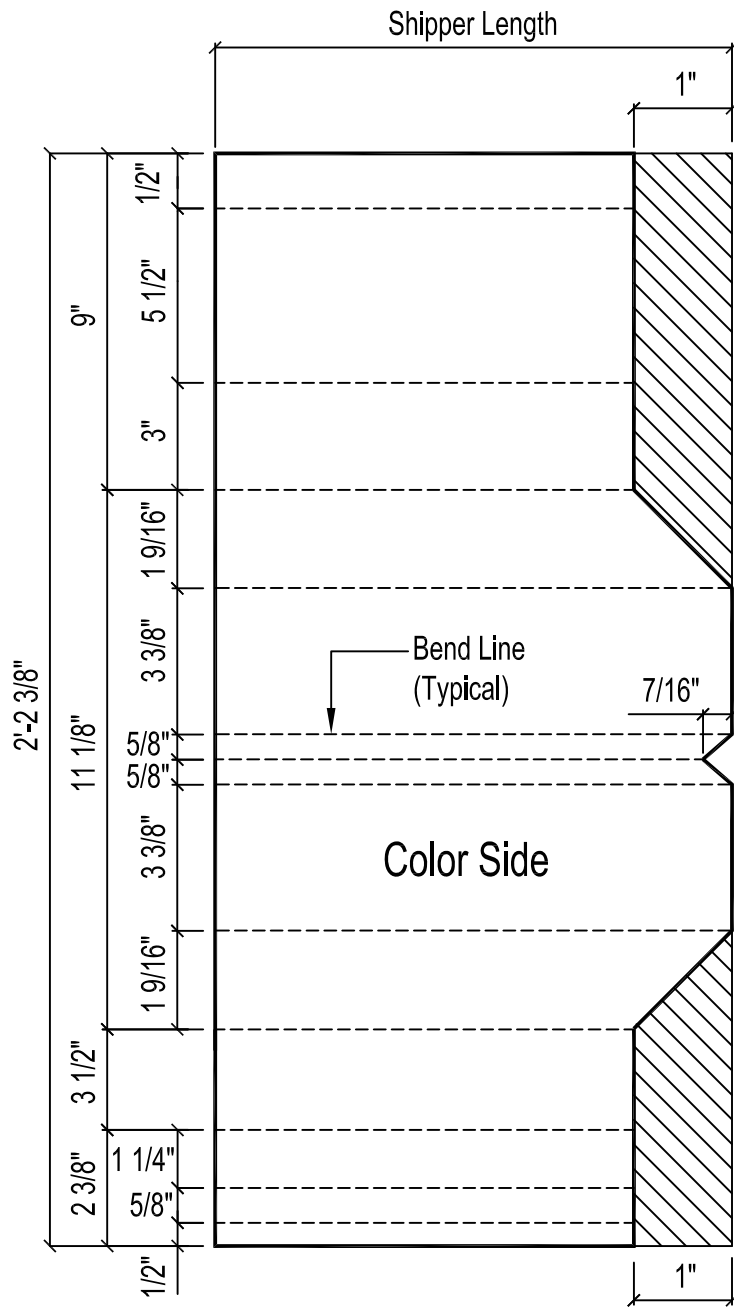


FL-374

10" HIGH EAVE TRIM
(NORTHERN STYLE- TS-324 ROOF)(SHADOW)



FL-374 R 10" MITERED HIGH SIDE EAVE TRIM
FL-374 L (NORTHERN STYLE- TS-324 ROOF)(SHADOW)



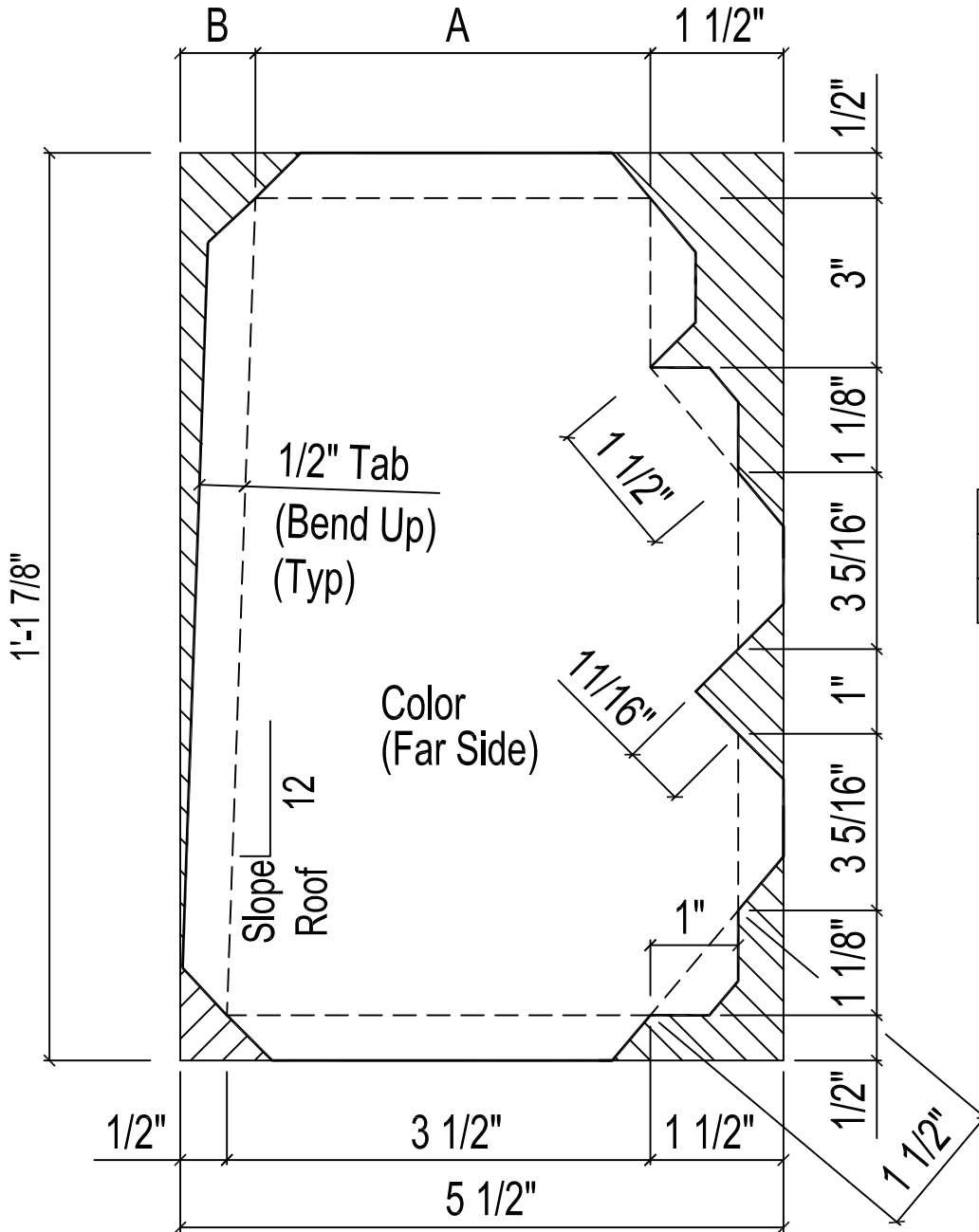
Formed View

Roof Slope	A
1/2:12	92
1:12	95

Up To 1:12
Only

FL-375 R
 FL-375 L

10" HIGH SIDE END CAP
 (NORTHERN STYLE- TS-324)(SHADOW)



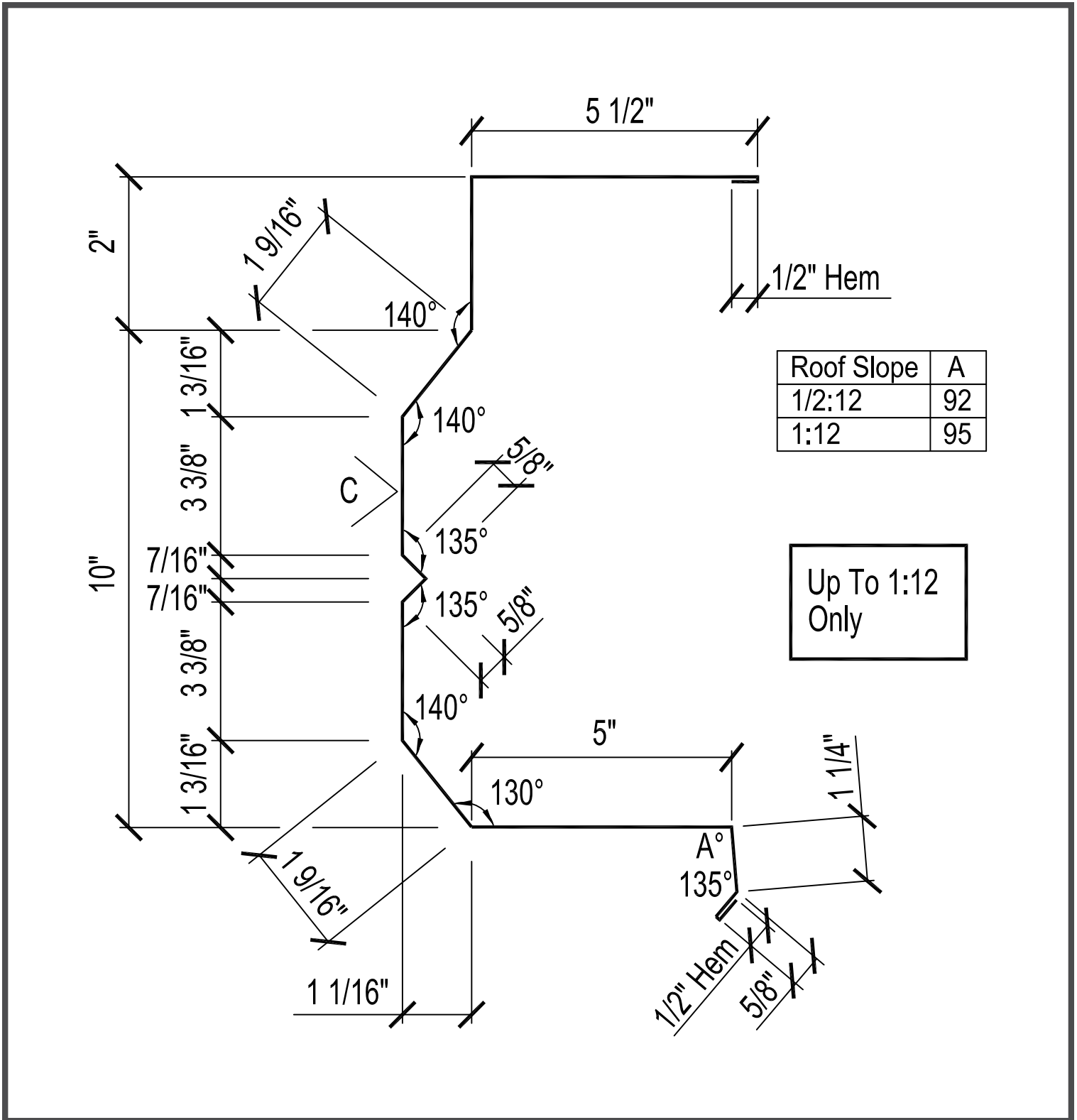
Roof Slope	A	B
1/2:12	2 15/16"	1 1/16"
1:12	2 3/8"	1 5/8"

Specify Roof Slope



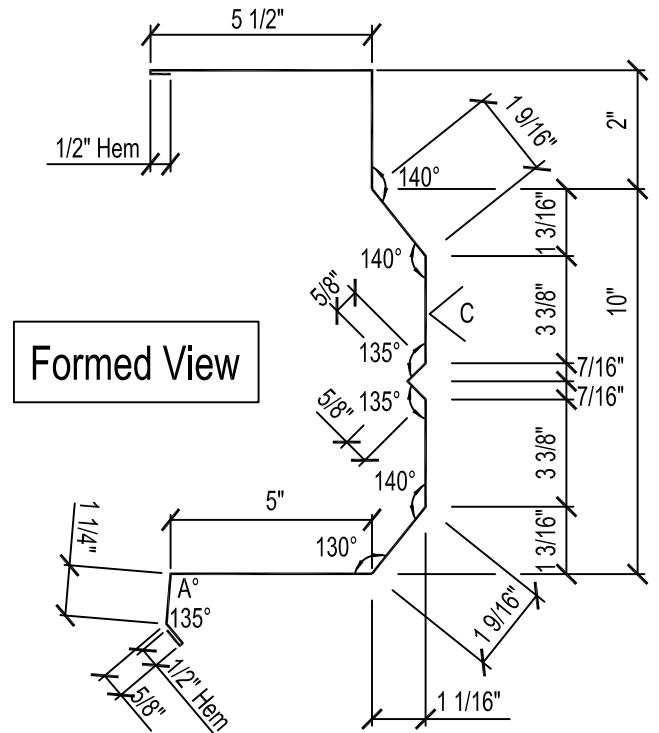
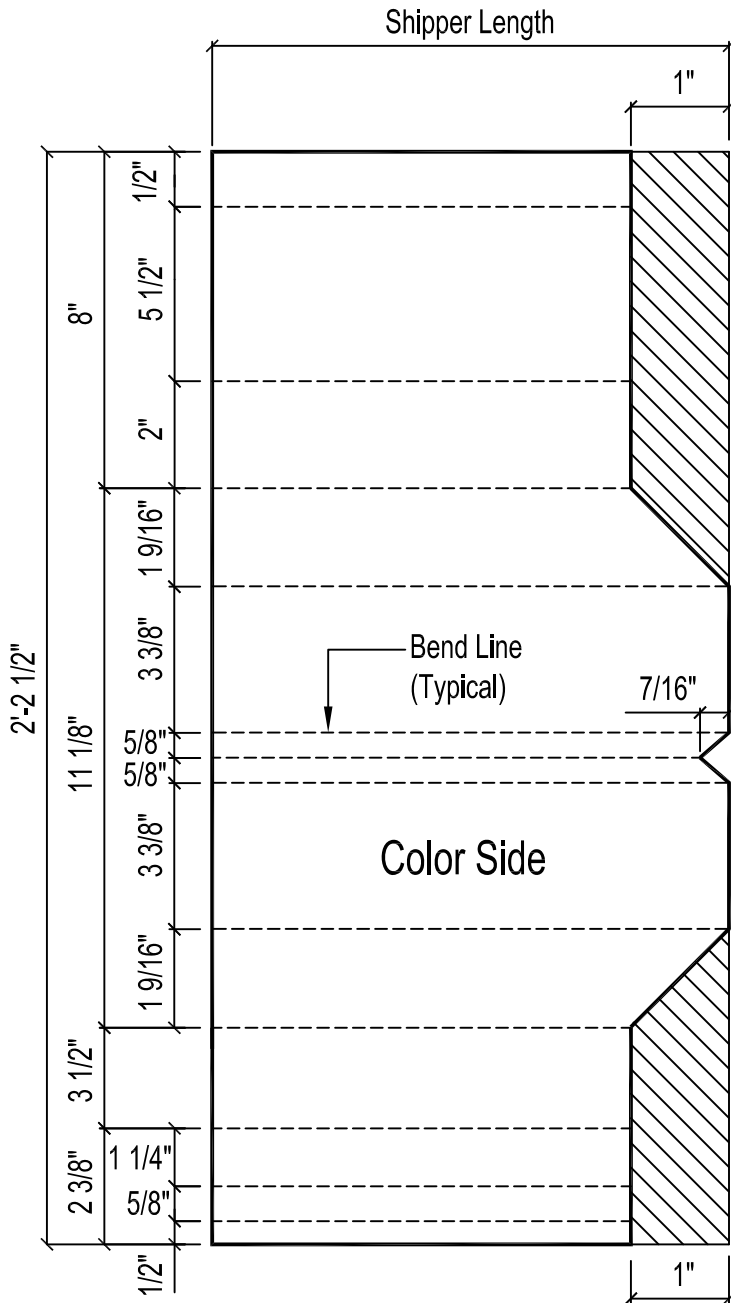
FL-376

10" HIGH EAVE TRIM
(NORTHERN STYLE- VS-216 ROOF)(SHADOW)



FL-376 R
FL-376 L

10" MITERED HIGH SIDE EAVE TRIM
(NORTHERN STYLE- VS-216 ROOF)(SHADOW)

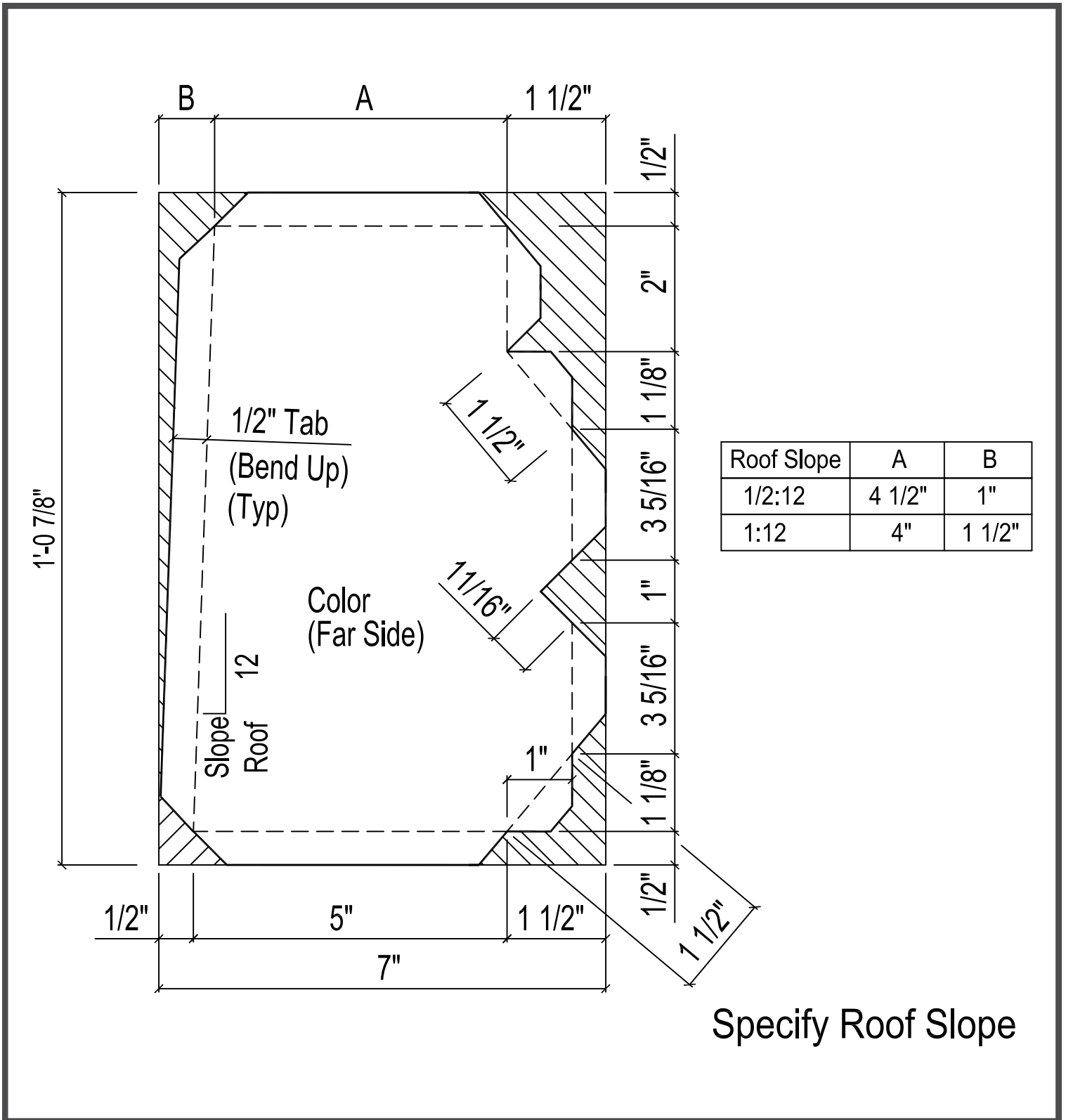


Roof Slope	A
1/2:12	92
1:12	95

Up To 1:12
Only

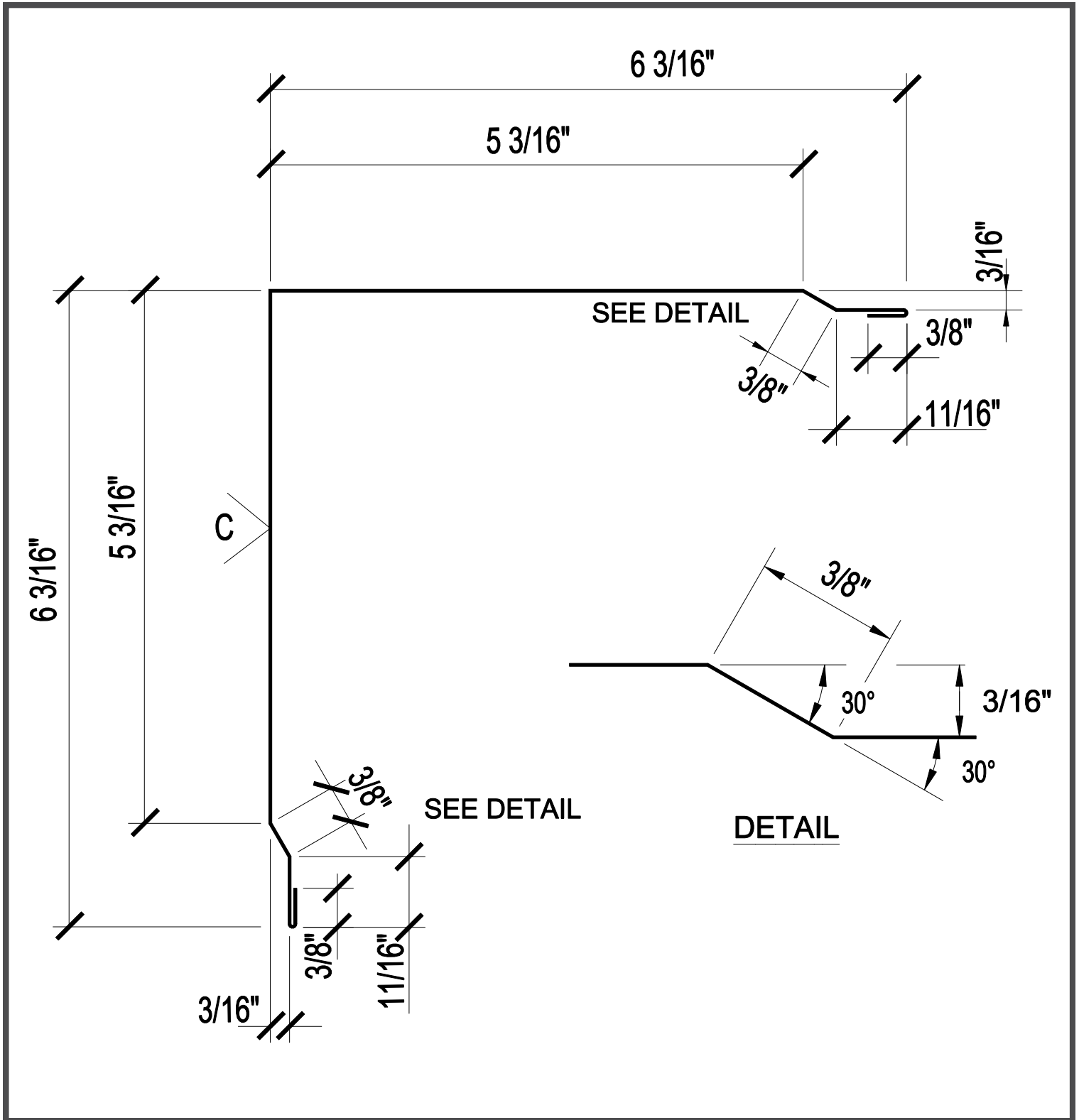
FL-377 R
 FL-377 L

10" HIGH SIDE END CAP
 (NORTHERN STYLE- VS-216)(SHADOW)



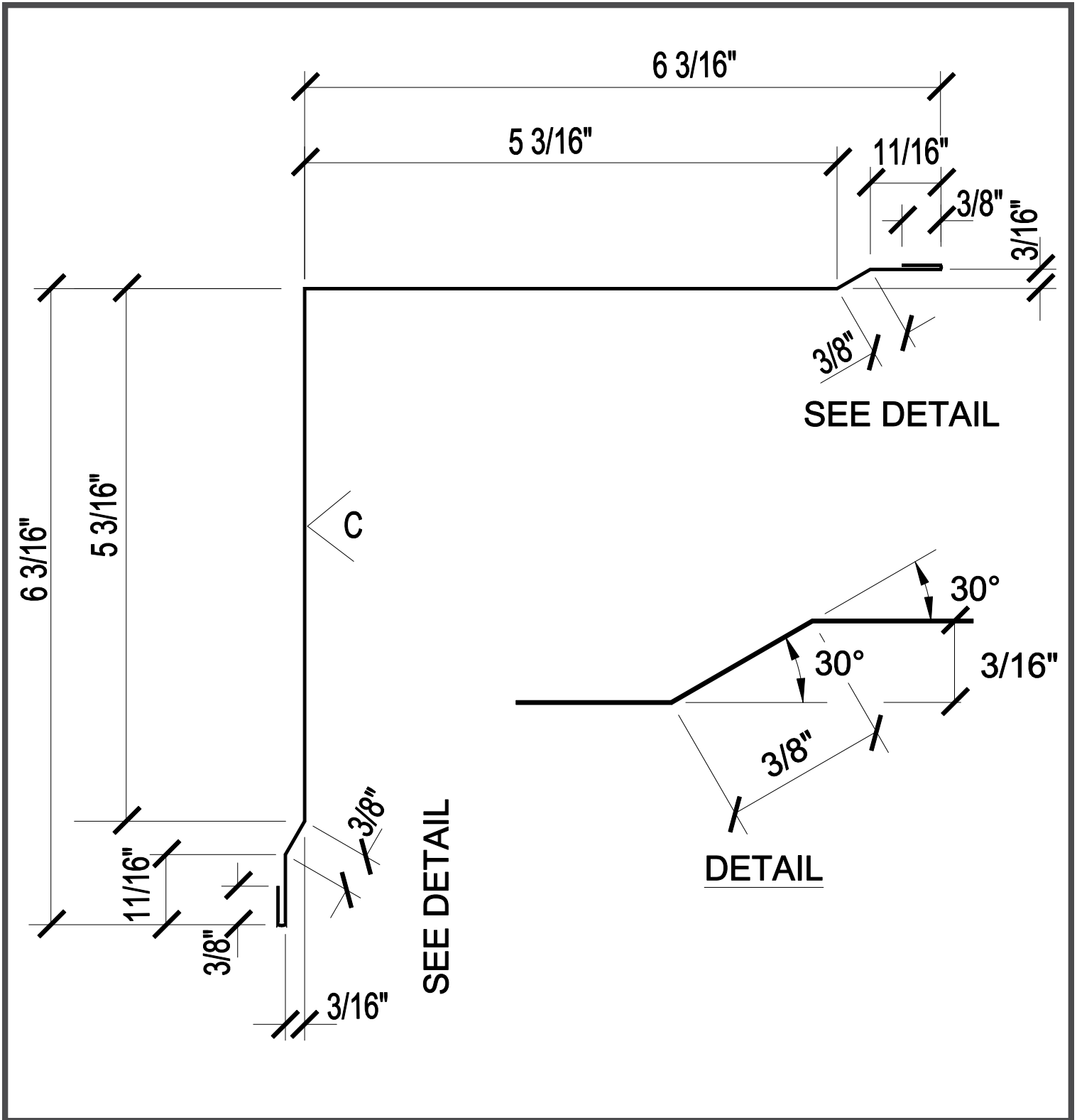
FL-800

CORNER TRIM
("RW9" PANEL)



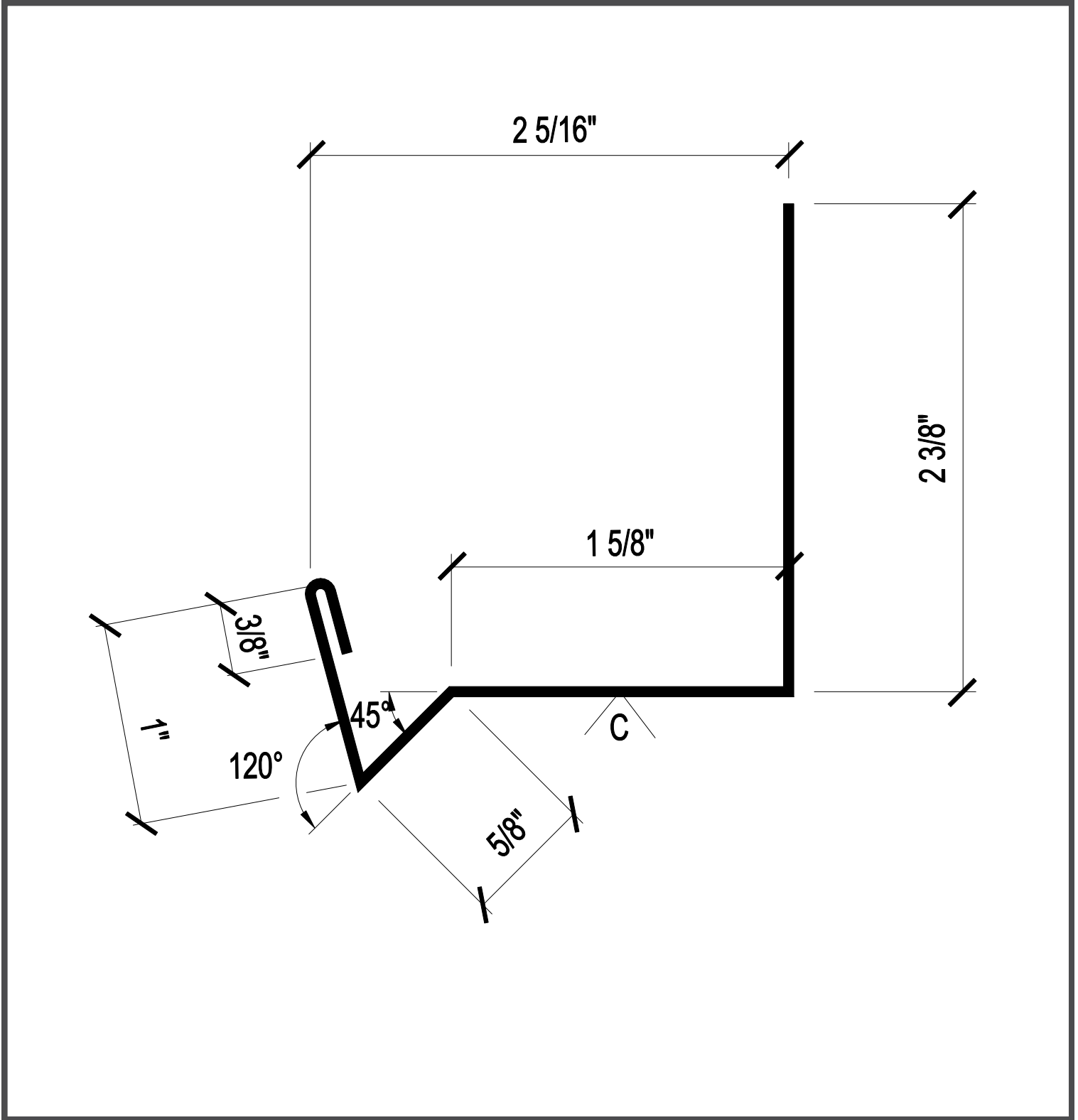
FL-803

INSIDE CORNER TRIM
("RW9" PANEL)



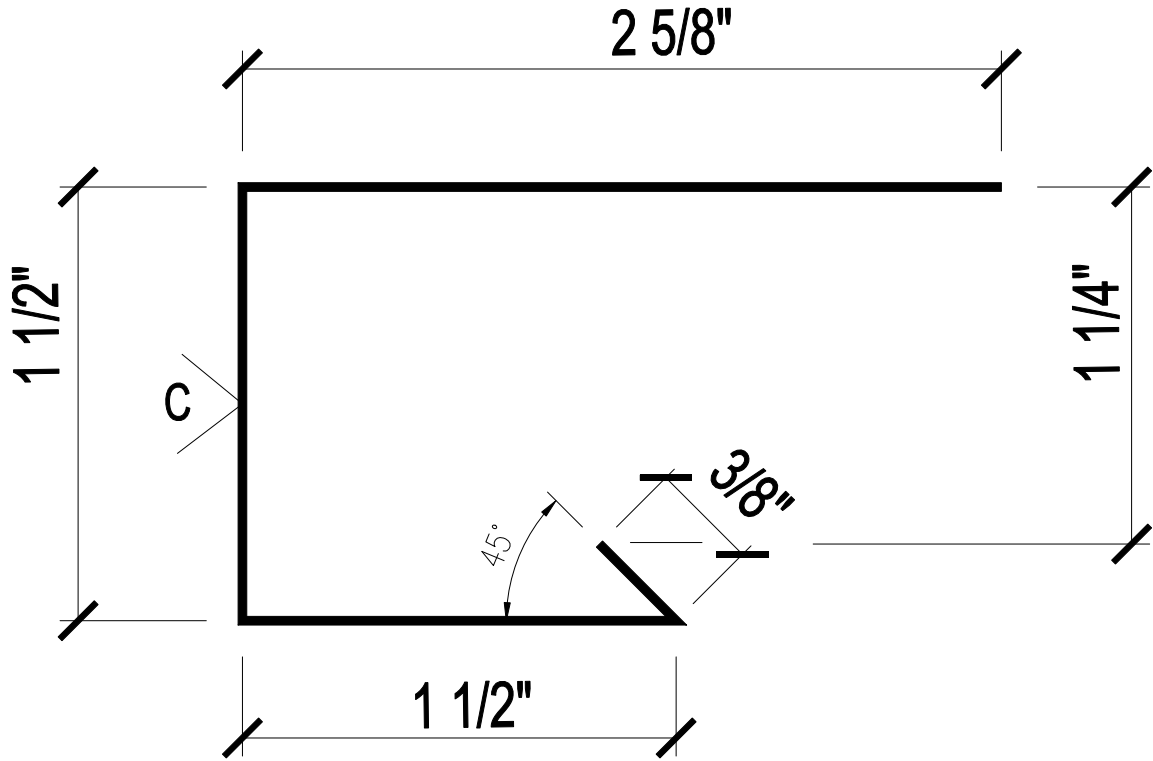
FL-805

HEAD TRIM
("RW9" PANEL)



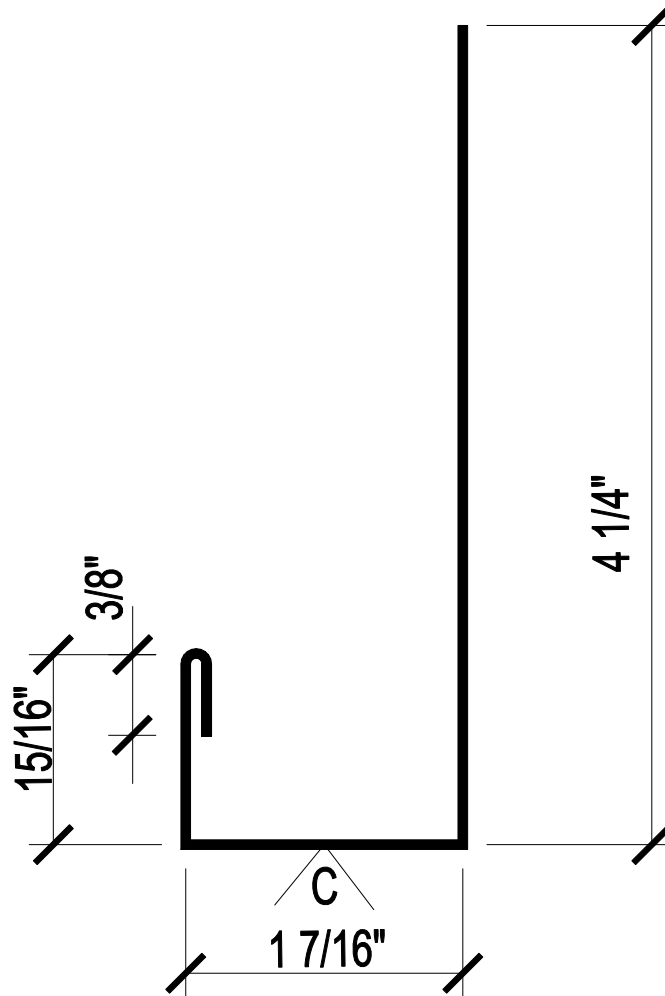
FL-810

JAMB TRIM
("RW9" PANEL)



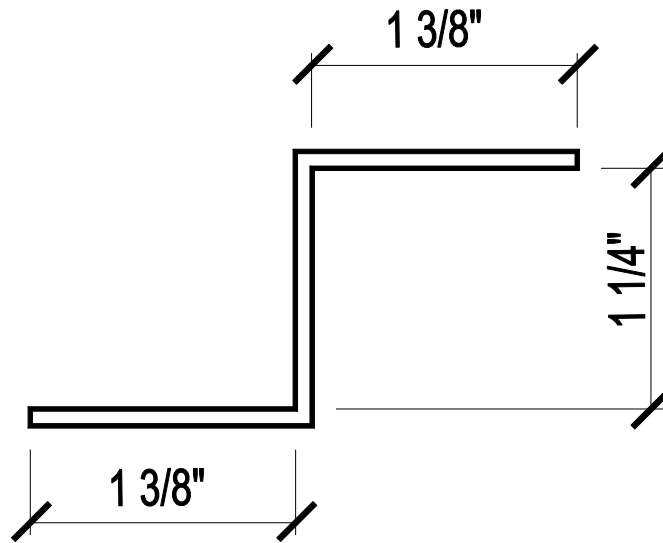
FL-811

JAMB TRIM
("RW9" PANEL)



FL-815

SUPPORT TRIM
("RW9" PANEL)



GALVALUME

FL-820

CORNER TRIM
("RW9" PANEL)(OPEN WALL)

