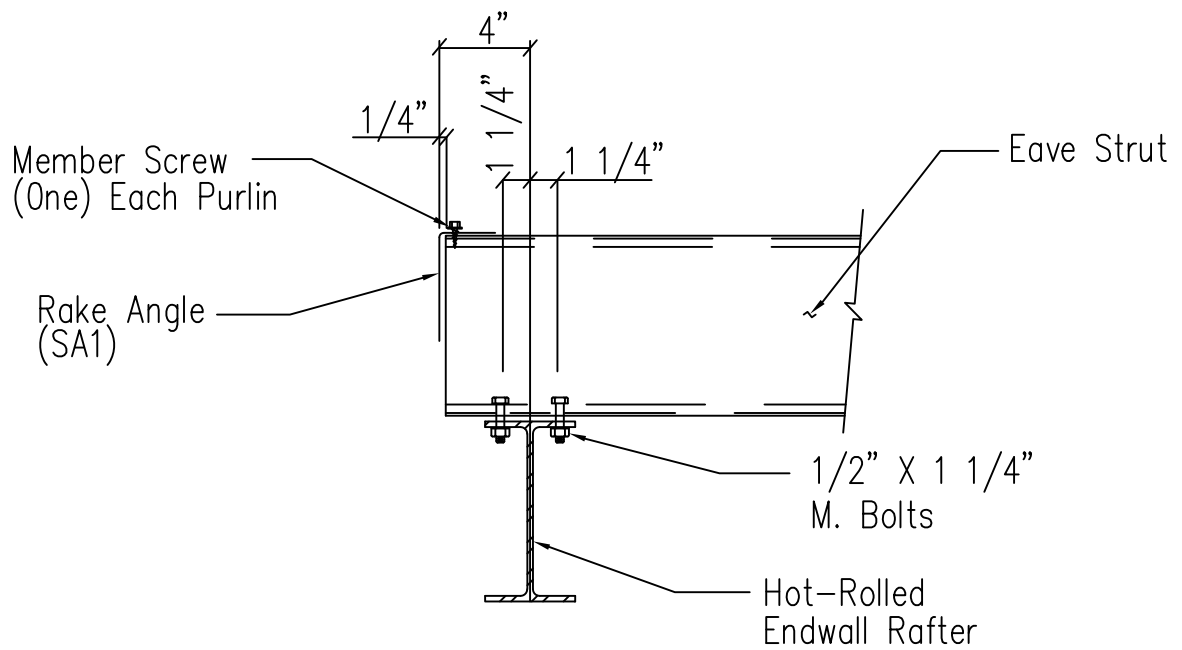
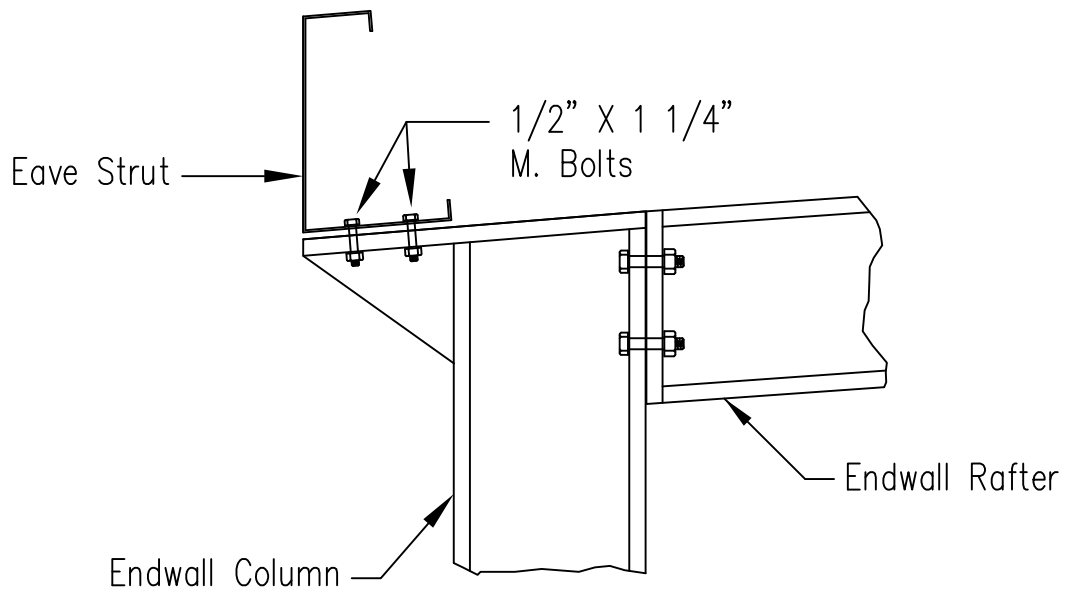


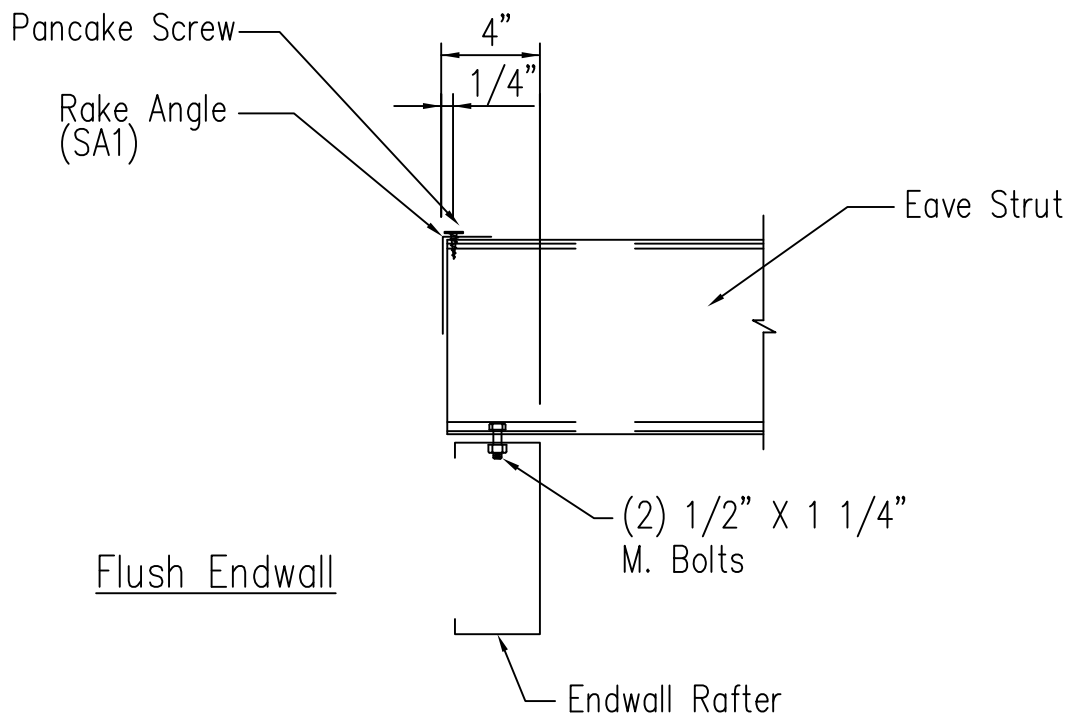
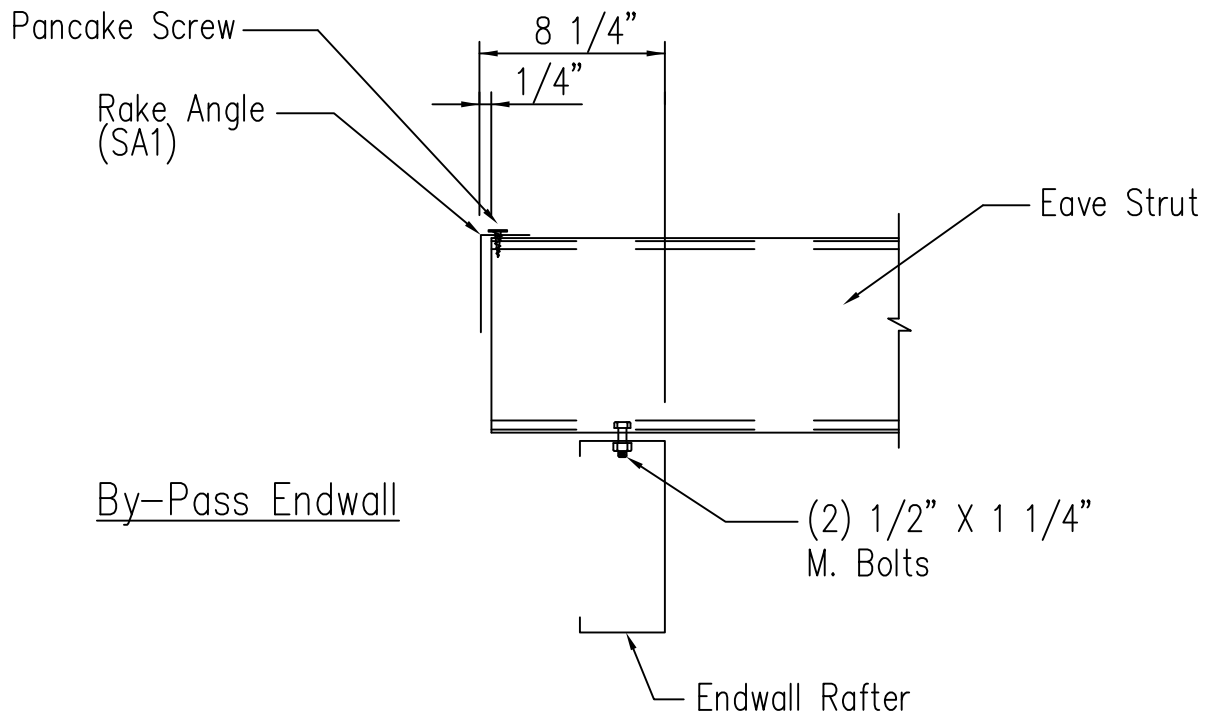
Corner Column Connection WF Rafter/Column
Flush Sidewall

DRAWING NO.
SD12



Corner Column Connection WF Rafter/Column
By-Pass Sidewall

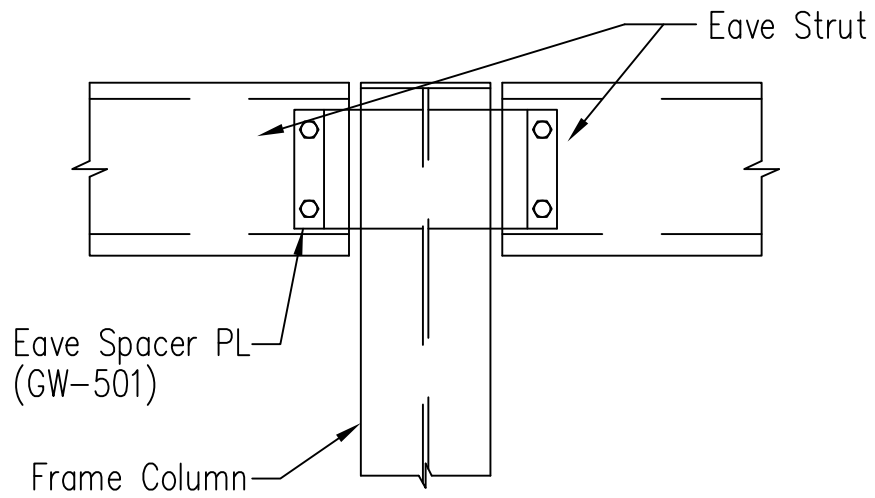
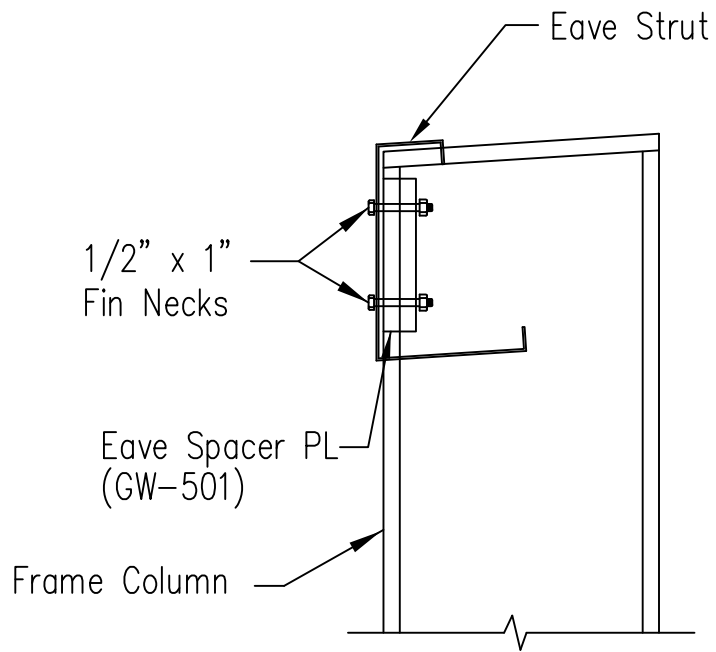
DRAWING NO.
SD13



Eave Strut to Cold Form Rafter Connection

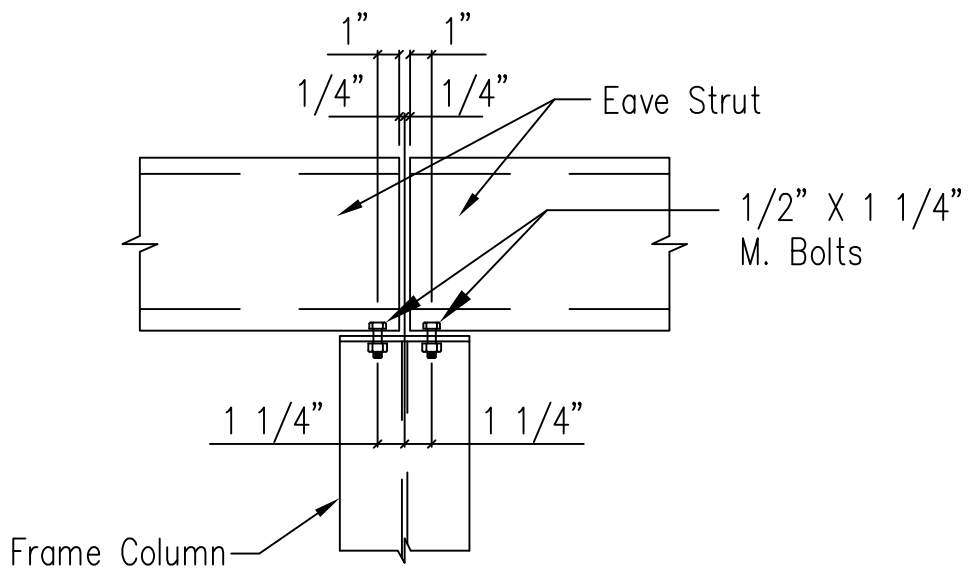
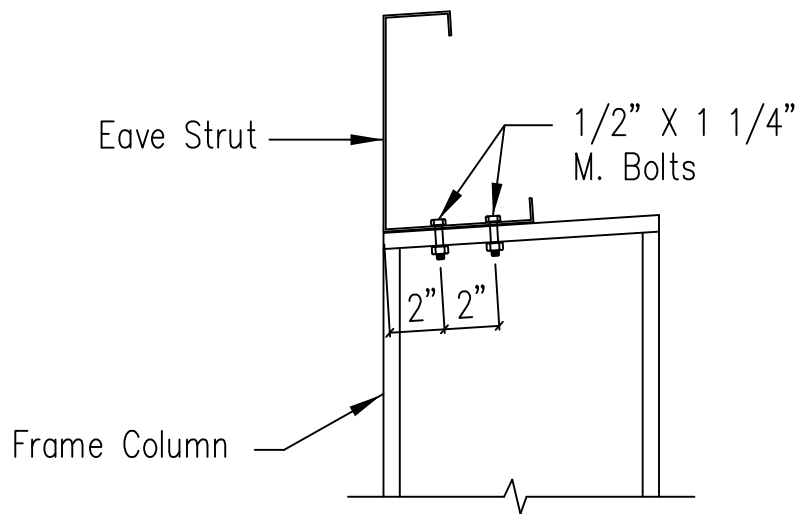
DRAWING NO.

SD15



Eave Strut at Interior Column
 Flush Sidewall

DRAWING NO.
 SD57

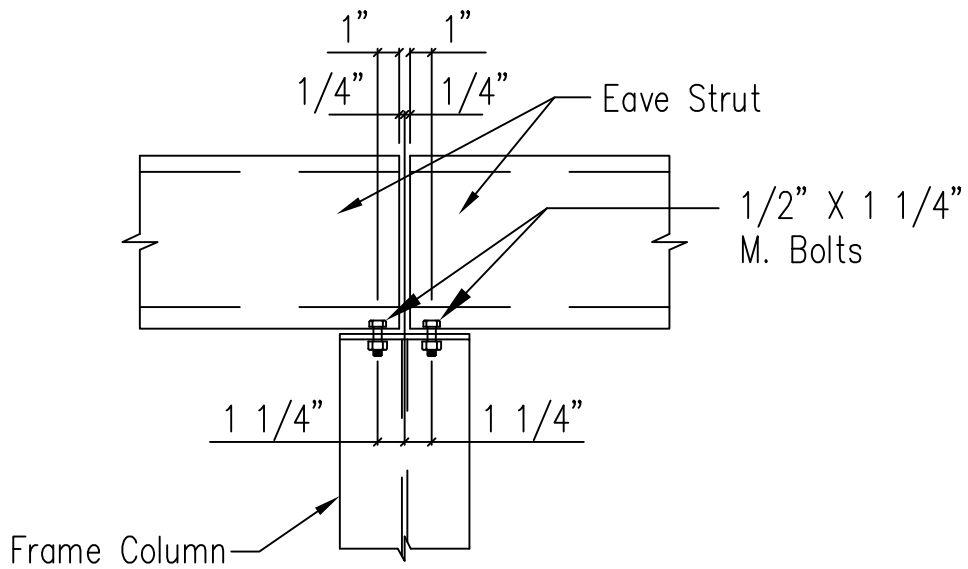
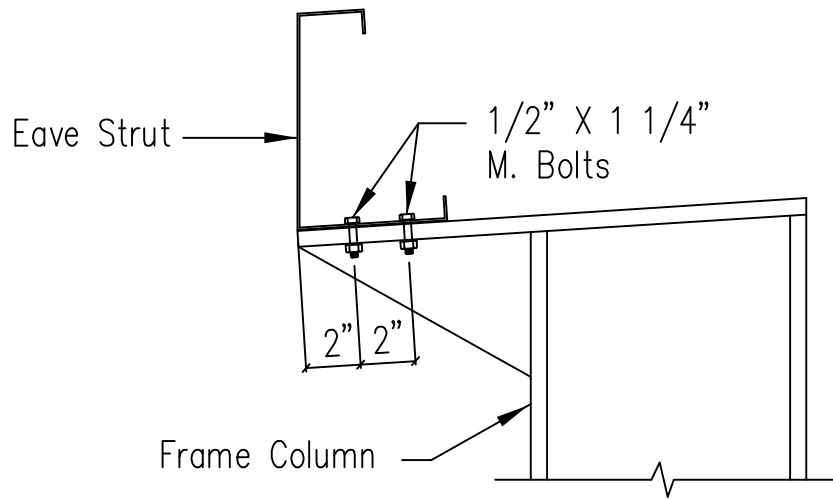


Eave Strut at Interior Column

Flush Sidewall

DRAWING NO.

SD58

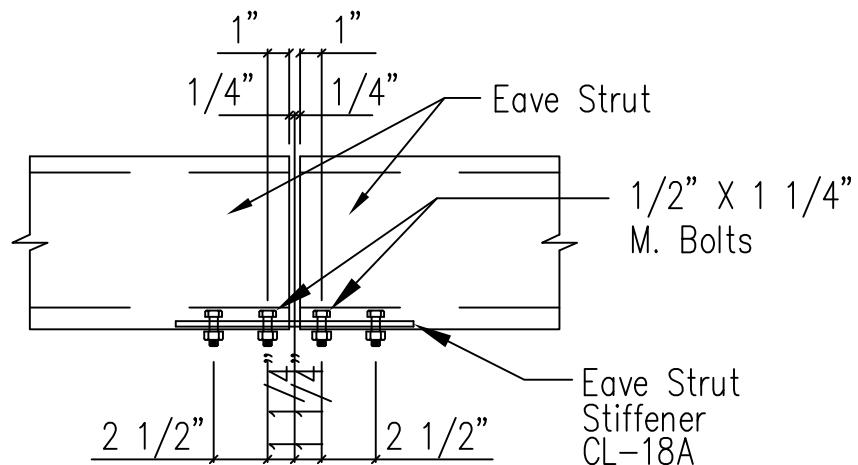
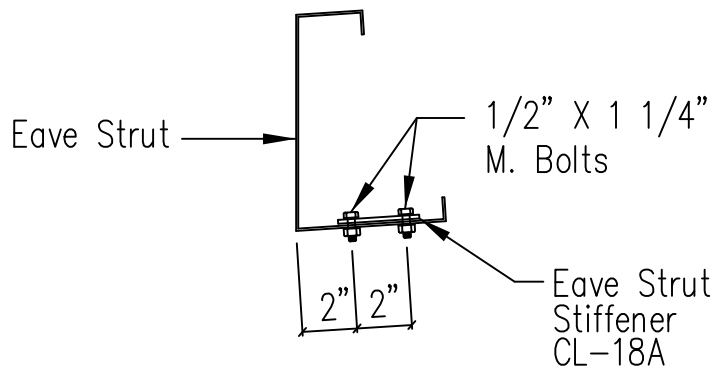
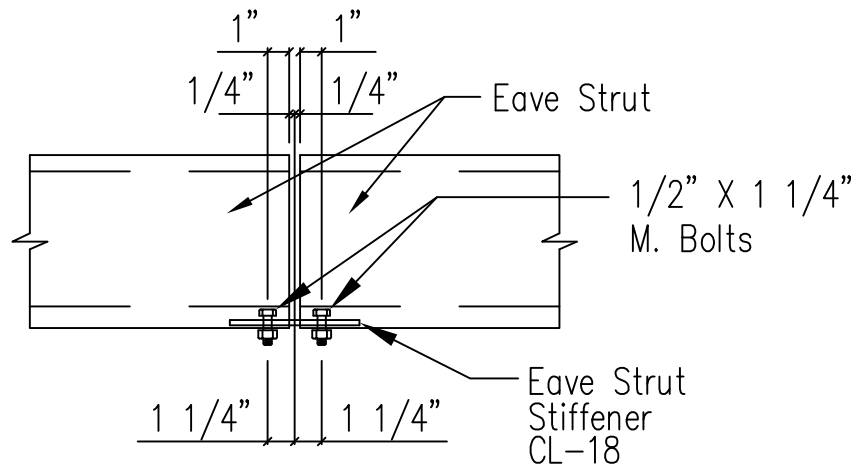
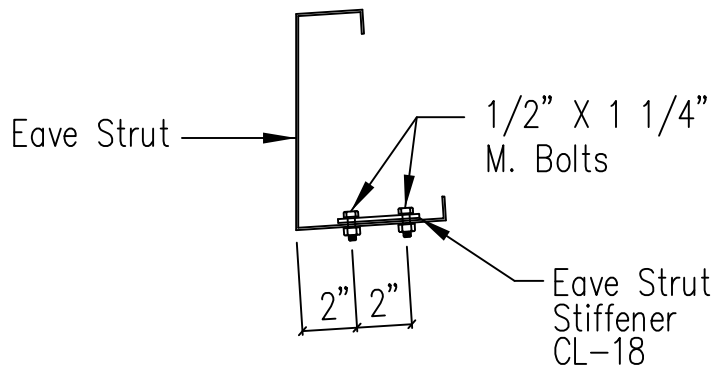


Eave Strut at Interior Column

By-Pass Sidewall

DRAWING NO.

SD59

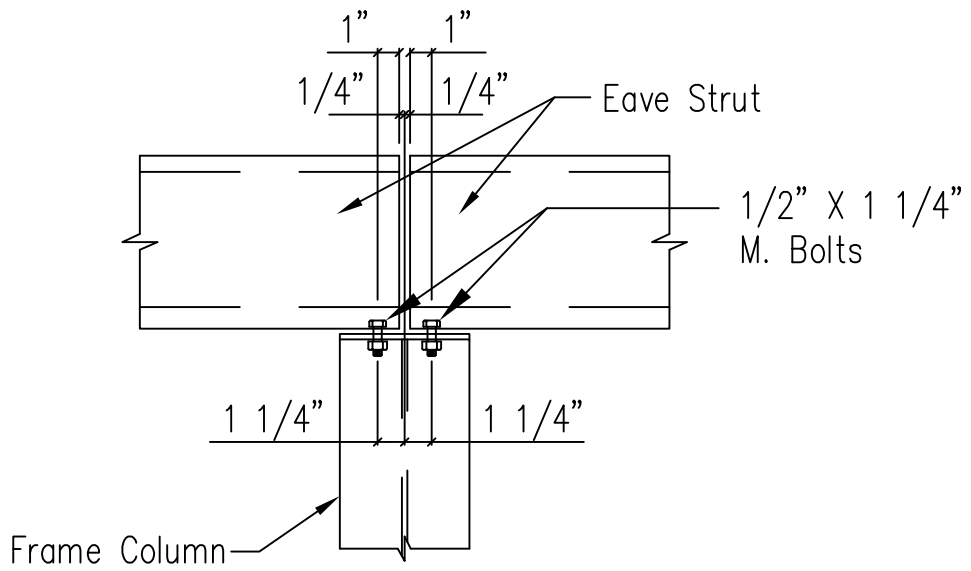
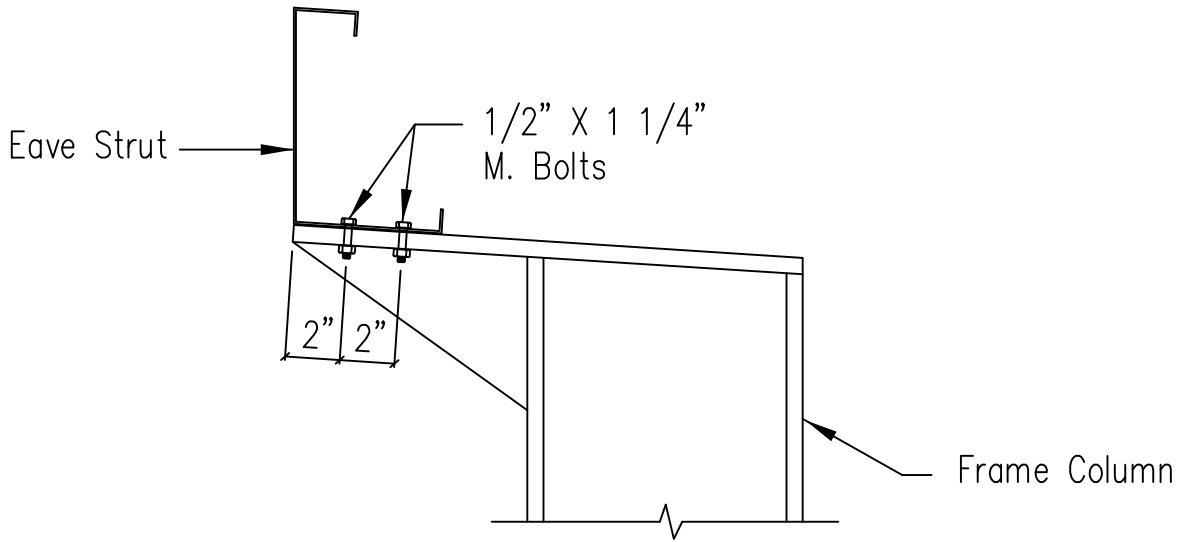


Eave Strut Stiffener Plate

Low Eave

DRAWING NO.

SD60

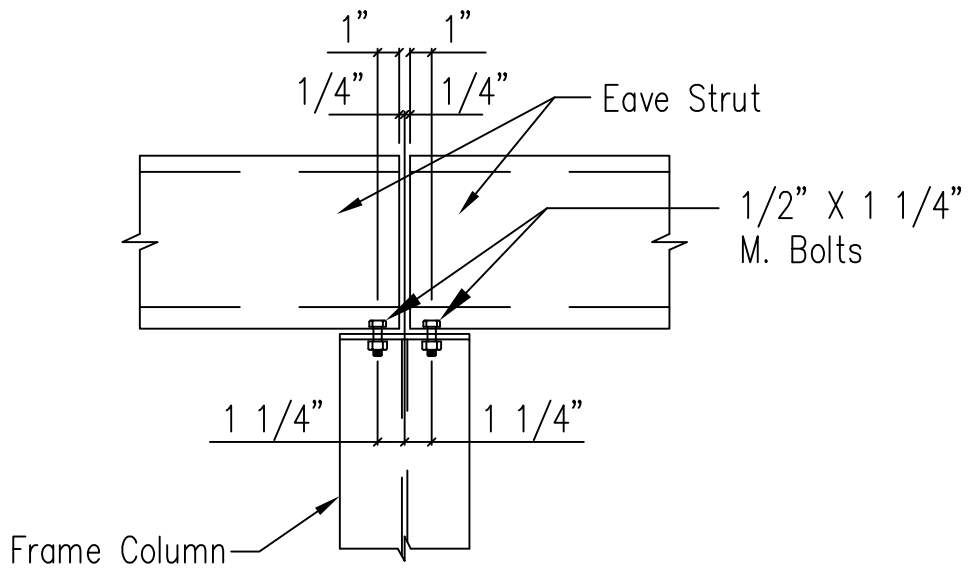
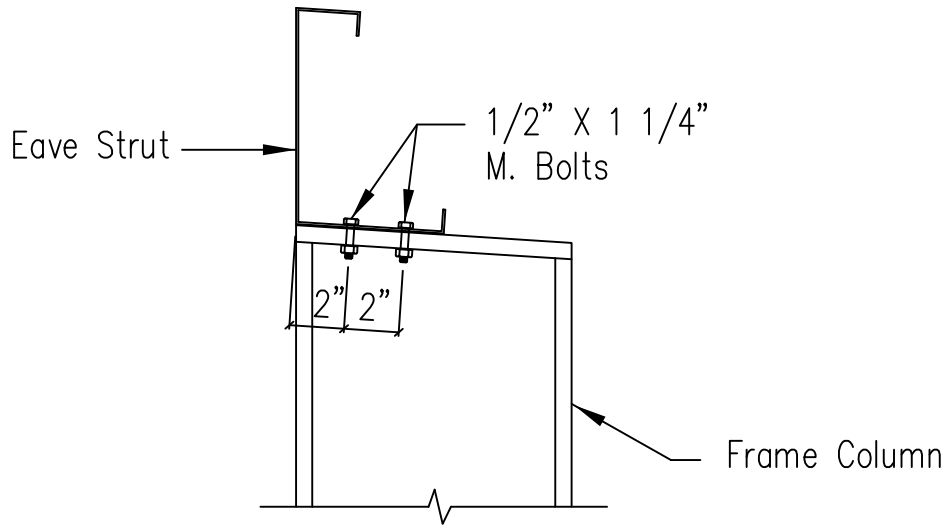


Eave Strut at High Side Column

By-Pass Sidewall

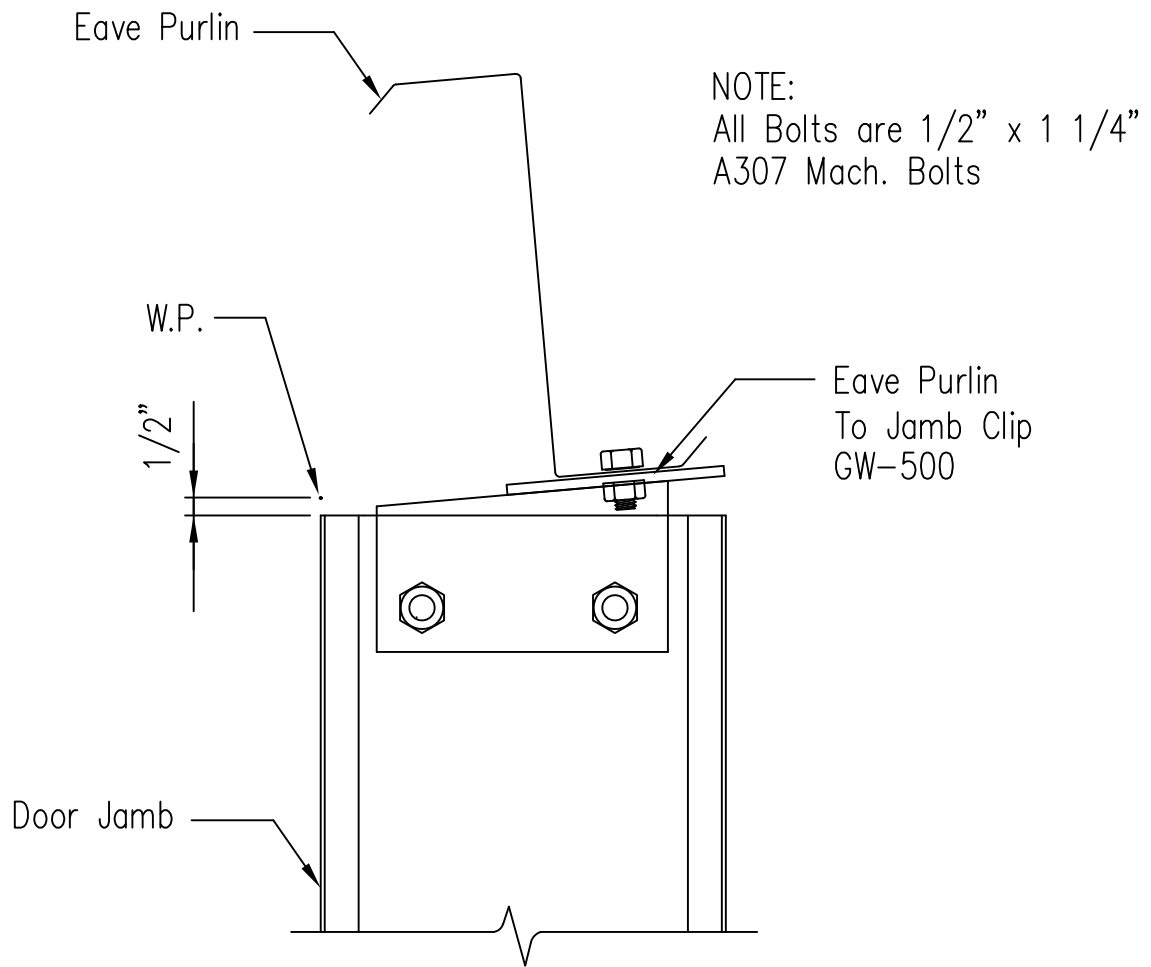
DRAWING NO.

SD61



Eave Strut at High Side Column
 Flush Sidewall

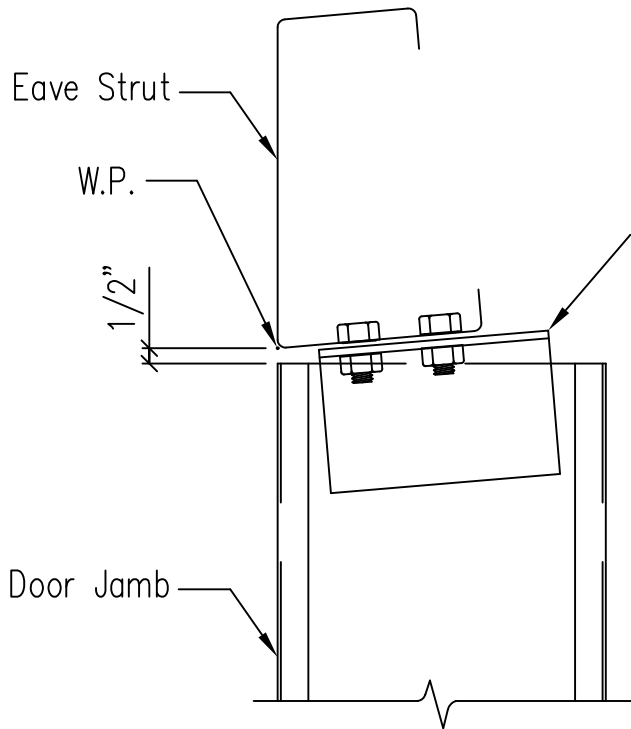
DRAWING NO.
 SD62



Jamb To Eave Strut
7:12 Roof Pitch and Higher

DRAWING NO.

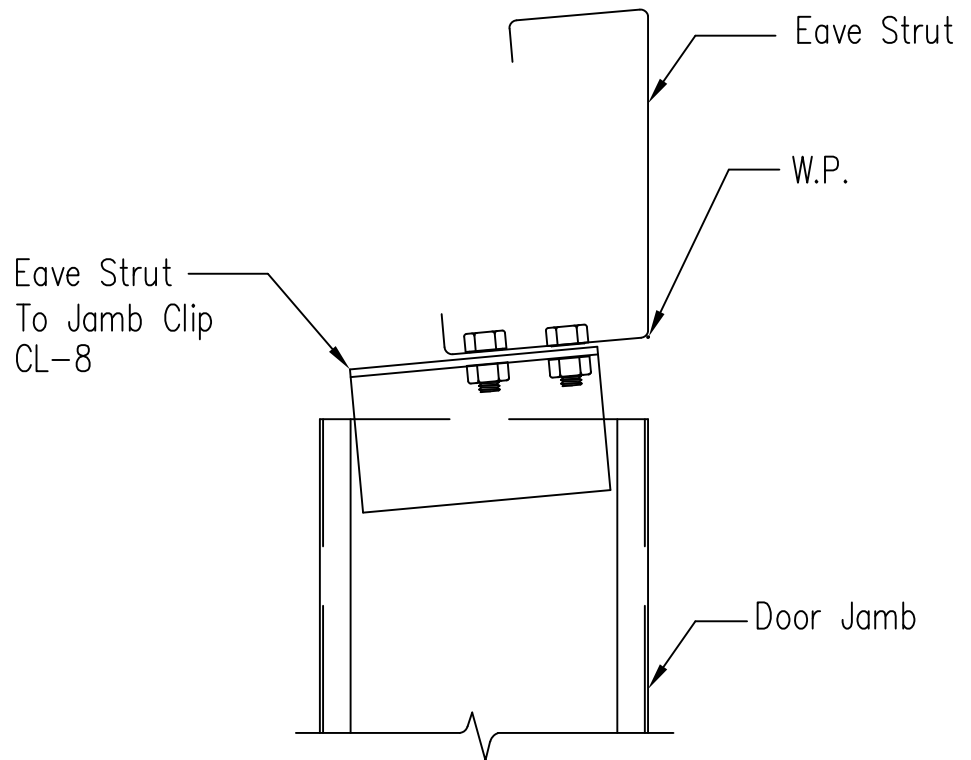
SD89



Eave Strut
To Jamb Clip
CL-8

NOTE:
All Bolts are 1/2" x 1 1/4"
A307 Mach. Bolts

Low Eave Condition



High Eave Condition

Jamb To Eave Strut
2:12 Roof Pitch and Higher

DRAWING NO.

SD97