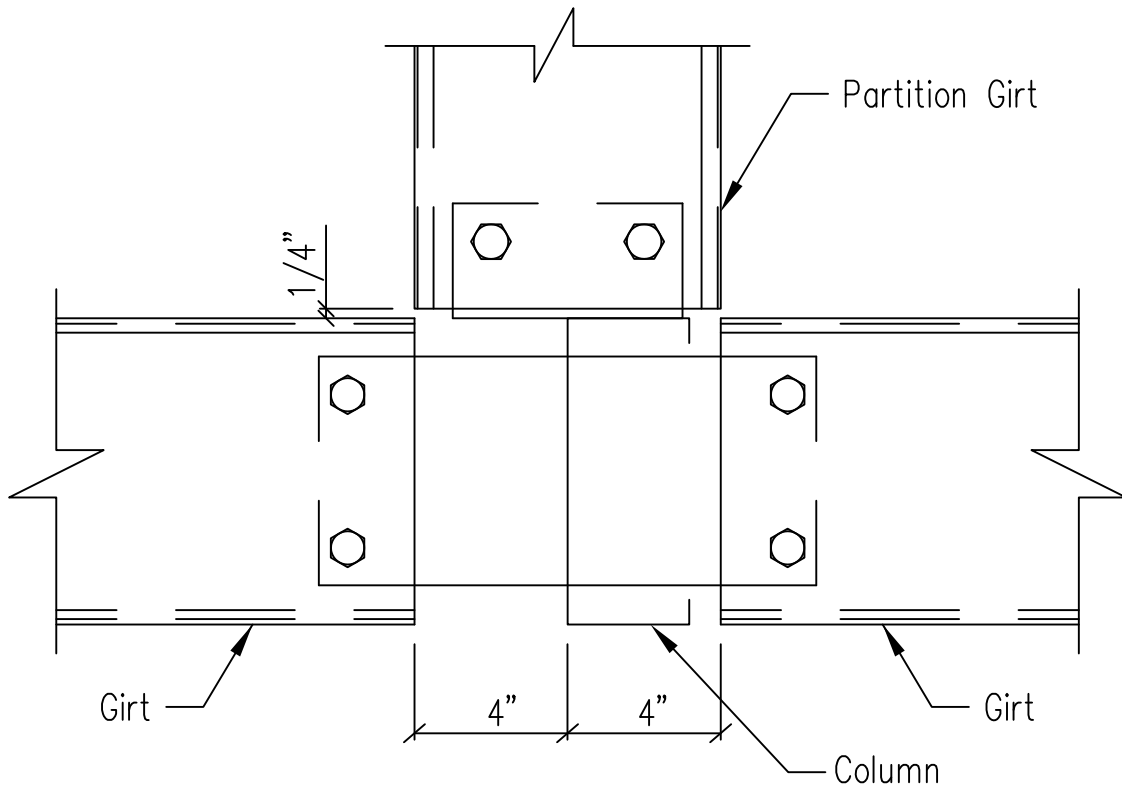


Detail with Hot Rolled Column



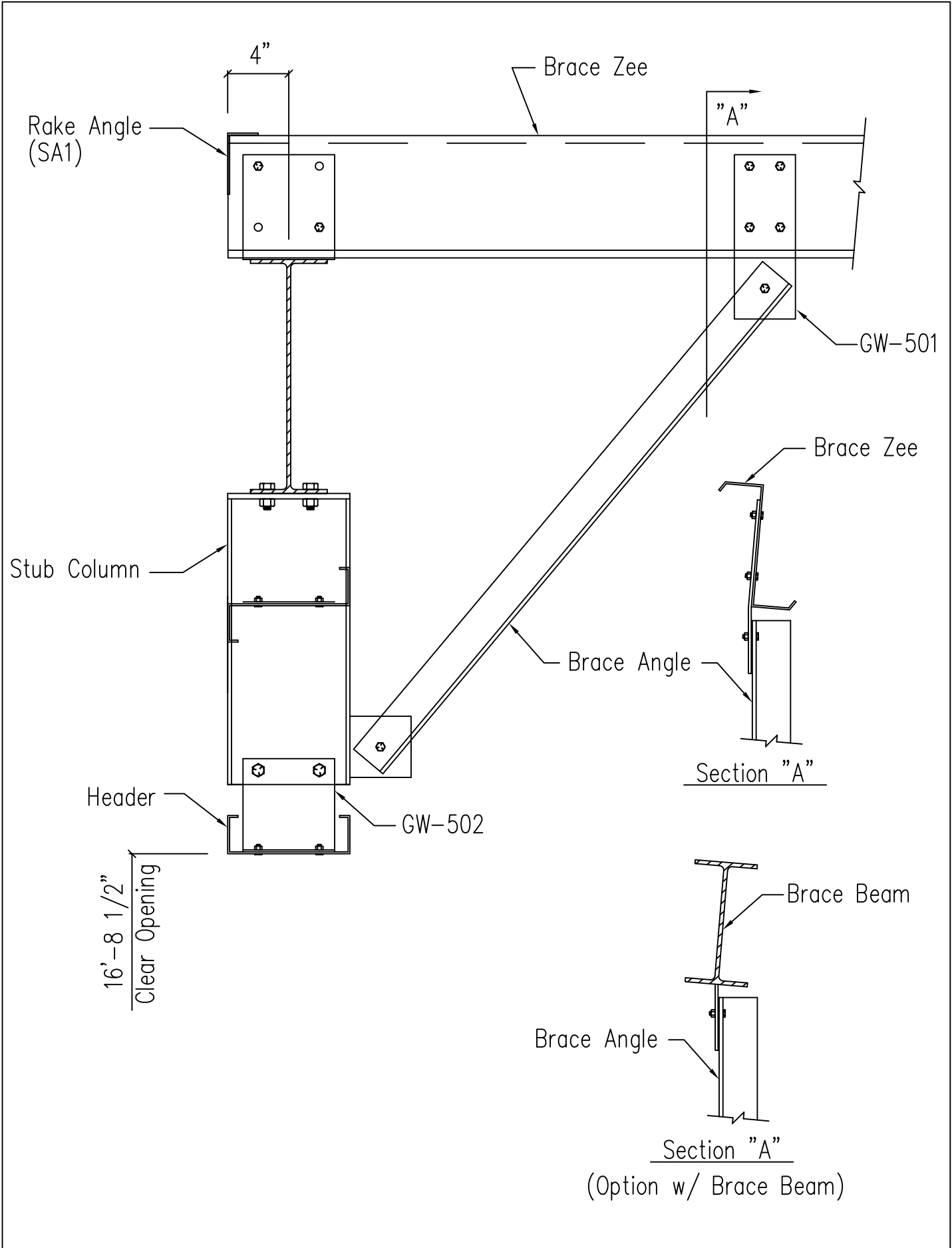
Detail with Cold Form Column

Note: All connection bolts are 1/2" x 1 1/4" machine bolts unless noted.

Partition to Column Detail

DRAWING NO.

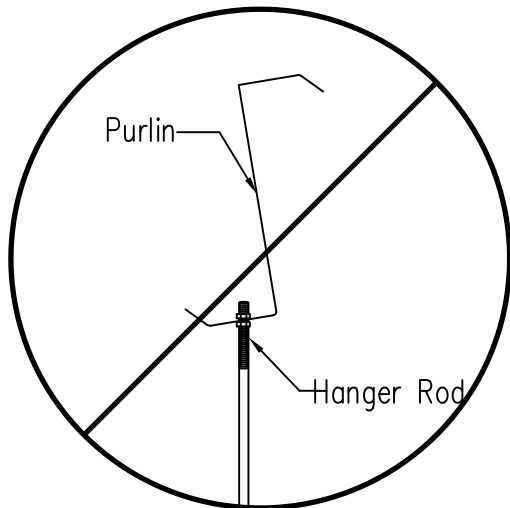
SD120



DRAWING NO.

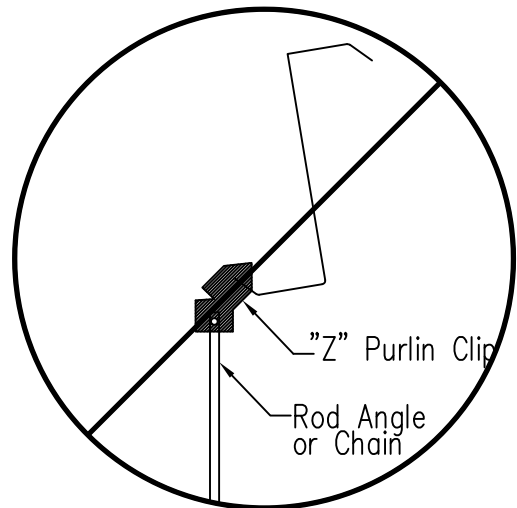
Stub Column Section at Main Frame Endwall

SD156



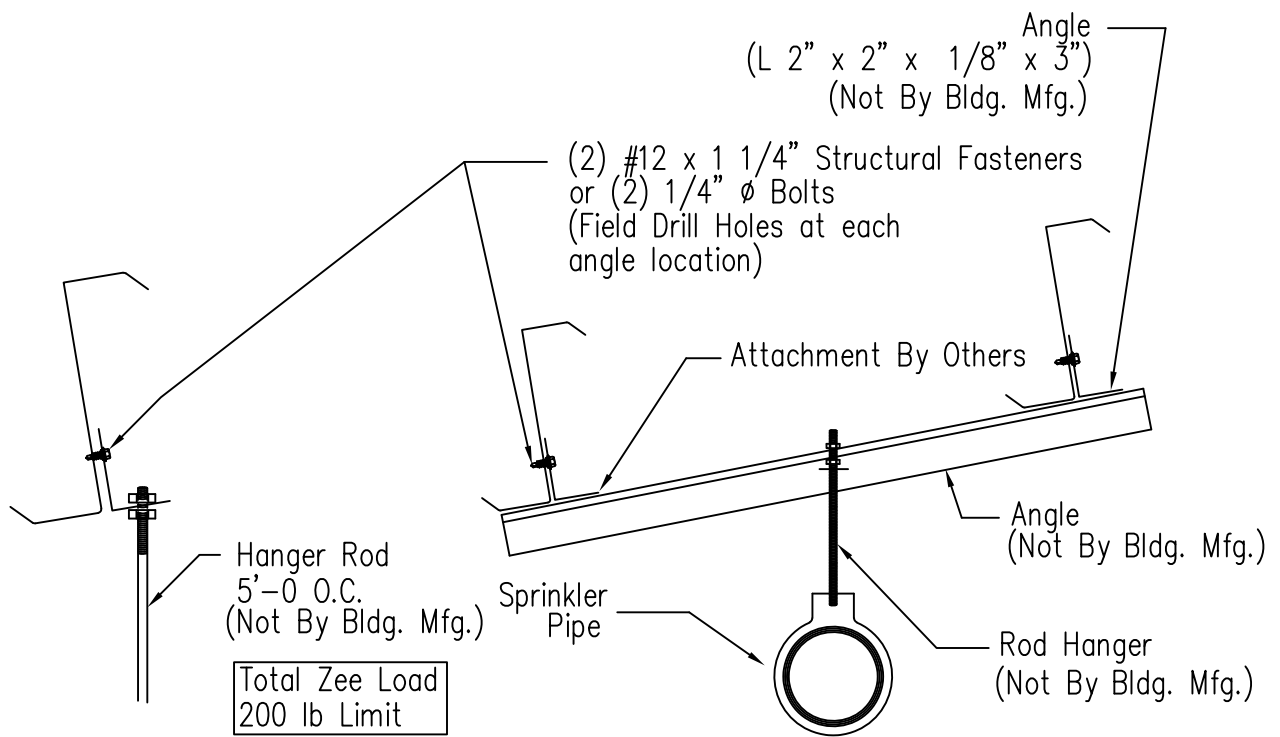
WRONG

Do Not Install Hanger Rod in the Flange of Purlin



WRONG

Do Not Install Purlin Clips of any kind on the Flange of Purlin as shown



Detail at Purlin

Detail Between Purlins

Sprinkler Pipe Hanger Detail

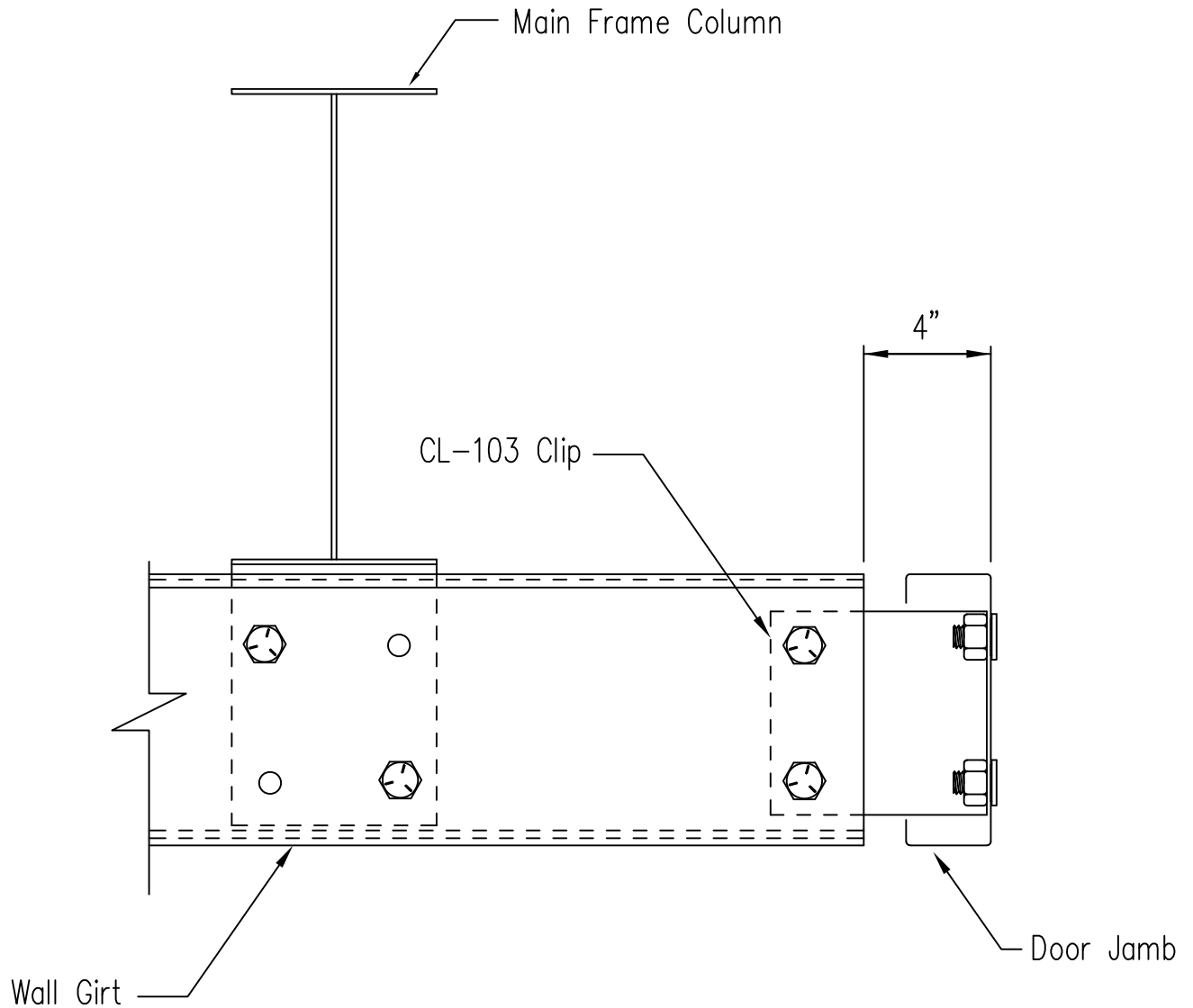
DRAWING NO.

SD160

NOTE:

All Bolts are 1/2" x 1 1/4"

A307 M. Bolt



ERECTOR NOTE: IF CLIP BOXES ON BUILDING ELEVATION VIEW(S) ARE BELOW THE INTENDED GIRT LINE, THE CLIP(S) IN REFERENCE ARE TOED DOWN. IF ABOVE THE GIRT LINE, THEN TOED UP.

No Lap Near Framed Opening

DRAWING NO.

SD166