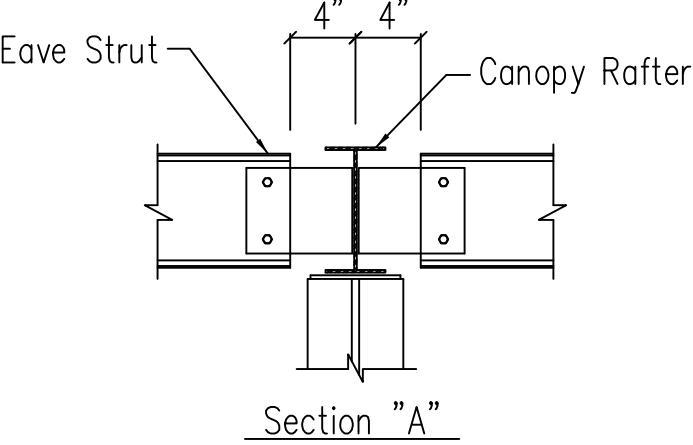


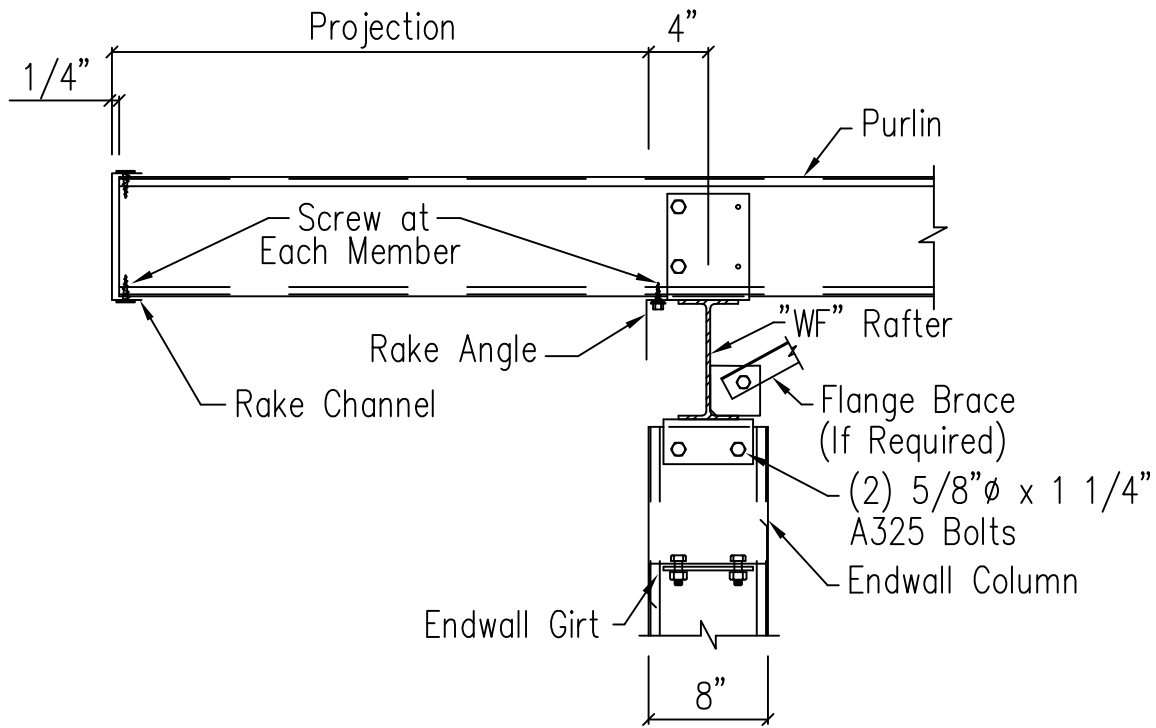
Eave Canopy at Main Frame



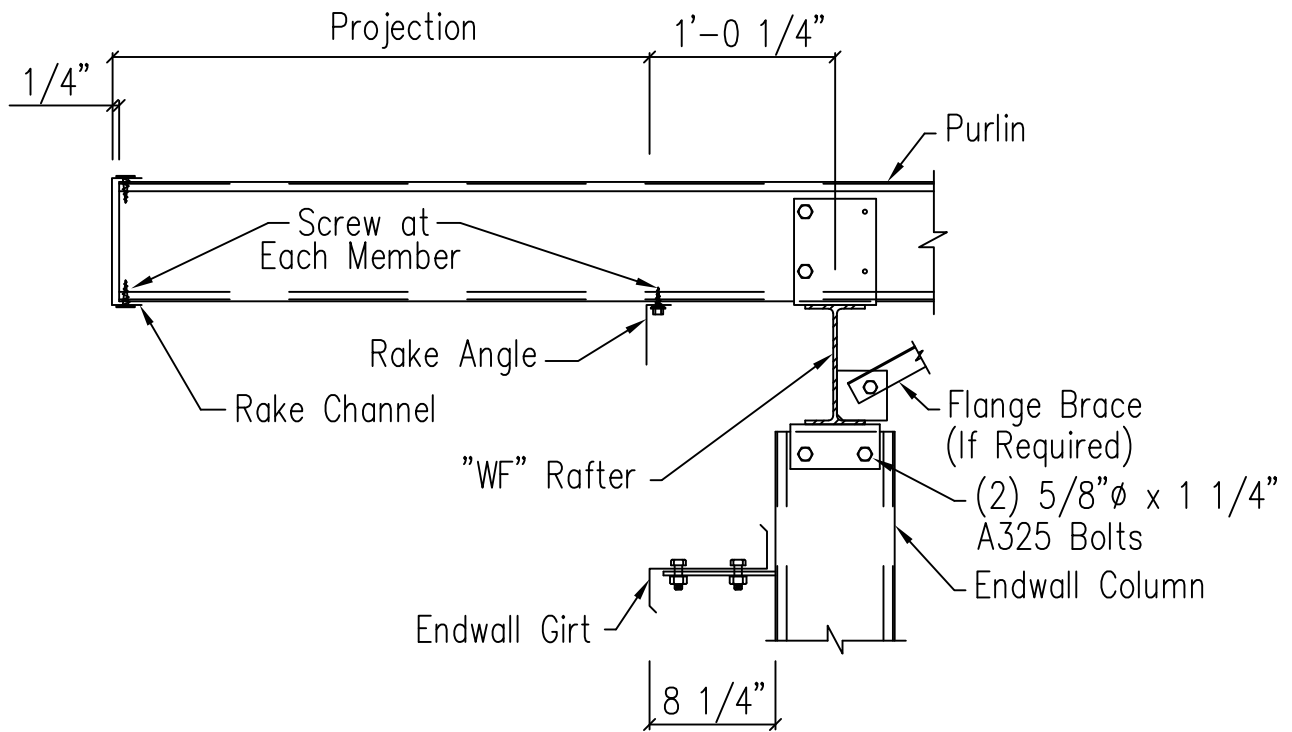
Eave Canopy Framing Detail

DRAWING NO.

SD125



Flush Girt Endwall w/Purlin Extension



By-Pass Girt Endwall w/Purlin Extension

Note: All connection bolts are 1/2" x 1 1/4" machine bolts unless noted.

Purlin Extension Framing Details
Hot Roll Rafter

DRAWING NO.

SD131