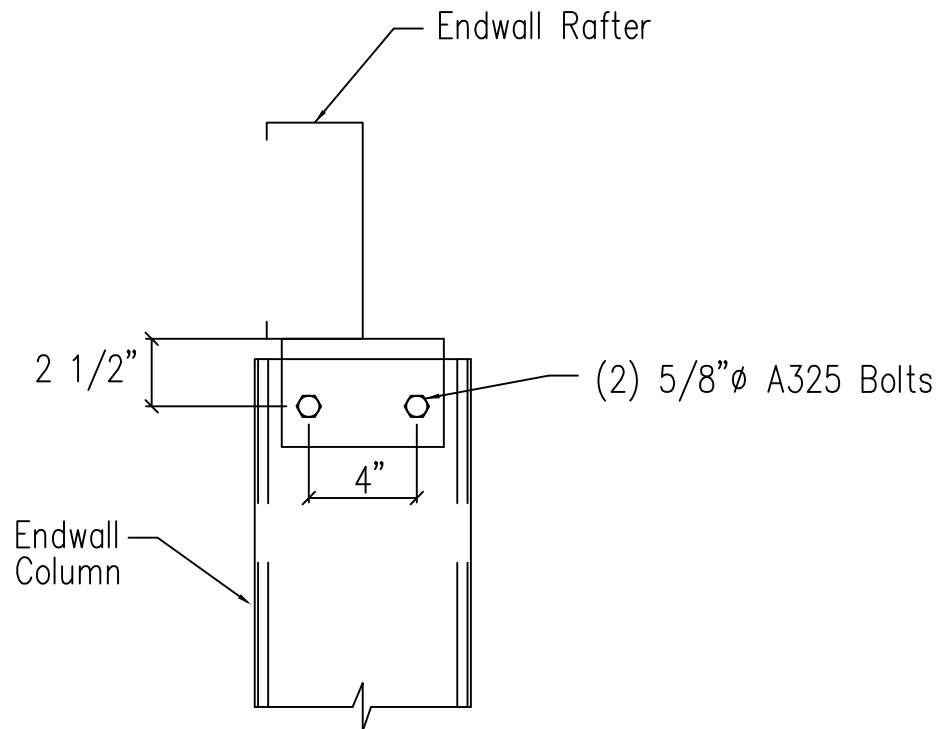
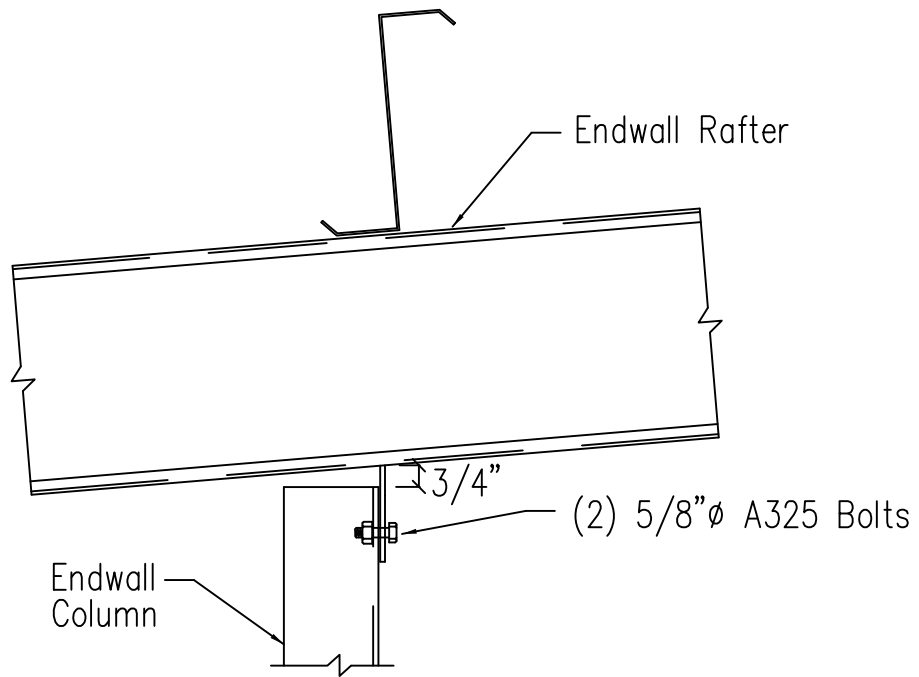


Section Thru Rake at Cold-Form Rafter

DRAWING NO.

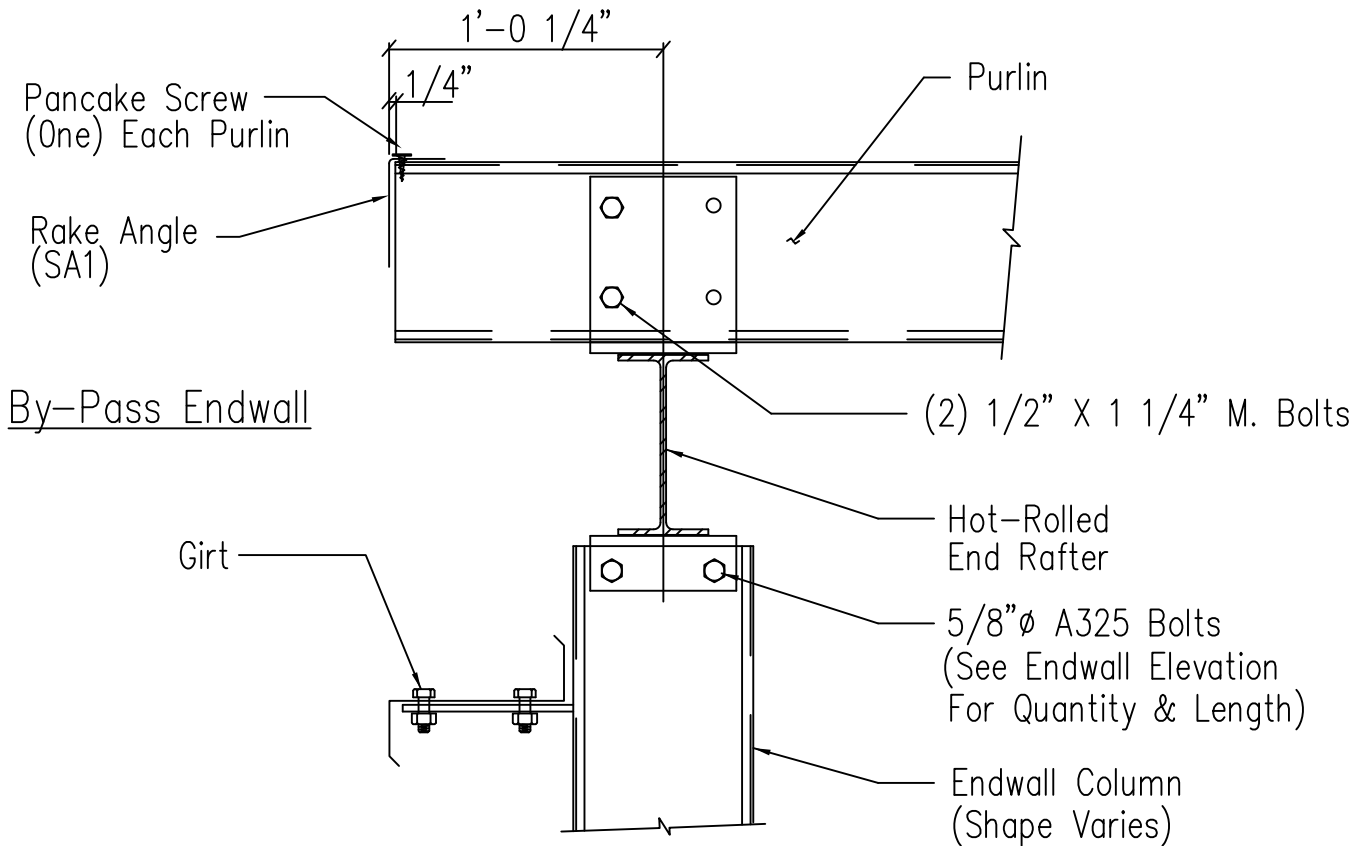
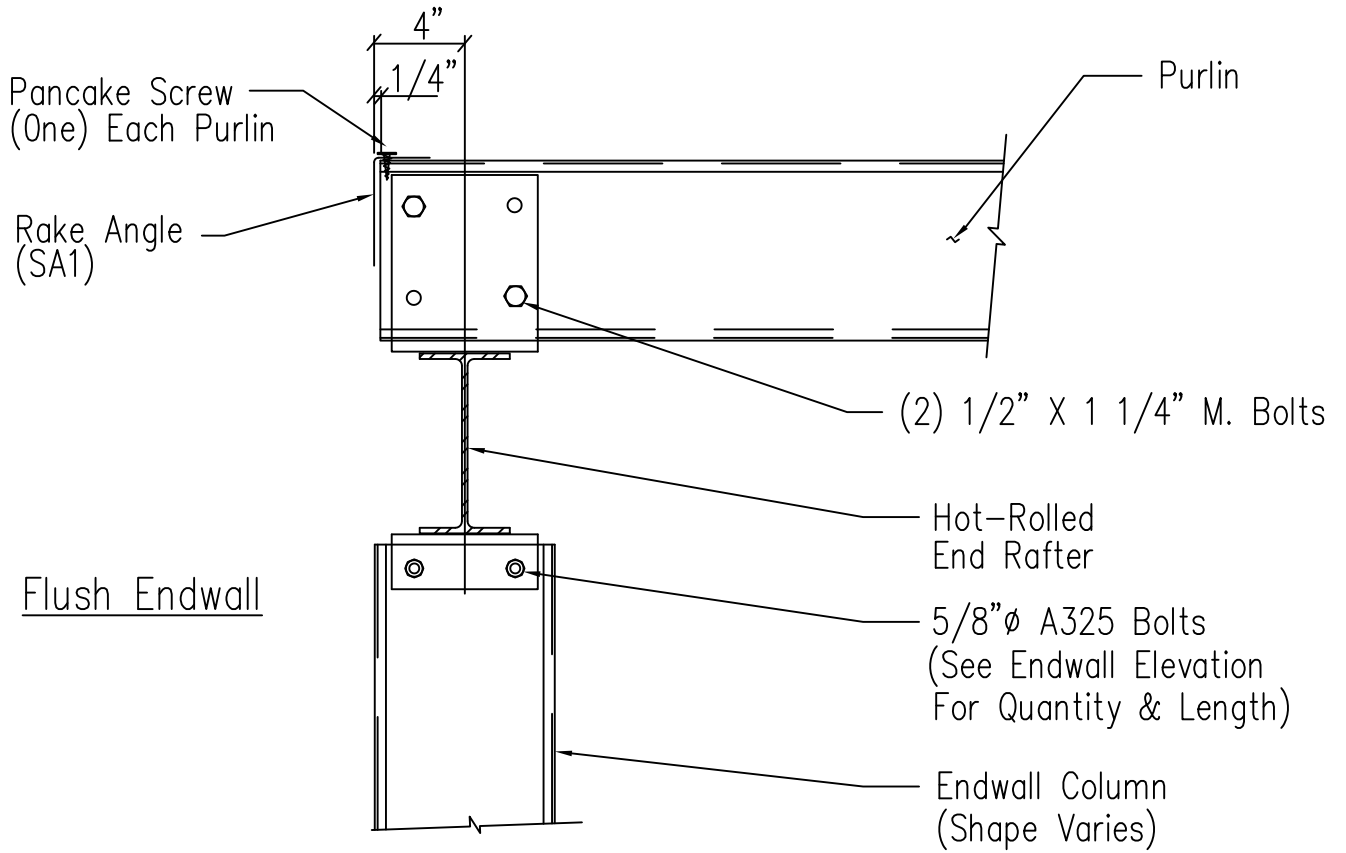
SD1



Cold Form Column to Cold Form Rafter

DRAWING NO.

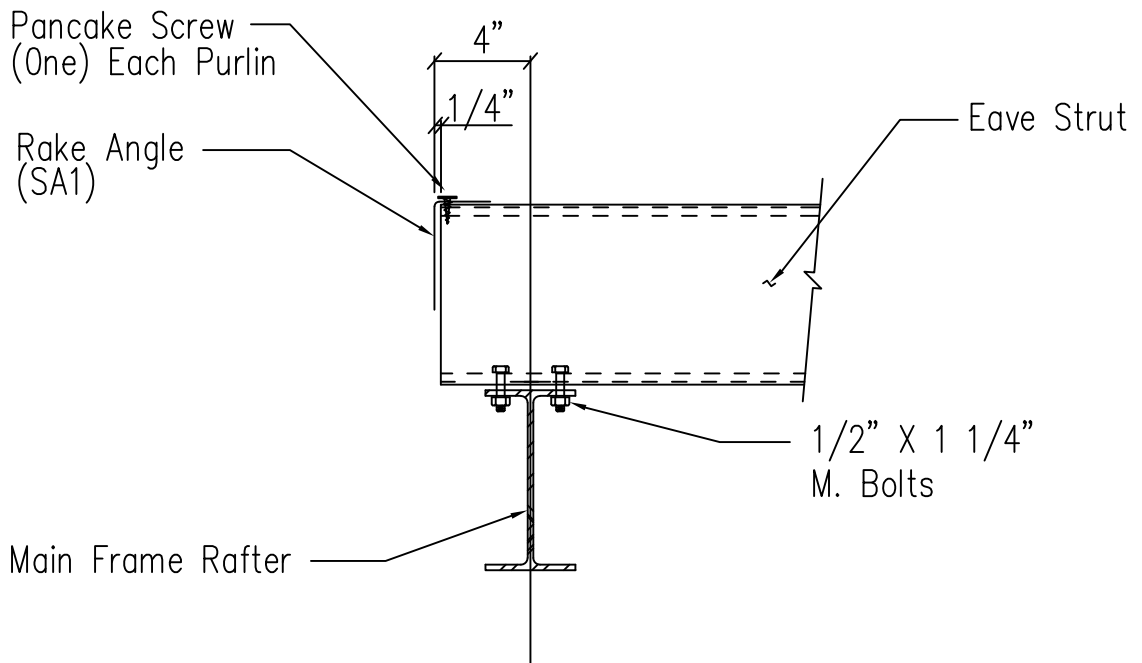
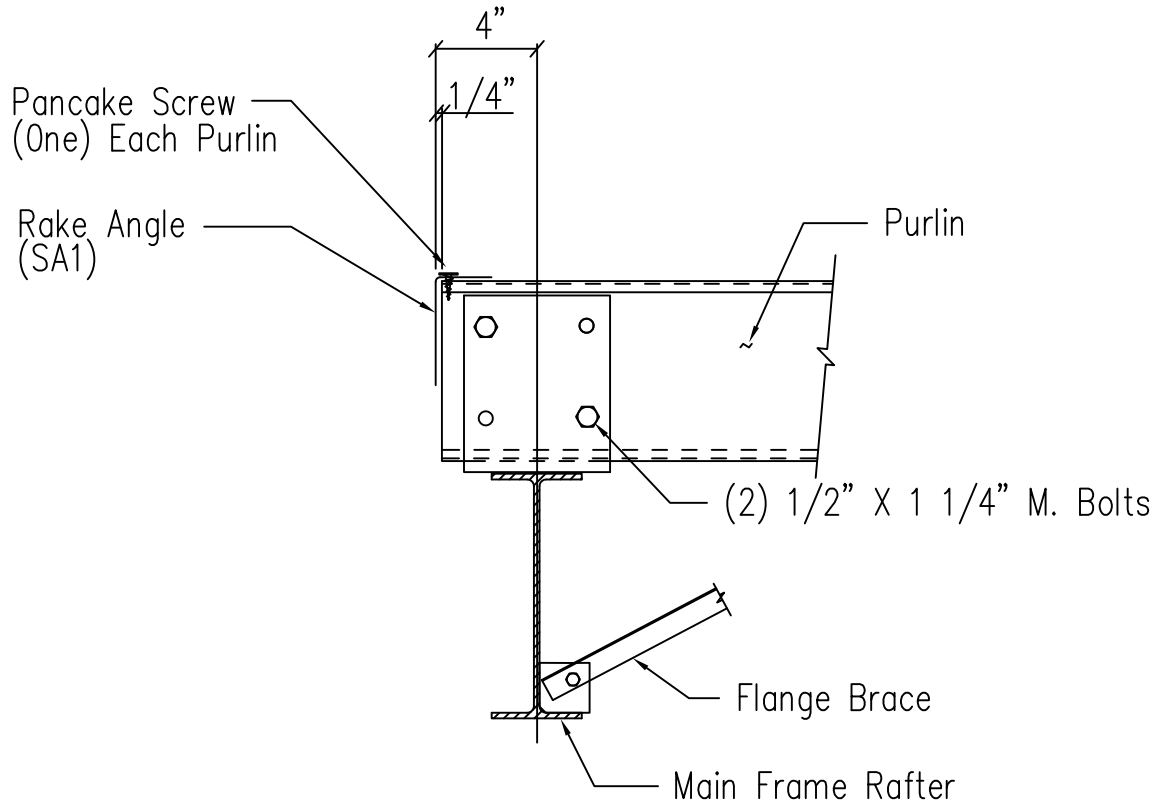
SD4



Section Thru Rake w/Hot Rolled Rafter

DRAWING NO.

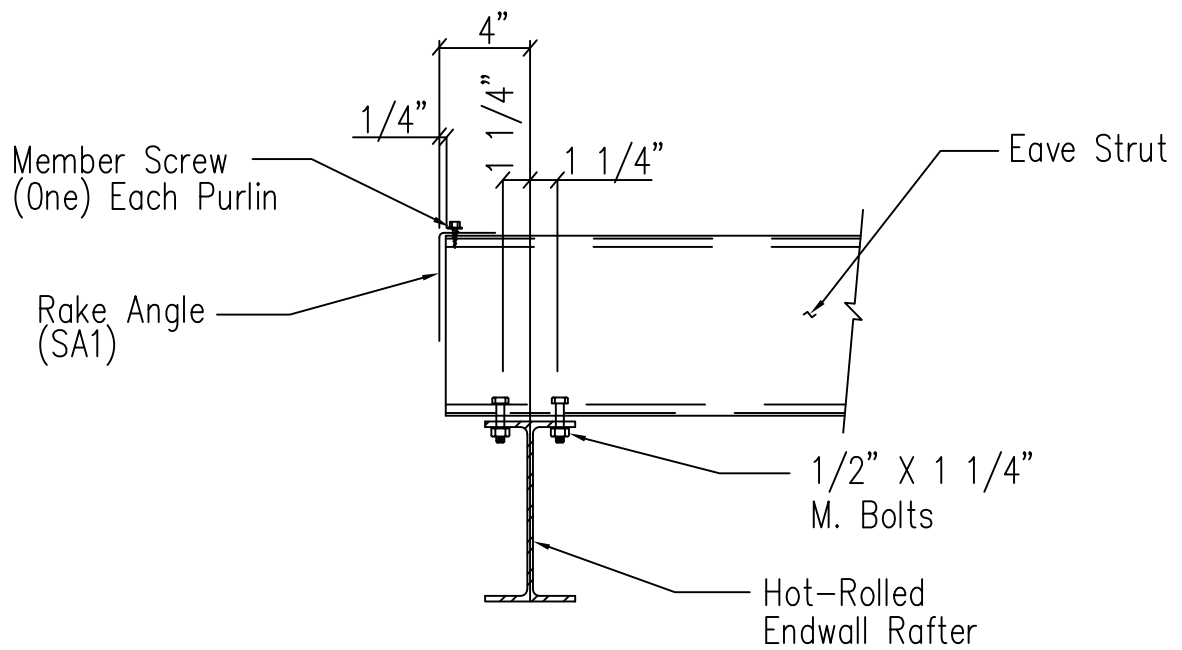
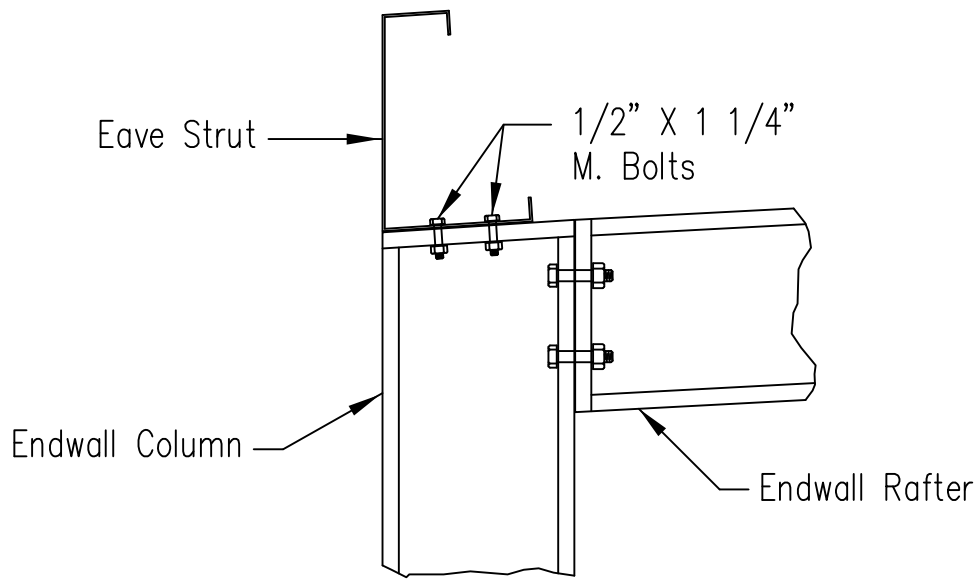
SD5



Main Frame Rafter Connection
 PURLIN & EAVE STRUT CONNECTION

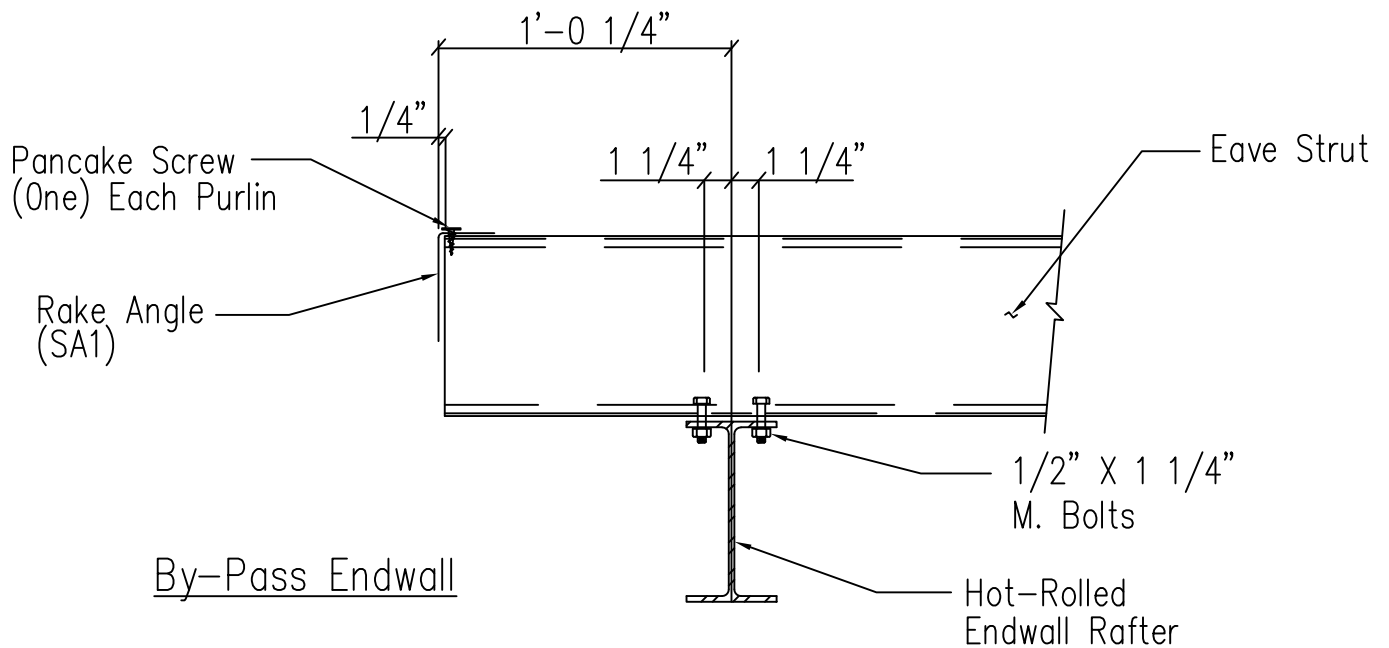
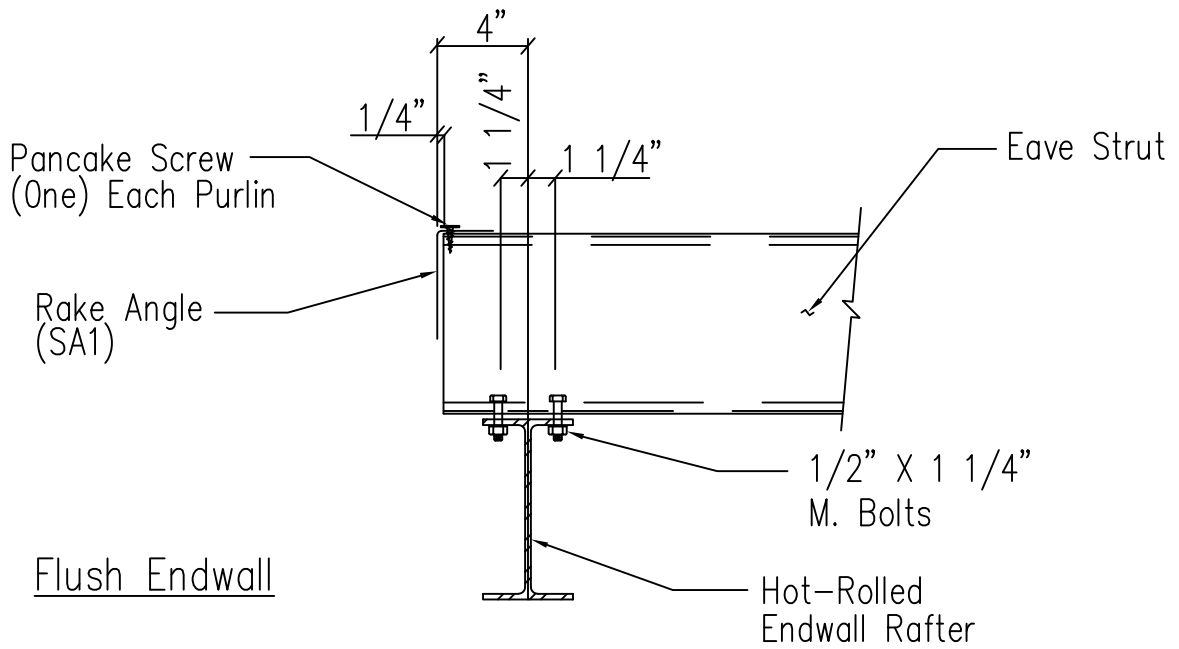
DRAWING NO.

SD9



Corner Column Connection WF Rafter/Column
Flush Sidewall

DRAWING NO.
SD12



Eave Strut to Hot Rolled Rafter Connection

DRAWING NO.

SD14