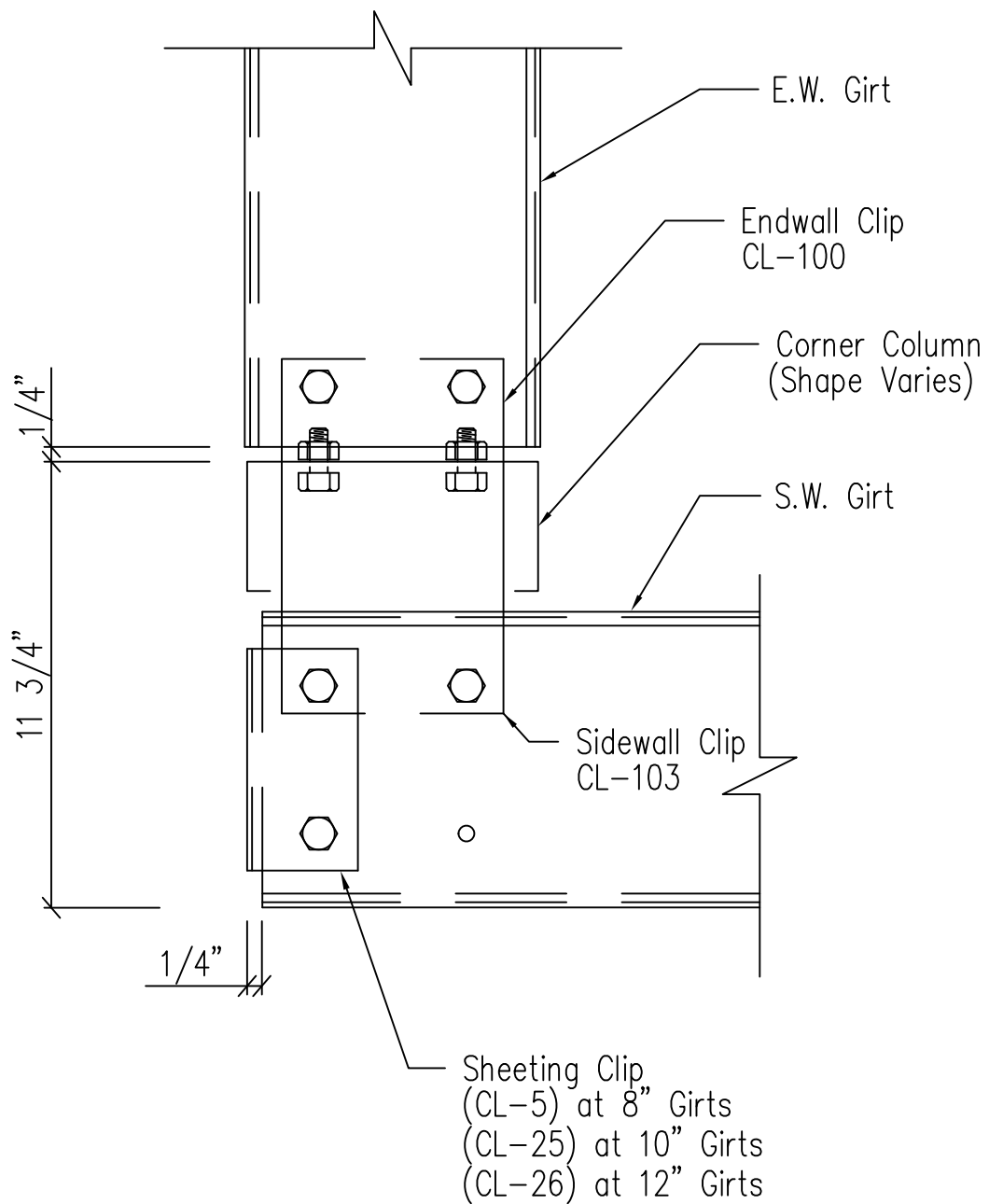


Note: All connection bolts are 1/2" x 1 1/4" machine bolts unless noted.

Section at "C" Corner Column
Flush Endwall

DRAWING NO.

SD21



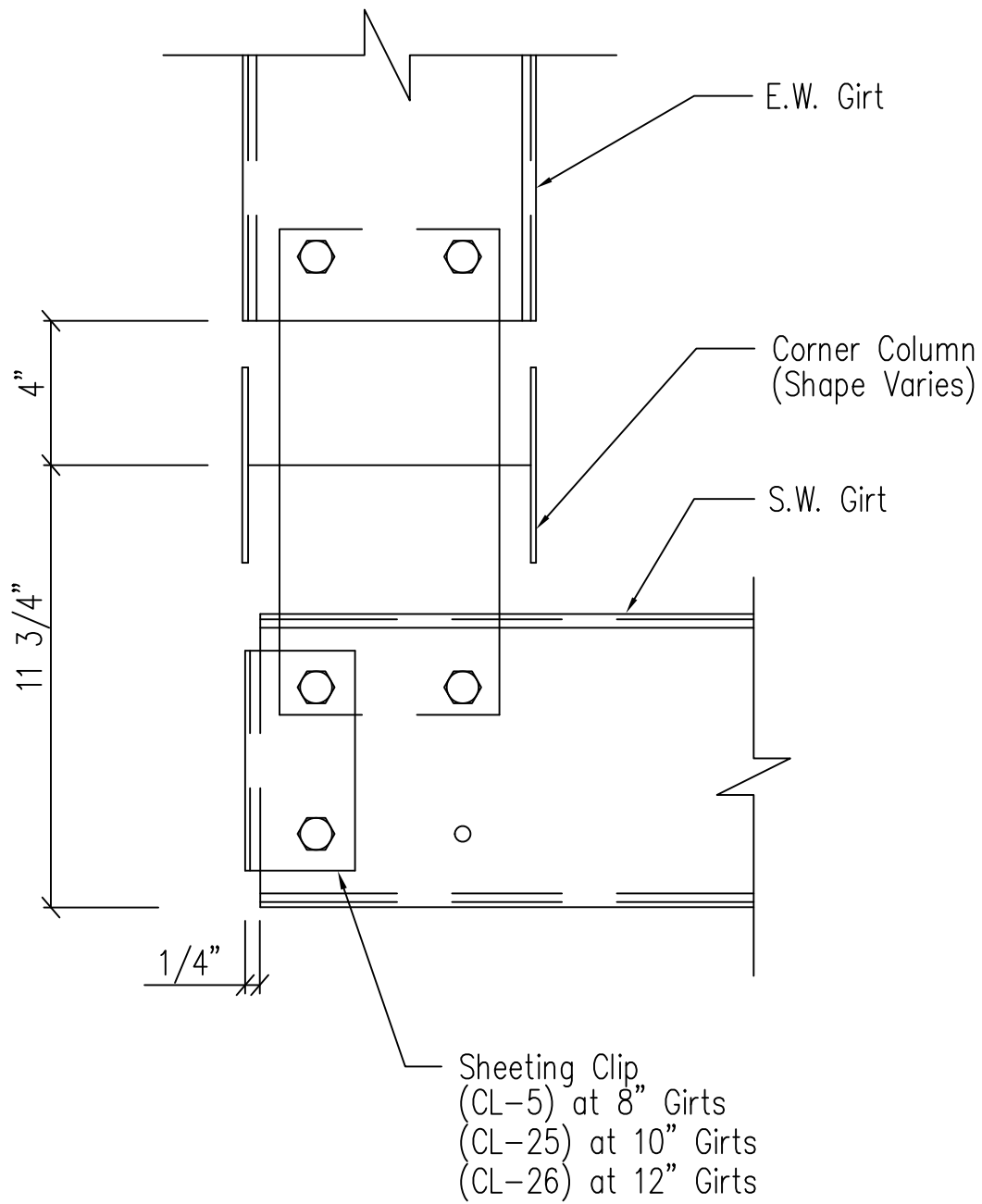
ERECTOR NOTE: IF CLIP BOXES ON BUILDING ELEVATION VIEW(S) ARE BELOW THE INTENDED GIRT LINE, THE CLIP(S) IN REFERENCE ARE TOED DOWN. IF ABOVE THE GIRT LINE, THEN TOED UP.

Note: All connection bolts are 1/2" x 1 1/4" machine bolts unless noted.

Section at "C" Corner Column
Flush Endwall

DRAWING NO.

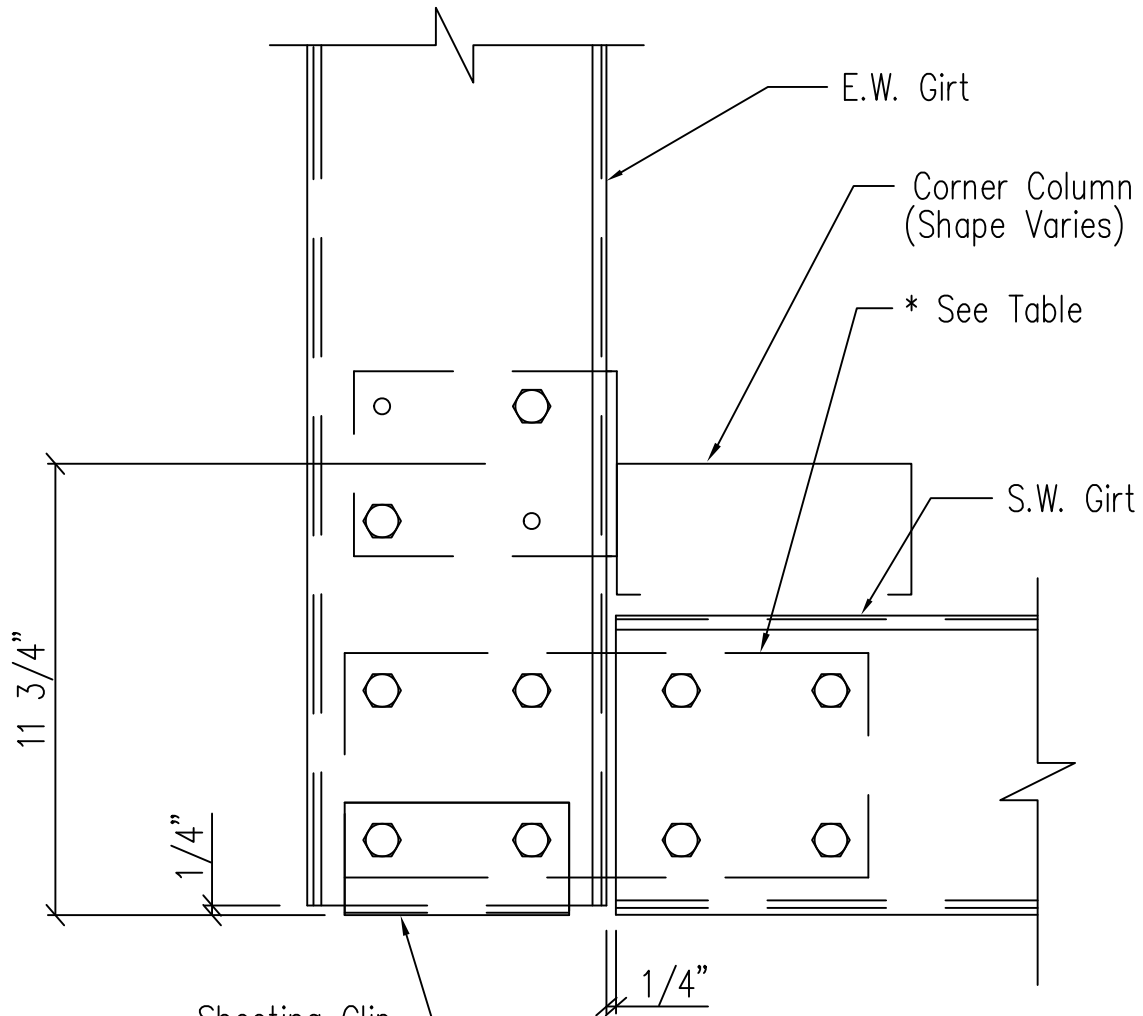
SD24



Note: All connection bolts are 1/2" x 1 1/4" machine bolts unless noted.

Section at Hot Rolled Corner Column
Flush Endwall

DRAWING NO.
SD25



Sheeting Clip
 (CL-5) at 8" Girts
 (CL-25) at 10" Girts
 (CL-26) at 12" Girts

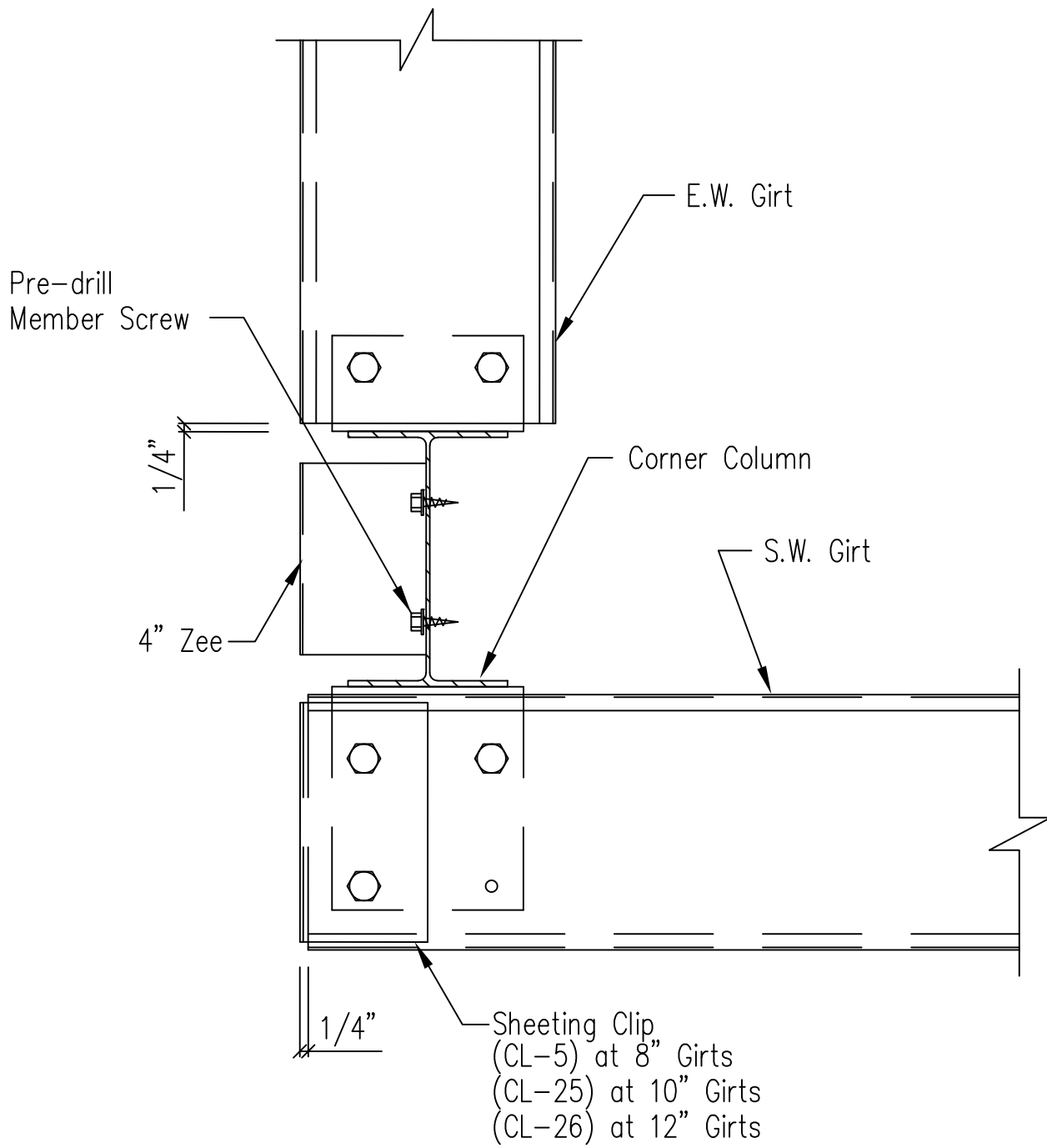
CLIP TABLE		
EW GIRT	SW GIRT	CLIP
8"	8"	CL-64
8"	10"	CL-65
10"	8"	CL-66
10"	10"	CL-67

Note: All connection bolts are 1/2" x 1 1/4" machine bolts unless noted.

Section at "C" Corner Column
 By-Pass Endwall

DRAWING NO.

SD26



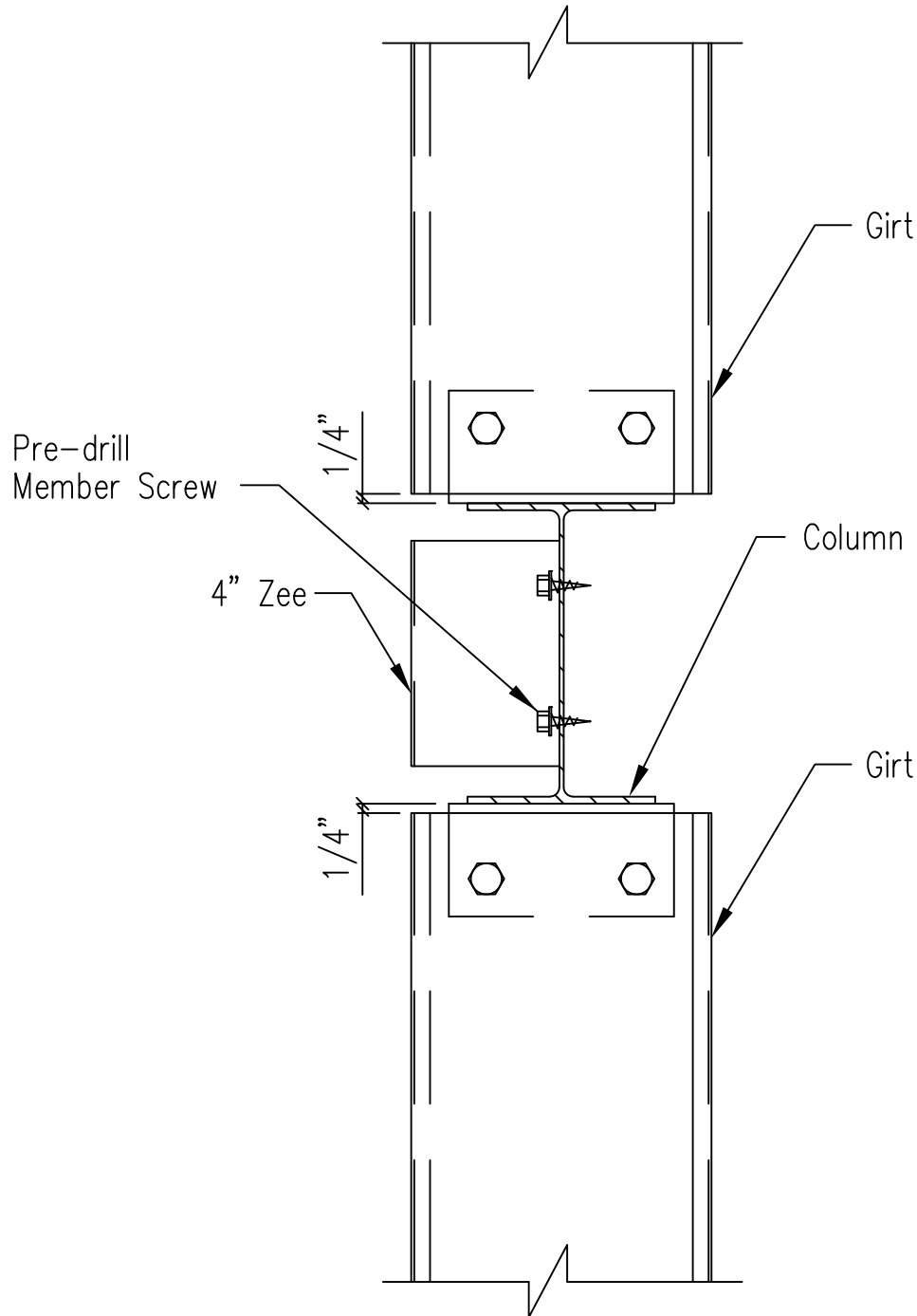
Note: All connection bolts are 1/2" x 1 1/4" machine bolts unless noted.

Section at Hot Rolled Corner Column

Flush Endwall - By-Pass Sidewall

DRAWING NO.

SD30



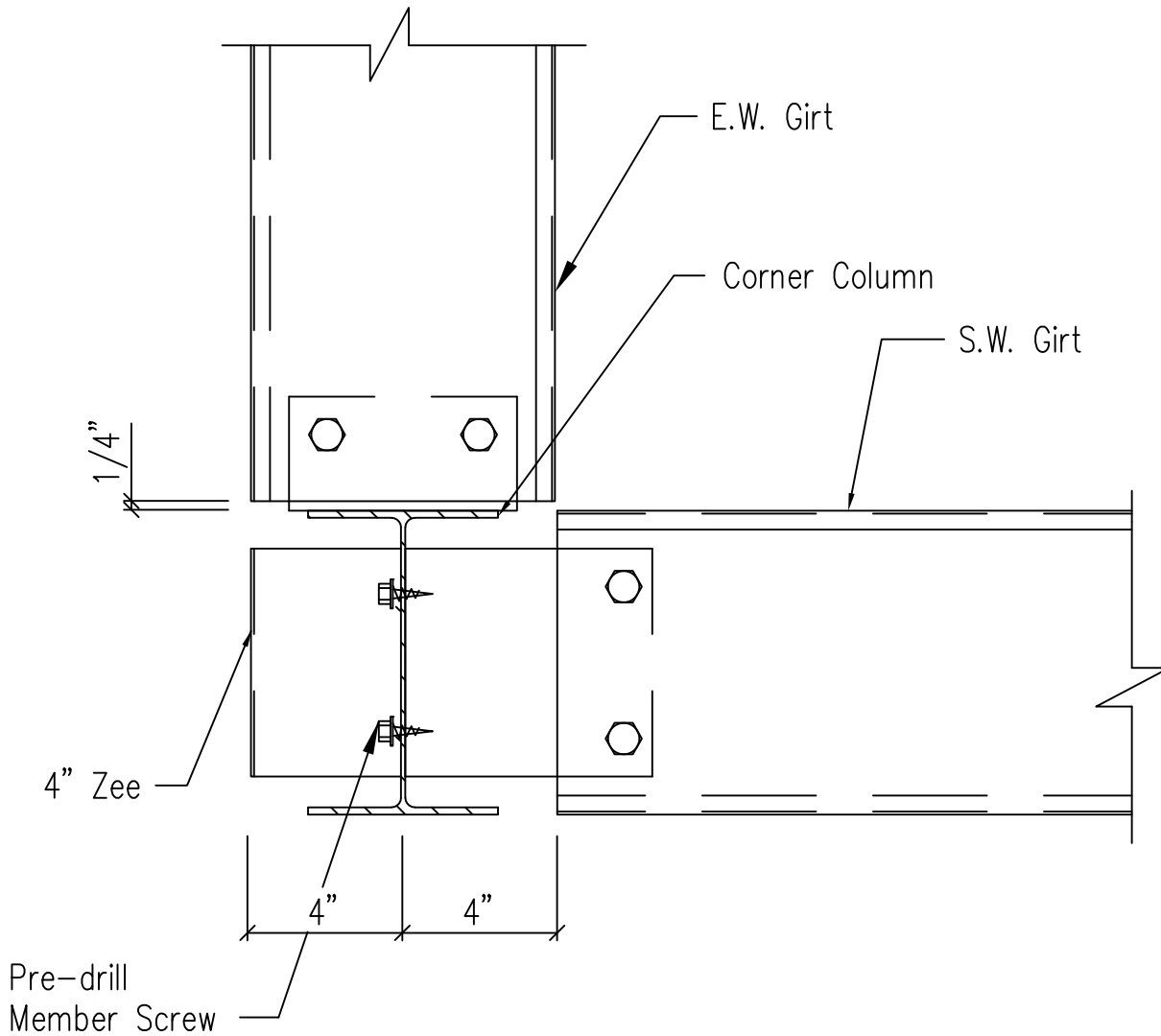
Note: All connection bolts are 1/2" x 1 1/4" machine bolts unless noted.

Section at Hot Rolled Corner Column

Flush Endwall - Open By-Pass Sidewall

DRAWING NO.

SD32



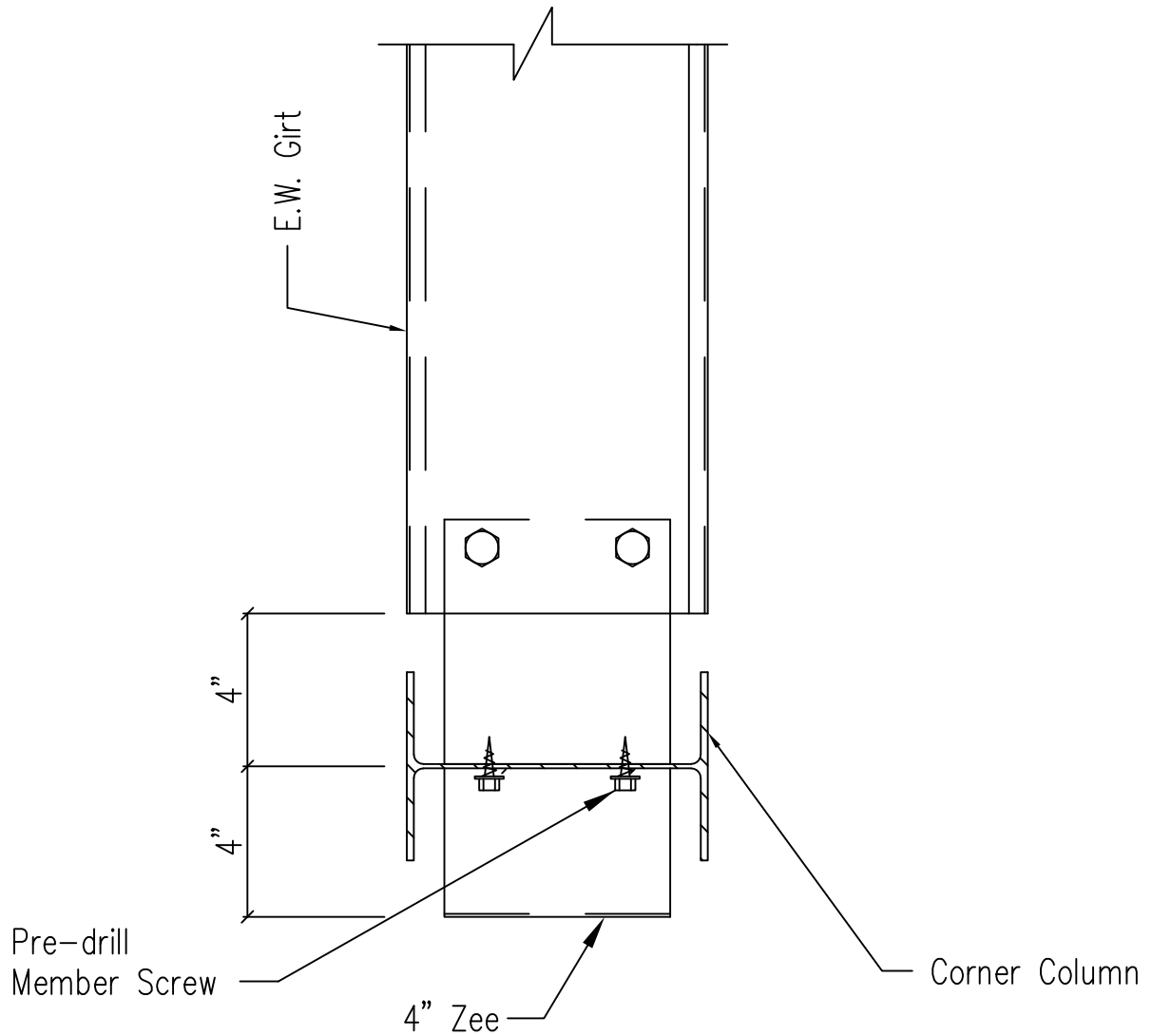
Note: All connection bolts are 1/2" x 1 1/4" machine bolts unless noted.

Section at Hot Rolled Corner Column

Flush Endwall - Flush Sidewall

DRAWING NO.

SD33



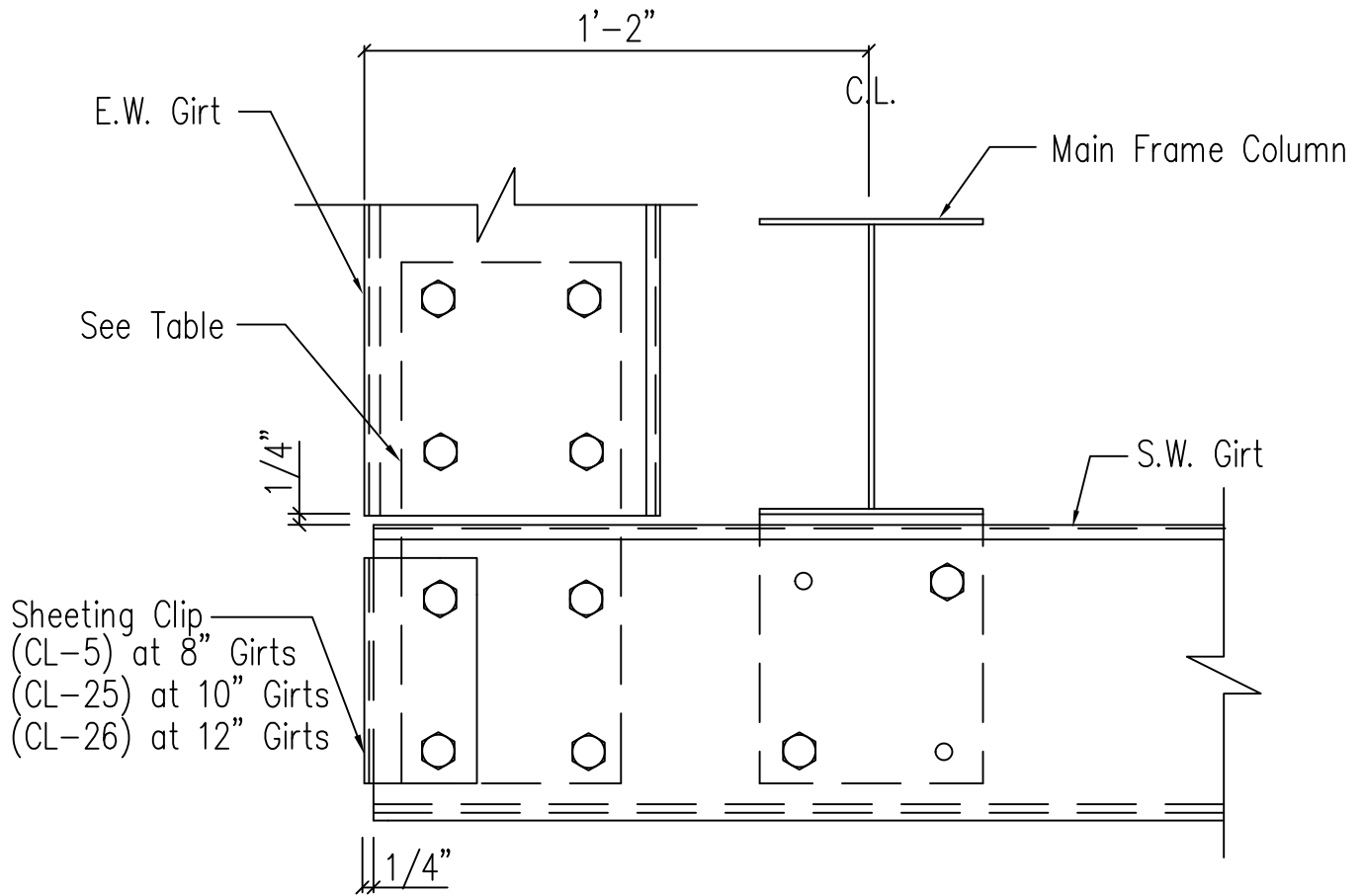
Note: All connection bolts are 1/2" x 1 1/4" machine bolts unless noted.

Section at Hot Rolled Corner Column

Flush Endwall - Flush Sidewall - Open Sidewall

DRAWING NO.

SD34



Sheeting Clip
 (CL-5) at 8" Girts
 (CL-25) at 10" Girts
 (CL-26) at 12" Girts

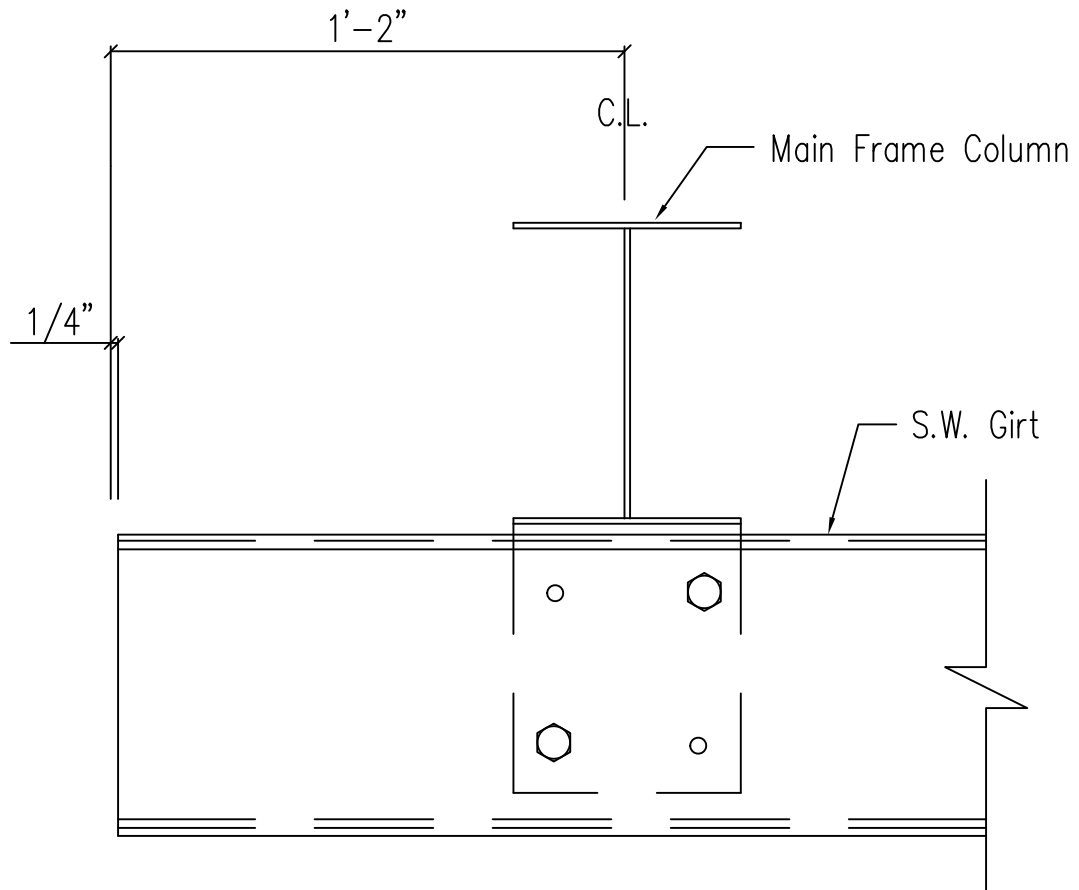
CLIP TABLE		
SW GIRT	EW. GIRT	CLIP
8"	8"	CL-64
8"	10"	CL-65
10"	8"	CL-66
10"	10"	CL-67

Note: All connection bolts are 1/2" x 1 1/4" machine bolts unless noted.

Section at MF Corner Column
 Flush Endwall

DRAWING NO.

SD36



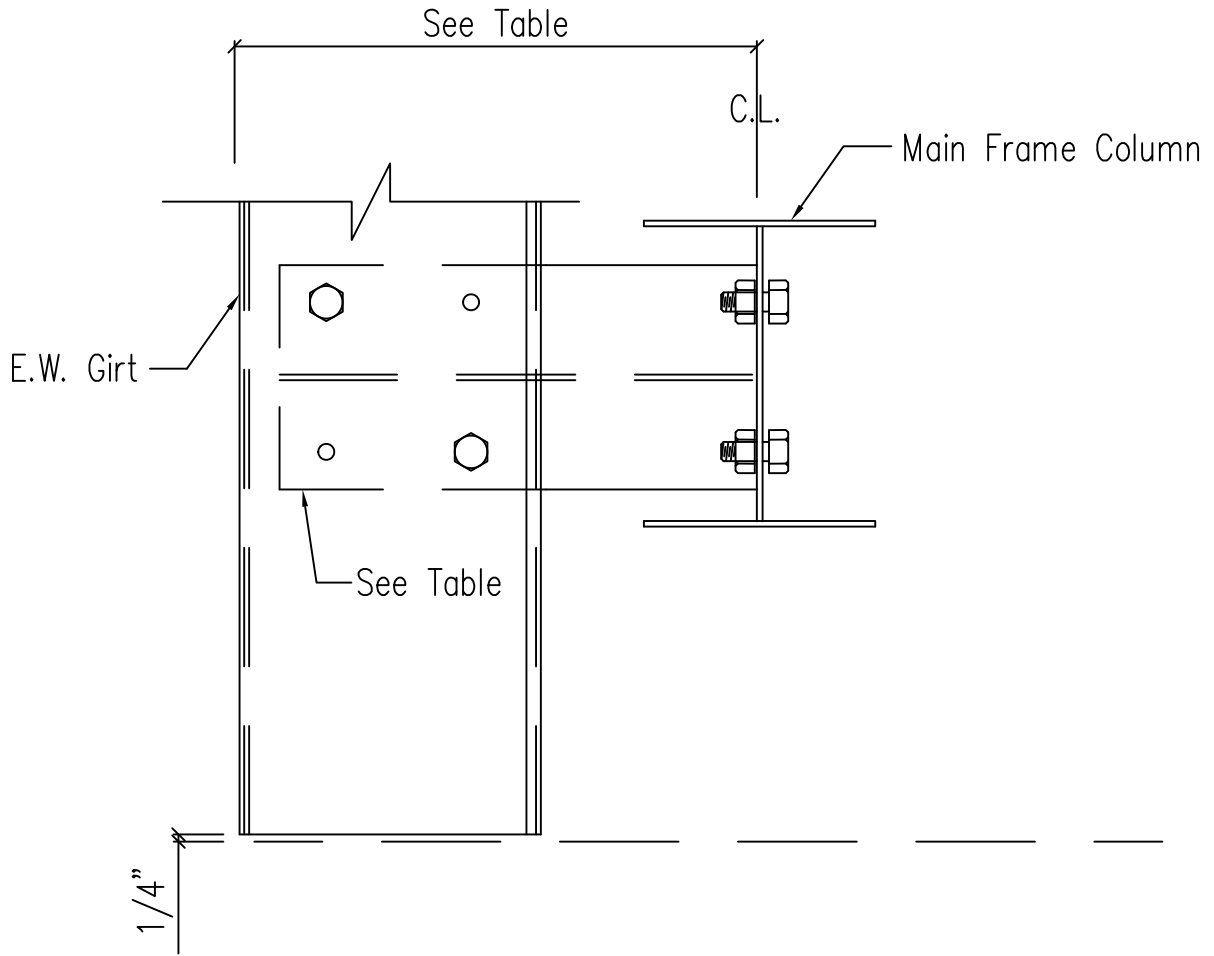
Note: All connection bolts are 1/2" x 1 1/4" machine bolts unless noted.

Section at Rigid Frame Corner Column

Flush Endwall - Open By-Pass Sidewall

DRAWING NO.

SD37



GIRT DEPTH	CLIP	DIMENSION
8"	CL-61	1'-2"
10"	CL-62	1'-2"
1'-0"	CL-61	1'-4"

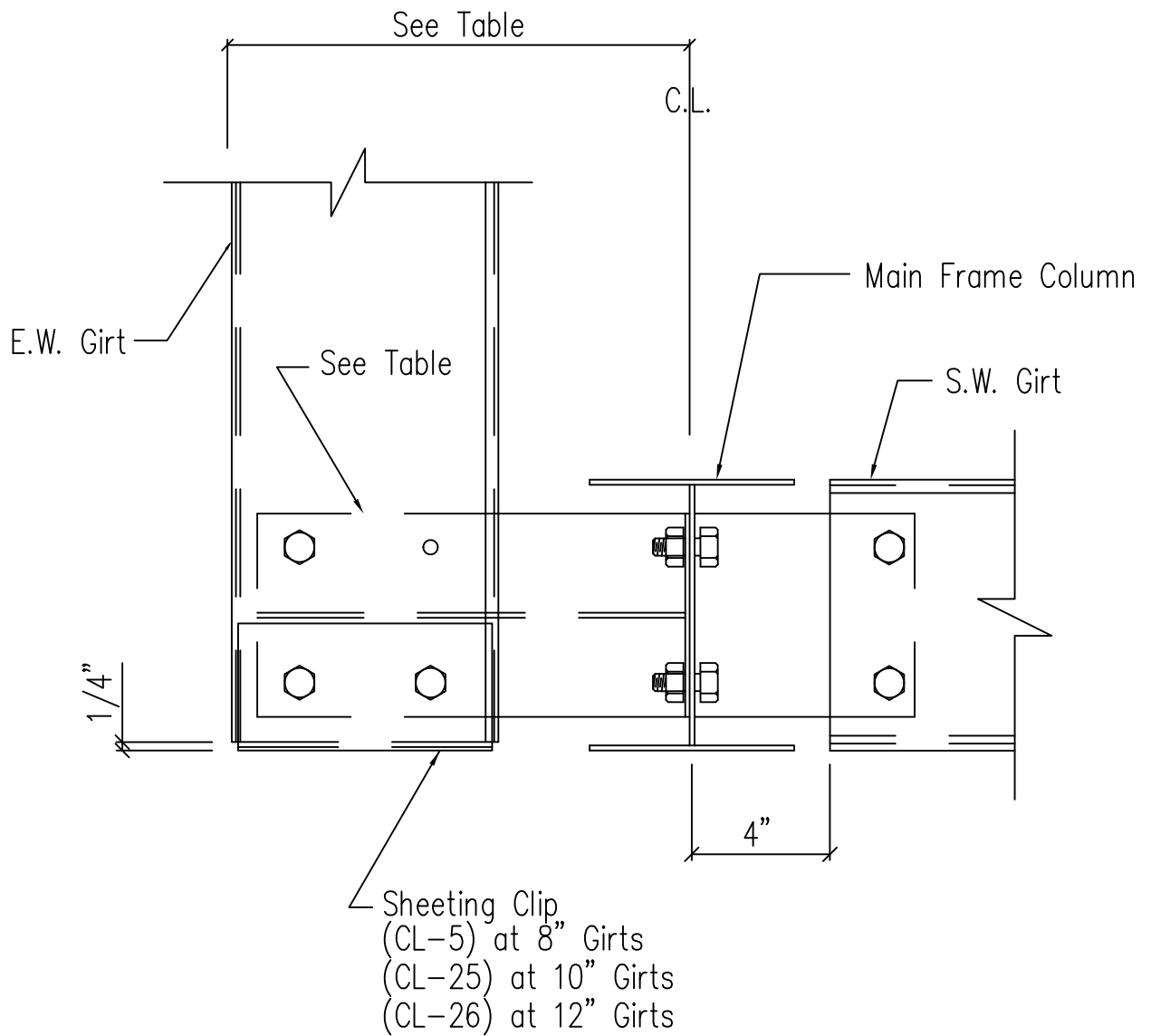
Note: All connection bolts are 1/2" x 1 1/4" machine bolts unless noted.

Section at MF Corner Column

Flush Endwall - Open By-Pass Sidewall

DRAWING NO.

SD38



GIRT DEPTH	CLIP	DIMENSION
8"	CL-61	1'-2"
10"	CL-62	1'-2"
1'-0"	CL-61	1'-4"

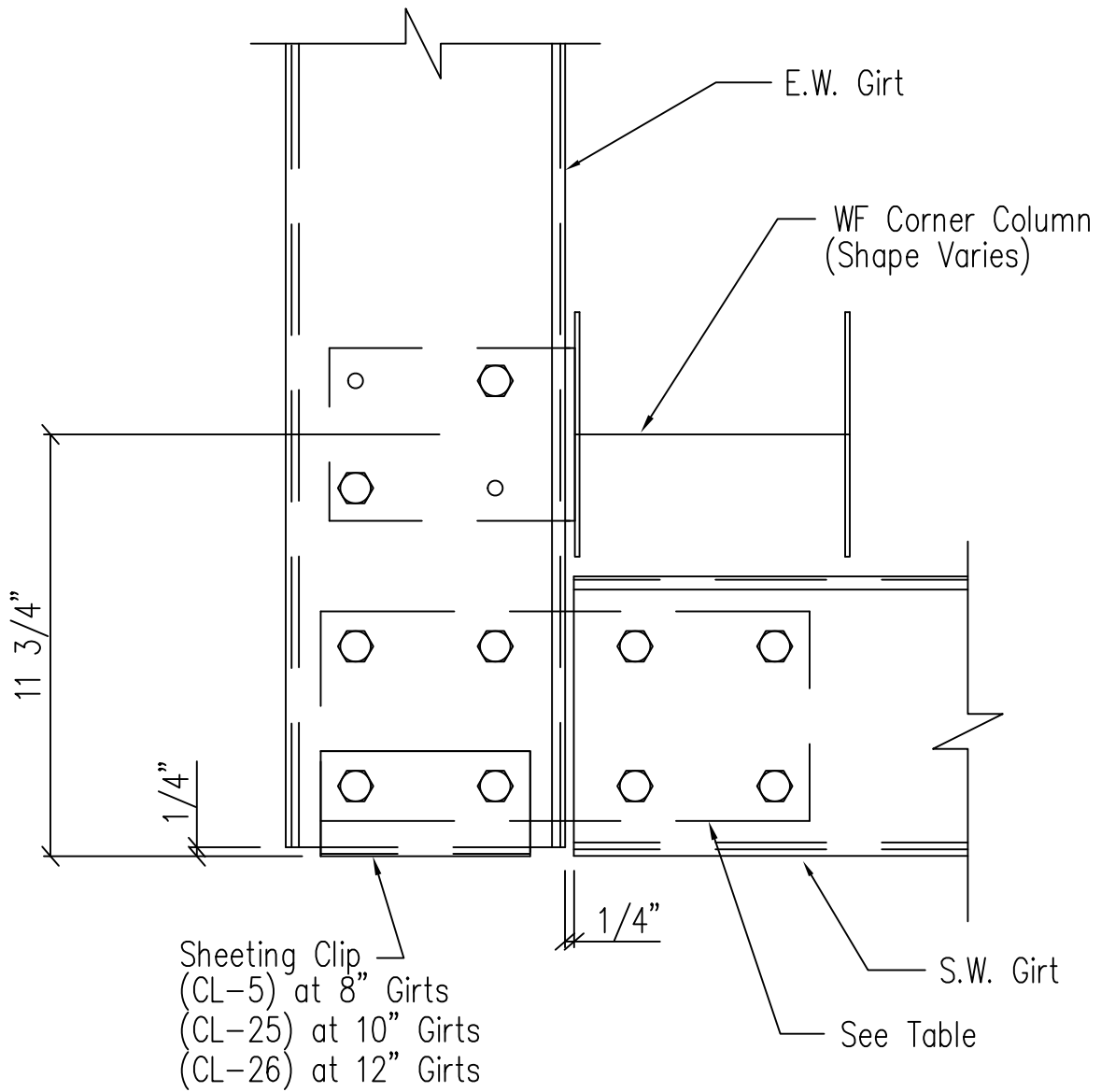
Note: All connection bolts are 1/2" x 1 1/4" machine bolts unless noted.

Section at MF Corner Column

By-Pass Endwall - Flush Sidewall

DRAWING NO.

SD39



CLIP TABLE		
EW GIRT	SW GIRT	CLIP
8"	8"	CL-64
8"	10"	CL-65
10"	8"	CL-66
10"	10"	CL-67

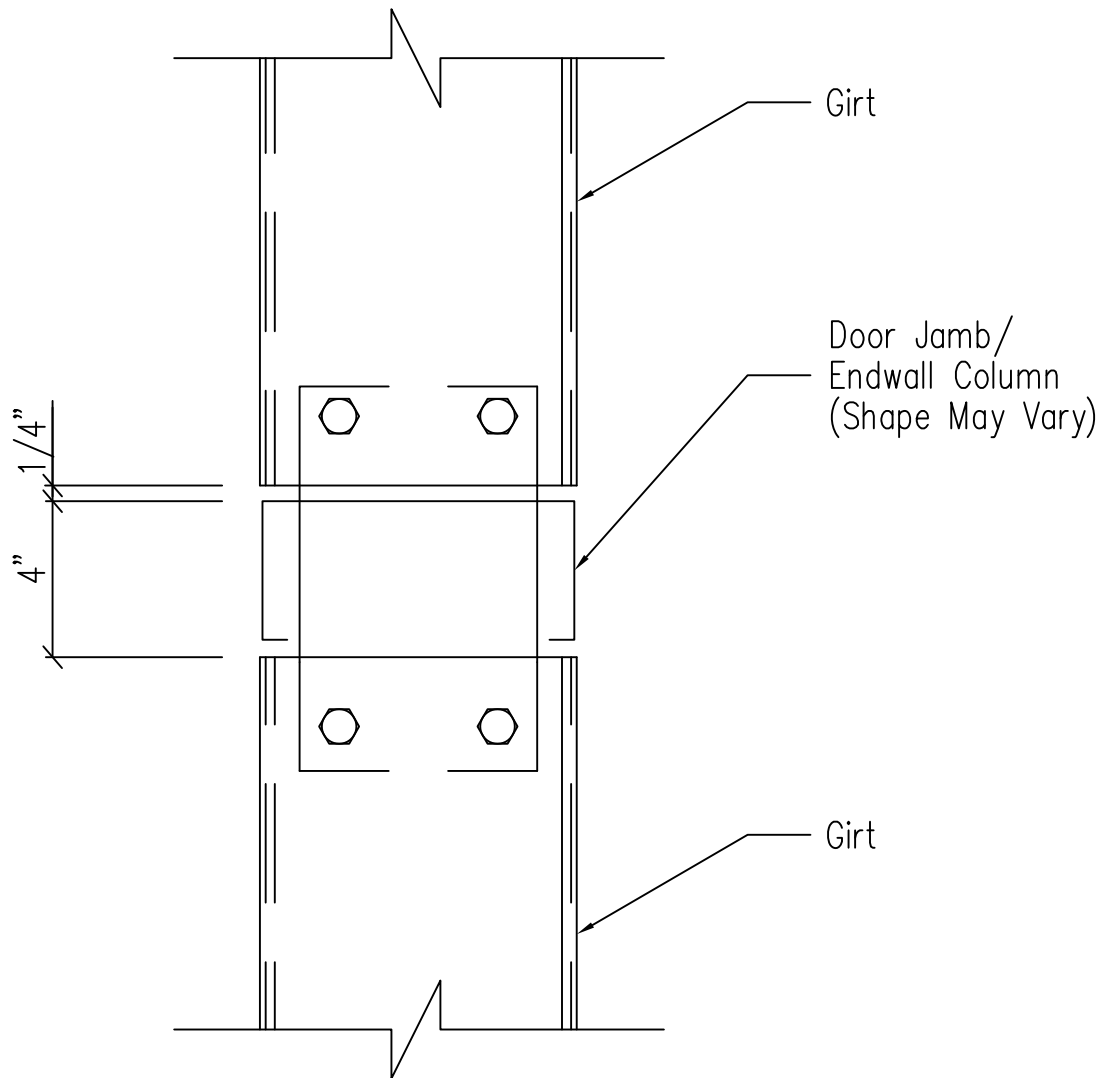
Note: All connection bolts are 1/2" x 1 1/4" machine bolts unless noted.

Section at W.F. Corner Column

By-Pass Endwall

DRAWING NO.

SD42

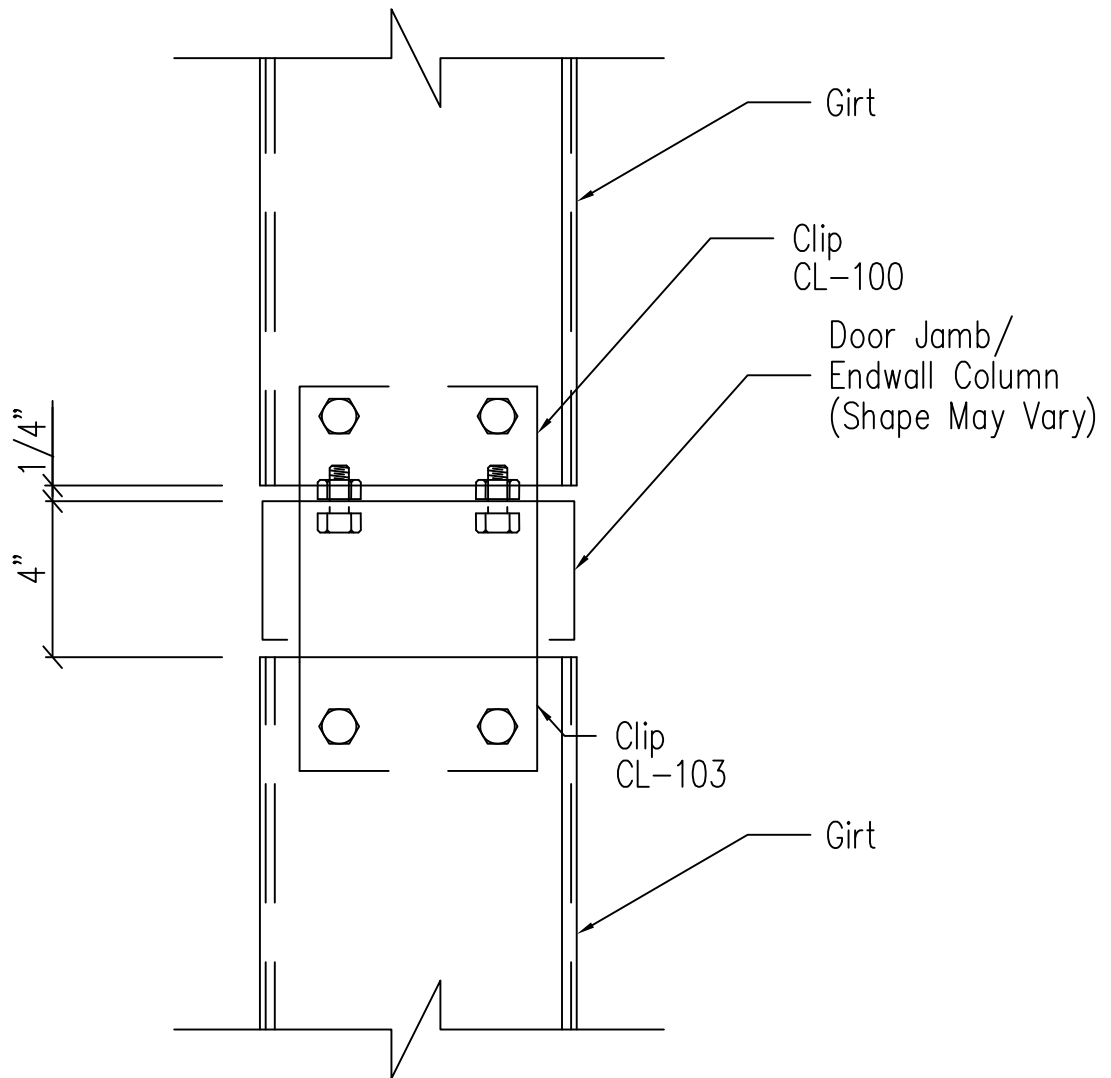


Note: All connection bolts are 1/2" x 1 1/4" machine bolts unless noted.

Girt to "C" Door Jamb/Endwall Column Connection

DRAWING NO.

SD43

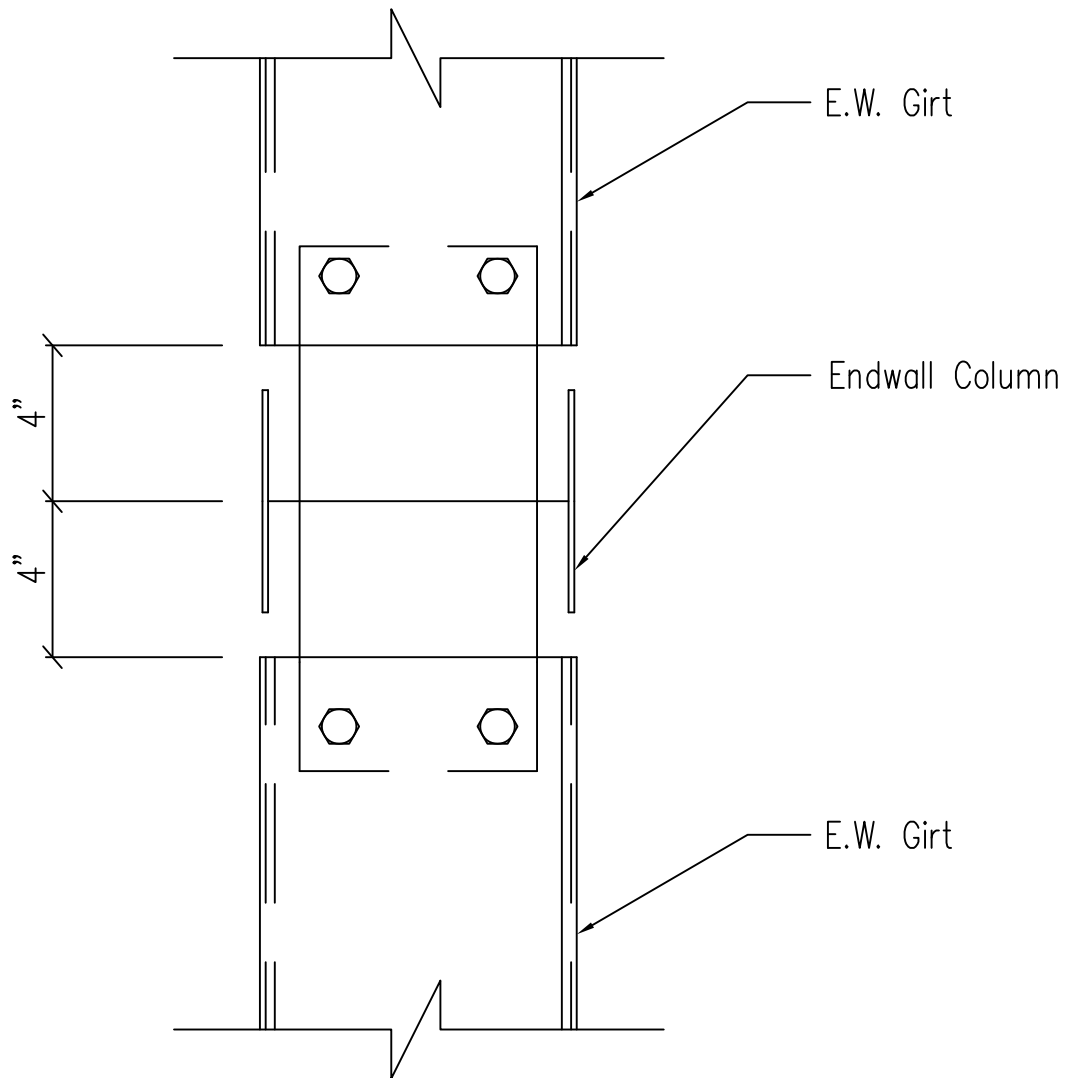


ERECTOR NOTE: IF CLIP BOXES ON BUILDING ELEVATION VIEW(S) ARE BELOW THE INTENDED GIRT LINE, THE CLIP(S) IN REFERENCE ARE TOED DOWN. IF ABOVE THE GIRT LINE, THEN TOED UP.

Note: All connection bolts are 1/2" x 1 1/4" machine bolts unless noted.

Girt to "C" Door Jamb/Endwall Column Connection

DRAWING NO.
SD43

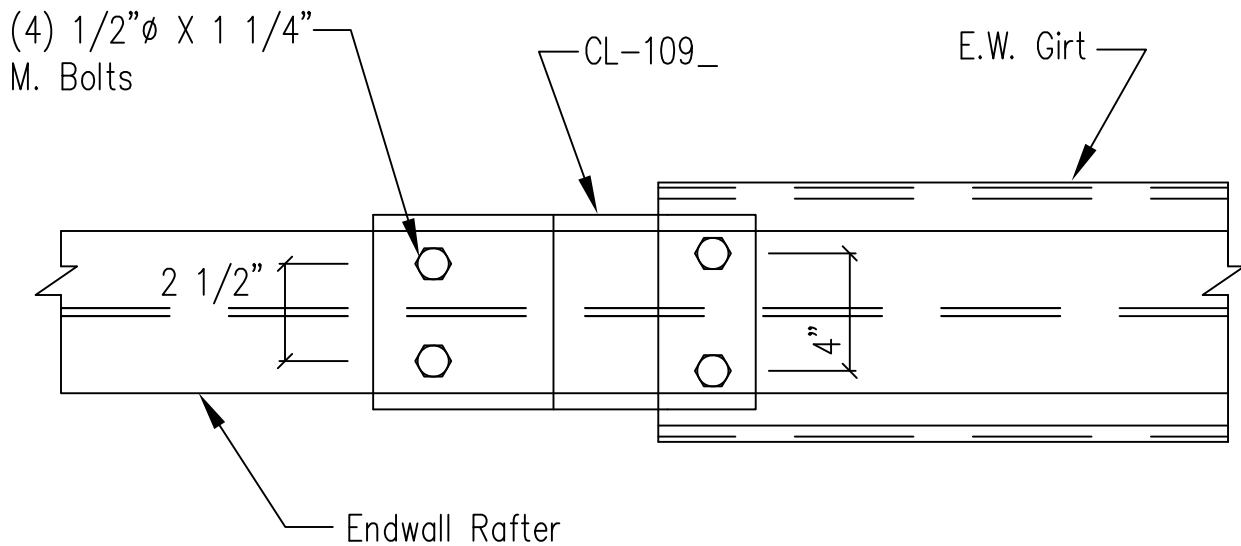
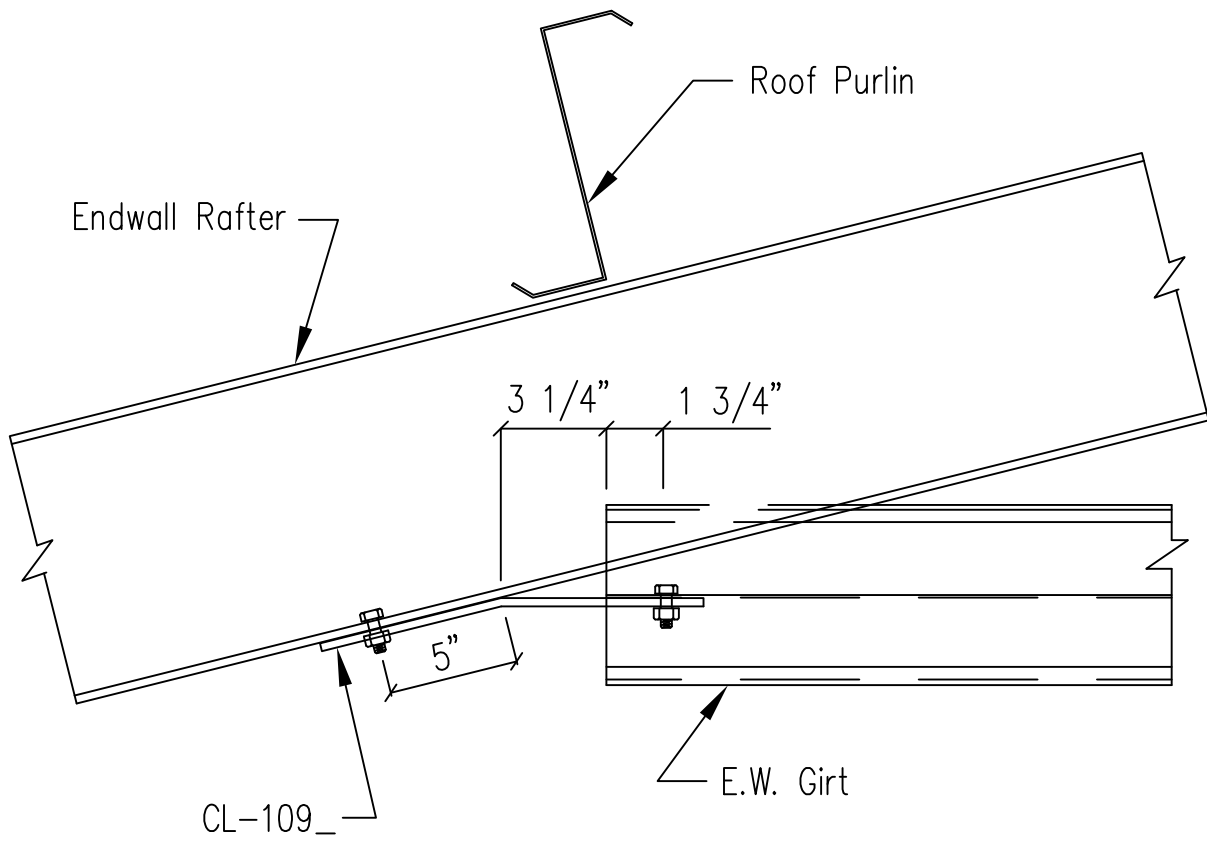


Note: All connection bolts are 1/2" x 1 1/4" machine bolts unless noted.

Girt to Hot Rolled Endwall Column Connection

DRAWING NO.

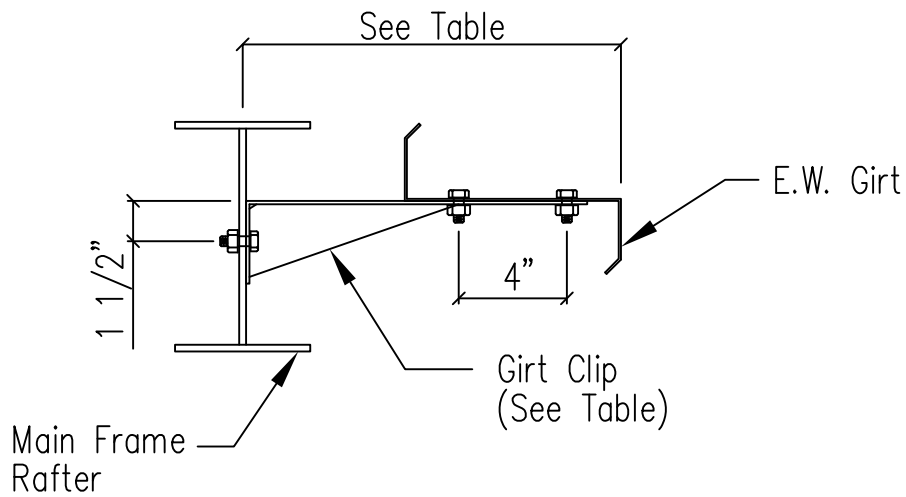
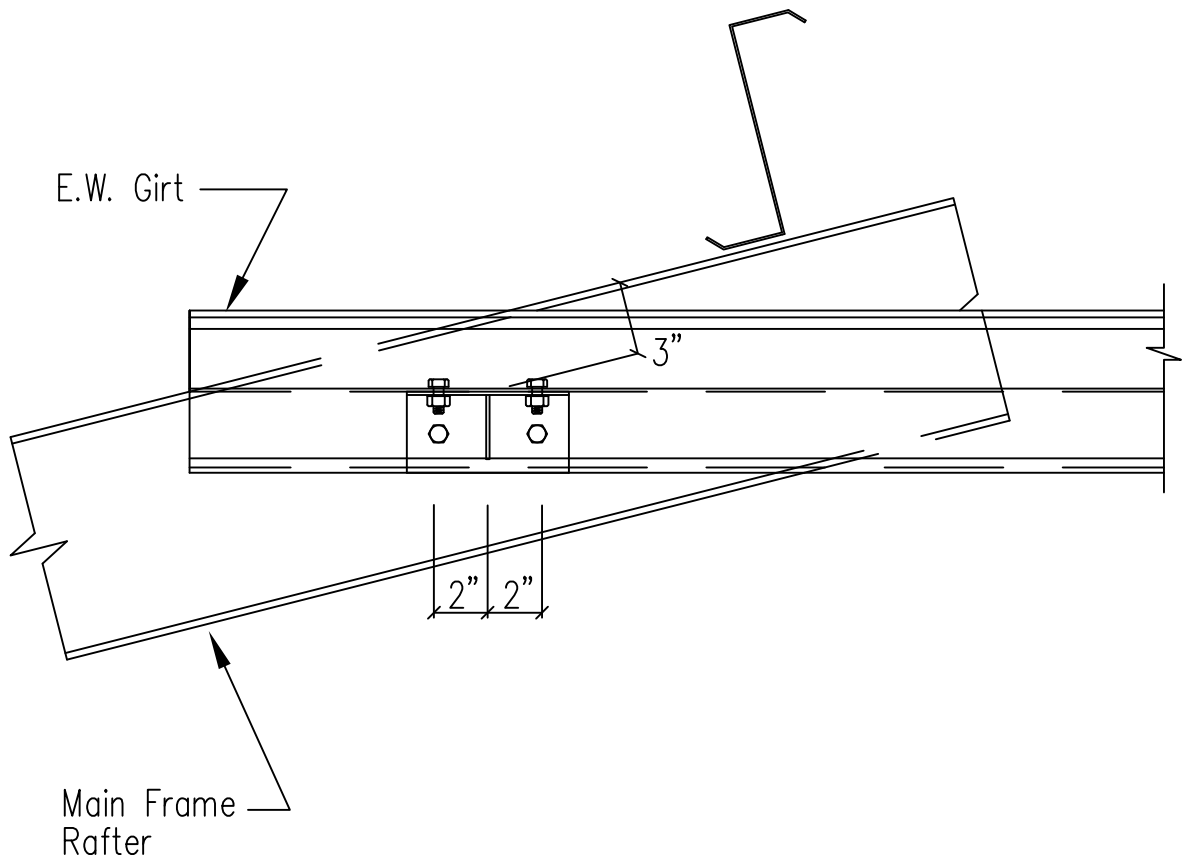
SD44



Endwall Girt to Hot Rolled Rafter

DRAWING NO.

SD45



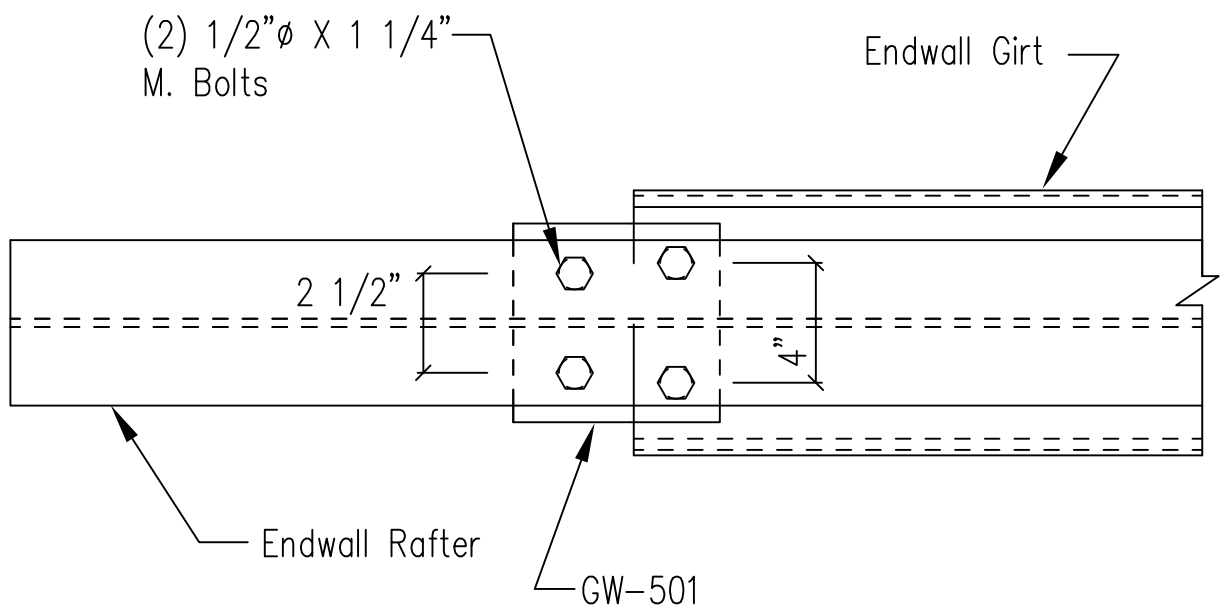
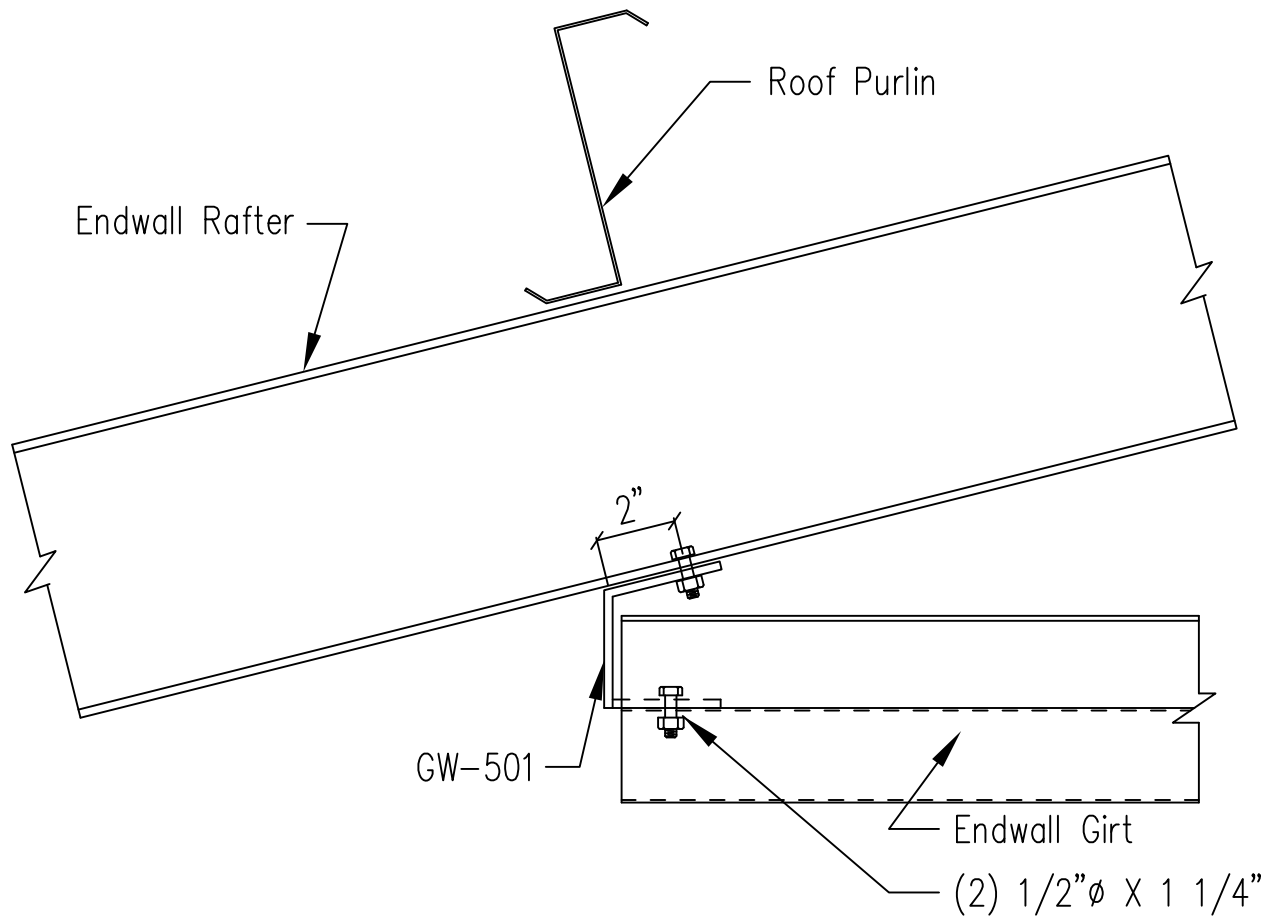
GIRT DEPTH	CLIP	DIMENSION
8"	CL-107	1'-2"
10"	CL-108	1'-2"
1'-0"	CL-107	1'-4"

All Bolts are 1/2" x 1 1/4" A307 Bolt

Endwall Girt to M.F. Rafter

DRAWING NO.

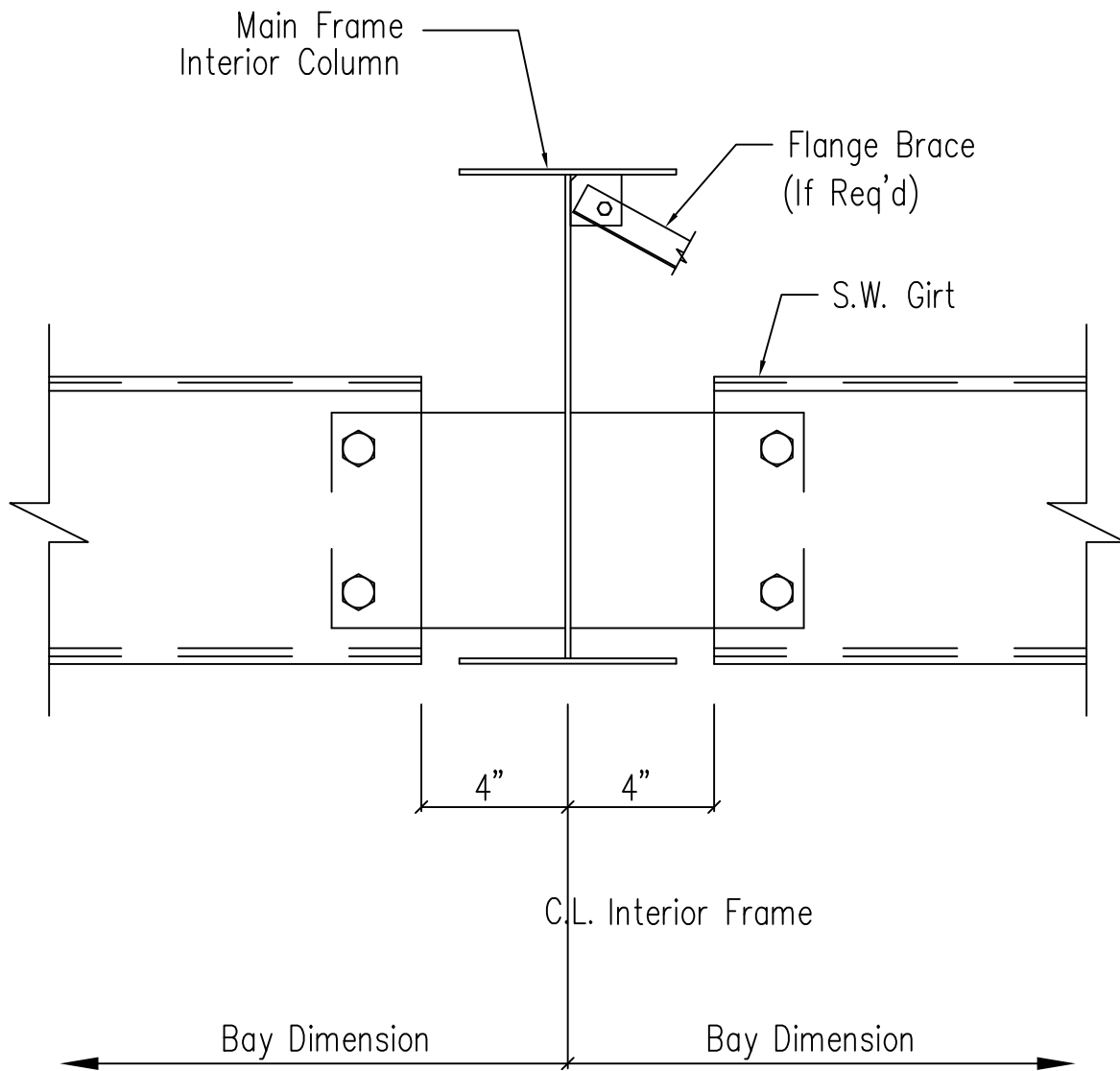
SD46



Girt to Rafter

DRAWING NO.

SD46



Note: All connection bolts are 1/2" x 1 1/4" machine bolts unless noted.

Section at Interior MF Column

Flush Sidewall

DRAWING NO.

SD49

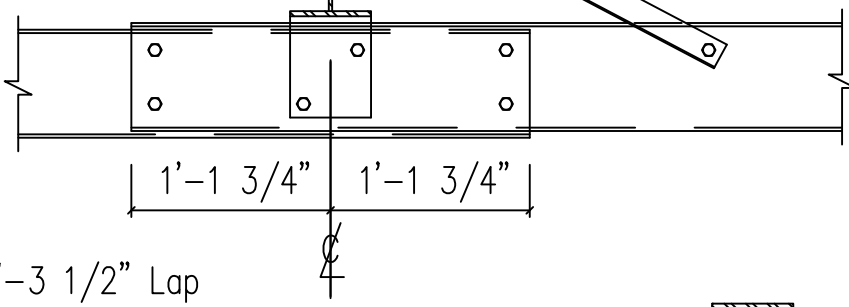
Additional
Flange Brace
(As Req'd)

Flange Brace

Flange Brace

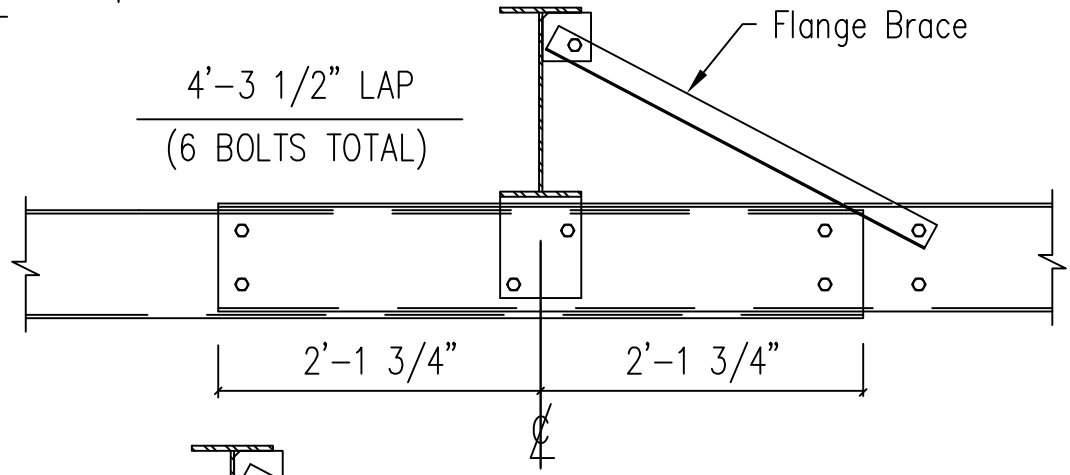
3 3/4" 3 3/4"

0'-7 1/2" Lap
(4 Bolts Total)

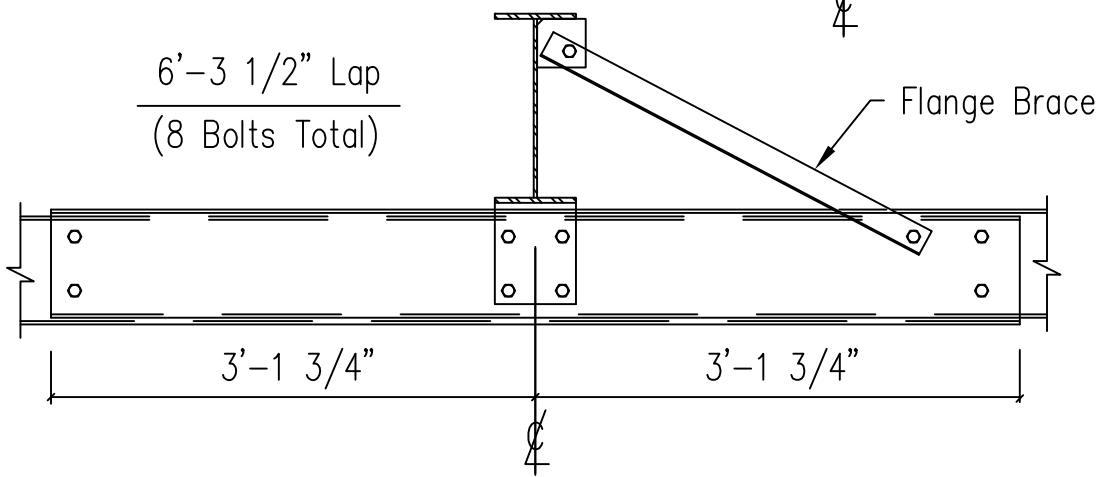


2'-3 1/2" Lap
(6 Bolts Total)

4'-3 1/2" LAP
(6 BOLTS TOTAL)



6'-3 1/2" Lap
(8 Bolts Total)

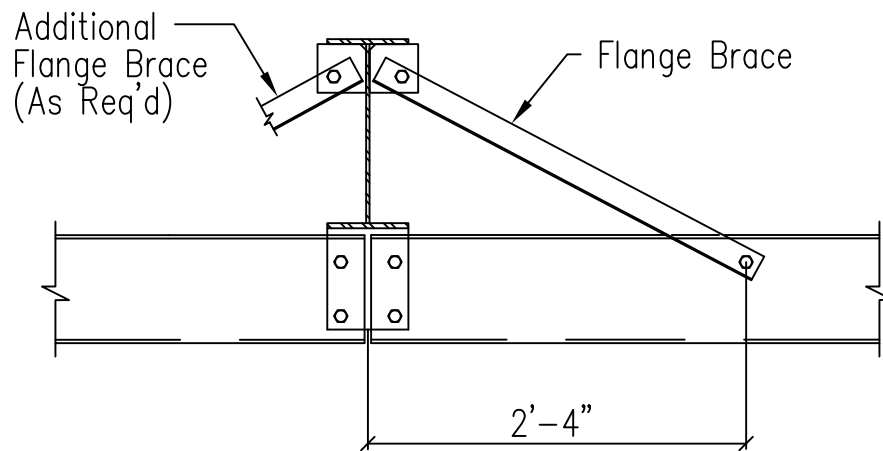


Note: All connection bolts are 1/2" x 1 1/4" machine bolts unless noted.

Interior Bay Girt Framing

DRAWING NO.

SD51



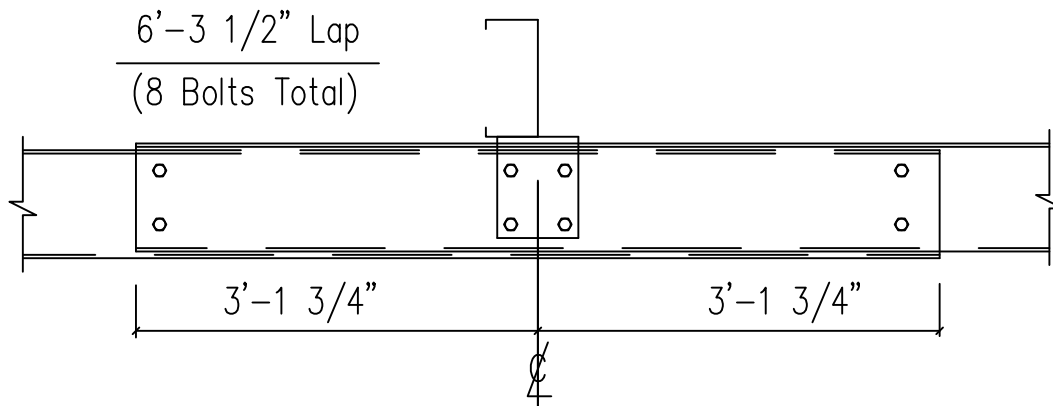
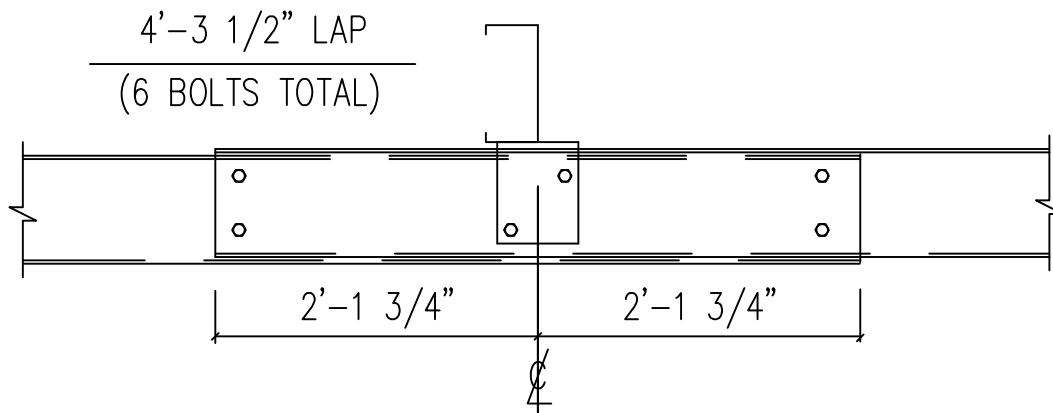
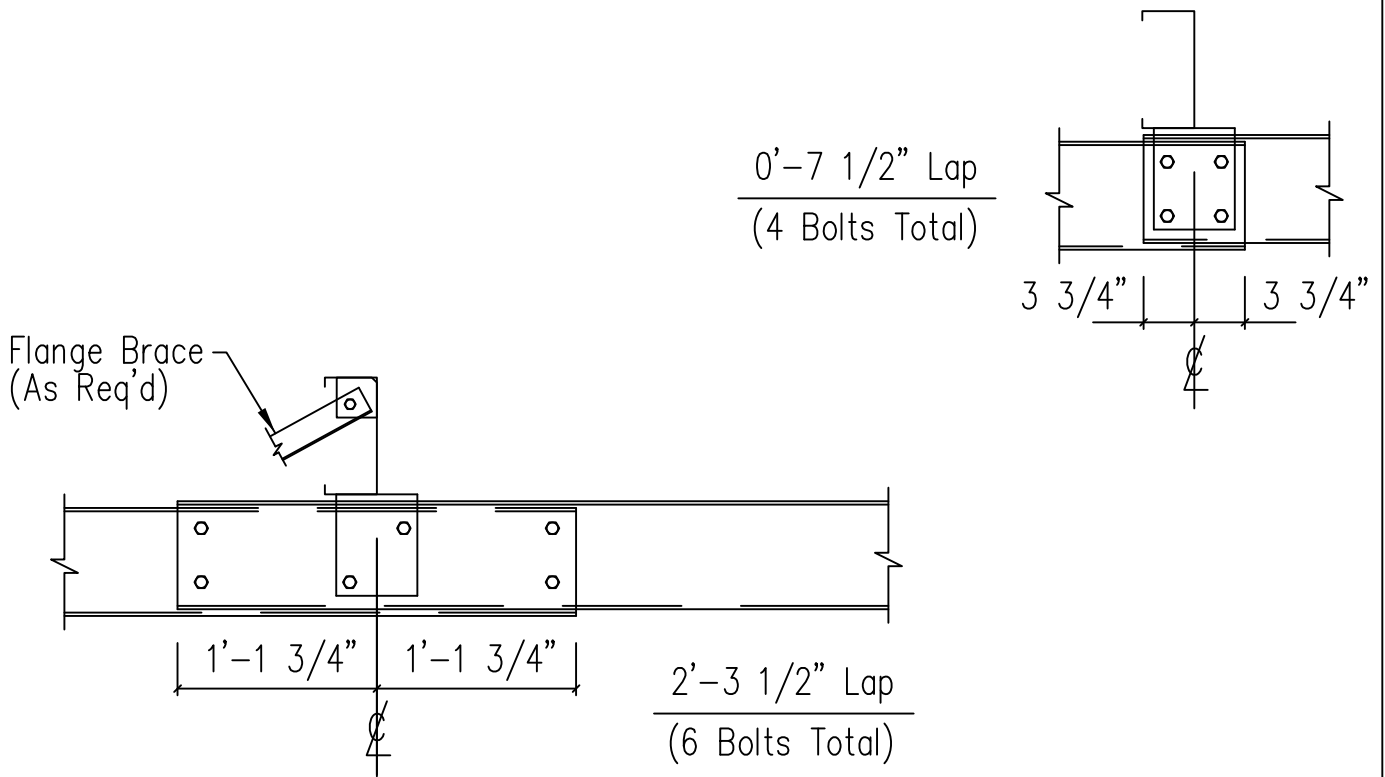
(4 Bolts Total)

Note: All connection bolts are 1/2" x 1 1/4" machine bolts unless noted.

Simple Span Girt Framing

DRAWING NO.

SD52



Note: All connection bolts are 1/2" x 1 1/4" machine bolts unless noted.

"C" Endwall Column to By-Pass Girt

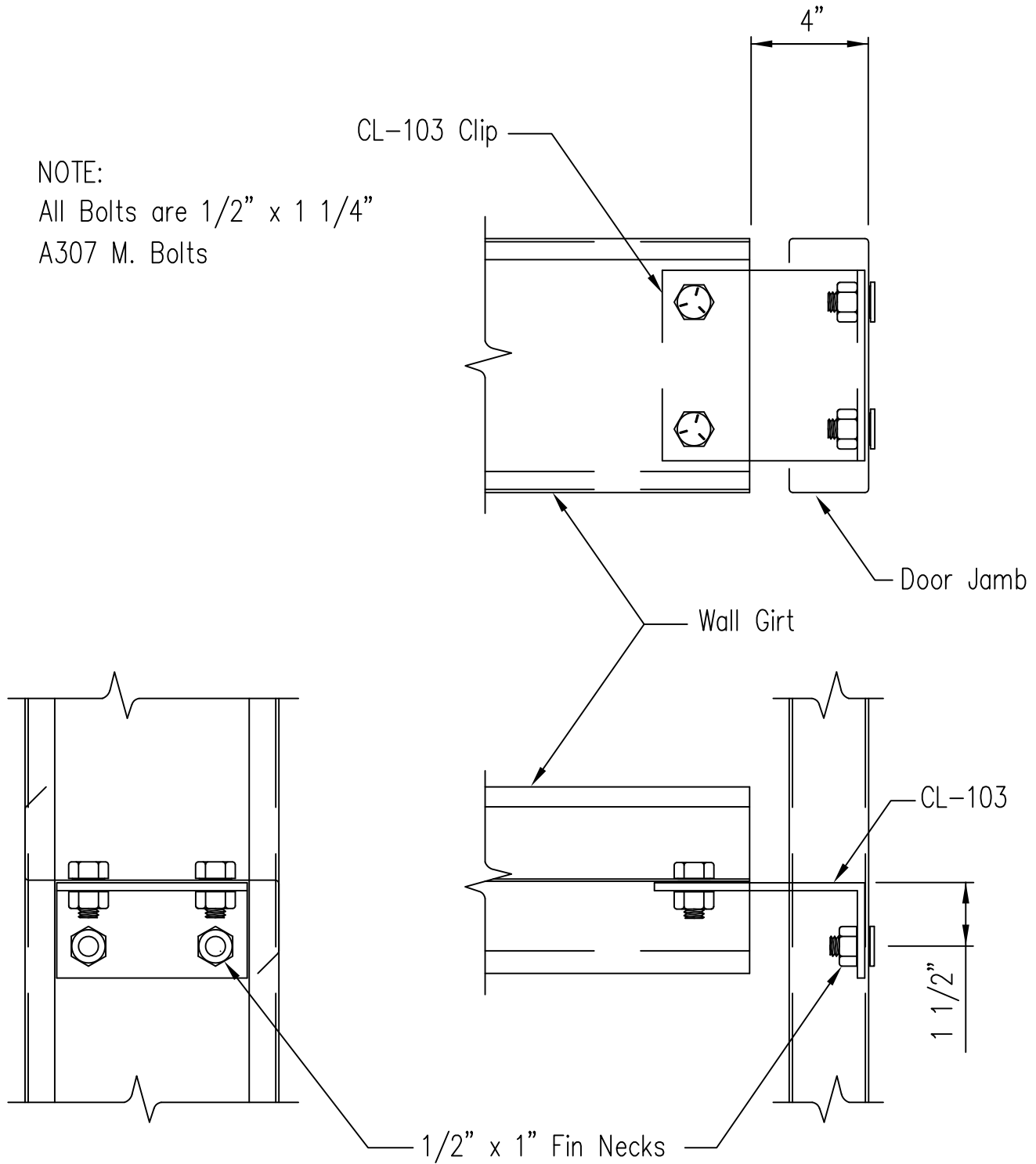
DRAWING NO.

SD53

NOTE:

All Bolts are 1/2" x 1 1/4"

A307 M. Bolts



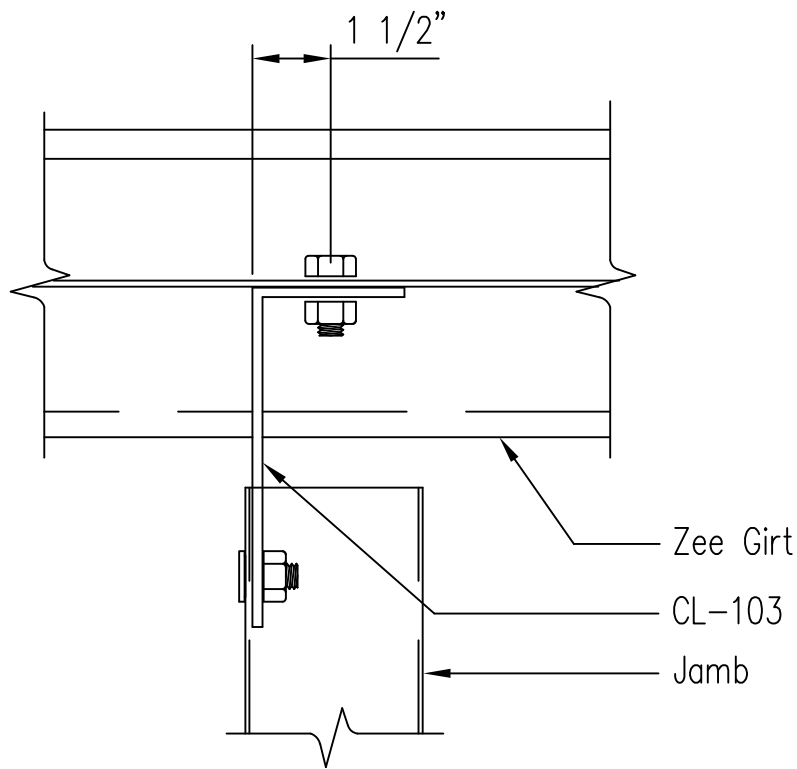
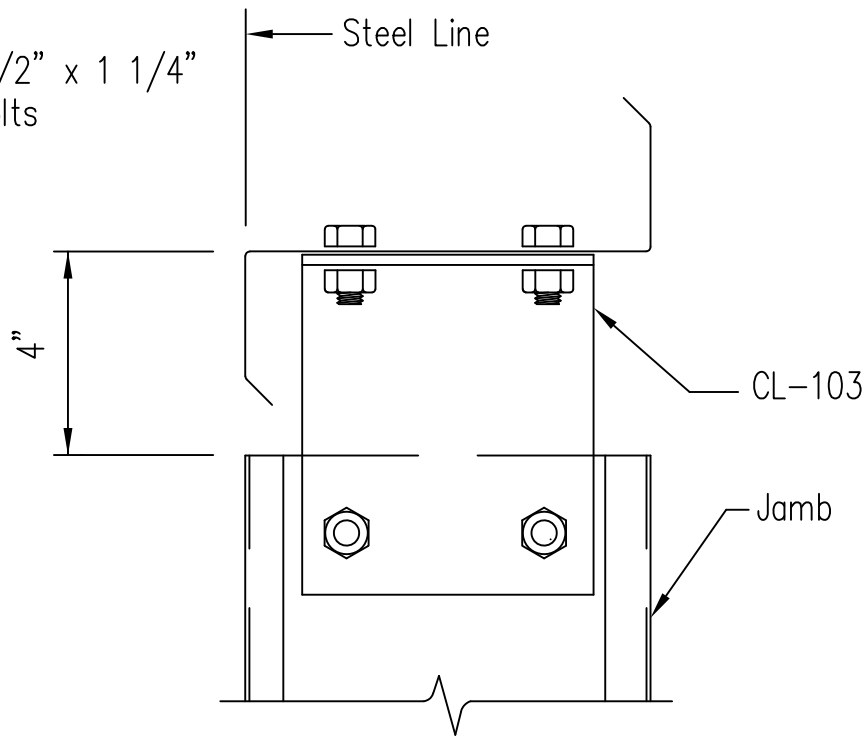
ERECTOR NOTE: IF CLIP BOXES ON BUILDING ELEVATION VIEW(S) ARE BELOW THE INTENDED GIRT LINE, THE CLIP(S) IN REFERENCE ARE TOED DOWN. IF ABOVE THE GIRT LINE, THEN TOED UP. THE DRAWINGS ABOVE ARE TOED DOWN FOR REFERENCE.

Girt to Jamb (Bolted Clips)

DRAWING NO.

SD87

NOTE:
All Bolts are 1/2" x 1 1/4"
A307 Mach. Bolts



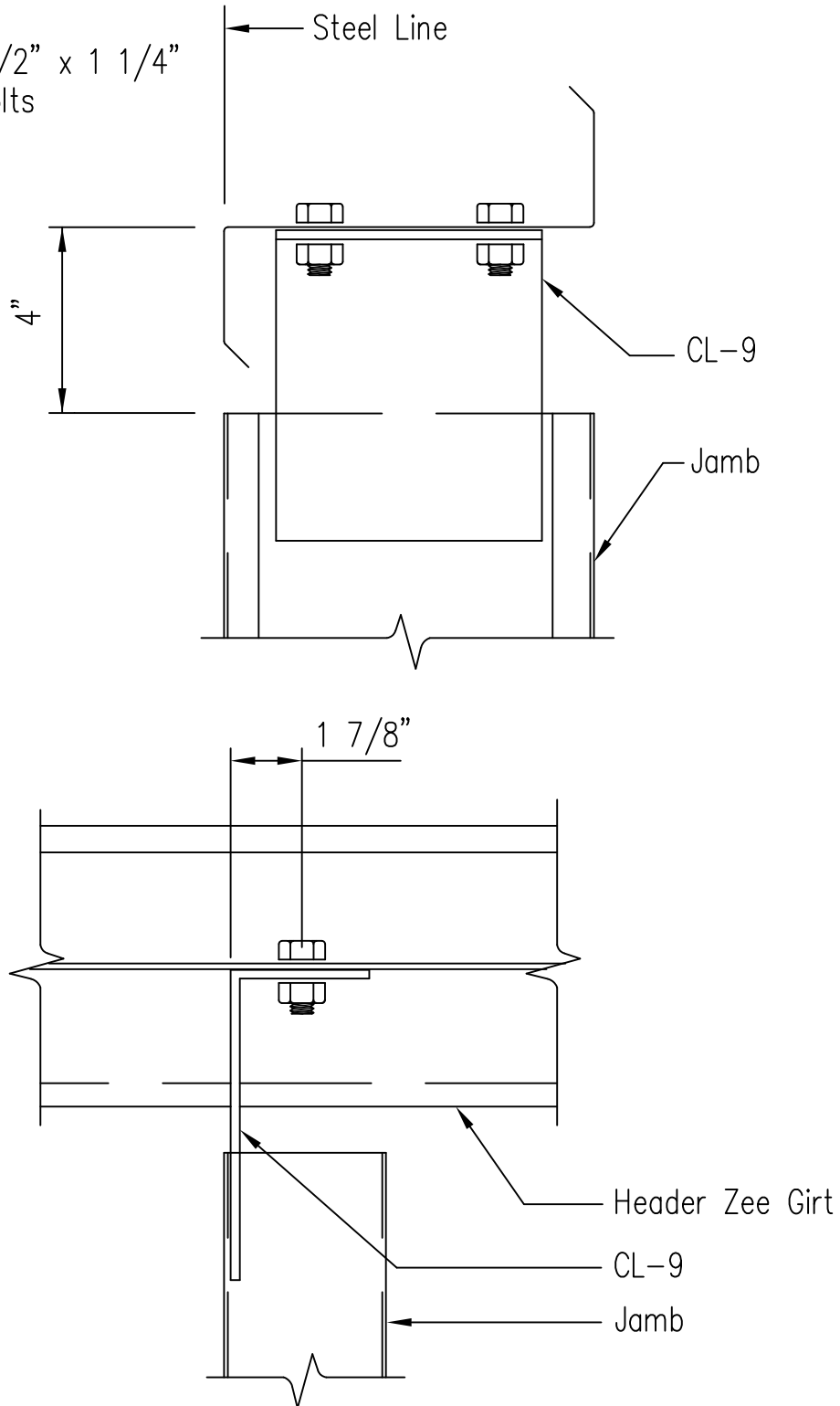
ERECTOR NOTE: IF CLIP BOXES ON BUILDING ELEVATION VIEW(S) ARE LEFT OF THE INTENDED JAMB LINE, THE CLIP(S) IN REFERENCE ARE TOED LEFT. IF RIGHT OF THE JAMB LINE, THEN TOED RIGHT. THE DRAWINGS ABOVE ARE TOED LEFT FOR REFERENCE.

Jamb to Girt

DRAWING NO.

SD93

NOTE:
All Bolts are 1/2" x 1 1/4"
A307 Mach. Bolts



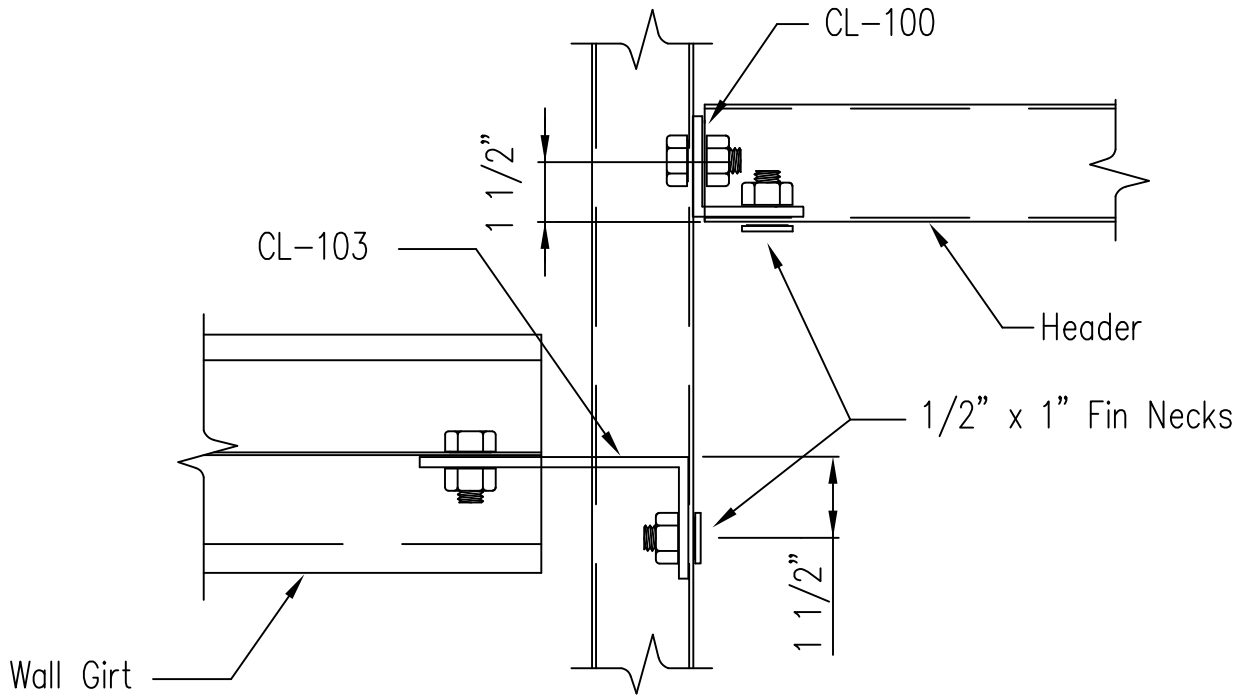
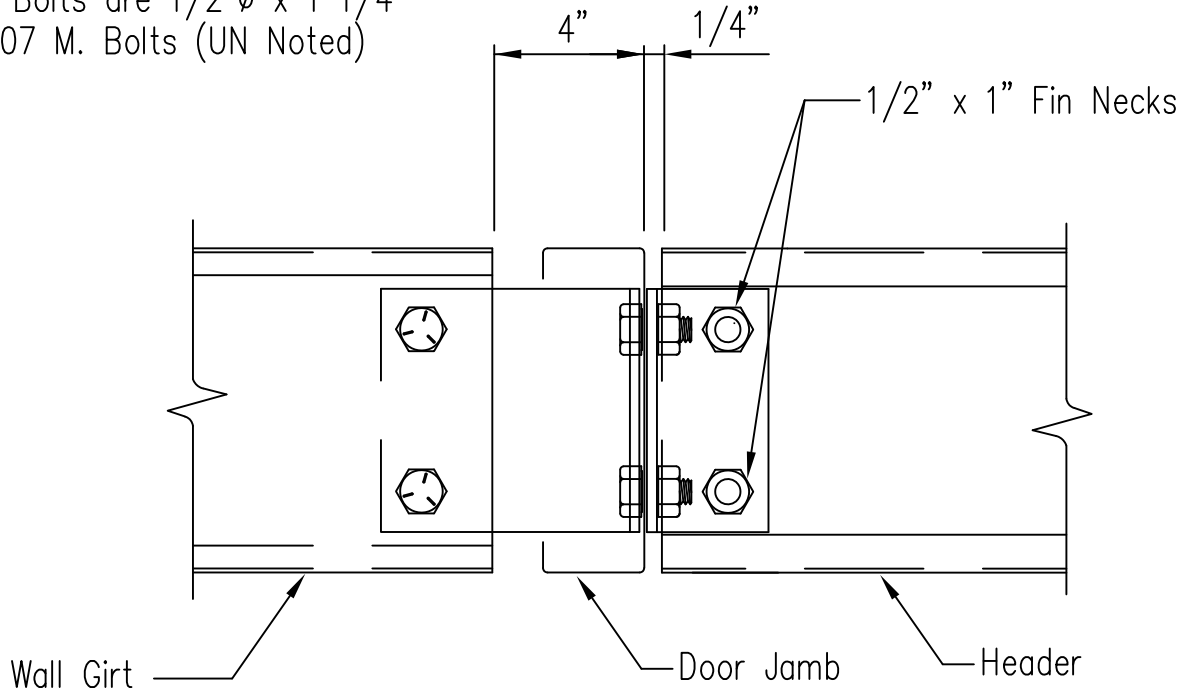
Jamb to Header Girt

DRAWING NO.

SD94

NOTE:

All Bolts are $1/2''\phi \times 1\ 1/4''$
A307 M. Bolts (UN Noted)



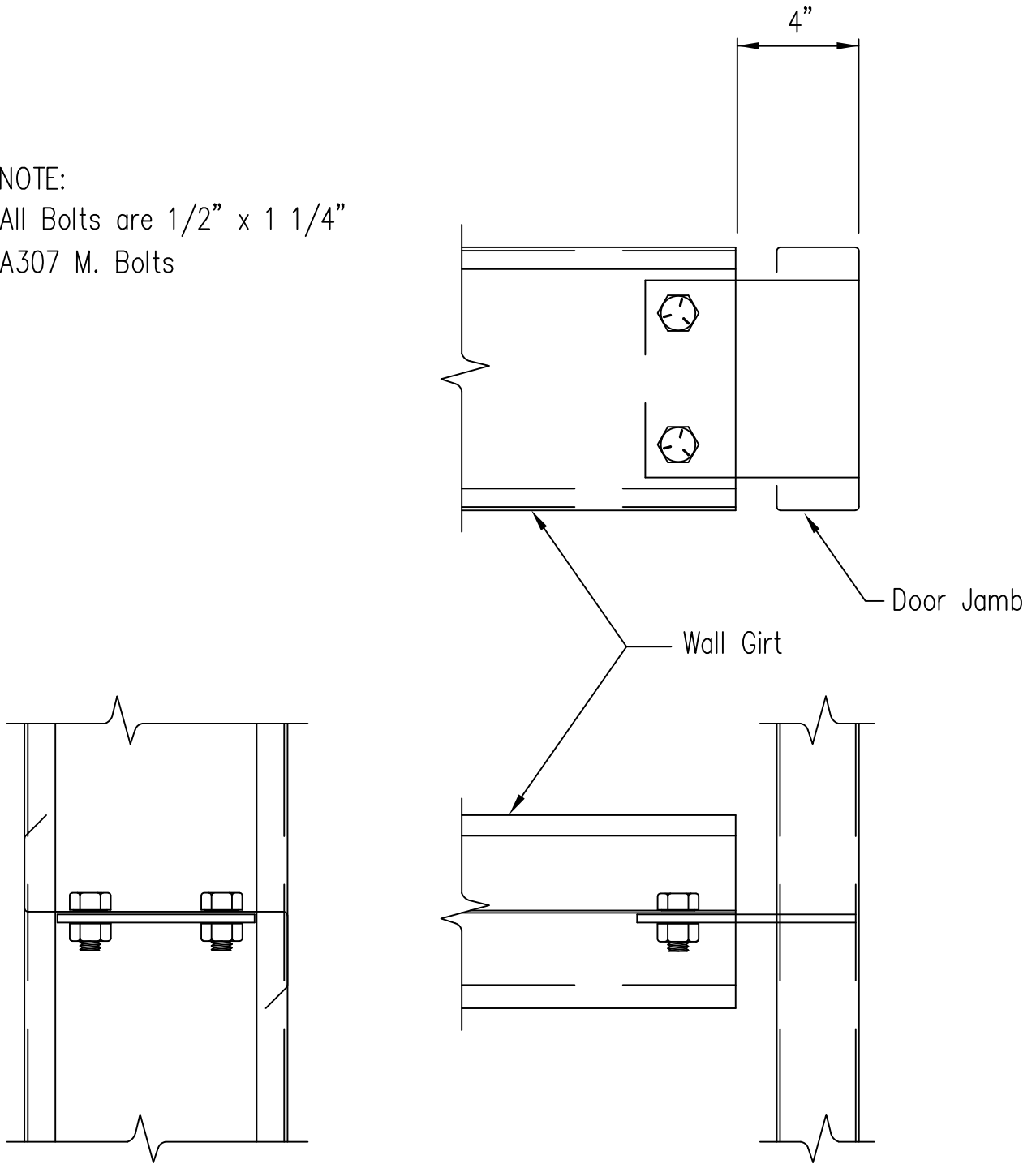
ERECTOR NOTE: IF CLIP BOXES ON BUILDING ELEVATION VIEW(S) ARE BELOW THE INTENDED GIRT LINE, THE CLIP(S) IN REFERENCE ARE TOED DOWN. IF ABOVE THE GIRT LINE, THEN TOED UP. THE DRAWINGS ABOVE ARE TOED DOWN FOR REFERENCE.

Girt/Header to Jamb

DRAWING NO.

SD95

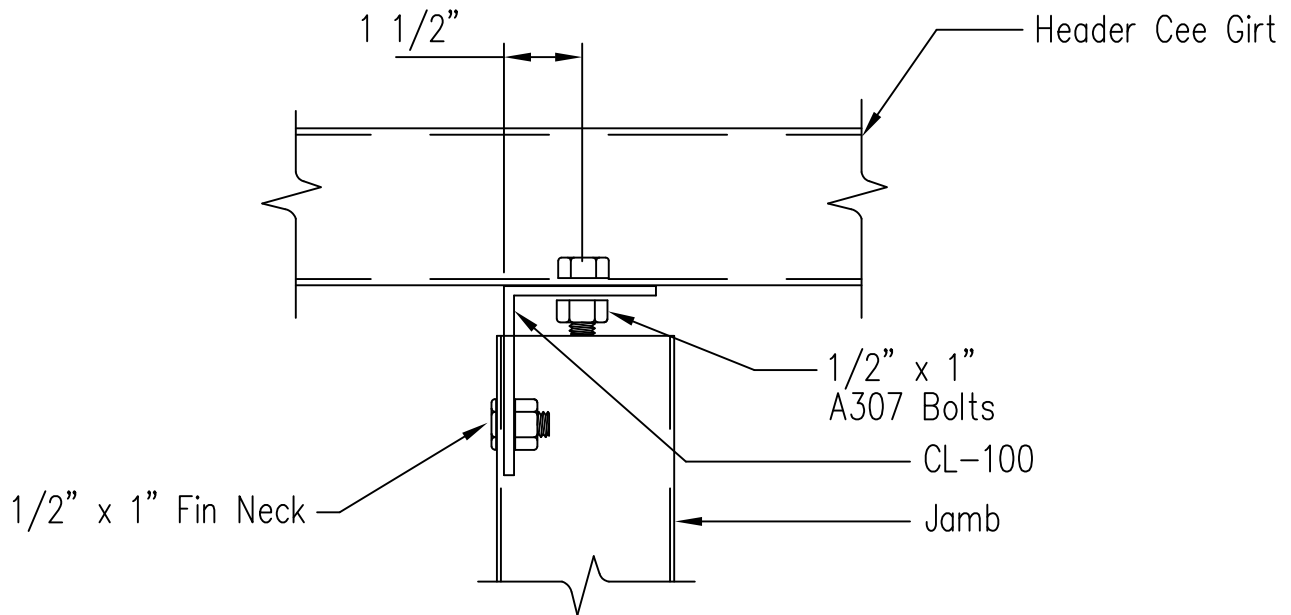
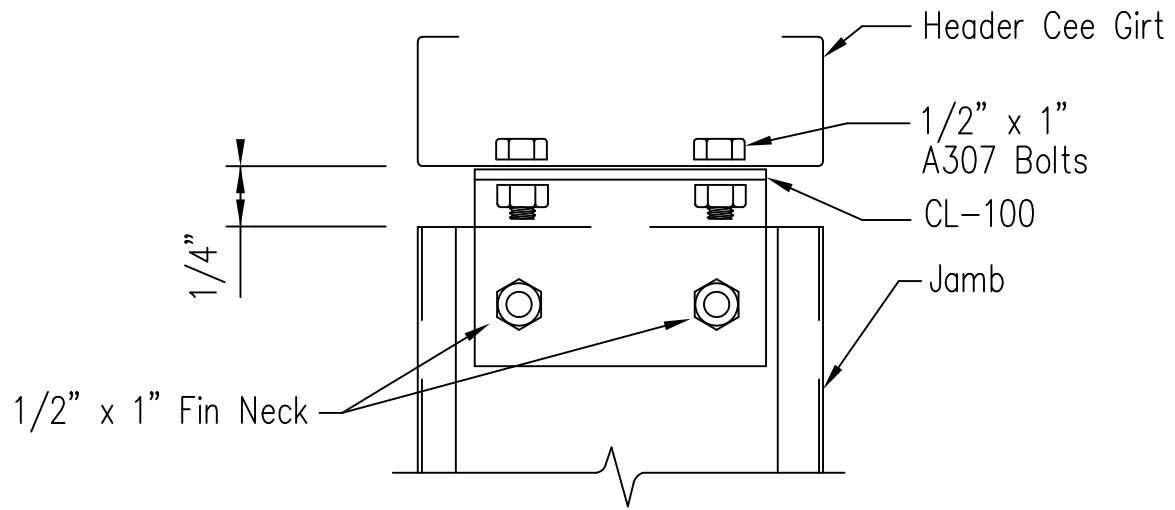
NOTE:
All Bolts are 1/2" x 1 1/4"
A307 M. Bolts



Girt to Jamb

DRAWING NO.

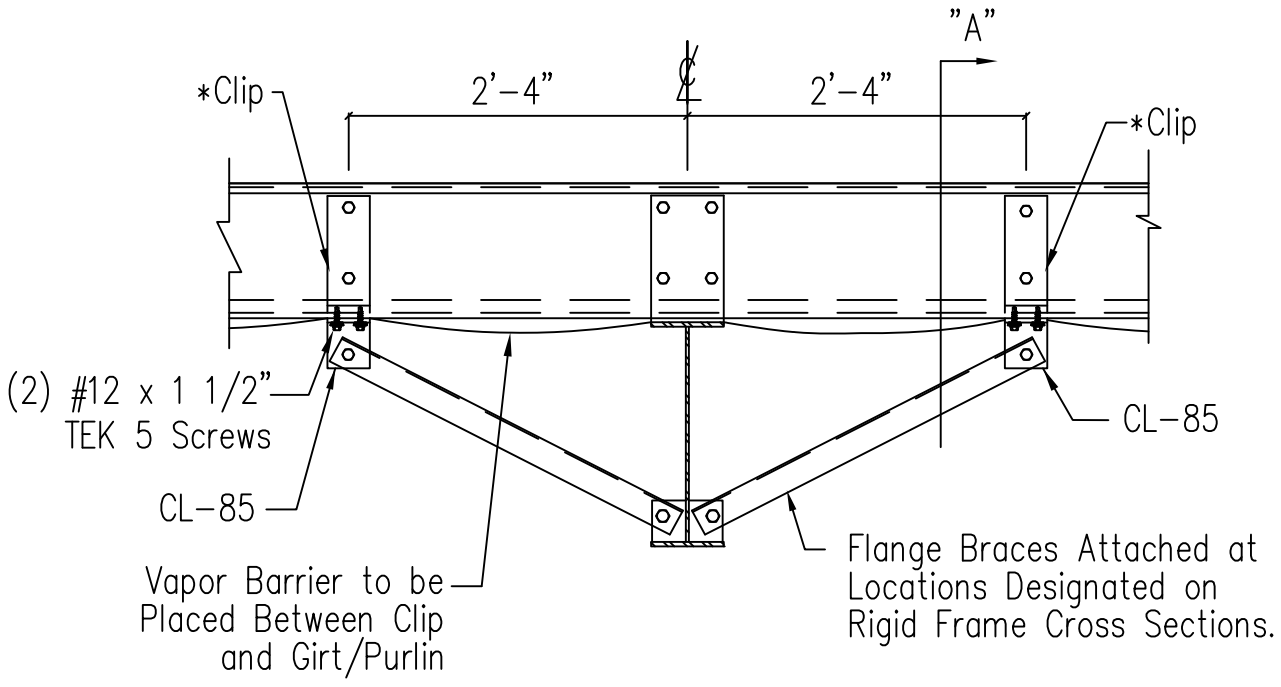
SD96



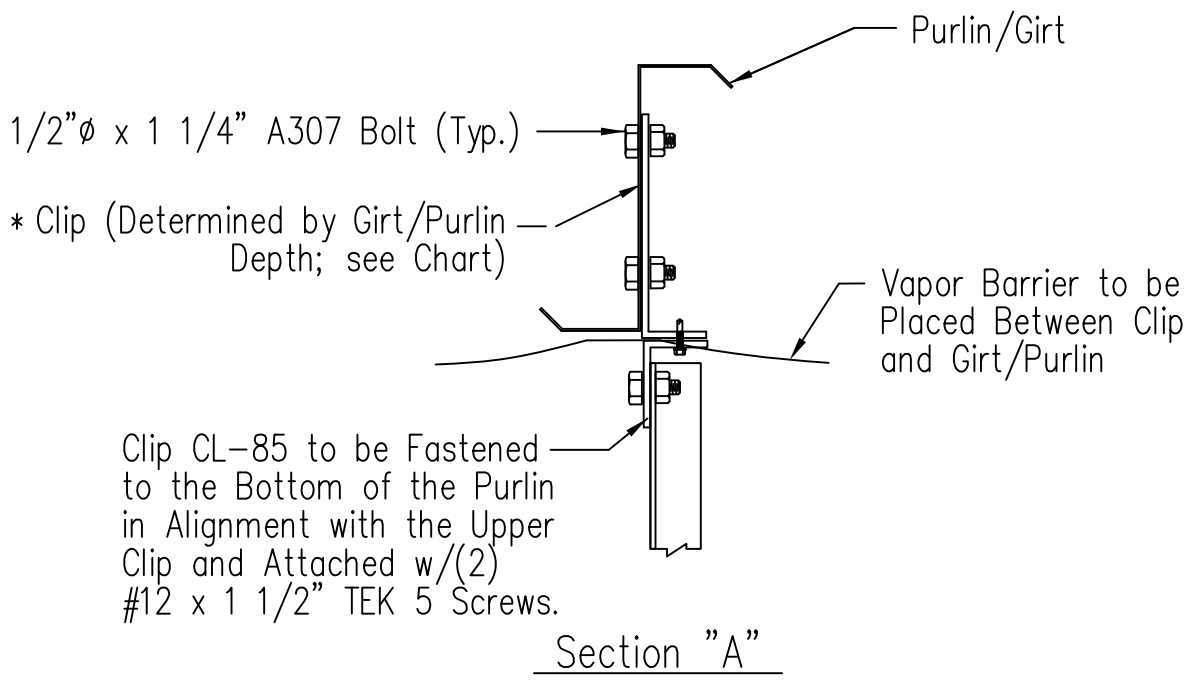
Jamb to Header Girt

DRAWING NO.

SD122

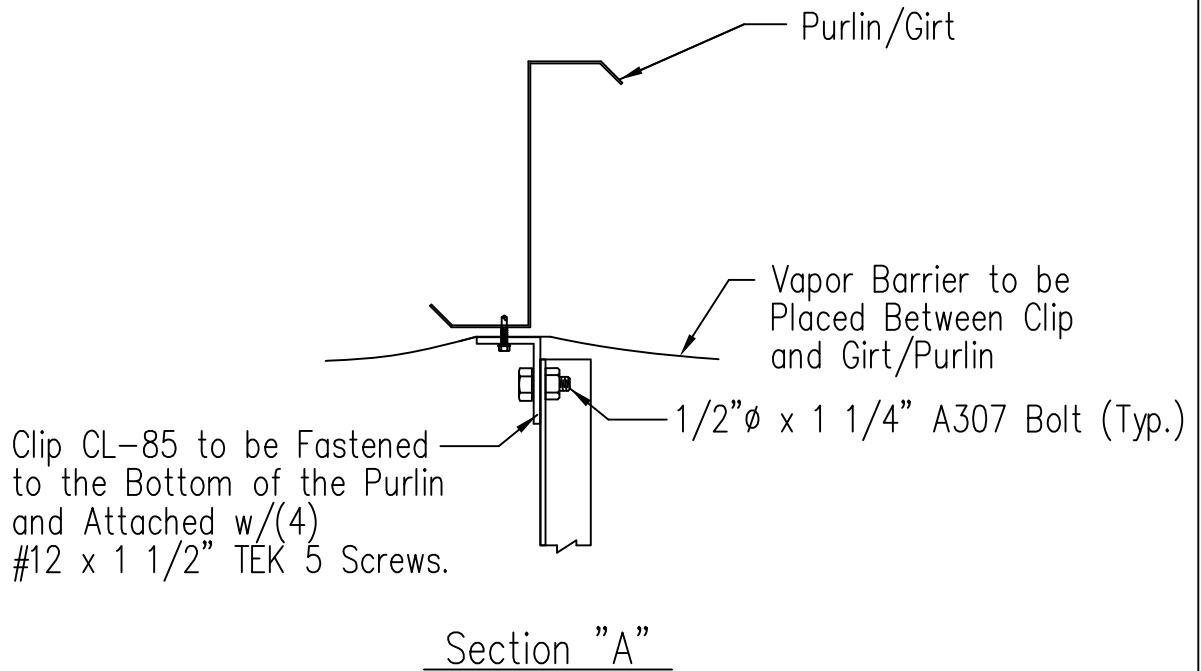
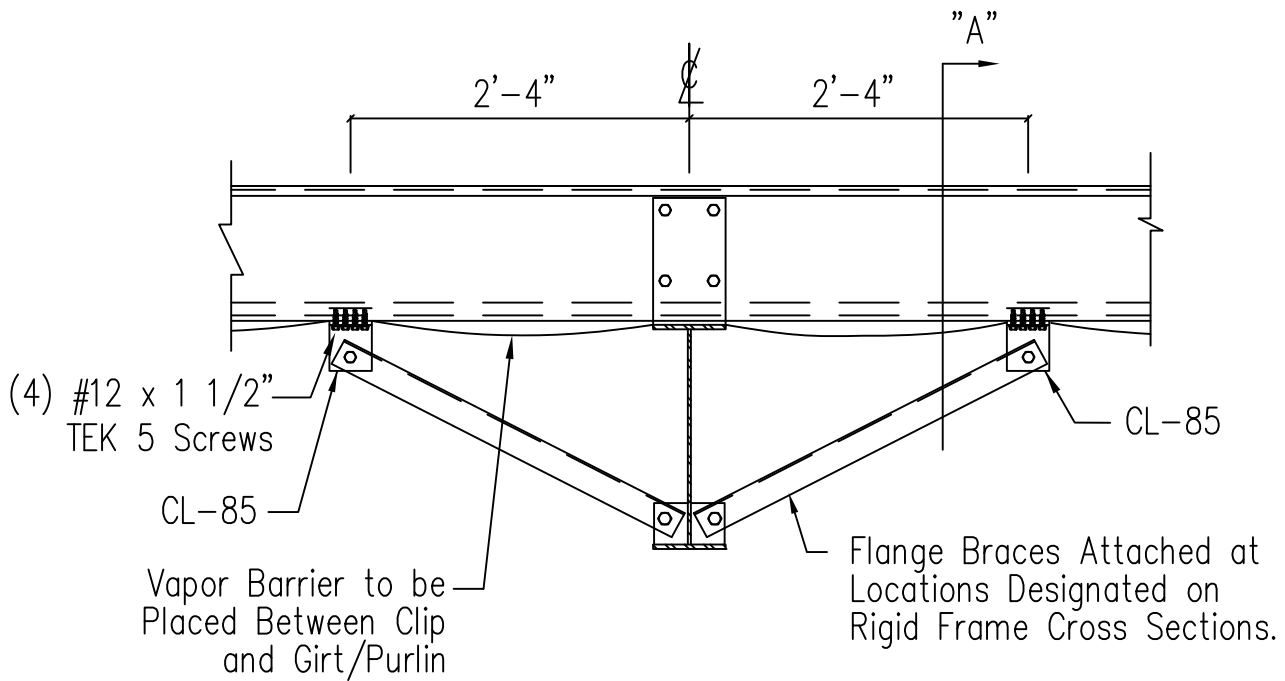


*Clip Table	
8" Girt/Purlin	CL-86
10" Girt/Purlin	CL-87
12" Girt/Purlin	CL-88



Note: All connection bolts are 1/2" x 1 1/4" machine bolts unless noted.

<p style="text-align: center;">Interior Girt/Purlin Flange Brace Attachment for Insulation</p>	<p>DRAWING NO.</p> <p style="font-size: 2em;">SD161</p>
<p>Revised On : 01/04/18 Created On: 8/26/11</p>	

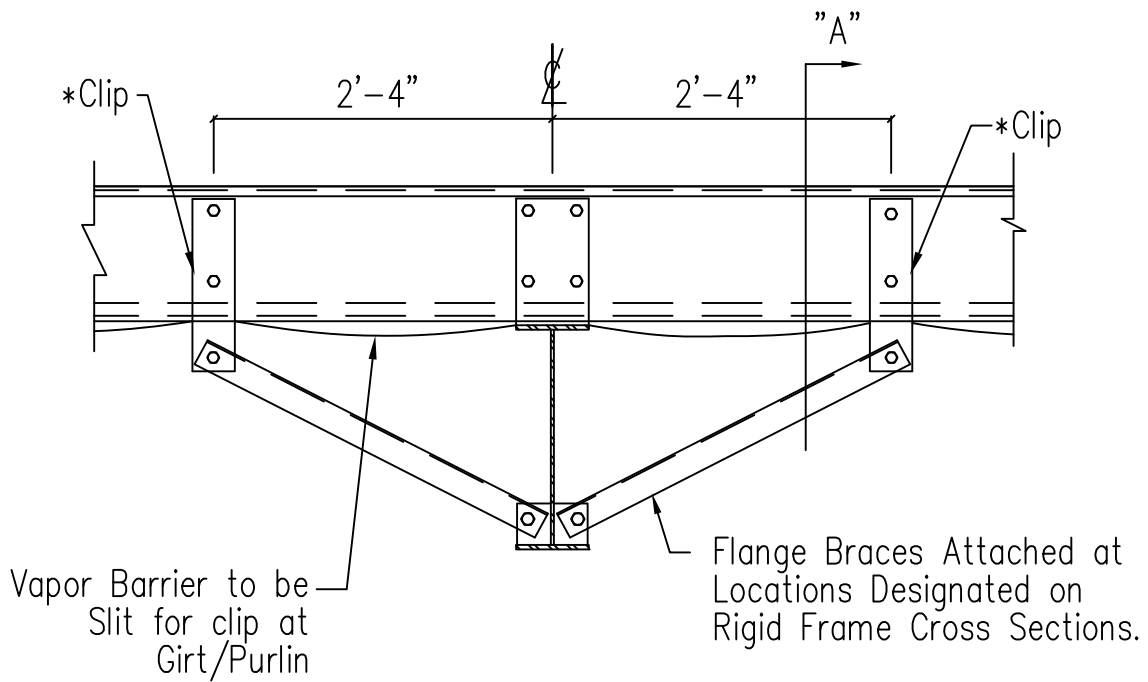


Note: All connection bolts are 1/2" x 1 1/4" machine bolts unless noted.

Interior Girt/Purlin Flange Brace Attachment for Insulation

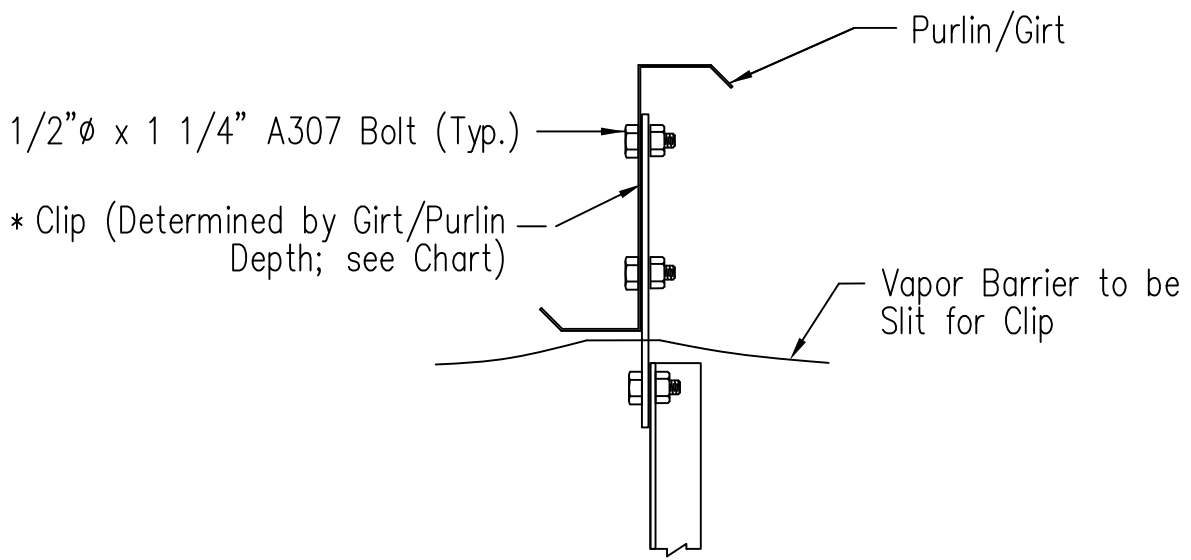
DRAWING NO.

SD162



ERECTOR NOTE:
When installing liner panels
precut slits in liner panel
before hanging overhead.

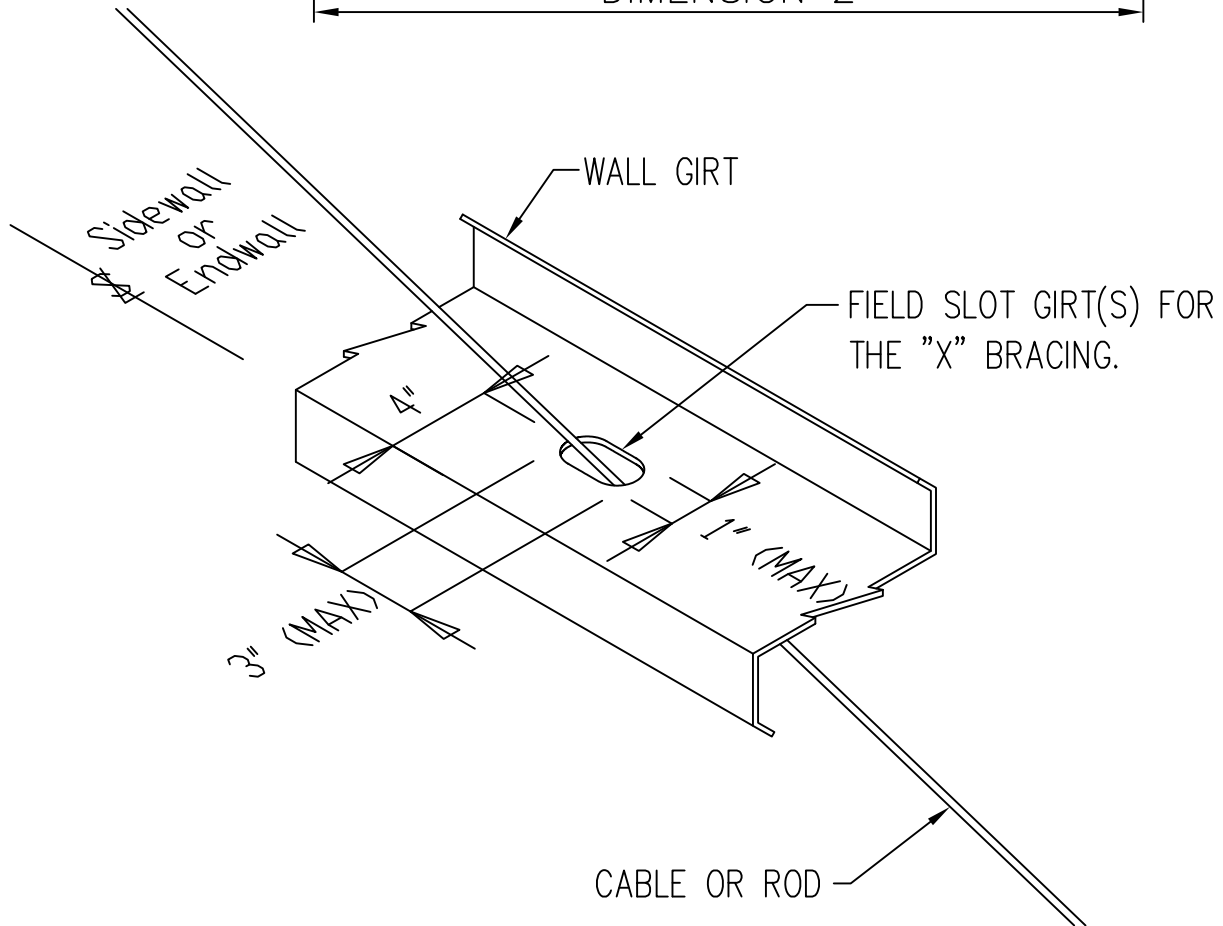
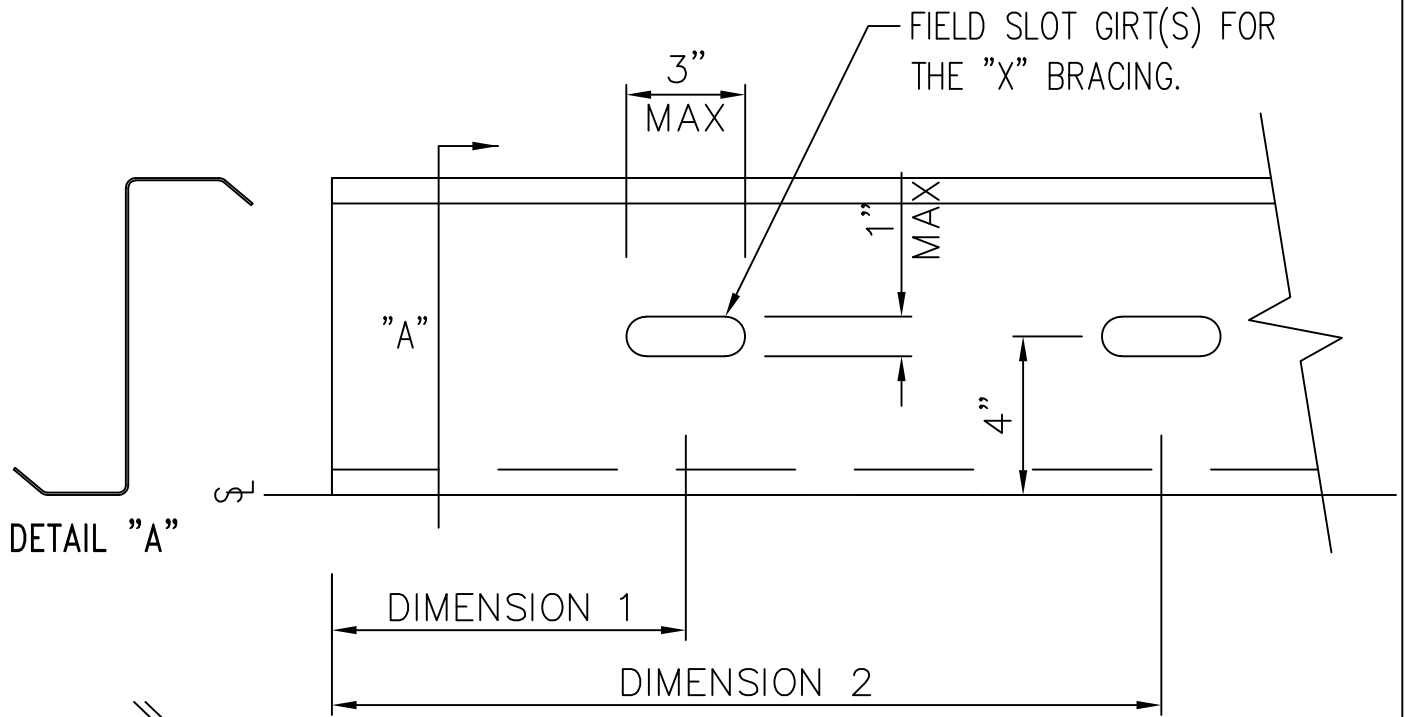
*Clip Table	
8" Girt/Purlin	CL-22
10" Girt/Purlin	CL-24
12" Girt/Purlin	CL-34



Section "A"

Note: All connection bolts are 1/2" x 1 1/4" machine bolts unless noted.

<p style="text-align: center;"><u>Interior Girt/Purlin Flange Brace Attachment for Insulation</u></p>	<p>DRAWING NO.</p> <h1 style="margin: 0;">SD163</h1>
<p>Revised On : 02/08/24 Created On: 8/26/11</p>	



NOTE: FIELD SLOT THE GIRT USING THE CORRESPONDING DIMENSIONS AS SHOWN ON THE "FIELD WORK TABLE" ON THE WALL ELEVATION.

Field Work Slotting for Bracing

DRAWING NO.

SD202