

GIRT WILL NEED TO BE FIELD DRILLED WITH 9/16" HOLES FOR CLIP ATTACHMENT.

ZEE GIRT

WALKDOOR HEADER

1/2" x 1 1/4" MACHINE BOLTS

BOLTED JAMB TO GIRT CLIP (GW-500)

(4) FLAT HEAD

GIRT WILL NEED TO BE FIELD CUT AT WALKDOOR JAMB.

ALL WALKDOOR FRAMED OPENINGS ARE FIELD LOCATED.

ZEE GIRT (IF REQ.)

Opening Width

(\* ) = ANCHOR SPACING VARIES PER WALKDOOR ANCHORS NOT SHOWN FOR CLARITY (NOT BY G.W.B.)

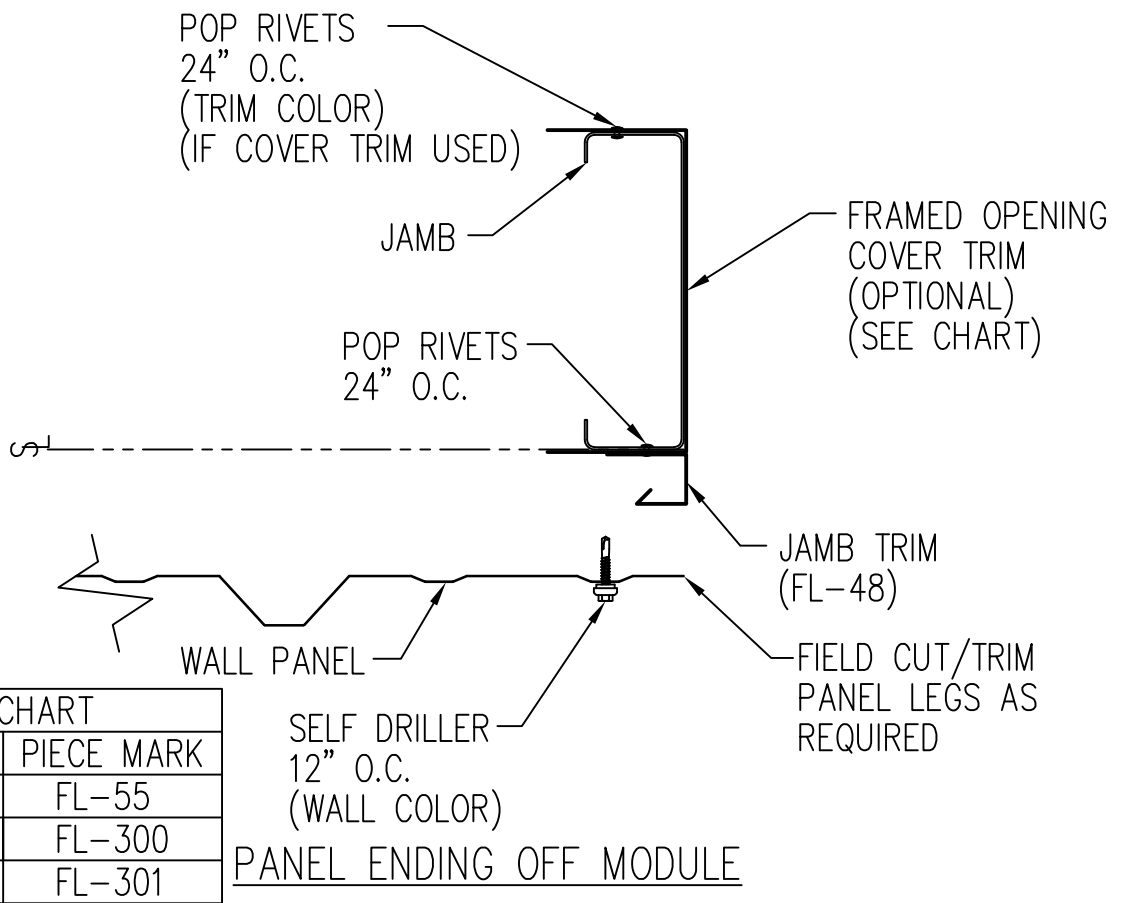
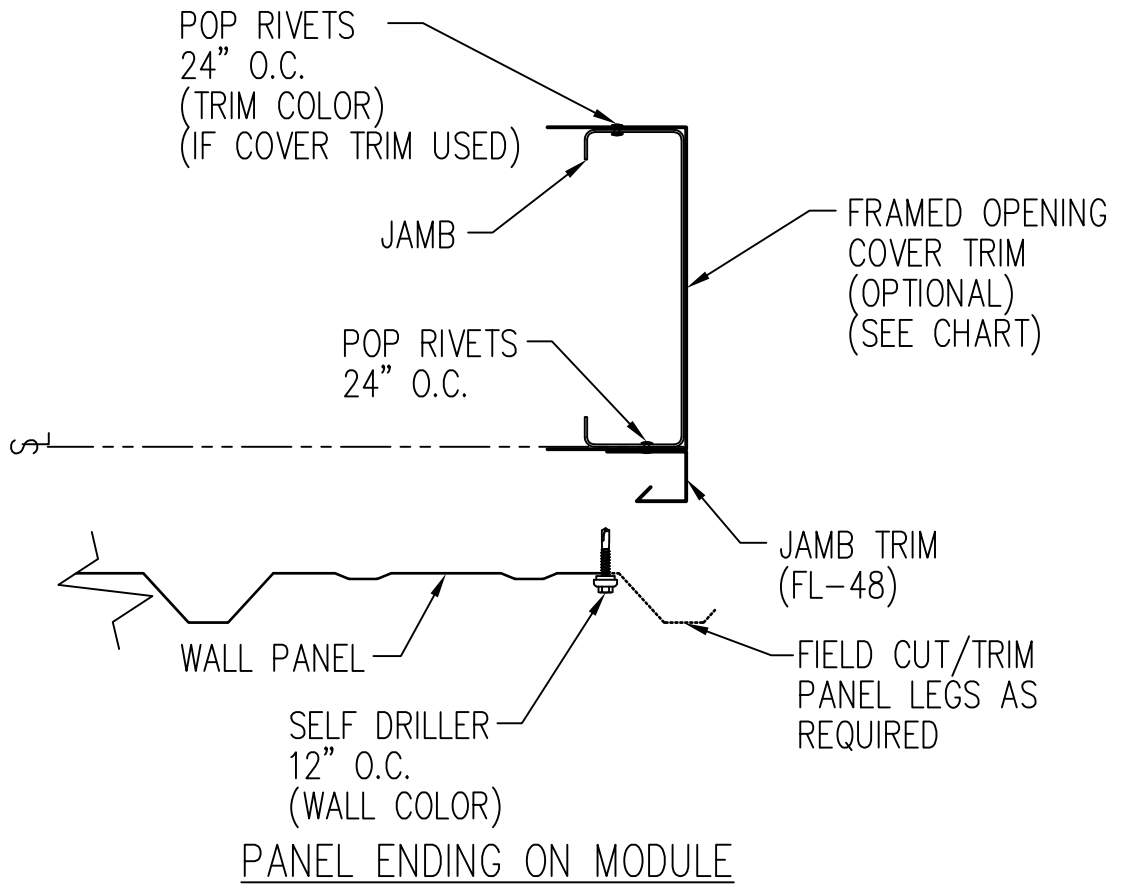
WALKDOOR JAMB

WELDED CLIP

# Personnel Doors

DRAWING NO.

TD50

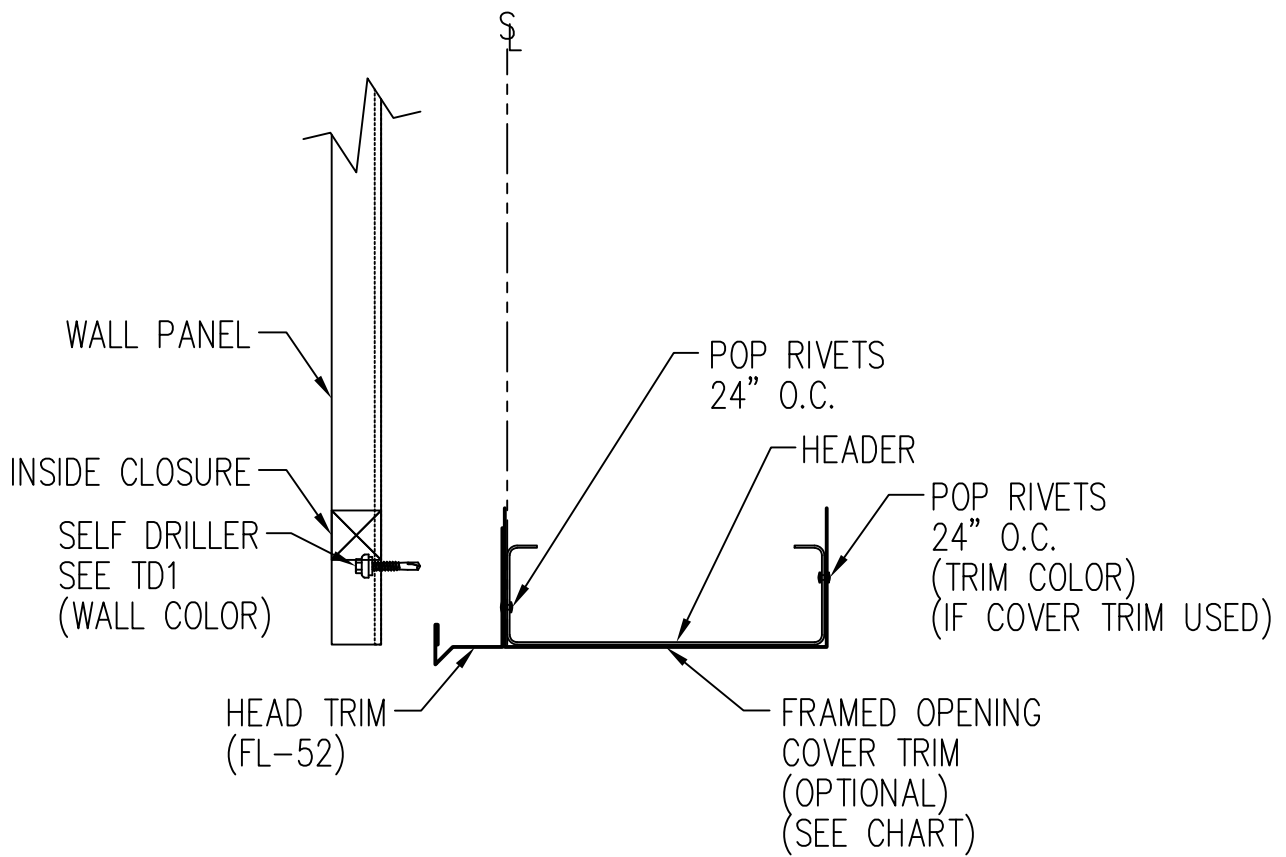


TRIM CHART	
GIRT SIZE	PIECE MARK
8"	FL-55
10"	FL-300
12"	FL-301

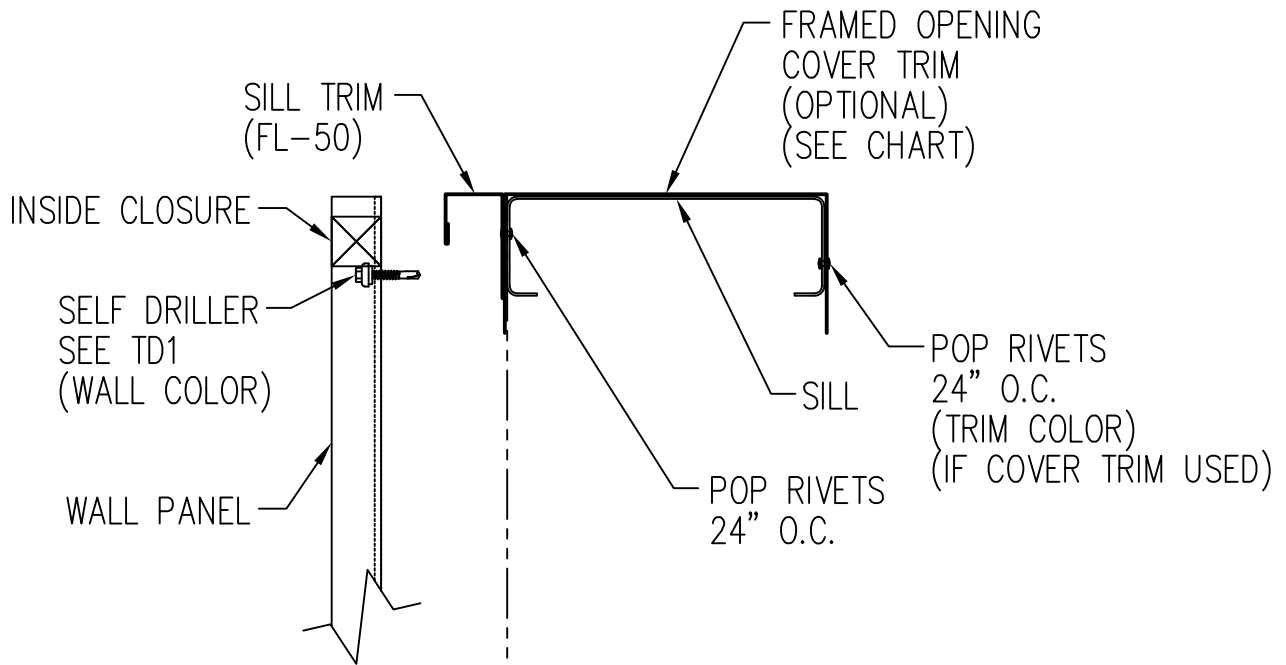
# Framed Opening Jamb Detail - PBR

DRAWING NO.

TD51



HEAD DETAIL FOR FRAMED OPENING



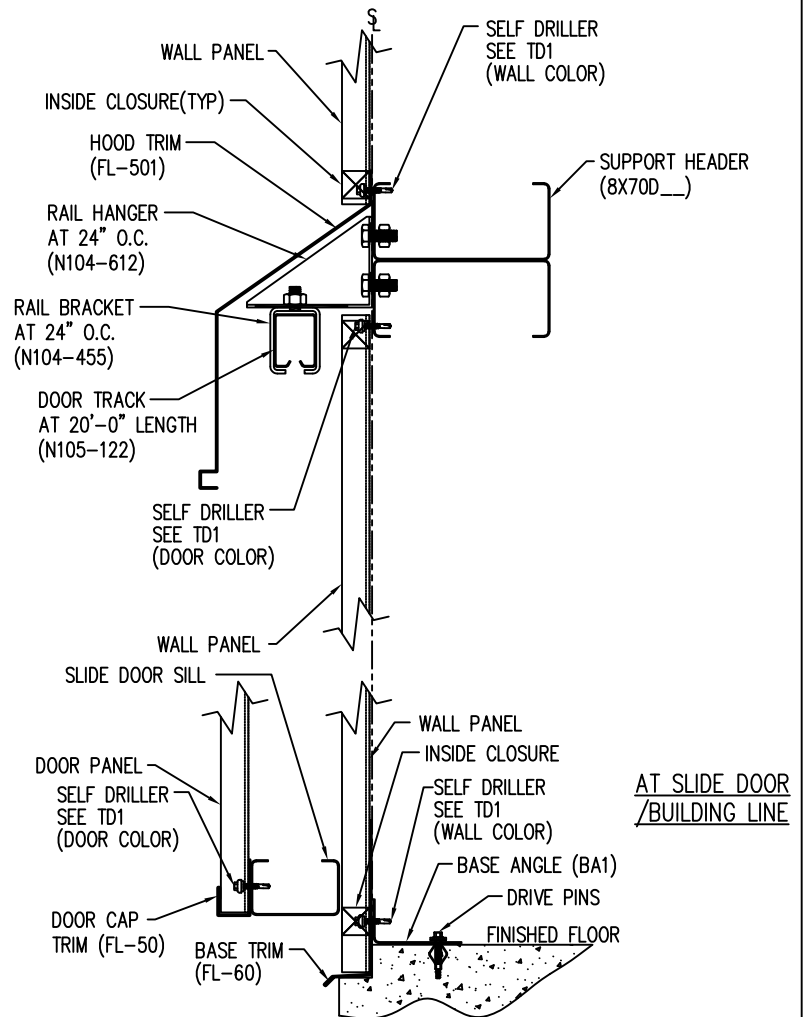
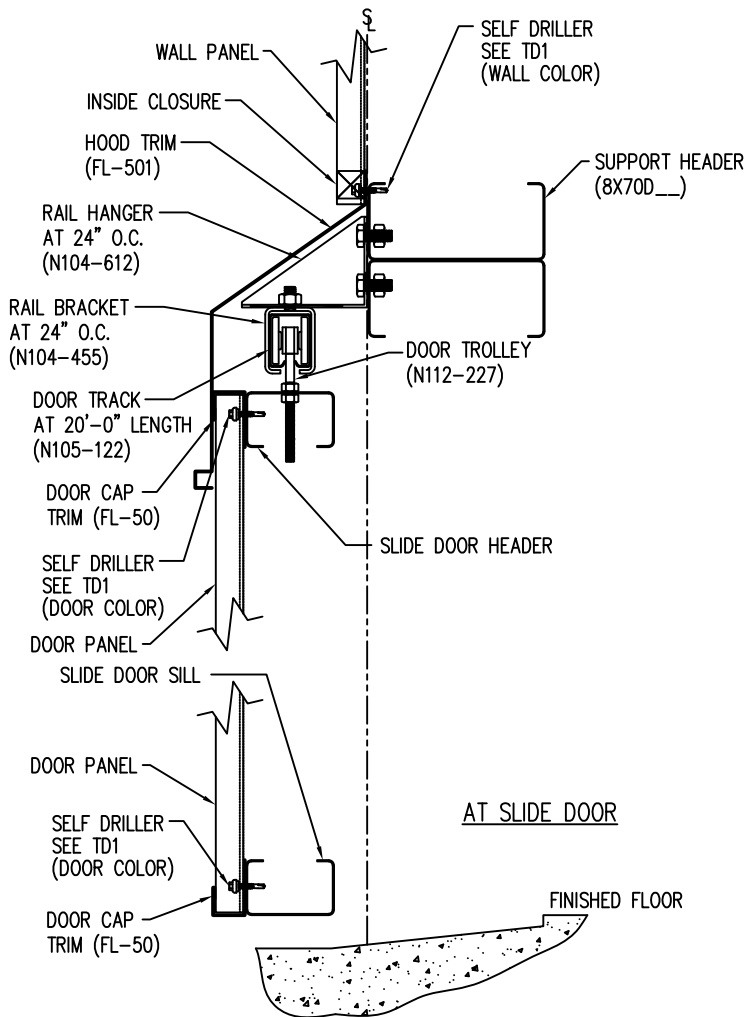
SILL DETAIL FOR FRAMED OPENING

TRIM CHART	
GIRT SIZE	PIECE MARK
8"	FL-55
10"	FL-300
12"	FL-301

Framed Opening Head and Sill Details – PBR

DRAWING NO.

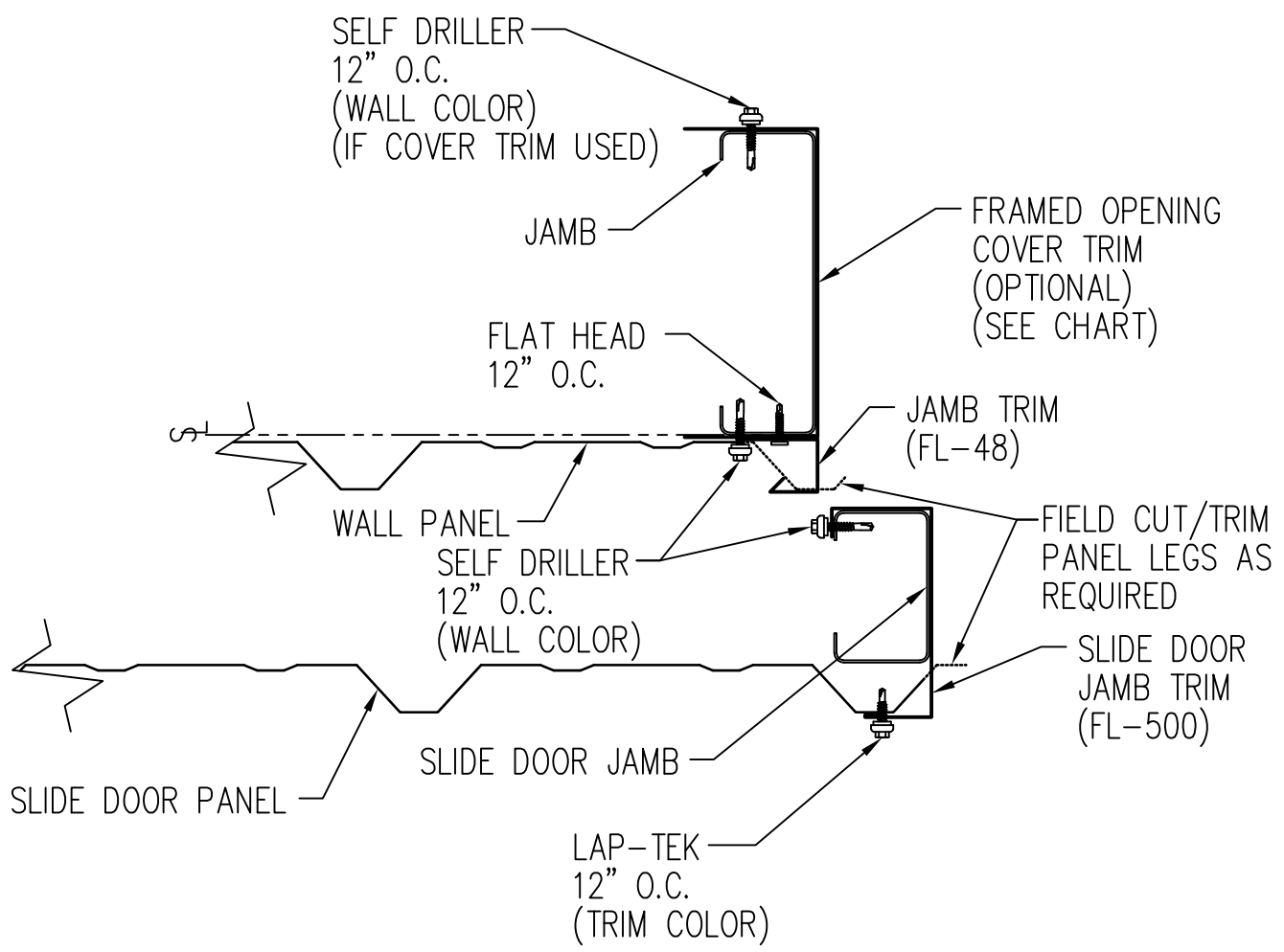
TD52



Slide Door Trim Details - PBR

DRAWING NO.

TD53

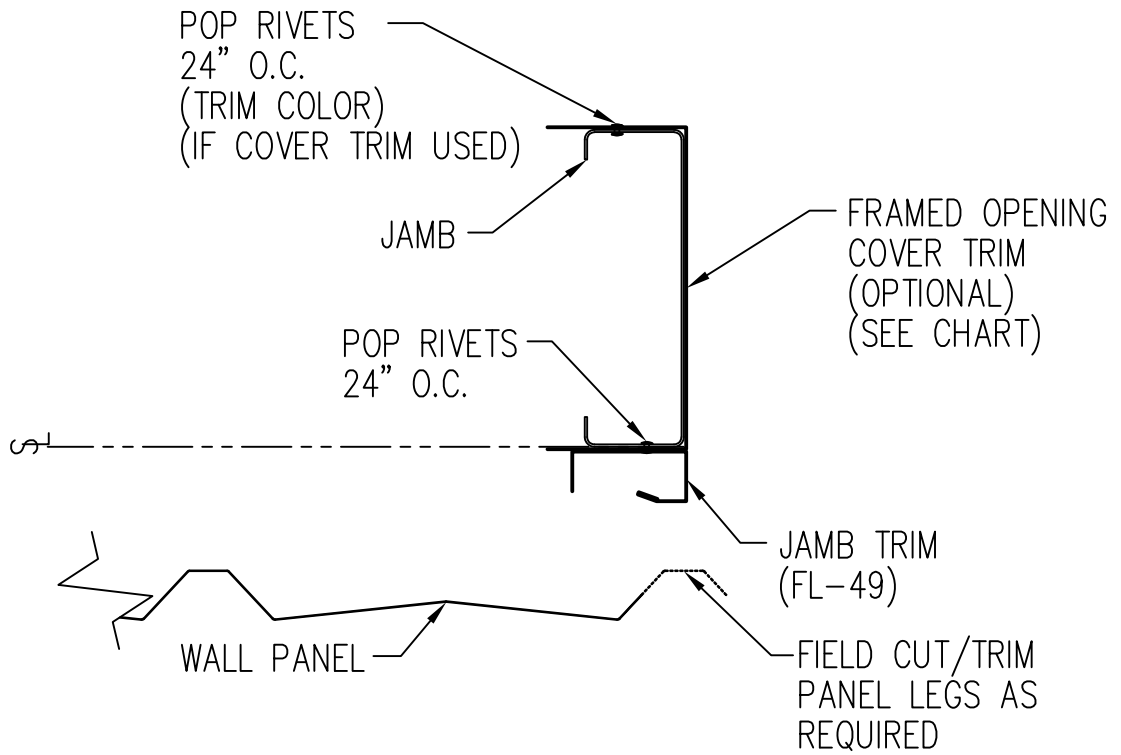


TRIM CHART	
GIRT SIZE	PIECE MARK
8"	FL-55
10"	FL-300
12"	FL-301

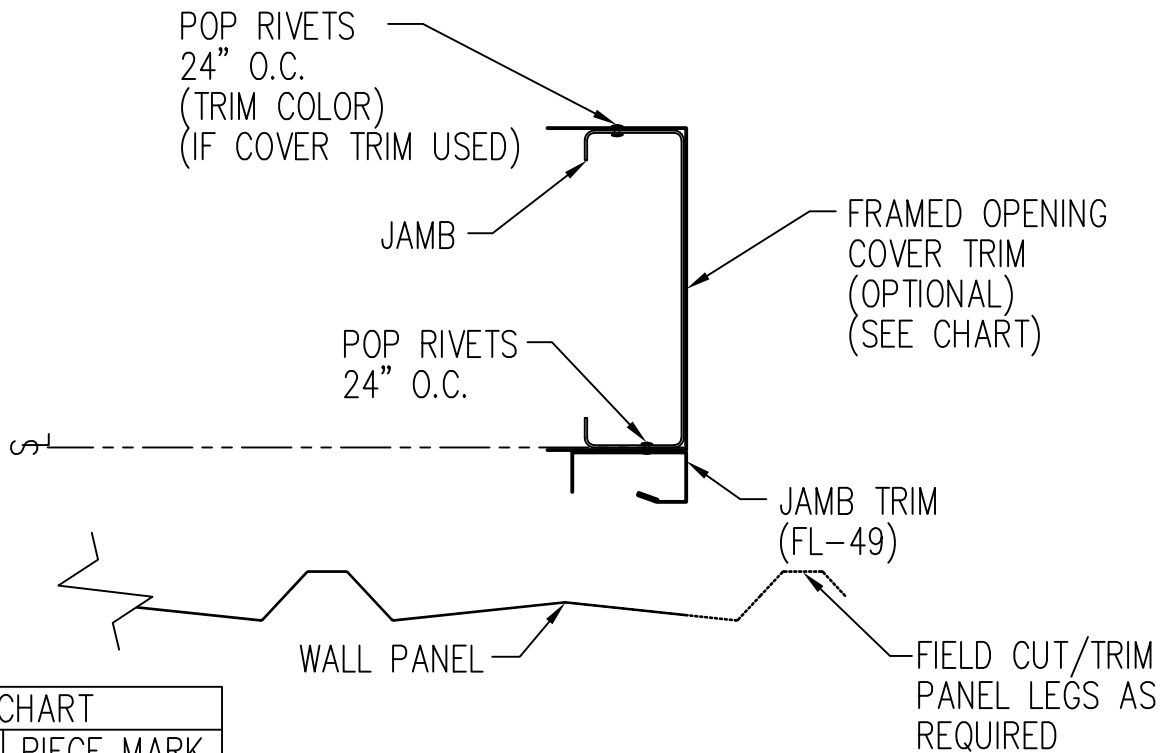
Slide Door Jamb Detail – PBR

DRAWING NO.

TD54



PANEL ENDING ON MODULE



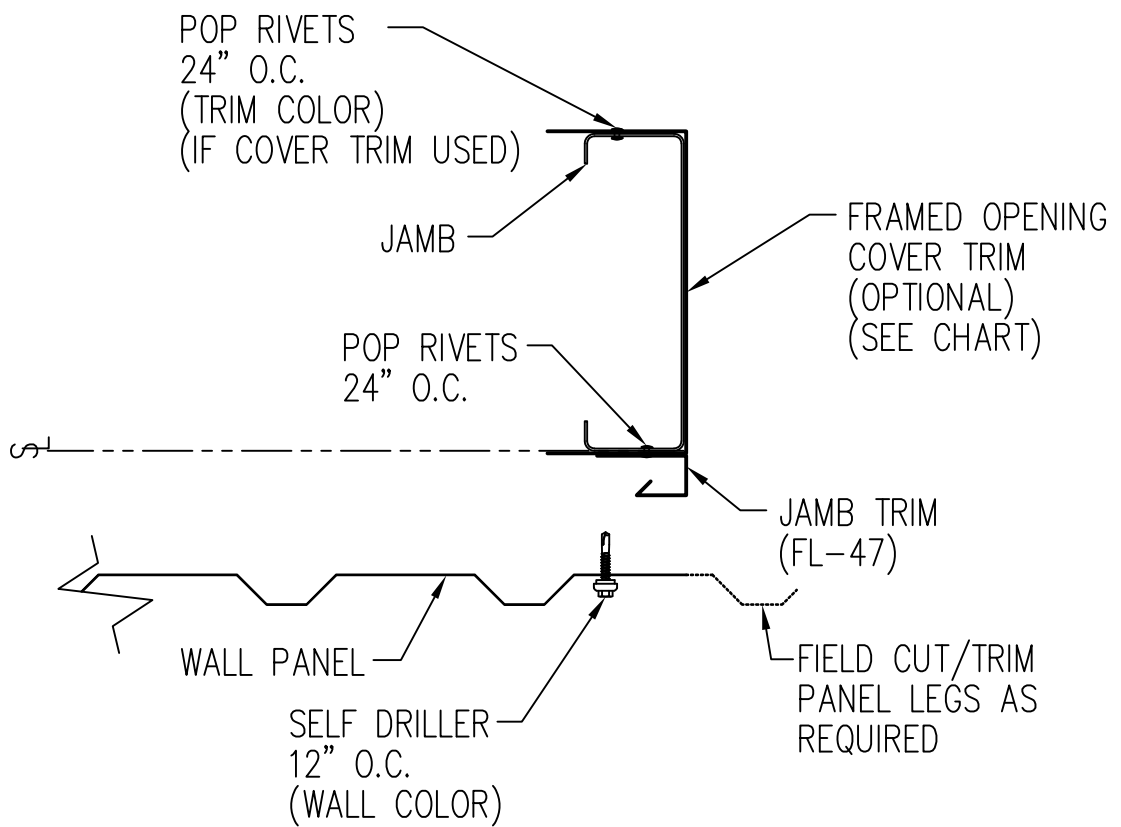
TRIM CHART	
GIRT SIZE	PIECE MARK
8"	FL-55
10"	FL-300
12"	FL-301

PANEL ENDING OFF MODULE

Framed Opening Jamb Detail - PBA

DRAWING NO.

TD55

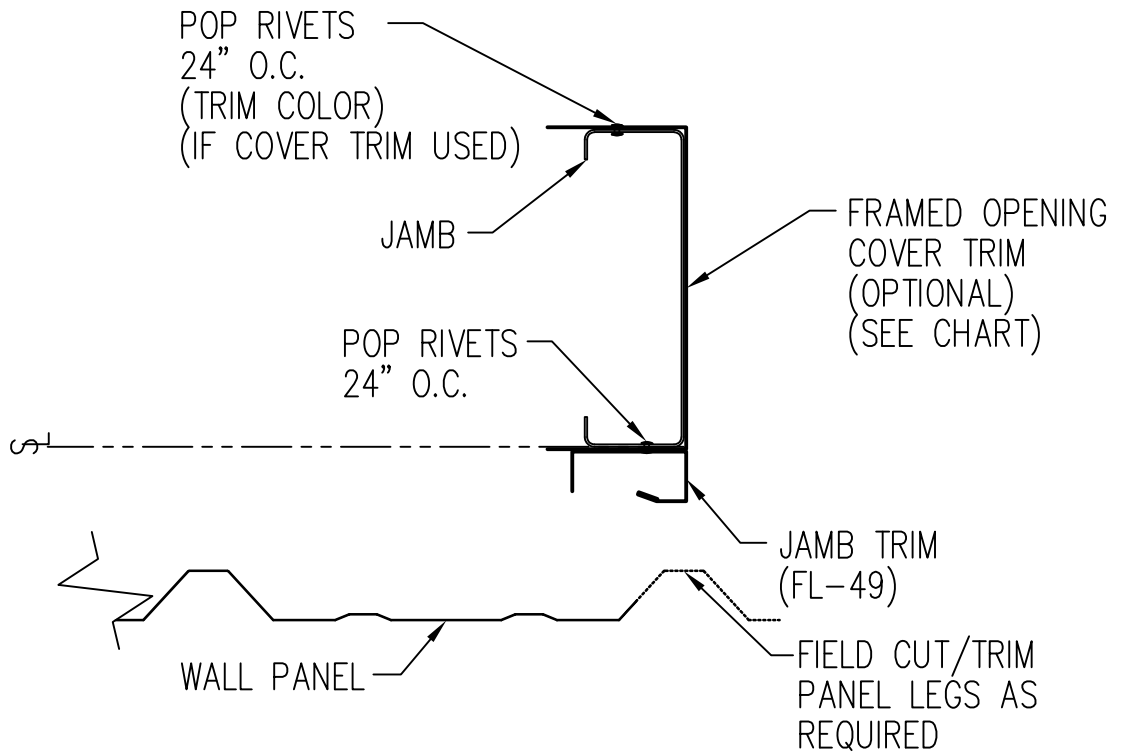


TRIM CHART	
GIRT SIZE	PIECE MARK
8"	FL-55
10"	FL-300
12"	FL-301

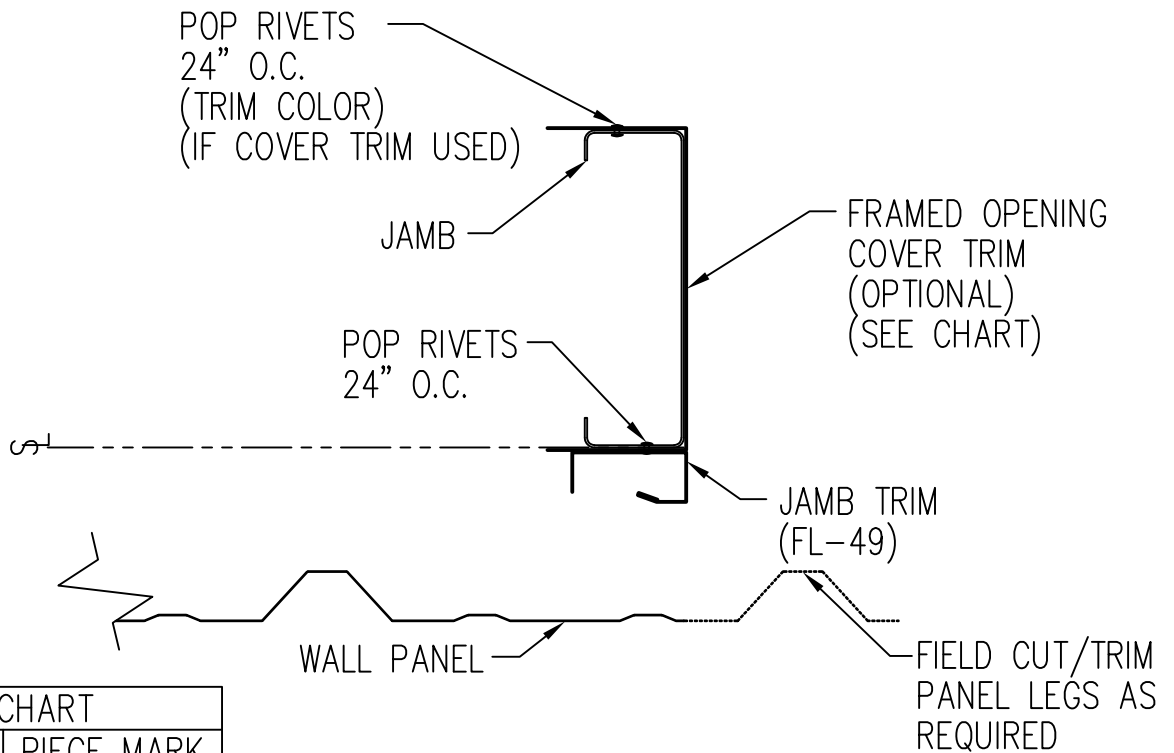
## Framed Opening Jamb Detail - PBU

DRAWING NO.

TD56



PANEL ENDING ON MODULE



TRIM CHART	
GIRT SIZE	PIECE MARK
8"	FL-55
10"	FL-300
12"	FL-301

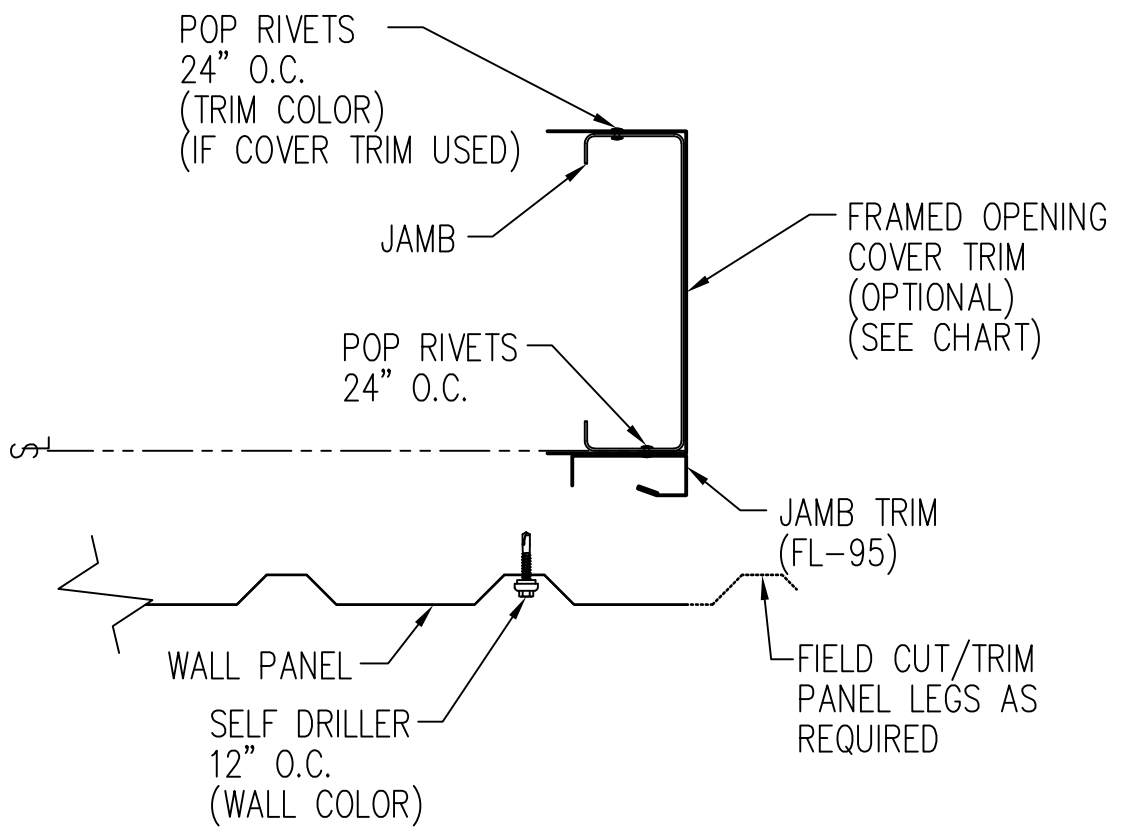
PANEL ENDING OFF MODULE

Framed Opening Jamb Detail - RPBR

DRAWING NO.

TD57





TRIM CHART	
GIRT SIZE	PIECE MARK
8"	FL-55
10"	FL-300
12"	FL-301

# Framed Opening Jamb Detail - RPBU

DRAWING NO.

TD58