

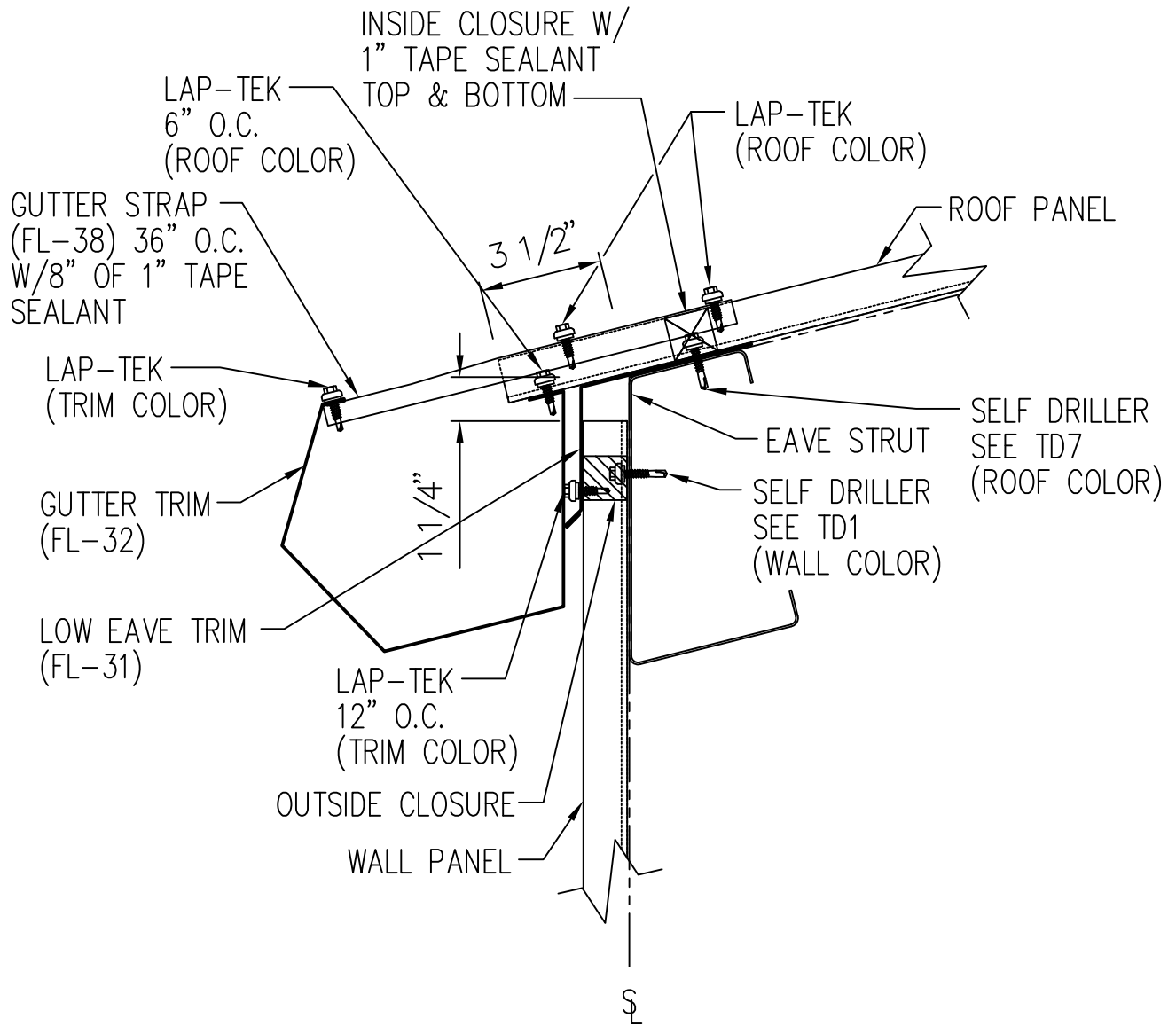
TRIM CHART	
PURLIN SIZE	PIECE MARK
8"	FL-80
10"	FL-500
12"	FL-500

Low Eave Gutter Detail – PBR

Sculptured Gutter – Open Wall – No Soffit

DRAWING NO.

TD14

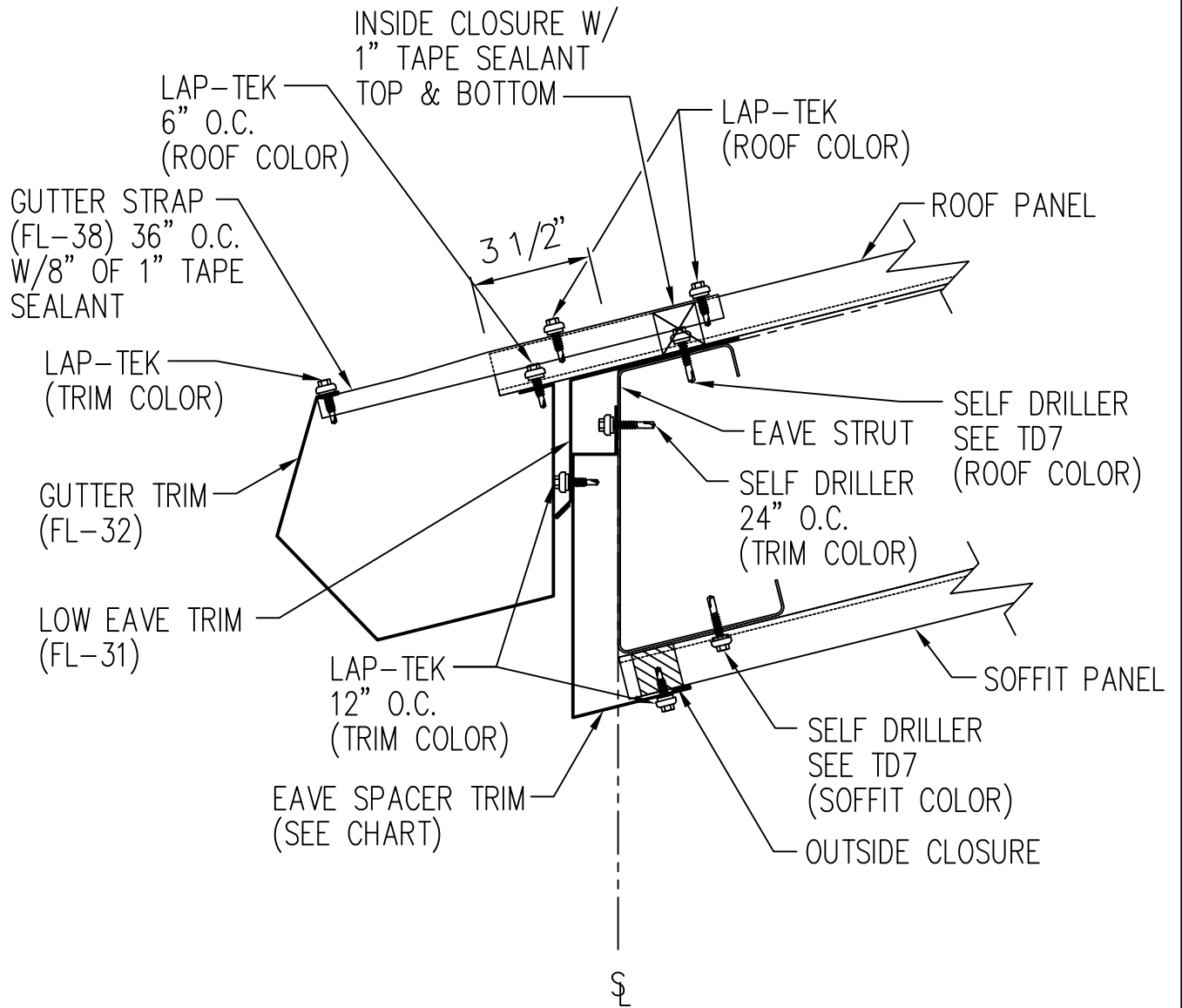


Low Eave Gutter Detail – PBR

Sculptured Gutter – Sheeted Wall

DRAWING NO.

TD15



TRIM CHART	
PURLIN SIZE	PIECE MARK
8"	FL-500
10"	FL-500
12"	FL-500

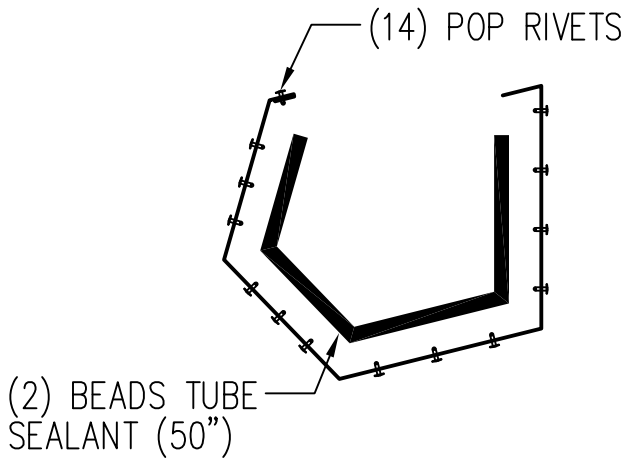
Low Eave Gutter Detail – PBR

Sculptured Gutter – Open Wall – With Soffit

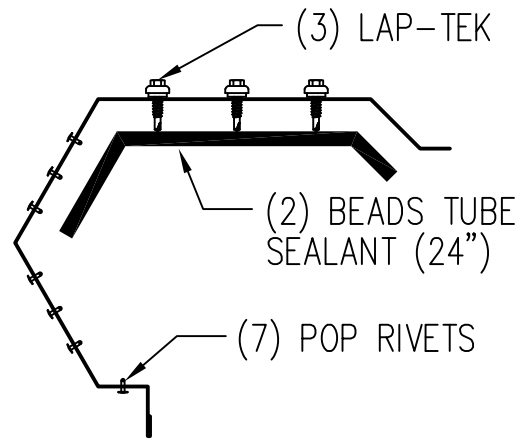
DRAWING NO.

TD26

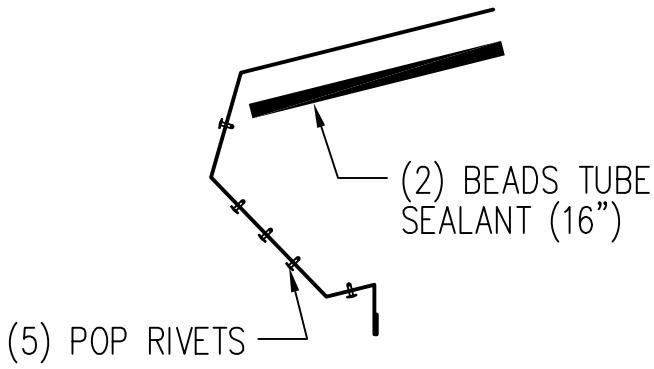
EAVE GUTTER



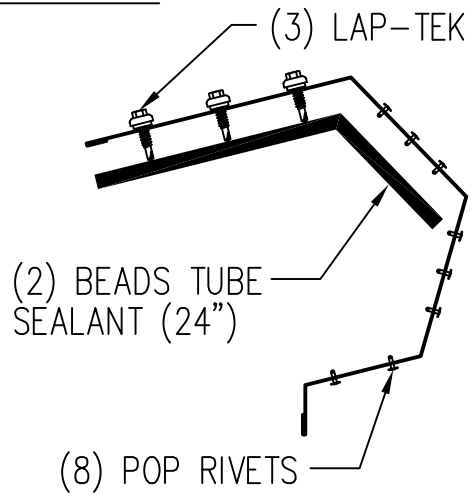
RAKE TRIM



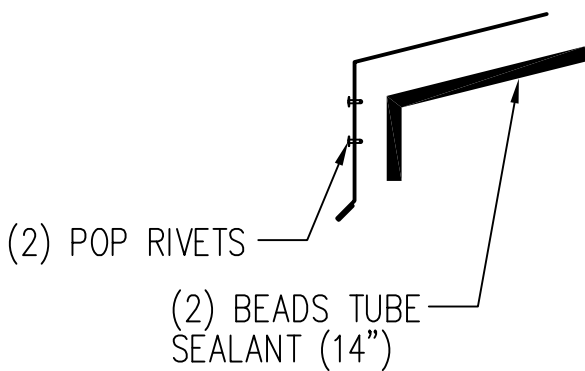
LOW EAVE TRIM



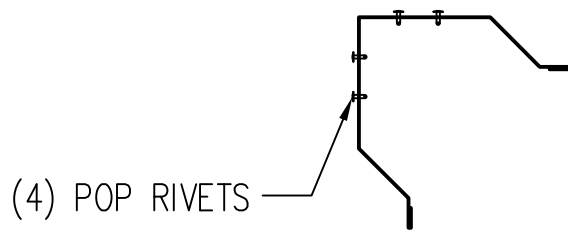
HIGH EAVE TRIM



LOW EAVE TRIM



CORNER TRIM

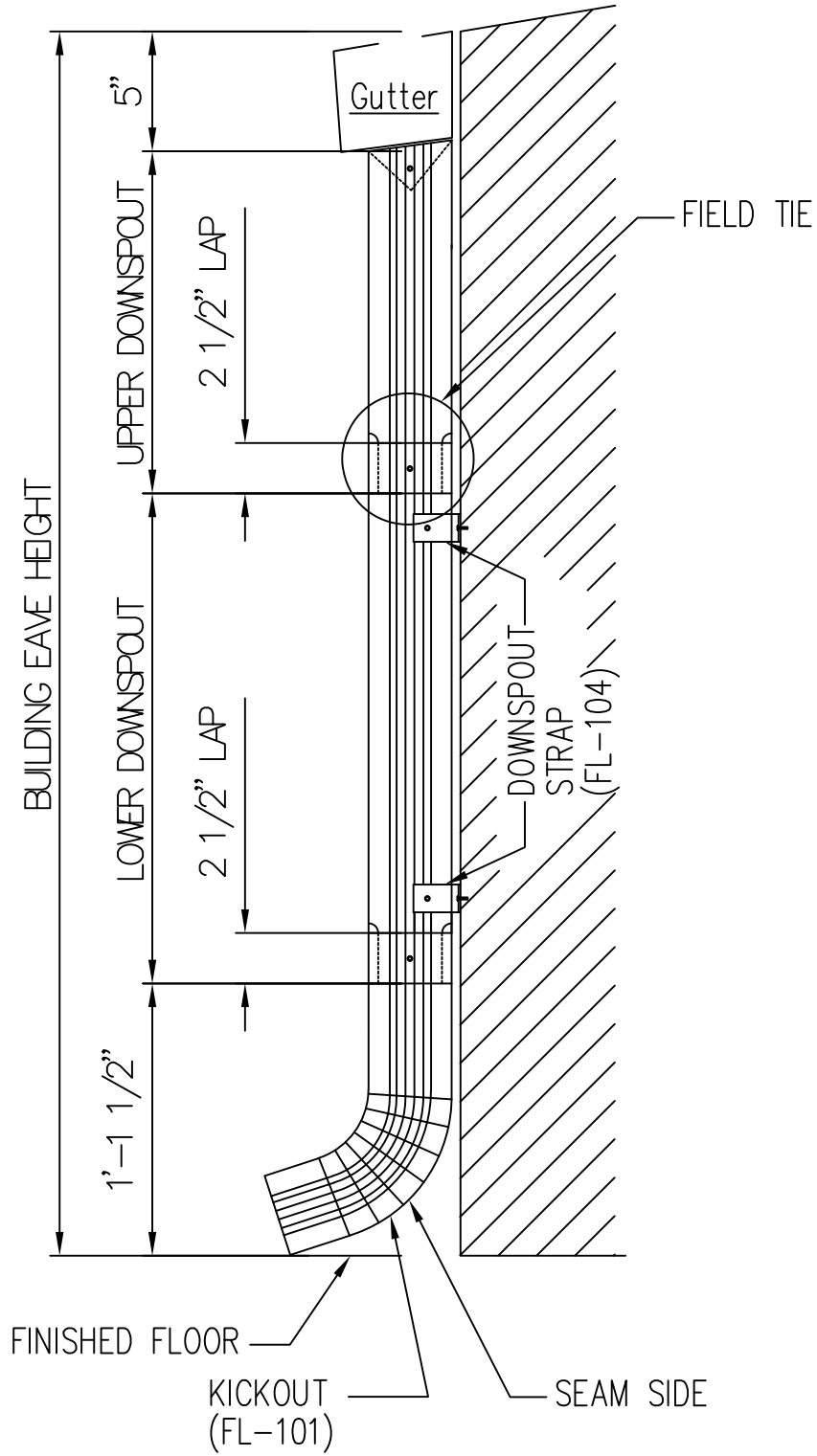


NOTE: TRIM PROFILES MAY VARY; 2" MIN. LAP UNLESS NOTED
NOTE: TUBE SEALANT (NOT BY G.A.B.)

Trim Laps - PBR Sculptured

DRAWING NO.

TD85



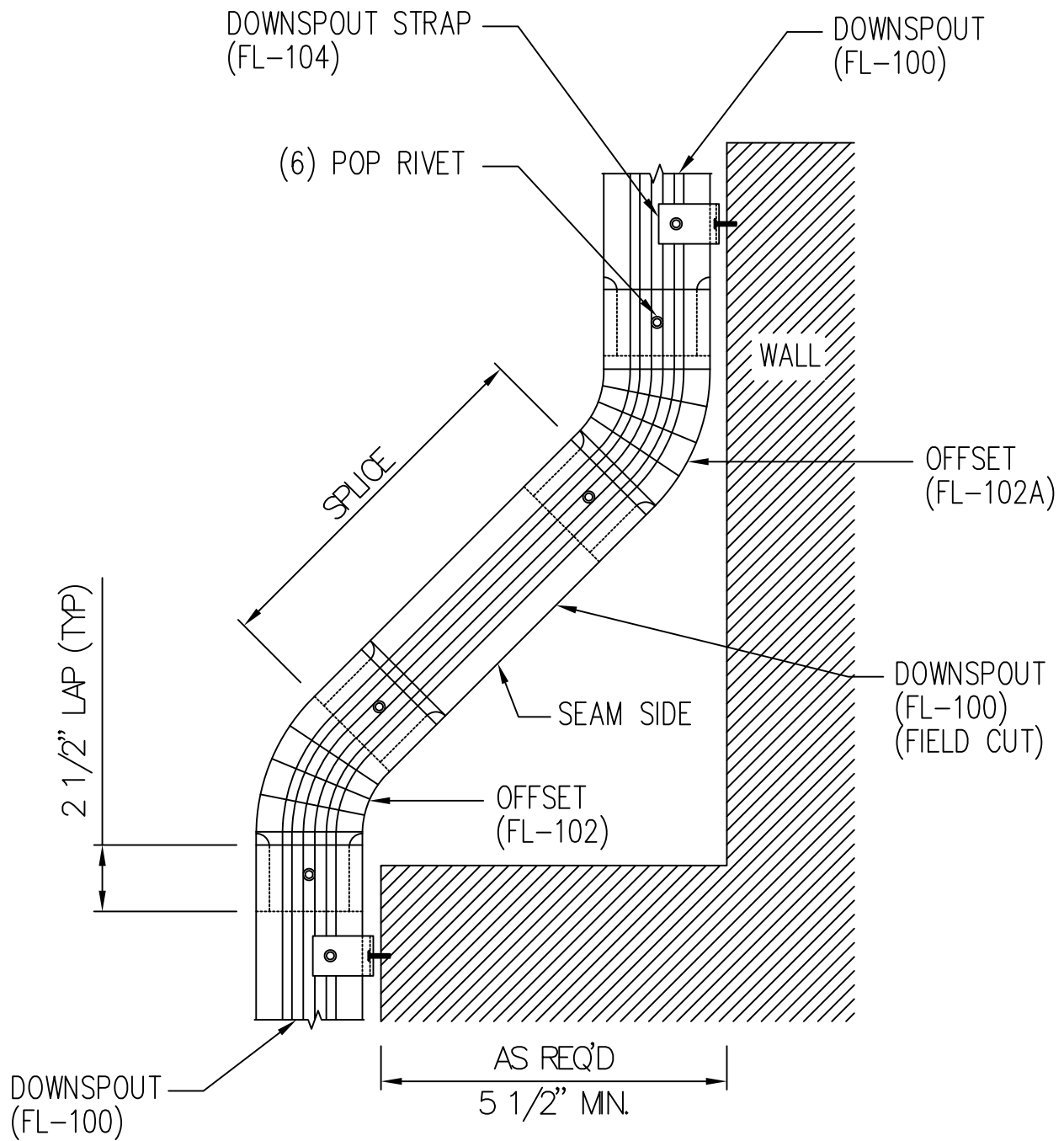
NOTE: REFERENCE DETAIL TD96 FOR SPLICE DETAIL

Downspout Elevation

3 1/2" x 5 3/8" Roll-Form

DRAWING NO.

TD90



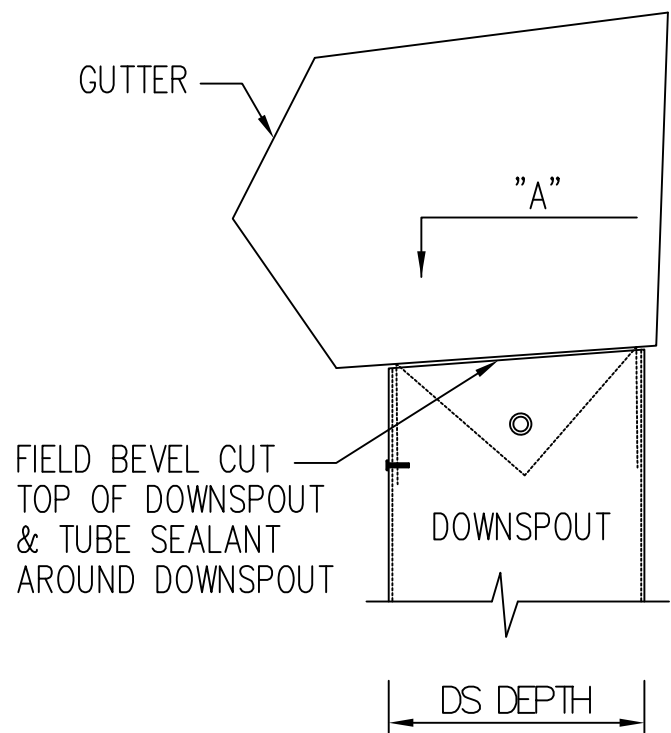
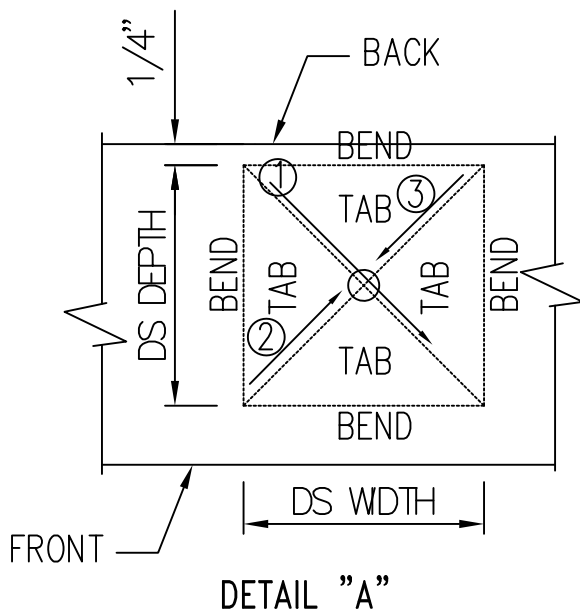
NOTE: REFERENCE DETAIL TD96 FOR SPLICE DETAIL

Downspout Wall Offset

3 1/2" x 5 3/8" Roll-Form

DRAWING NO.

TD91

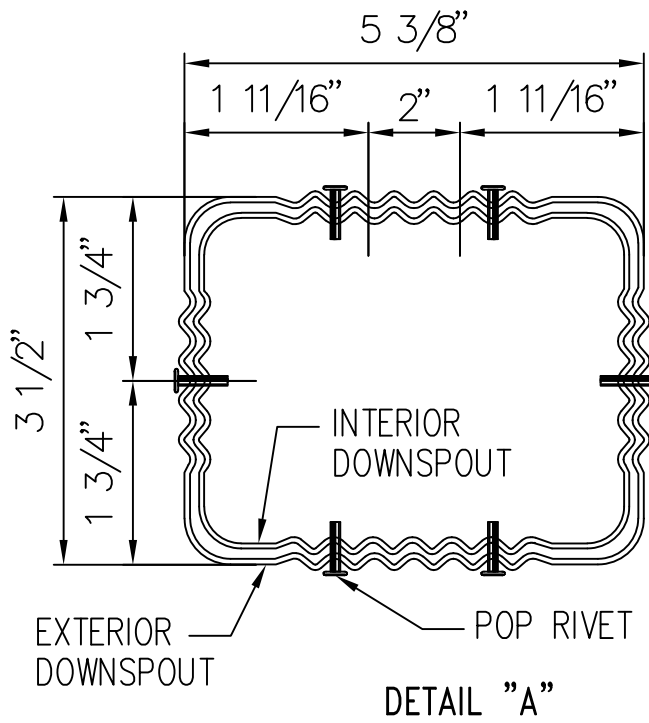


- STEP 1 REFER TO THE BUILDING ERECTIO DRAWINGS FOR THE LOCATION AN SPACING OF THE DOWNSPOUTS.
- STEP 2 LOCATE ALL DOWNSPOUTS OVER A MAJOR PANEL RIB IF POSSIBLE.
- STEP 3 MAKE A CARBOARD TEMPLATE OF THE DOWNSPOUT SHAPE. PLACE THE TEMPLATE ON THE BOTTOM OF THE GUTTER AND TRACE THE OUTLINE. REMOVE THE TEMPLATE AND DRAW A LINE FROM CORNER TO CORNER, FORMING AN "X" PATTERN.
- STEP 4 DRILL A HOLE AT THE CENTER OF THE "X". USING TIN SNIPS, CUT ALONG THE LINES OF THE "X" ONLY. DO NOT CUT ALONG THE OUTSIDE LINES OF THE DOWNSPOUT SQUARE.
- STEP 5 BEND EACH TRIANGULAR TAB DOWN TOWARD THE GROUND, 90° TO THE BOTTOM OF THE GUTTER.
- STEP 6 POSITION THE TOP OF THE DOWNSPOUT UNDER THE GUTTER. MAKE SURE ALL FOUR GUTTER TABS ARE ON THE INSIDE OF THE DOWNSPOUT.
- STEP 7 INSTALL POP RIVETS THROUGH THE DOWNSPOUT INTO THE GUTTER TAB. ONLY THE TWO SIDES AND THE FRONT OF THE DOWNSPOUT WILL RECEIVE POP RIVETS.

Downspout to Gutter Attachment Detail

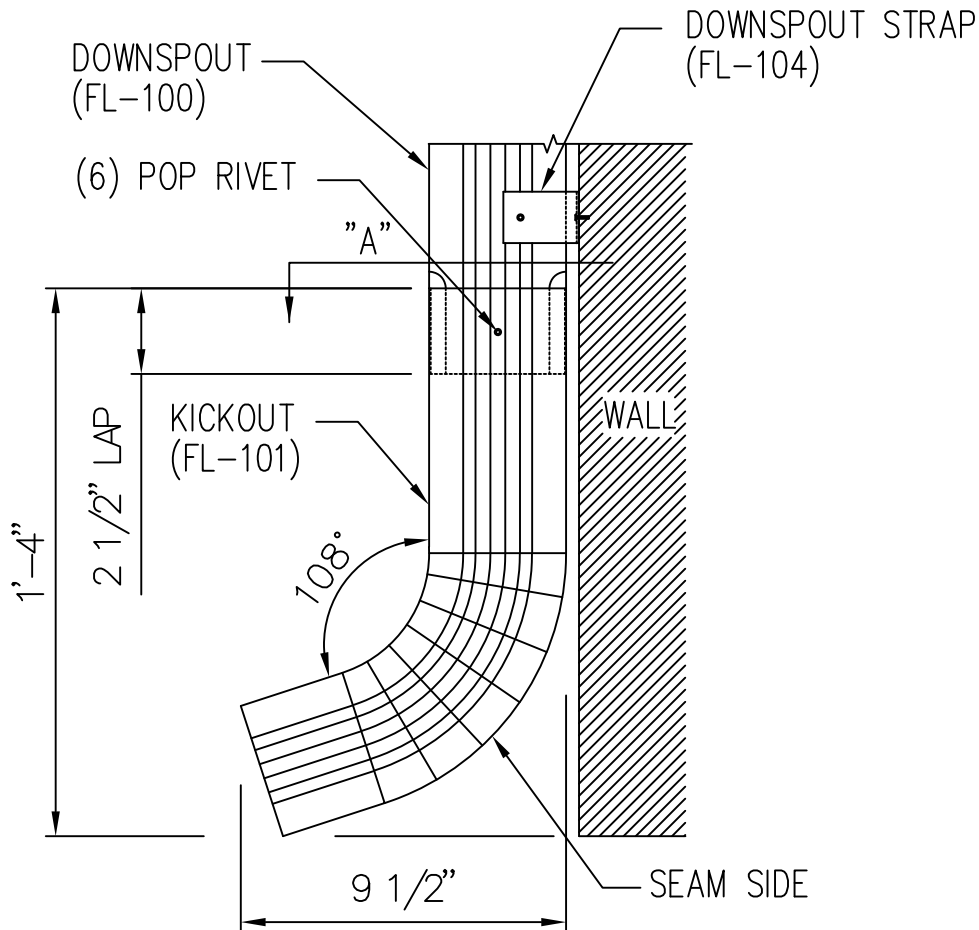
DRAWING NO.

TD95



ALWAYS MEASURE THE REQUIRED LENGTH STARTING AT THE SWAGED END. AFTER CUTTING TO LENGTH, INSERT THE SWAGED END OF THE CUT DOWNSPOUT INTO THE TOP OF THE LOWER DOWNSPOUT. SECURE WITH (6) POP RIVETS AND TUBE SEALANT.

DETAIL "A"



DOWNSPOUT KICKOUT DETAIL

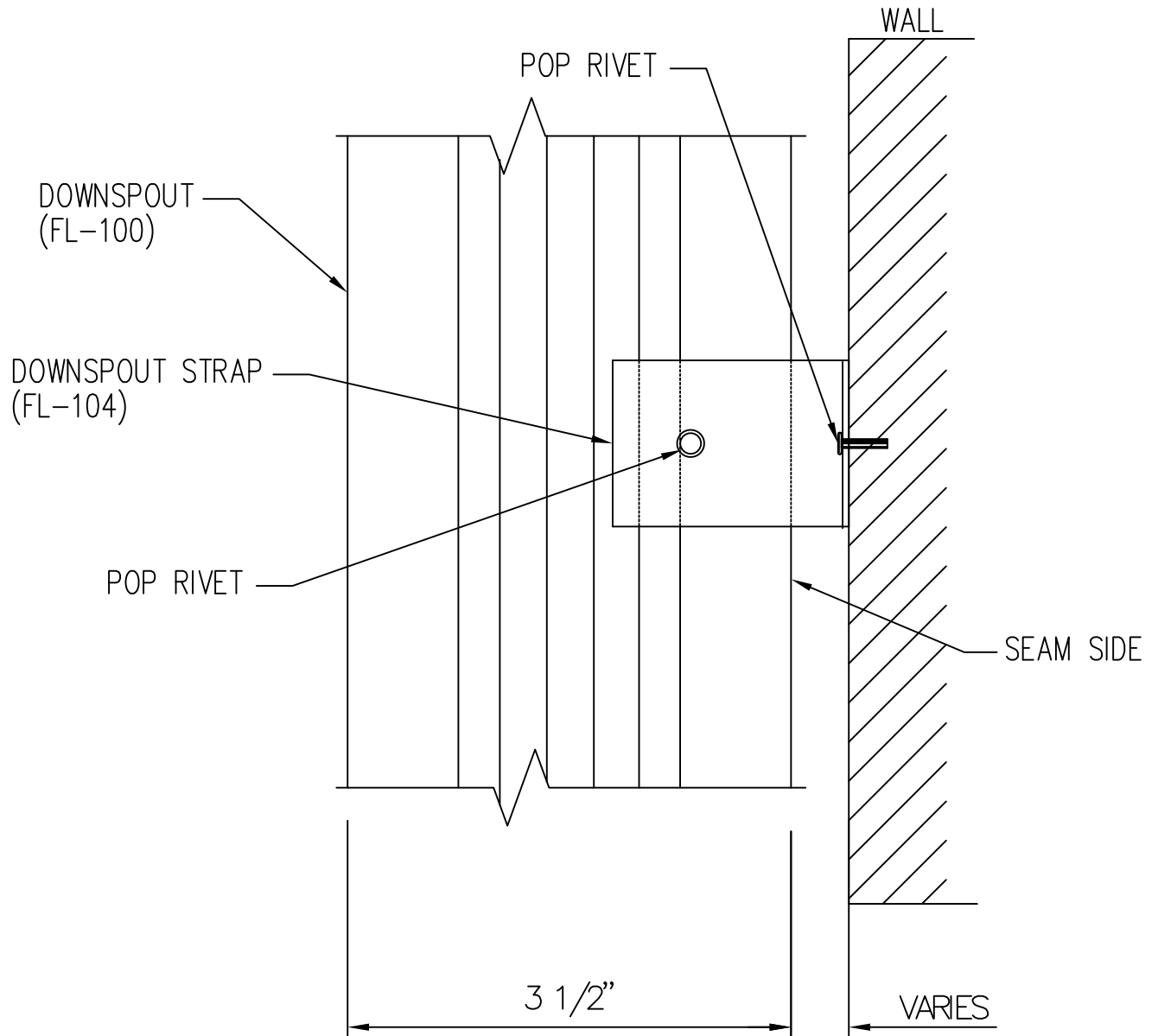
NOTE: TUBE SEALANT (NOT BY G.A.B.)

Downspout Kickout and Splice Detail

3 1/2" x 5 3/8" Roll-Form

DRAWING NO.

TD96



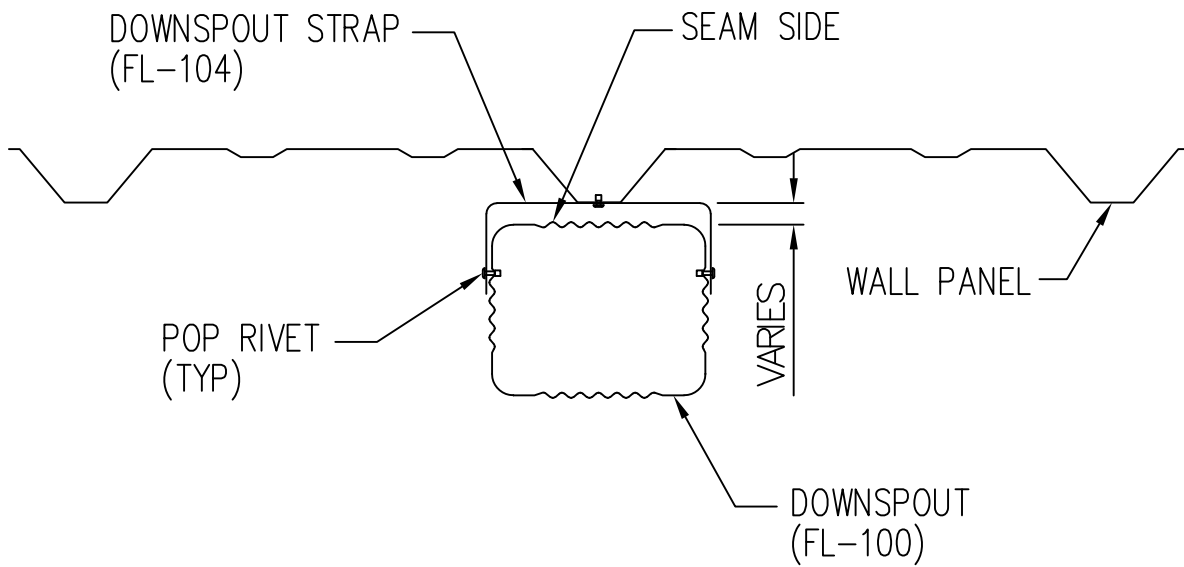
Downspout Strap Attachment Detail

3 1/2" x 5 3/8" Roll-Form

DRAWING NO.

TD97

D.S. Strap Quantity	
Eave Height	Quantity
10'-0"	2
12'-0"	3
14'-0"	3
16'-0"	4
20'-0"	4
25'-0"	5

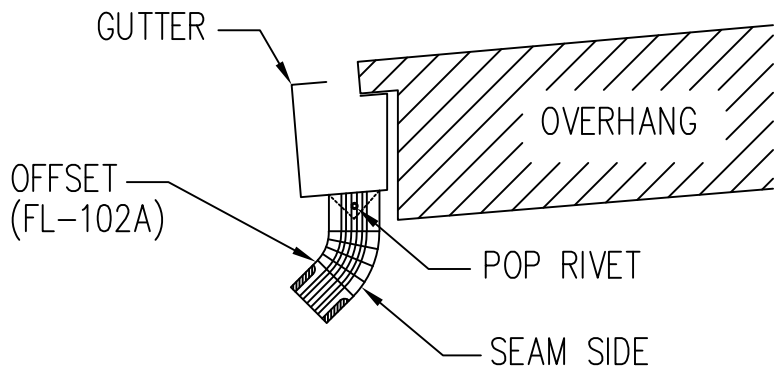
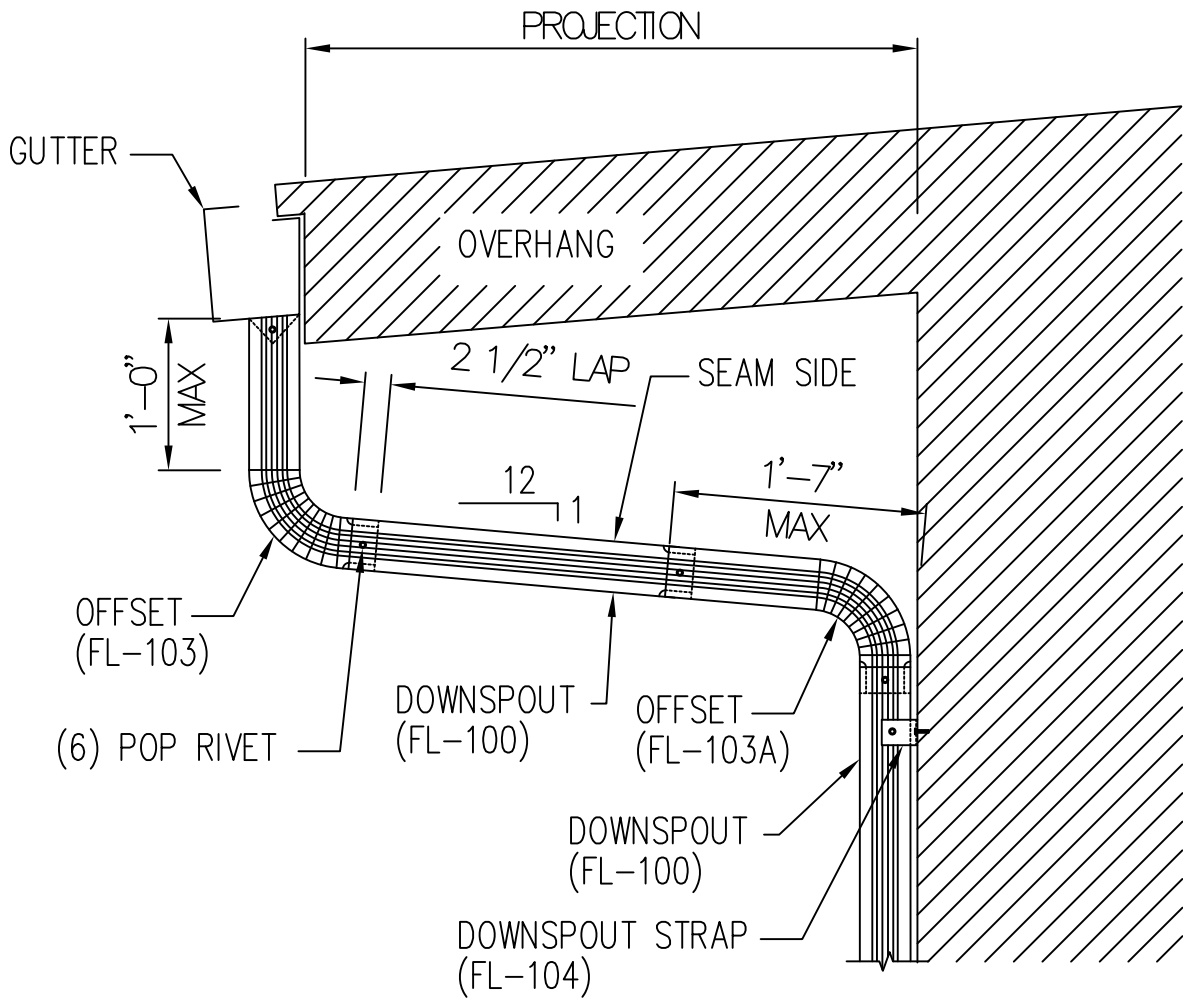


Downspout Strap Attachment Detail – PBR

3 1/2" x 5 3/8" Roll-Form

DRAWING NO.

TD98

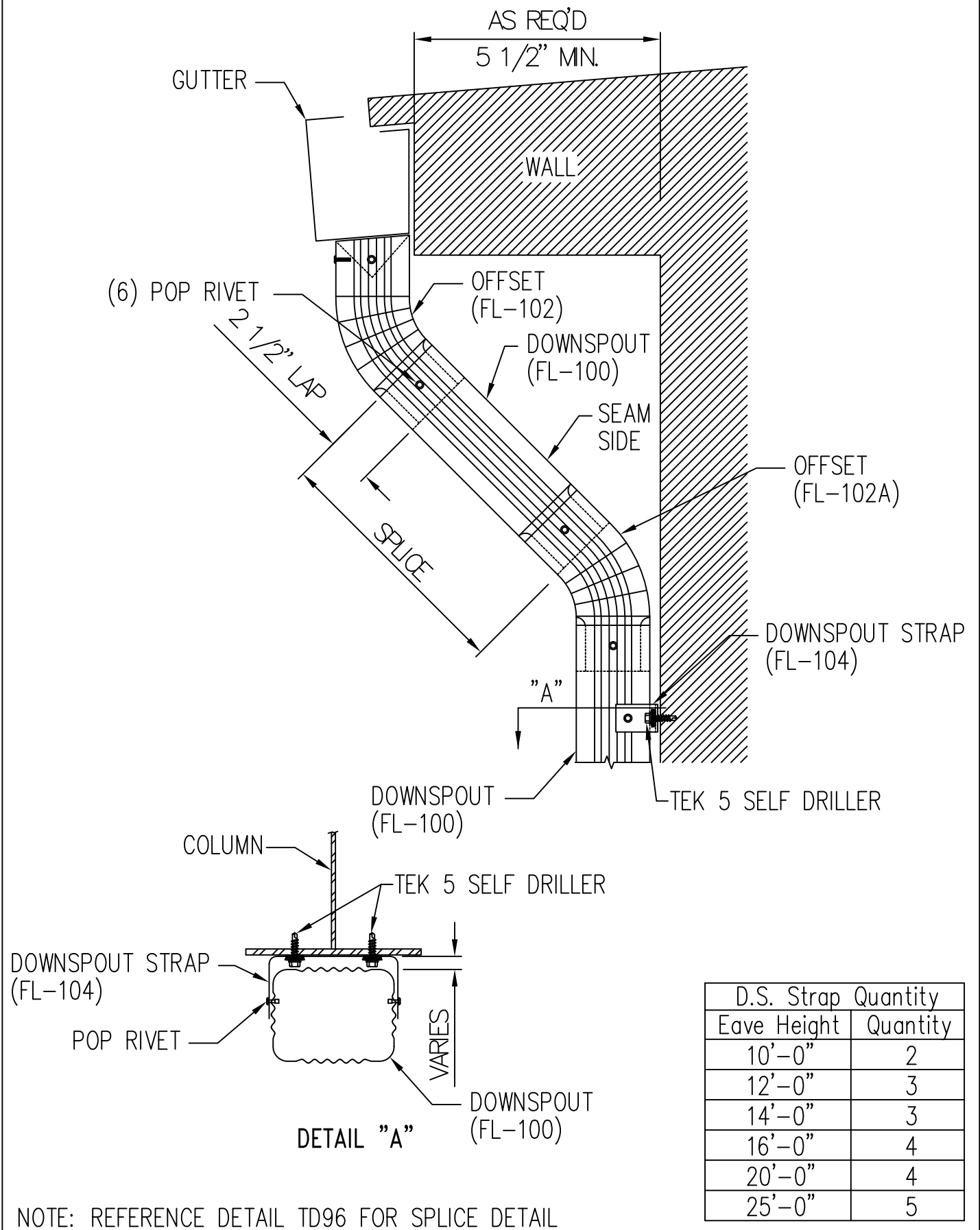


NOTE: REFERENCE DETAIL TD96 FOR SPLICE DETAIL

Eave Canopy Downspout Detail

DRAWING NO.

TD99

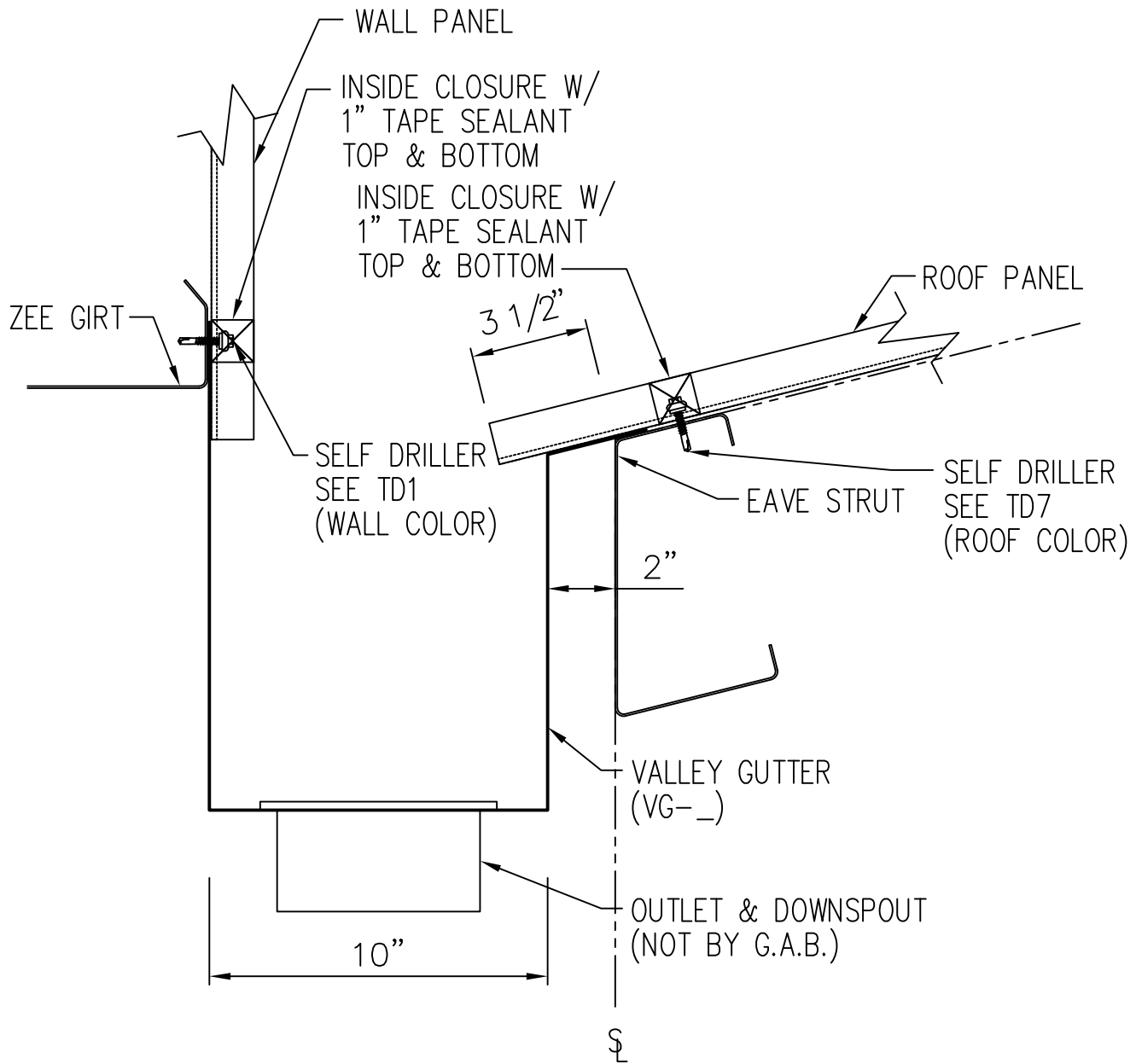


Full Height Open Wall

3 1/2" x 5 3/8" Roll-Form

DRAWING NO.

TD100

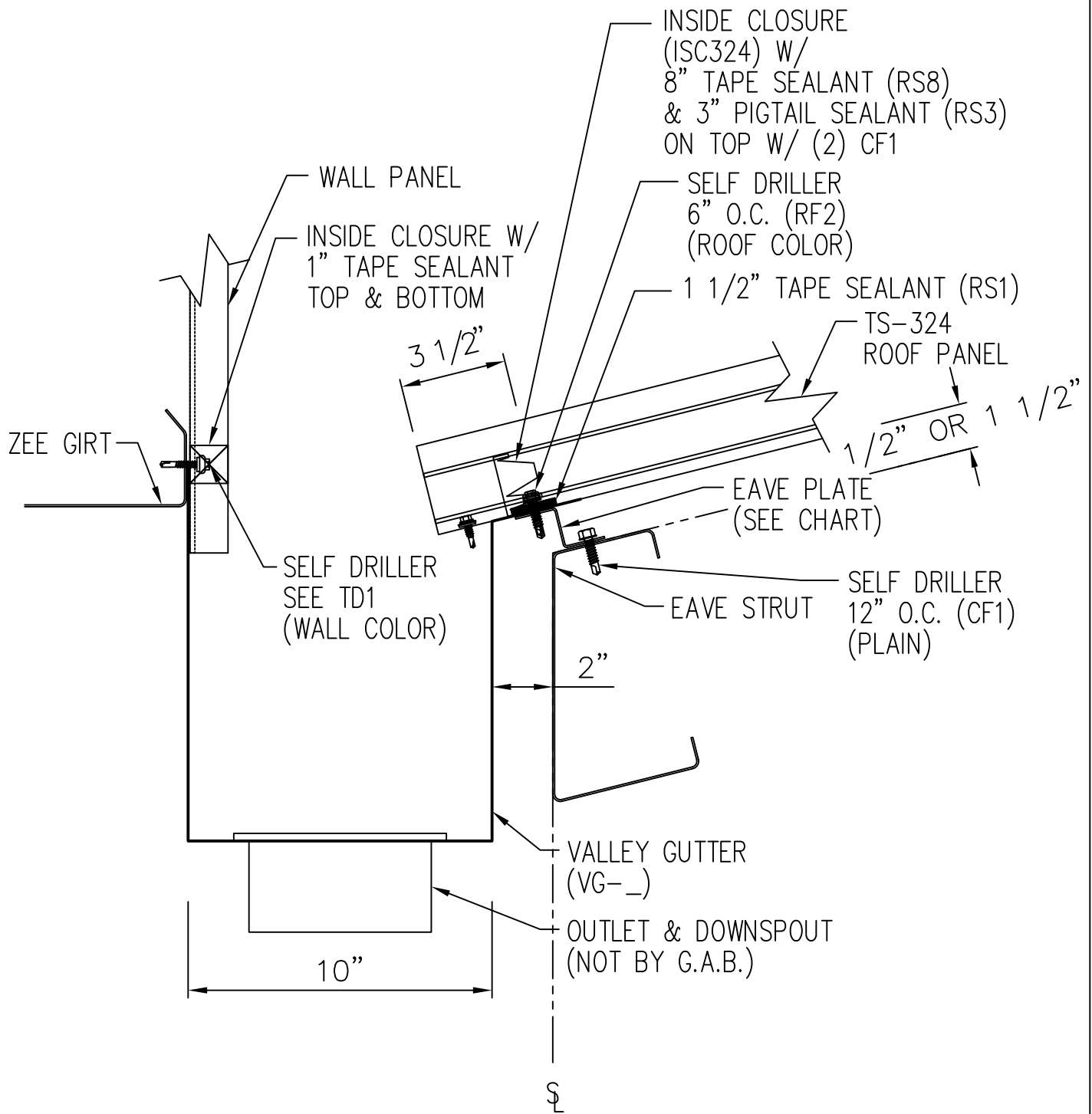


NOTE: FIELD LINE W/ WATERPROOFING MATERIALS (NOT BY G.A.B.)
 NOTE: INSTALL WATERPROOFING MATERIALS BEFORE ROOF PANEL INSTALLATION.

Parapet Gutter Detail - PBR

DRAWING NO.

TD281



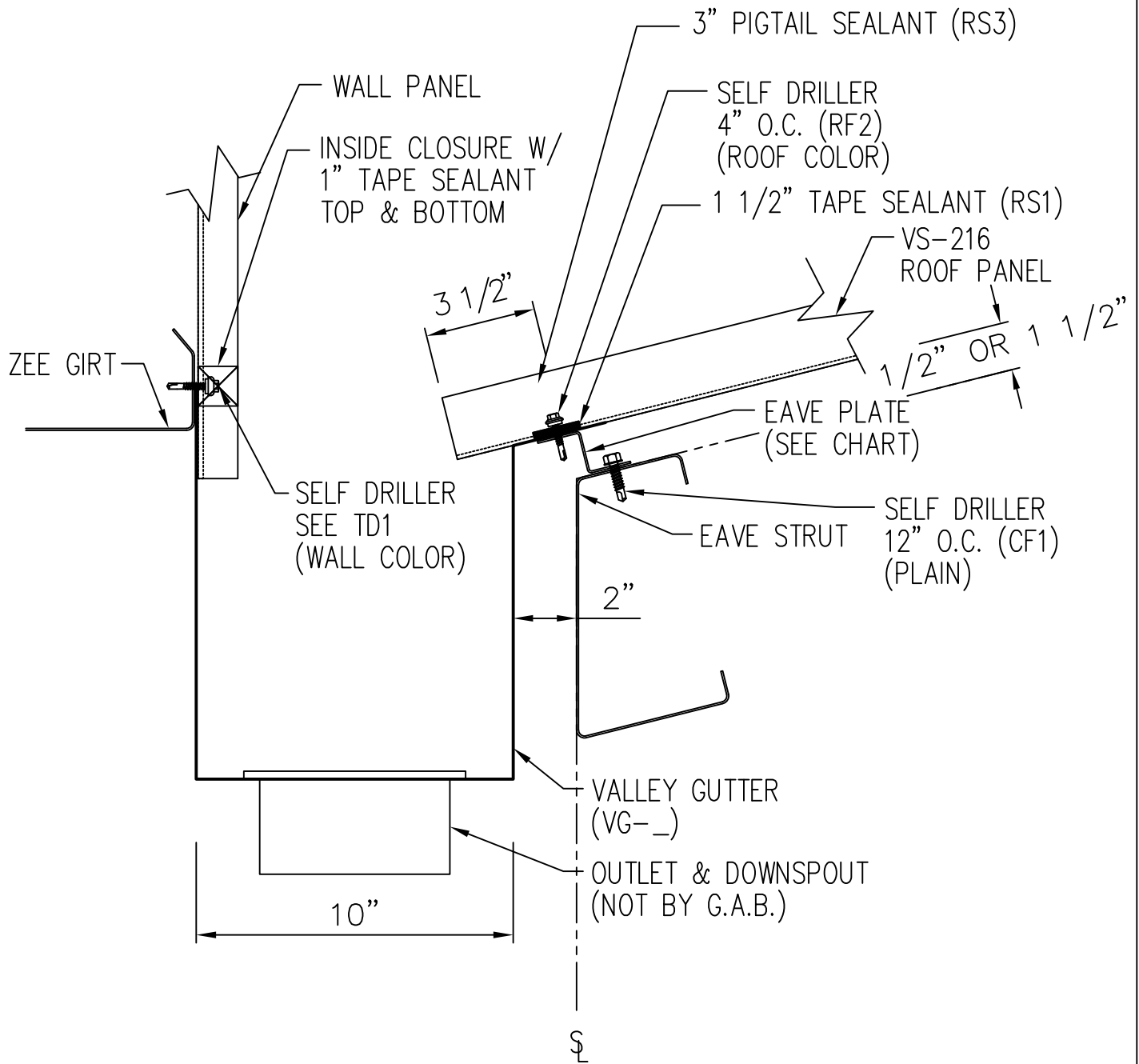
EAVE PLATE CHART	
STANDOFF	PIECE MARK
3/8"	EP038
1 3/8"	EP138

NOTE: FIELD LINE W/ WATERPROOFING MATERIALS (NOT BY G.A.B.)
 NOTE: INSTALL WATERPROOFING MATERIALS BEFORE ROOF PANEL INSTALLATION.

Parapet Gutter Detail – TS-324

DRAWING NO.

TD282



EAVE PLATE CHART	
STANDOFF	PIECE MARK
3/8"	EP038
1 3/8"	EP138

NOTE: FIELD LINE W/ WATERPROOFING MATERIALS (NOT BY G.A.B.)
 NOTE: INSTALL WATERPROOFING MATERIALS BEFORE ROOF PANEL INSTALLATION.

Parapet Gutter Detail - VS-216

DRAWING NO.

TD283