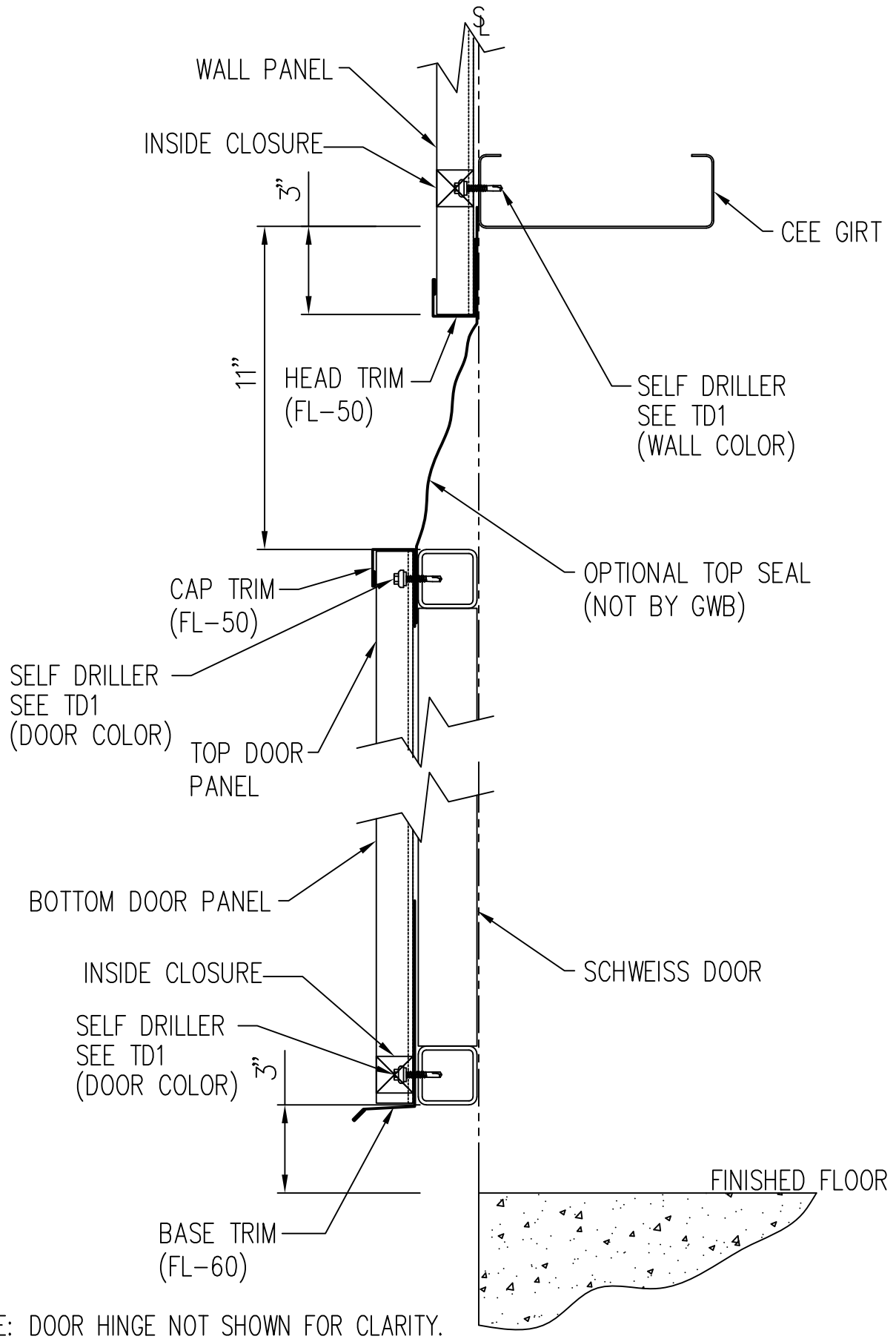


NOTE: USE POWER DRIVEN FASTENERS SUCH AS RAMSET (OR EQUAL). 0.140 ϕ STRAIGHT SHANK W 1 1/4" PENETRATION AND MIN. ALLOWABLE SHEAR OF 220# (2'-0" O.C.)(NOT BY GWB)

Panel Termination at Stem Wall

DRAWING NO.

TD36

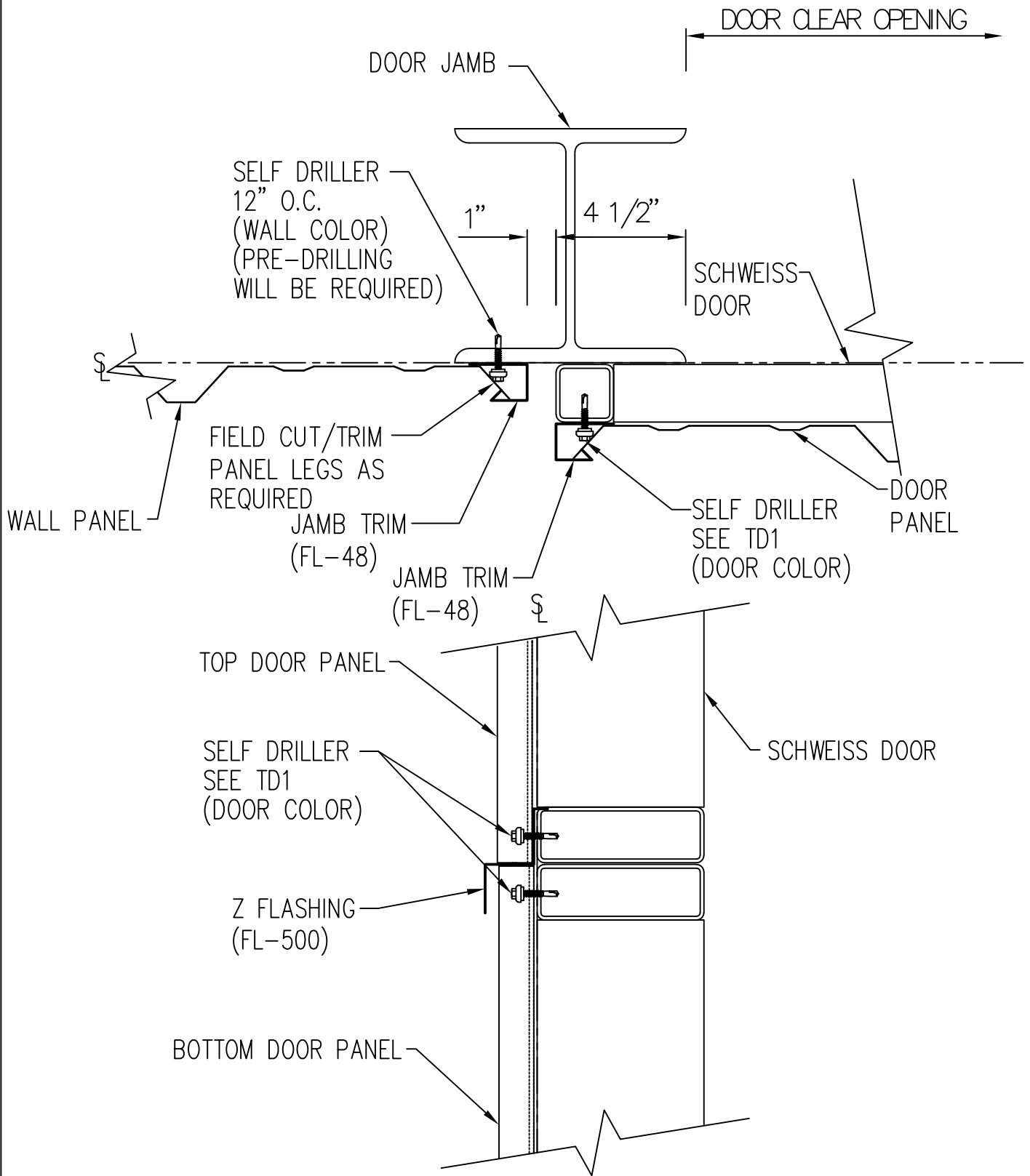


NOTE: DOOR HINGE NOT SHOWN FOR CLARITY.

Schweiss Door Detail

DRAWING NO.

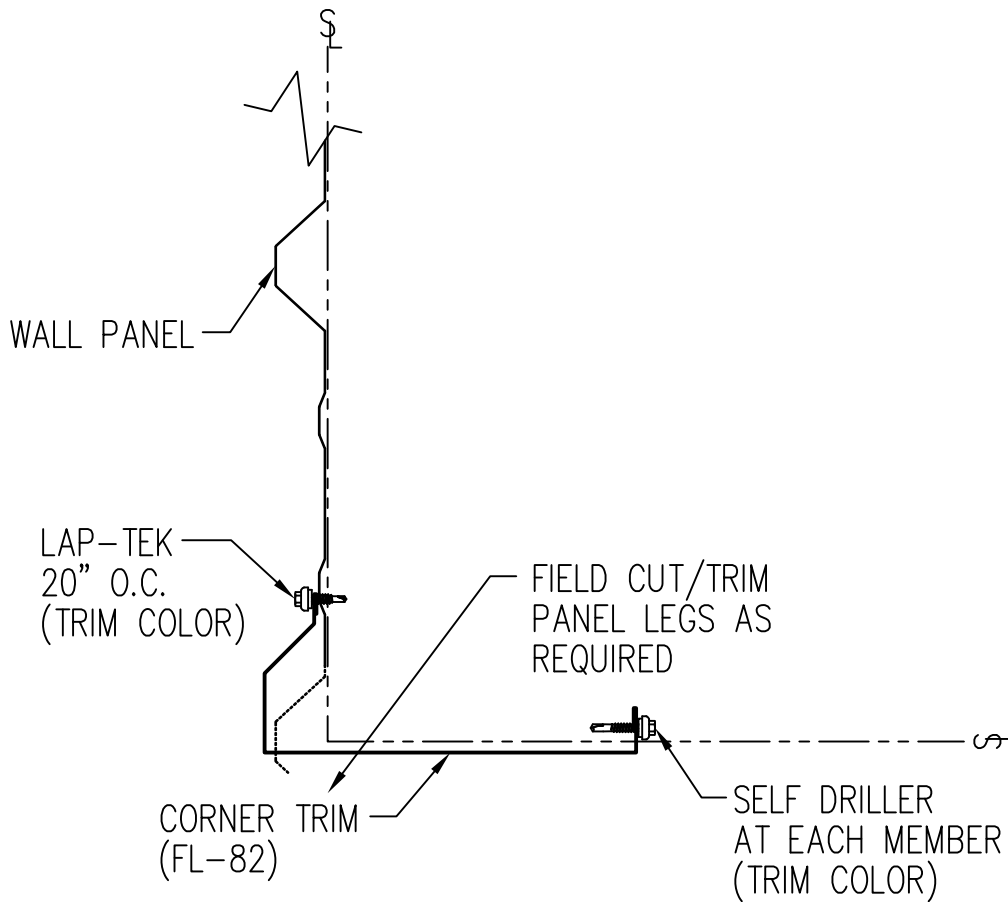
TD100



Schweiss Door Detail

DRAWING NO.

TD101



Section at Open Corner Detail – PBR

DRAWING NO.

TD106