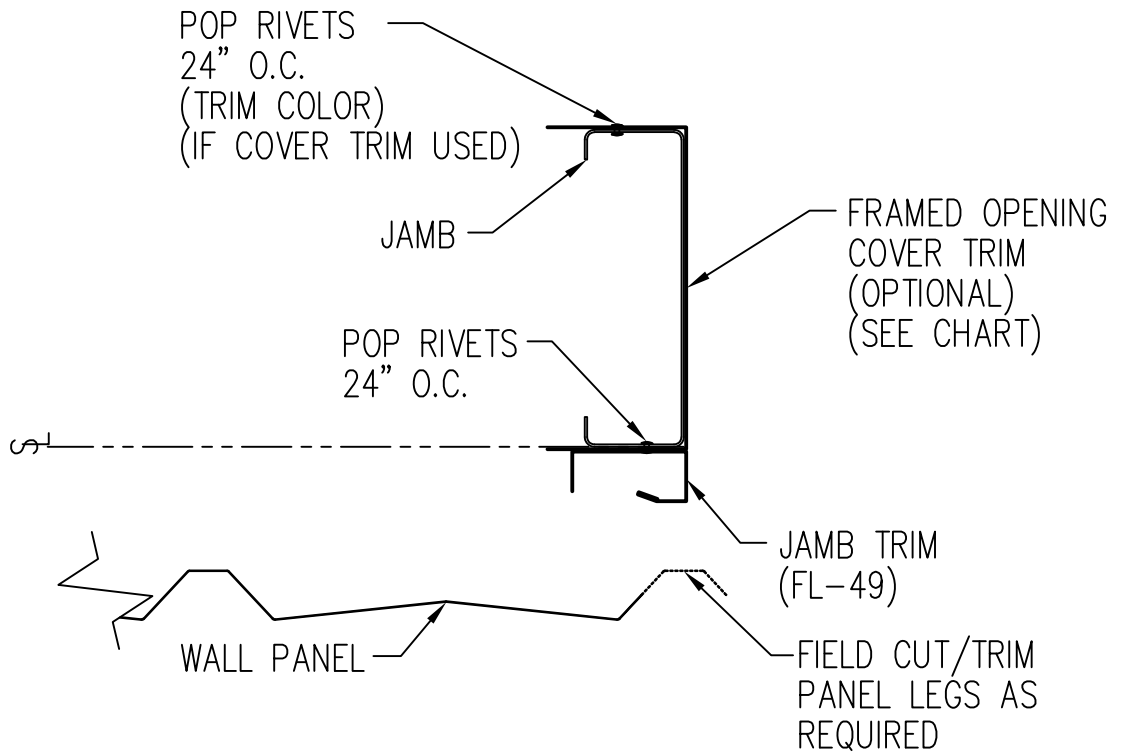


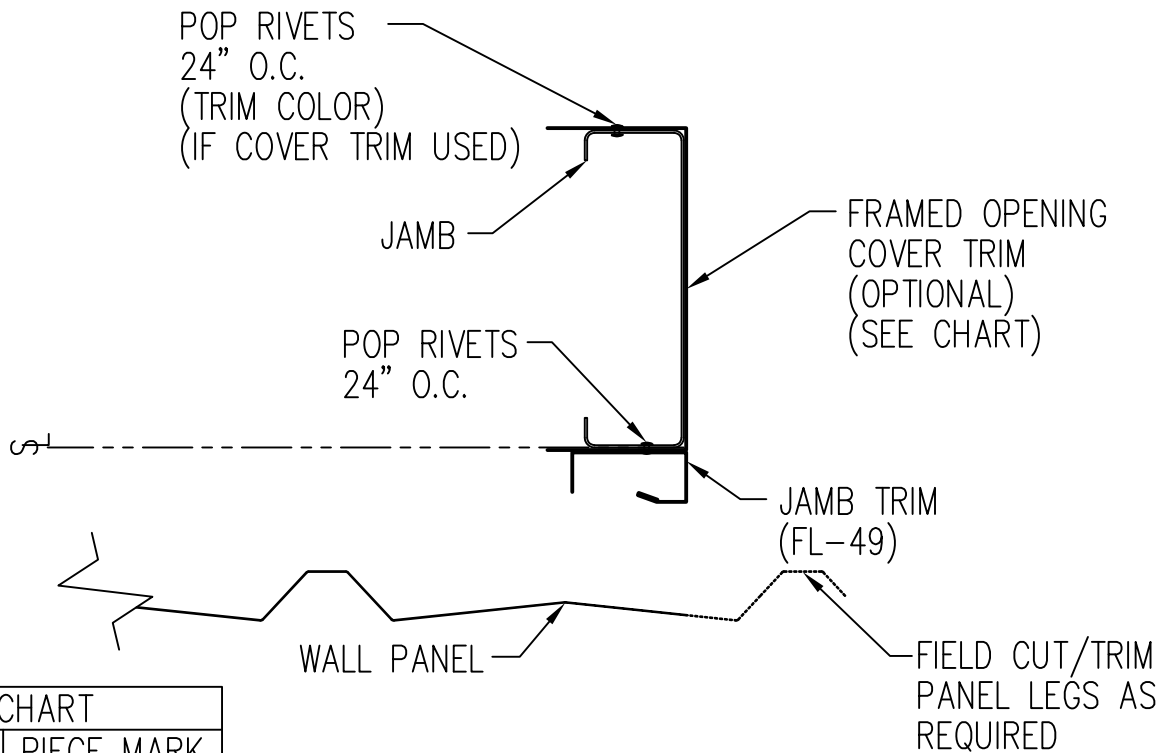
Section at Corner Detail – PBA

DRAWING NO.

TD41



PANEL ENDING ON MODULE



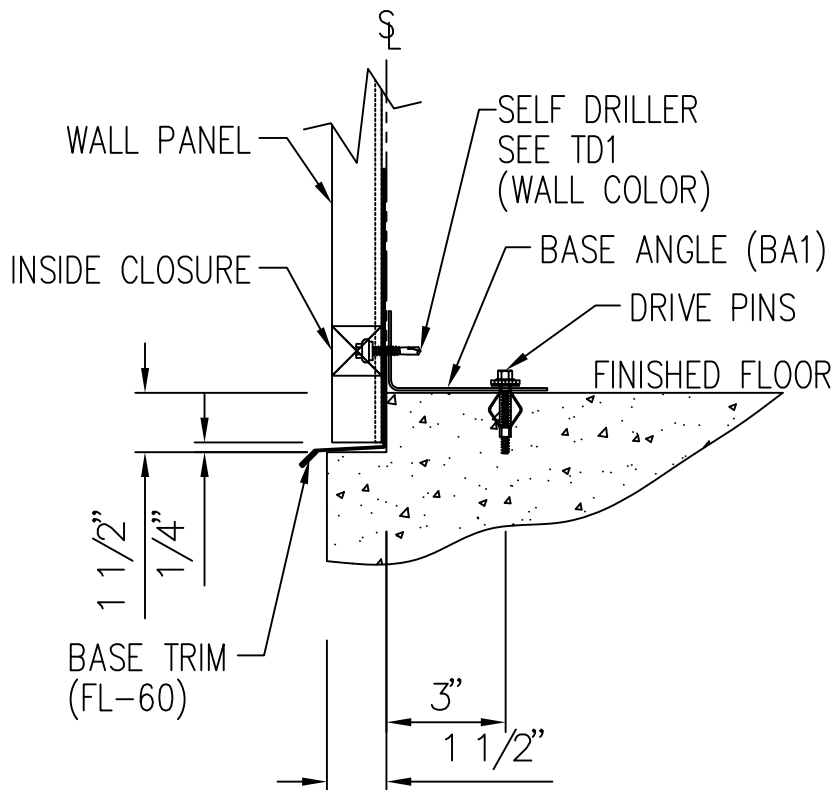
TRIM CHART	
GIRT SIZE	PIECE MARK
8"	FL-55
10"	FL-300
12"	FL-301

PANEL ENDING OFF MODULE

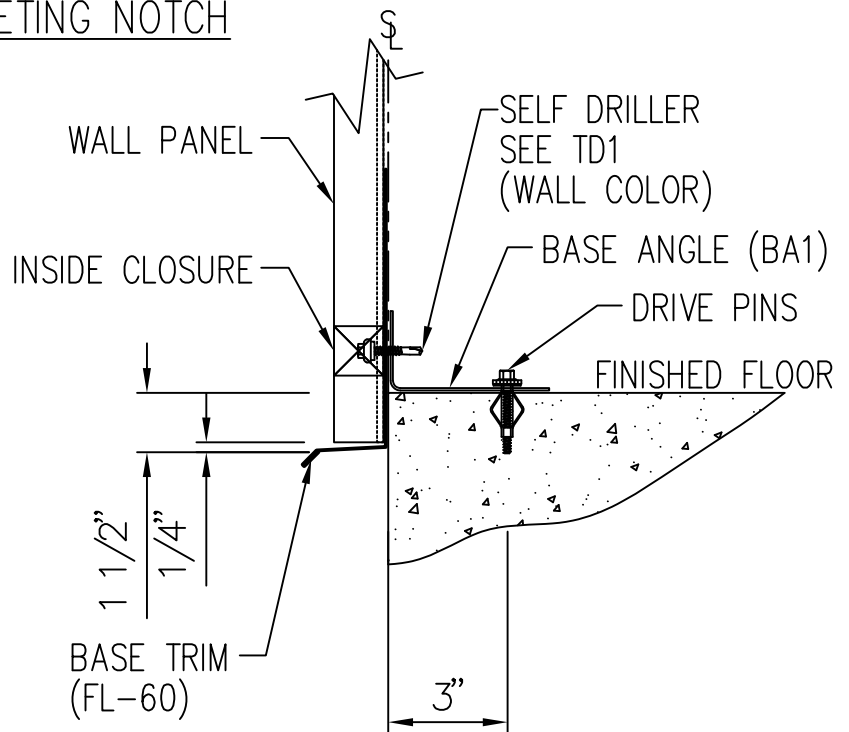
Framed Opening Jamb Detail - PBA

DRAWING NO.

TD55



BASE DETAIL WITH SHEETING NOTCH



BASE DETAIL NO SHEETING NOTCH

NOTE: IF INSULATION IS REQUIRED INSTALL TRIM FIRST.

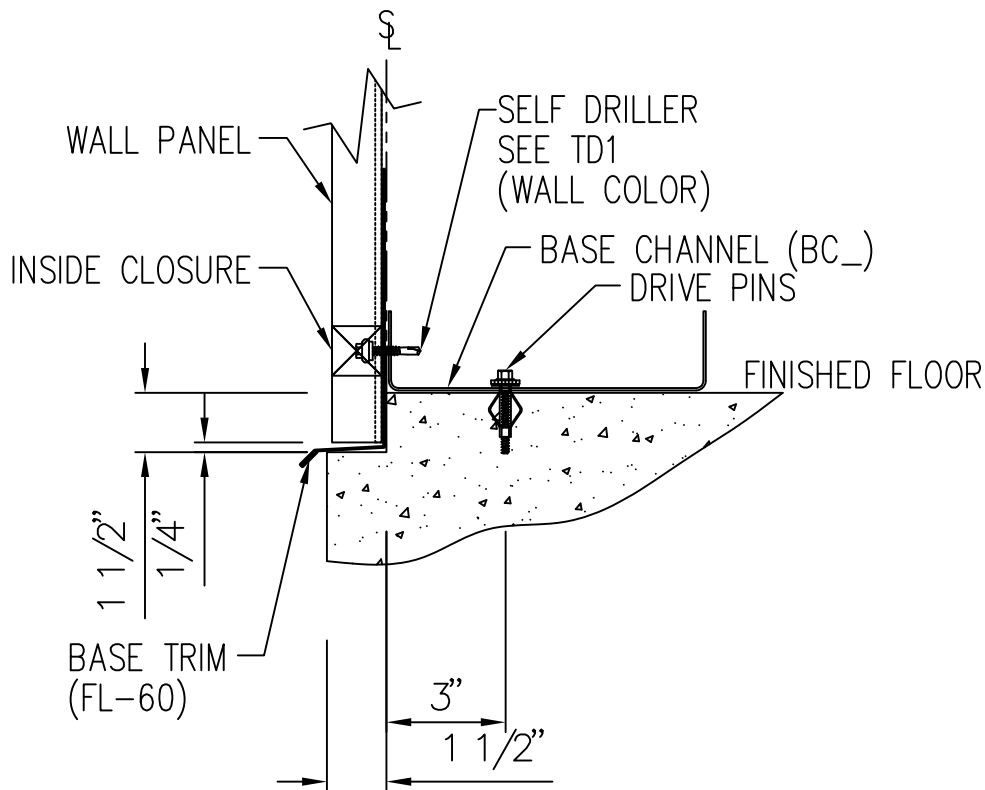
NOTE: A MINIMUM OF 1/4" SPACE SHOULD BE ALLOWED FROM THE SHEET END TO ANY SURFACE

NOTE: USE POWER DRIVEN FASTENERS SUCH AS RAMSET (OR EQUAL). 0.140Ø STRAIGHT SHANK W 1 1/4" PENETRATION AND MIN. ALLOWABLE SHEAR OF 220# (2'-0" O.C.)(NOT BY GWB)

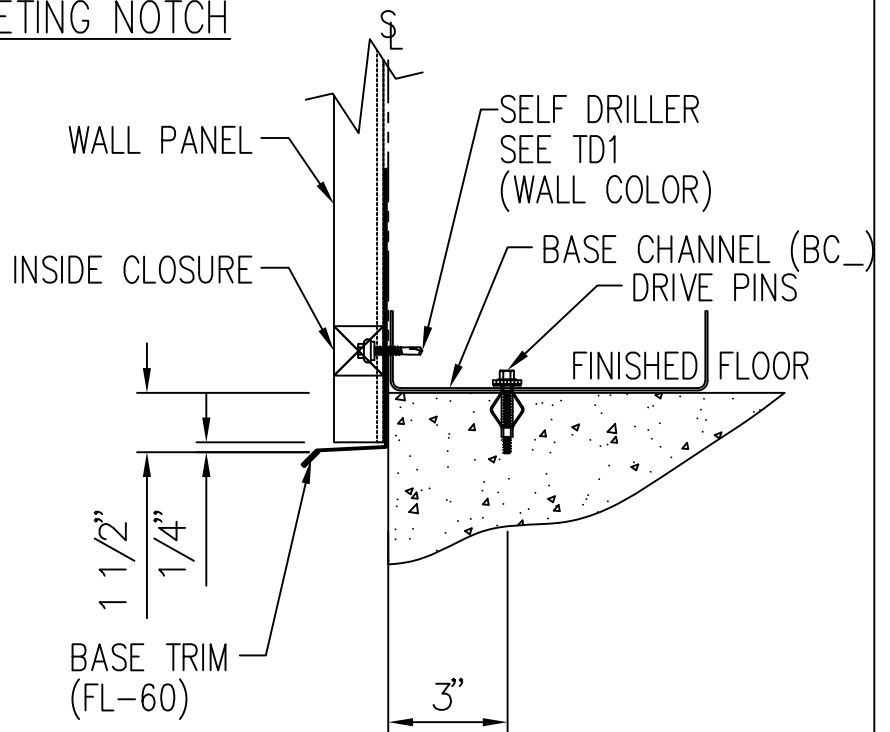
Base Angle w/Trim Details

DRAWING NO.

TD74



BASE DETAIL WITH SHEETING NOTCH



BASE DETAIL NO SHEETING NOTCH

NOTE: IF INSULATION IS REQUIRED INSTALL TRIM FIRST.

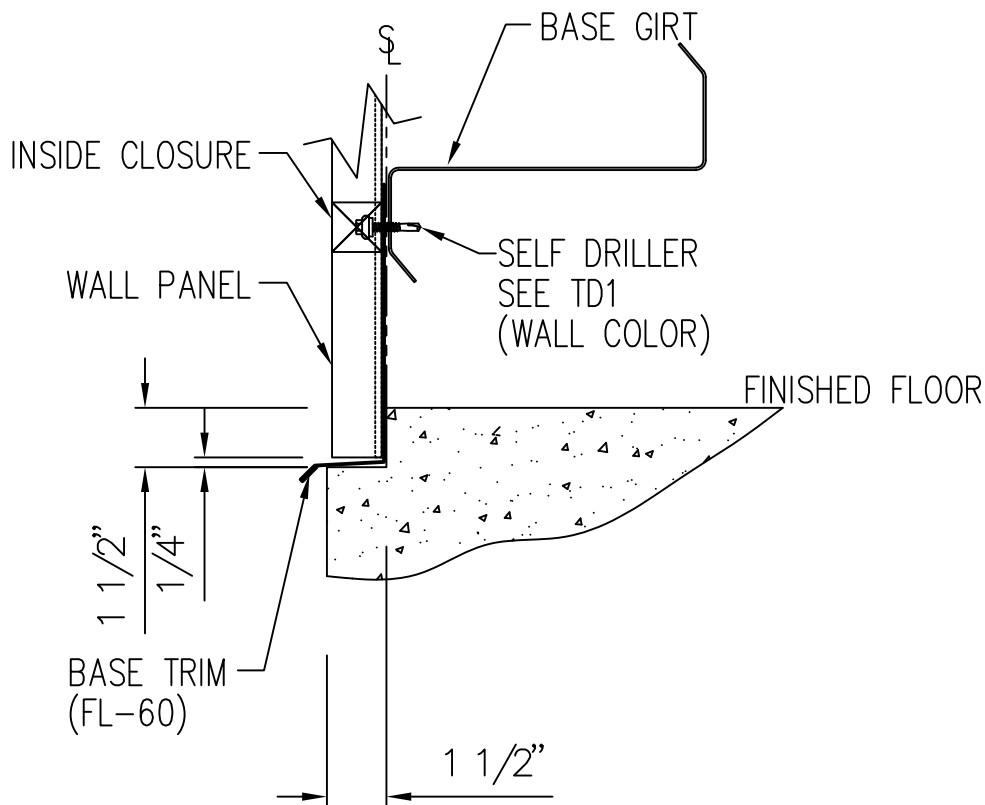
NOTE: A MINIMUM OF 1/4" SPACE SHOULD BE ALLOWED FROM THE SHEET END TO ANY SURFACE

NOTE: USE POWER DRIVEN FASTENERS SUCH AS RAMSET (OR EQUAL). 0.140Ø STRAIGHT SHANK W 1 1/4" PENETRATION AND MIN. ALLOWABLE SHEAR OF 220# (2'-0" O.C.)(NOT BY GWB)

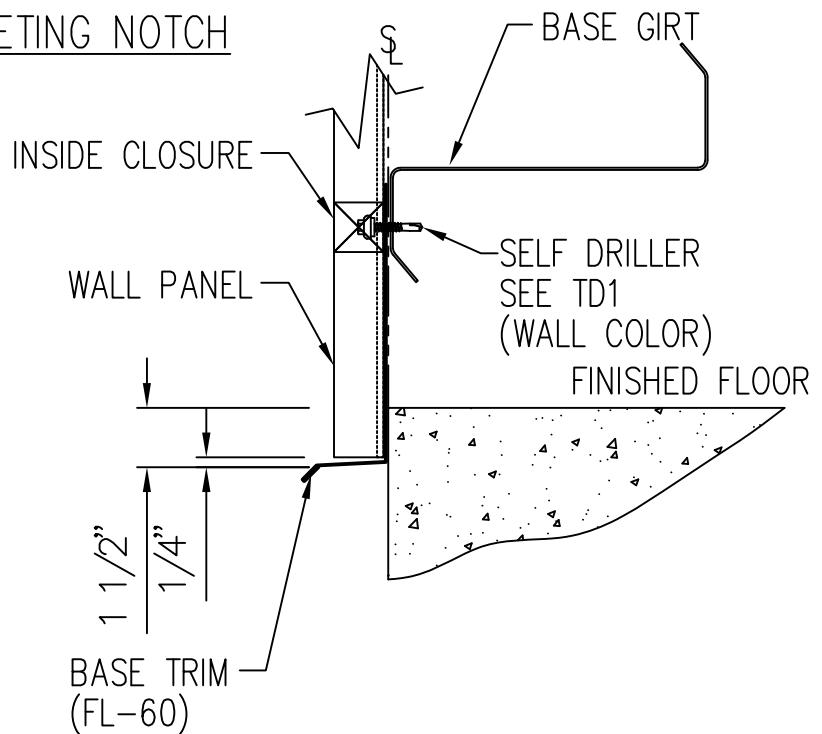
Base Channel w/Trim Details

DRAWING NO.

TD75



BASE DETAIL WITH SHEETING NOTCH



BASE DETAIL NO SHEETING NOTCH

NOTE: IF INSULATION IS REQUIRED INSTALL TRIM FIRST.

NOTE: A MINIMUM OF 1/4" SPACE SHOULD BE ALLOWED FROM THE SHEET END TO ANY SURFACE

Base Girt w/Trim Details

DRAWING NO.

TD76