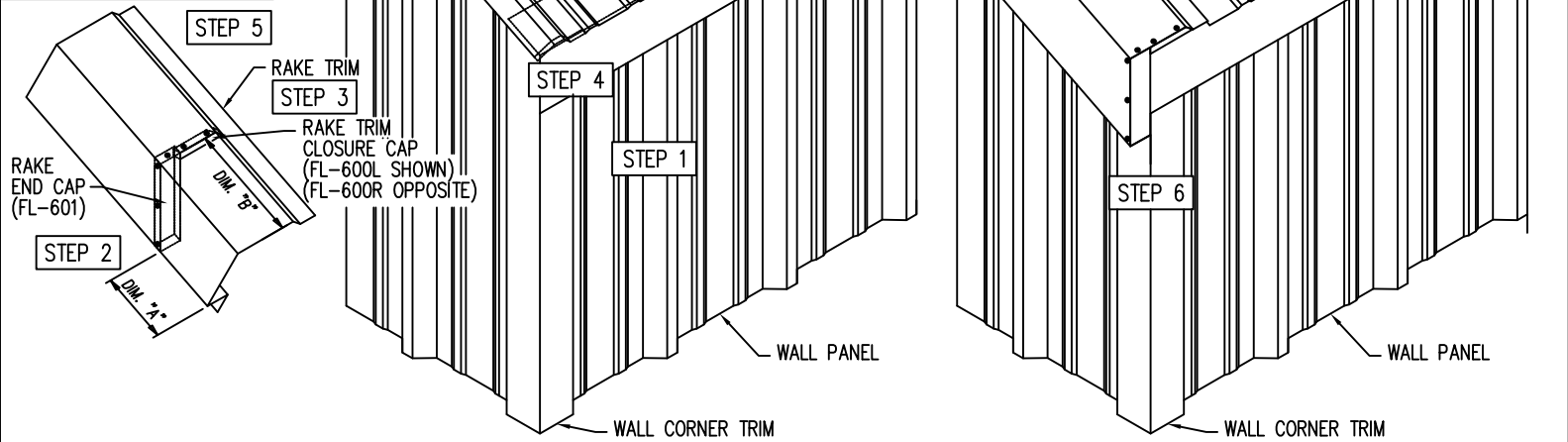


Slope	Dim. "A"	Dim. "B"
1 : 12	3/16"	3/4"
2 : 12	3/8"	1 1/2"
3 : 12	9/16"	2 1/4"
4 : 12	3/4"	3"
5 : 12	15/16"	3 3/4"
6 : 12	1 1/8"	4 1/2"
7 : 12	1 5/16"	5 1/4"
8 : 12	1 1/2"	6"
9 : 12	1 11/16"	6 3/4"
10 : 12	1 7/8"	7 1/2"
11 : 12	2 1/16"	8 1/4"
12 : 12	2 1/4"	9"



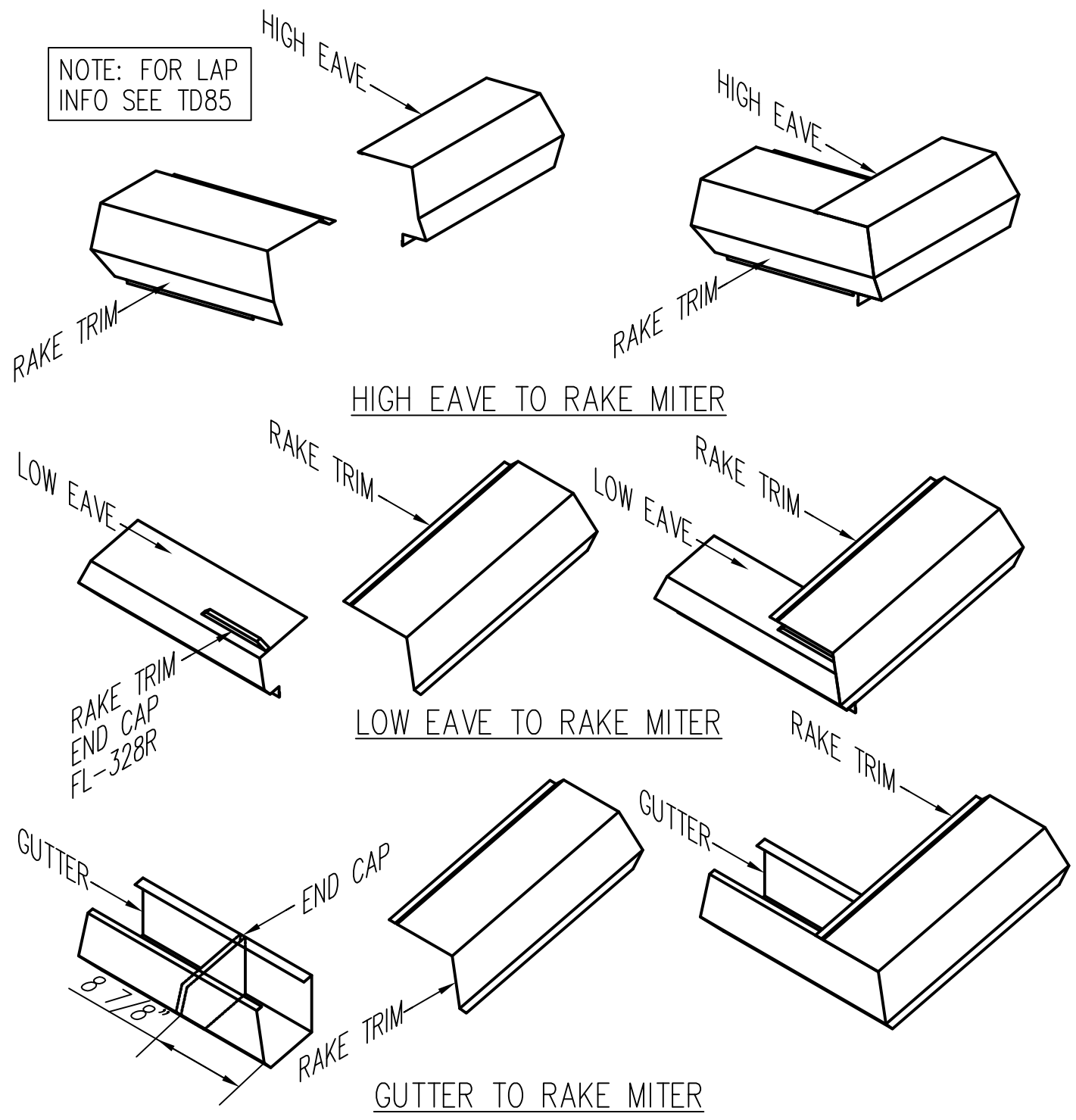
- STEP 1** INSTALL FLAT EAVE TRIM IN BETWEEN THE ROOF PANEL AND LOW EAVE MEMBER. BE SURE THE END OF THE FLAT EAVE TRIM IS FLUSH WITH THE WALL CORNER TRIM.
- STEP 2** INSTALL RAKE END CAP (FL-601), INTO RAKE TRIM USING (5) POP RIVETS. USE CHART TO DETERMINE HOW FAR THE RAKE END CAP IS POSITIONED INTO THE RAKE TRIM. WITH DIM. "A" BEING THE BOTTOM FACE OF THE RAKE TRIM & DIM. "B" BEING THE TOP FACE OF THE RAKE TRIM.
- STEP 3** INSTALL RAKE TRIM CLOSURE CAP (FL-600L/R), FLUSH WITH THE RAKE END CAP USING (3) POP RIVETS.
- STEP 4** FIELD CUT/NOTCH THE END OF THE ROOF PANEL BACK 1". THIS IS TO ALLOW THE RAKE TRIM CLOSURE CAP FROM HITTING THE ROOF PANEL.
- STEP 5** INSTALL RAKE TRIM. BE SURE THE BOTTOM END OF THE RAKE TRIM, THAT ATTACHES TO THE HIGH RIBS OF THE WALL PANEL, IS FLUSH WITH THE WALL CORNER TRIM.
- STEP 6** FIELD CUT/NOTCH THE FACE OF THE RAKE TRIM TO BE FLUSH WITH THE WALL CORNER TRIM. BE SURE WHEN CUTTING/NOTCHING THE TOP OF THE RAKE TRIM, THAT SITS ON TOP OF THE ROOF PANEL, SHOULD BE LINED UP WITH THE END OF THE ROOF PANEL.

Flat Eave Corner Trim Installation – PBR

DRAWING NO.

TD12

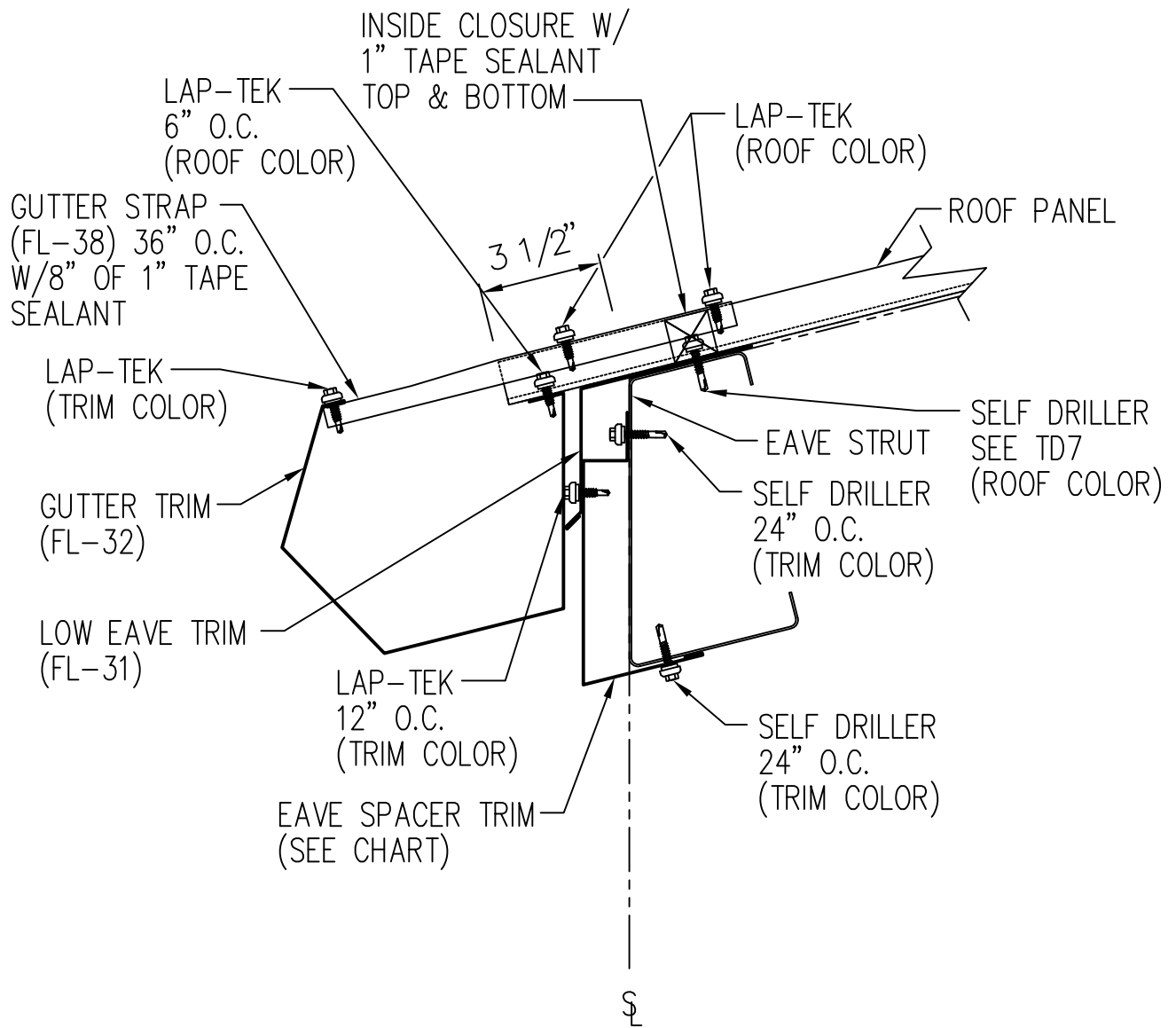
NOTE: FOR LAP
INFO SEE TD85



LOCATE THE GUTTER END CAP 8 7/8" AWAY FROM THE FRONT MITER OF THE GUTTER. IF DONE PROPERLY THE END CAP SHOULD LINE UP WITH THE LOW LEG OF THE RAKE TRIM THAT SITS ON TOP OF THE ROOF PANEL. APPLY ONE BEAD OF TUBE SEALANT (NOT BY G.A.B.) BETWEEN THE END CAP SURFACE AND THE GUTTER. ATTACH THE END CAP TO THE GUTTER USING (12) POP RIVETS. CHECK TO MAKE SURE ALL EDGES ARE SEALED WITH TUBE SEALANT (NOT BY G.A.B.). INSERT THE GUTTER INTO THE RAKE TRIM. ALIGN THE MITERED EDGES AND ATTACH TO THE RAKE TRIM WITH (12) POP RIVETS.

Sculptured Trim Detail – PBR

DRAWING NO.
TD13



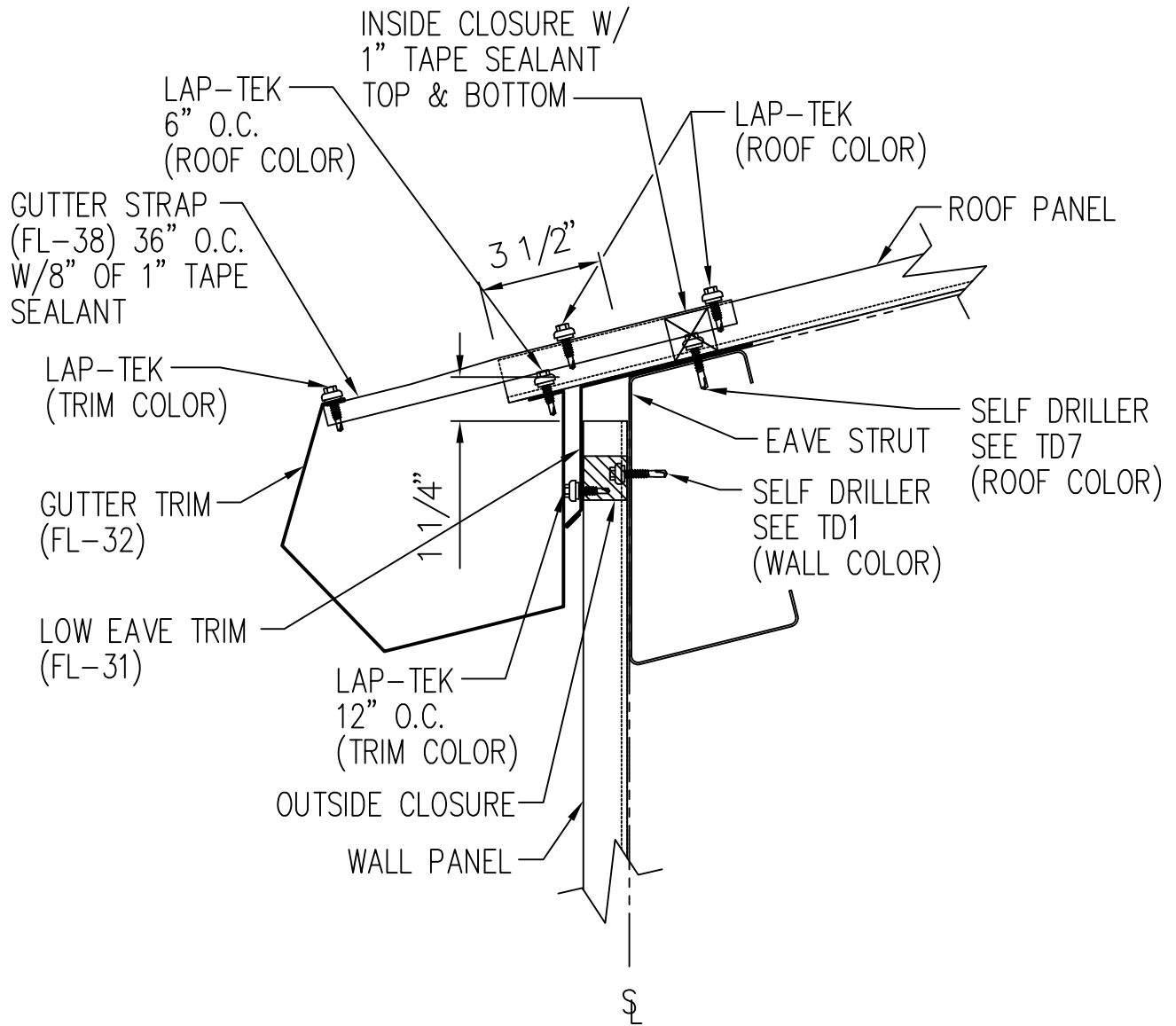
TRIM CHART	
PURLIN SIZE	PIECE MARK
8"	FL-80
10"	FL-500
12"	FL-500

Low Eave Gutter Detail – PBR

Sculptured Gutter – Open Wall – No Soffit

DRAWING NO.

TD14

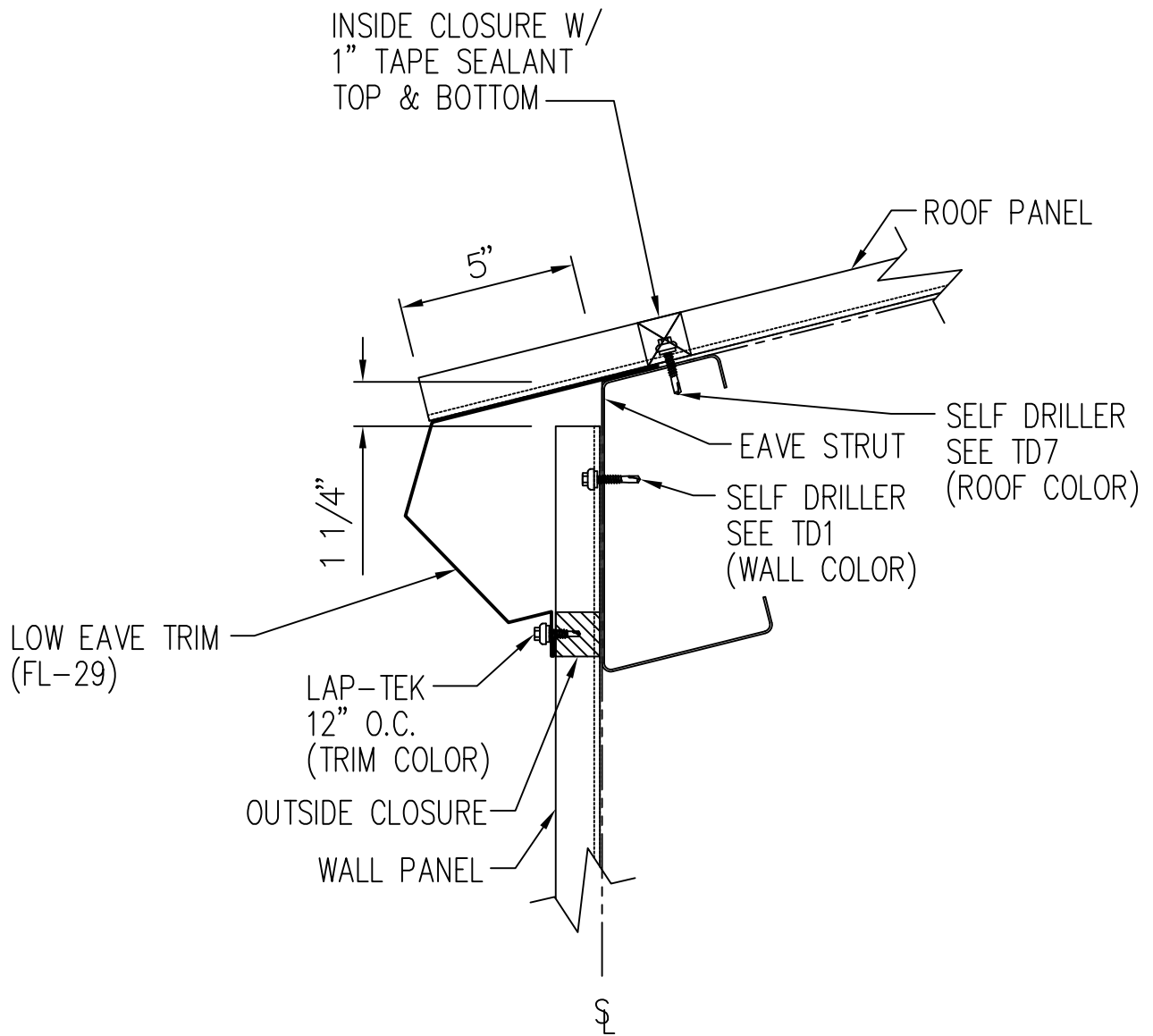


Low Eave Gutter Detail – PBR

Sculptured Gutter – Sheeted Wall

DRAWING NO.

TD15

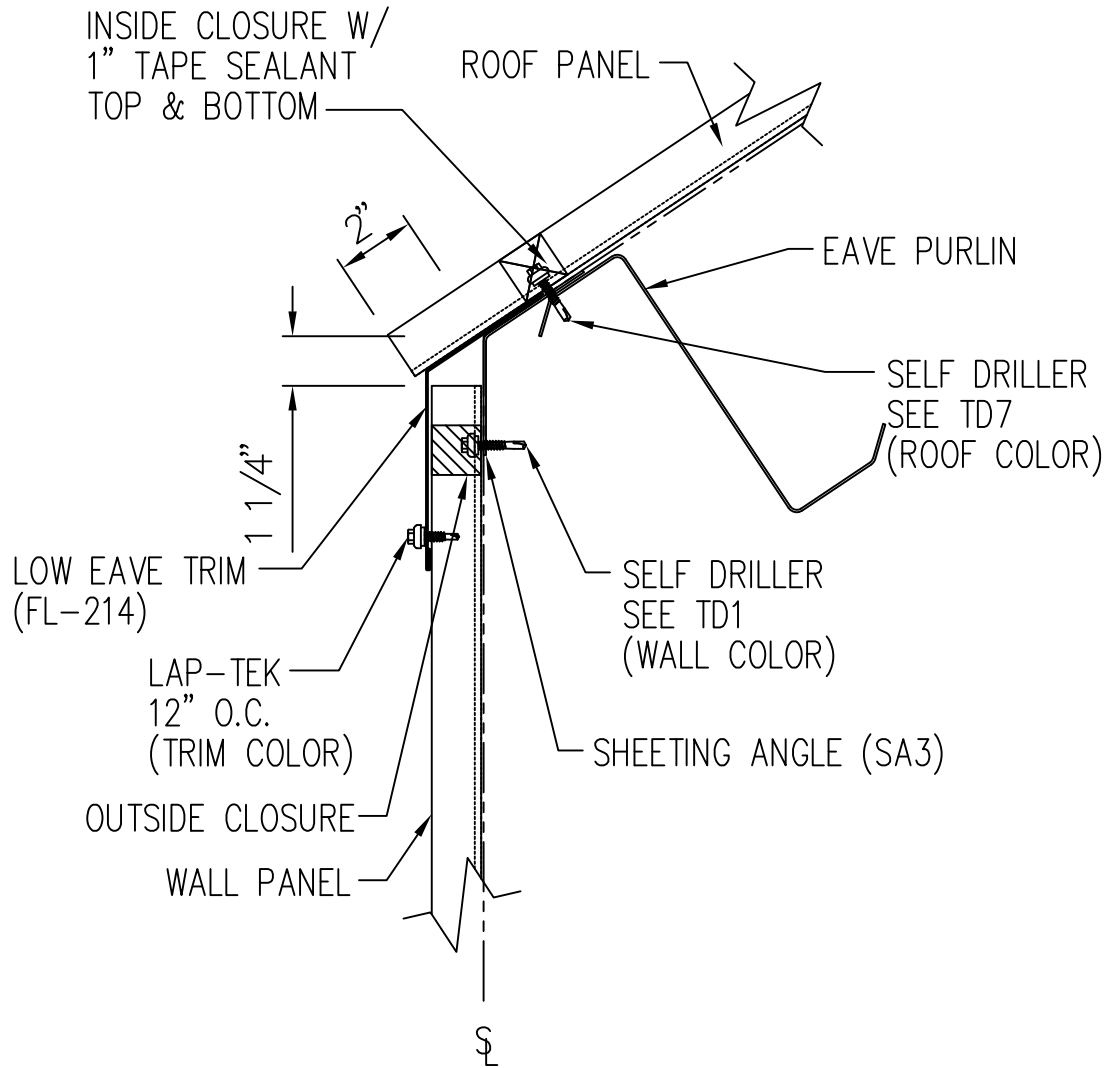


Low Eave Detail – PBR

Sculptured Eave – Sheeted Wall

DRAWING NO.

TD16

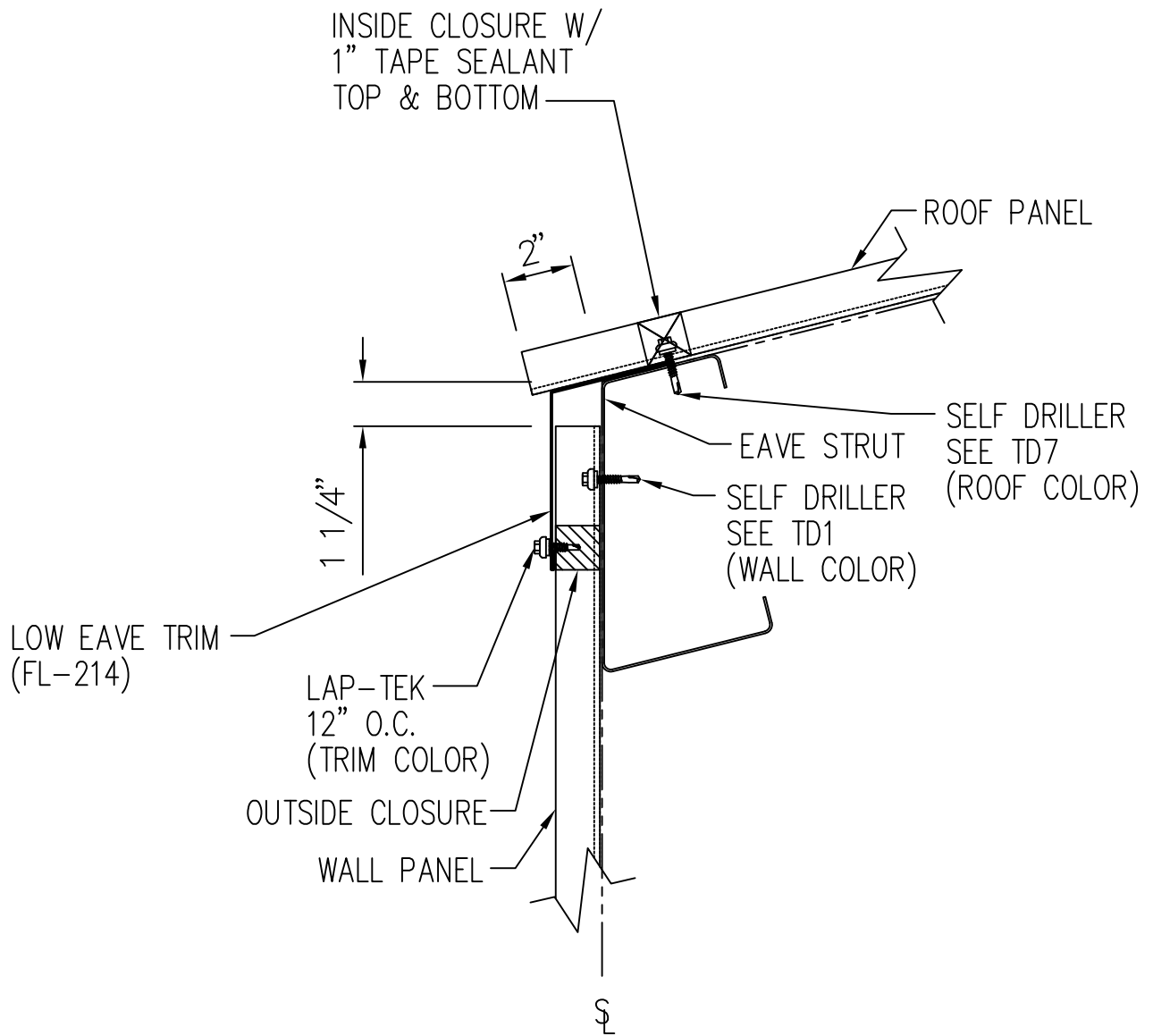


Low Eave Detail – PBR

Box Eave – Sheeted Wall

DRAWING NO.

TD16

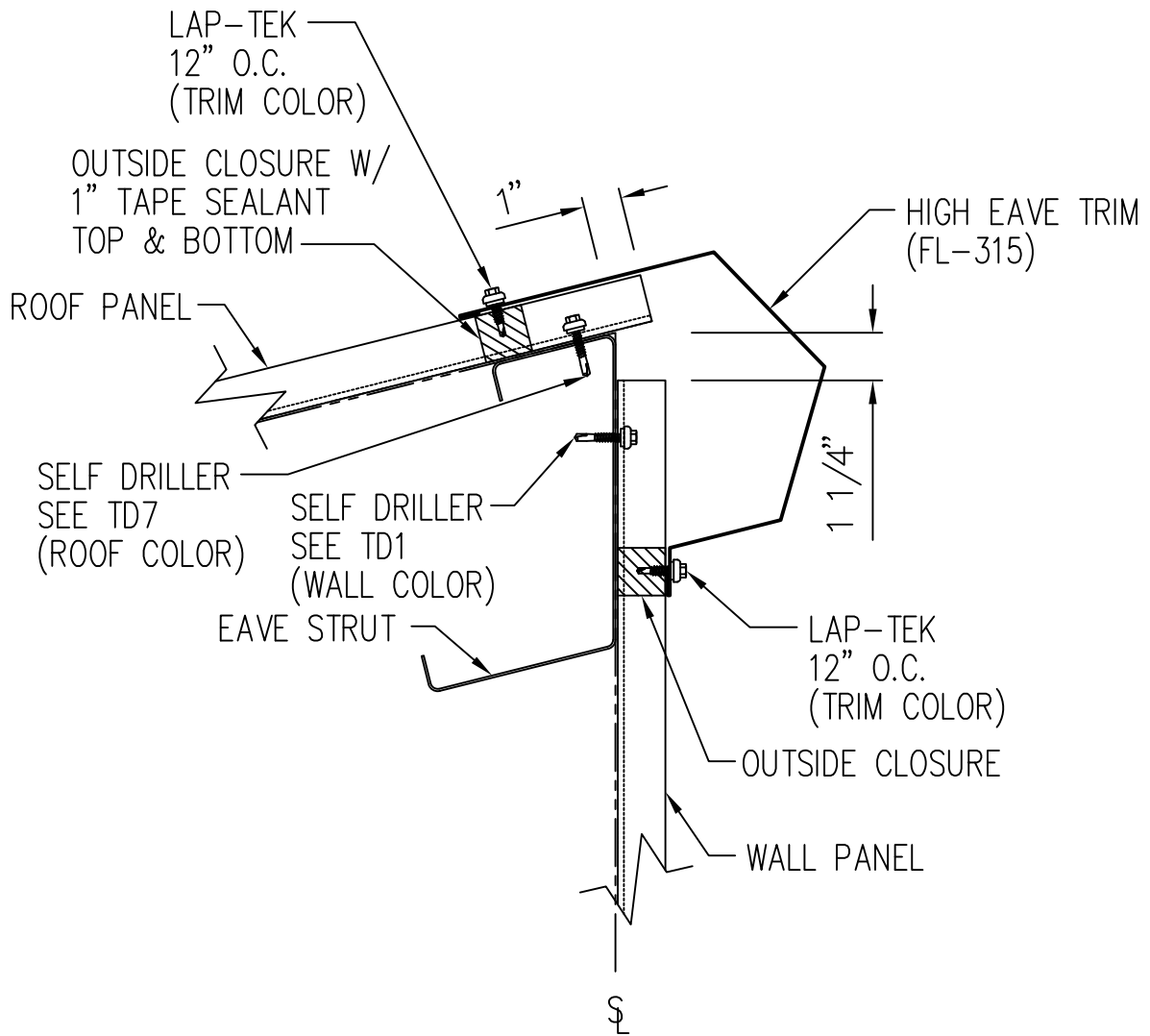


Low Eave Detail - PBR

Simple Eave - Sheeted Wall

DRAWING NO.

TD17

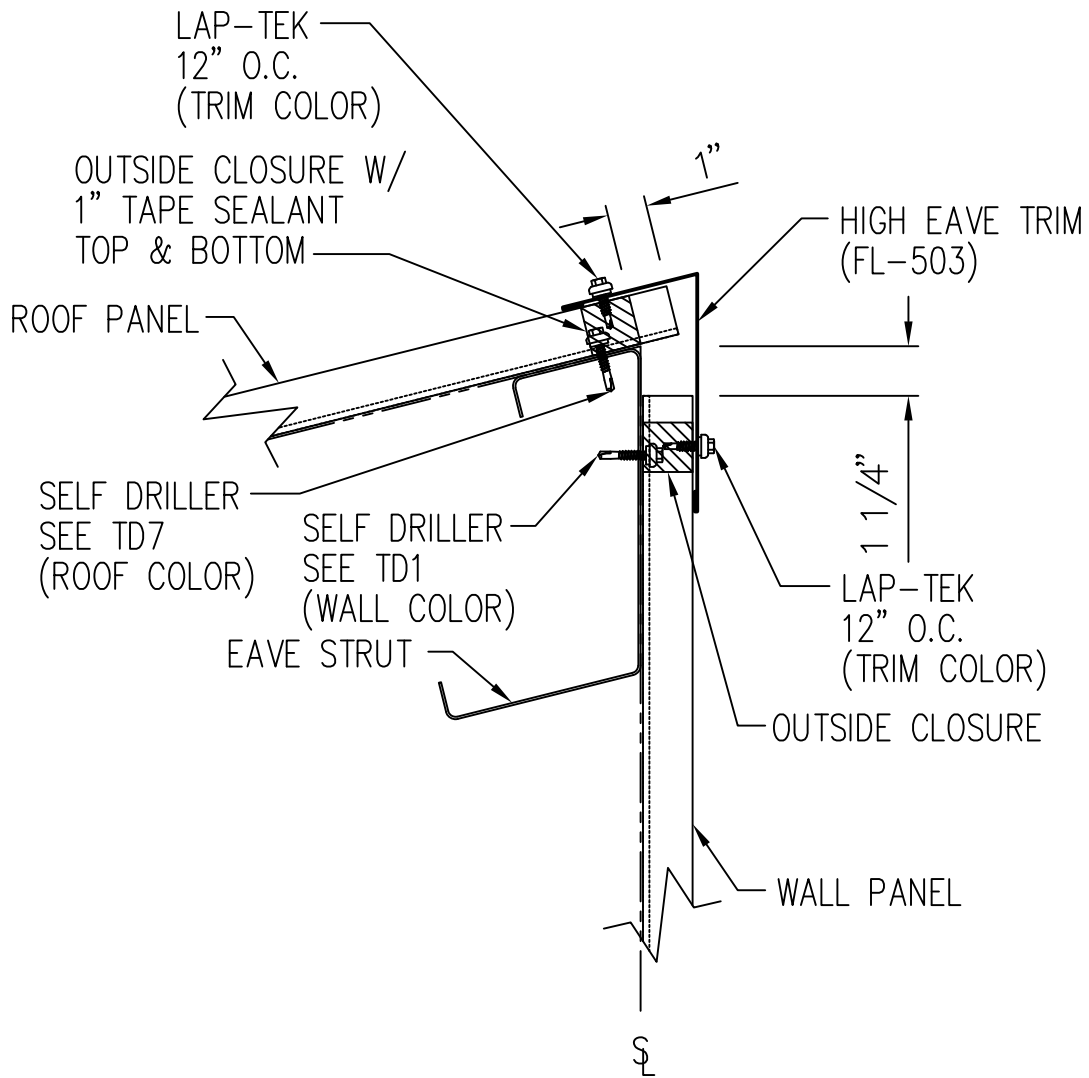


High Eave Detail – PBR

Sculptured Eave – Sheeted Wall

DRAWING NO.

TD18

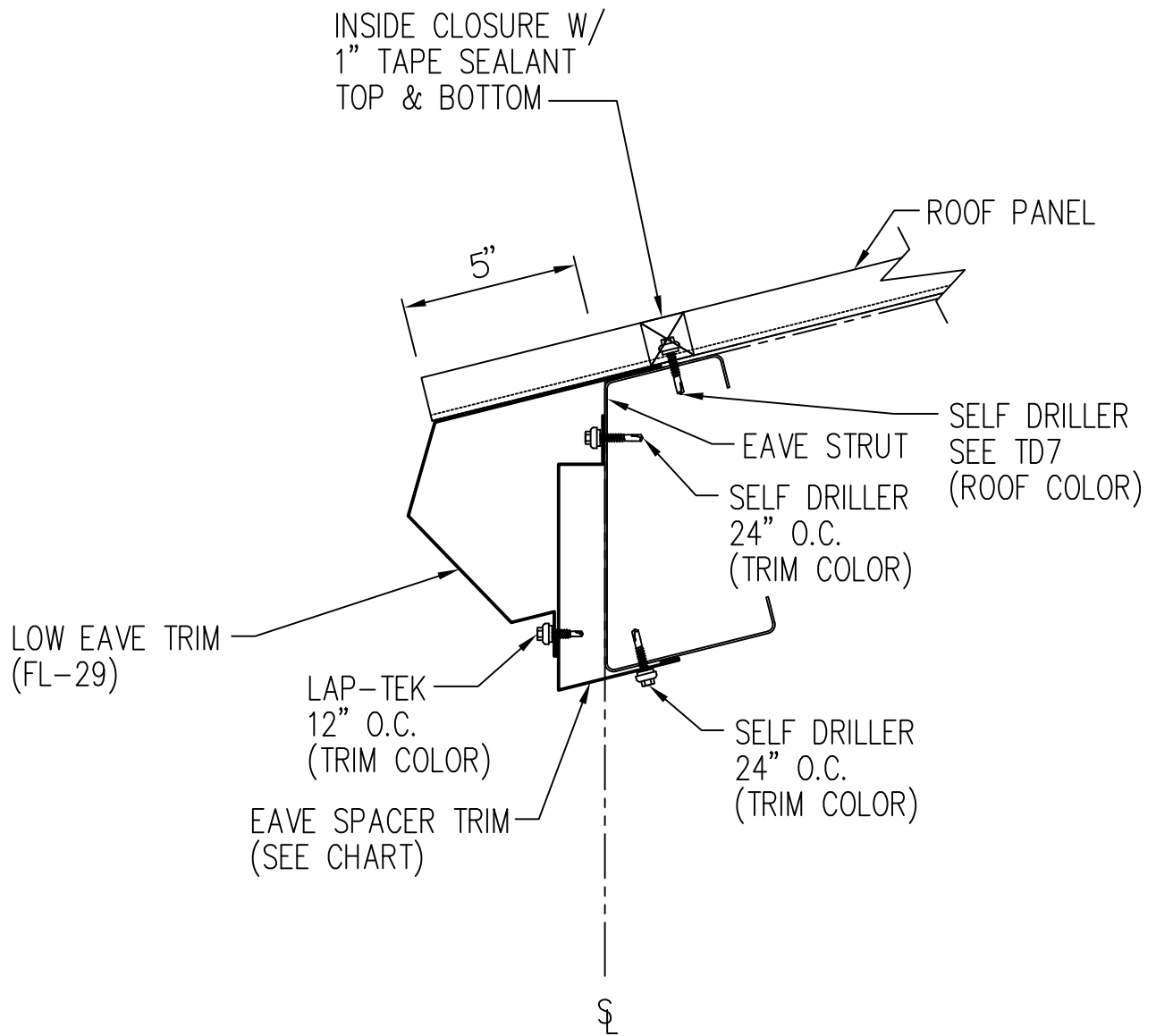


High Eave Detail – PBR

Simple Eave – Sheeted Wall

DRAWING NO.

TD19



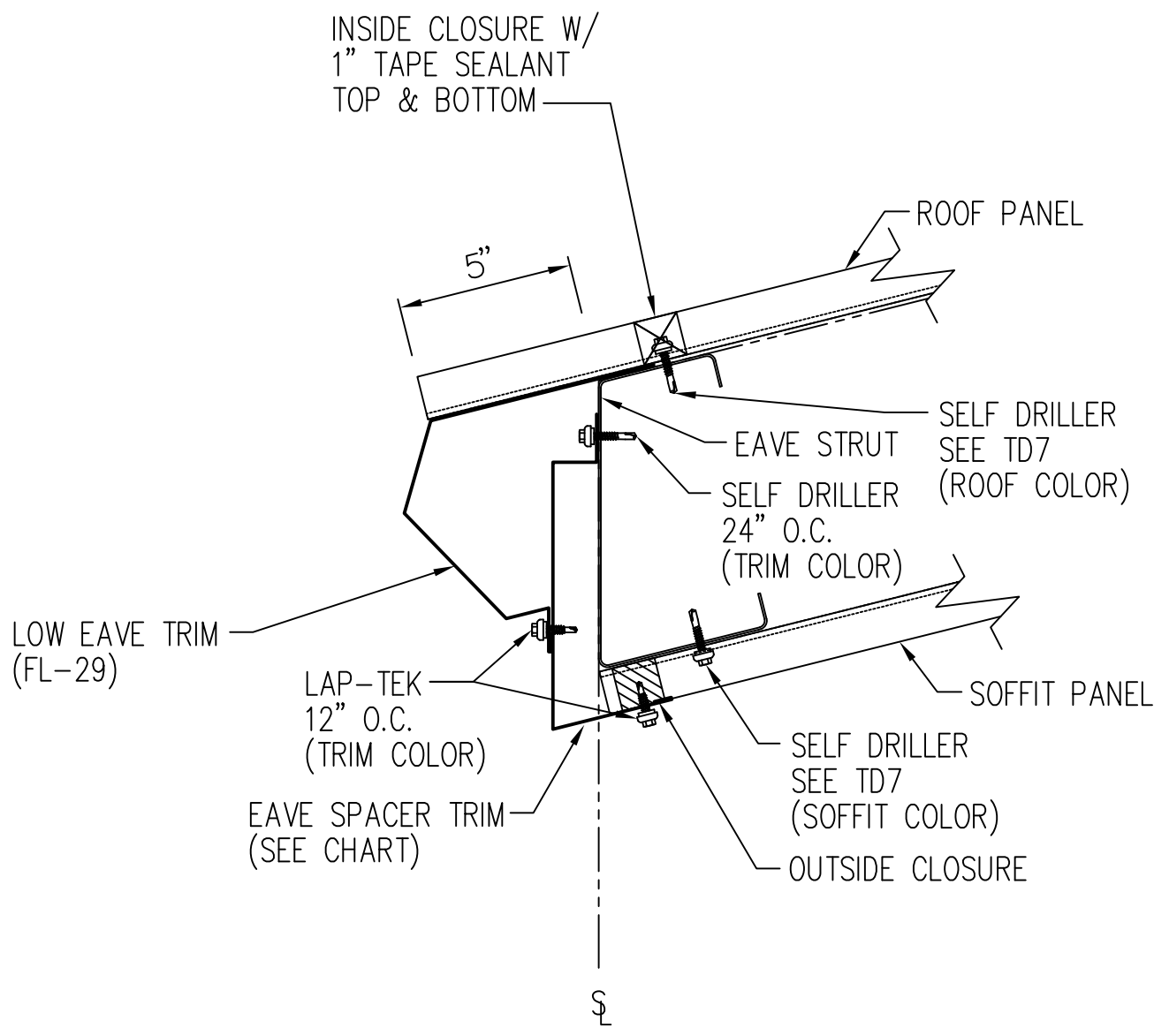
TRIM CHART	
PURLIN SIZE	PIECE MARK
8"	FL-80
10"	FL-80
12"	FL-500

Low Eave Detail – PBR

Sculptured Eave – Open Wall – No Soffit

DRAWING NO.

TD20



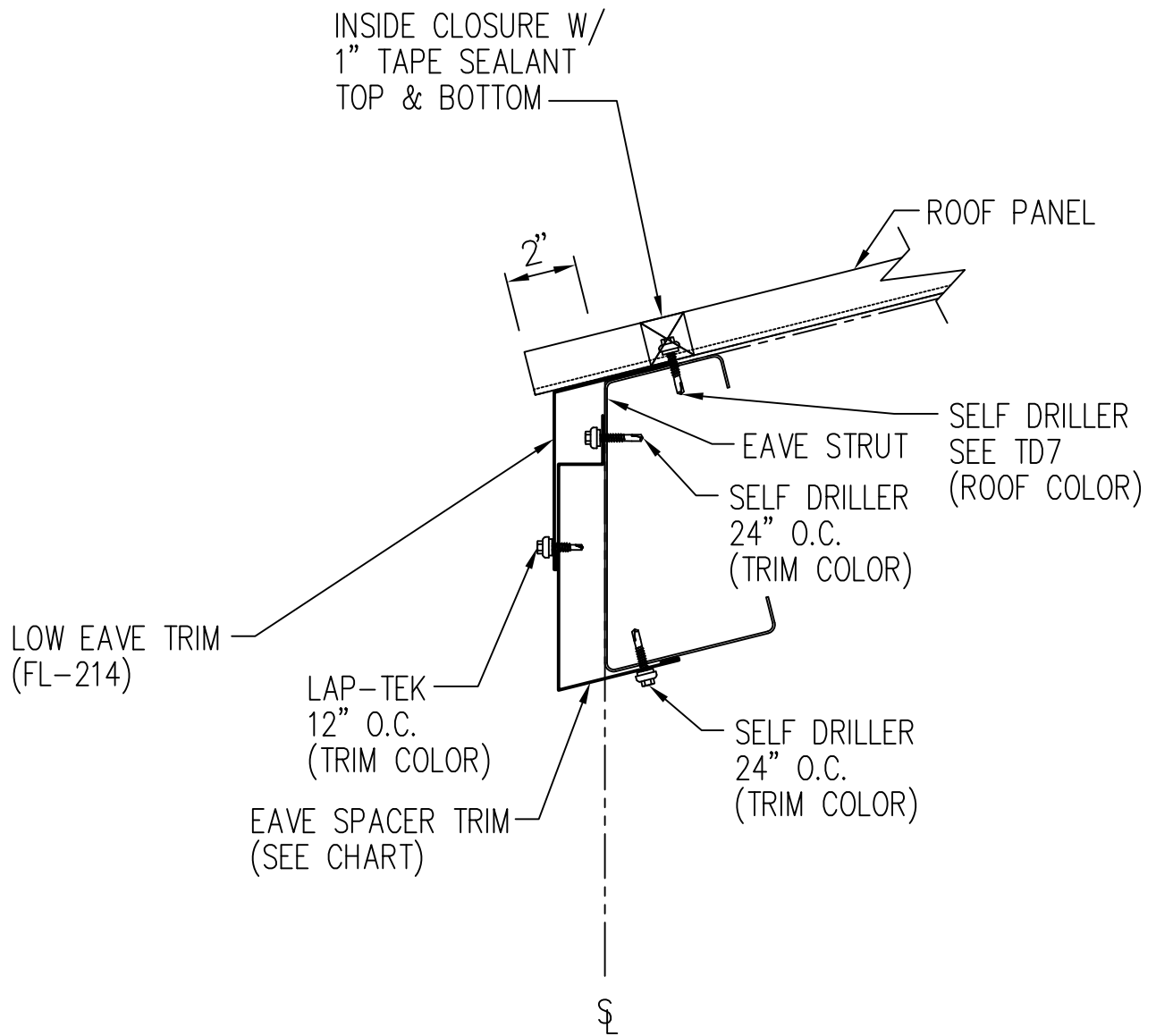
TRIM CHART	
PURLIN SIZE	PIECE MARK
8"	FL-500
10"	FL-500
12"	FL-500

Low Eave Detail - PBR

Sculptured Eave - Open Wall - With Soffit

DRAWING NO.

TD20

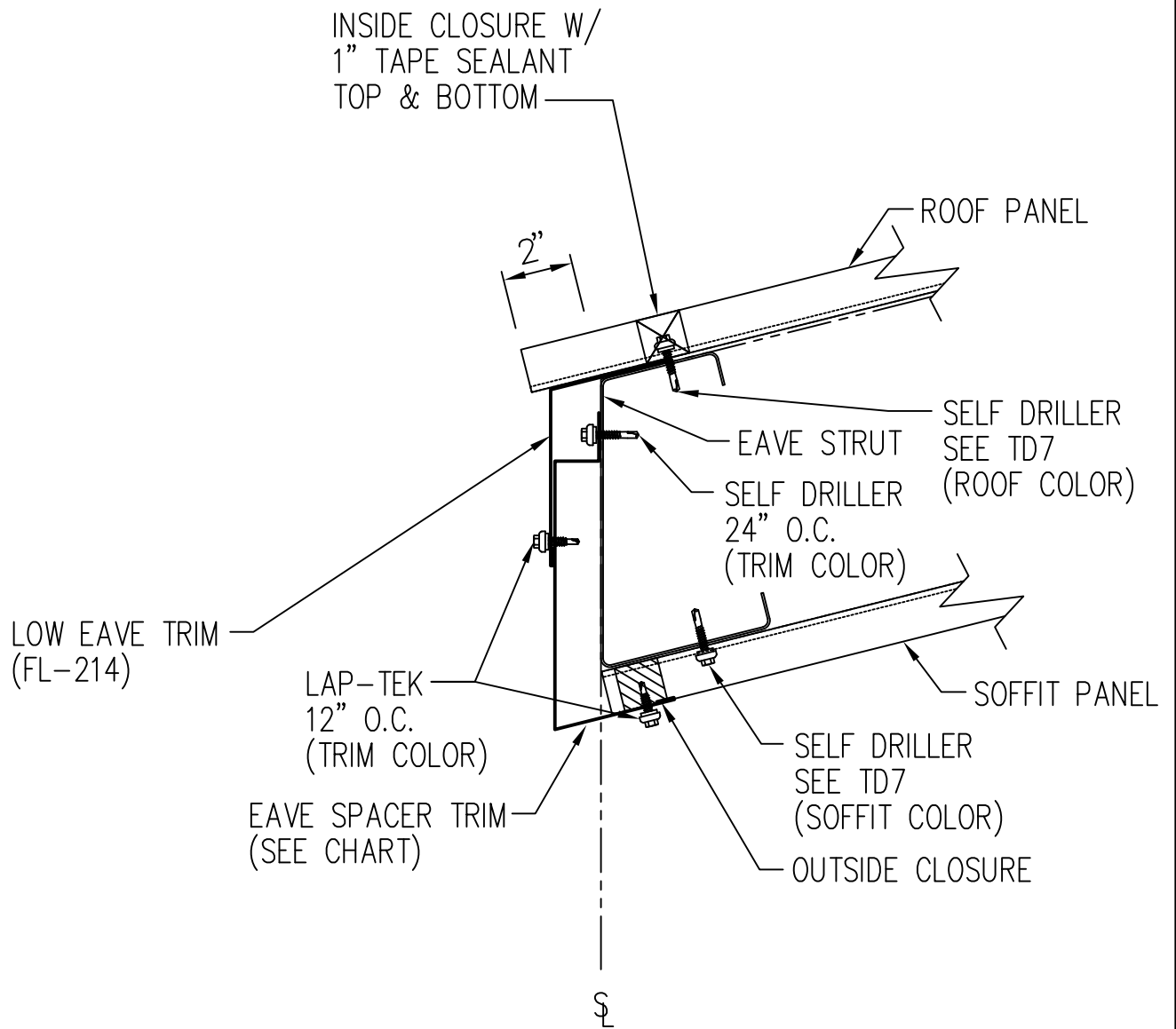


TRIM CHART	
PURLIN SIZE	PIECE MARK
8"	FL-80
10"	FL-80
12"	FL-500

Low Eave Detail – PBR
Simple Eave – Open Wall – No Soffit

DRAWING NO.

TD21



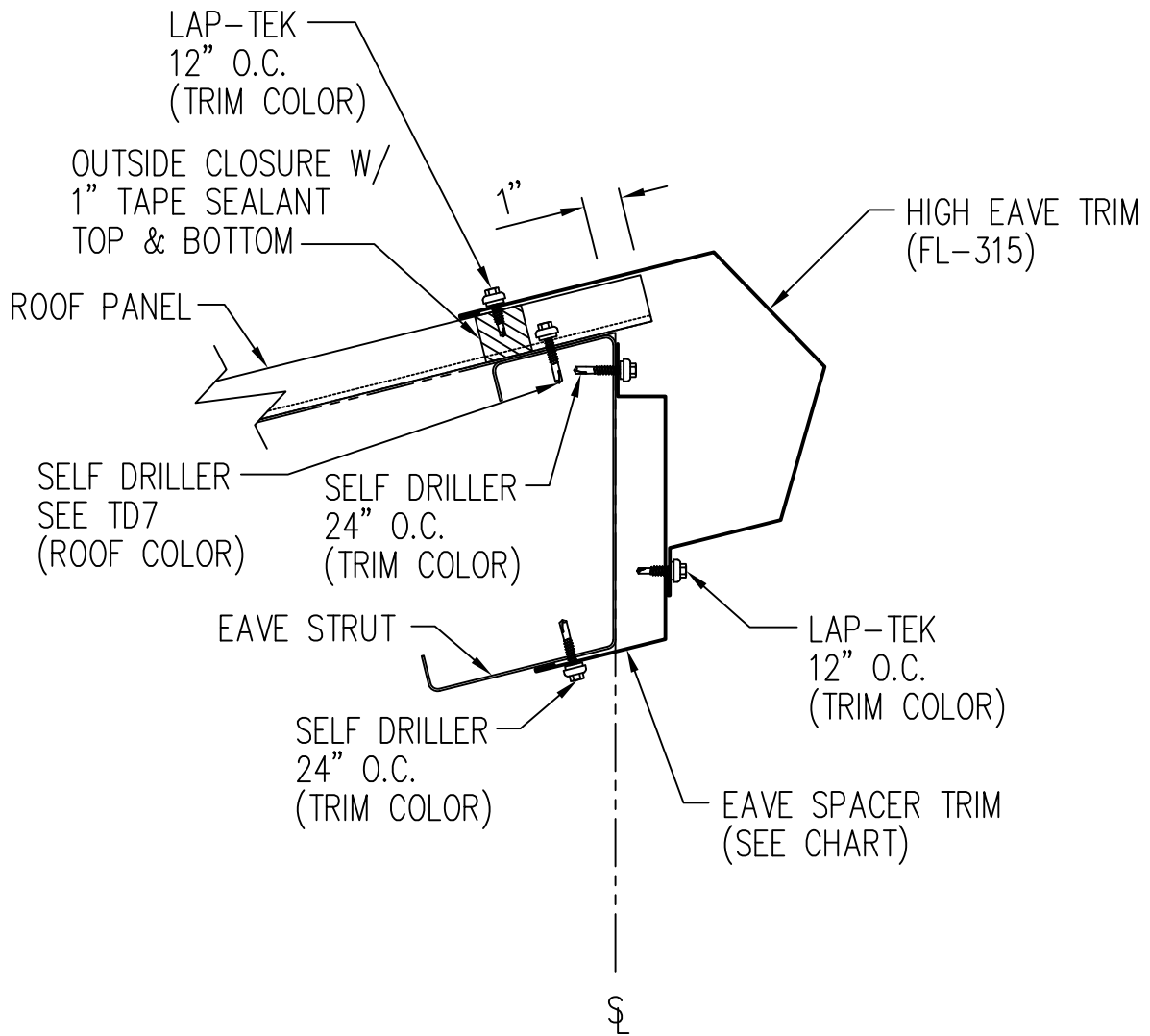
TRIM CHART	
PURLIN SIZE	PIECE MARK
8"	FL-500
10"	FL-500
12"	FL-500

Low Eave Detail – PBR

Simple Eave – Open Wall – With Soffit

DRAWING NO.

TD21



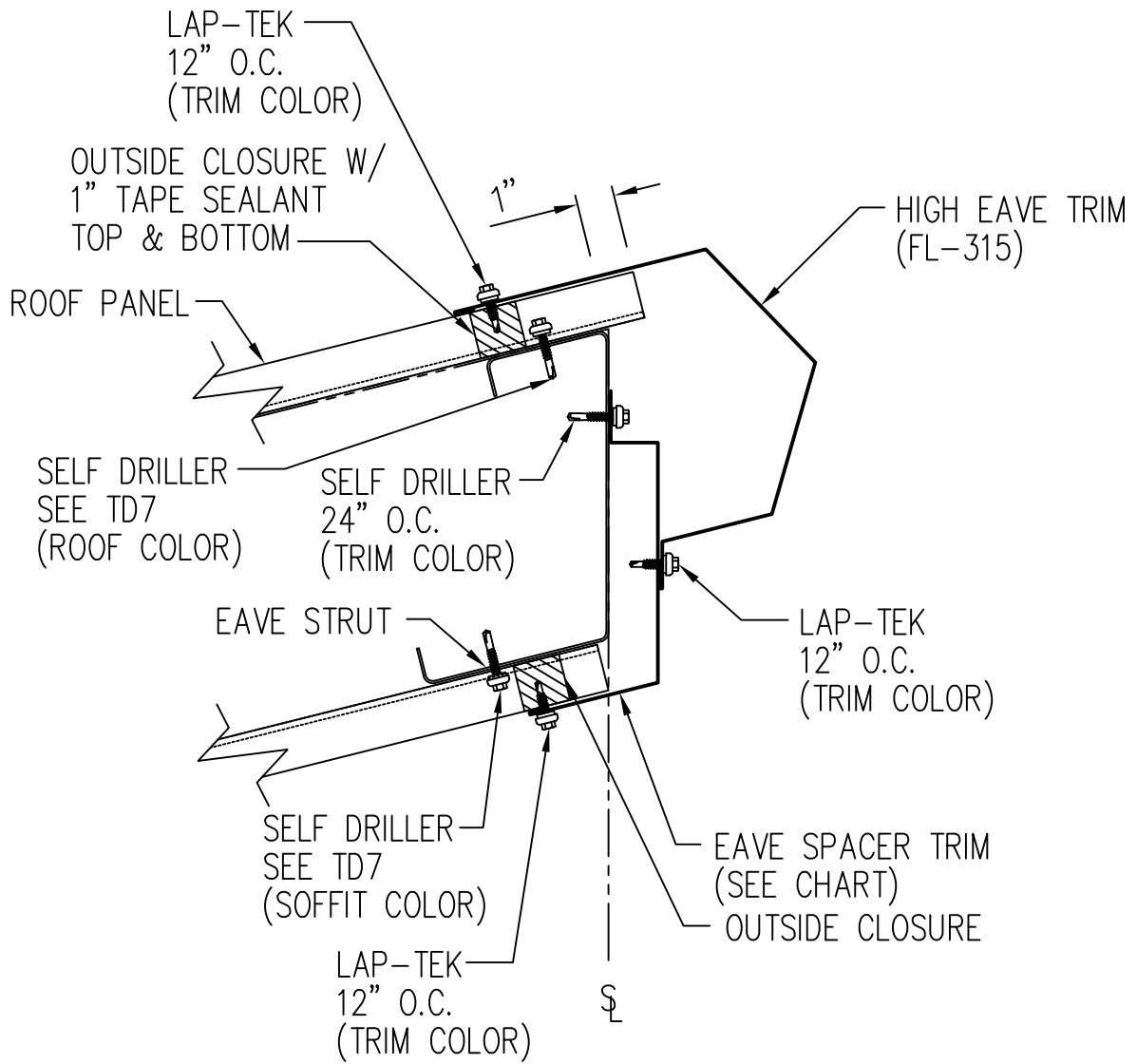
TRIM CHART	
PURLIN SIZE	PIECE MARK
8"	FL-241
10"	FL-241
12"	FL-500

High Eave Detail – PBR

Sculptured Eave – Open Wall – No Soffit

DRAWING NO.

TD22

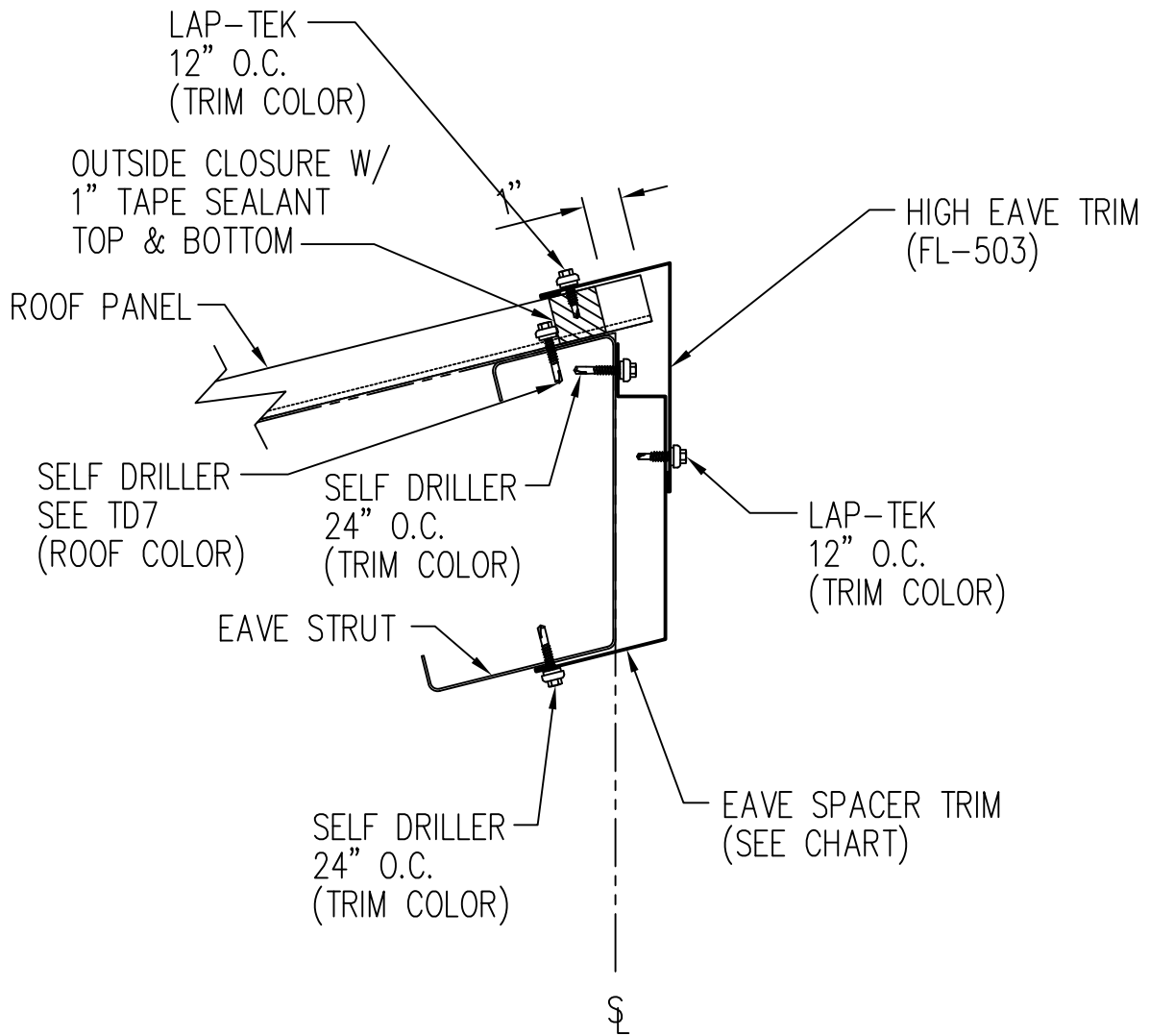


TRIM CHART	
PURLIN SIZE	PIECE MARK
8"	FL-241
10"	FL-500
12"	FL-500

High Eave Detail – PBR
 Sculptured Eave – Open Wall – With Soffit

DRAWING NO.

TD22

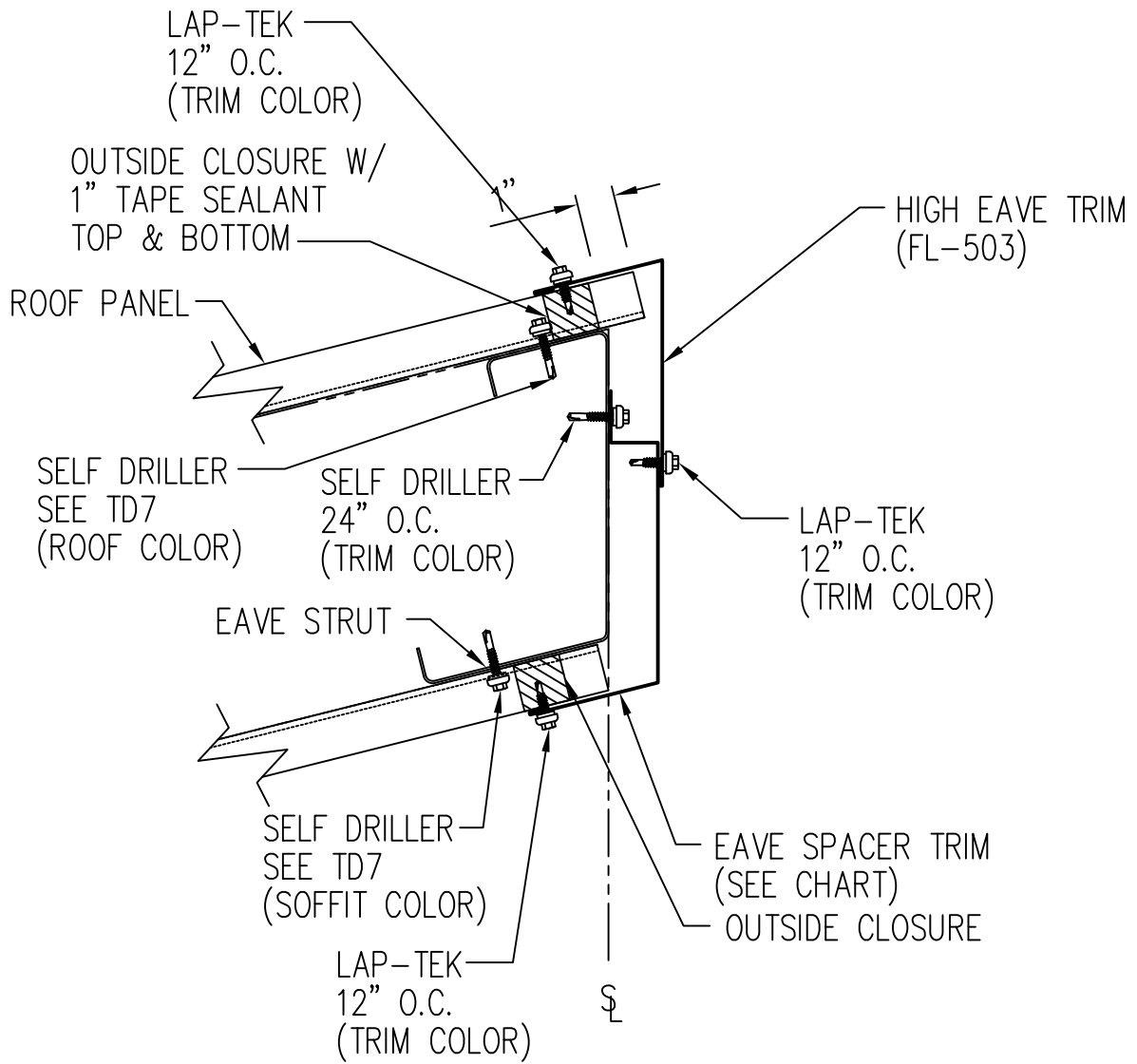


TRIM CHART	
PURLIN SIZE	PIECE MARK
8"	FL-241
10"	FL-241
12"	FL-500

High Eave Detail – PBR
 Sculptured Eave – Open Wall – With Soffit

DRAWING NO.

TD23



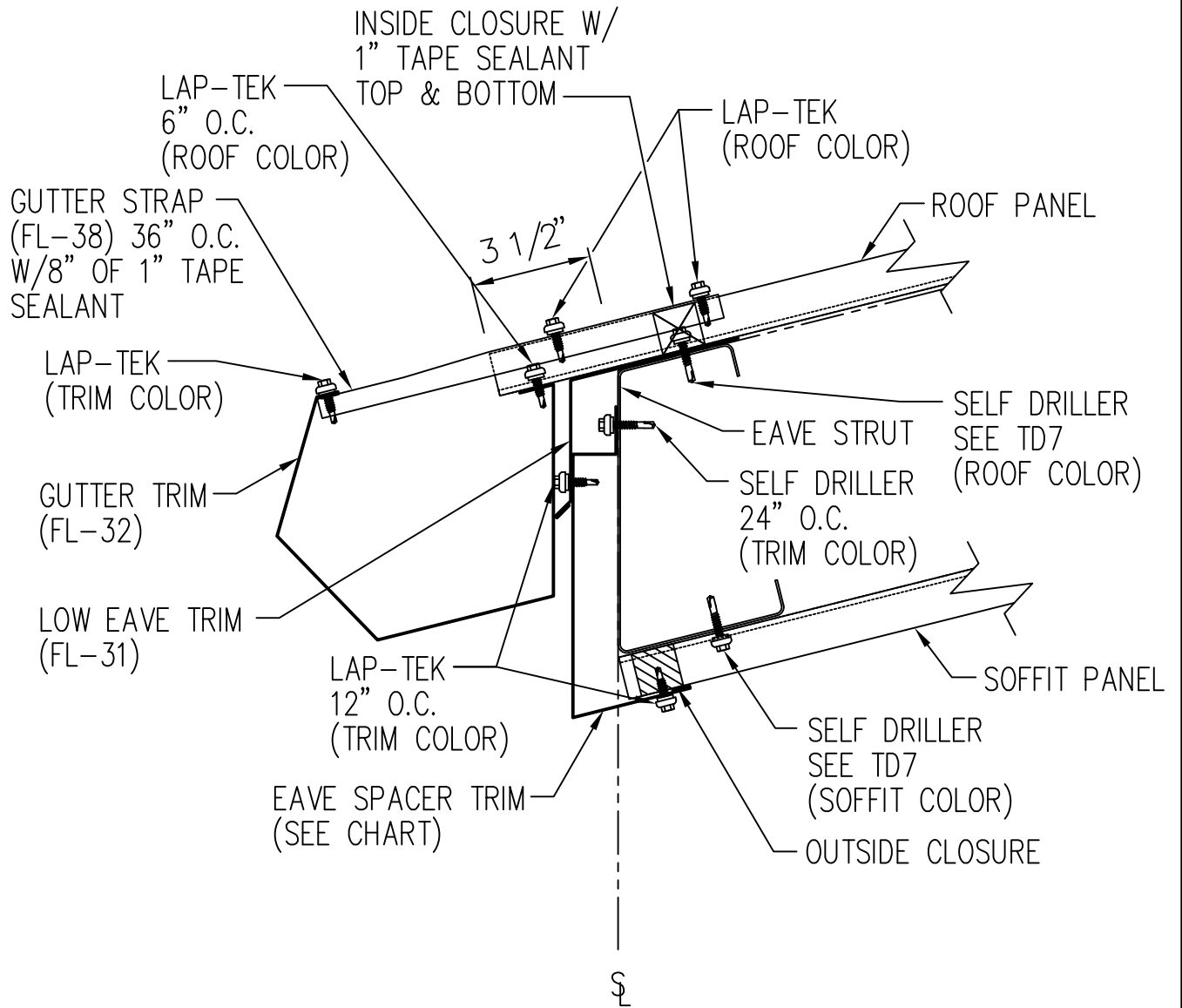
TRIM CHART	
PURLIN SIZE	PIECE MARK
8"	FL-241
10"	FL-500
12"	FL-500

High Eave Detail – PBR

Sculptured Eave – Open Wall – With Soffit

DRAWING NO.

TD23



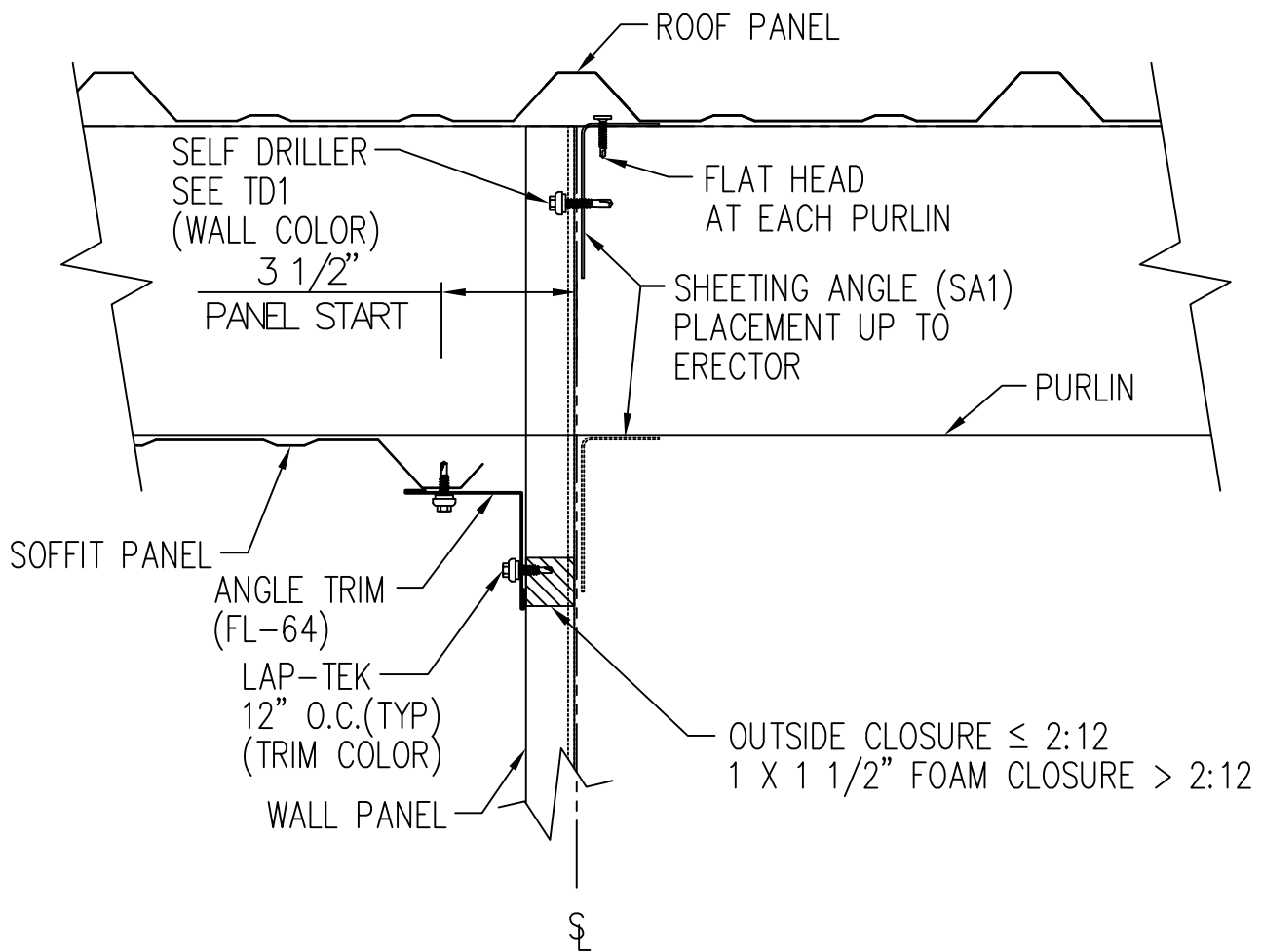
TRIM CHART	
PURLIN SIZE	PIECE MARK
8"	FL-500
10"	FL-500
12"	FL-500

Low Eave Gutter Detail – PBR

Sculptured Gutter – Open Wall – With Soffit

DRAWING NO.

TD26



NOTE: FIELD NOTCH WALL PANEL AROUND PURLINS AND EAVE STRUTS
 NOTE: FIELD SLOPE CUT WALL PANELS AS REQUIRED FOR ROOF SLOPE

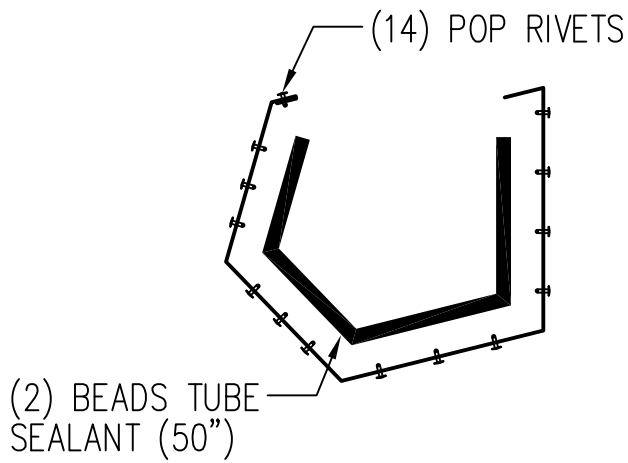
Rake Extension Detail at Building Line - PBR

Sheeted Wall - With Soffit

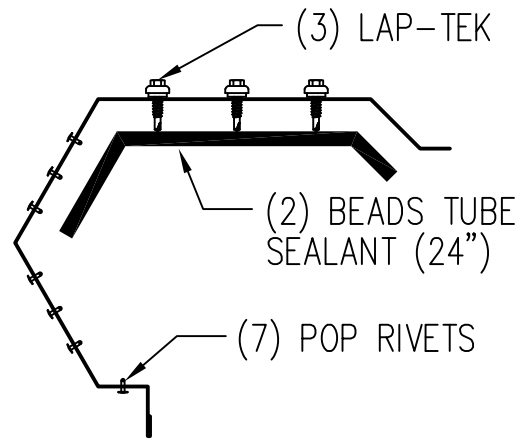
DRAWING NO.

TD70

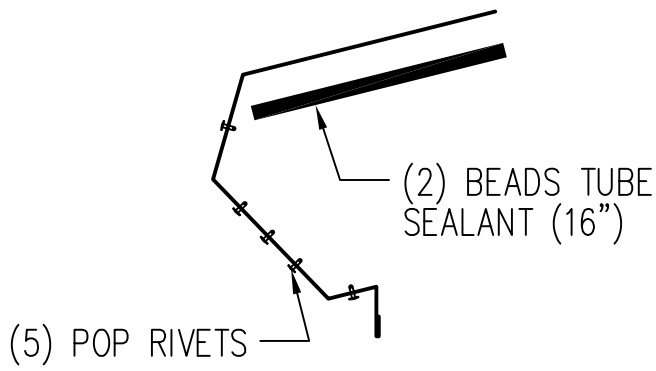
EAVE GUTTER



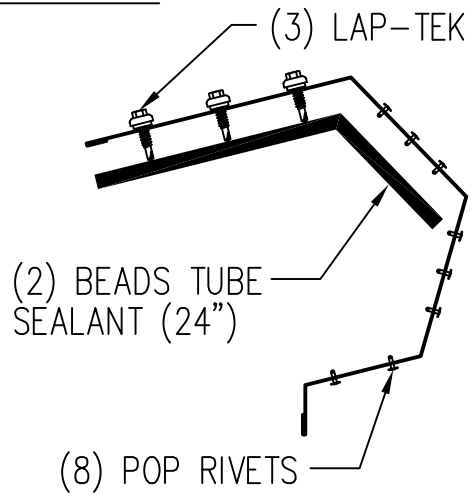
RAKE TRIM



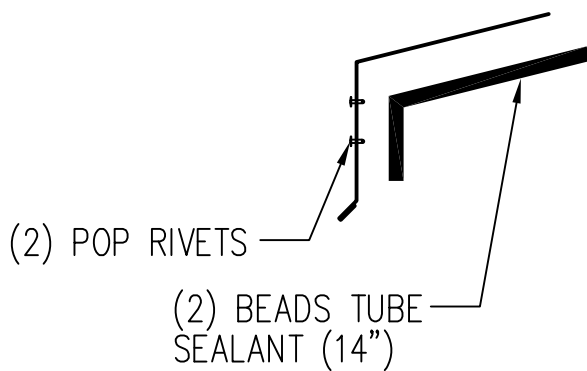
LOW EAVE TRIM



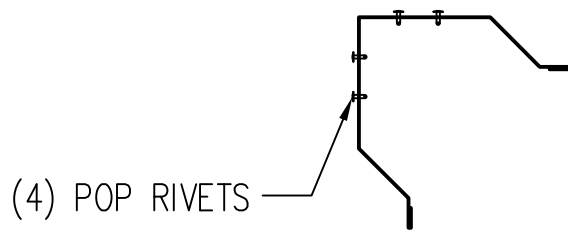
HIGH EAVE TRIM



LOW EAVE TRIM



CORNER TRIM

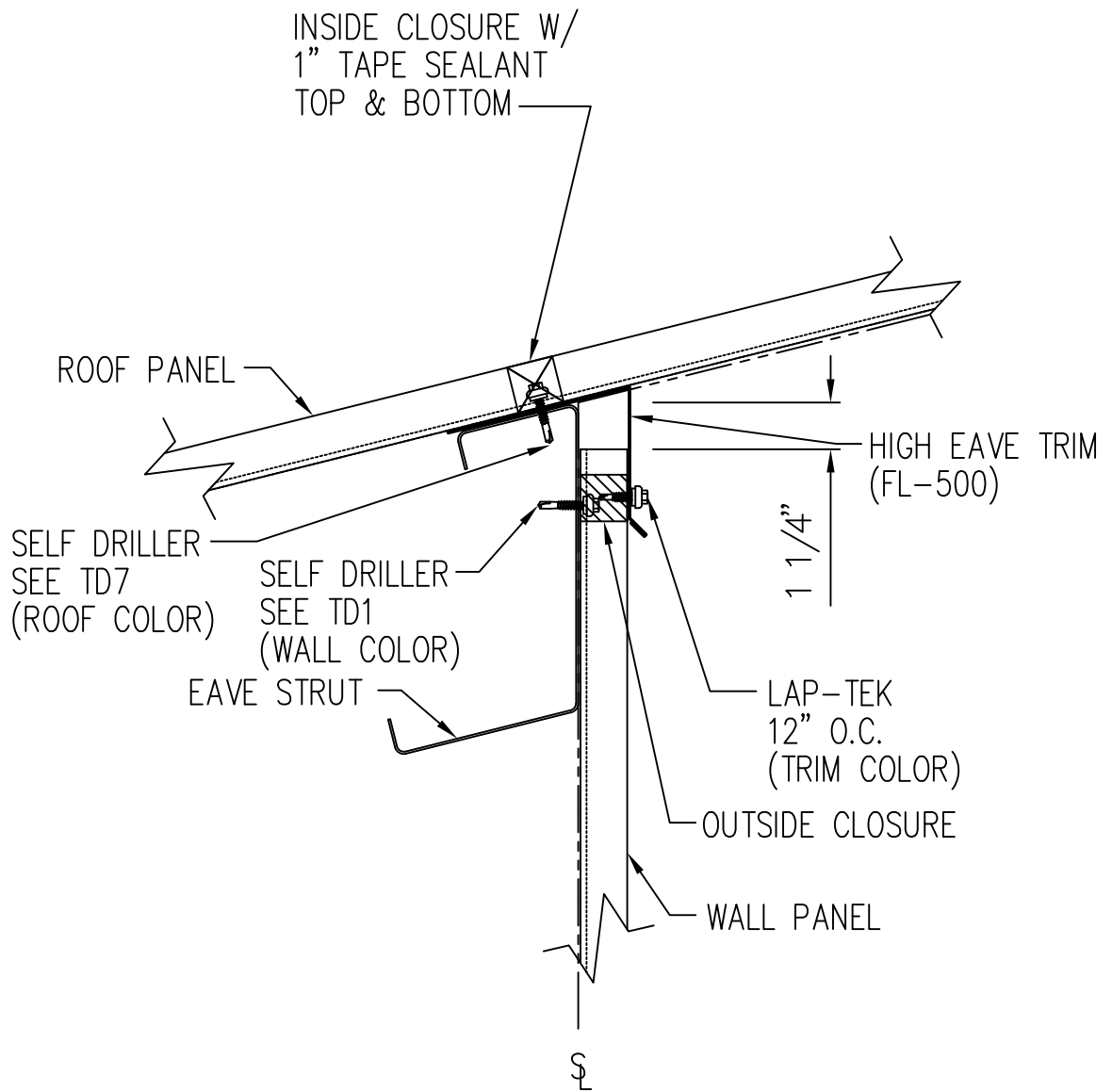


NOTE: TRIM PROFILES MAY VARY; 2" MIN. LAP UNLESS NOTED
NOTE: TUBE SEALANT (NOT BY G.A.B.)

Trim Laps - PBR Sculptured

DRAWING NO.

TD85

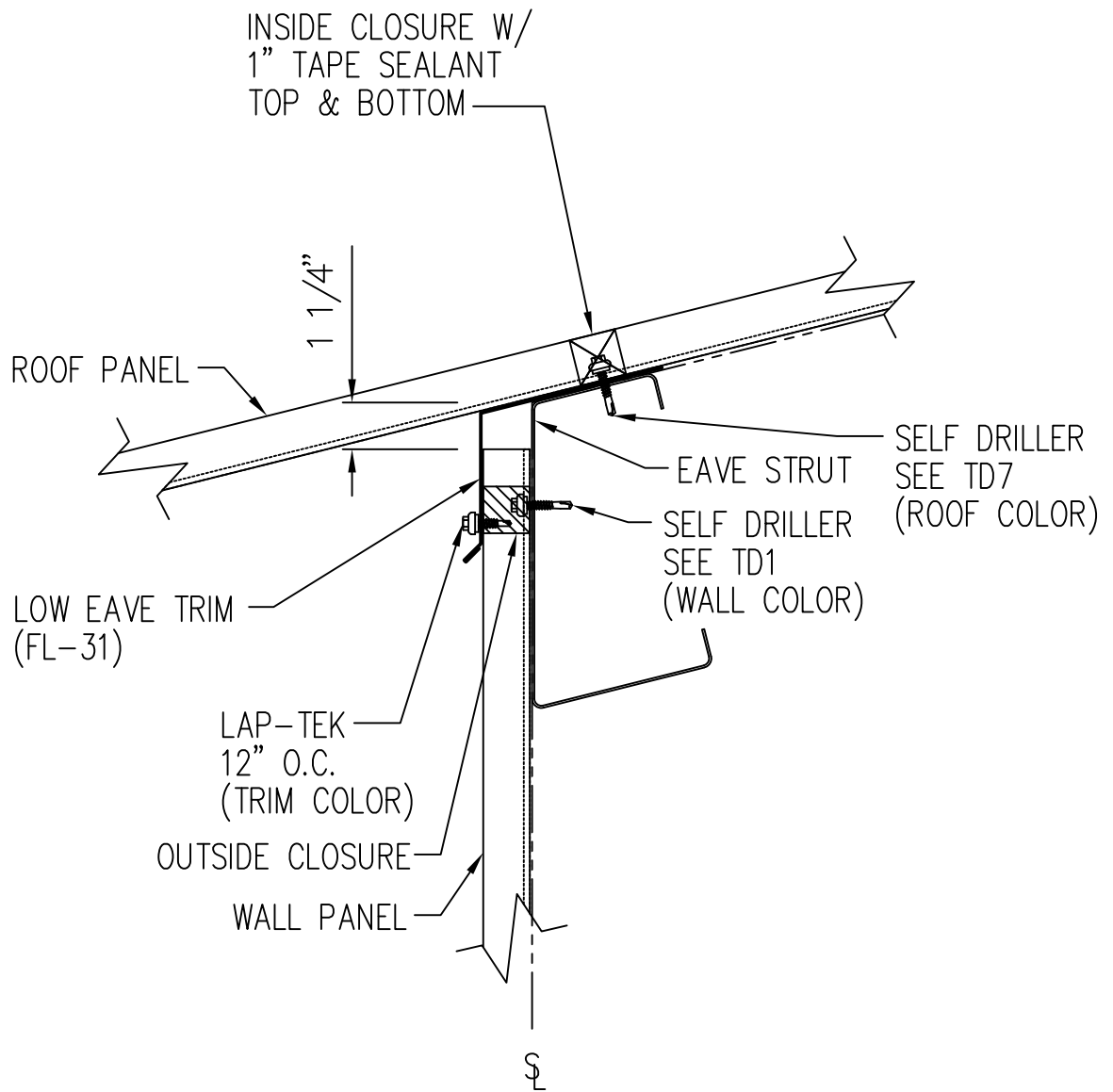


High Eave Extension Detail at Building Line - PBR

Flat Eave - Sheeted Wall - No Soffit

DRAWING NO.

TD235

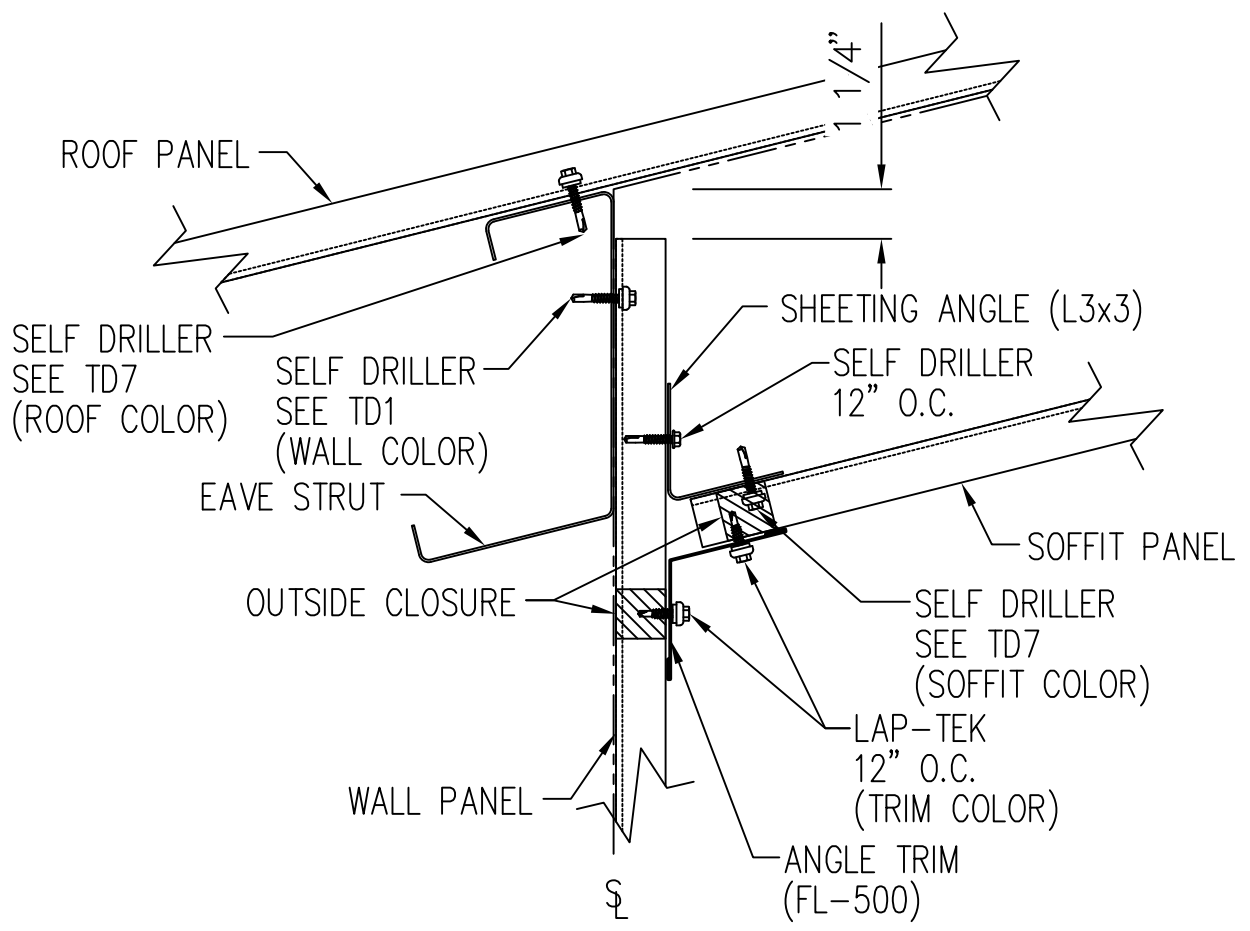


Low Eave Extension Detail at Building Line - PBR

Flat Eave - Sheeted Wall - No Soffit

DRAWING NO.

TD235

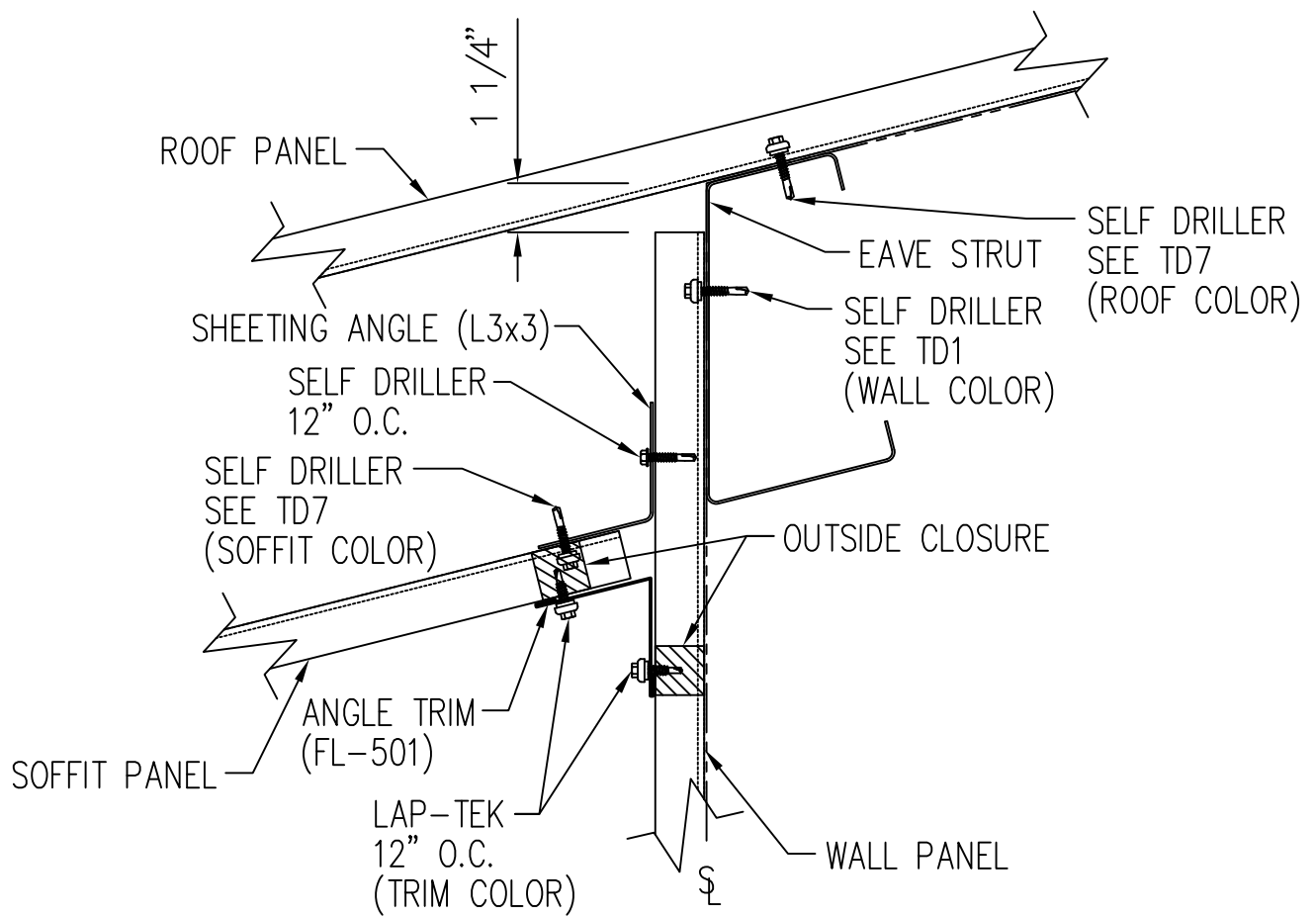


High Eave Extension Detail at Building Line - PBR

Flat Eave - Sheeted Wall - With Soffit

DRAWING NO.

TD236



Low Eave Extension Detail at Building Line - PBR

Flat Eave - Sheeted Wall - With Soffit

DRAWING NO.

TD236