

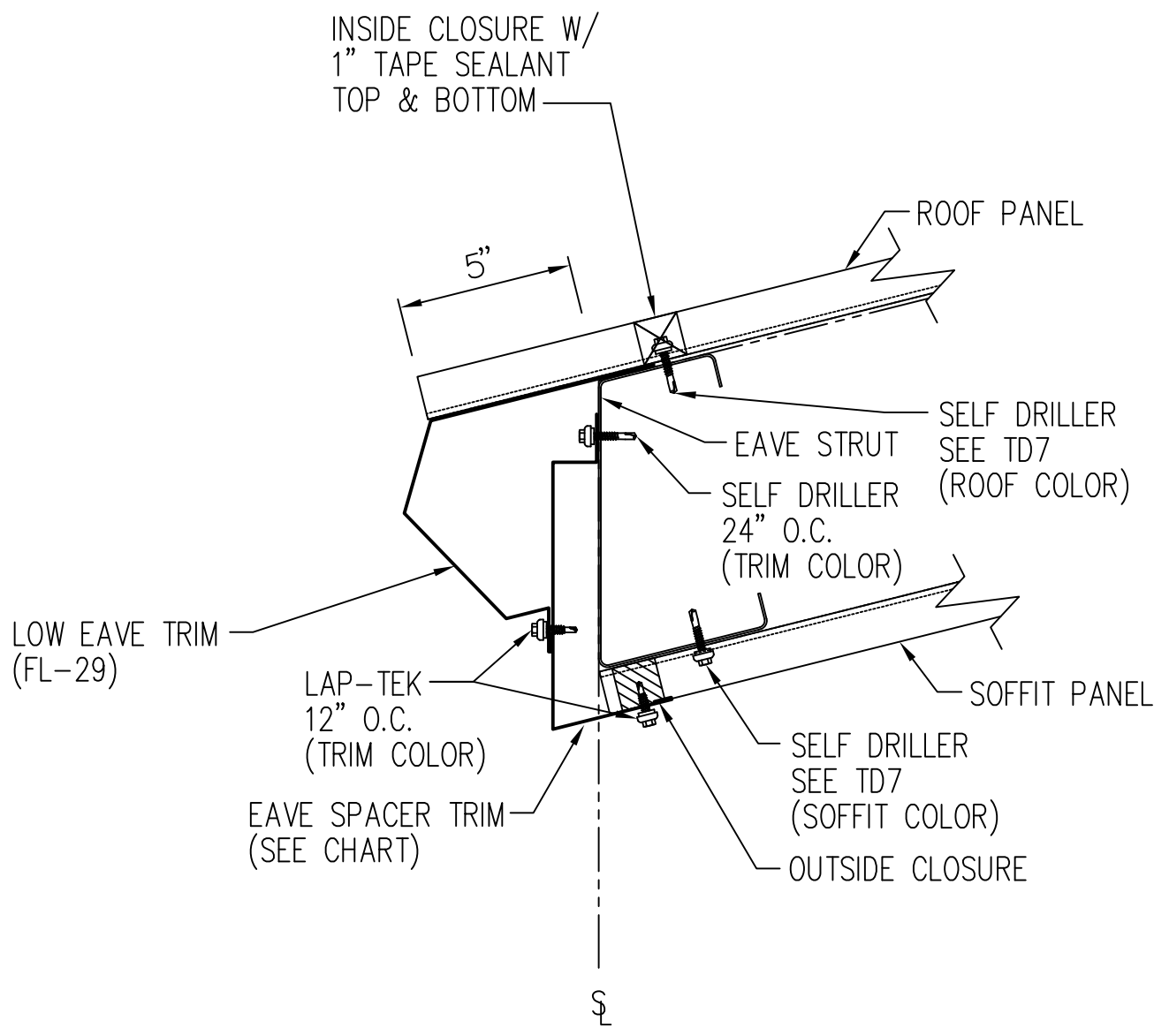
TRIM CHART	
PURLIN SIZE	PIECE MARK
8"	FL-80
10"	FL-80
12"	FL-500

Low Eave Detail – PBR

Sculptured Eave – Open Wall – No Soffit

DRAWING NO.

TD20



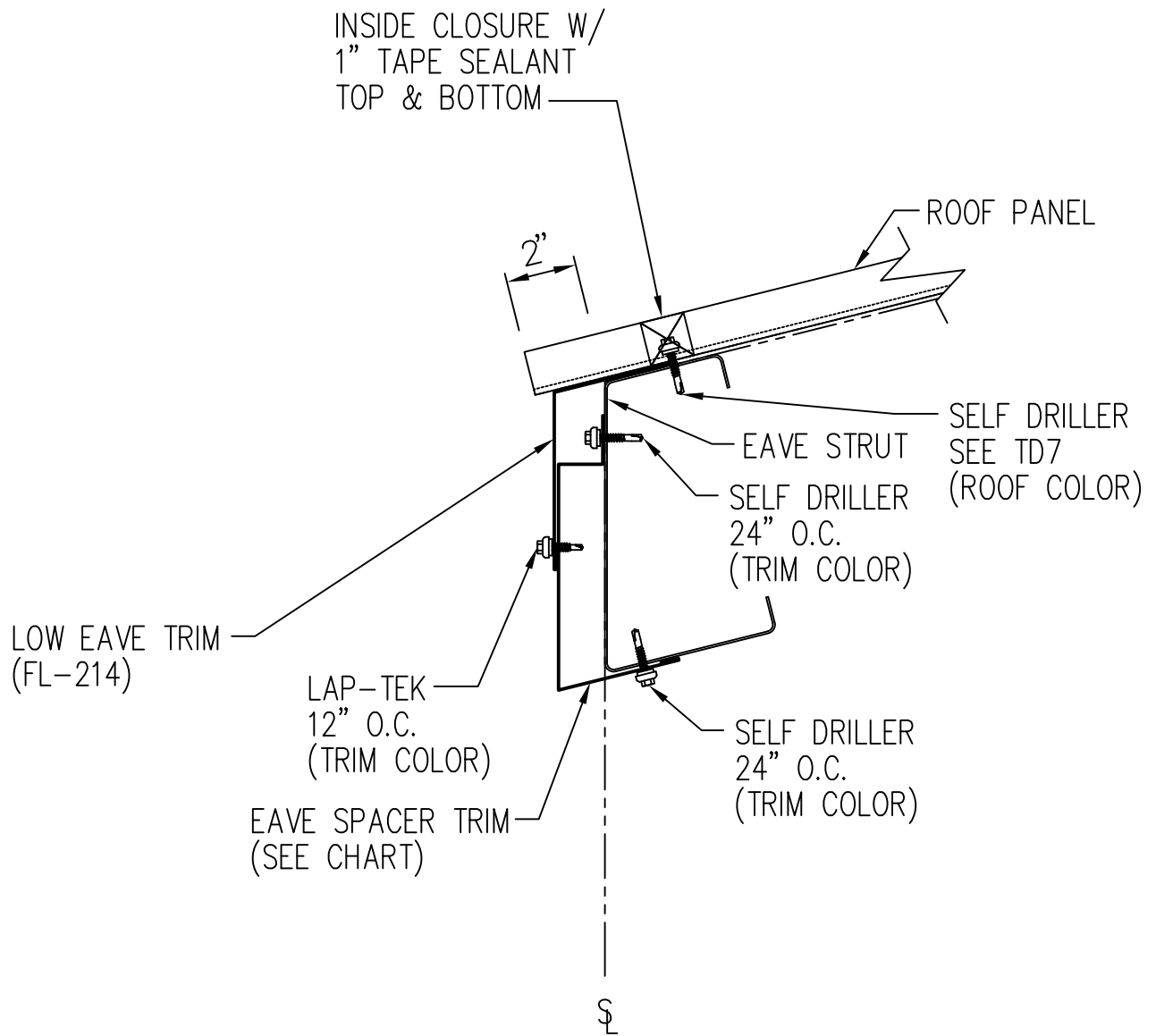
TRIM CHART	
PURLIN SIZE	PIECE MARK
8"	FL-500
10"	FL-500
12"	FL-500

Low Eave Detail – PBR

Sculptured Eave – Open Wall – With Soffit

DRAWING NO.

TD20

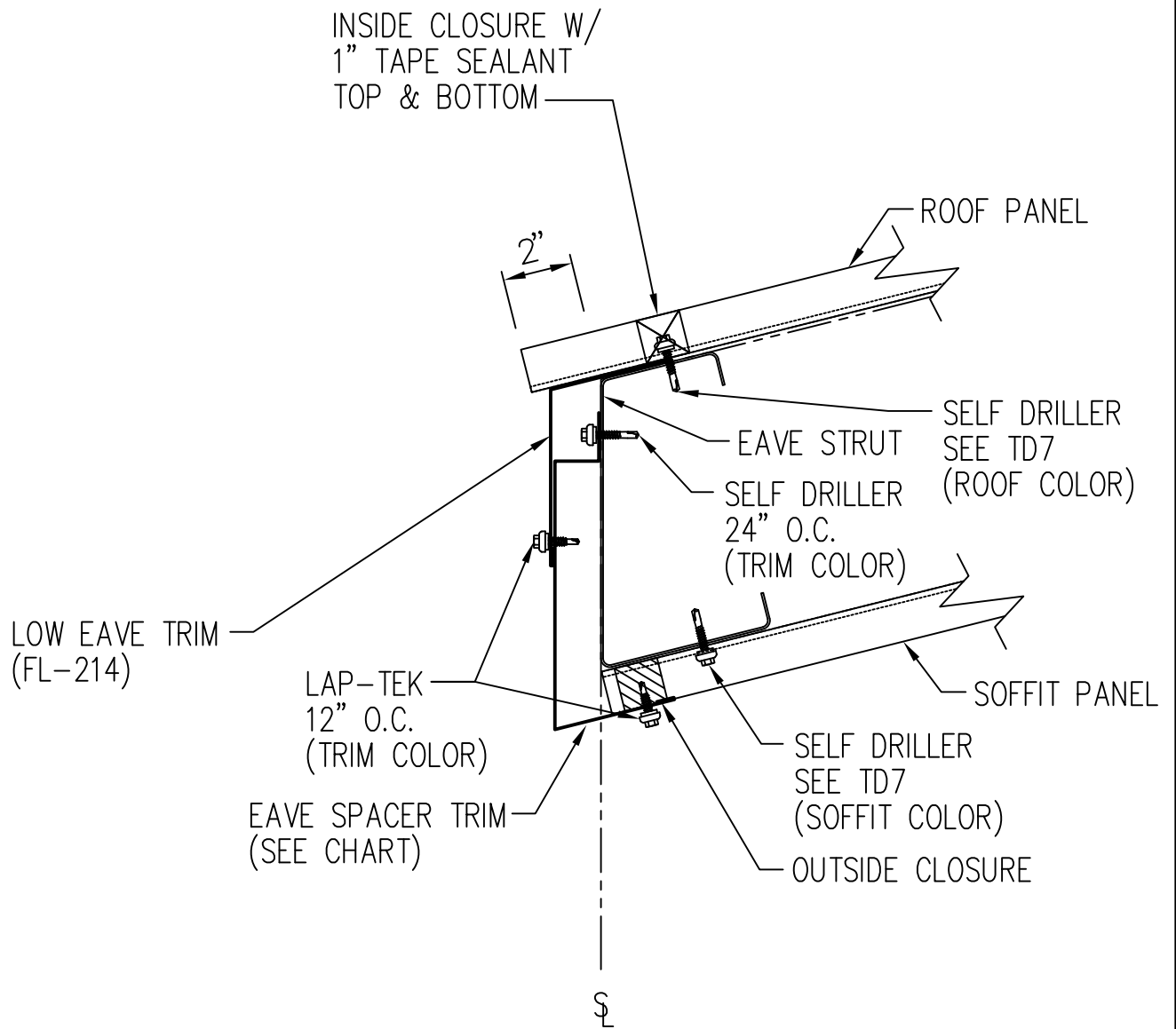


TRIM CHART	
PURLIN SIZE	PIECE MARK
8"	FL-80
10"	FL-80
12"	FL-500

Low Eave Detail – PBR
Simple Eave – Open Wall – No Soffit

DRAWING NO.

TD21



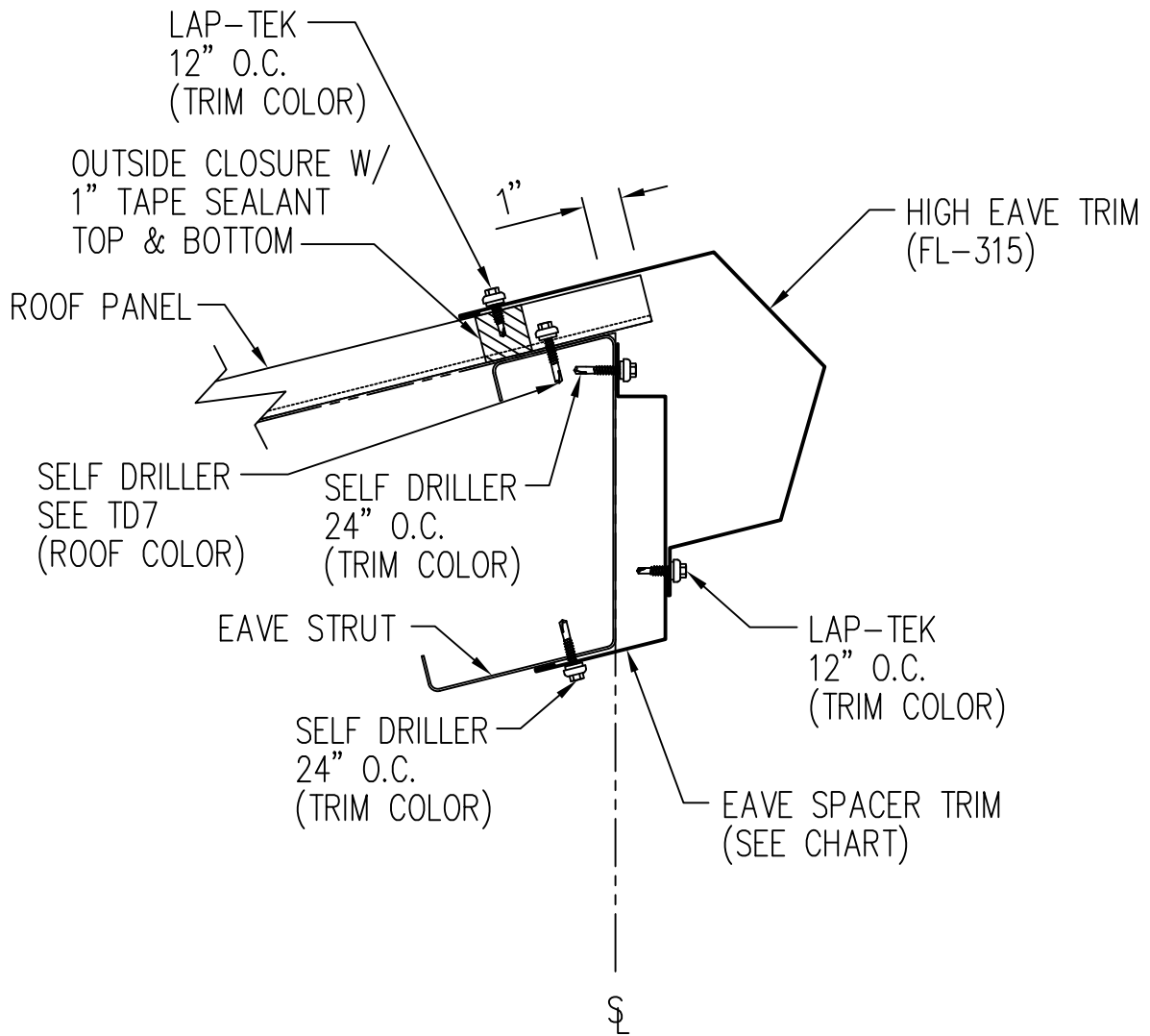
TRIM CHART	
PURLIN SIZE	PIECE MARK
8"	FL-500
10"	FL-500
12"	FL-500

Low Eave Detail – PBR

Simple Eave – Open Wall – With Soffit

DRAWING NO.

TD21



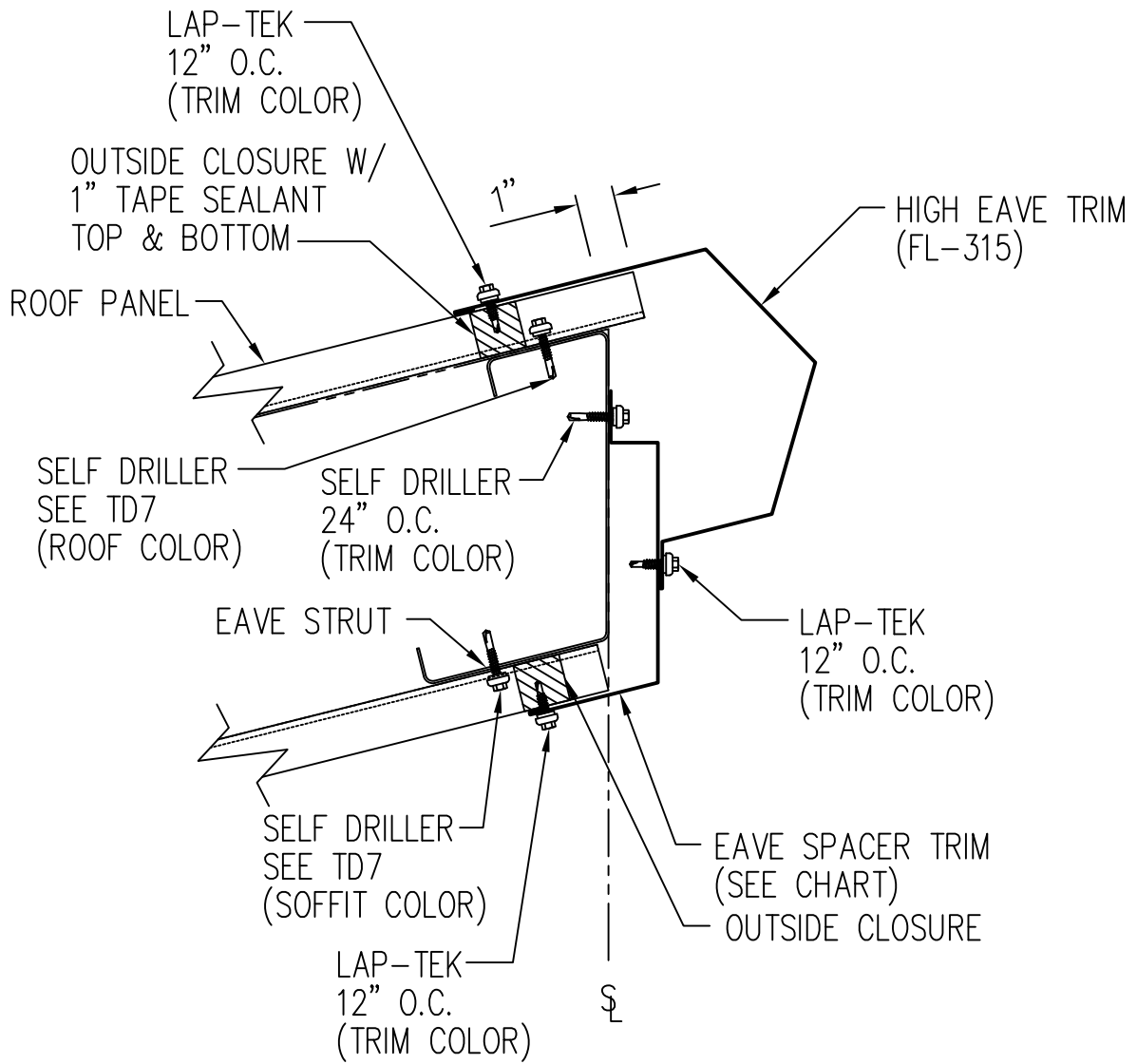
TRIM CHART	
PURLIN SIZE	PIECE MARK
8"	FL-241
10"	FL-241
12"	FL-500

High Eave Detail – PBR

Sculptured Eave – Open Wall – No Soffit

DRAWING NO.

TD22

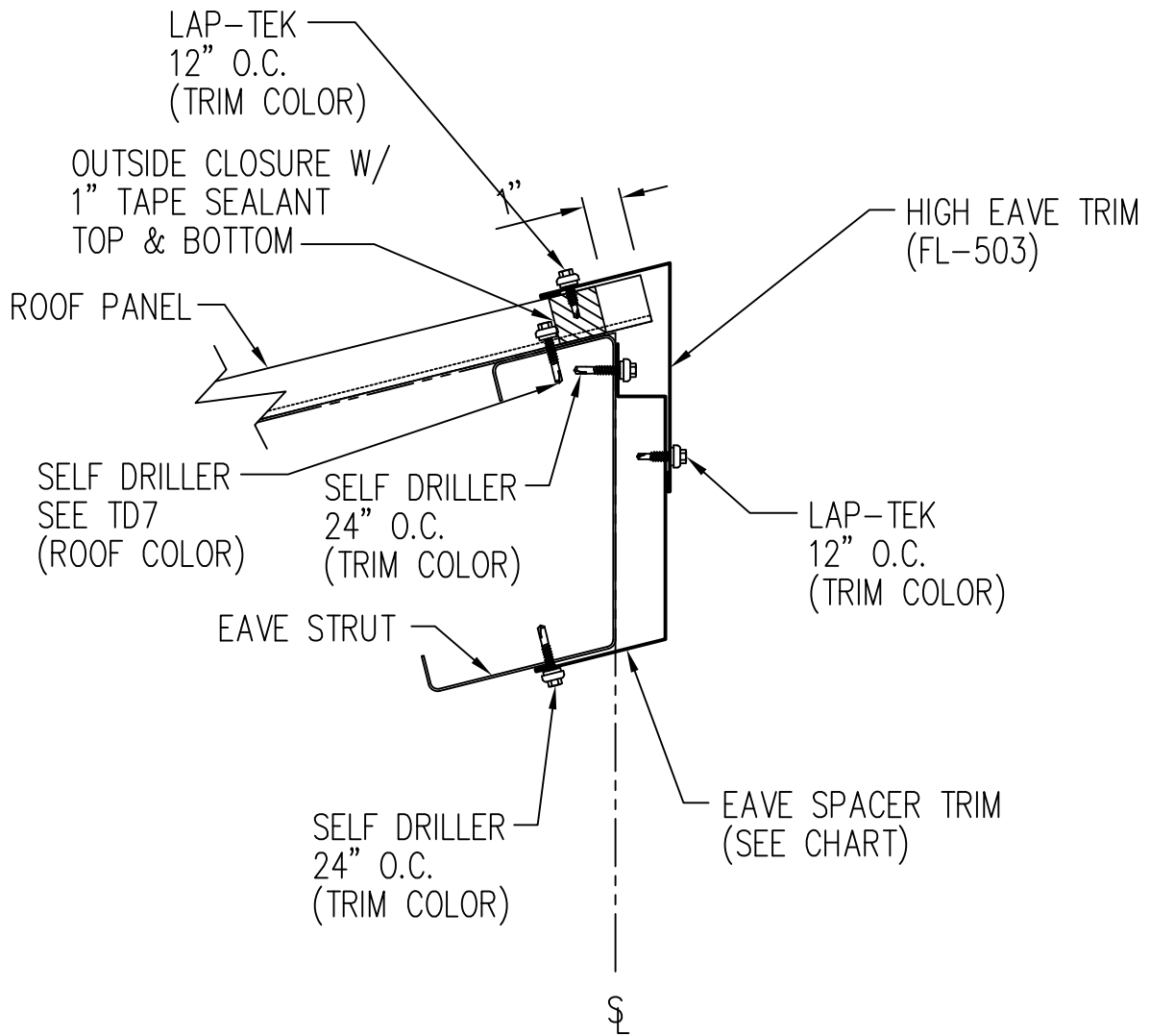


TRIM CHART	
PURLIN SIZE	PIECE MARK
8"	FL-241
10"	FL-500
12"	FL-500

High Eave Detail – PBR
 Sculptured Eave – Open Wall – With Soffit

DRAWING NO.

TD22

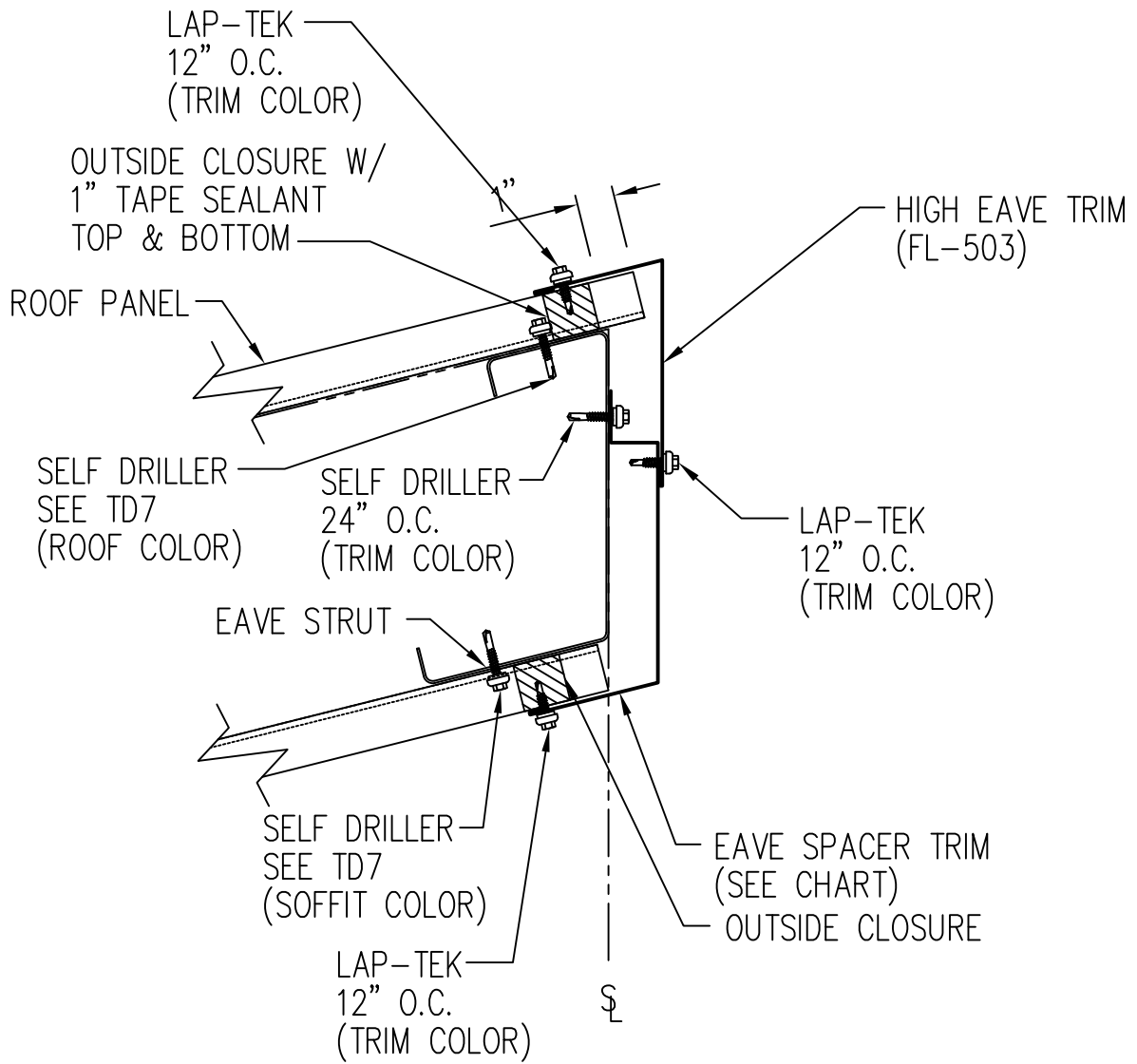


TRIM CHART	
PURLIN SIZE	PIECE MARK
8"	FL-241
10"	FL-241
12"	FL-500

High Eave Detail – PBR
 Sculptured Eave – Open Wall – With Soffit

DRAWING NO.

TD23



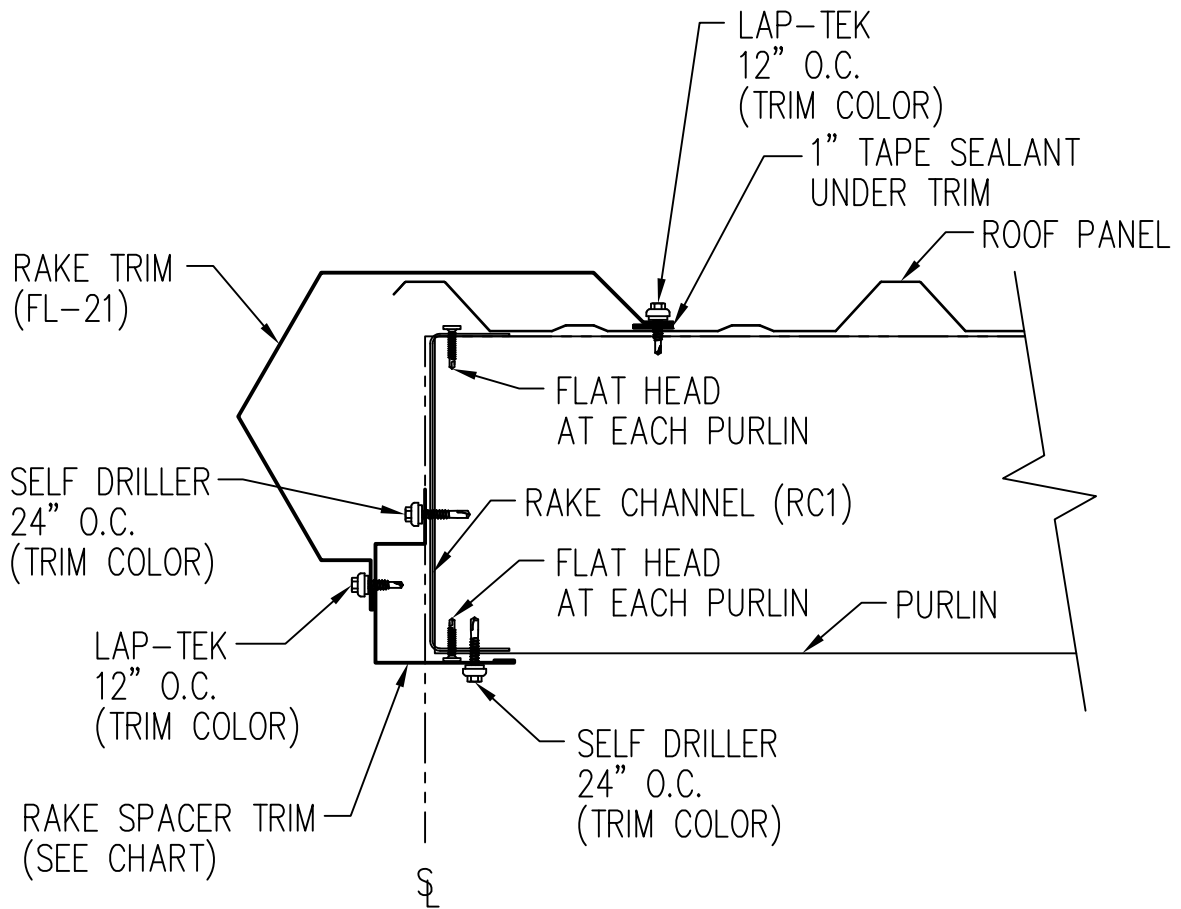
TRIM CHART	
PURLIN SIZE	PIECE MARK
8"	FL-241
10"	FL-500
12"	FL-500

High Eave Detail – PBR

Sculptured Eave – Open Wall – With Soffit

DRAWING NO.

TD23



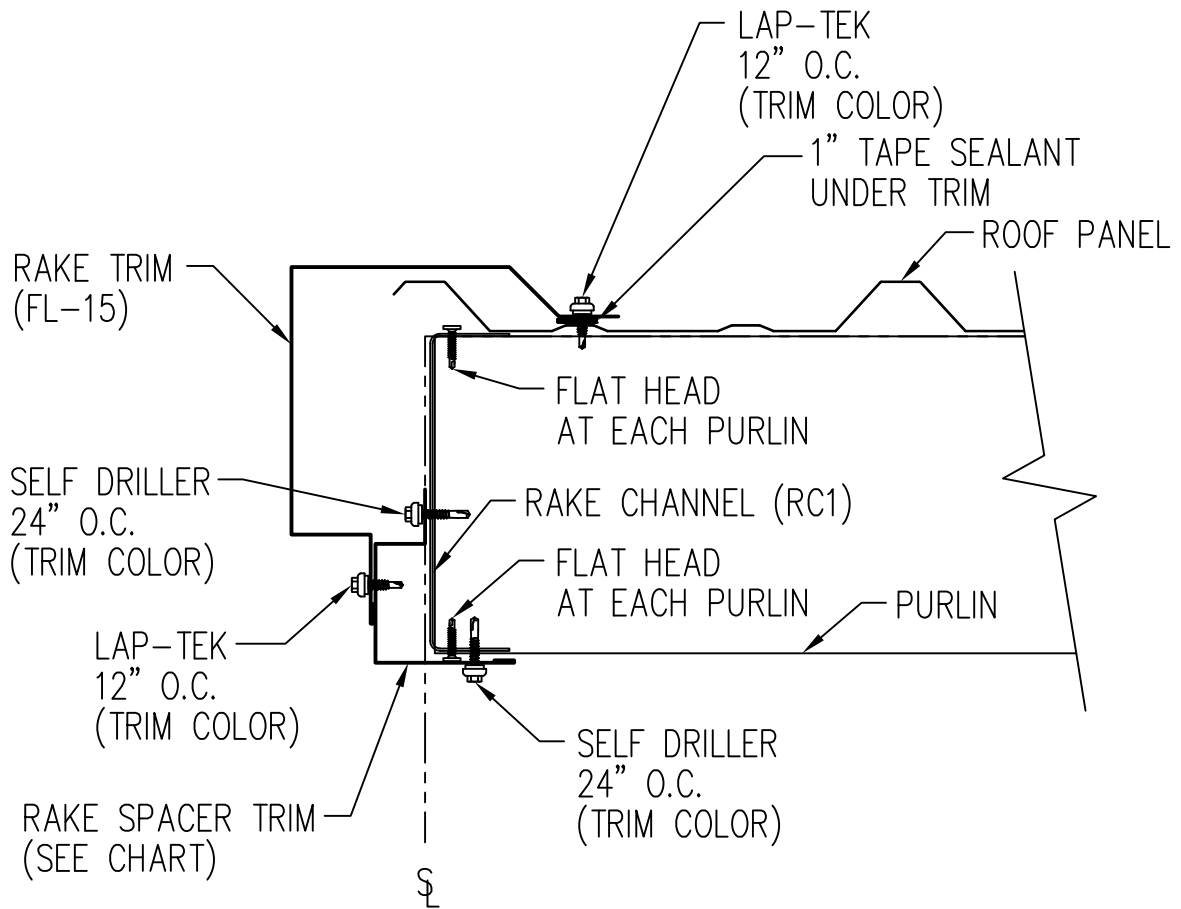
TRIM CHART	
PURLIN SIZE	PIECE MARK
8"	FL-78
10"	FL-365
12"	FL-366

Rake Detail – PBR

Sculptured Rake – Open Wall – No Soffit

DRAWING NO.

TD24



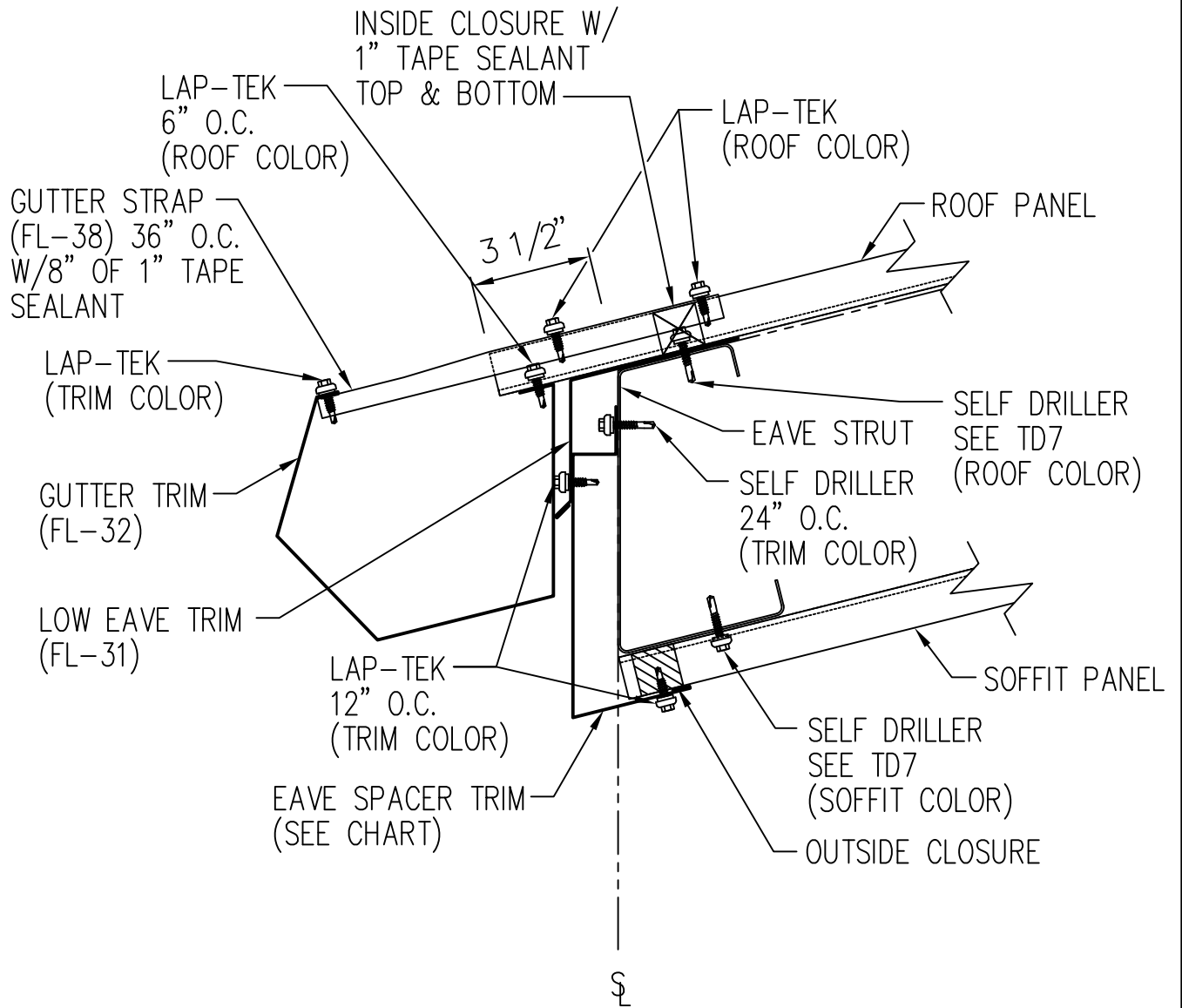
TRIM CHART	
PURLIN SIZE	PIECE MARK
8"	FL-78
10"	FL-365
12"	FL-366

Rake Detail – PBR

Box Rake – Open Wall – No Soffit

DRAWING NO.

TD25



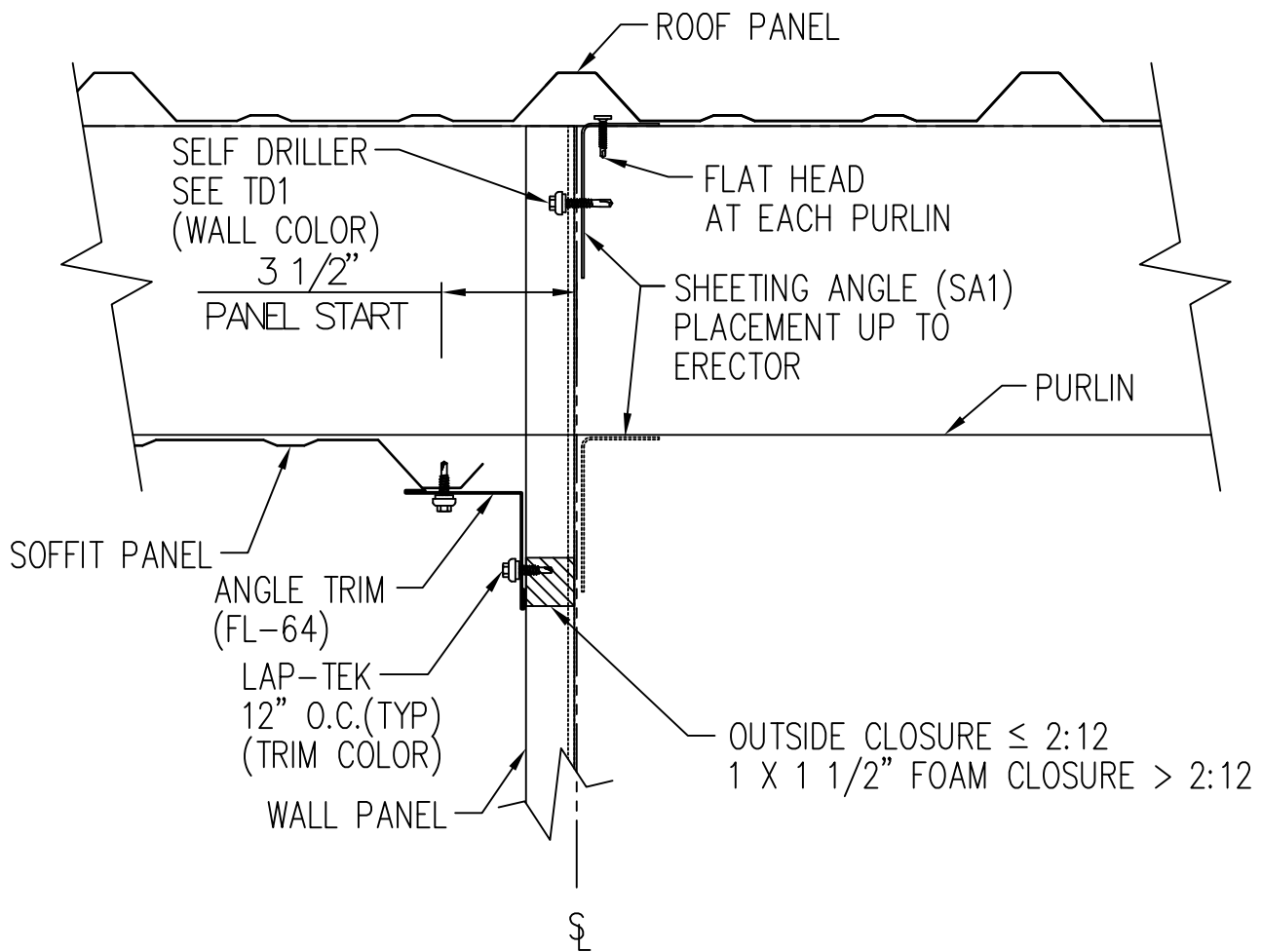
TRIM CHART	
PURLIN SIZE	PIECE MARK
8"	FL-500
10"	FL-500
12"	FL-500

Low Eave Gutter Detail – PBR

Sculptured Gutter – Open Wall – With Soffit

DRAWING NO.

TD26



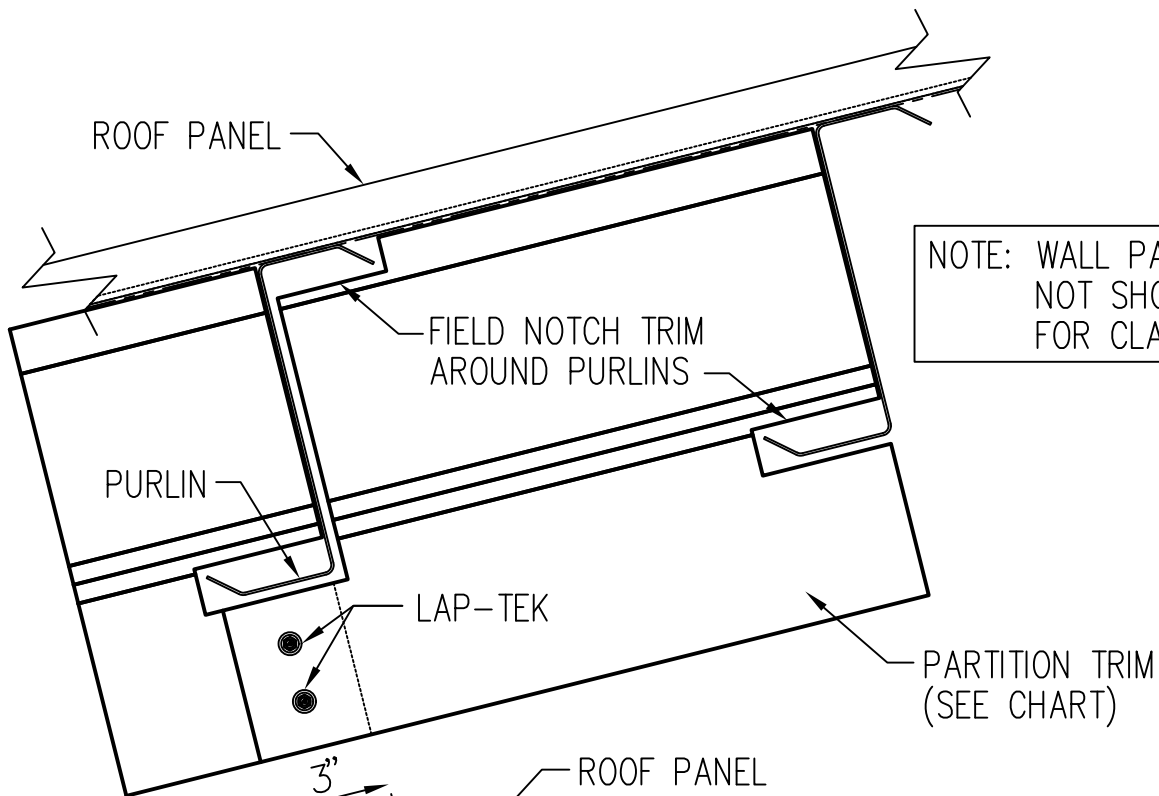
NOTE: FIELD NOTCH WALL PANEL AROUND PURLINS AND EAVE STRUTS
NOTE: FIELD SLOPE CUT WALL PANELS AS REQUIRED FOR ROOF SLOPE

Rake Extension Detail at Building Line - PBR

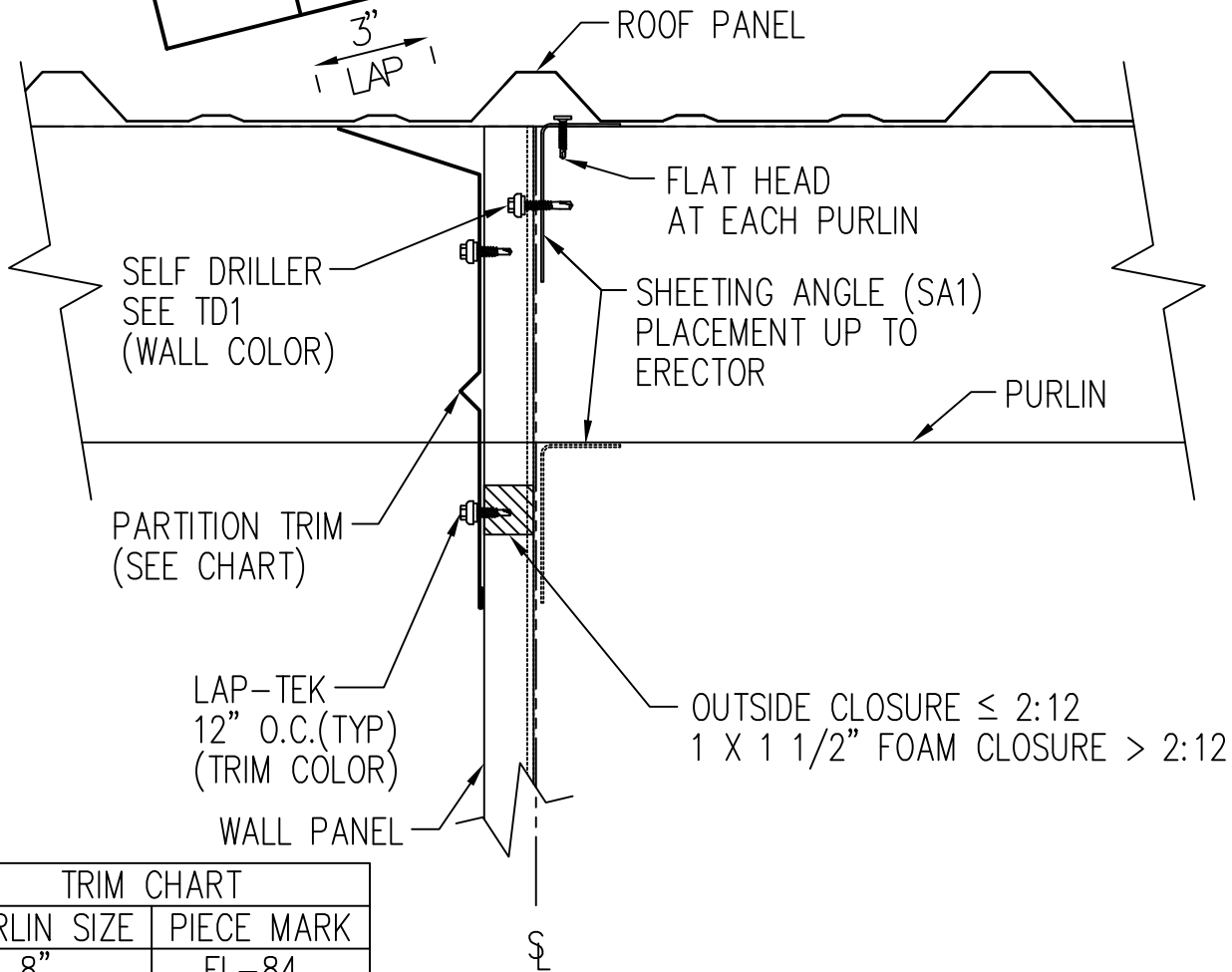
Sheeted Wall - With Soffit

DRAWING NO.

TD70



NOTE: WALL PANEL NOT SHOWN FOR CLARITY



TRIM CHART	
PURLIN SIZE	PIECE MARK
8"	FL-84
10"	FL-285
12"	FL-500

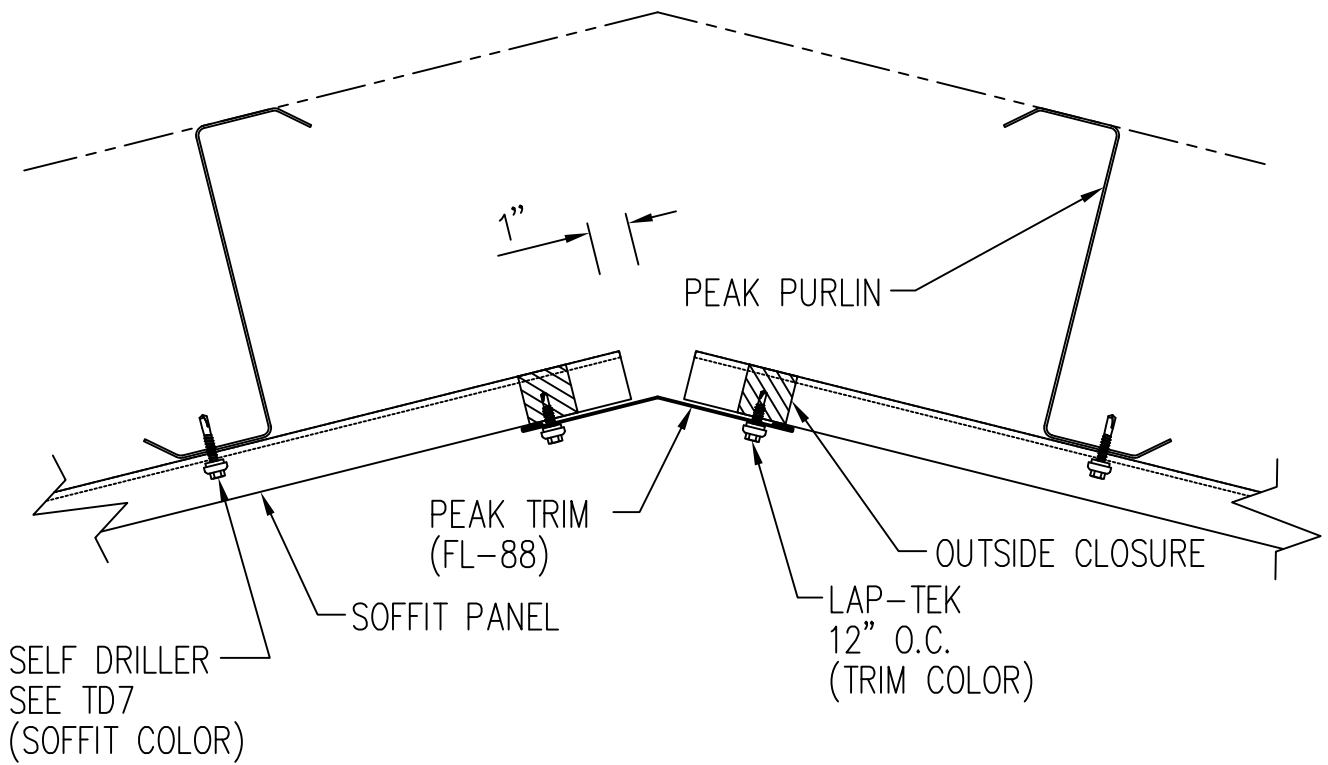
NOTE: FIELD SLOPE CUT WALL PANELS AS REQUIRED FOR ROOF SLOPE

Rake Extension Detail at Building Line - PBR

Sheeted Wall - No Soffit

DRAWING NO.

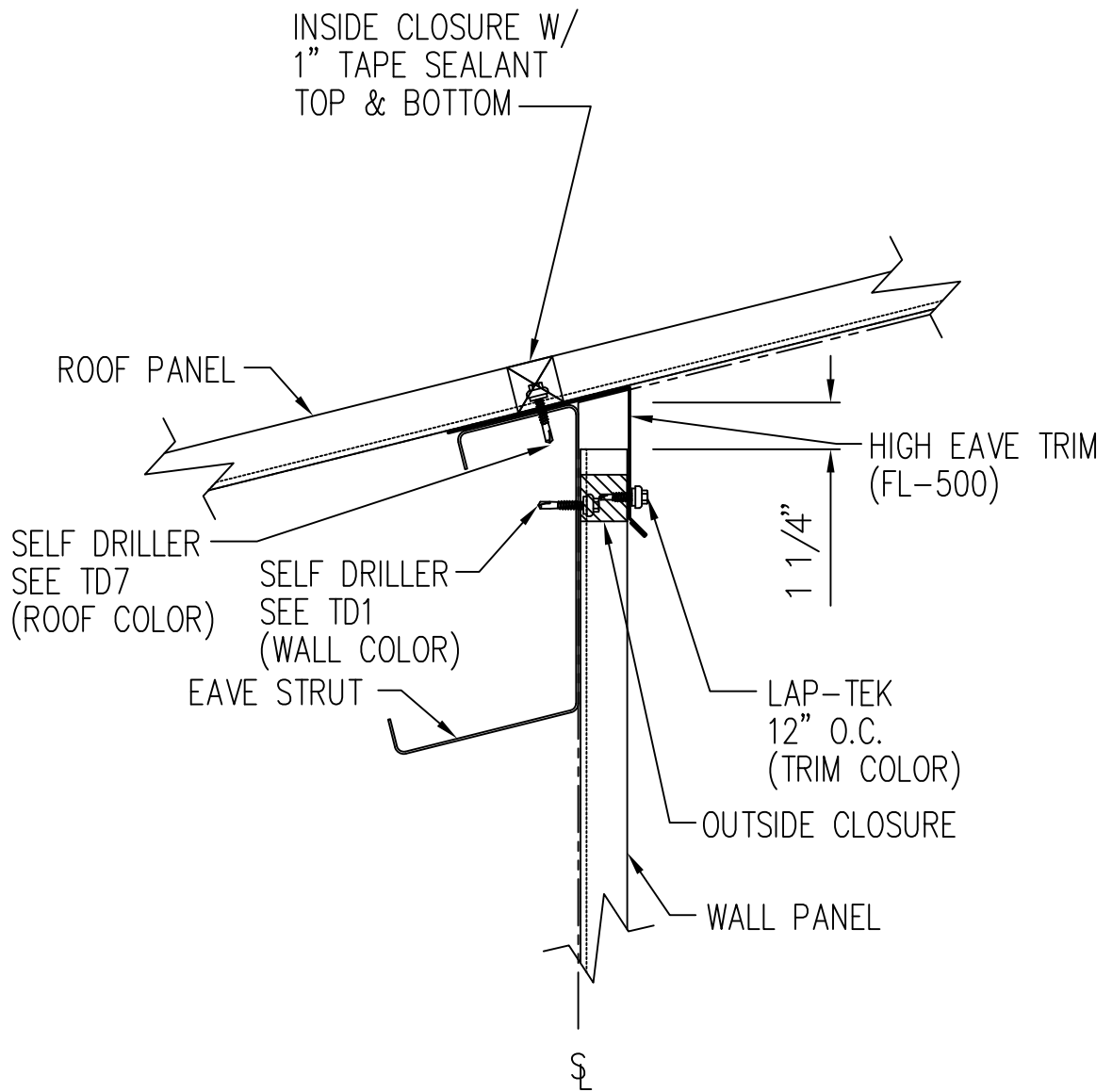
TD71



Flat Ridge Detail – PBR
With Soffit

DRAWING NO.

TD72

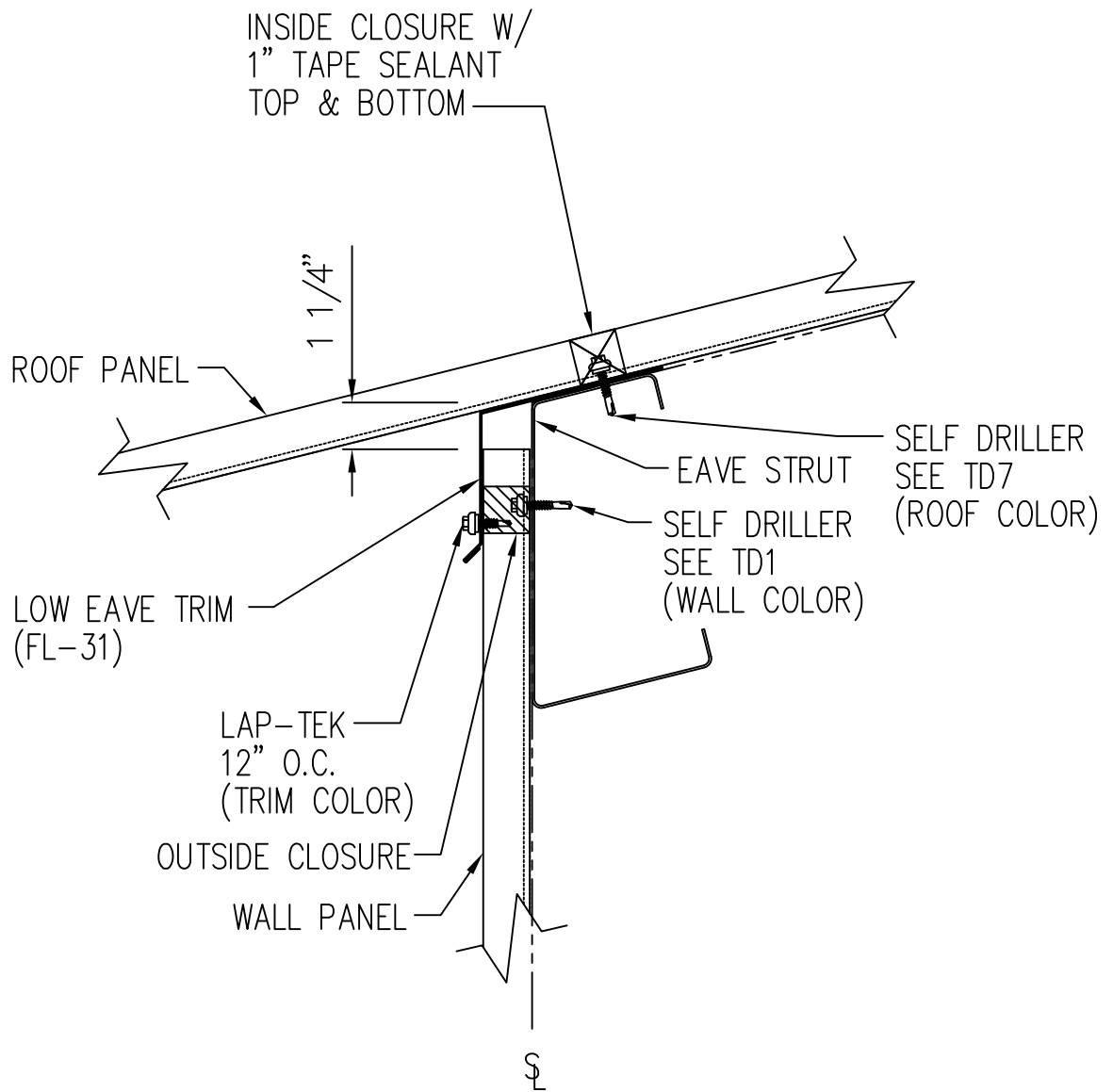


High Eave Extension Detail at Building Line - PBR

Flat Eave - Sheeted Wall - No Soffit

DRAWING NO.

TD235

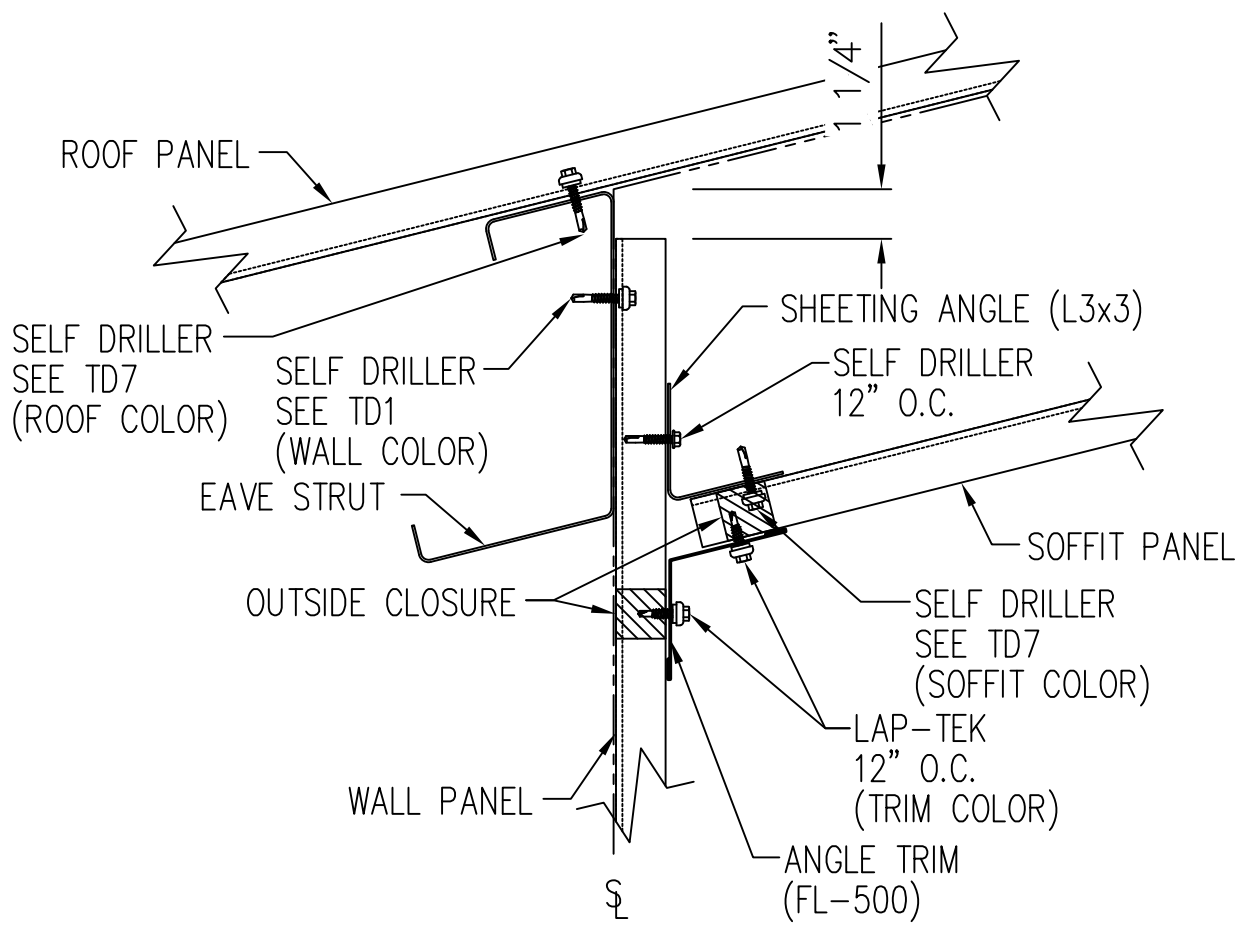


Low Eave Extension Detail at Building Line - PBR

Flat Eave - Sheeted Wall - No Soffit

DRAWING NO.

TD235

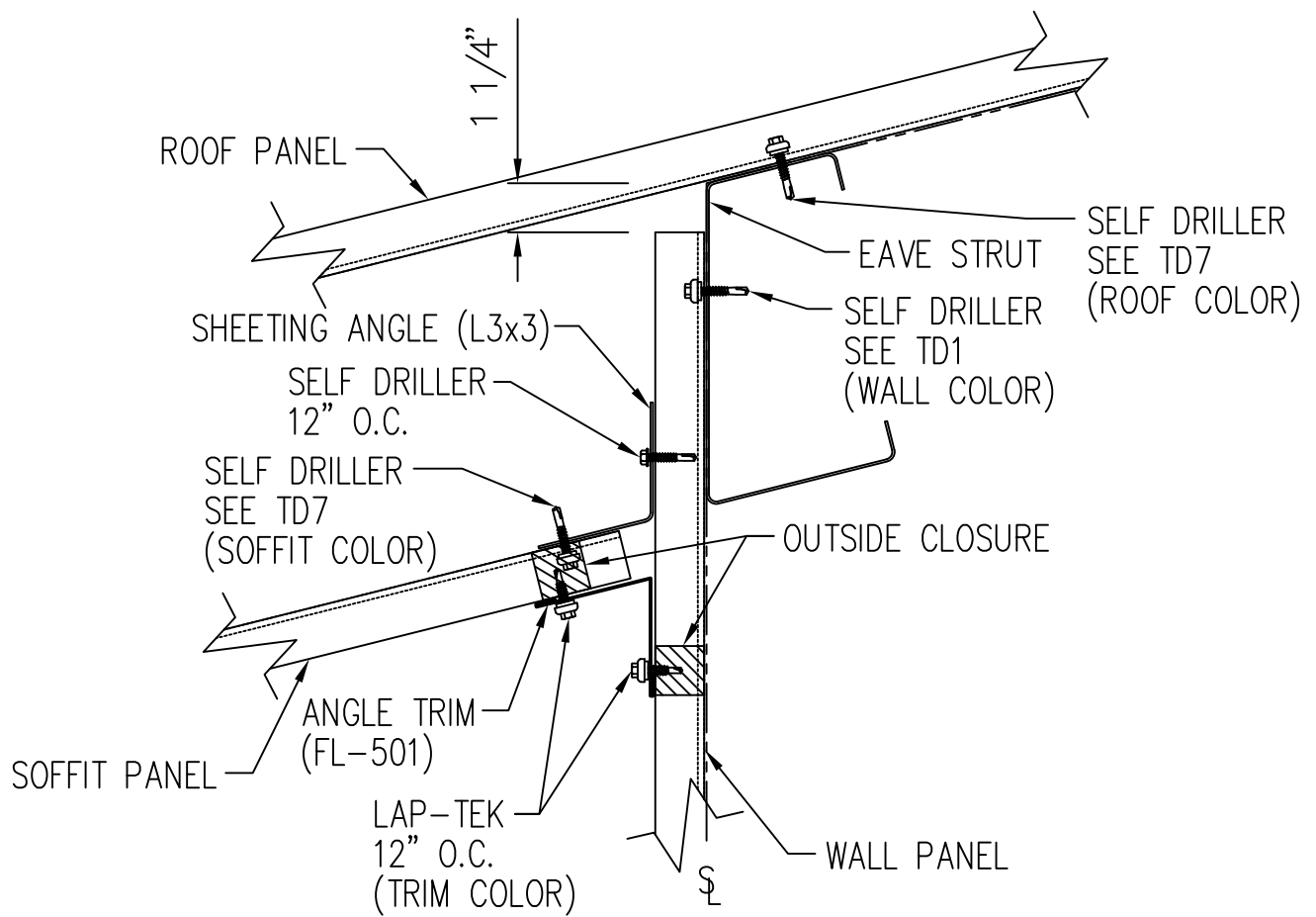


High Eave Extension Detail at Building Line - PBR

Flat Eave - Sheeted Wall - With Soffit

DRAWING NO.

TD236

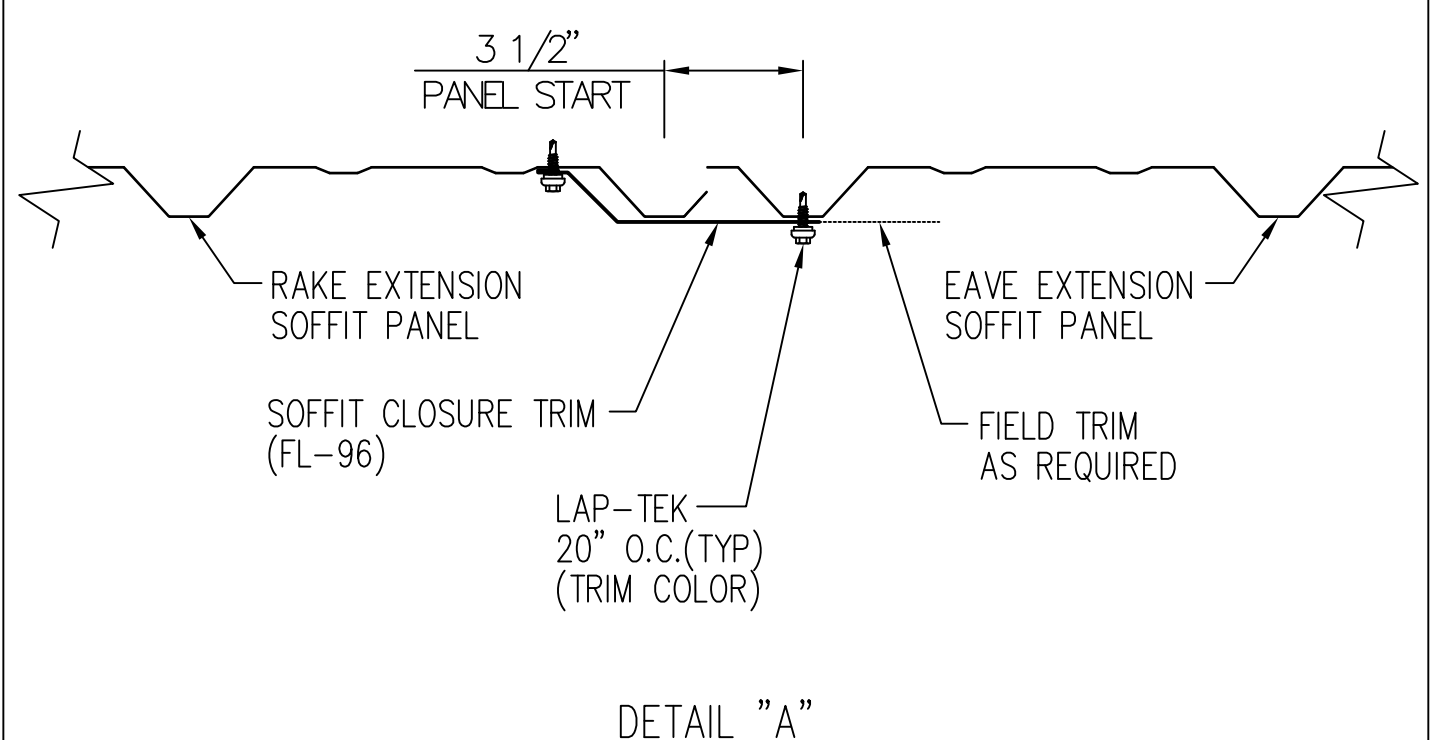
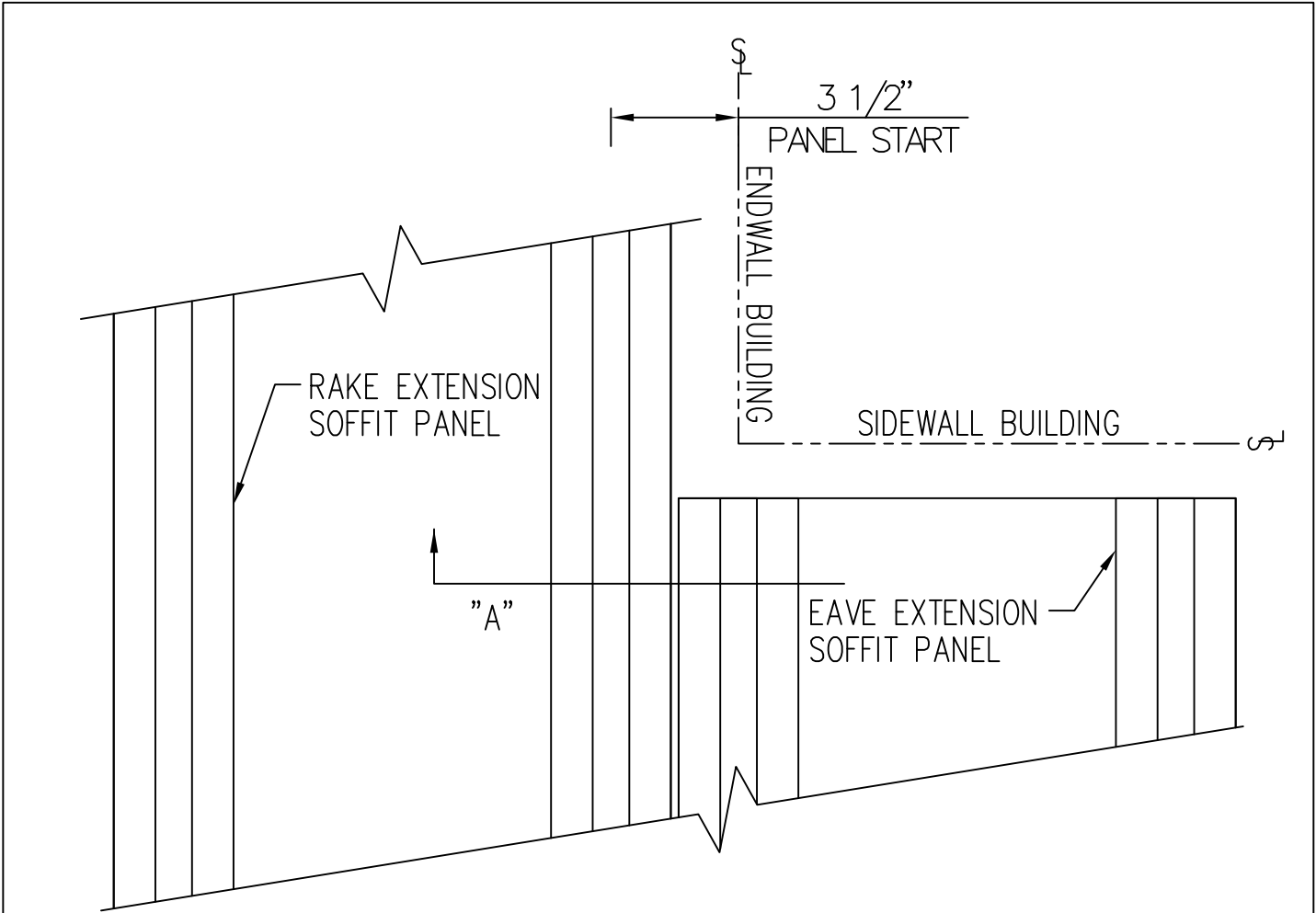


Low Eave Extension Detail at Building Line - PBR

Flat Eave - Sheeted Wall - With Soffit

DRAWING NO.

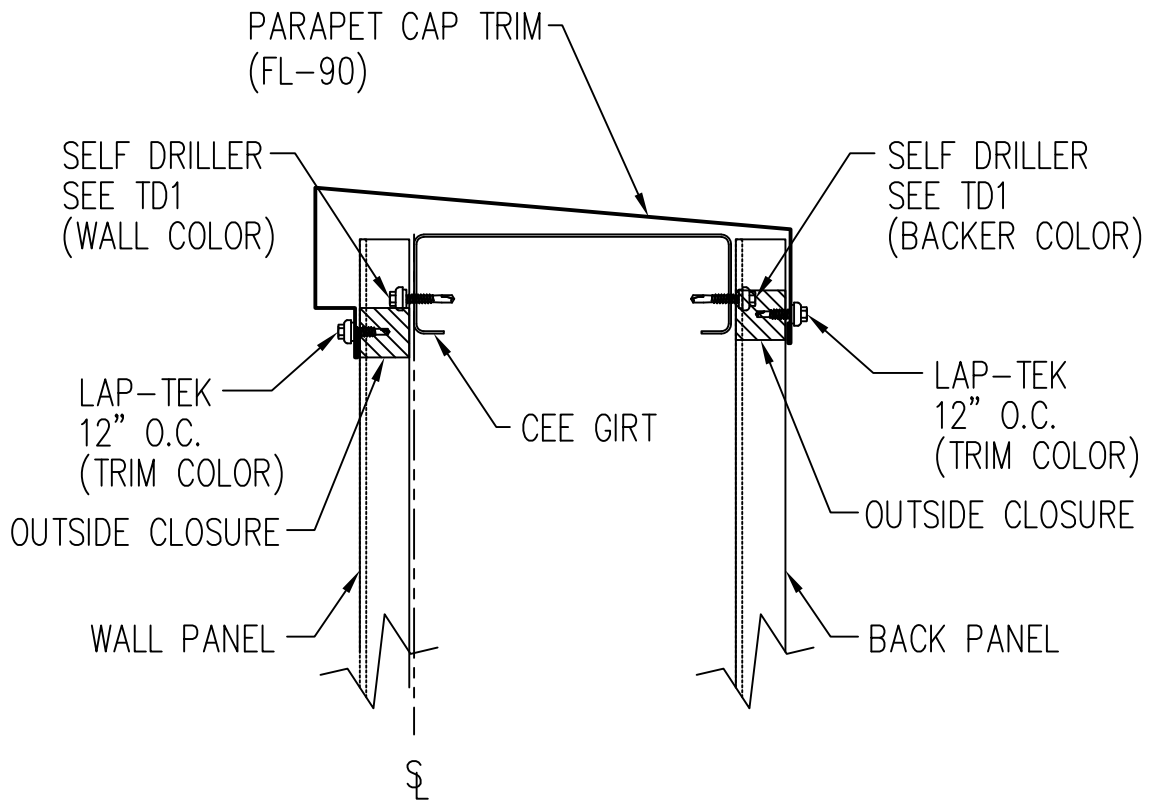
TD236



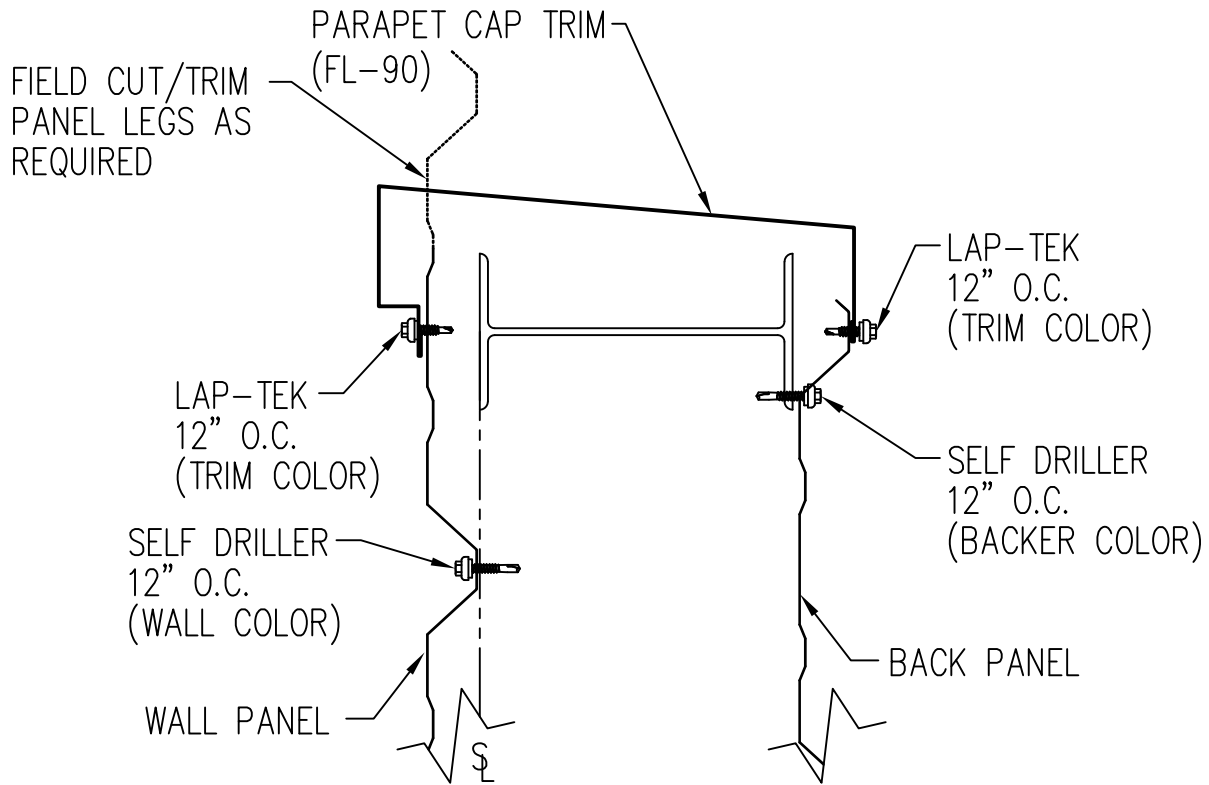
DRAWING NO.

Eave & Rake Extension Corner Detail - PBR

TD245



PARAPET CAP TRIM



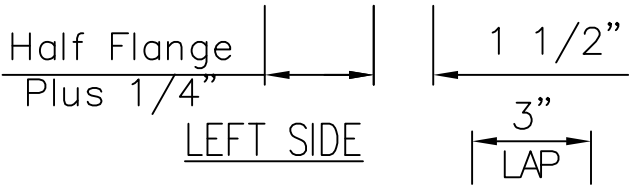
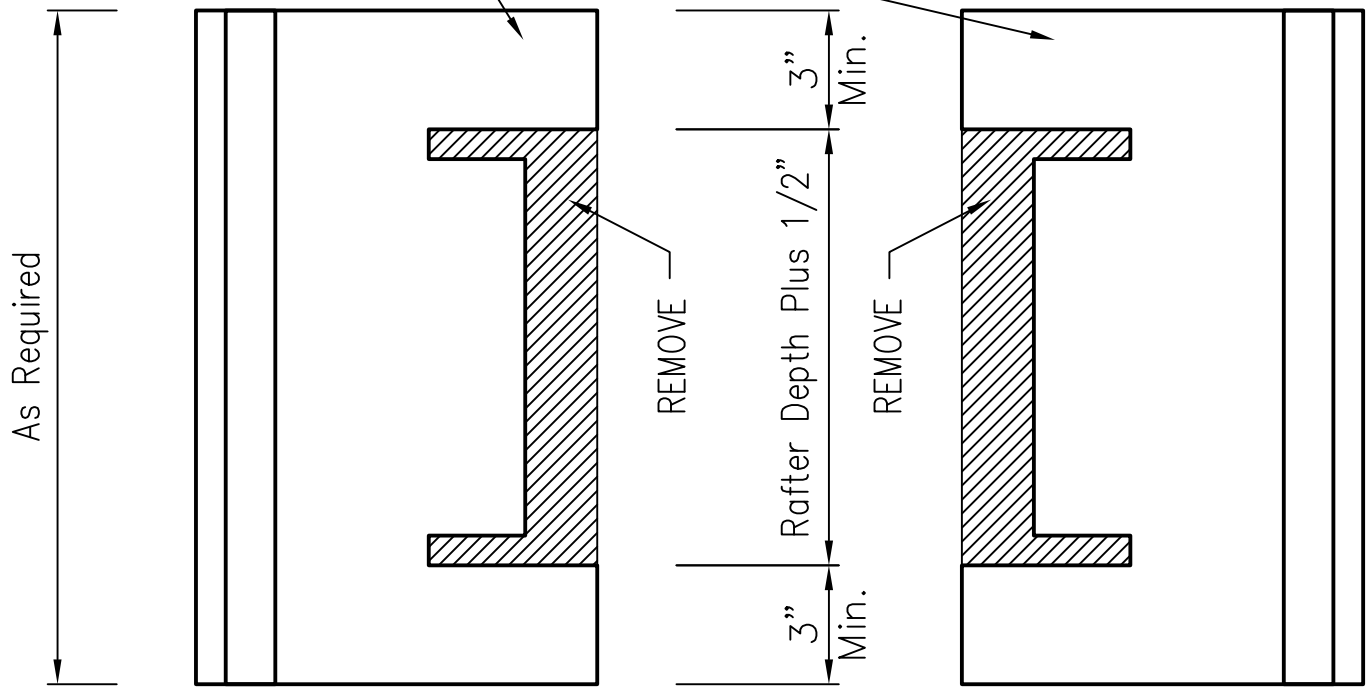
PARAPET CORNER TRIM

Parapet Cap Trim Detail - RPBR

DRAWING NO.

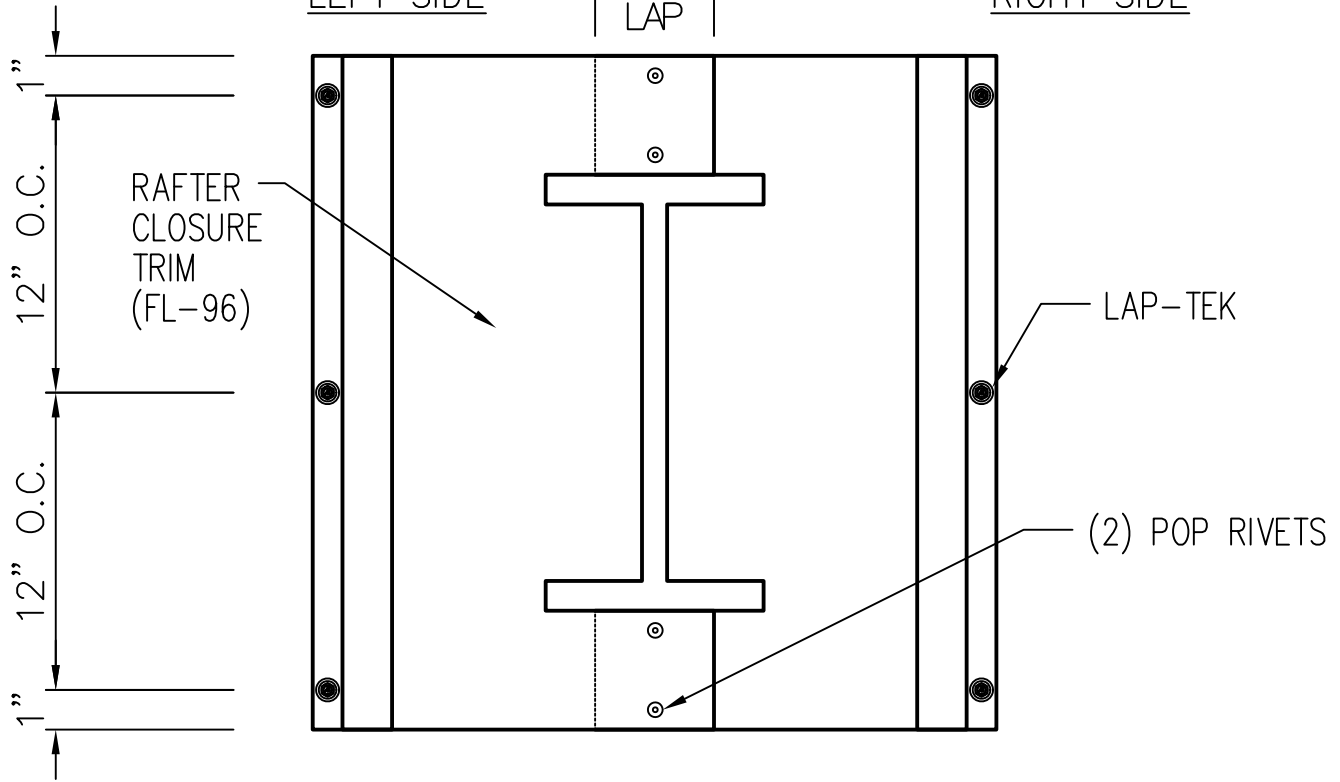
TD245

RAFTER CLOSURE TRIM
(FL-96)



LEFT SIDE

RIGHT SIDE



Wall Closure Detail at Rafter

DRAWING NO.

TD250