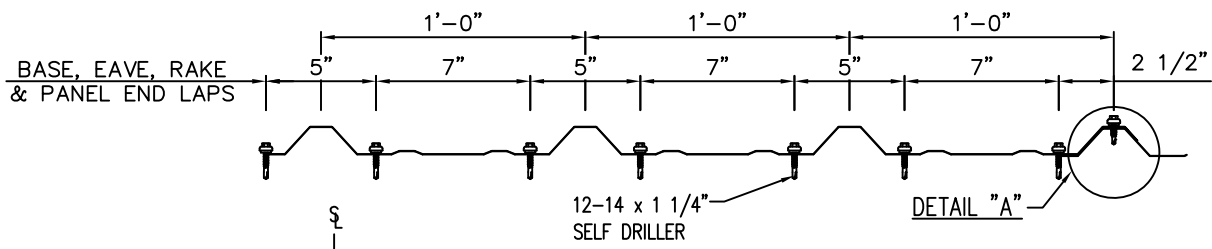
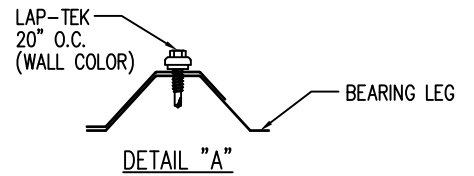
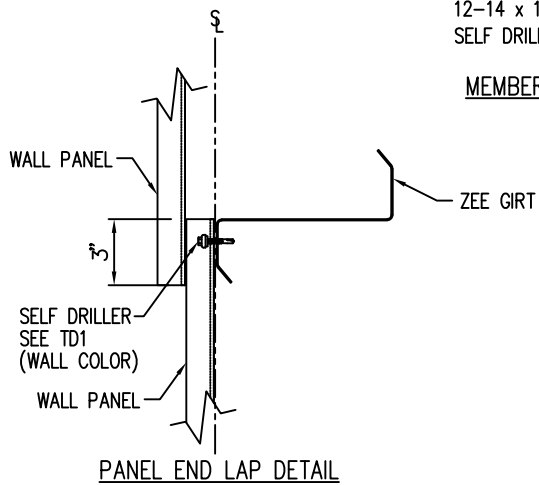


MEMBER SCREW SPACING



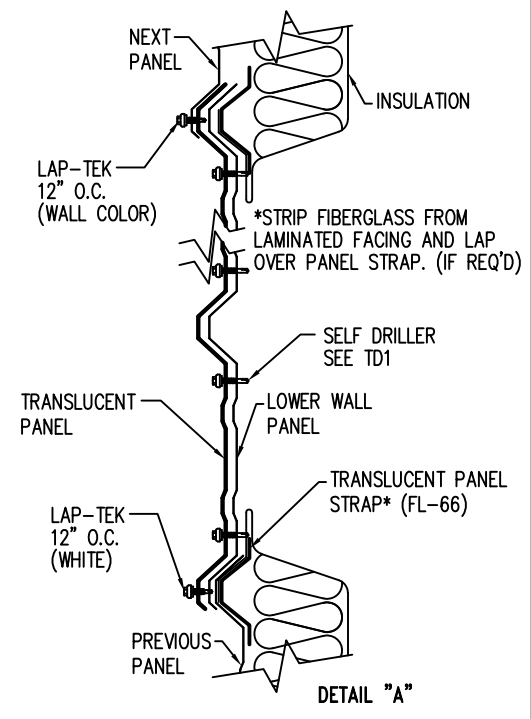
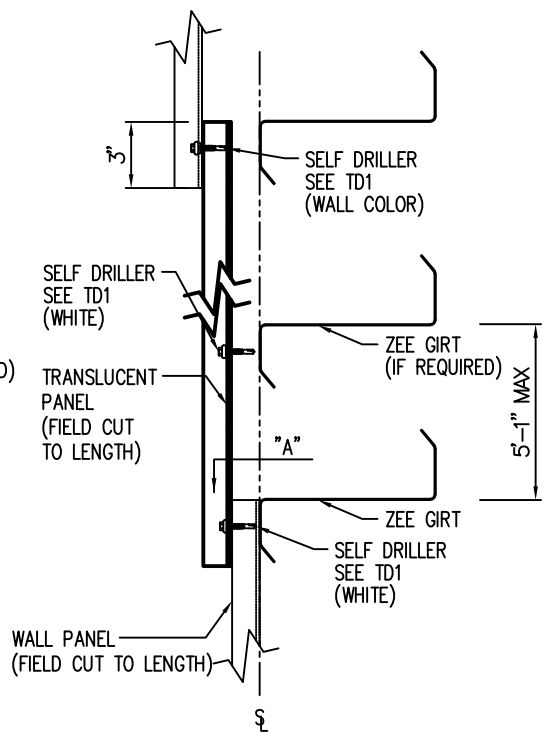
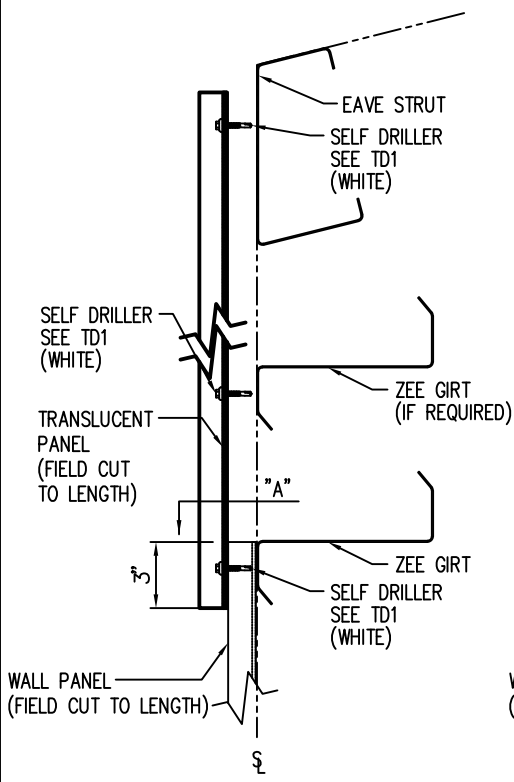
MEMBER SCREW SPACING



Fastener Location at Wall - PBR

DRAWING NO.

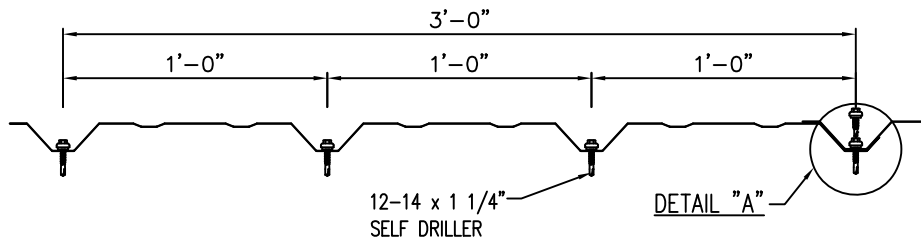
TD1



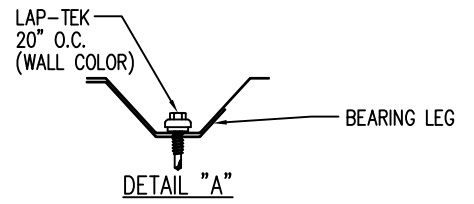
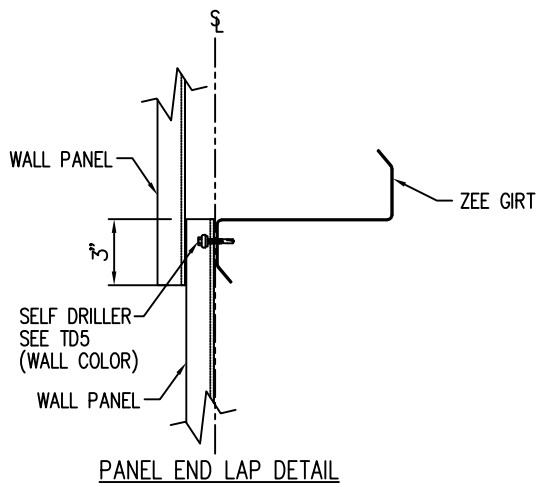
NOTE: ALL WALL LIGHT PANELS ARE FIELD LOCATED.

Translucent Wall Panel - PBR

DRAWING NO.
TD4



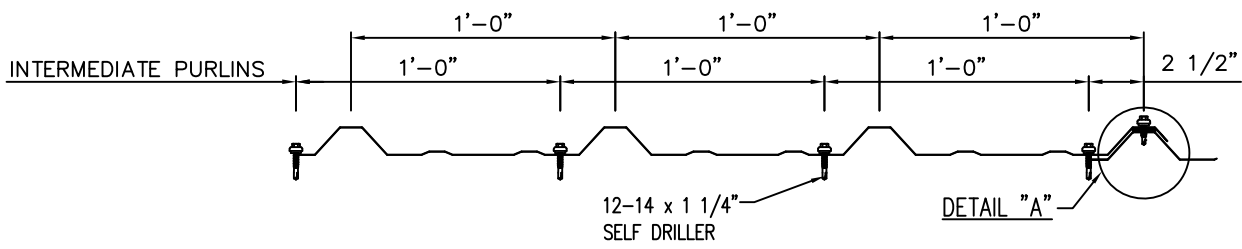
ALL MEMBER SCREW SPACING



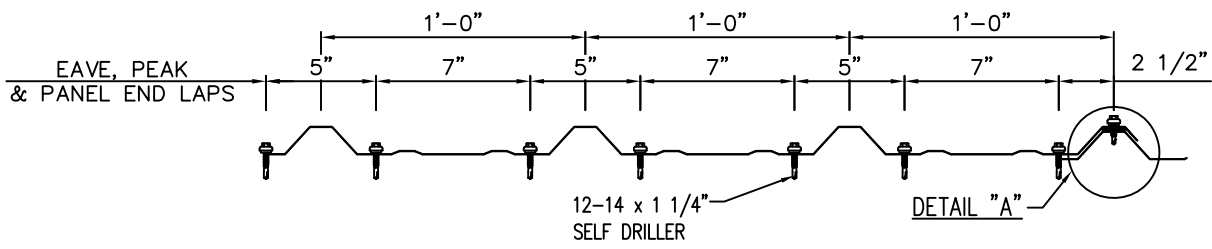
Fastener Location at Wall - RPBR

DRAWING NO.

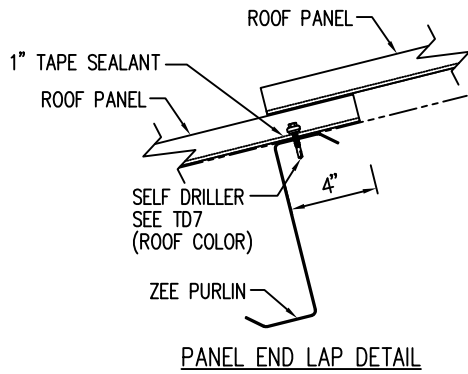
TD5



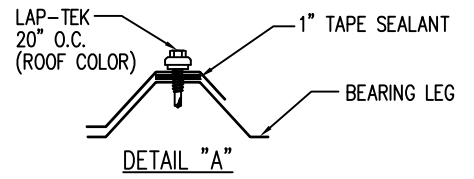
MEMBER SCREW SPACING



MEMBER SCREW SPACING



PANEL END LAP DETAIL

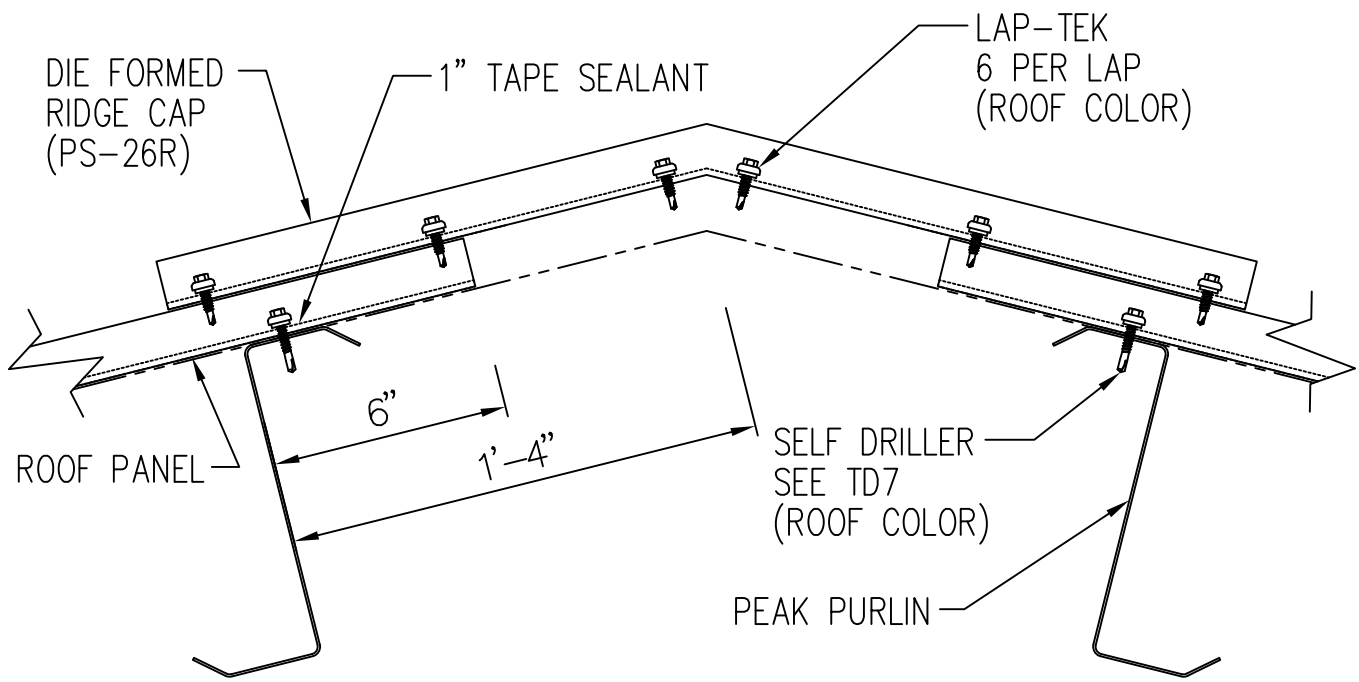


DETAIL "A"

Fastener Location at Roof - PBR

DRAWING NO.

TD7

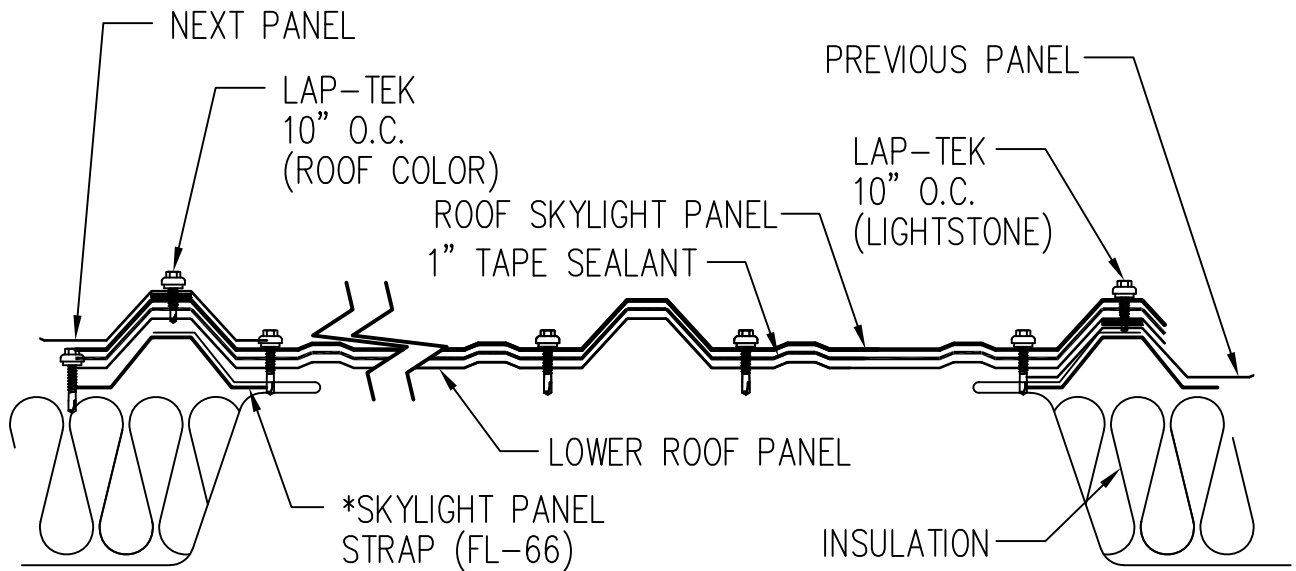
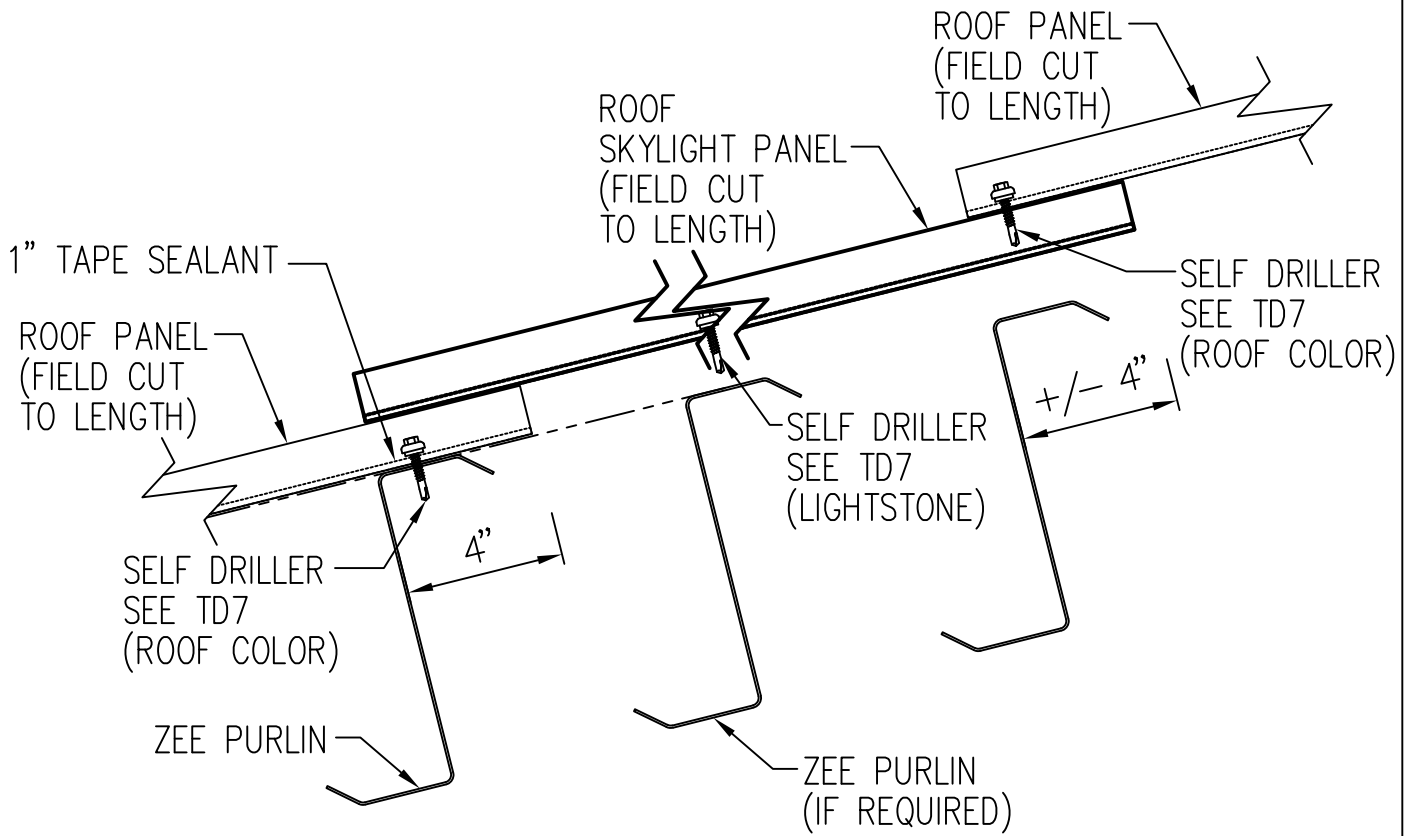


Die Formed Ridge Detail – PBR

Up to a 4:12 Roof Slope

DRAWING NO.

TD8



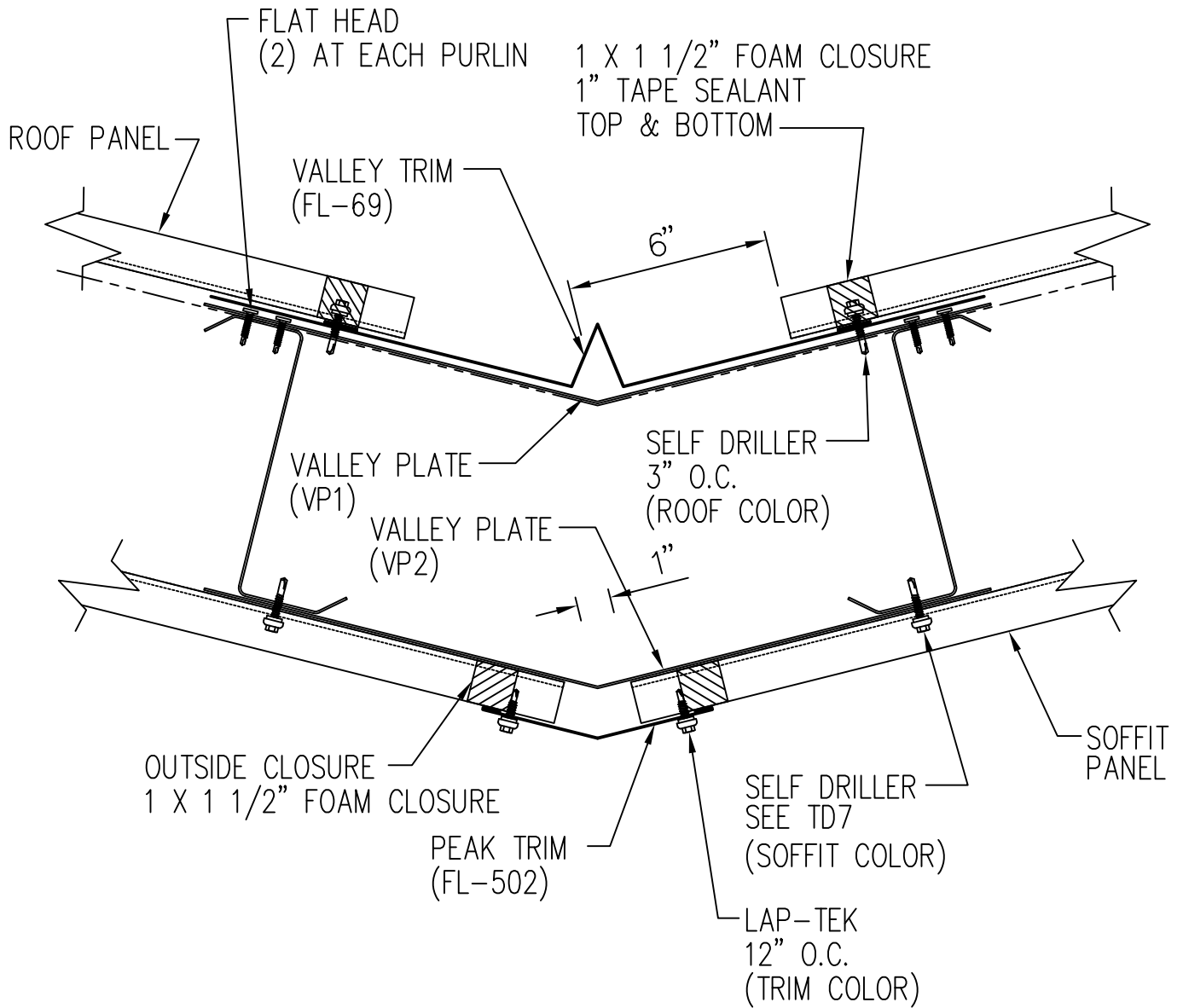
NOTE: ALL ROOF SKYLIGHT PANELS ARE FIELD LOCATED.

*NOTE: STRIP FIBERGLASS FROM LAMINATED FACING AND LAP OVER PANEL STRAP. (IF REQ'D)

Skylight Roof Panel Detail - PBR

DRAWING NO.

TD10



Valley Detail – PBR

Greater Than 4:12 Roof Slope

DRAWING NO.

TD10