

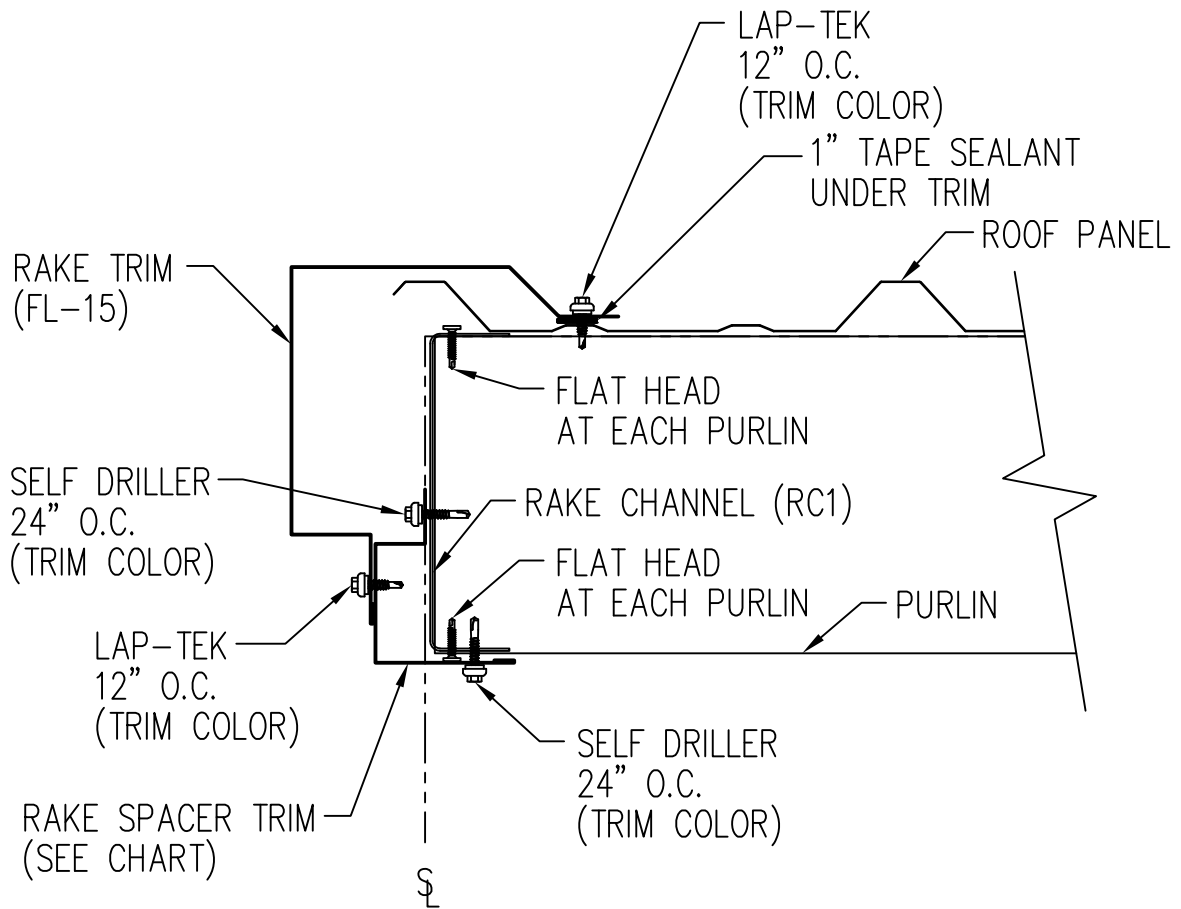
TRIM CHART	
PURLIN SIZE	PIECE MARK
8"	FL-78
10"	FL-365
12"	FL-366

Rake Detail – PBR

Sculptured Rake – Open Wall – No Soffit

DRAWING NO.

TD24



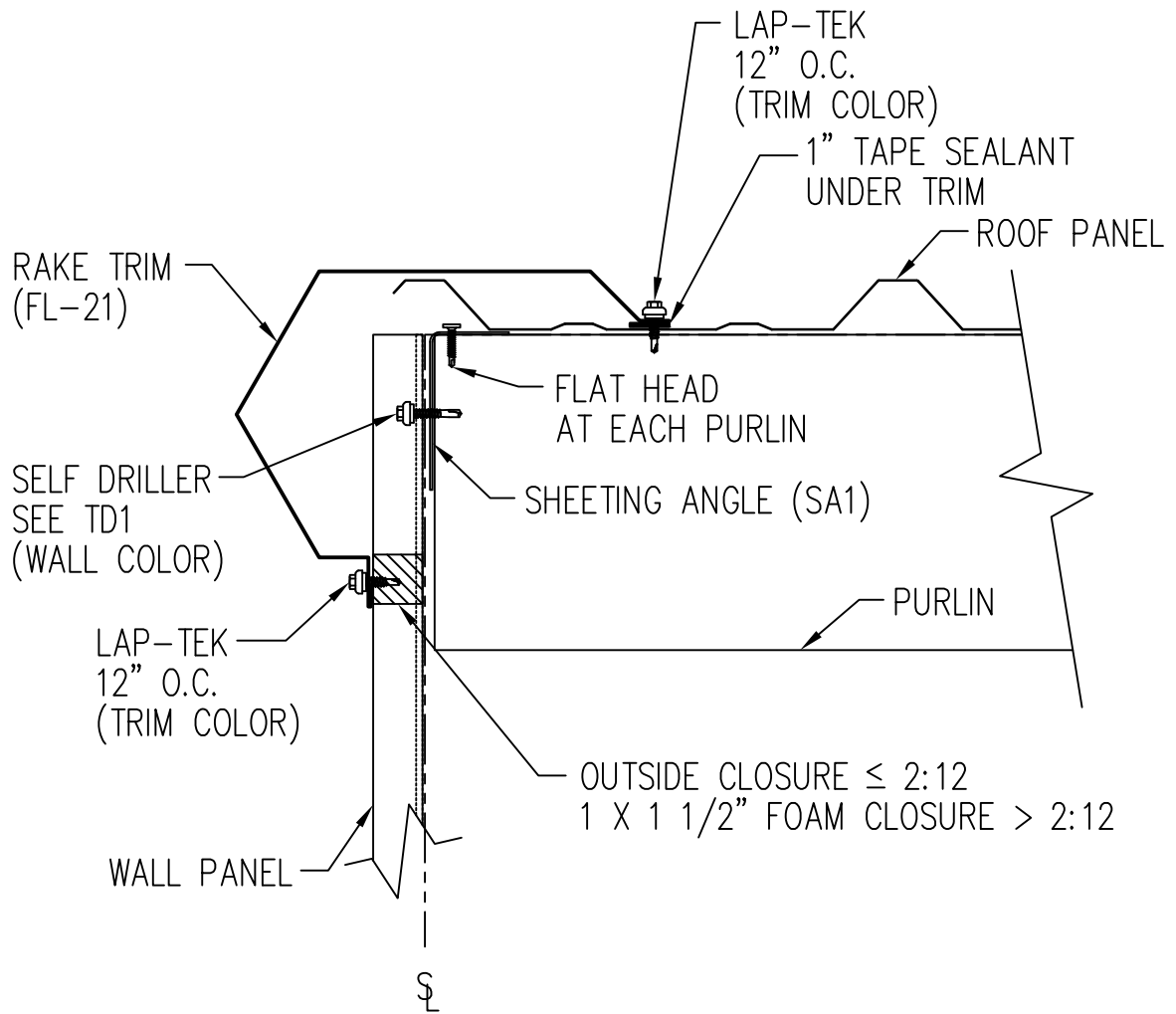
TRIM CHART	
PURLIN SIZE	PIECE MARK
8"	FL-78
10"	FL-365
12"	FL-366

Rake Detail - PBR

Box Rake - Open Wall - No Soffit

DRAWING NO.

TD25

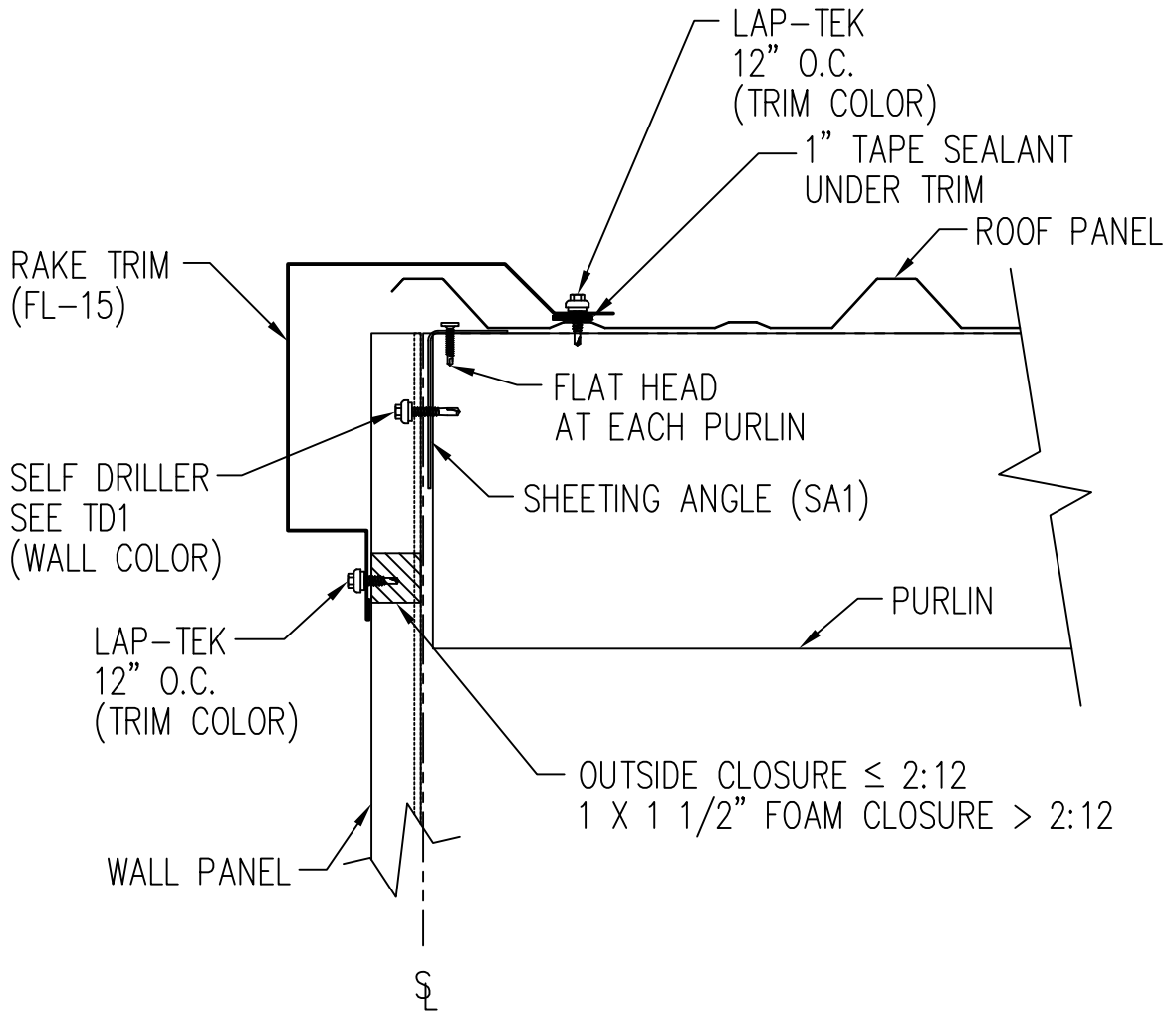


NOTE: FIELD SLOPE CUT WALL PANELS AS REQUIRED FOR ROOF SLOPE

Rake Detail – PBR
 Sculptured Rake – Sheeted Wall

DRAWING NO.

TD35



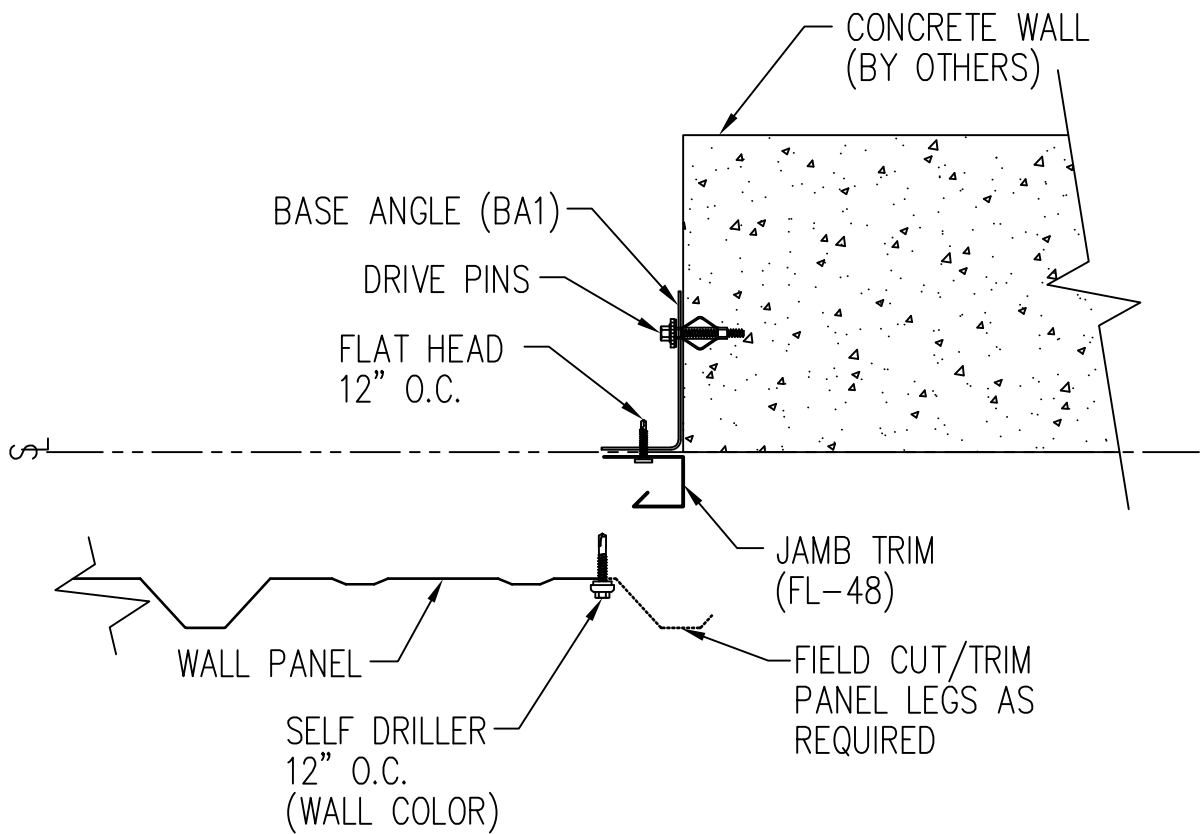
NOTE: FIELD SLOPE CUT WALL PANELS AS REQUIRED FOR ROOF SLOPE

Rake Detail – PBR

Box Rake – Sheeted Wall

DRAWING NO.

TD36

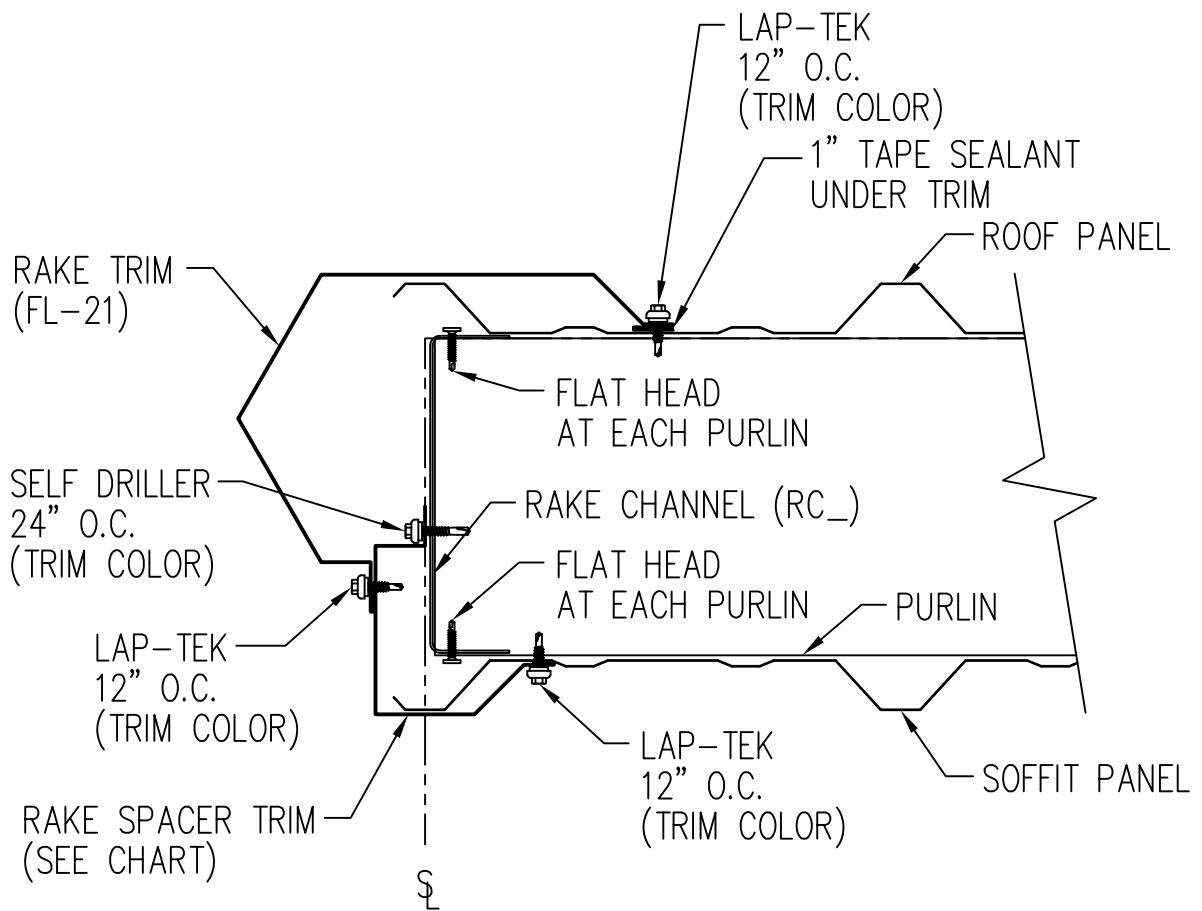


NOTE: USE POWER DRIVEN FASTENERS SUCH AS RAMSET (OR EQUAL). 0.140 ϕ STRAIGHT SHANK W 1 1/4" PENETRATION AND MIN. ALLOWABLE SHEAR OF 220# (2'-0" O.C.)(NOT BY GWB)

Panel Termination at Stem Wall

DRAWING NO.

TD36



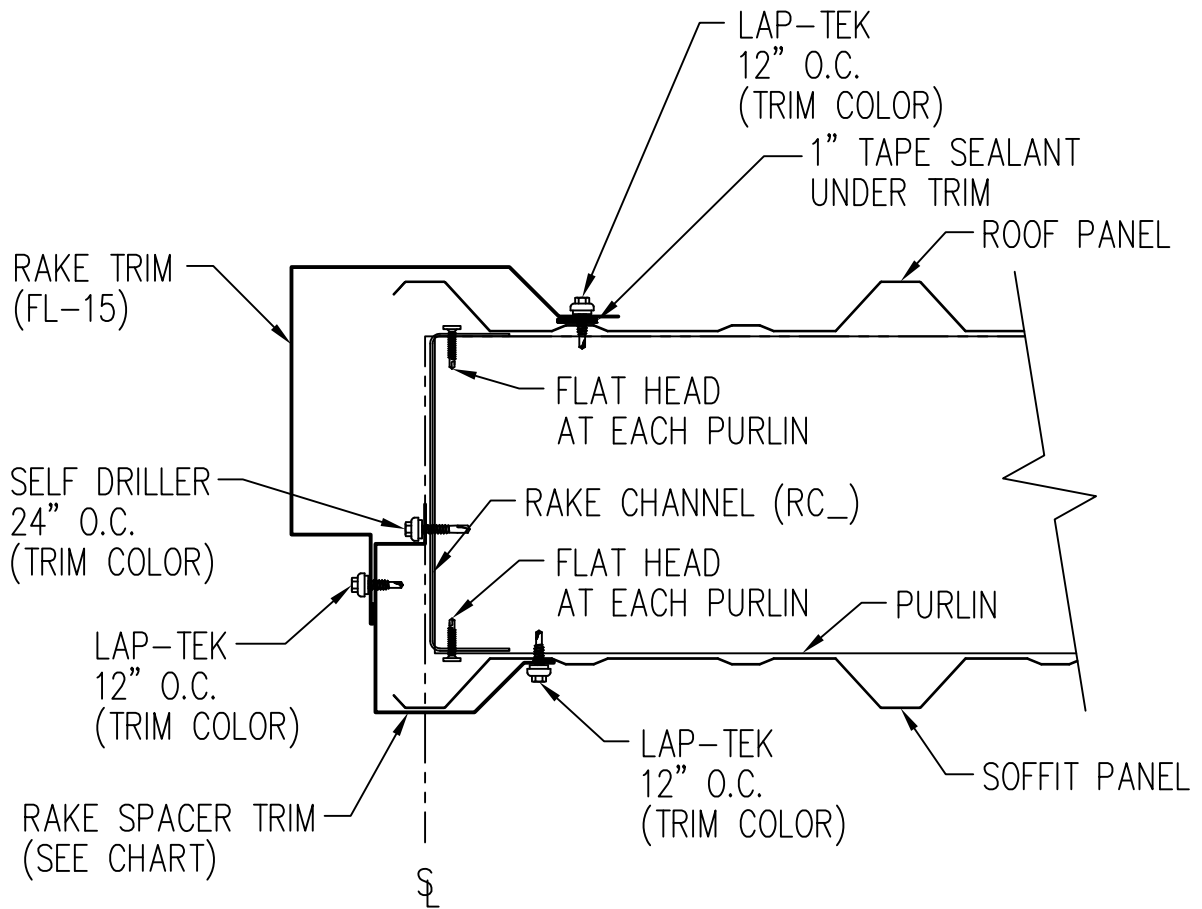
TRIM CHART	
PURLIN SIZE	PIECE MARK
8"	FL-79
10"	FL-367
12"	FL-368

Rake Detail - PBR

Sculptured Rake - Open Wall - With Soffit

DRAWING NO.

TD64



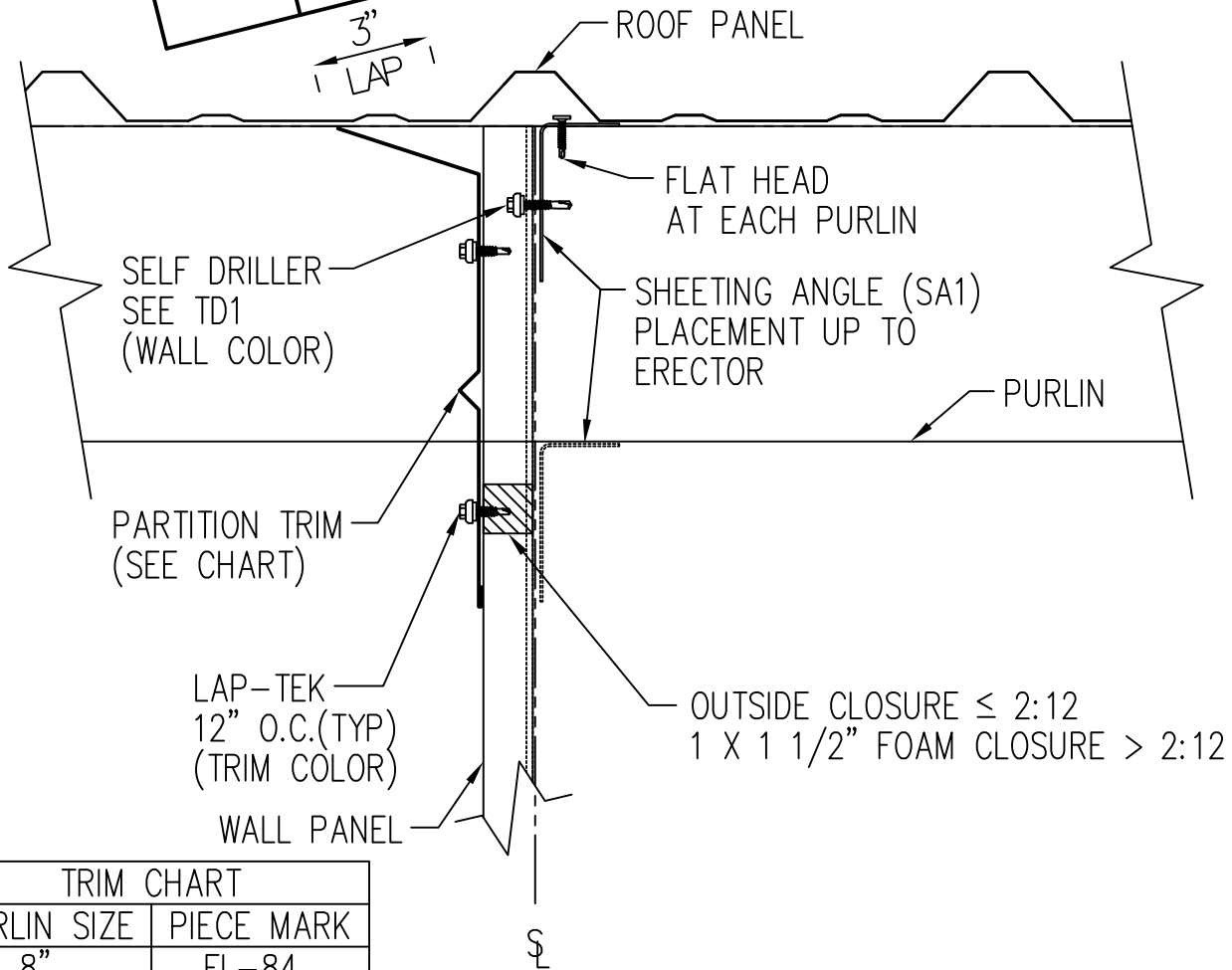
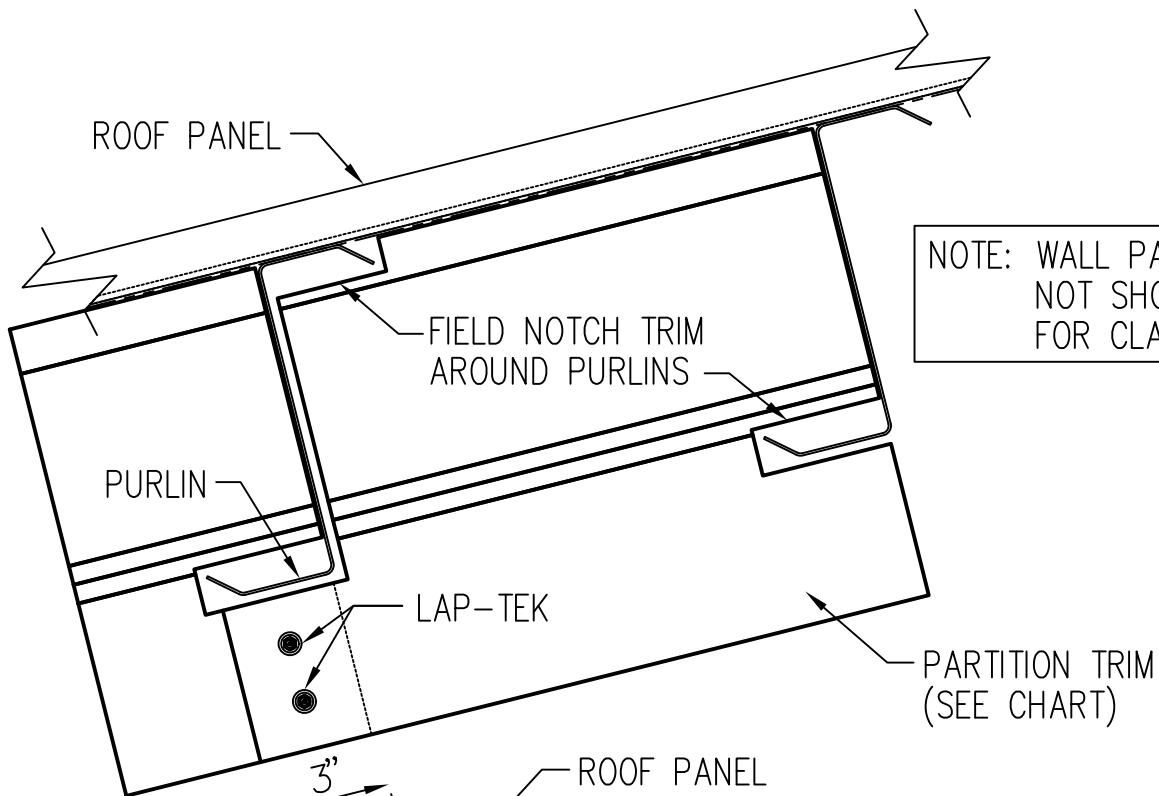
TRIM CHART	
PURLIN SIZE	PIECE MARK
8"	FL-79
10"	FL-367
12"	FL-368

Rake Detail – PBR

Box Rake – Open Wall – With Soffit

DRAWING NO.

TD65



TRIM CHART	
PURLIN SIZE	PIECE MARK
8"	FL-84
10"	FL-285
12"	FL-500

NOTE: FIELD SLOPE CUT WALL PANELS AS REQUIRED FOR ROOF SLOPE

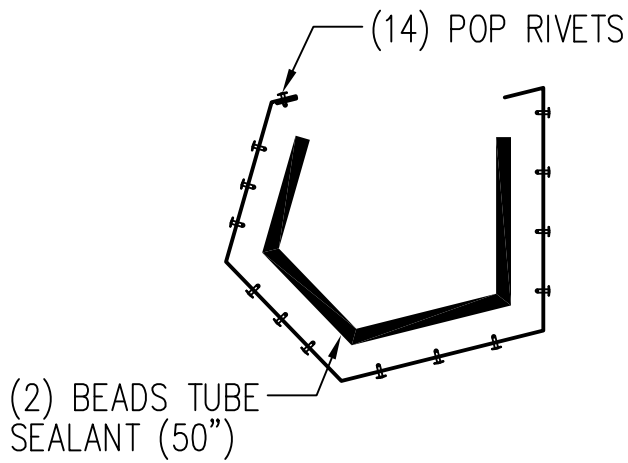
Rake Extension Detail at Building Line - PBR

Sheeted Wall - No Soffit

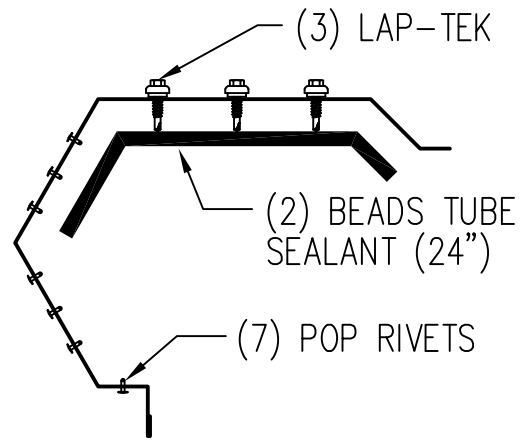
DRAWING NO.

TD71

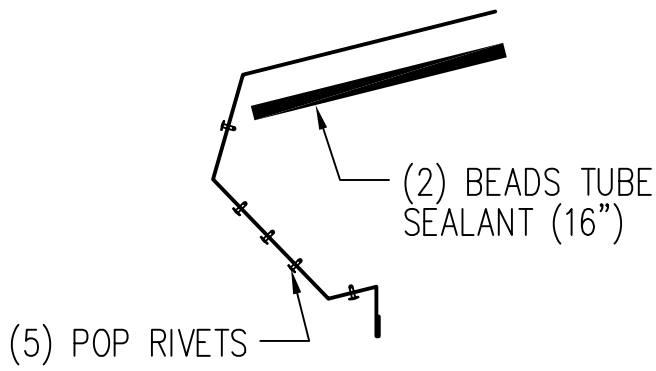
EAVE GUTTER



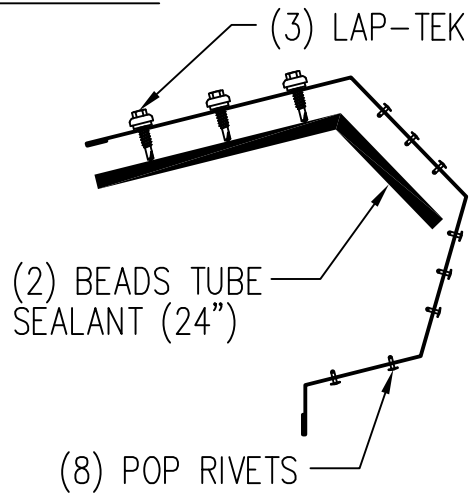
RAKE TRIM



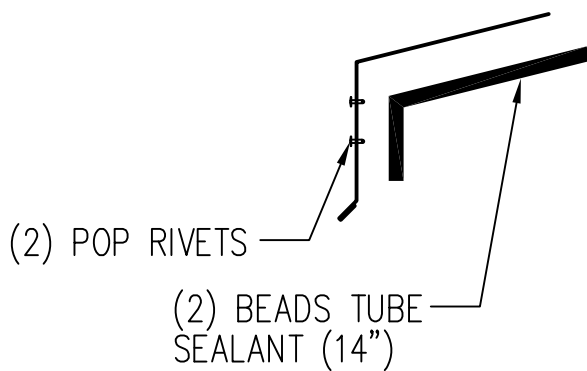
LOW EAVE TRIM



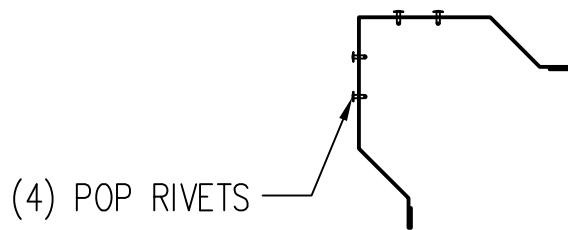
HIGH EAVE TRIM



LOW EAVE TRIM



CORNER TRIM



NOTE: TRIM PROFILES MAY VARY; 2" MIN. LAP UNLESS NOTED
NOTE: TUBE SEALANT (NOT BY G.A.B.)

Trim Laps - PBR Sculptured

DRAWING NO.

TD85