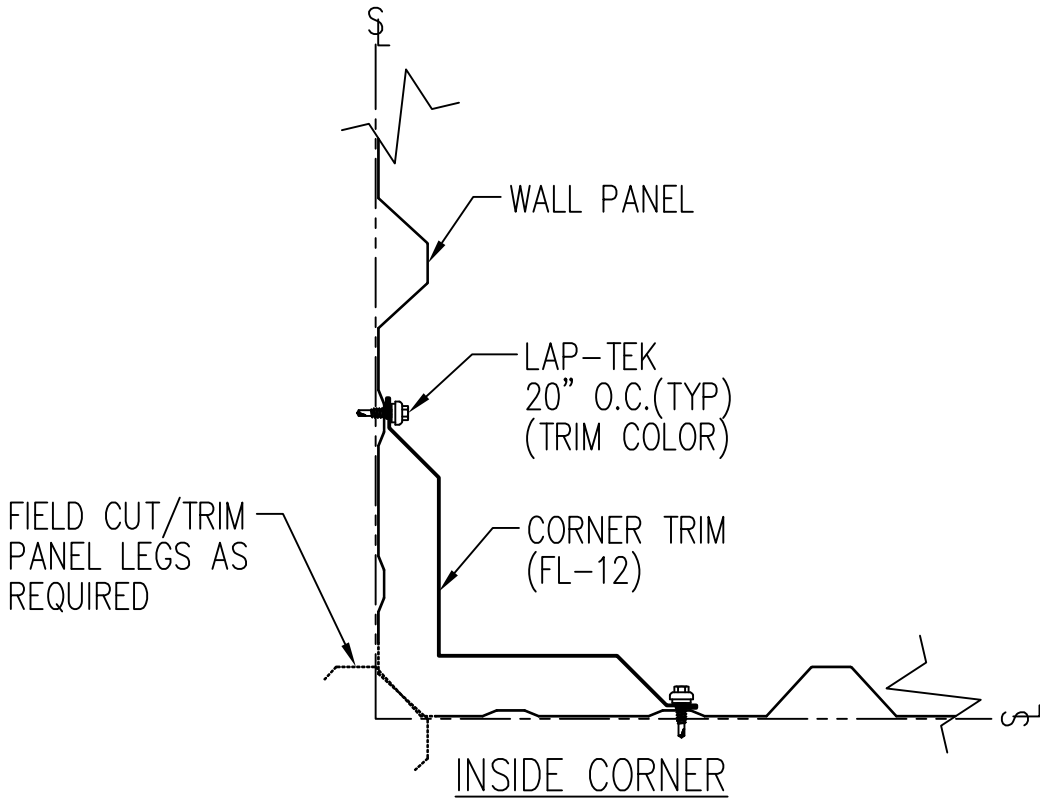
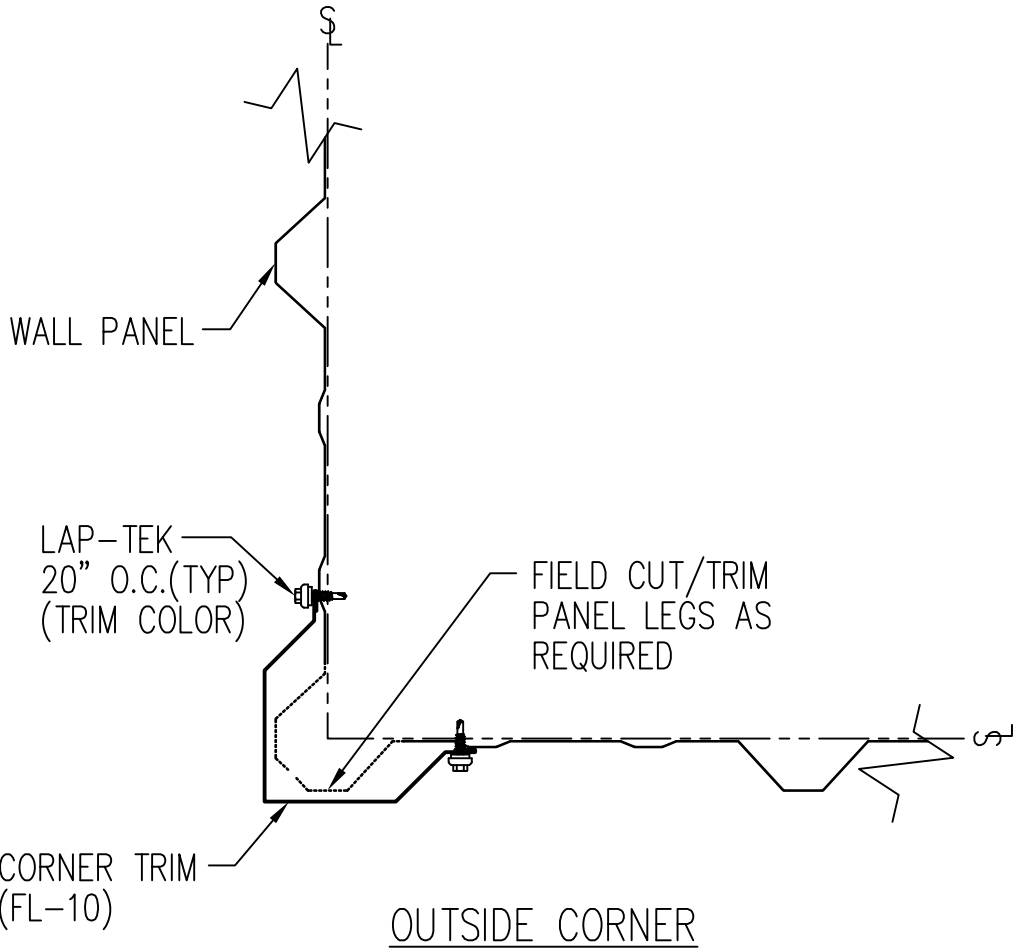


NOTE: ALL WALL LIGHT PANELS ARE FIELD LOCATED.

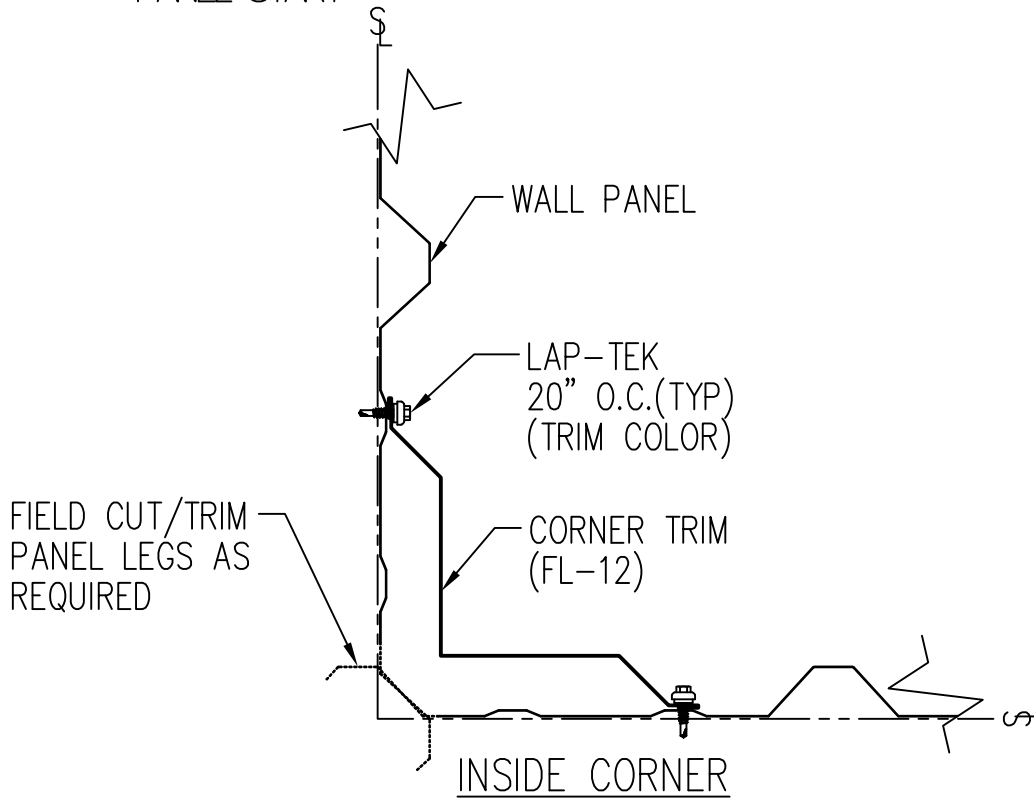
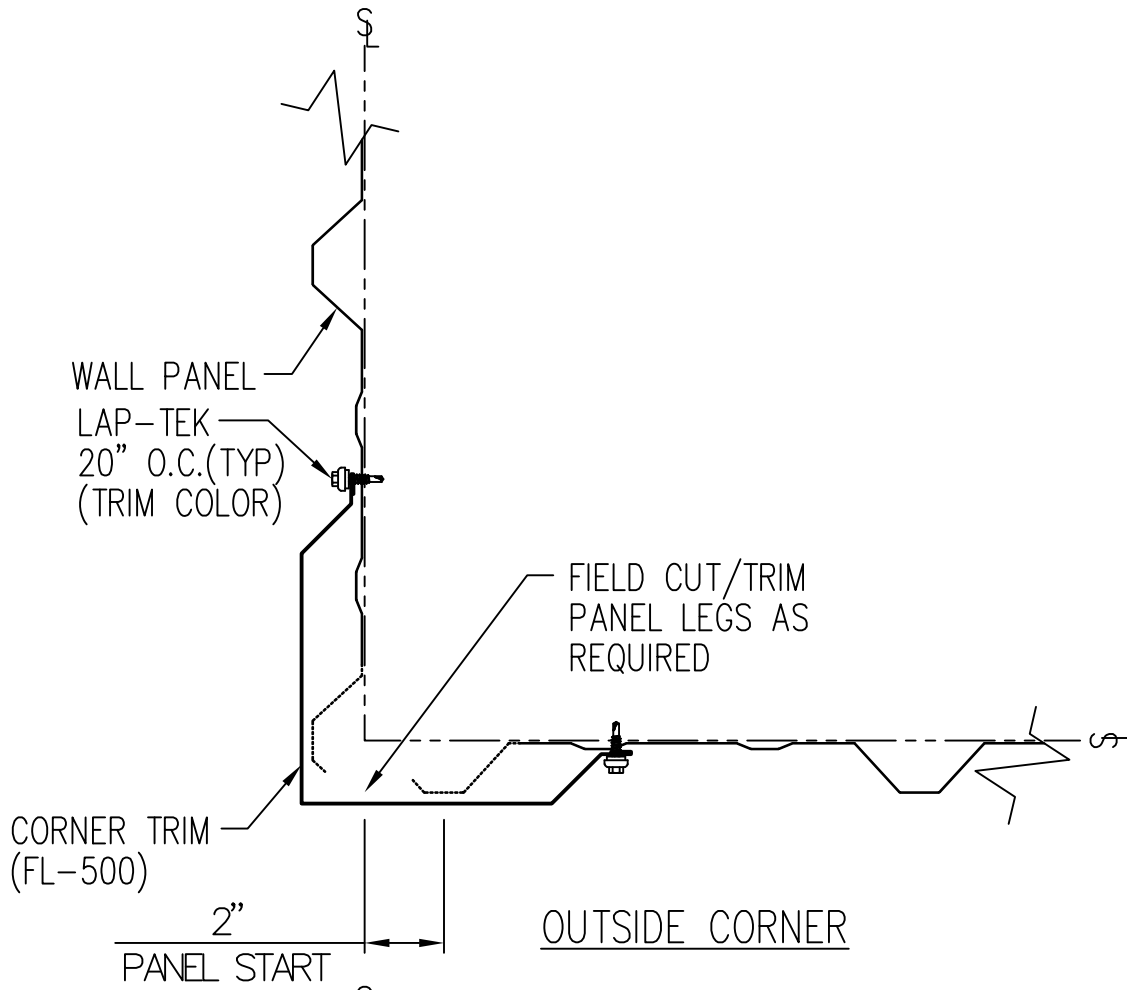
Translucent Wall Panel - PBR

DRAWING NO.  
TD4



Section at Corner Detail – PBR

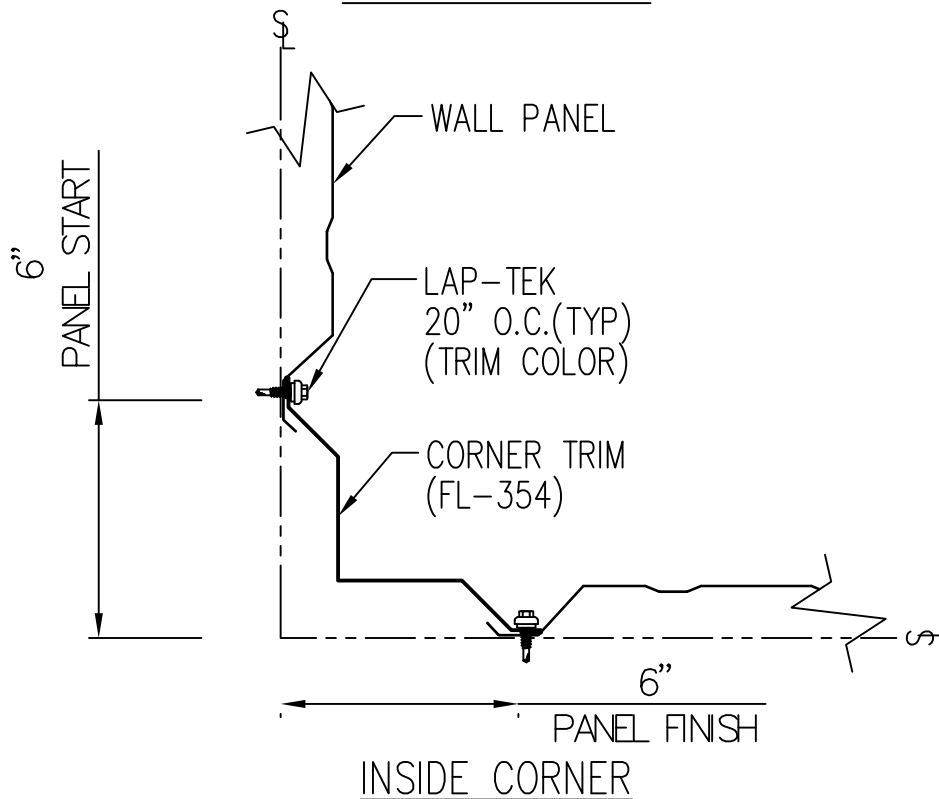
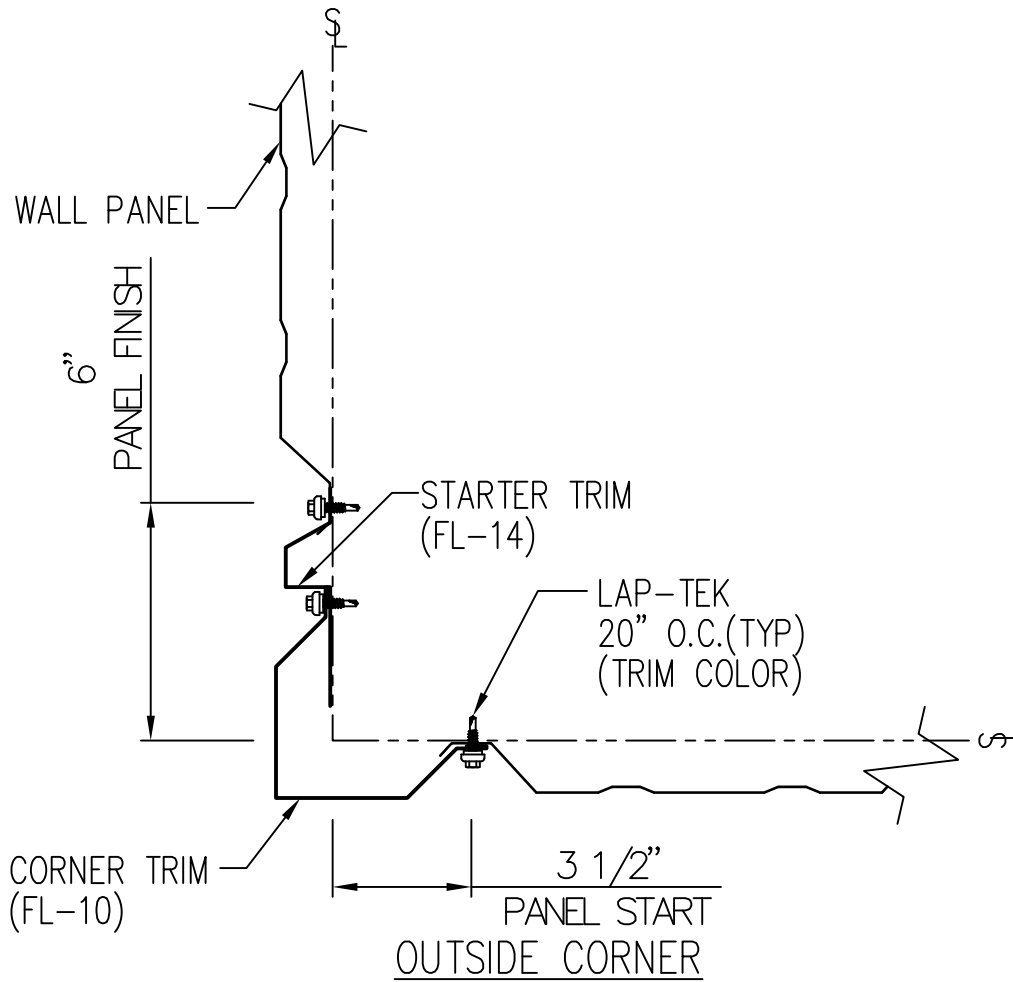
DRAWING NO.  
**TD40**



Section at Corner Detail – PBR

DRAWING NO.

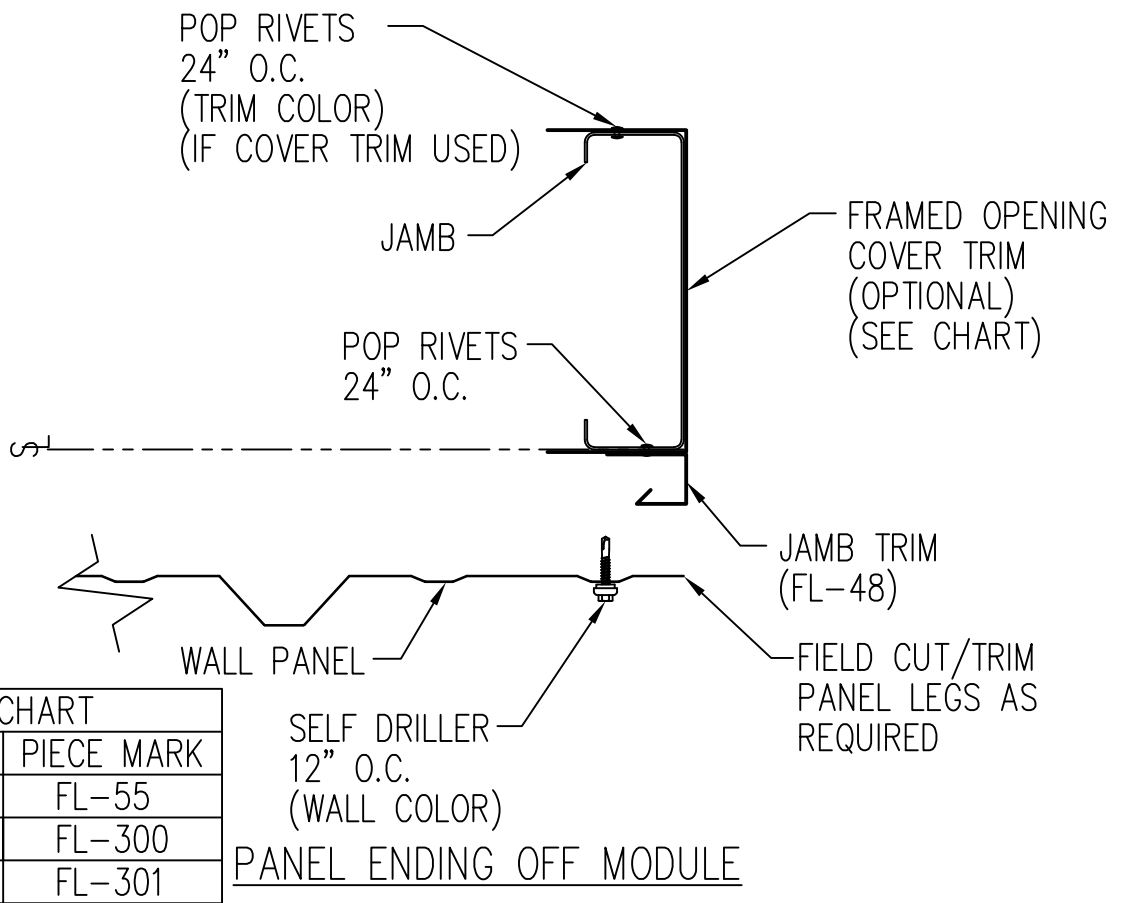
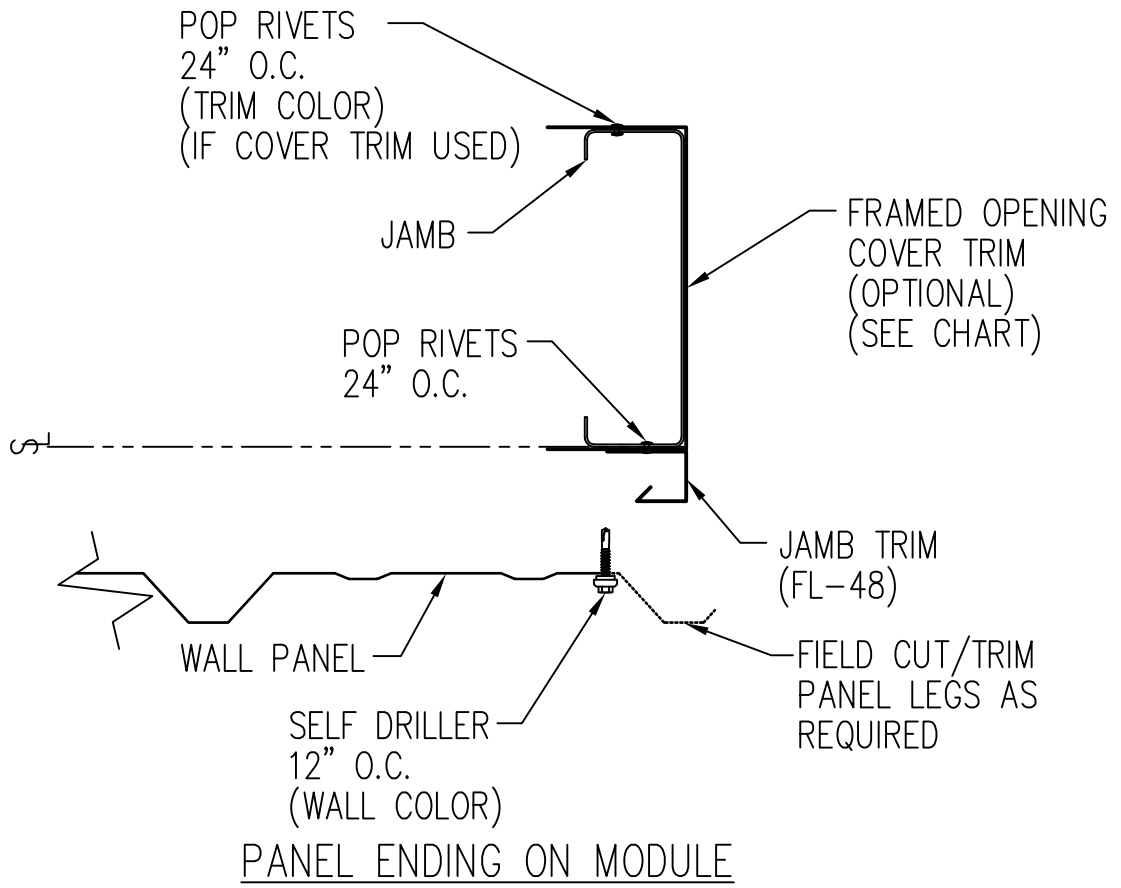
TD40



Section at Corner Detail - RPBR

DRAWING NO.

TD42

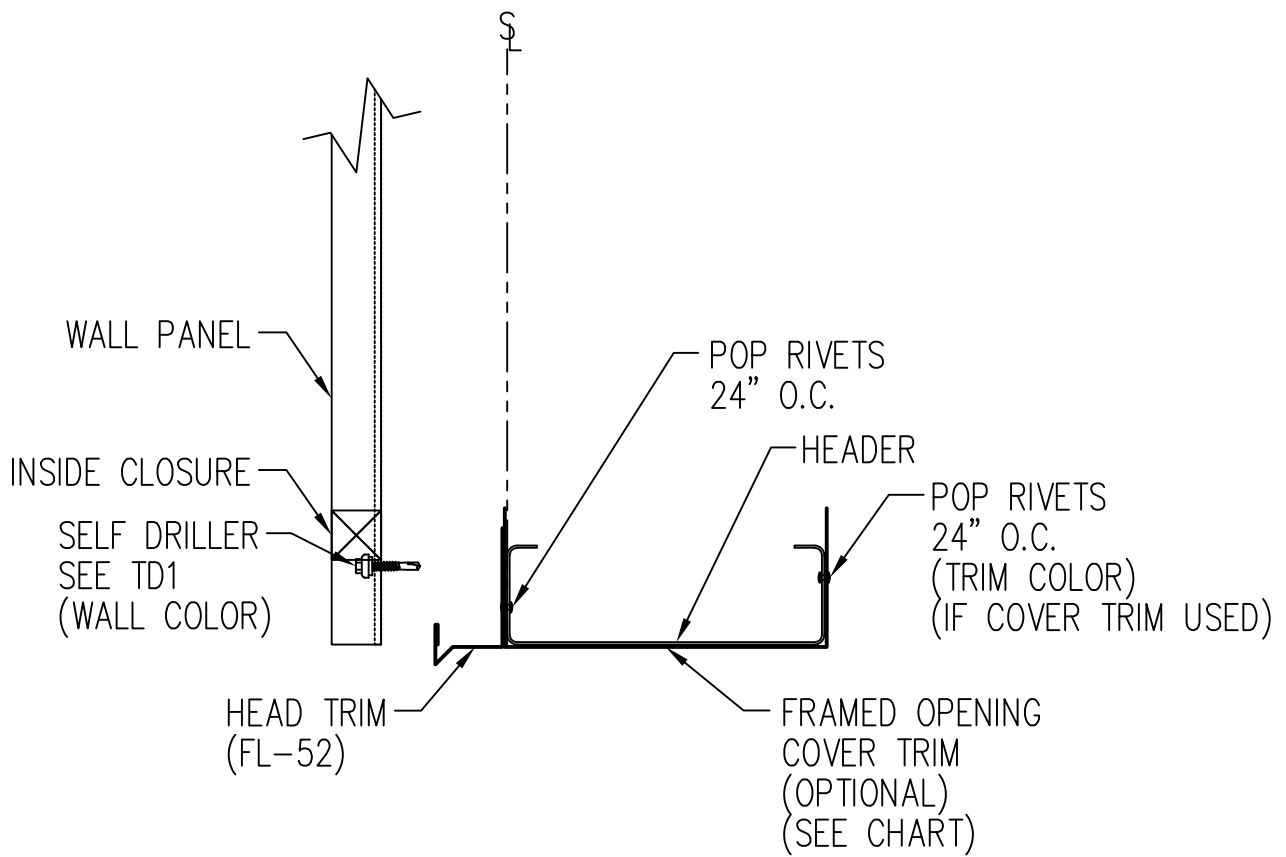


TRIM CHART	
GIRT SIZE	PIECE MARK
8"	FL-55
10"	FL-300
12"	FL-301

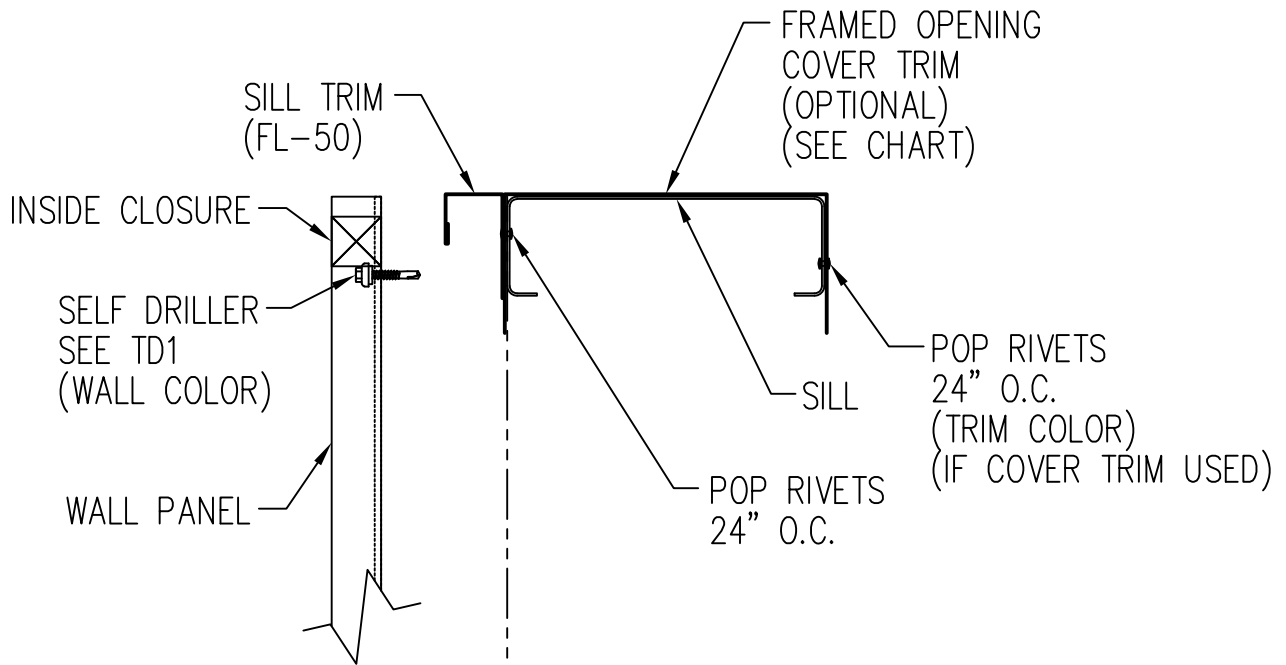
# Framed Opening Jamb Detail - PBR

DRAWING NO.

TD51



HEAD DETAIL FOR FRAMED OPENING



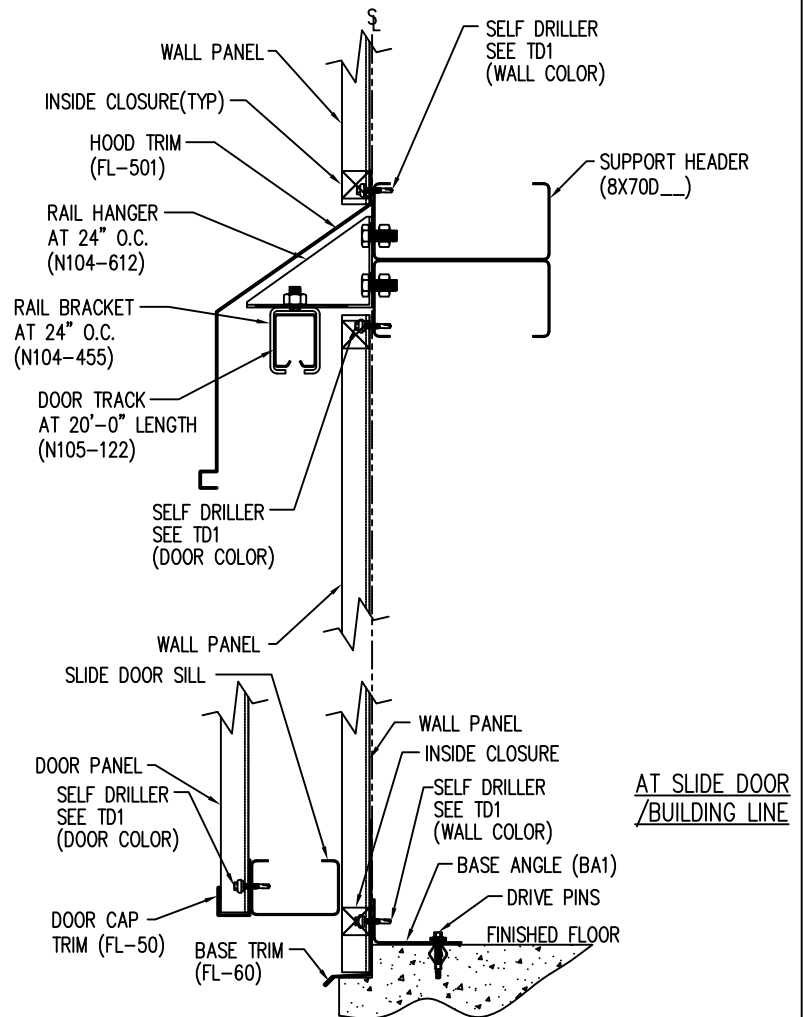
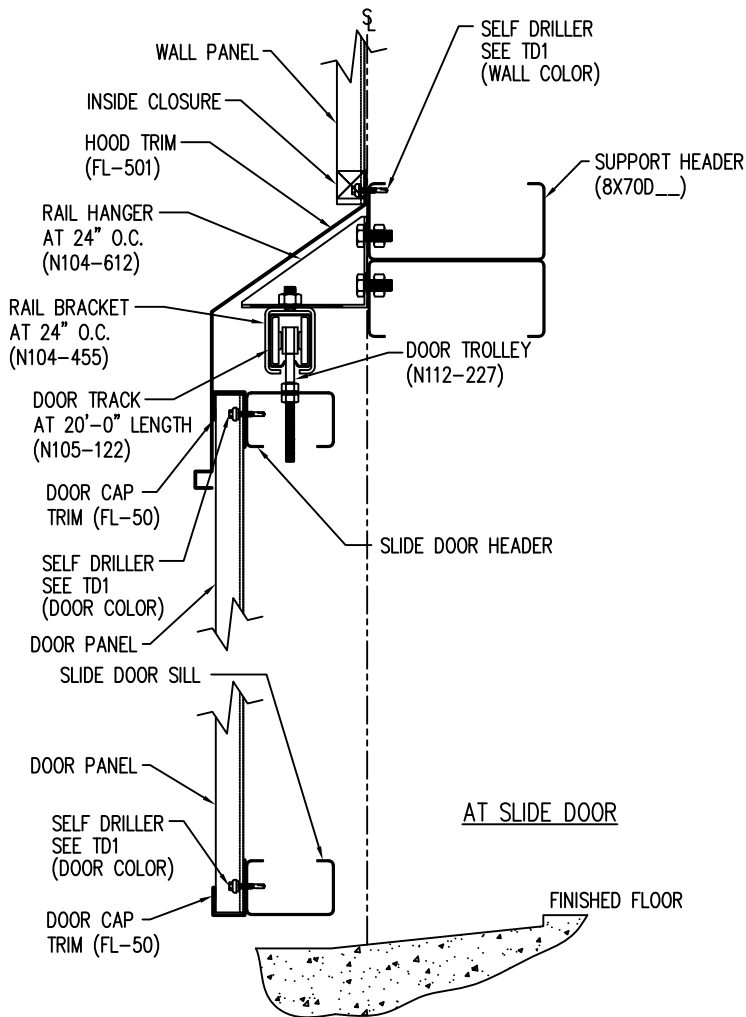
SILL DETAIL FOR FRAMED OPENING

TRIM CHART	
GIRT SIZE	PIECE MARK
8"	FL-55
10"	FL-300
12"	FL-301

Framed Opening Head and Sill Details – PBR

DRAWING NO.

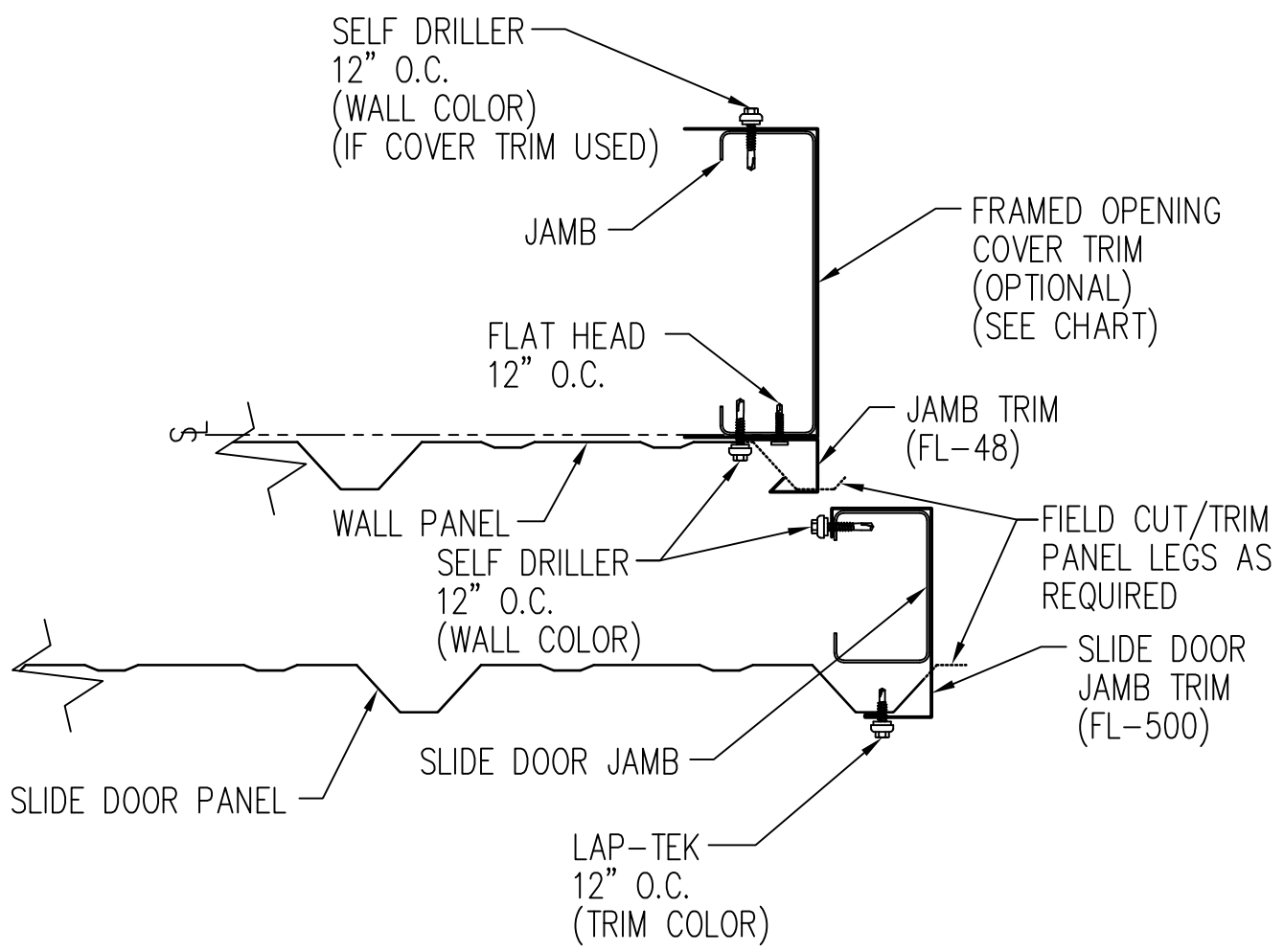
TD52



Slide Door Trim Details - PBR

DRAWING NO.

TD53



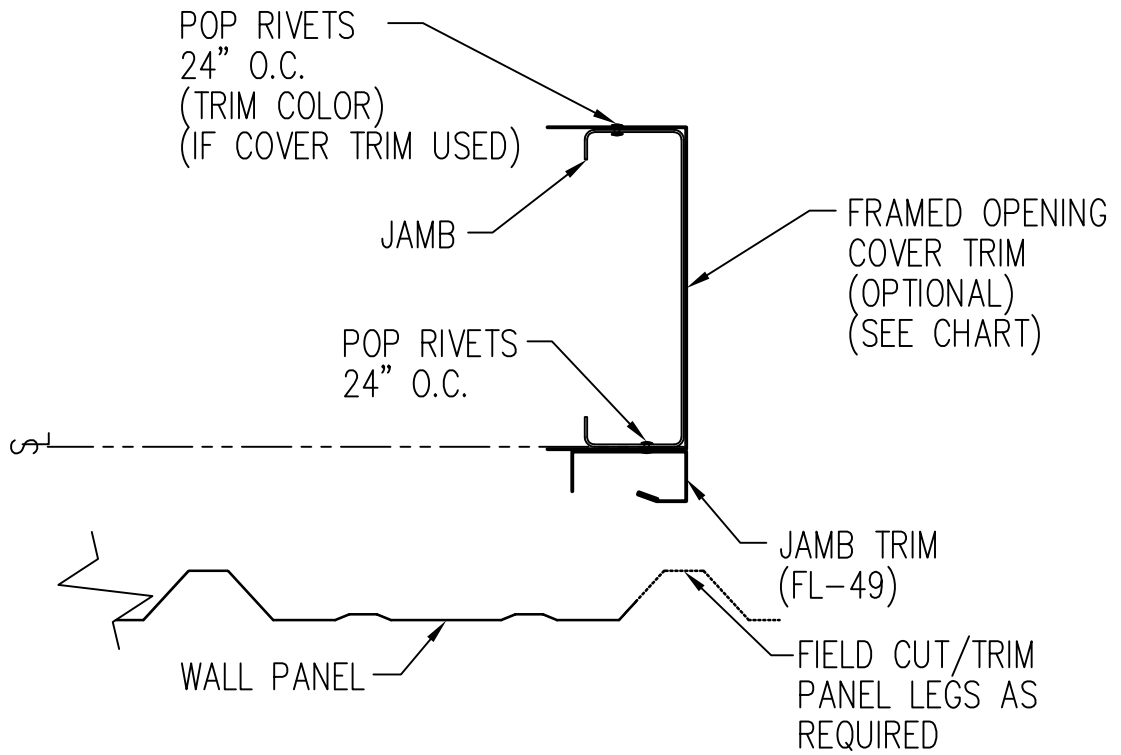
TRIM CHART	
GIRT SIZE	PIECE MARK
8"	FL-55
10"	FL-300
12"	FL-301

Slide Door Jamb Detail – PBR

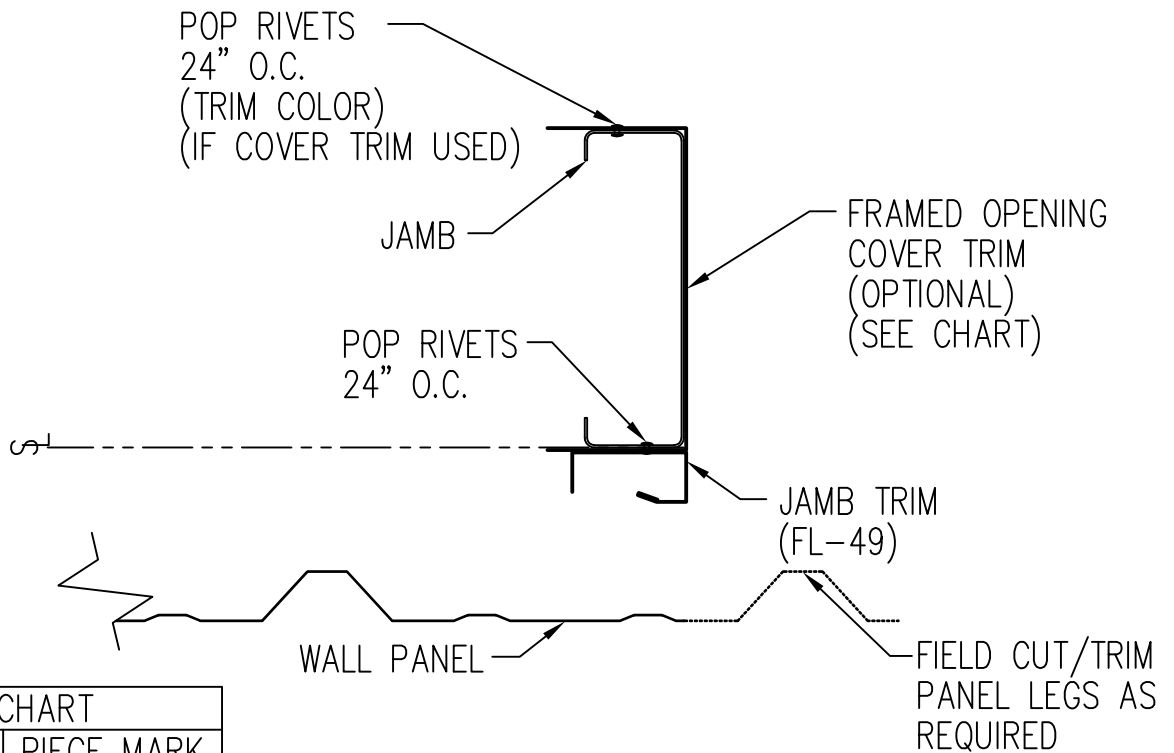
DRAWING NO.

TD54





PANEL ENDING ON MODULE



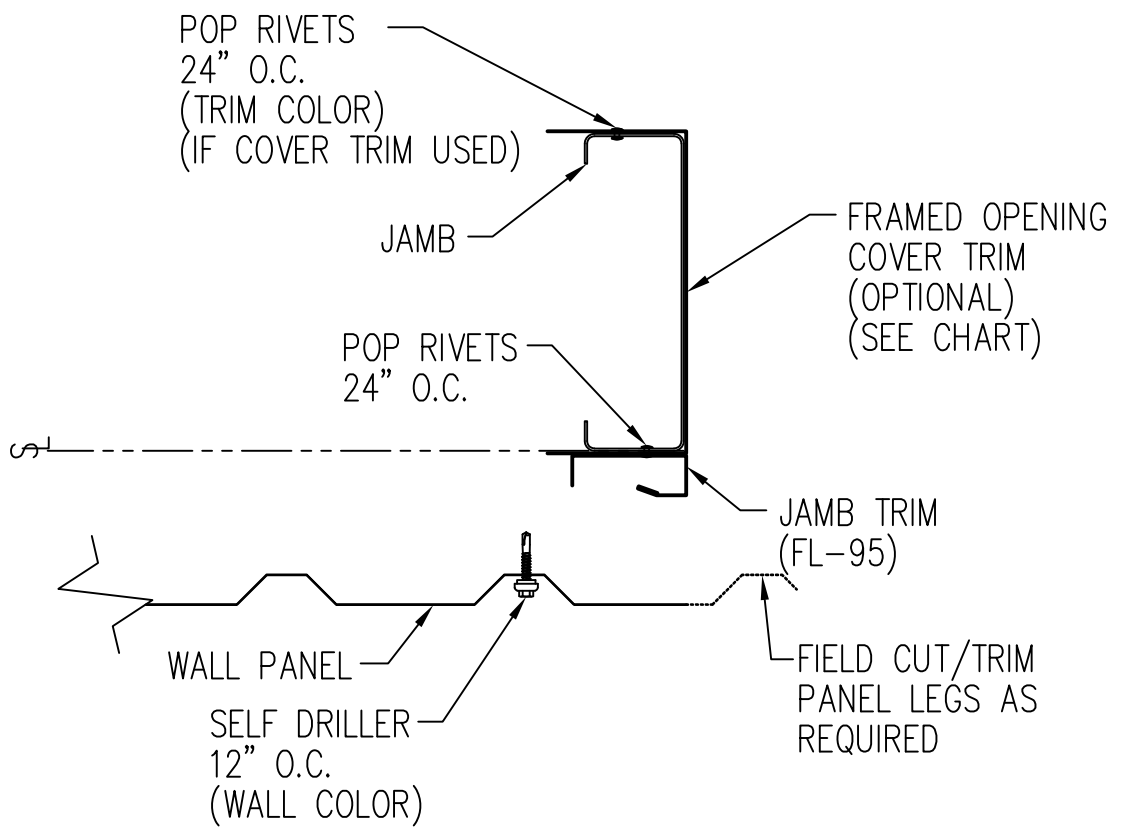
TRIM CHART	
GIRT SIZE	PIECE MARK
8"	FL-55
10"	FL-300
12"	FL-301

PANEL ENDING OFF MODULE

Framed Opening Jamb Detail - RPBR

DRAWING NO.

TD57

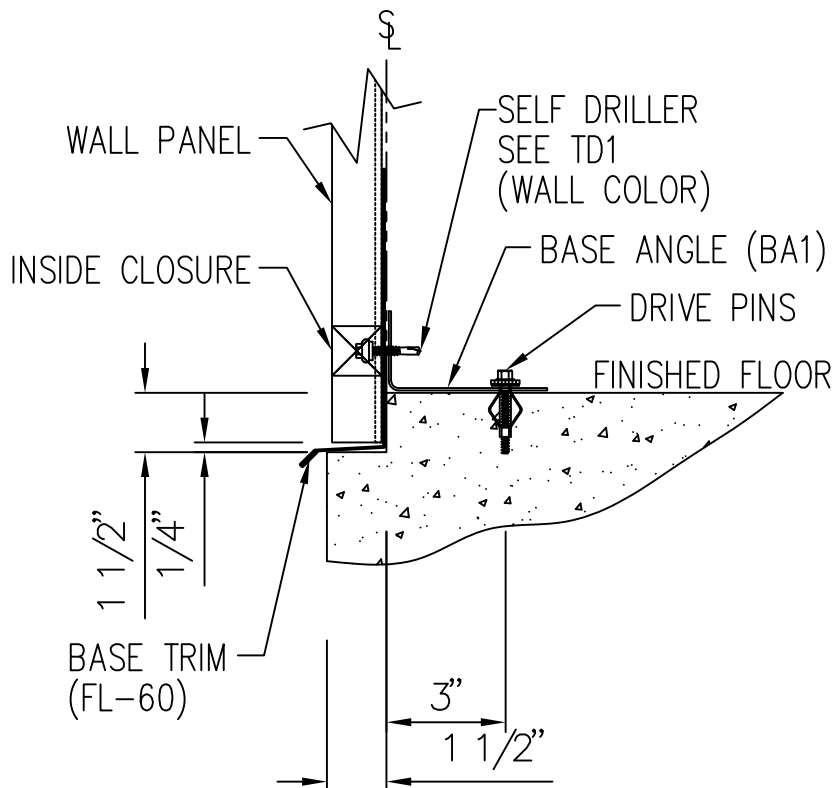


TRIM CHART	
GIRT SIZE	PIECE MARK
8"	FL-55
10"	FL-300
12"	FL-301

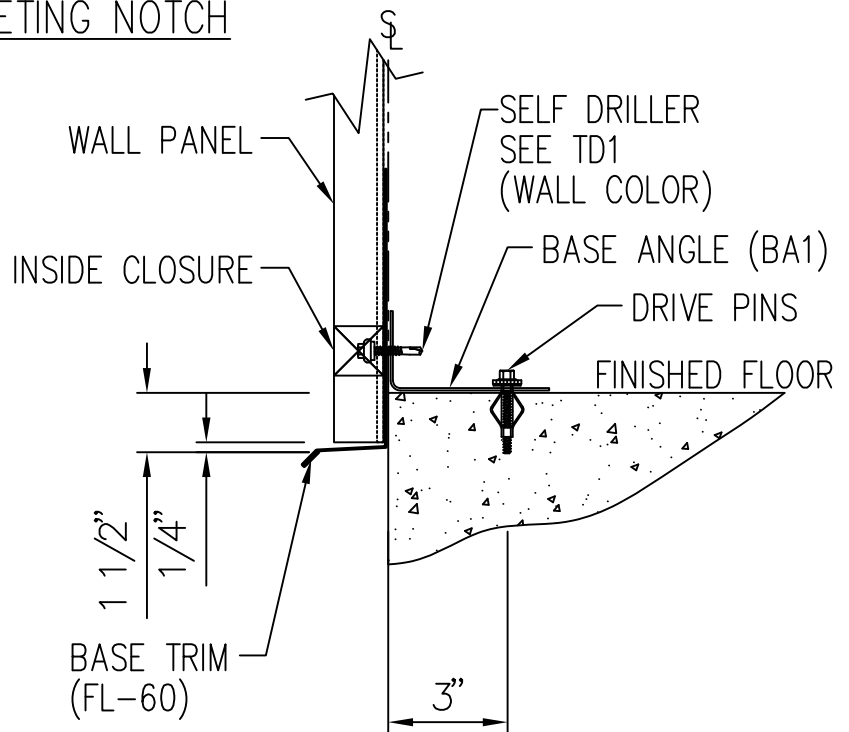
# Framed Opening Jamb Detail - RPBU

DRAWING NO.

TD58



BASE DETAIL WITH SHEETING NOTCH



BASE DETAIL NO SHEETING NOTCH

NOTE: IF INSULATION IS REQUIRED INSTALL TRIM FIRST.

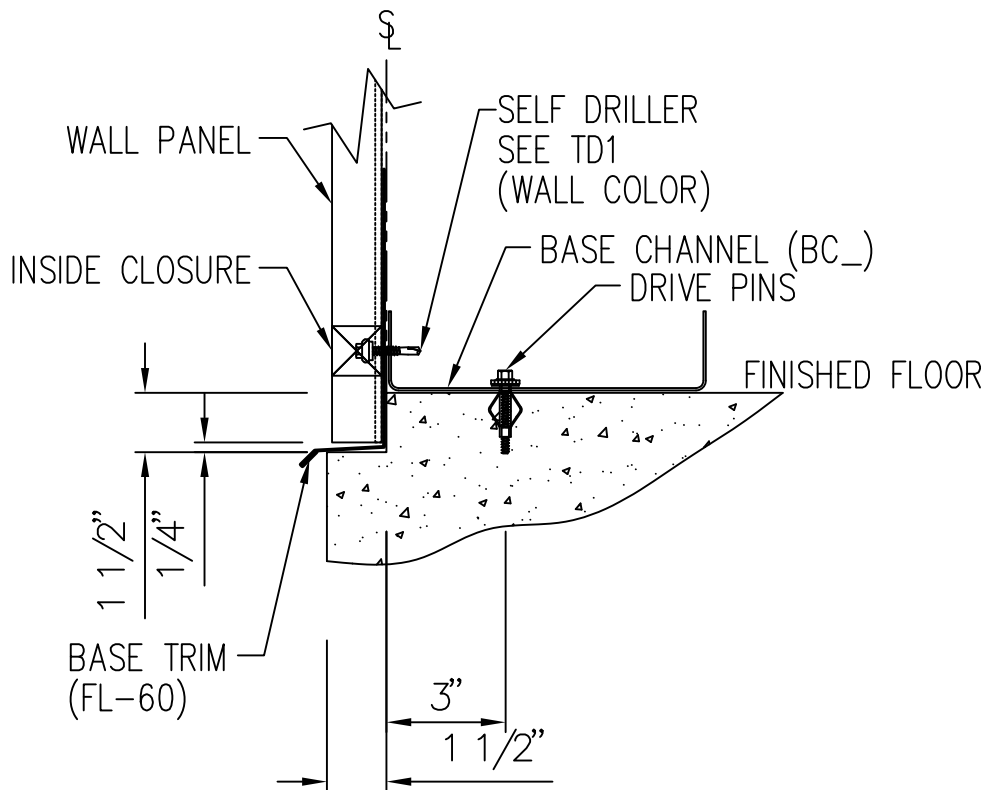
NOTE: A MINIMUM OF 1/4" SPACE SHOULD BE ALLOWED FROM THE SHEET END TO ANY SURFACE

NOTE: USE POWER DRIVEN FASTENERS SUCH AS RAMSET (OR EQUAL). 0.140Ø STRAIGHT SHANK W 1 1/4" PENETRATION AND MIN. ALLOWABLE SHEAR OF 220# (2'-0" O.C.)(NOT BY GWB)

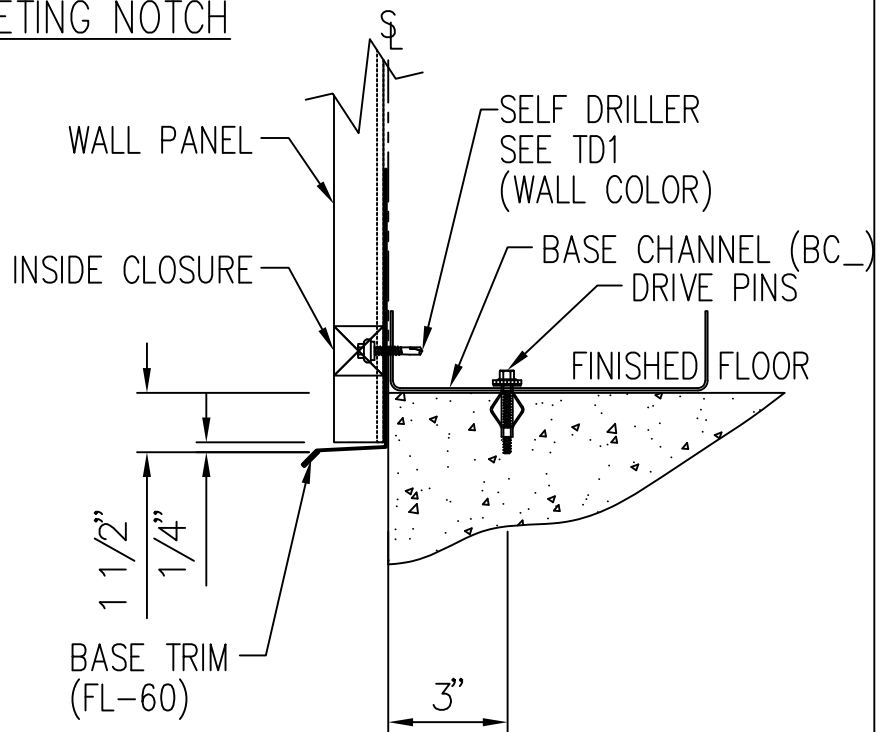
Base Angle w/Trim Details

DRAWING NO.

TD74



BASE DETAIL WITH SHEETING NOTCH



BASE DETAIL NO SHEETING NOTCH

NOTE: IF INSULATION IS REQUIRED INSTALL TRIM FIRST.

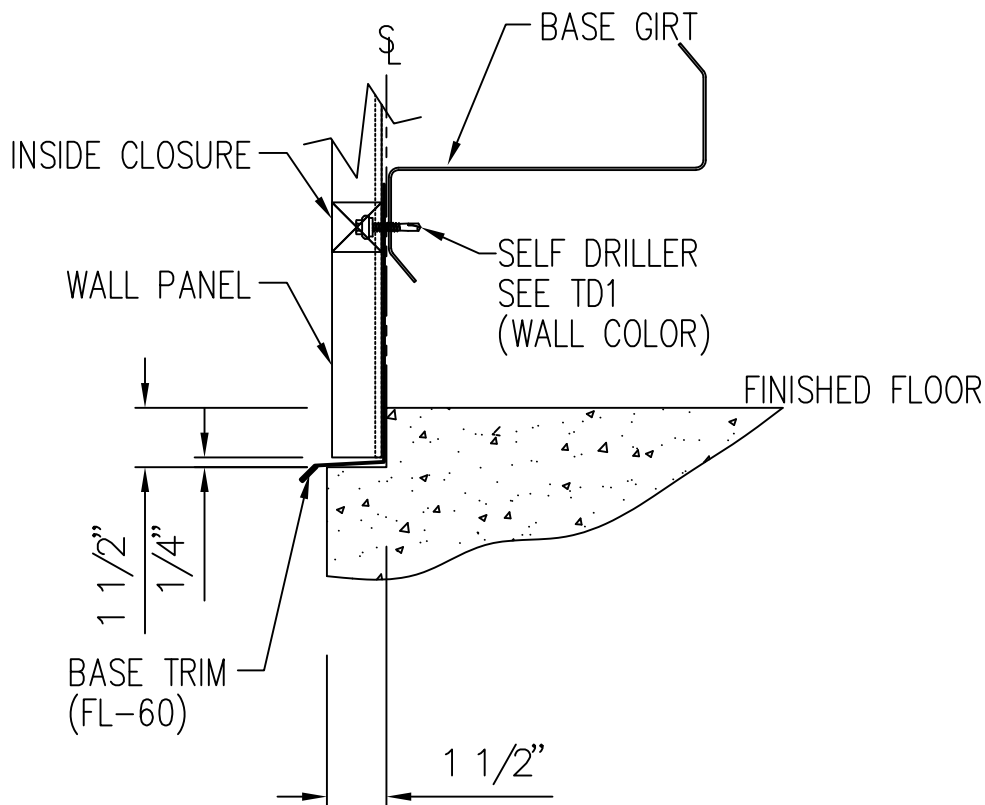
NOTE: A MINIMUM OF 1/4" SPACE SHOULD BE ALLOWED FROM THE SHEET END TO ANY SURFACE

NOTE: USE POWER DRIVEN FASTENERS SUCH AS RAMSET (OR EQUAL). 0.140Ø STRAIGHT SHANK W 1 1/4" PENETRATION AND MIN. ALLOWABLE SHEAR OF 220# (2'-0" O.C.)(NOT BY GWB)

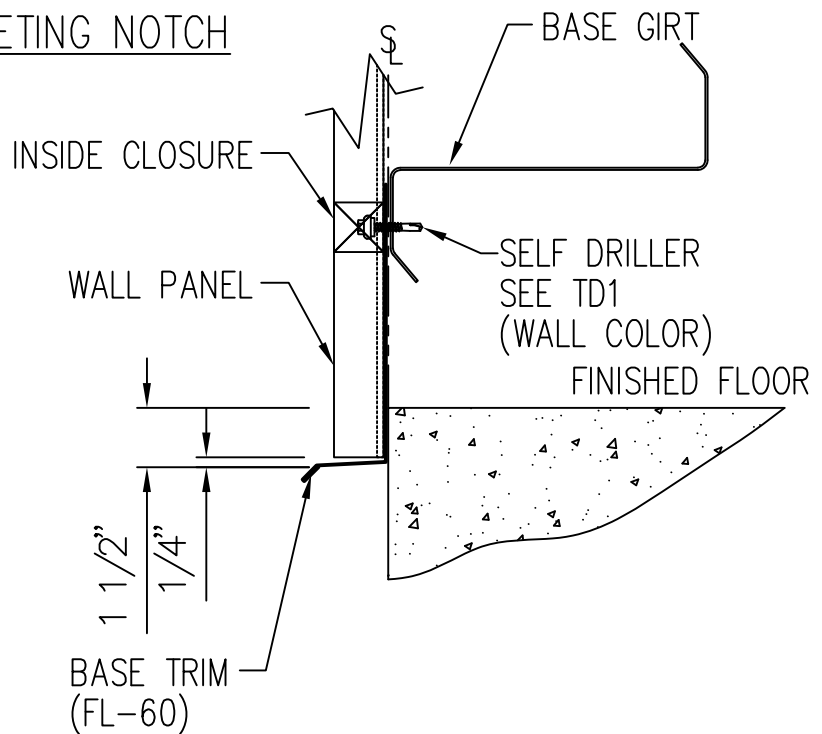
Base Channel w/Trim Details

DRAWING NO.

TD75



BASE DETAIL WITH SHEETING NOTCH



BASE DETAIL NO SHEETING NOTCH

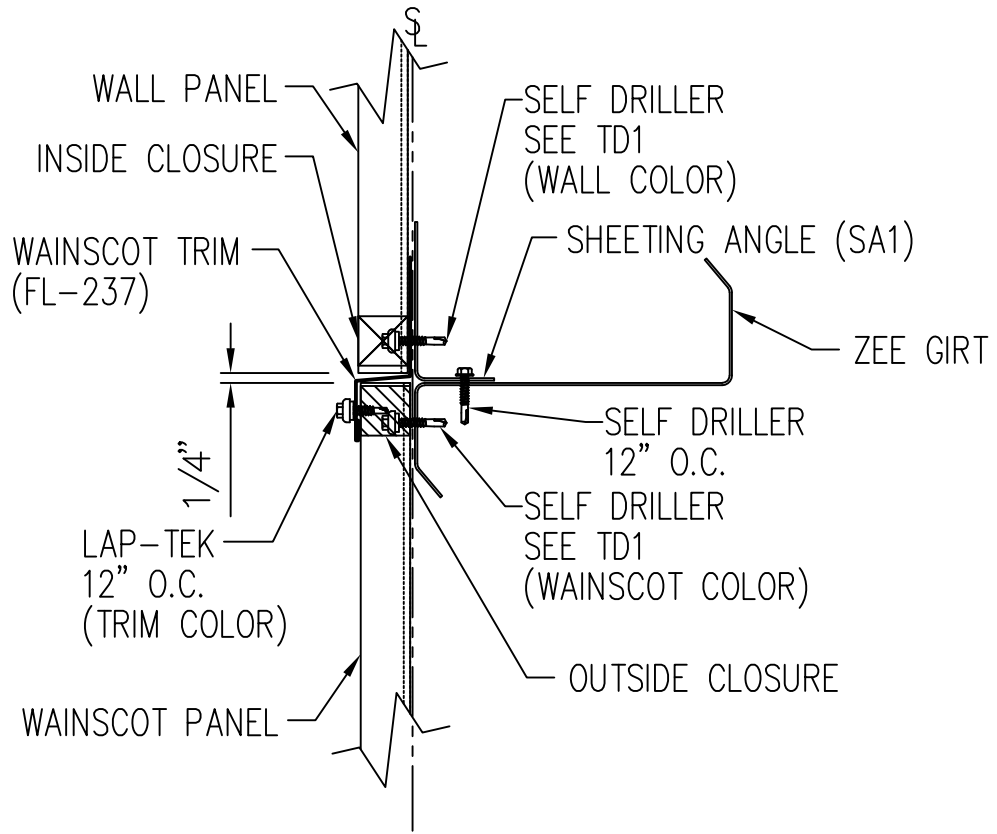
NOTE: IF INSULATION IS REQUIRED INSTALL TRIM FIRST.

NOTE: A MINIMUM OF 1/4" SPACE SHOULD BE ALLOWED FROM THE SHEET END TO ANY SURFACE

Base Girt w/Trim Details

DRAWING NO.

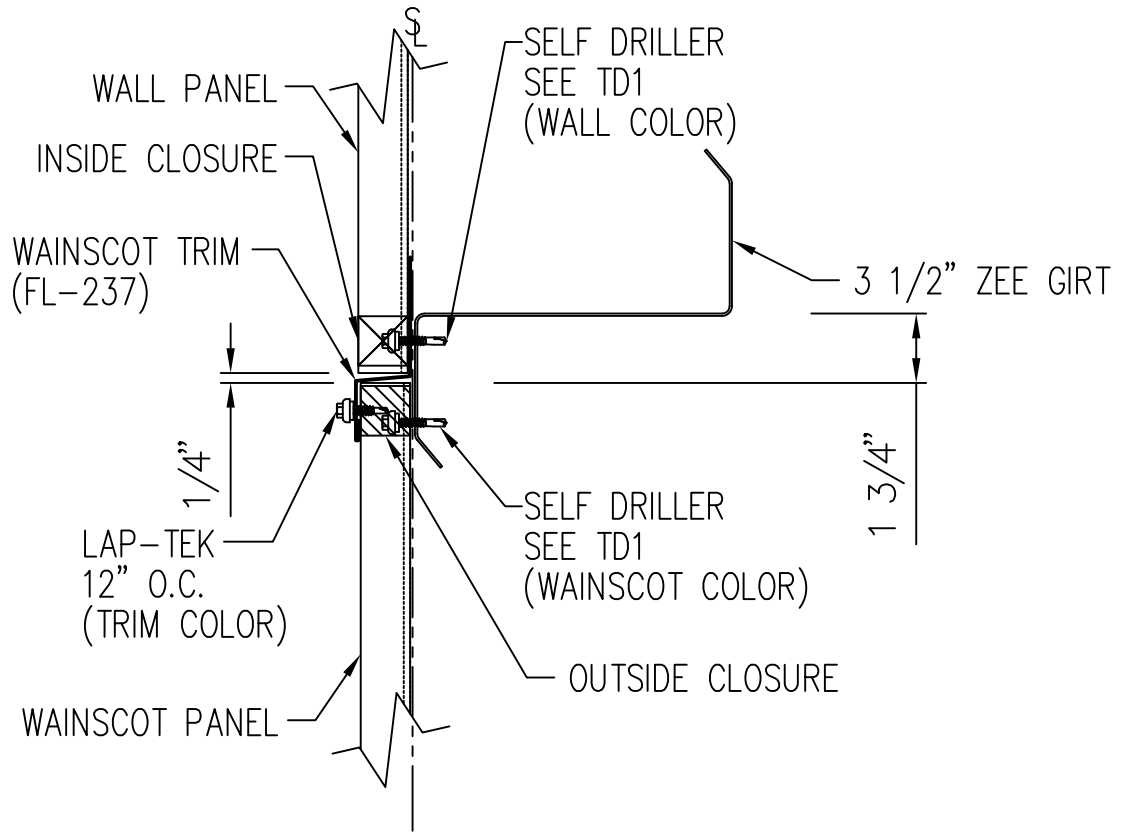
TD76



Wainscot with Panel Break - PBR

DRAWING NO.

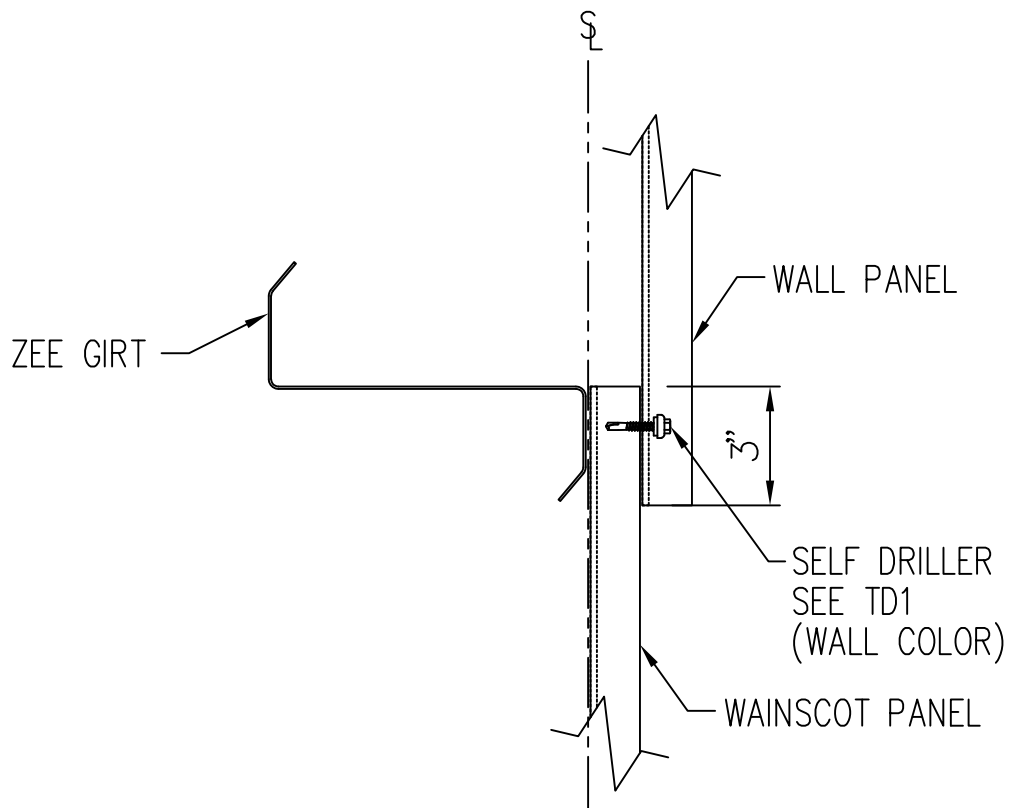
TD198



Wainscot with Panel Break - PBR

DRAWING NO.

TD199

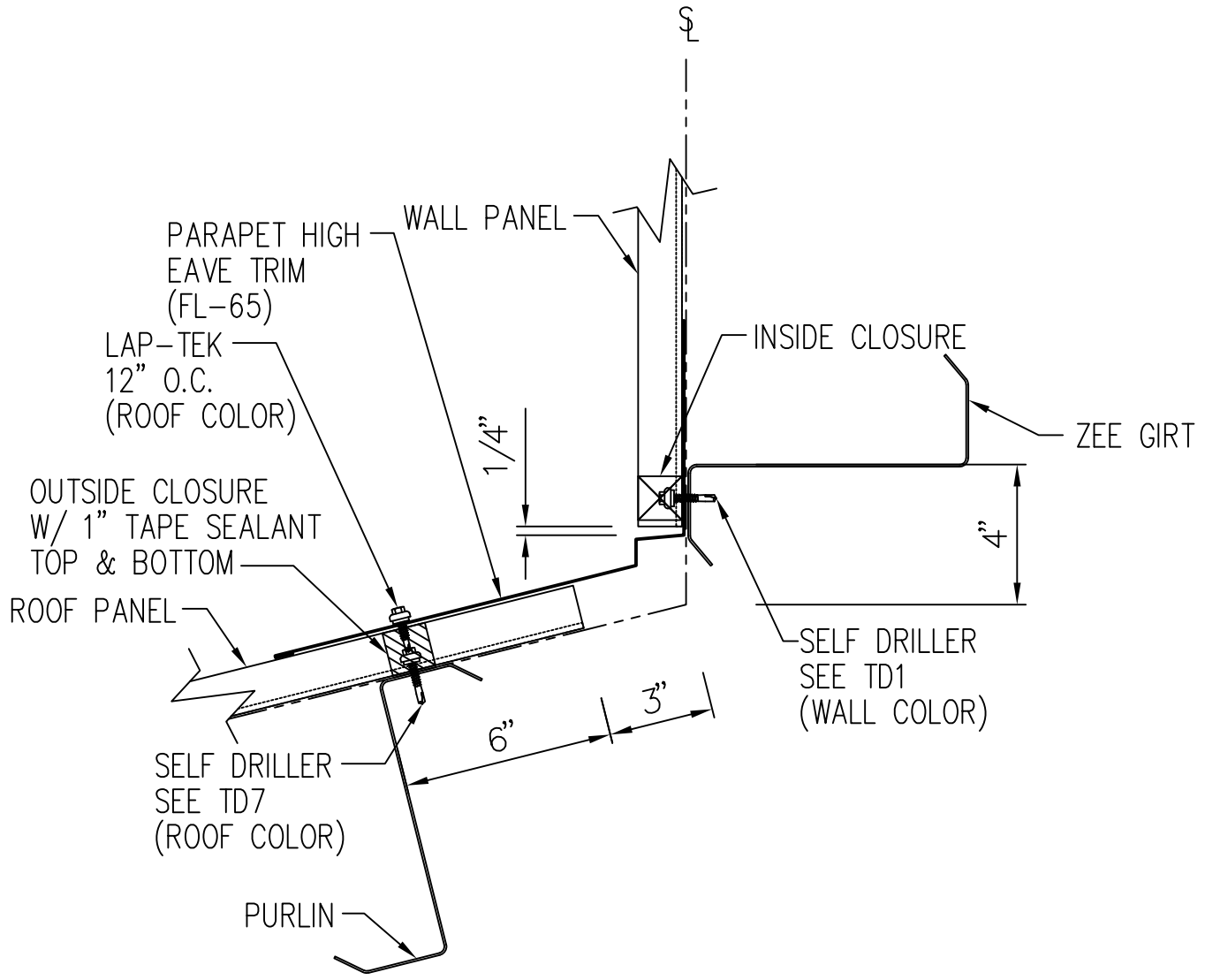


Wainscot with Panel Lap – PBR

DRAWING NO.

TD199



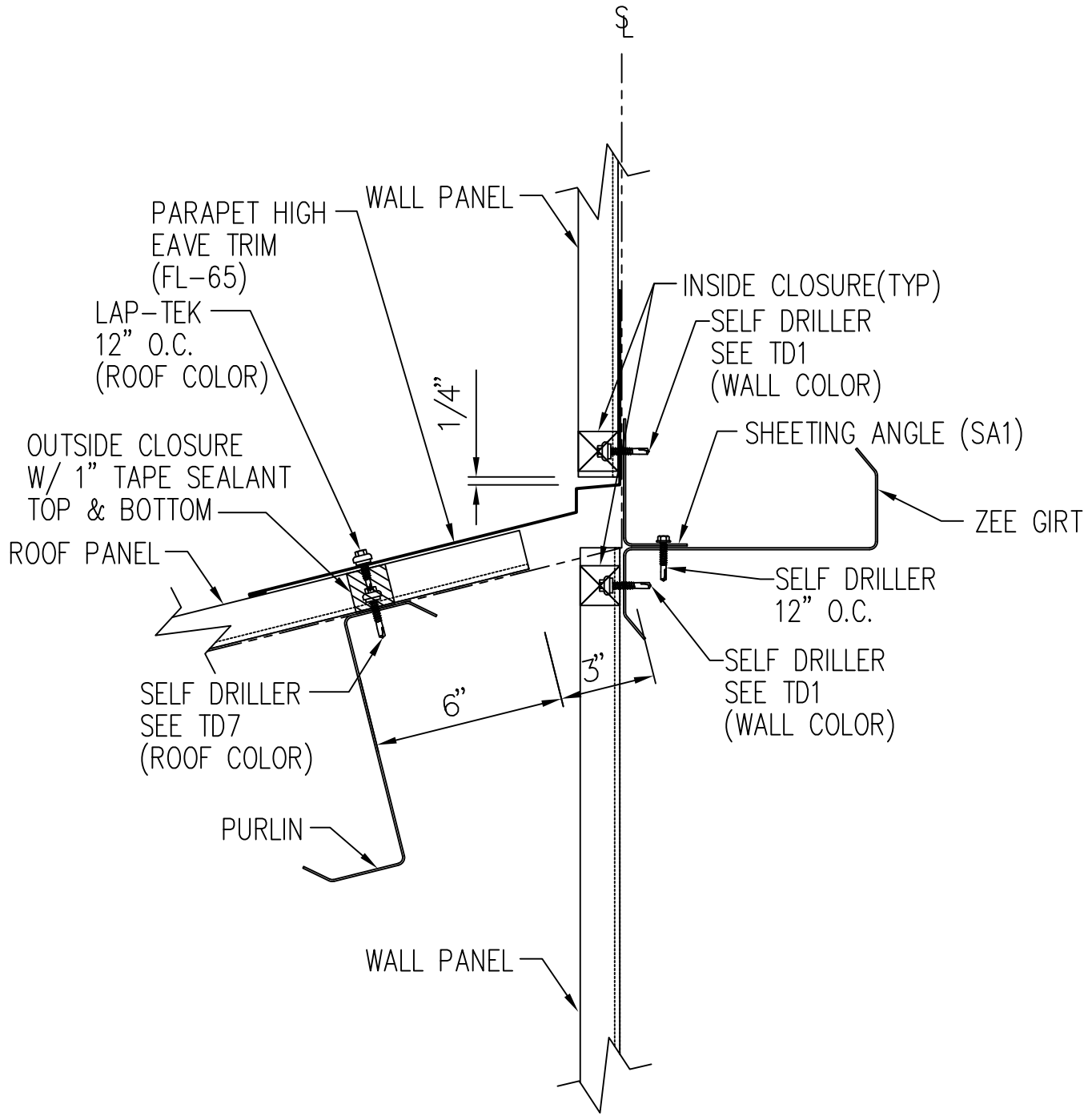


# High Eave Parapet Detail – PBR

Open Wall – No Soffit

DRAWING NO.

TD207

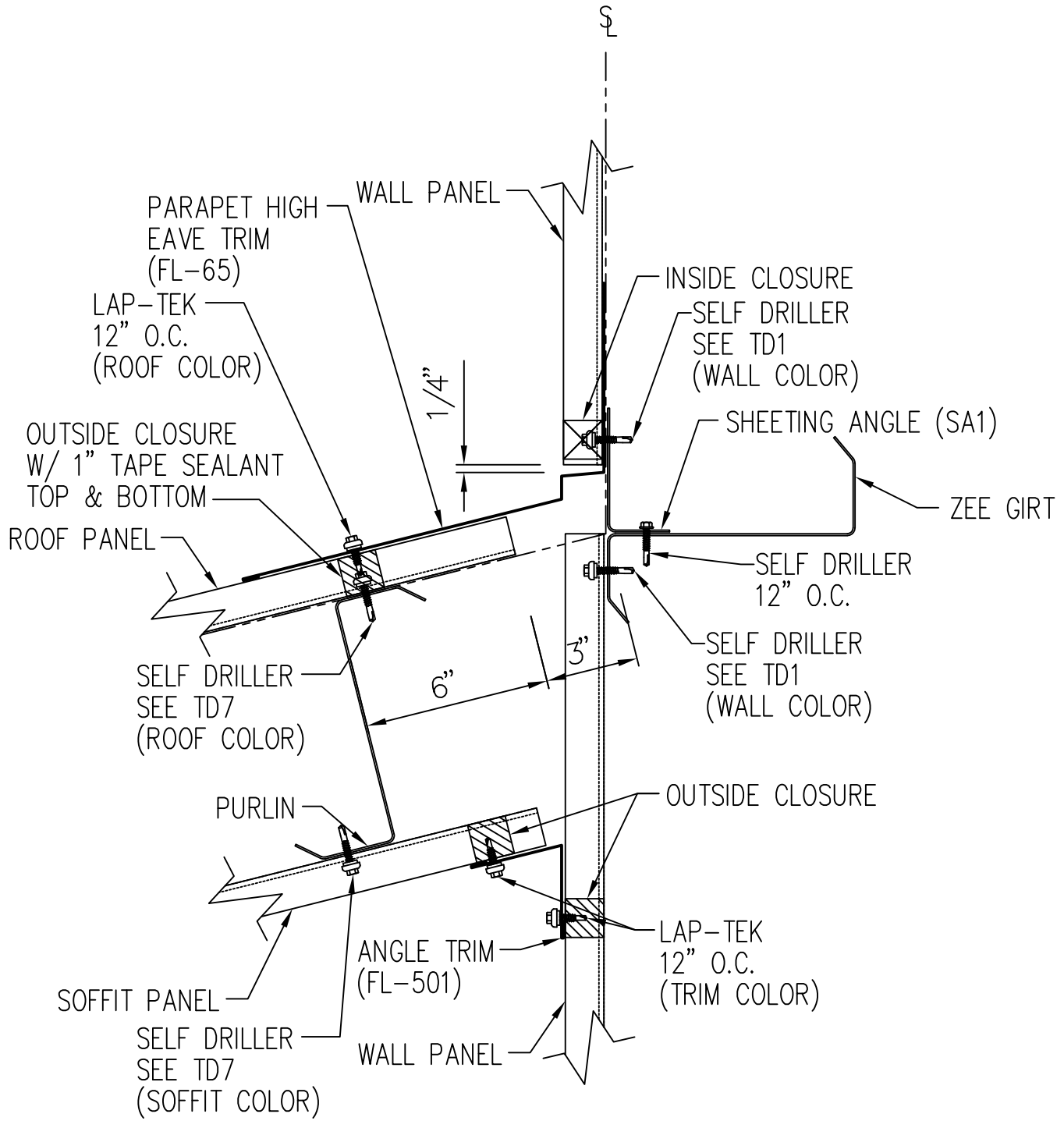


# High Eave Parapet Detail – PBR

Sheeted Wall – No Soffit

DRAWING NO.

TD207

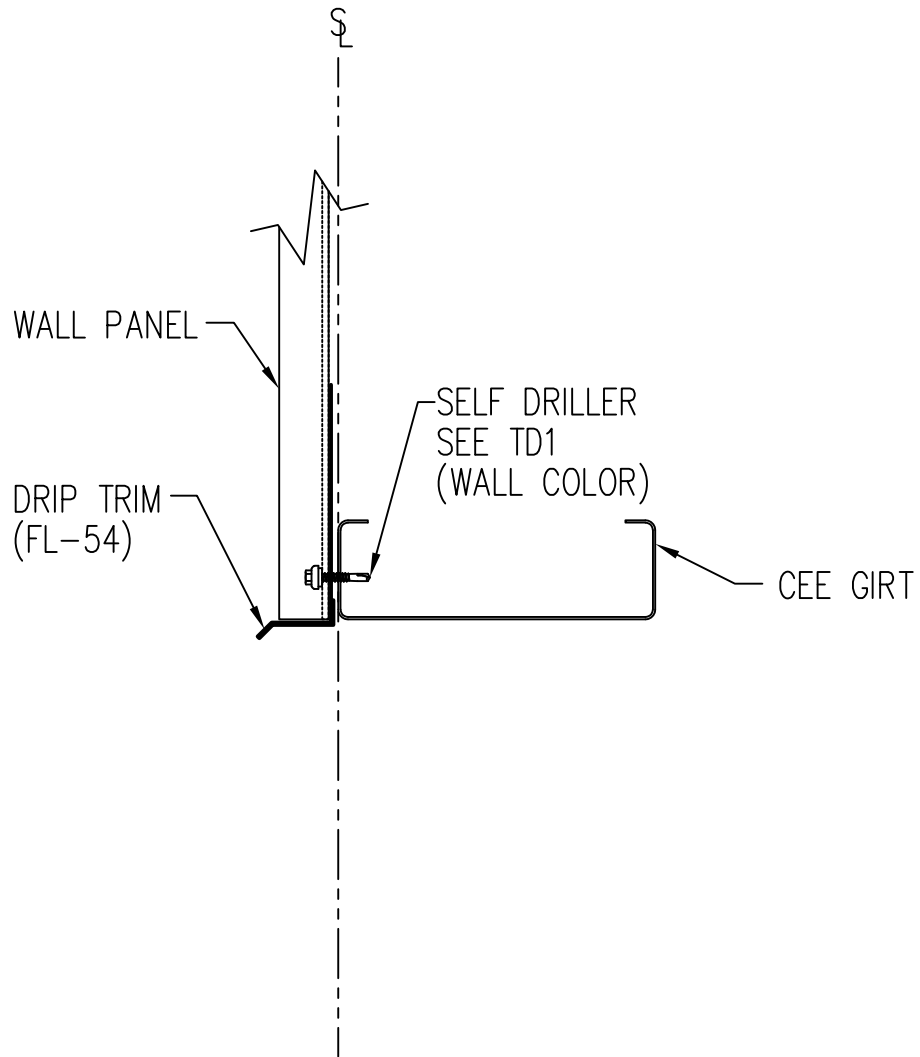


# High Eave Parapet Detail – PBR

Sheeted Wall – With Soffit

DRAWING NO.

TD208

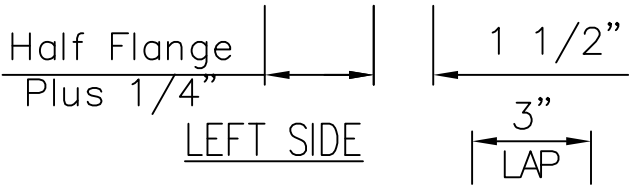
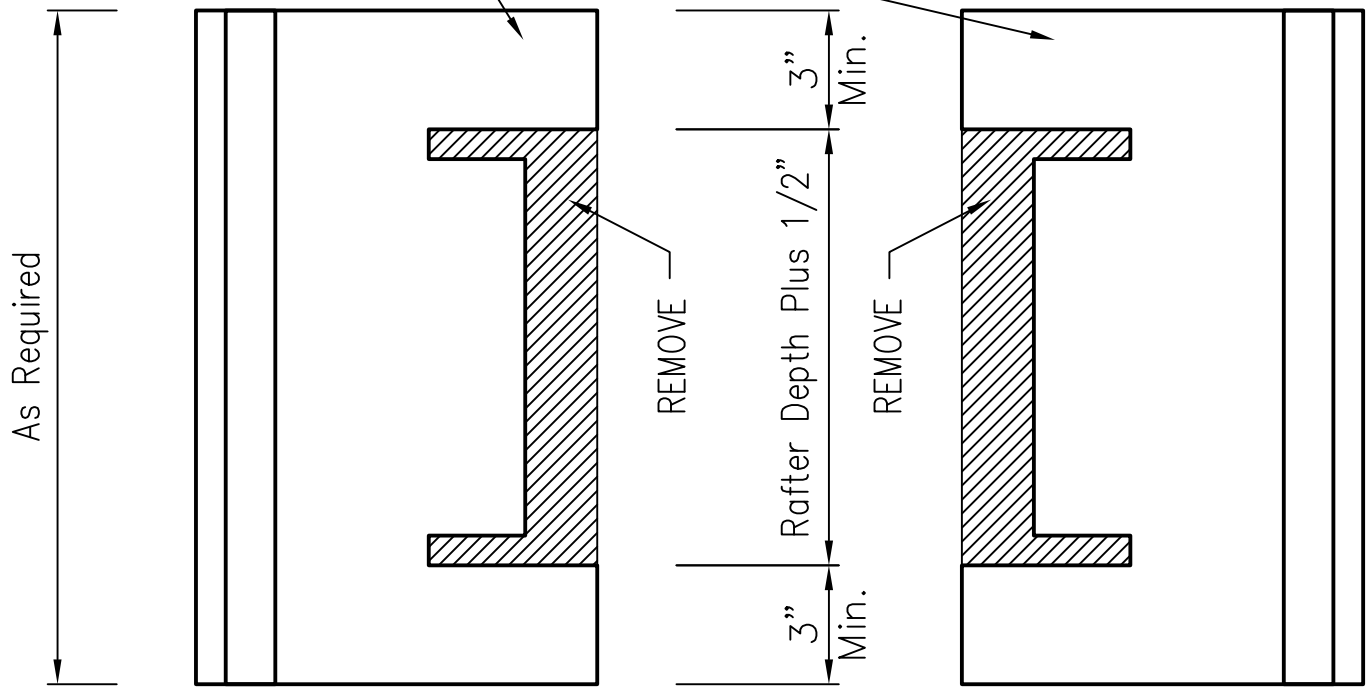


Open Wall Base - PBR

DRAWING NO.

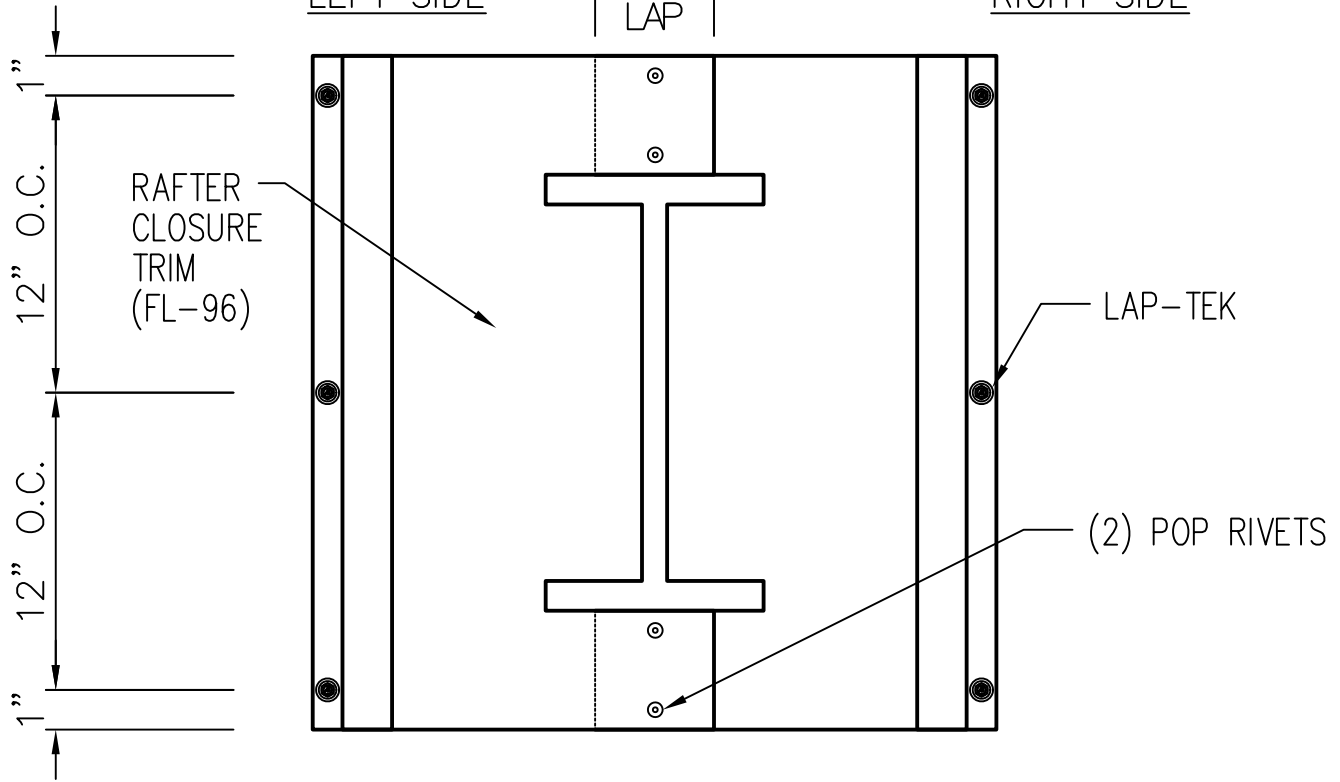
TD240

RAFTER CLOSURE TRIM  
(FL-96)



LEFT SIDE

RIGHT SIDE



Wall Closure Detail at Rafter

DRAWING NO.

TD250