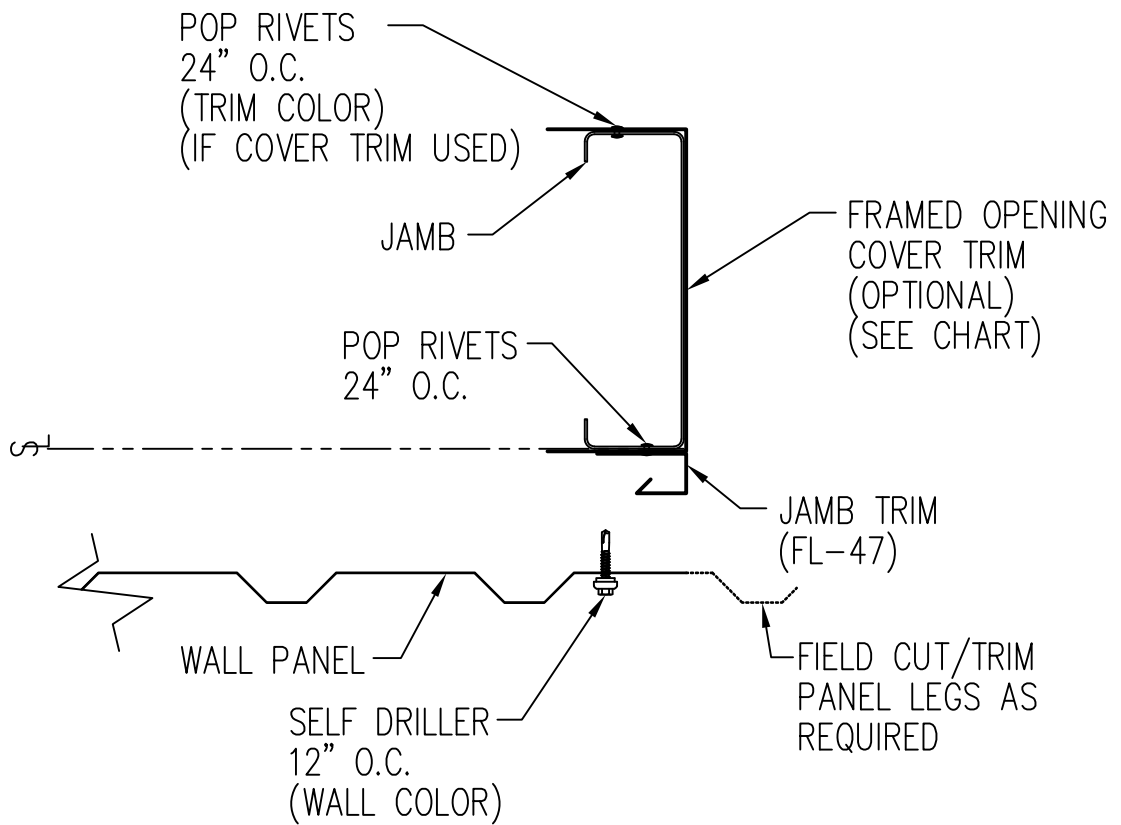


Section at Corner Detail - PBU

DRAWING NO.

TD43

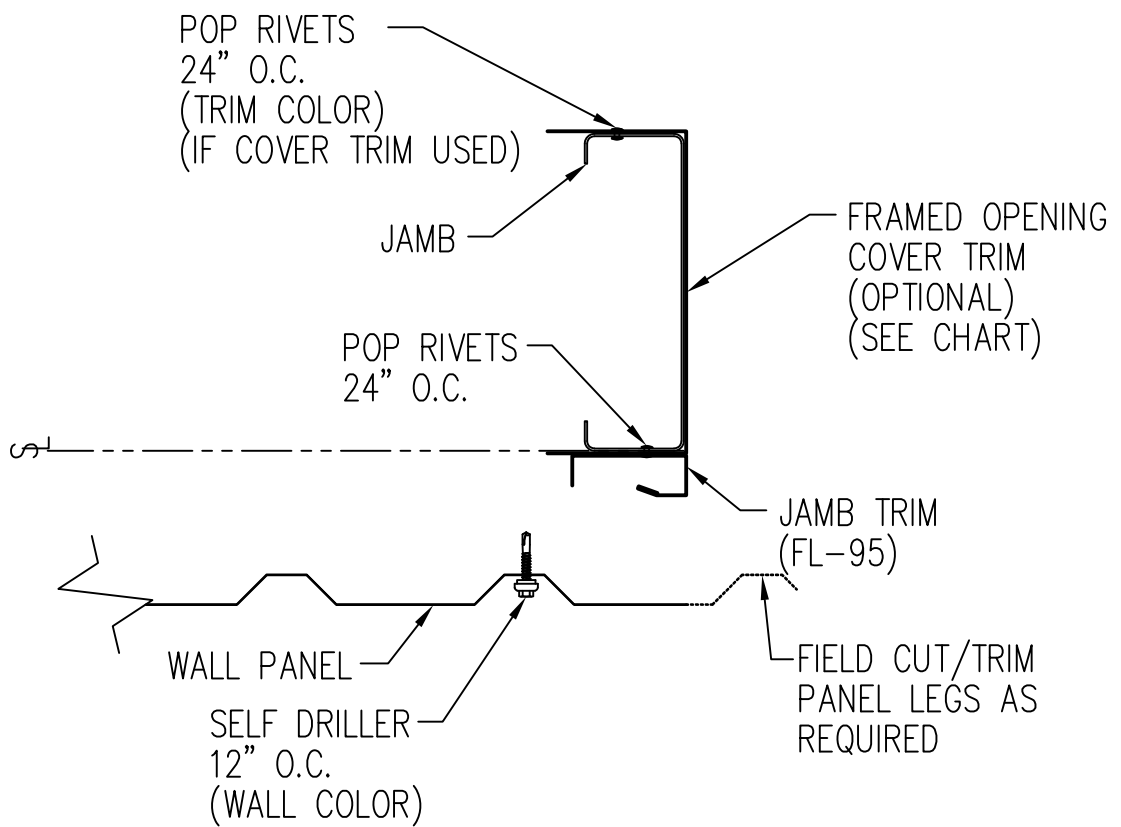


| TRIM CHART | |
|------------|------------|
| GIRT SIZE | PIECE MARK |
| 8" | FL-55 |
| 10" | FL-300 |
| 12" | FL-301 |

Framed Opening Jamb Detail - PBU

DRAWING NO.

TD56

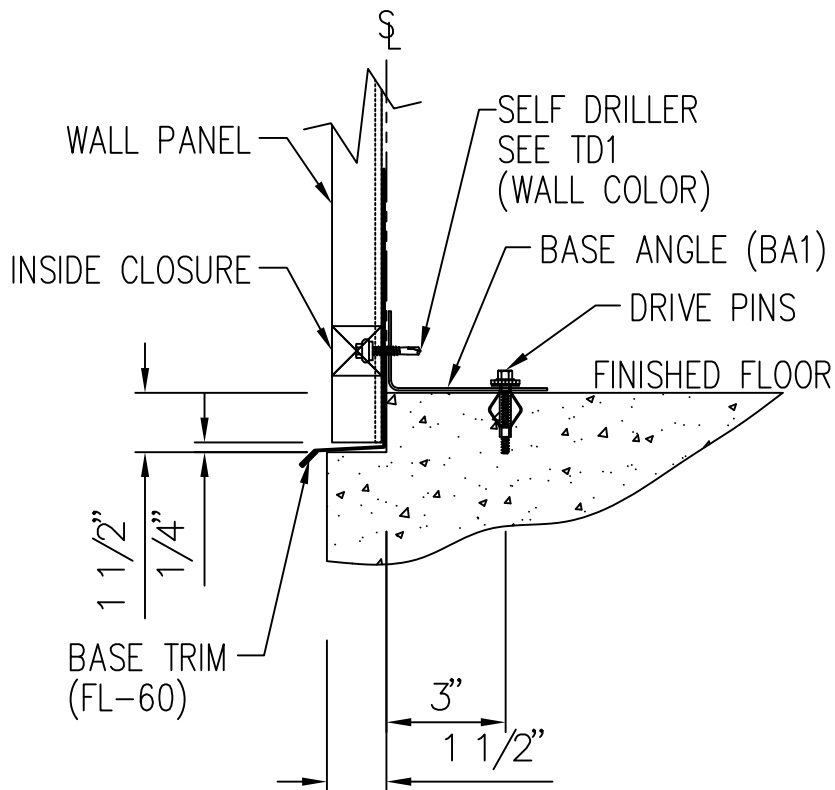


| TRIM CHART | |
|------------|------------|
| GIRT SIZE | PIECE MARK |
| 8" | FL-55 |
| 10" | FL-300 |
| 12" | FL-301 |

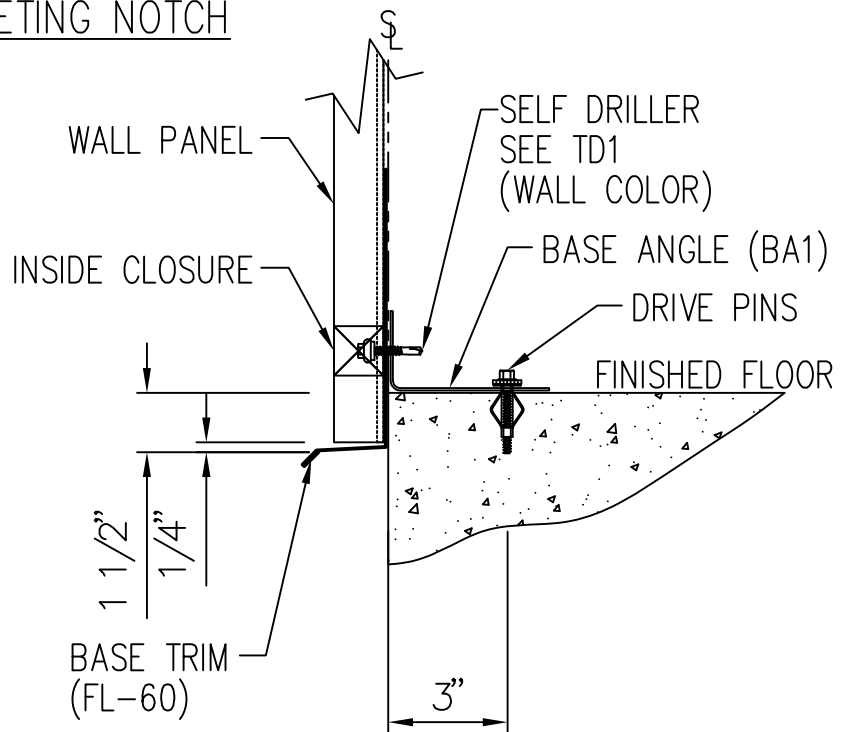
Framed Opening Jamb Detail - RPBU

DRAWING NO.

TD58



BASE DETAIL WITH SHEETING NOTCH



BASE DETAIL NO SHEETING NOTCH

NOTE: IF INSULATION IS REQUIRED INSTALL TRIM FIRST.

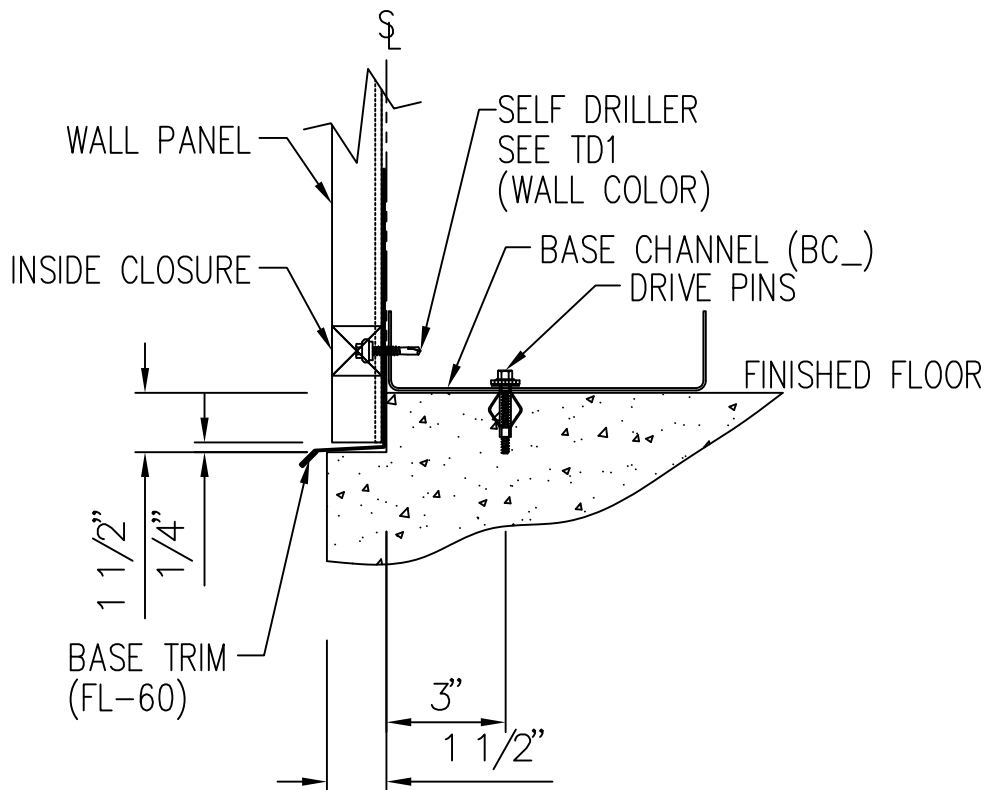
NOTE: A MINIMUM OF 1/4" SPACE SHOULD BE ALLOWED FROM THE SHEET END TO ANY SURFACE

NOTE: USE POWER DRIVEN FASTENERS SUCH AS RAMSET (OR EQUAL). 0.140Ø STRAIGHT SHANK W 1 1/4" PENETRATION AND MIN. ALLOWABLE SHEAR OF 220# (2'-0" O.C.)(NOT BY GWB)

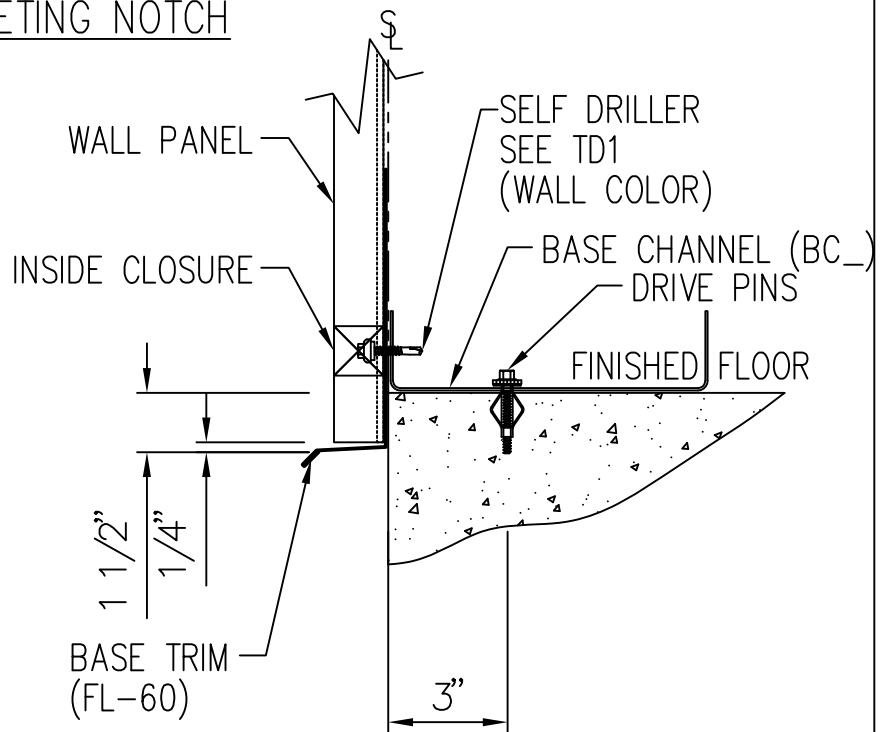
Base Angle w/Trim Details

DRAWING NO.

TD74



BASE DETAIL WITH SHEETING NOTCH



BASE DETAIL NO SHEETING NOTCH

NOTE: IF INSULATION IS REQUIRED INSTALL TRIM FIRST.

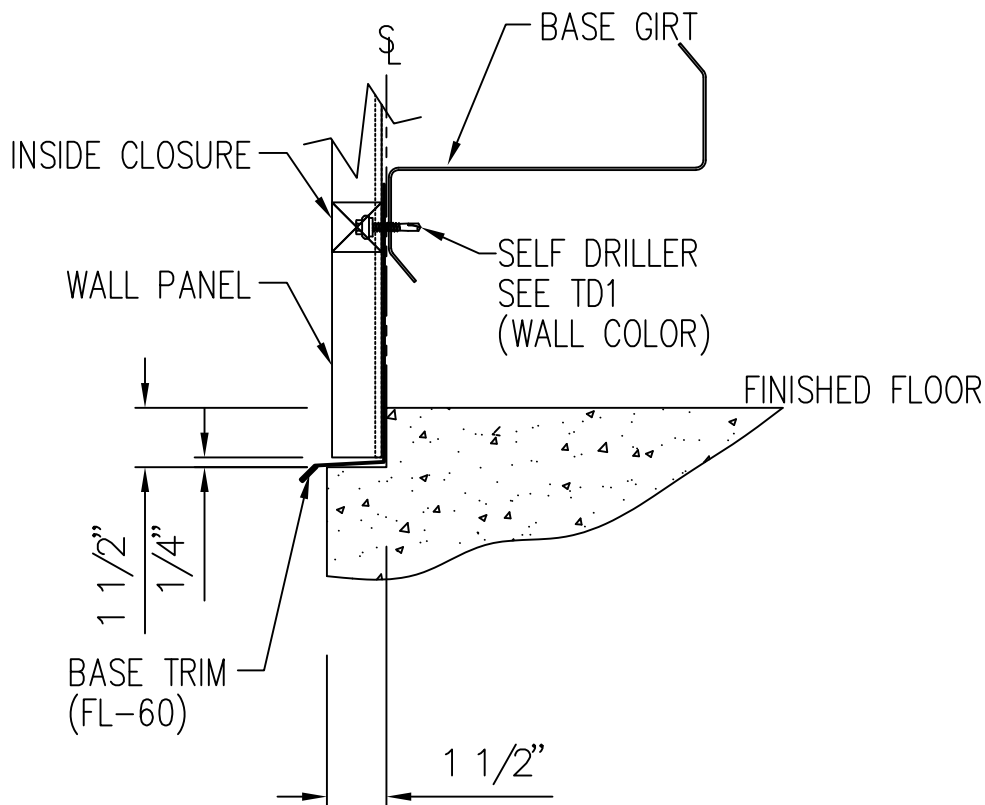
NOTE: A MINIMUM OF 1/4" SPACE SHOULD BE ALLOWED FROM THE SHEET END TO ANY SURFACE

NOTE: USE POWER DRIVEN FASTENERS SUCH AS RAMSET (OR EQUAL). 0.140Ø STRAIGHT SHANK W 1 1/4" PENETRATION AND MIN. ALLOWABLE SHEAR OF 220# (2'-0" O.C.)(NOT BY GWB)

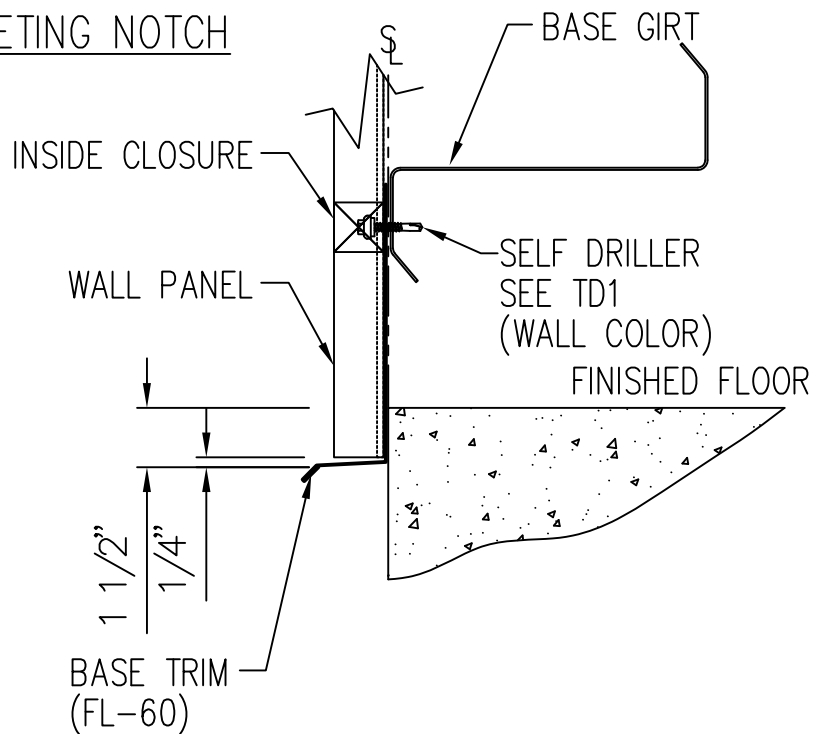
Base Channel w/Trim Details

DRAWING NO.

TD75



BASE DETAIL WITH SHEETING NOTCH



BASE DETAIL NO SHEETING NOTCH

NOTE: IF INSULATION IS REQUIRED INSTALL TRIM FIRST.

NOTE: A MINIMUM OF 1/4" SPACE SHOULD BE ALLOWED FROM THE SHEET END TO ANY SURFACE

Base Girt w/Trim Details

DRAWING NO.

TD76