

RAKE SUPPORT CHART	
STANDOFF	PIECE MARK
3/8"	RSA338
1 3/8"	RSA438

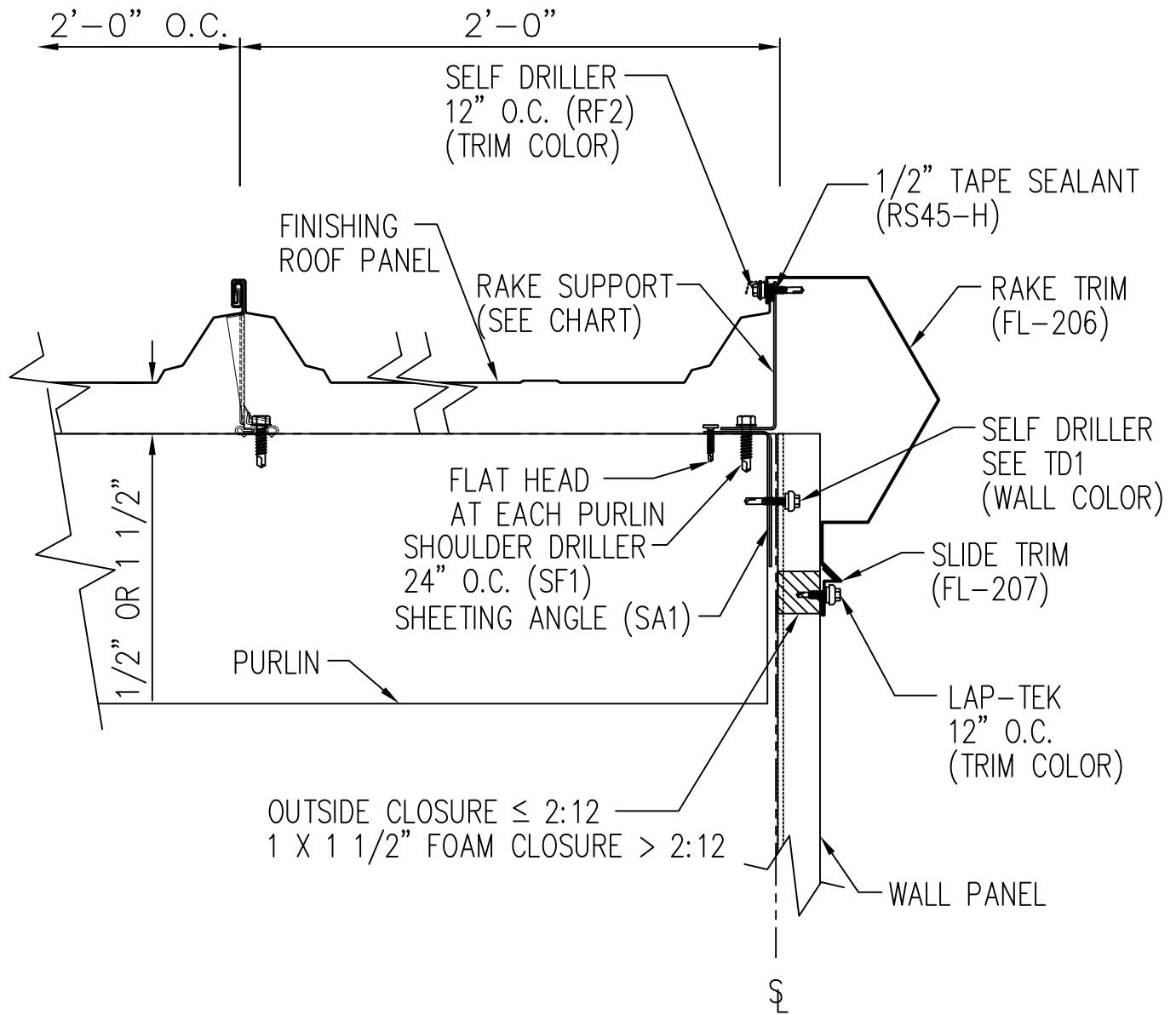
NOTE: FIELD SLOPE CUT WALL PANELS AS REQUIRED FOR ROOF SLOPE

Starting Rake Detail - TS-324

Sculptured Rake - Sheeted Wall

DRAWING NO.

TD112



RAKE SUPPORT CHART	
STANDOFF	PIECE MARK
3/8"	RSA338
1 3/8"	RSA438

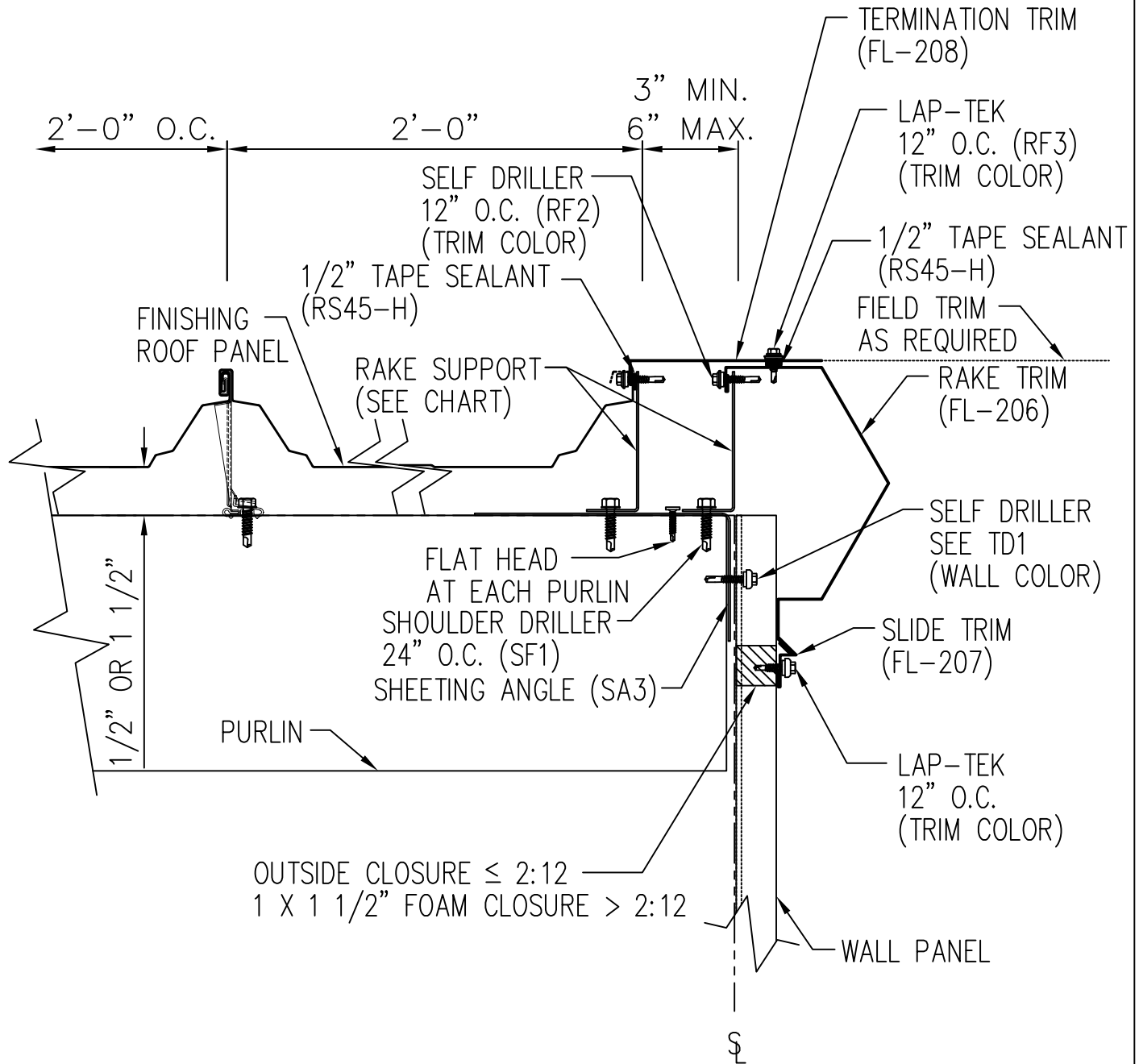
NOTE: FIELD CUT/CRIMP TOP LEG OF PANEL PRIOR TO INSTALLING RAKE TRIM
 NOTE: FIELD SLOPE CUT WALL PANELS AS REQUIRED FOR ROOF SLOPE

Finishing Rake Detail – TS-324

Sculptured Rake – Sheeted Wall (On Module)

DRAWING NO.

TD113



OUTSIDE CLOSURE \leq 2:12
 1 X 1 1/2" FOAM CLOSURE $>$ 2:12

RAKE SUPPORT CHART	
STANDOFF	PIECE MARK
3/8"	RSA338
1 3/8"	RSA438

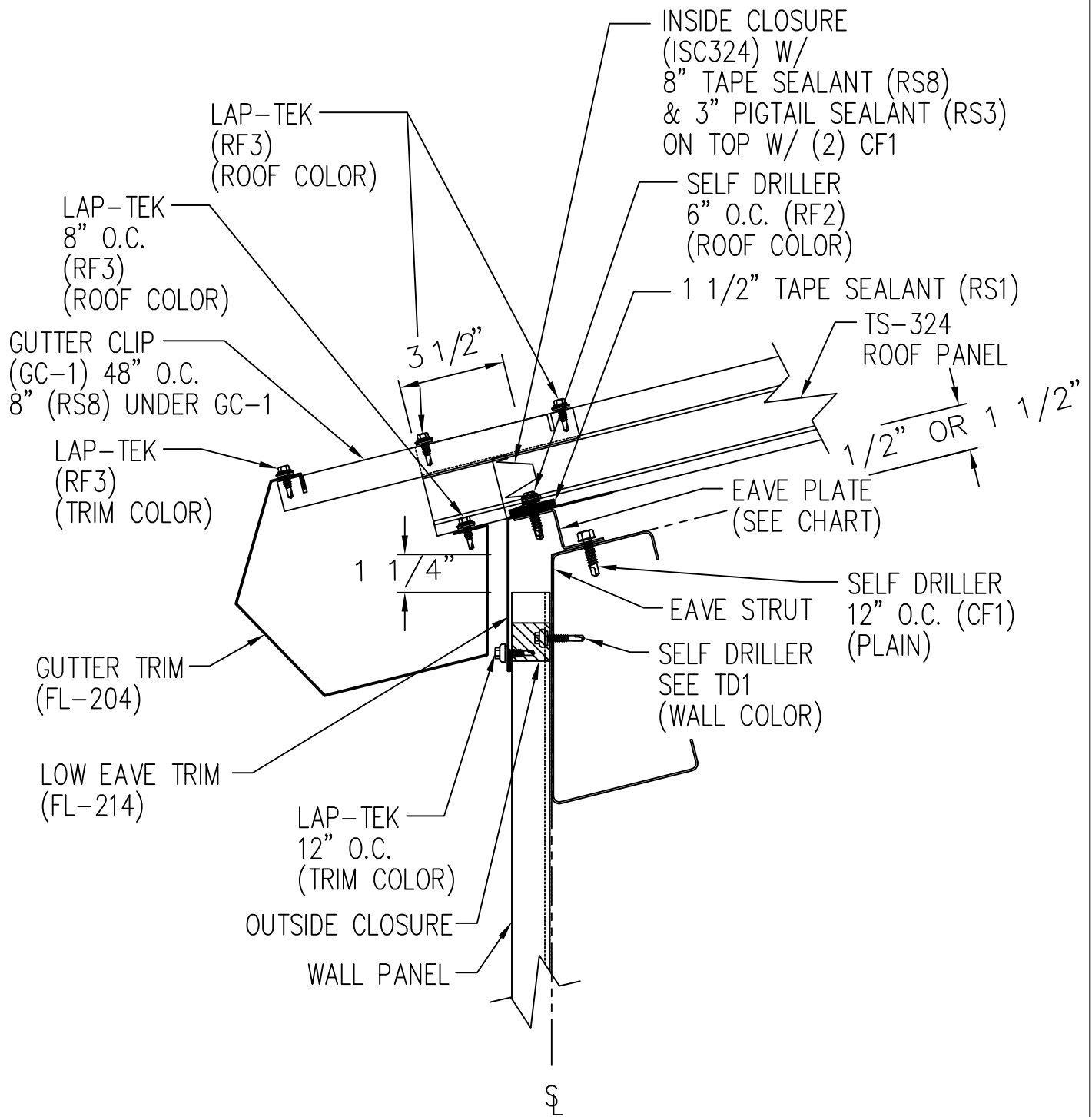
NOTE: FIELD CUT/CRIMP TOP LEG OF PANEL PRIOR TO INSTALLING RAKE TRIM
 NOTE: FIELD SLOPE CUT WALL PANELS AS REQUIRED FOR ROOF SLOPE

Finishing Rake Detail - TS-324

Sculptured Rake - Sheeted Wall (Off Module) (Option 1)

DRAWING NO.

TD114



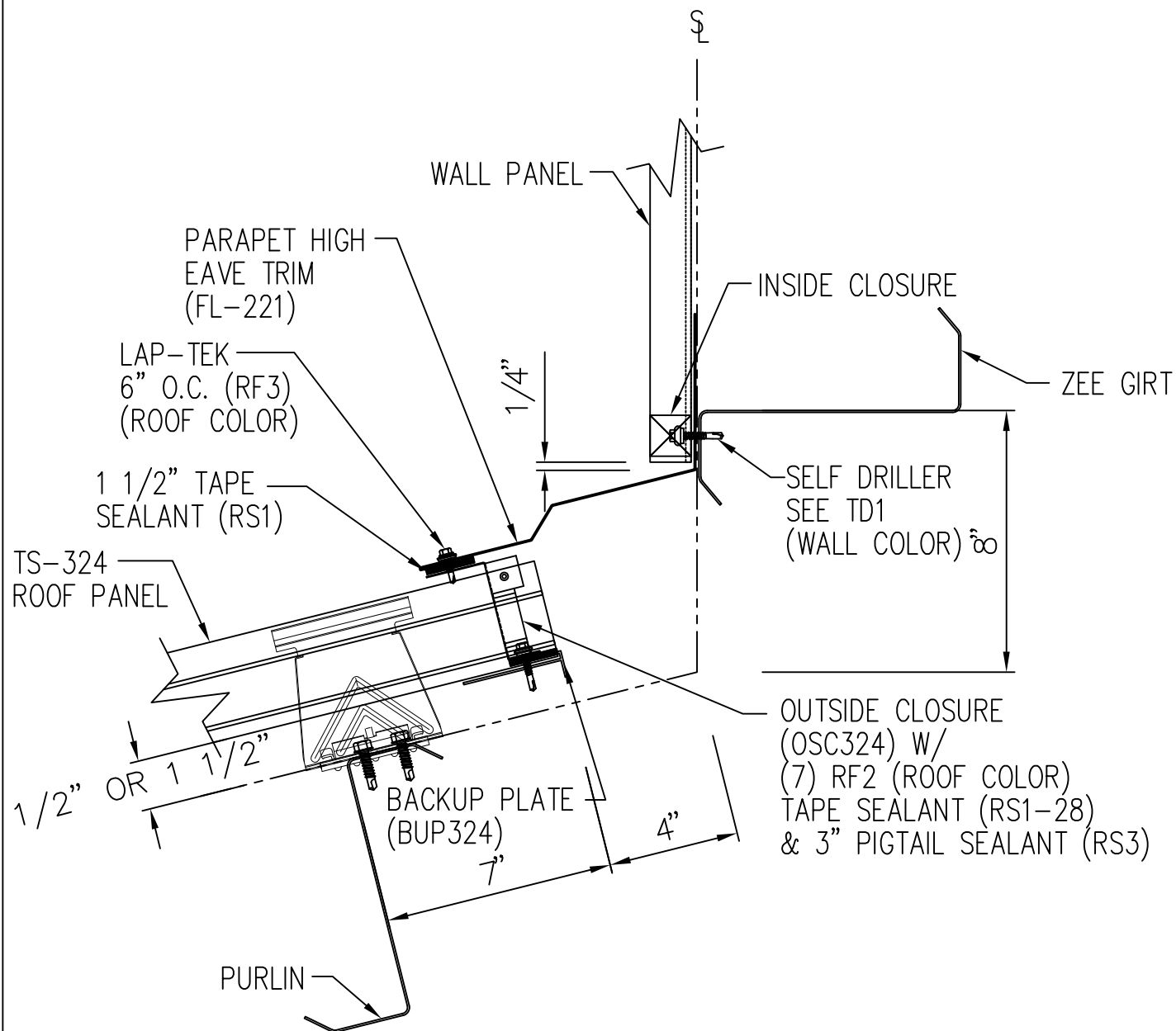
EAVE PLATE CHART	
STANDOFF	PIECE MARK
3/8"	EP038
1 3/8"	EP138

Low Eave Gutter Detail - TS-324

Sculptured Gutter - Sheeted Wall

DRAWING NO.

TD115

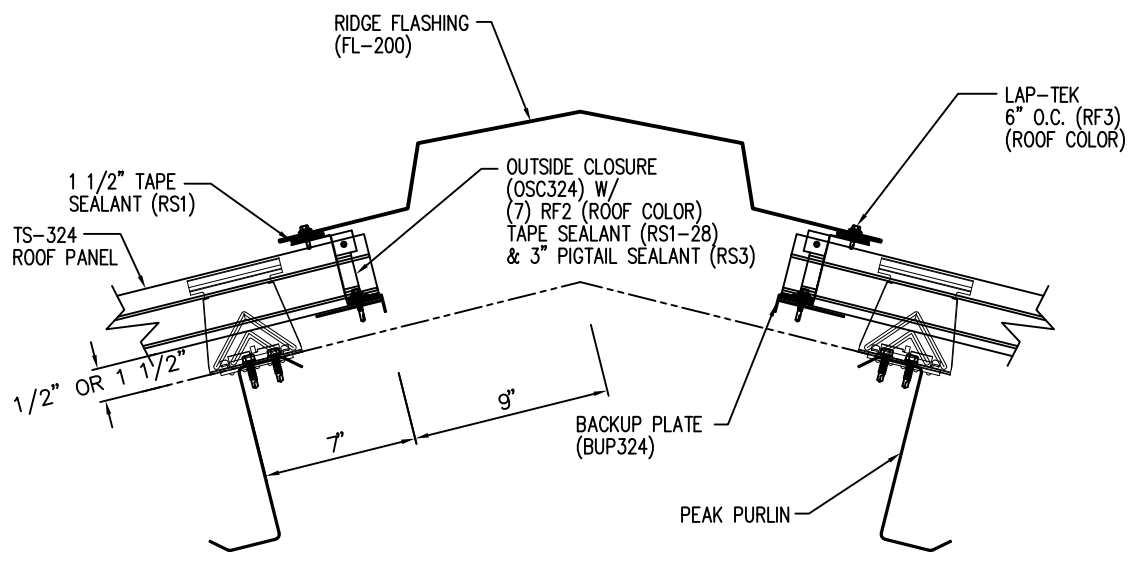


High Eave Parapet Detail - TS-324

Open Wall Below - No Soffit

DRAWING NO.

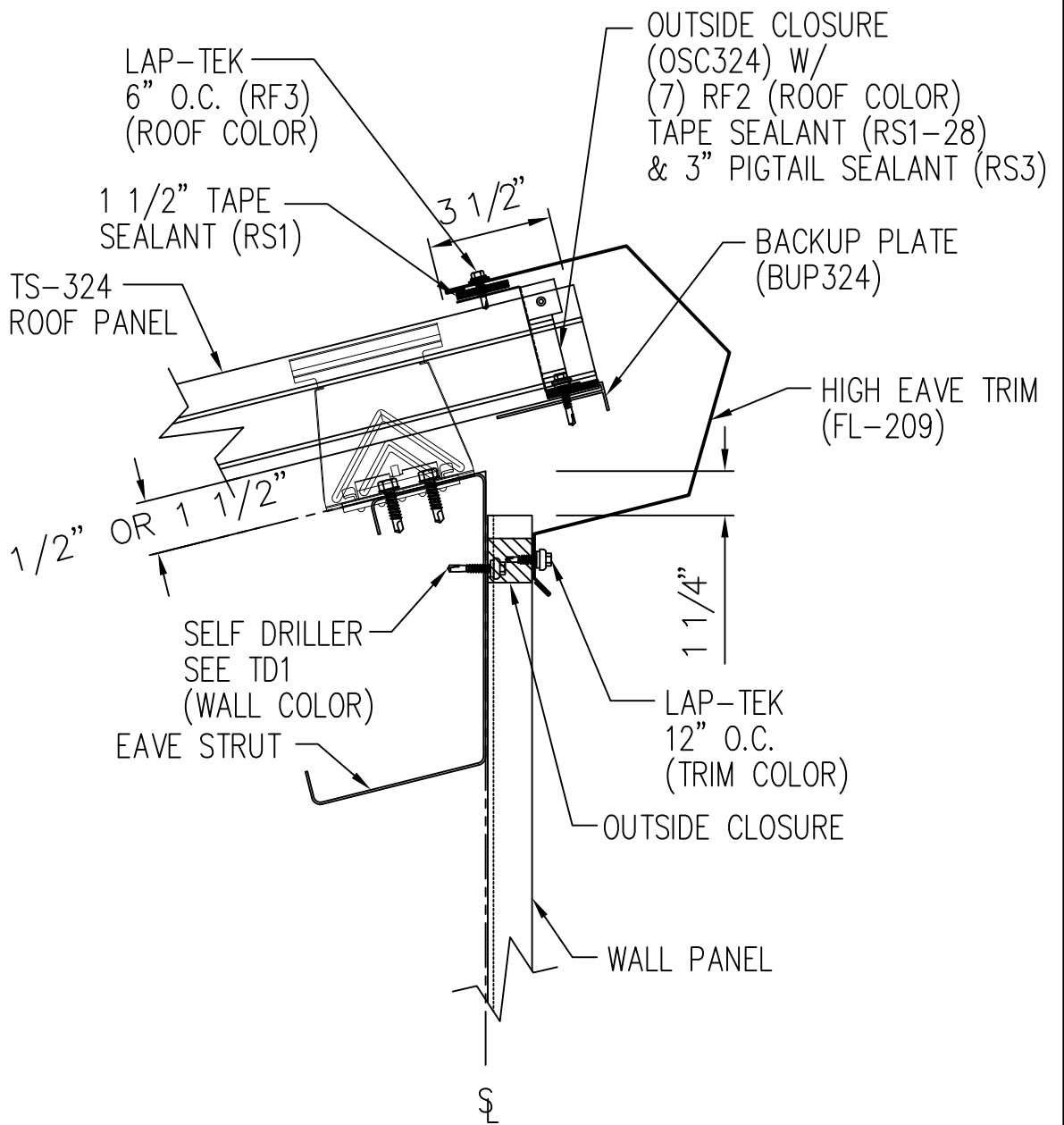
TD116



Ridge Detail - TS-324

DRAWING NO.

TD117

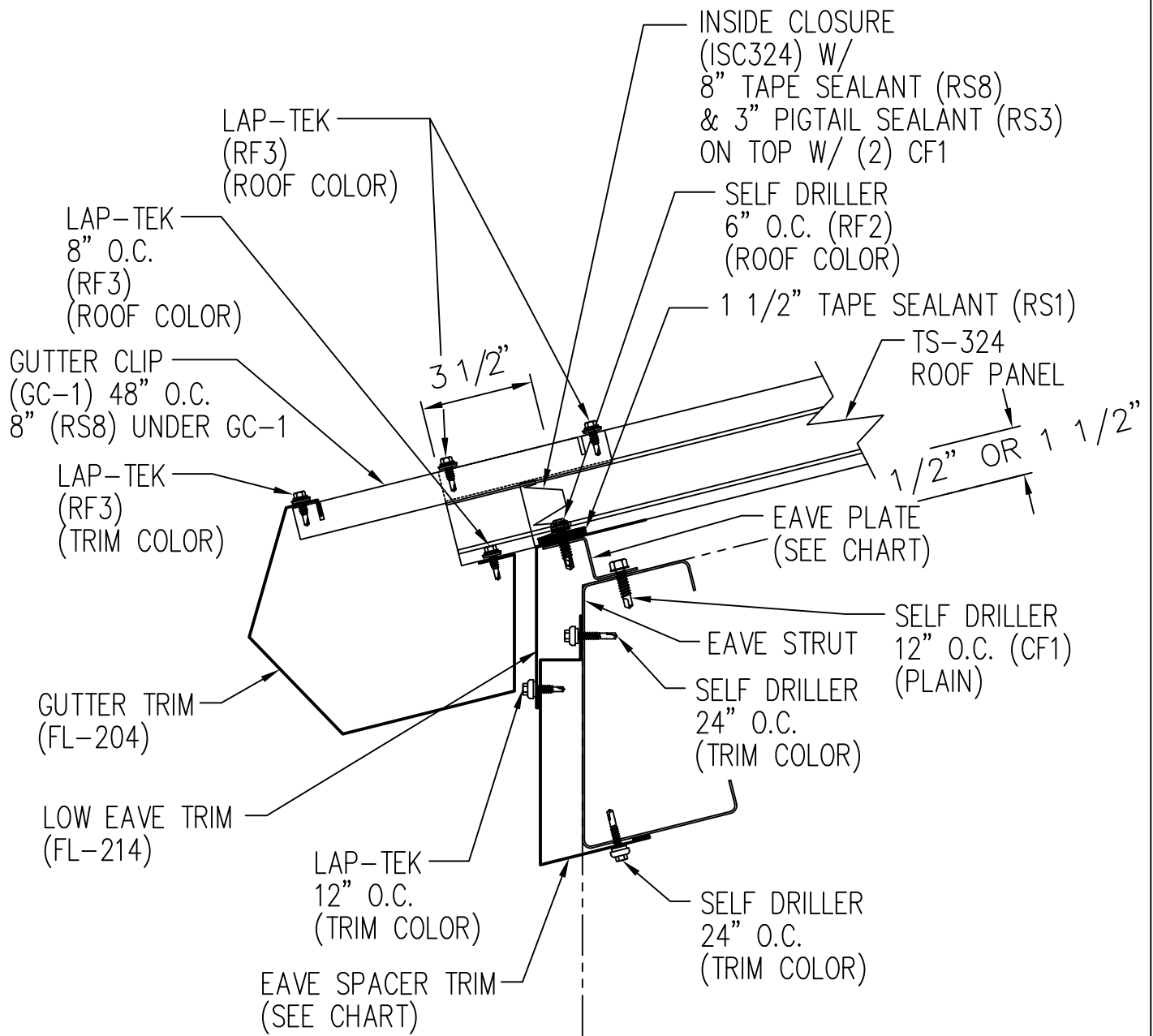


High Eave Detail - TS-324

Sculptured Eave - Sheeted Wall

DRAWING NO.

TD119



EAVE PLATE CHART	
STANDOFF	PIECE MARK
3/8"	EP038
1 3/8"	EP138

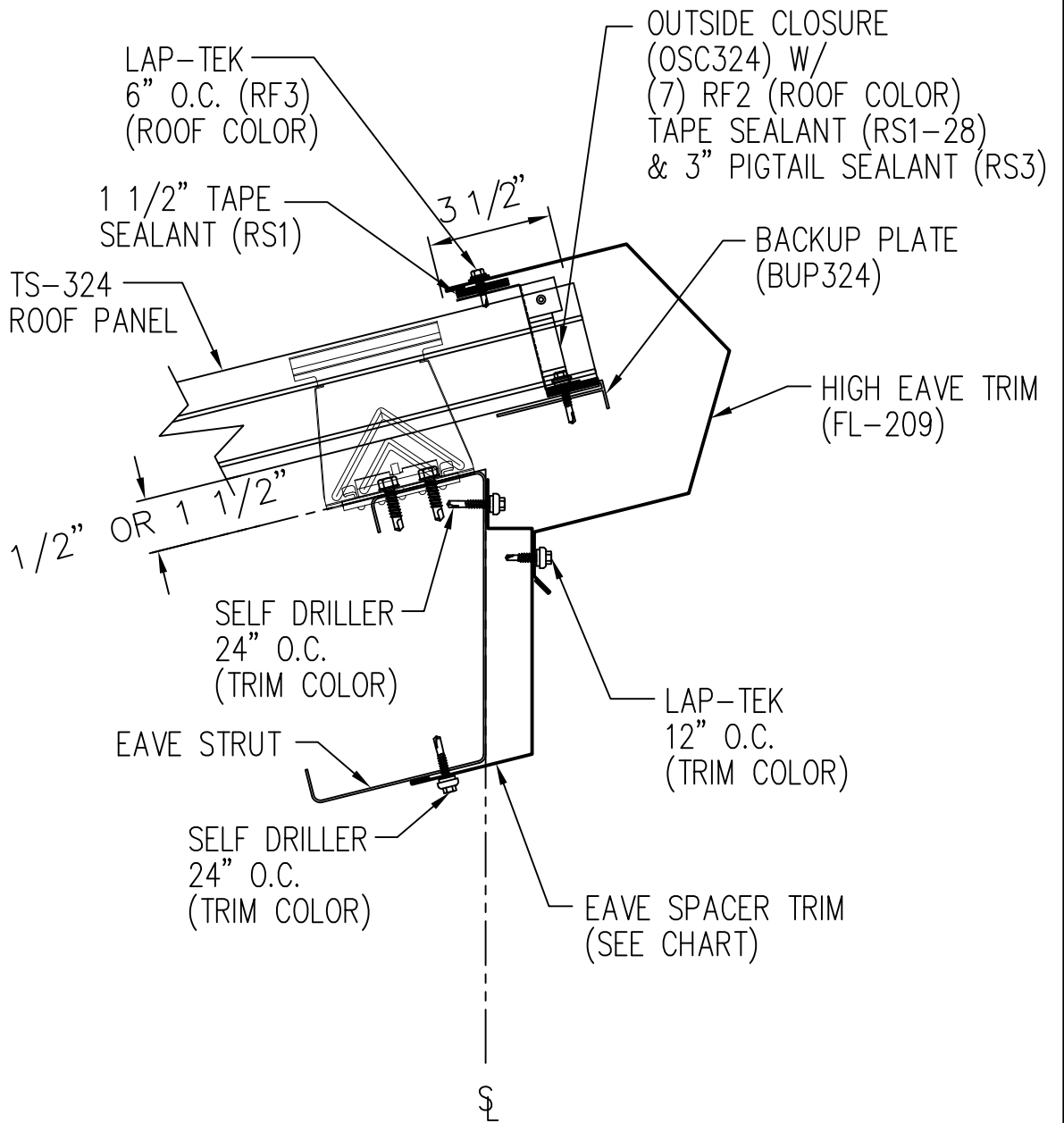
TRIM CHART	
PURLIN SIZE	PIECE MARK
8"	FL-80
10"	FL-500
12"	FL-500

Low Eave Gutter Detail – TS-324

Sculptured Gutter – Open Wall – No Soffit

DRAWING NO.

TD120



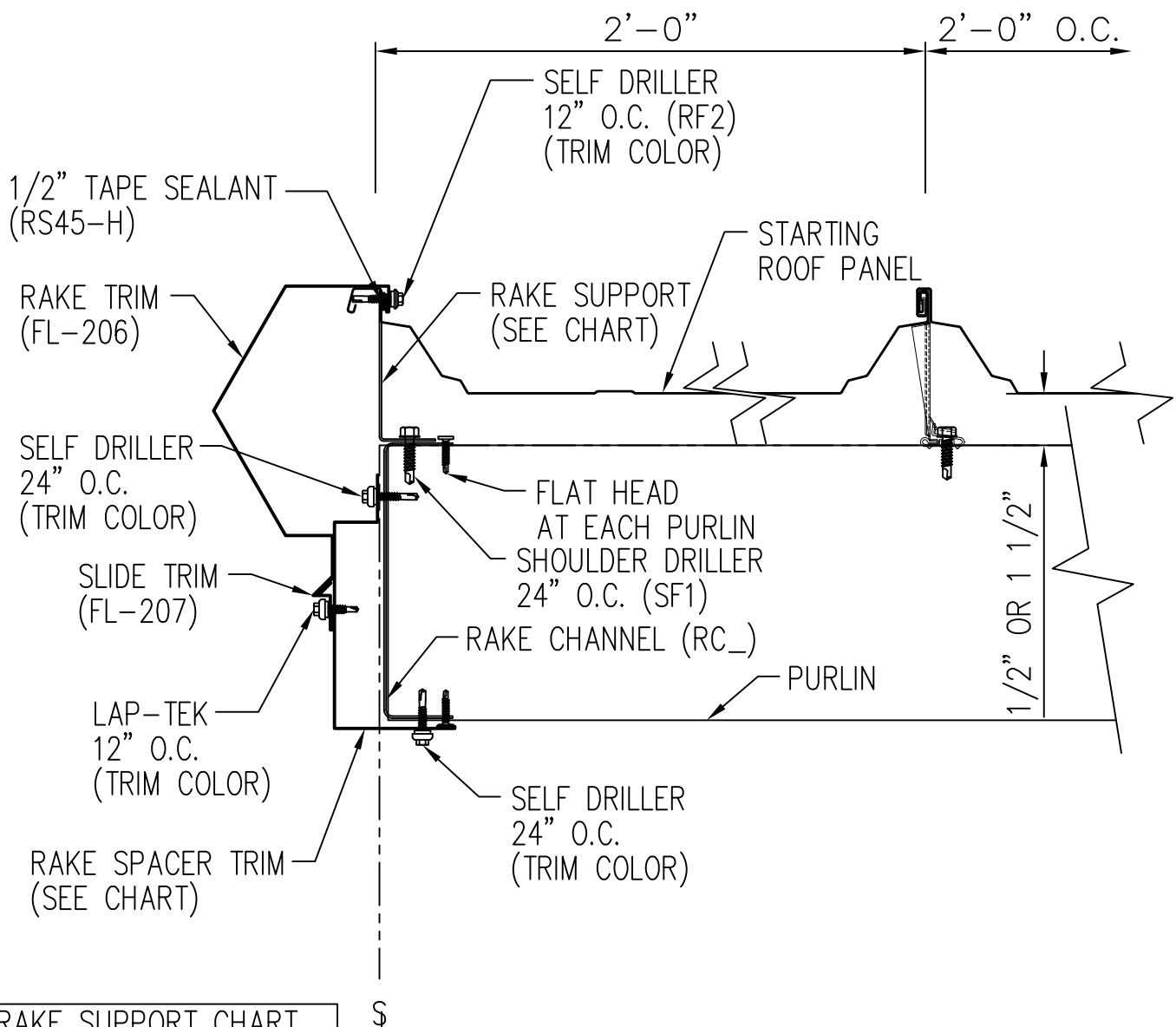
TRIM CHART	
PURLIN SIZE	PIECE MARK
8"	FL-241
10"	FL-241
12"	FL-500

High Eave Detail - TS-324

Sculptured Eave - Open Wall - No Soffit

DRAWING NO.

TD121



RAKE SUPPORT CHART	
STANDOFF	PIECE MARK
3/8"	RSA338
1 3/8"	RSA438

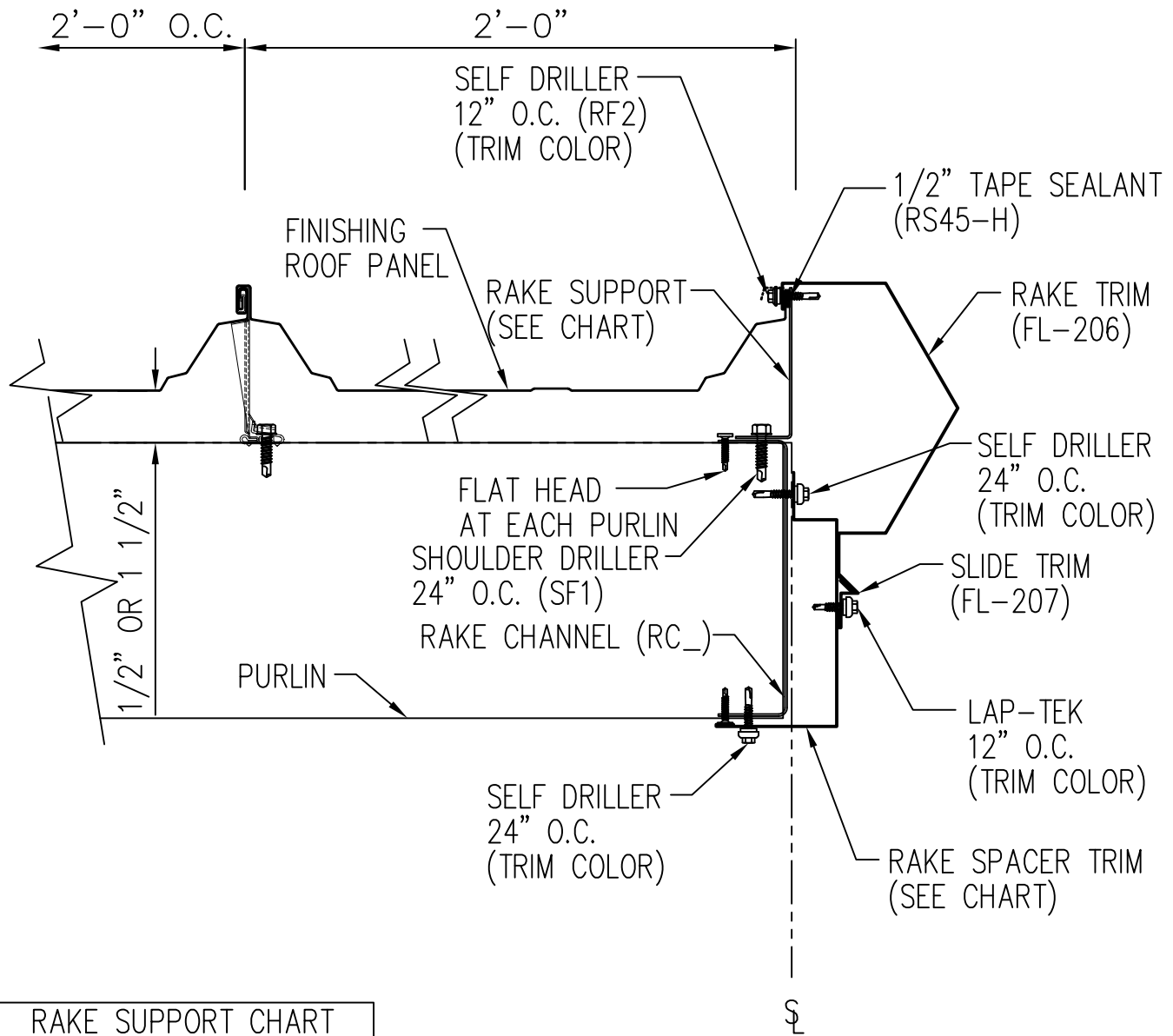
TRIM CHART	
PURLIN SIZE	PIECE MARK
8"	FL-365
10"	FL-366
12"	FL-500

Starting Rake Detail - TS-324

Sculptured Rake - Open Wall - No Soffit

DRAWING NO.

TD122



RAKE SUPPORT CHART	
STANDOFF	PIECE MARK
3/8"	RSA338
1 3/8"	RSA438

TRIM CHART	
PURLIN SIZE	PIECE MARK
8"	FL-365
10"	FL-366
12"	FL-500

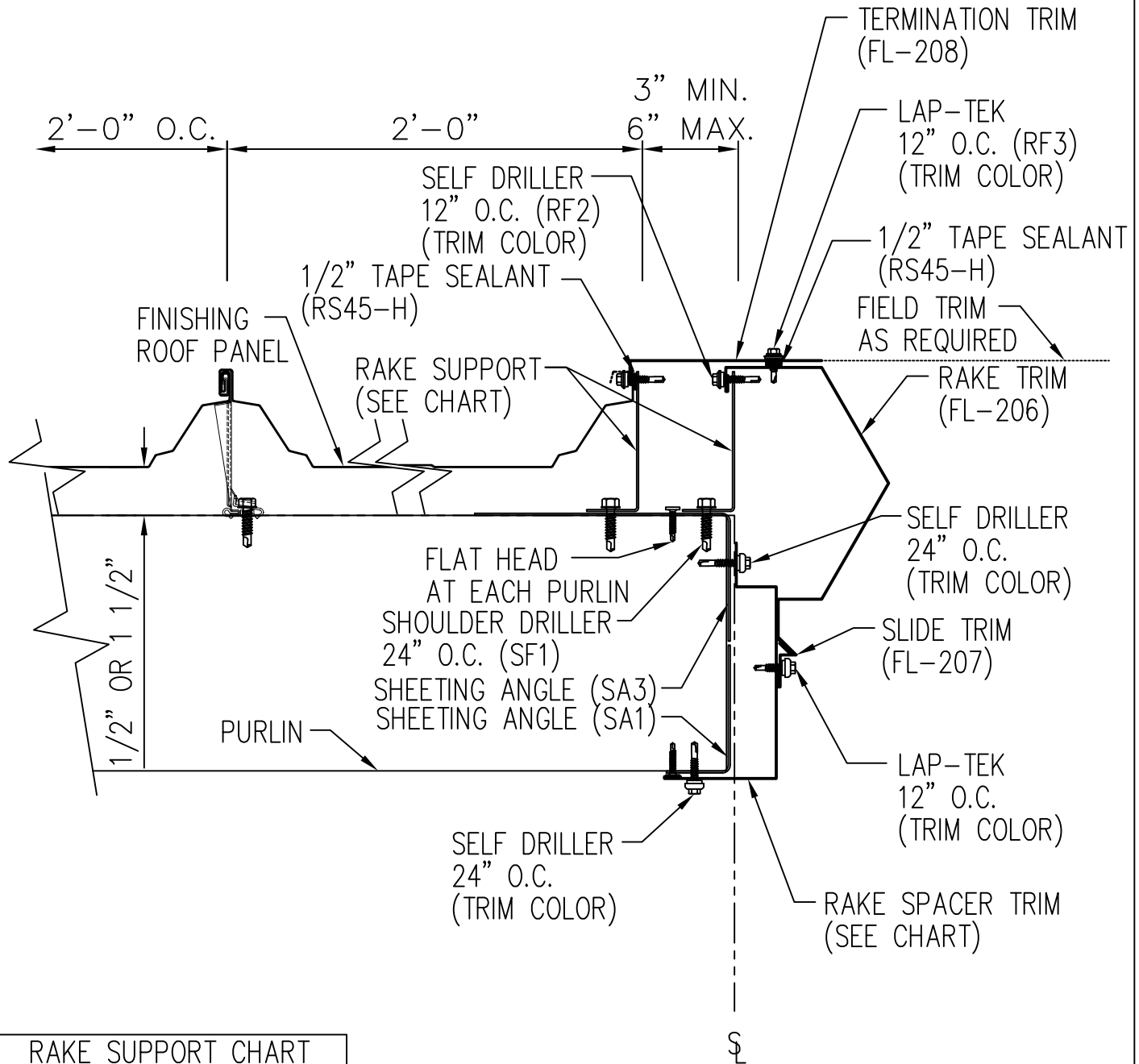
NOTE: FIELD CUT/CRIMP TOP LEG OF PANEL PRIOR TO INSTALLING RAKE TRIM

Finishing Rake Detail - TS-324

Sculptured Rake - Open Wall - No Soffit (On Module)

DRAWING NO.

TD123



RAKE SUPPORT CHART	
STANDOFF	PIECE MARK
3/8"	RSA338
1 3/8"	RSA438

TRIM CHART	
PURLIN SIZE	PIECE MARK
8"	FL-365
10"	FL-366
12"	FL-500

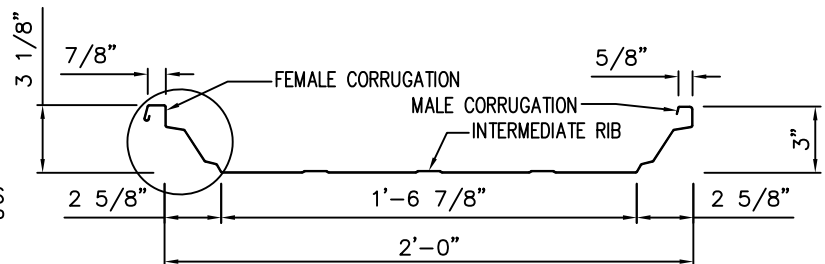
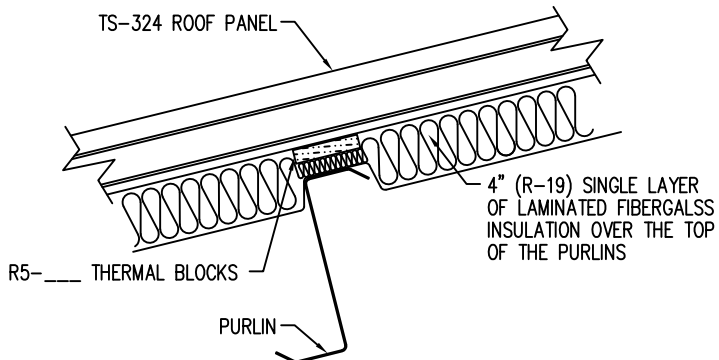
NOTE: FIELD CUT/CRIMP TOP LEG OF PANEL PRIOR TO INSTALLING RAKE TRIM

Finishing Rake Detail - TS-324

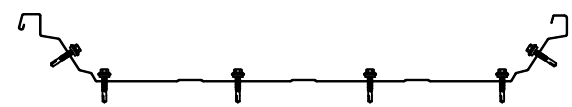
Sculptured Rake - Open Wall - No Soffit (Off Module) (Option 1)

DRAWING NO.

TD124

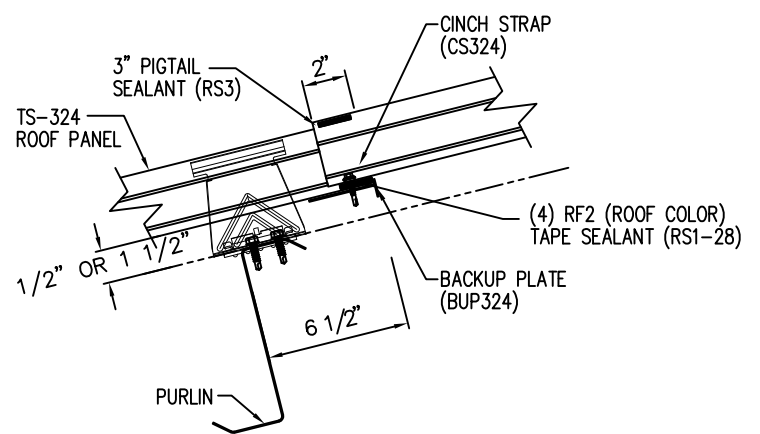
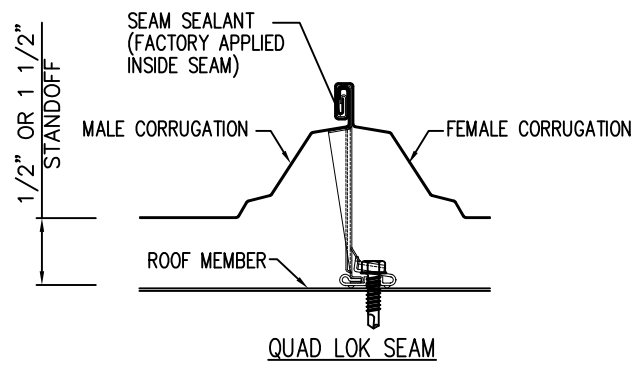


PANEL PROFILE



SCREW PLACEMENT

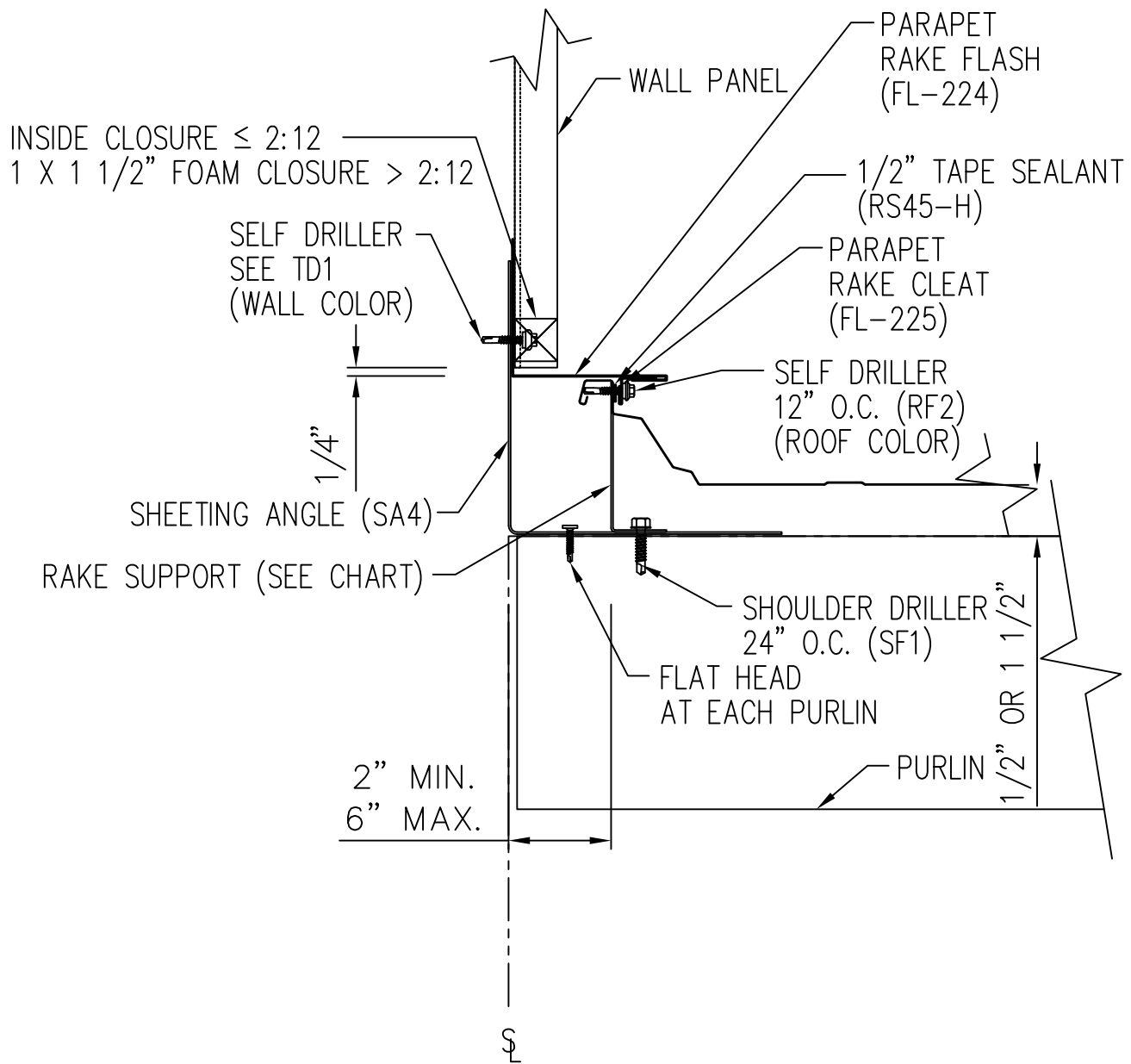
1/4 -14 X 1 1/4" (RF2), EXTERIOR SCREWS
USE AT ALL EAVE, ENDLAP, AND RIDGE CONDITIONS



NOTE: FOR CLARITY OF DETAIL, ROOF INSULATION IS NOT SHOWN

Roof Panel Sections - TS-324
QuadLok Seam

DRAWING NO.
TD149



RAKE SUPPORT CHART	
STANDOFF	PIECE MARK
3/8"	RSA338
1 3/8"	RSA438

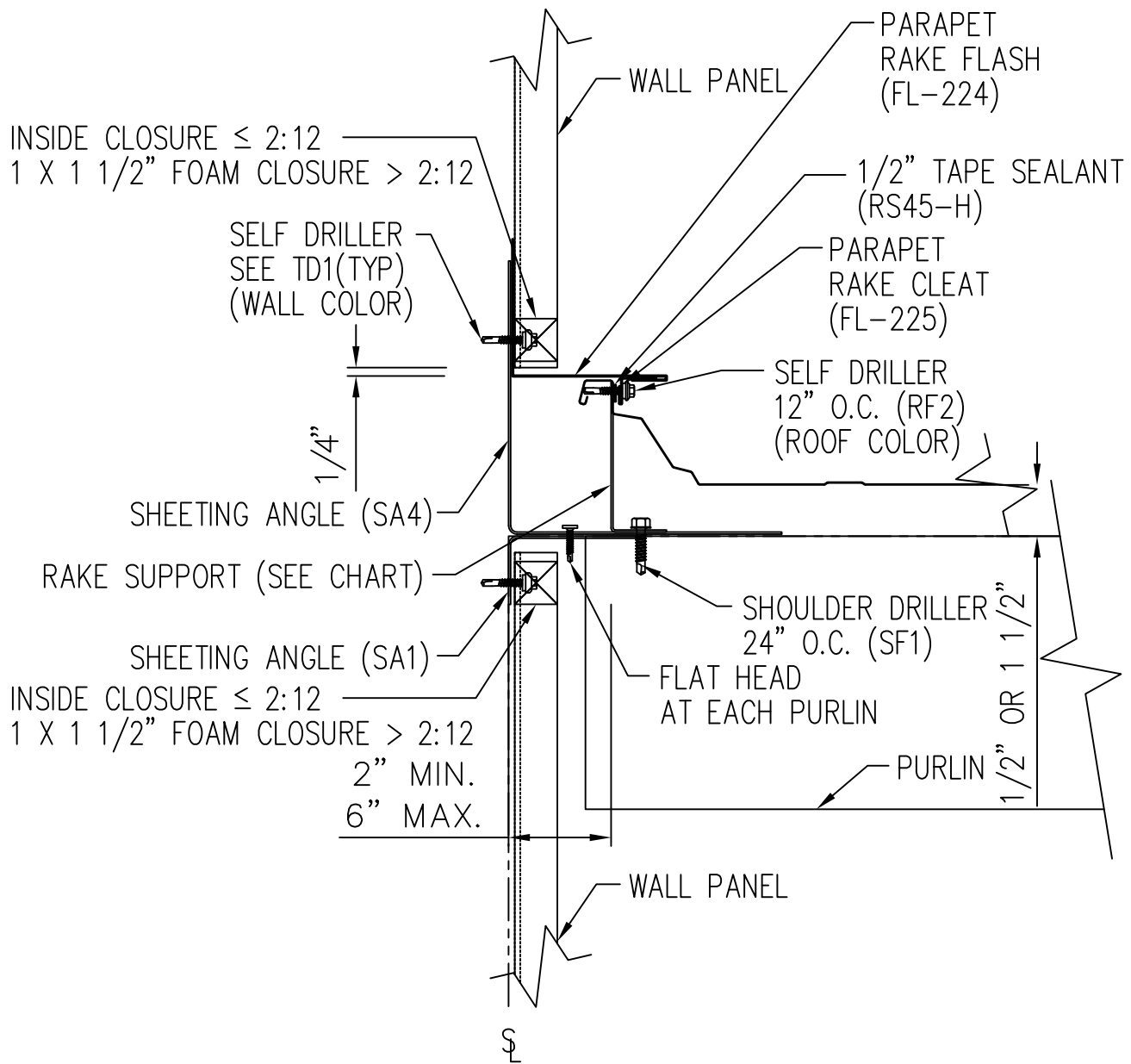
NOTE: FIELD SLOPE CUT WALL PANELS AS REQUIRED FOR ROOF SLOPE

Starting Rake Parapet Detail - TS-324

Open Wall Below - No Soffit

DRAWING NO.

TD260



RAKE SUPPORT CHART	
STANDOFF	PIECE MARK
3/8"	RSA338
1 3/8"	RSA438

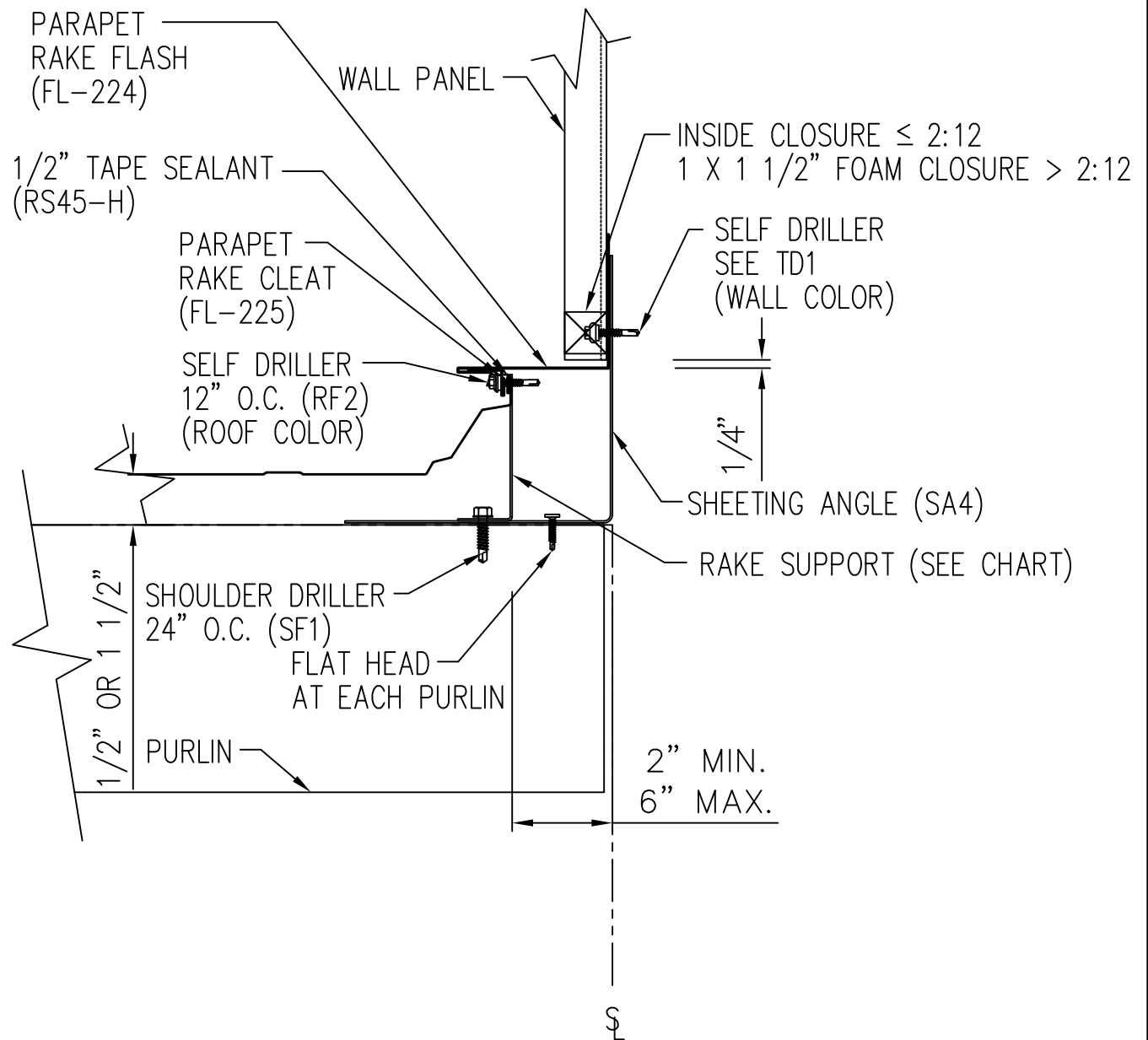
NOTE: FIELD SLOPE CUT WALL PANELS AS REQUIRED FOR ROOF SLOPE

Starting Rake Parapet Detail - TS-324

Sheeted Wall Below - No Soffit

DRAWING NO.

TD260



RAKE SUPPORT CHART	
STANDOFF	PIECE MARK
3/8"	RSA338
1 3/8"	RSA438

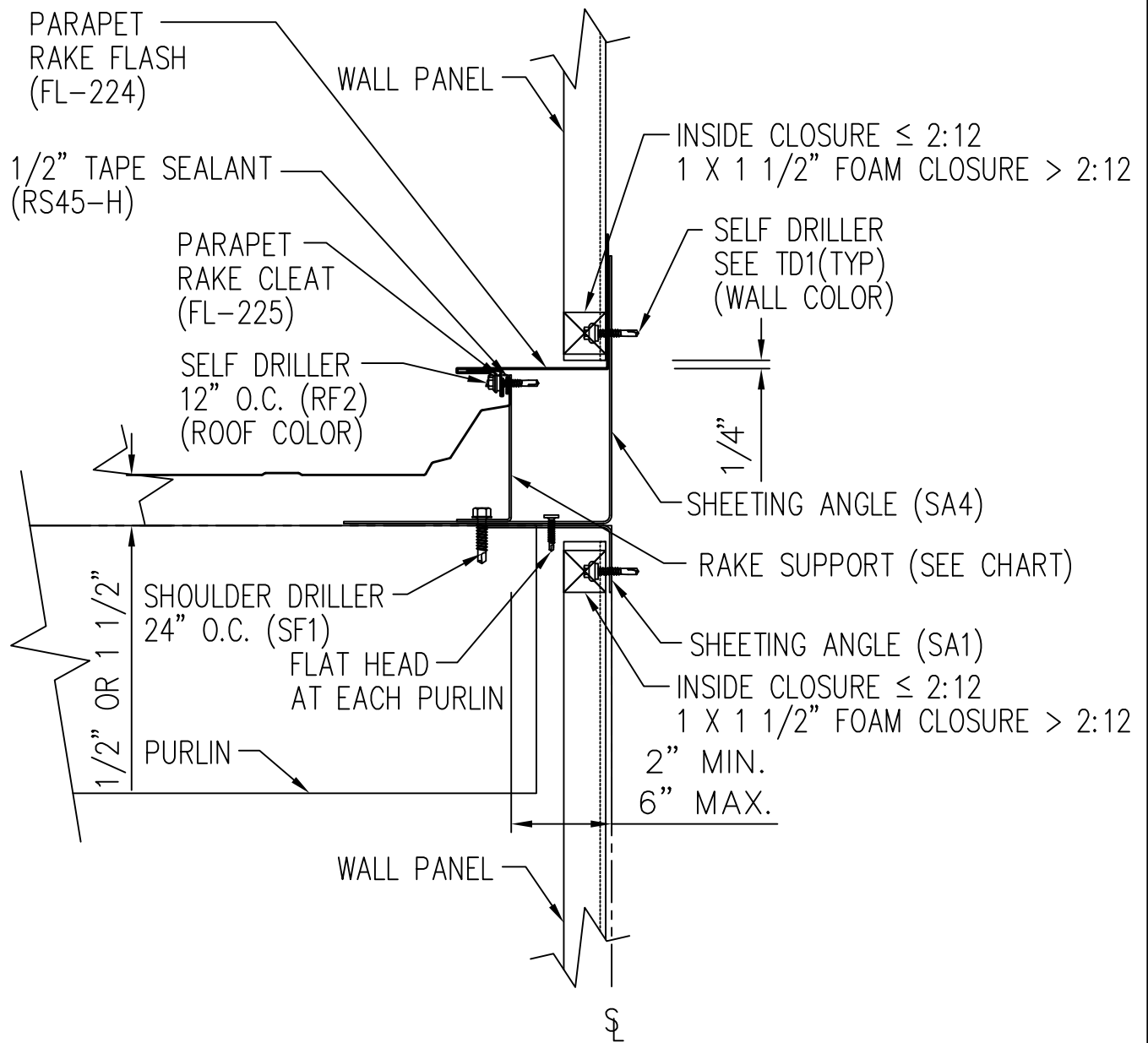
NOTE: FIELD CUT/CRIMP TOP LEG OF PANEL PRIOR TO INSTALLING RAKE TRIM
NOTE: FIELD SLOPE CUT WALL PANELS AS REQUIRED FOR ROOF SLOPE

Finishing Rake Parapet Detail - TS-324

Open Wall Below - No Soffit (Off Module) (Option 1)

DRAWING NO.

TD261



RAKE SUPPORT CHART	
STANDOFF	PIECE MARK
3/8"	RSA338
1 3/8"	RSA438

NOTE: FIELD CUT/CRIMP TOP LEG OF PANEL PRIOR TO INSTALLING RAKE TRIM
 NOTE: FIELD SLOPE CUT WALL PANELS AS REQUIRED FOR ROOF SLOPE

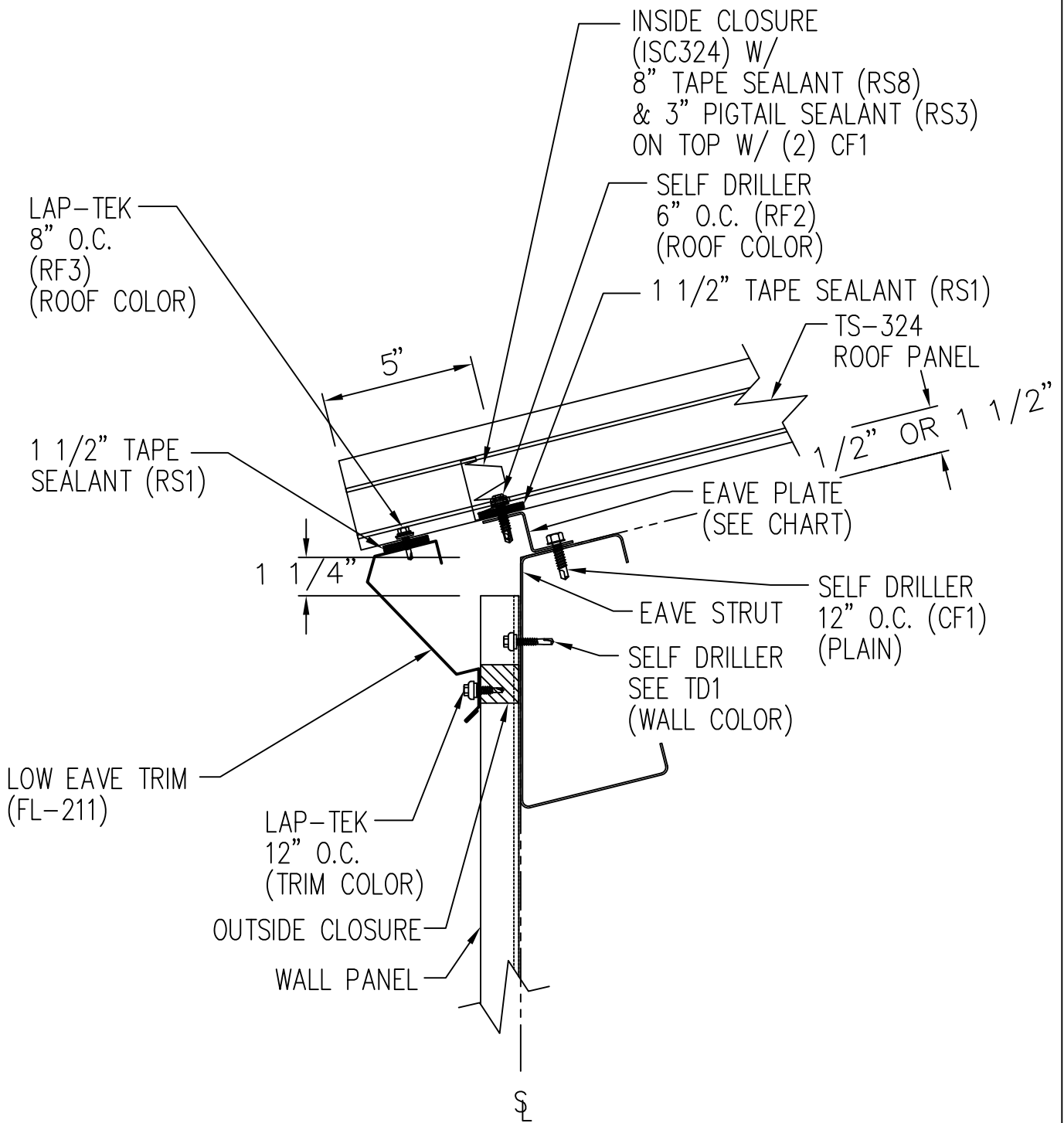
Finishing Rake Parapet Detail - TS-324

Sheeted Wall Below - No Soffit (Off Module) (Option 1)

Created On: 09/09/20

DRAWING NO.

TD261



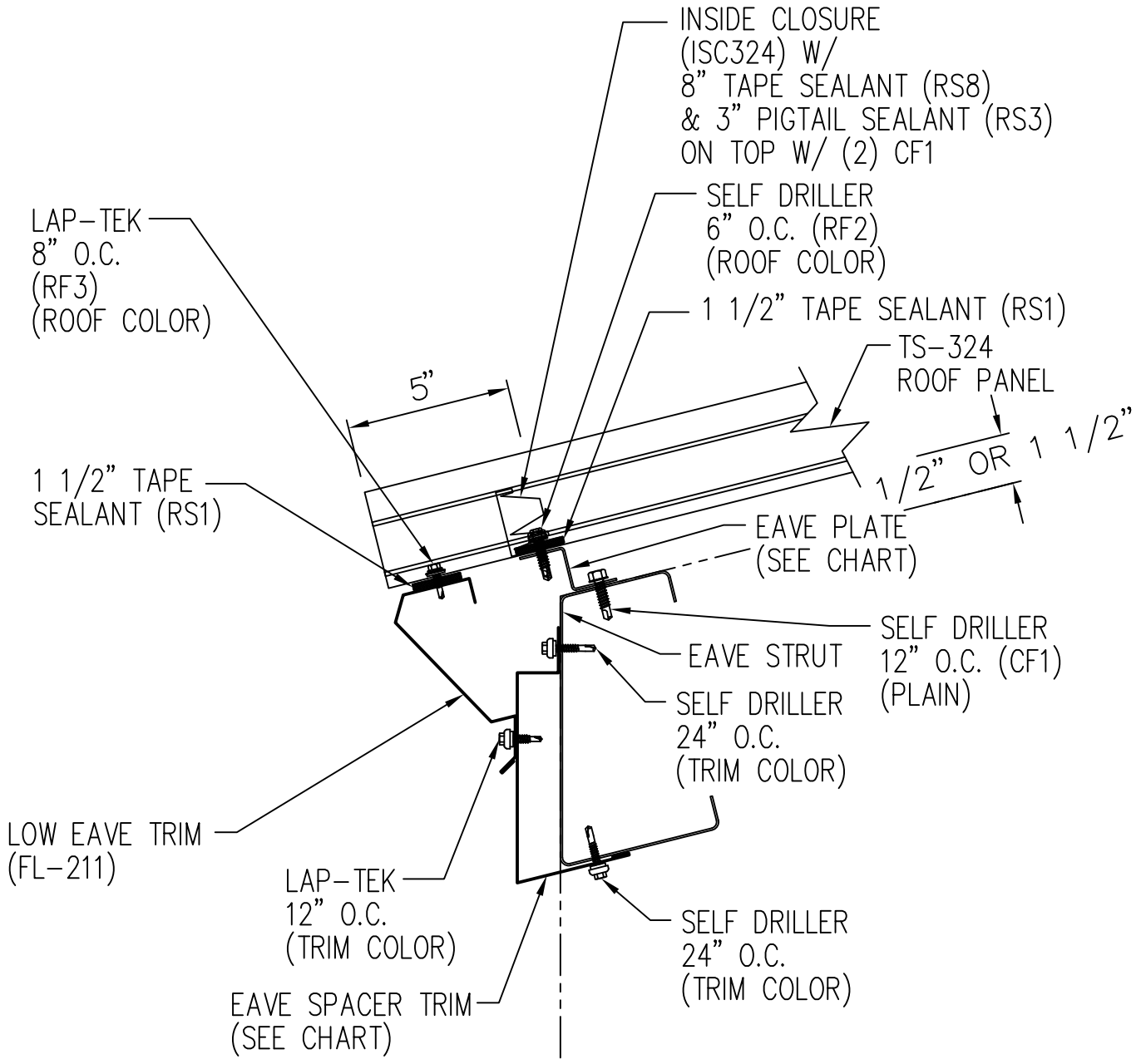
EAVE PLATE CHART	
STANDOFF	PIECE MARK
3/8"	EP038
1 3/8"	EP138

Low Eave Detail - TS-324

Sculptured Eave - Sheeted Wall

DRAWING NO.

TD265



EAVE PLATE CHART	
STANDOFF	PIECE MARK
3/8"	EP038
1 3/8"	EP138

TRIM CHART	
PURLIN SIZE	PIECE MARK
8"	FL-80
10"	FL-500
12"	FL-500

Low Eave Detail - TS-324
 Sculptured Eave - Open Wall - No Soffit

DRAWING NO.

TD269