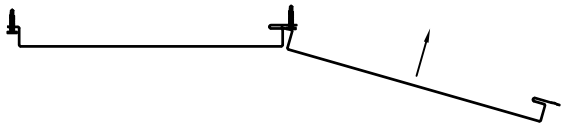
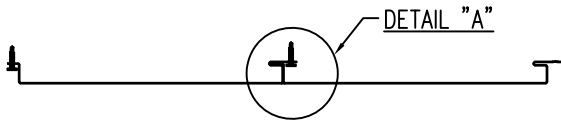
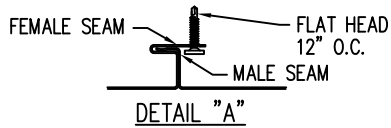


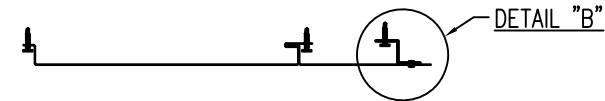
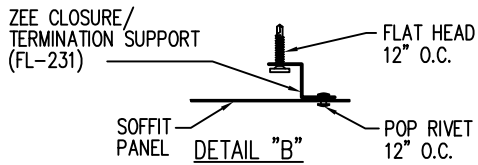
STEP 1 INSTALL SOFFIT PANEL TO BOTTOM OF PURLINS USING TWO PHILLIPS MEMBER SCREWS AT EACH PURLIN.



STEP 2 INSERT MALE LEG OF SOFFIT PANEL INTO THE PREVIOUS PANEL'S FEMALE LEG, AND SWING INTO PLACE.



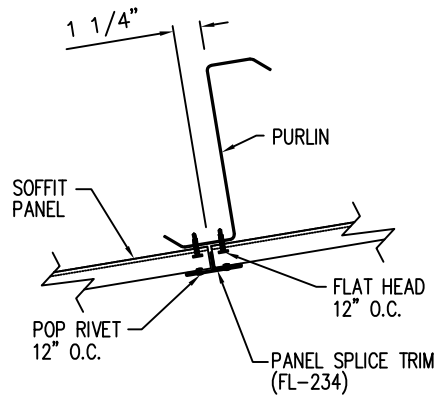
STEP 3 REPEAT STEP 2 UNTIL ALL SOFFIT PANELS ARE INSTALLED.



STEP 4 FIELD CUT FEMALE LEG OF FINISHING SOFFIT PANEL TO REQUIRED LENGTH.

STEP 5 INSTALL THE ZEE CLOSURE/TERMINATION SUPPORT TRIM BY USING A PHILLIPS MEMBER SCREW.

STEP 6 INSTALL A POP RIVET ATTACHING THE ZEE CLOSURE/TERMINATION SUPPORT TRIM, SOFFIT PANEL, AND THE JAMB TRIM TOGETHER FOR A TIGHT SEAL.

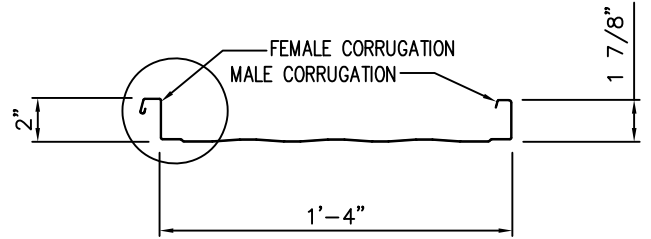
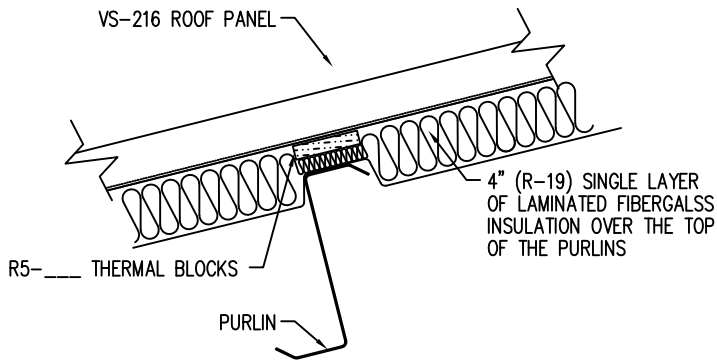


SECTION THRU PANEL END LAPS

Fastener Location at Soffit Panels - L12

DRAWING NO.

TD150

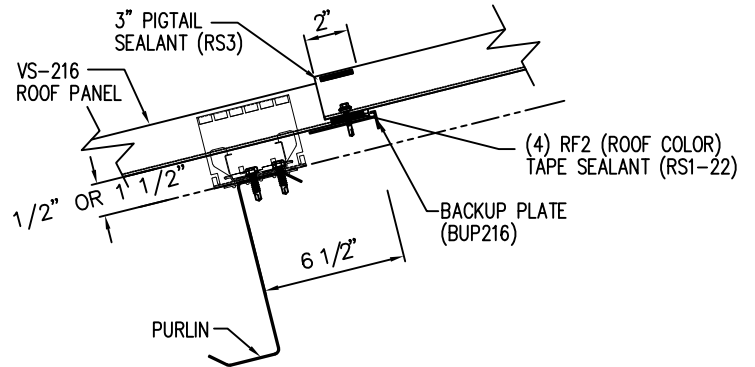
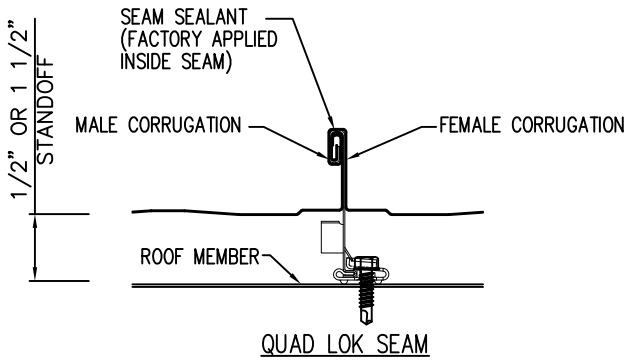


PANEL PROFILE



SCREW PLACEMENT

1/4 -14 X 1 1/4" (RF2), EXTERIOR SCREWS
USE AT ALL EAVE, ENDLAP, AND RIDGE CONDITIONS



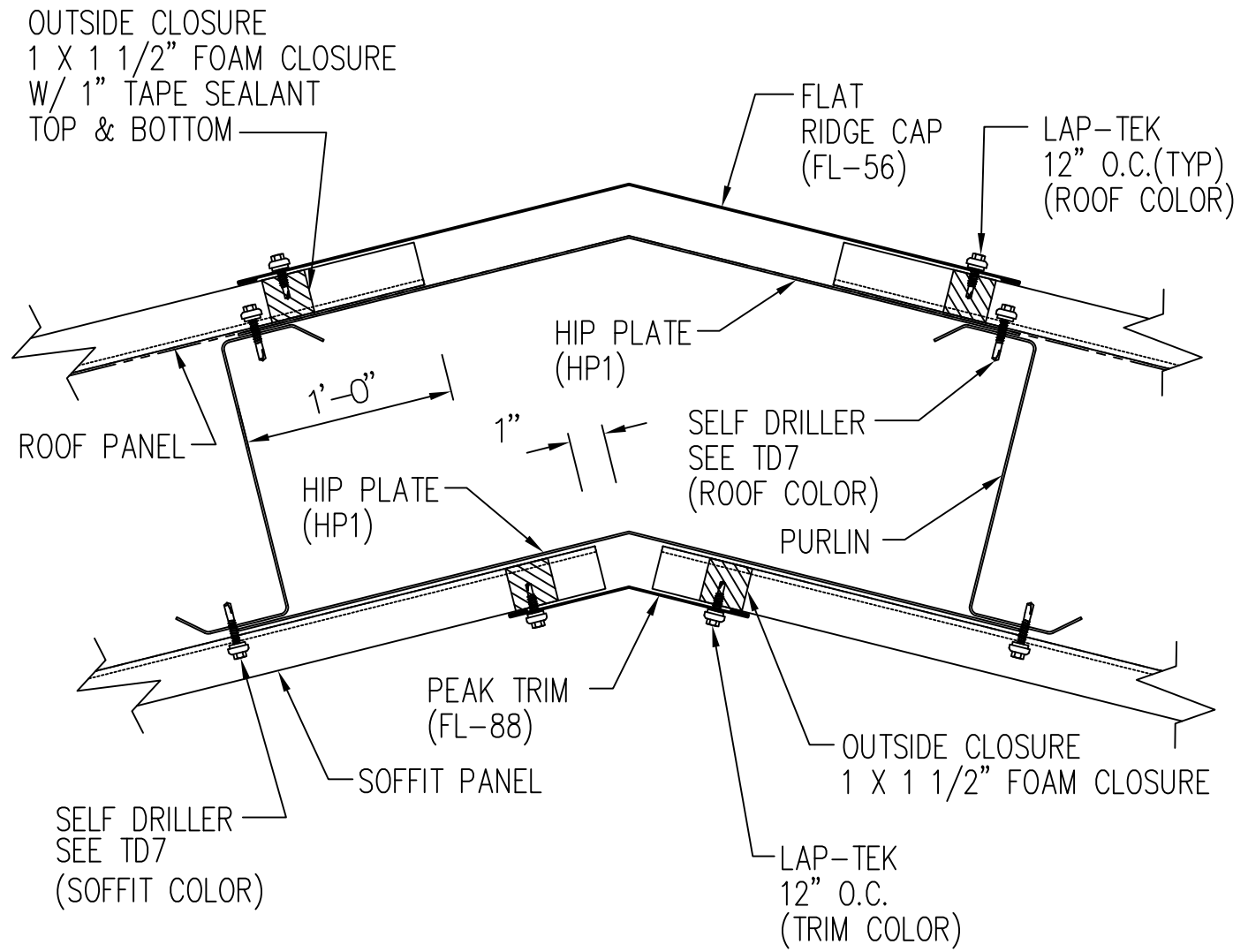
NOTE: FOR CLARITY OF DETAIL, ROOF INSULATION IS NOT SHOWN

Roof Panel Sections - VS-216

QuadLok Seam

DRAWING NO.

TD150

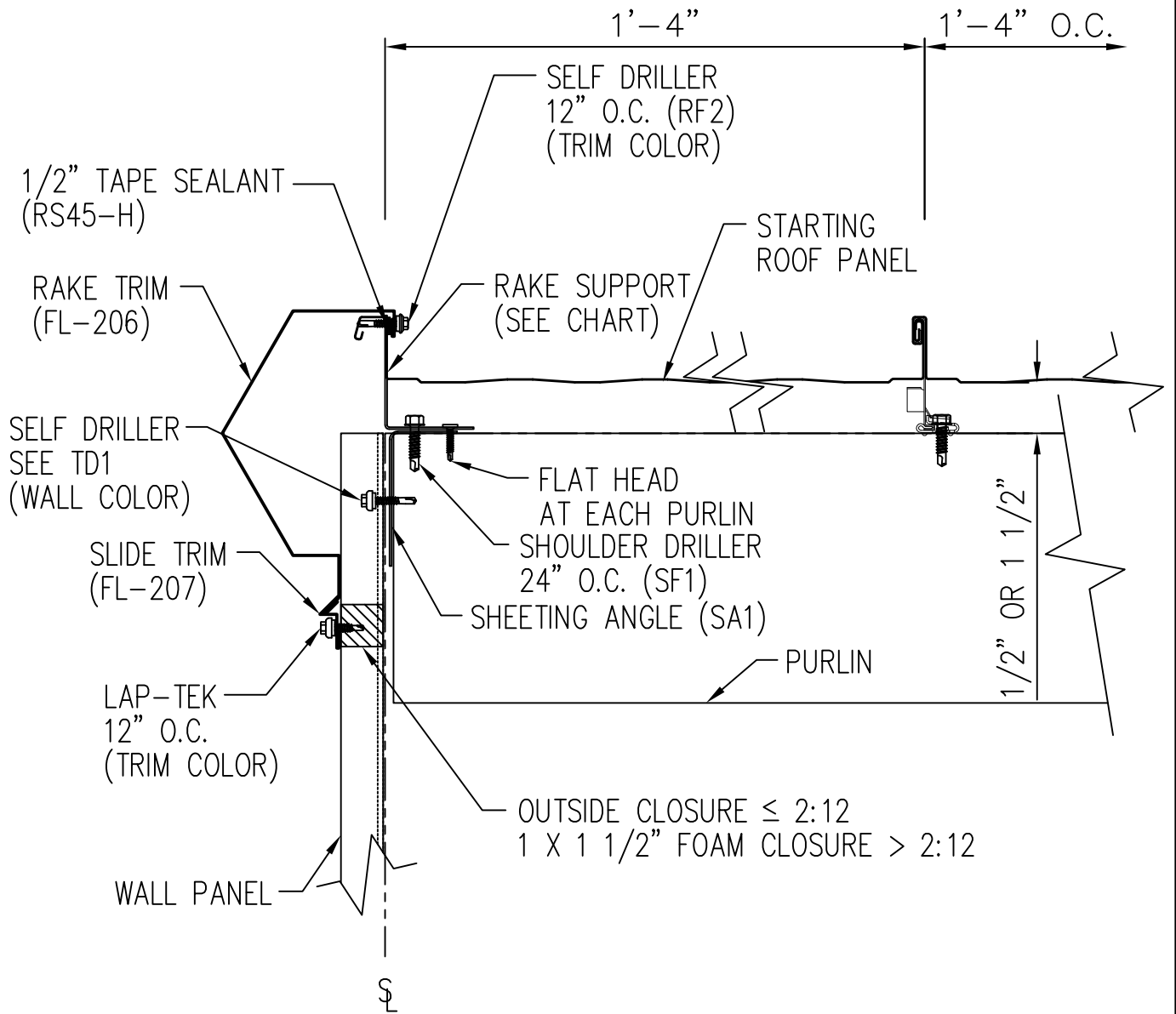


Flat Hip Detail – PBR

Greater Than 3:12 Roof Slope

DRAWING NO.

TD151



RAKE SUPPORT CHART	
STANDOFF	PIECE MARK
3/8"	RSA238
1 3/8"	RSA338

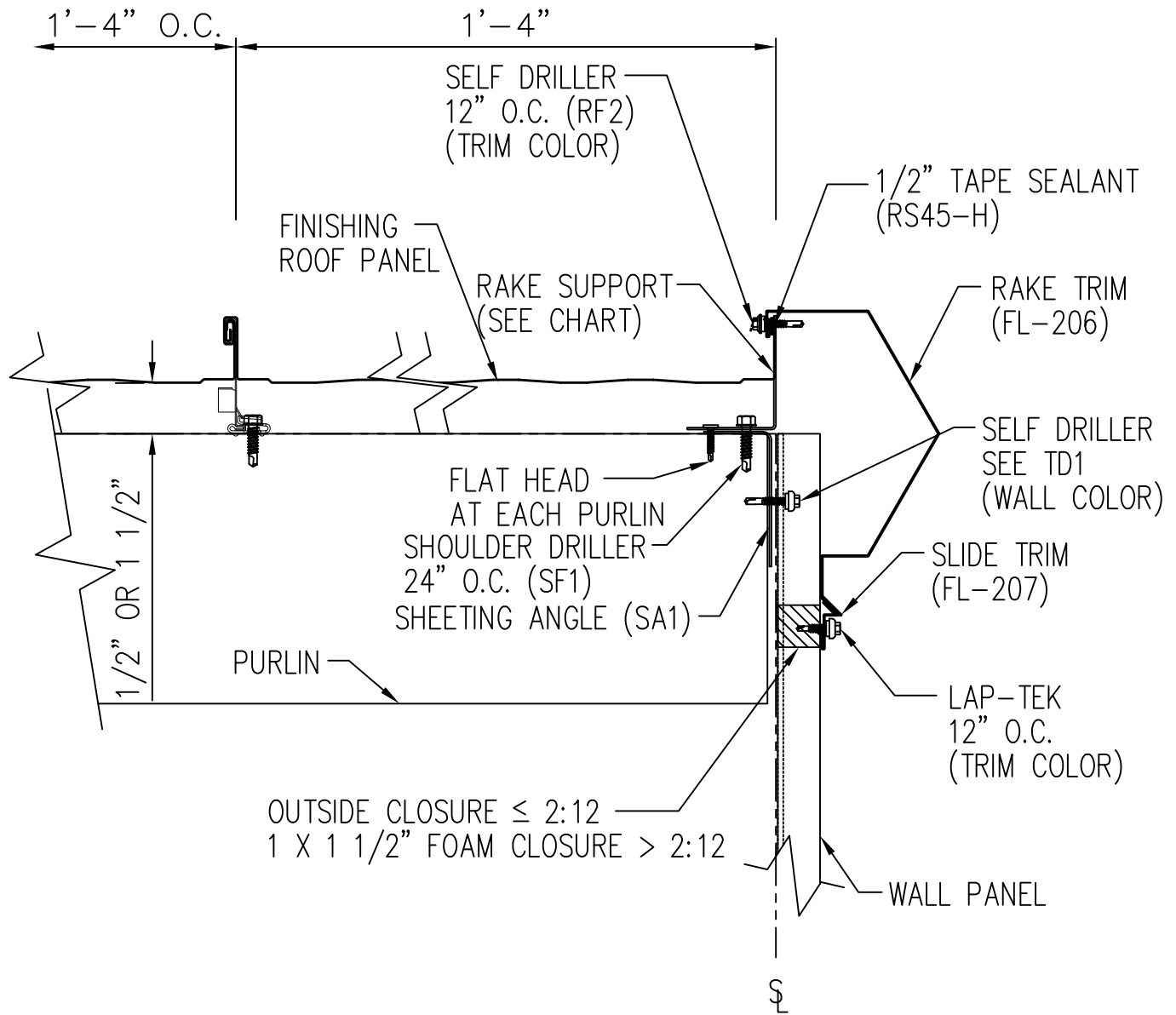
NOTE: FIELD SLOPE CUT WALL PANELS AS REQUIRED FOR ROOF SLOPE

Starting Rake Detail - VS-216

Sculptured Rake - Sheeted Wall

DRAWING NO.

TD152



RAKE SUPPORT CHART	
STANDOFF	PIECE MARK
3/8"	RSA238
1 3/8"	RSA338

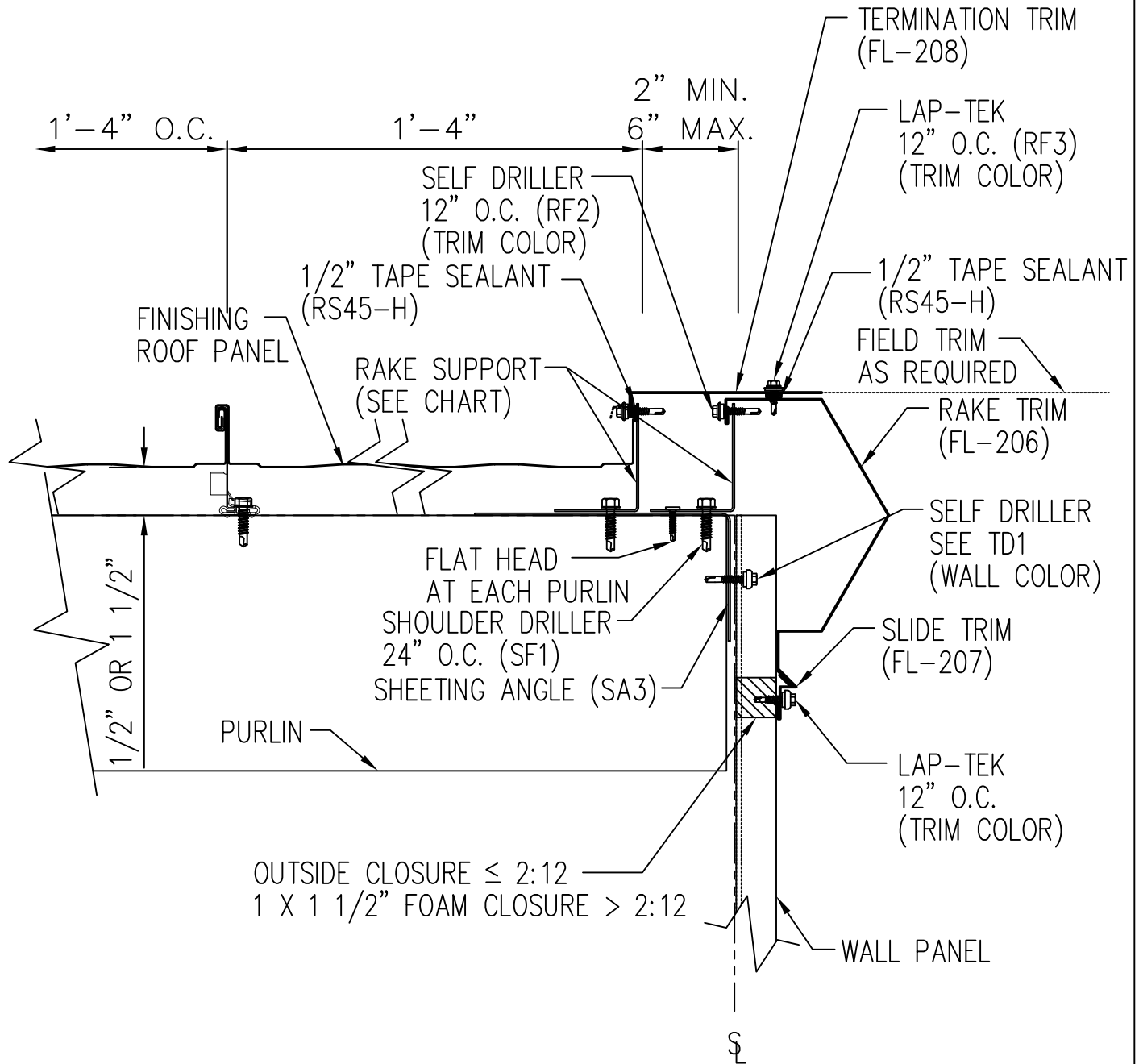
NOTE: FIELD CUT/CRIMP TOP LEG OF PANEL PRIOR TO INSTALLING RAKE TRIM
 NOTE: FIELD SLOPE CUT WALL PANELS AS REQUIRED FOR ROOF SLOPE

Finishing Rake Detail – VS-216

Sculptured Rake – Sheeted Wall (On Module)

DRAWING NO.

TD153



RAKE SUPPORT CHART	
STANDOFF	PIECE MARK
3/8"	RSA238
1 3/8"	RSA338

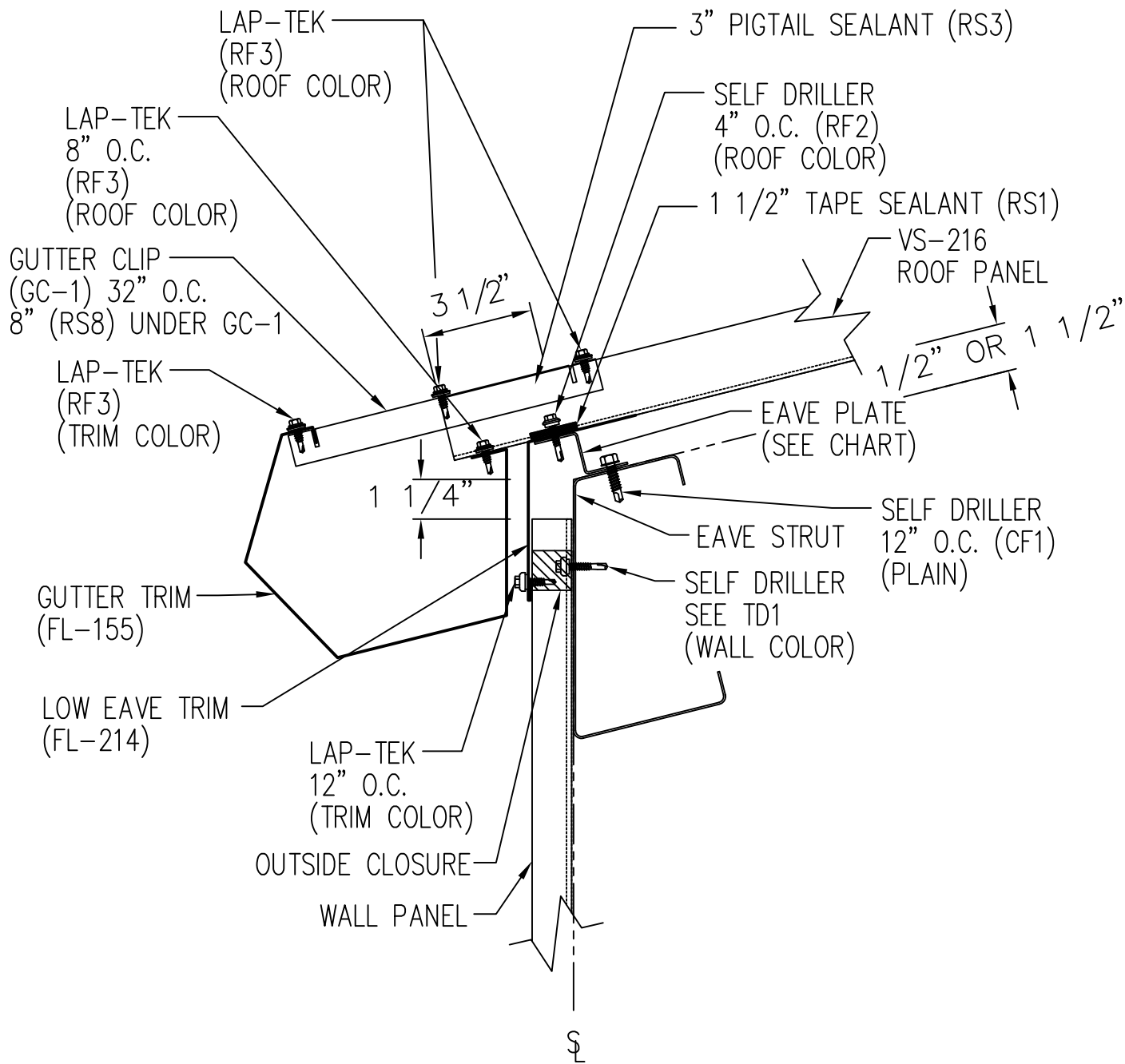
NOTE: FIELD CUT/CRIMP TOP LEG OF PANEL PRIOR TO INSTALLING RAKE TRIM
 NOTE: FIELD SLOPE CUT WALL PANELS AS REQUIRED FOR ROOF SLOPE

Finishing Rake Detail - VS-216

Sculptured Rake - Sheeted Wall (Off Module) (Option 1)

DRAWING NO.

TD154



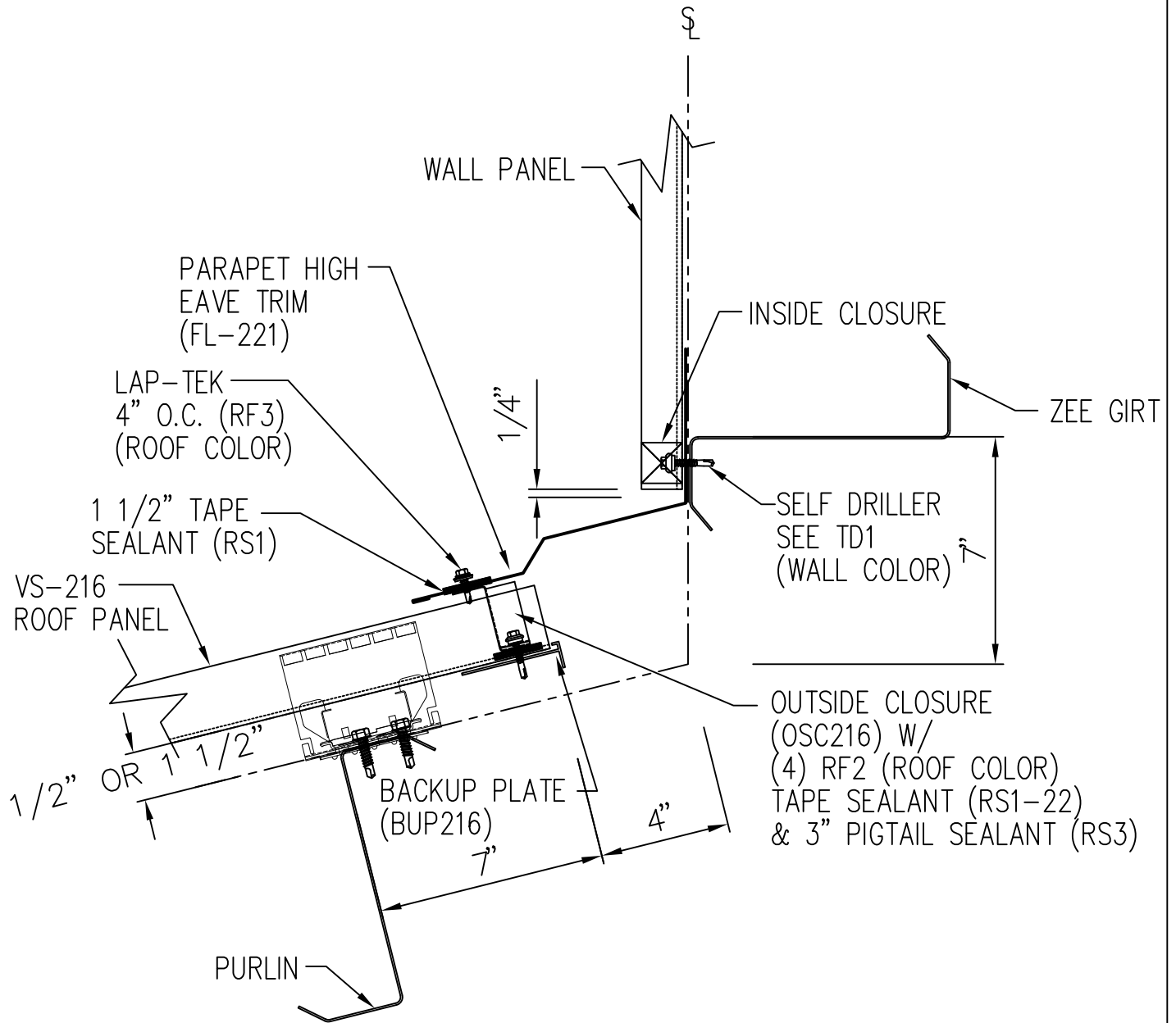
EAVE PLATE CHART	
STANDOFF	PIECE MARK
3/8"	EP038
1 3/8"	EP138

Low Eave Gutter Detail – VS-216

Sculptured Gutter – Sheeted Wall

DRAWING NO.

TD155

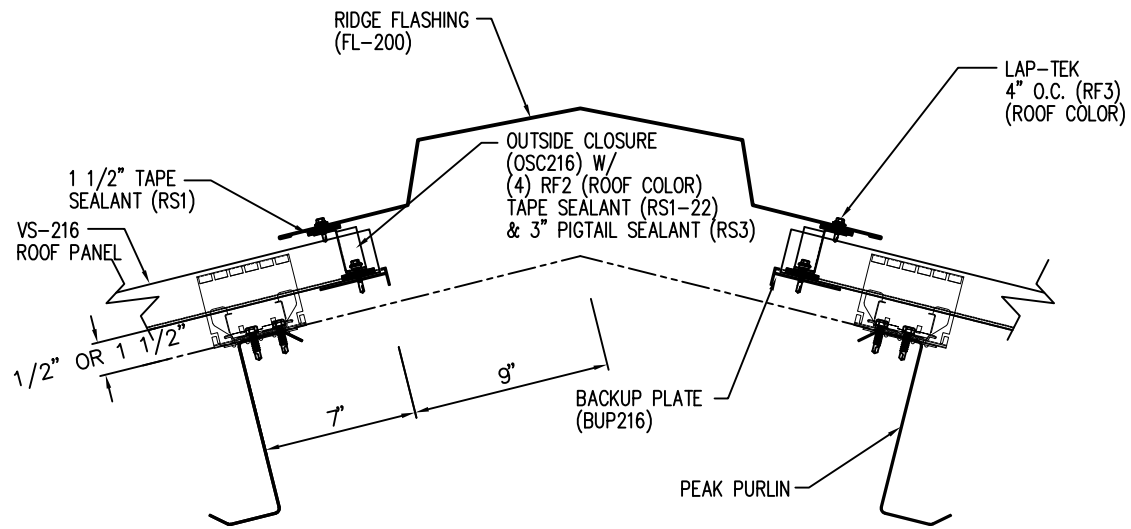


High Eave Parapet Detail - VS-216

Open Wall Below - No Soffit

DRAWING NO.

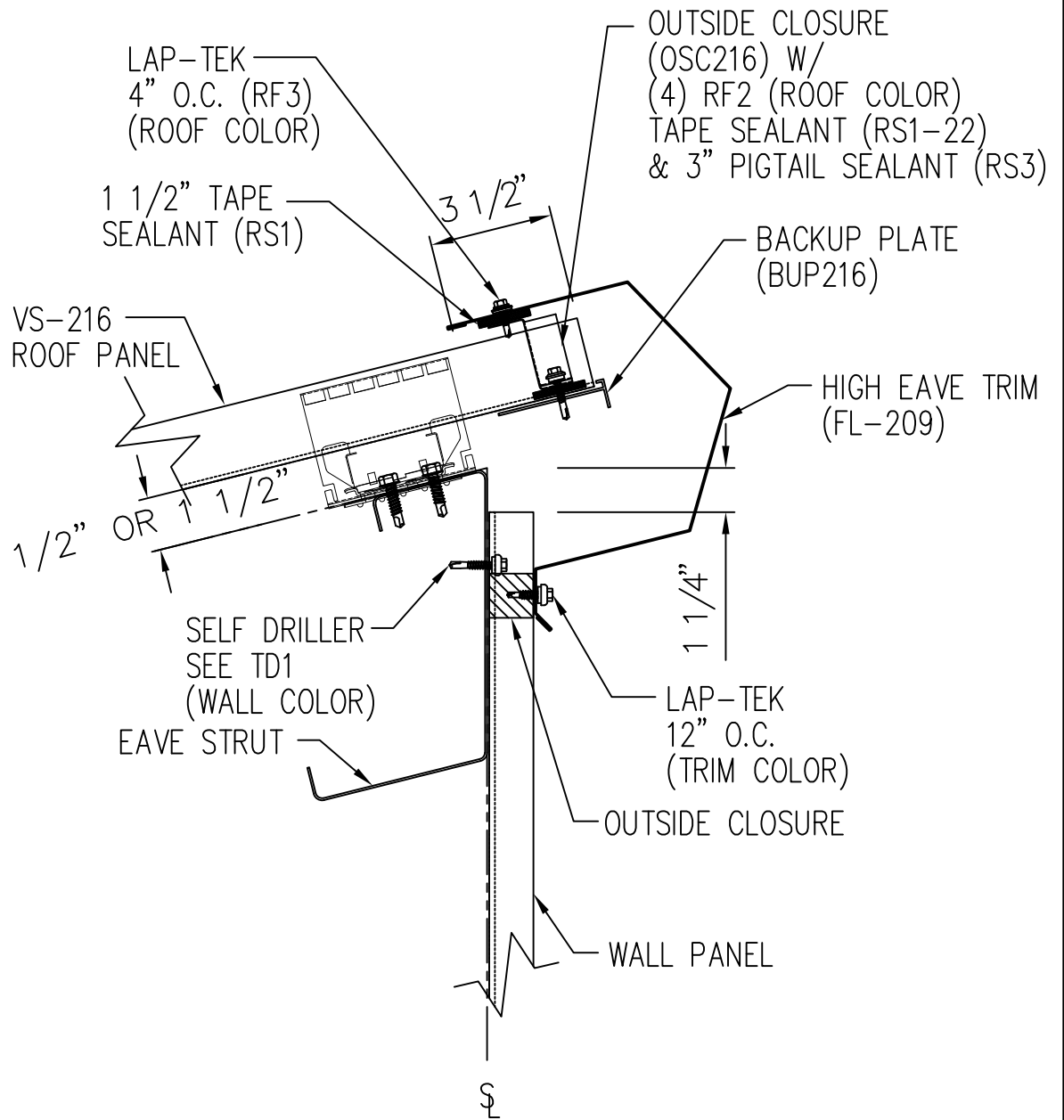
TD156



Ridge Detail - VS-216

DRAWING NO.

TD157

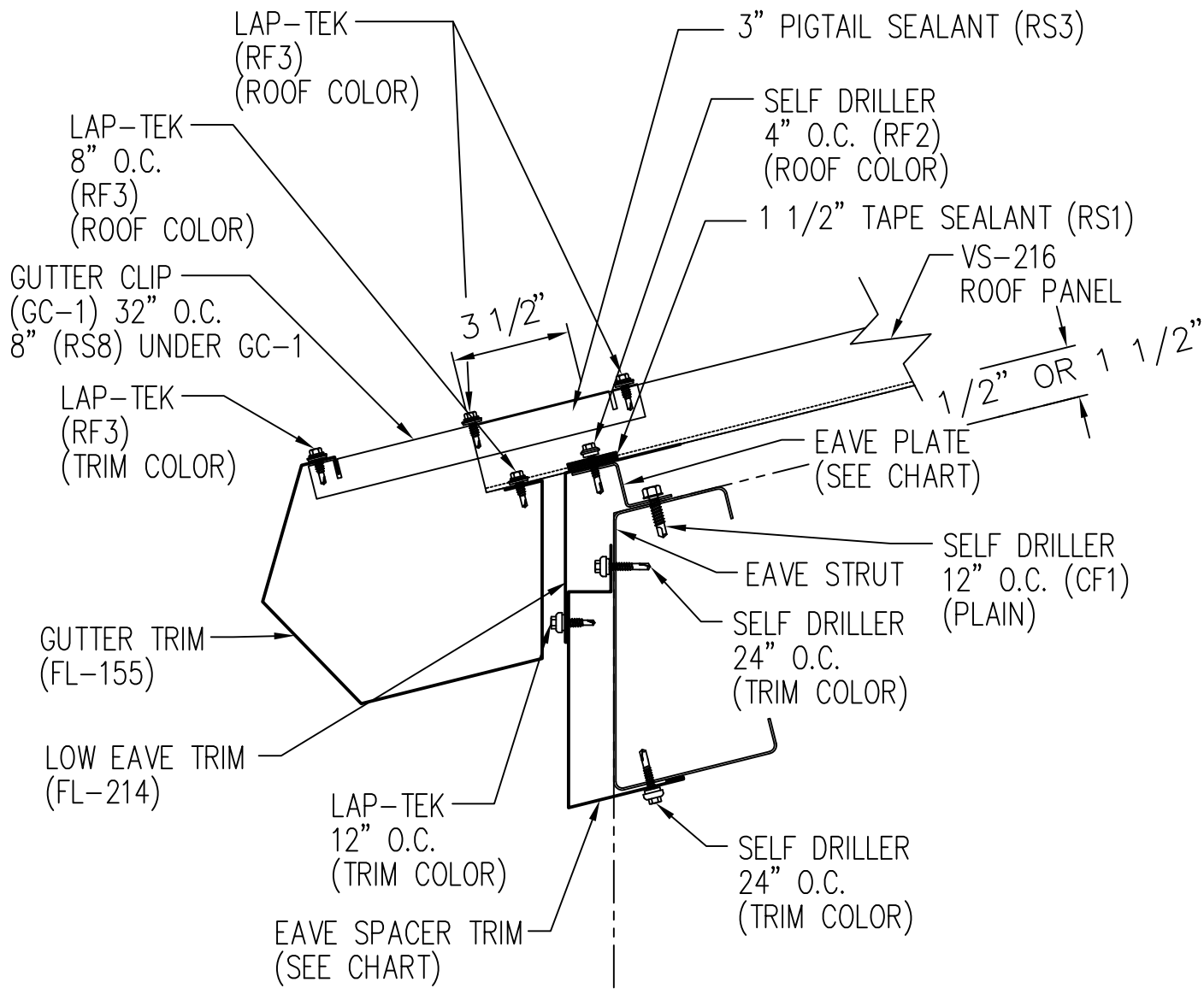


High Eave Detail - VS-216

Sculptured Eave - Sheeted Wall

DRAWING NO.

TD159



EAVE PLATE CHART	
STANDOFF	PIECE MARK
3/8"	EP038
1 3/8"	EP138

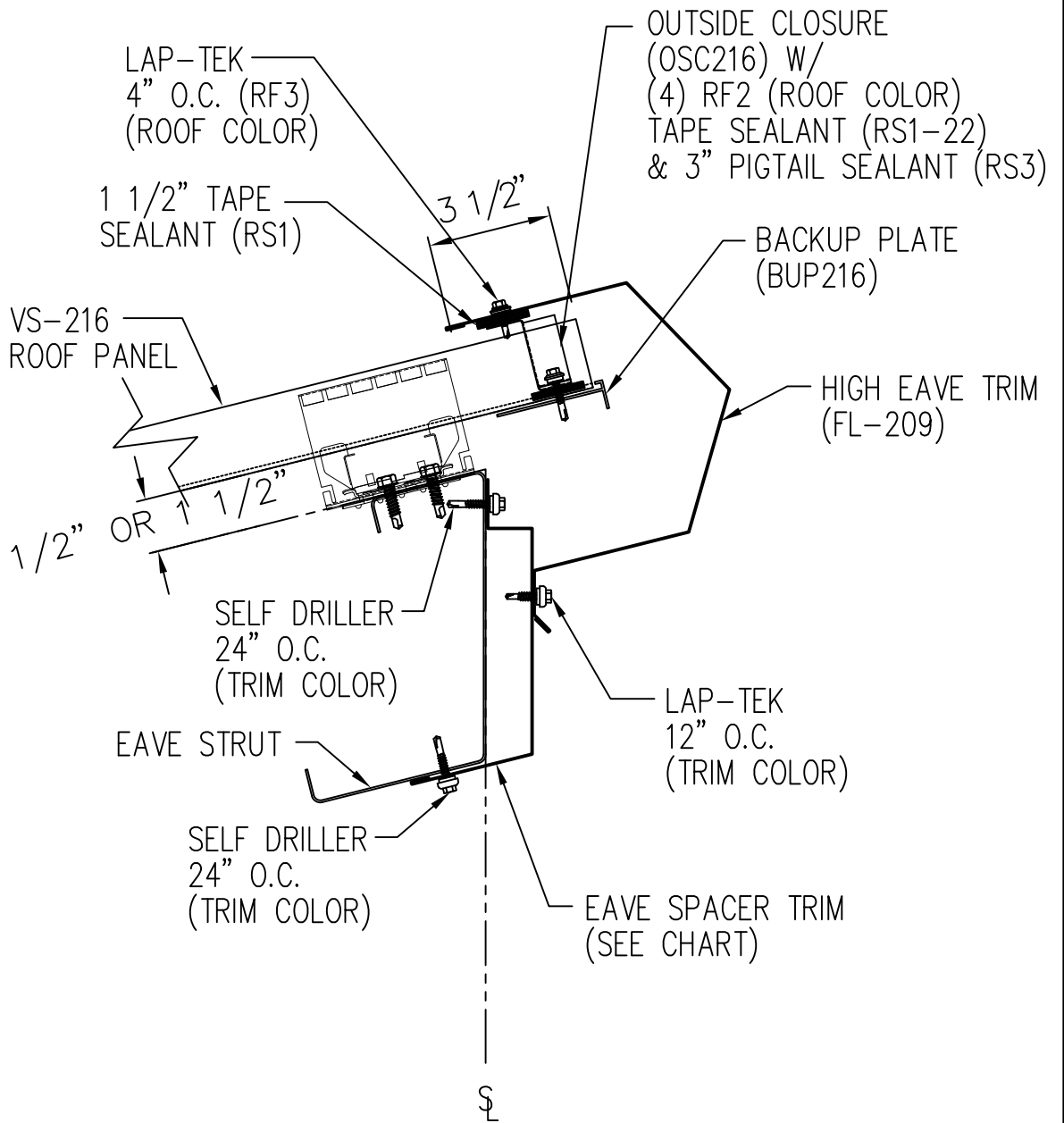
TRIM CHART	
PURLIN SIZE	PIECE MARK
8"	FL-80
10"	FL-500
12"	FL-500

Low Eave Gutter Detail – VS-216

Sculptured Gutter – Open Wall – No Soffit

DRAWING NO.

TD160



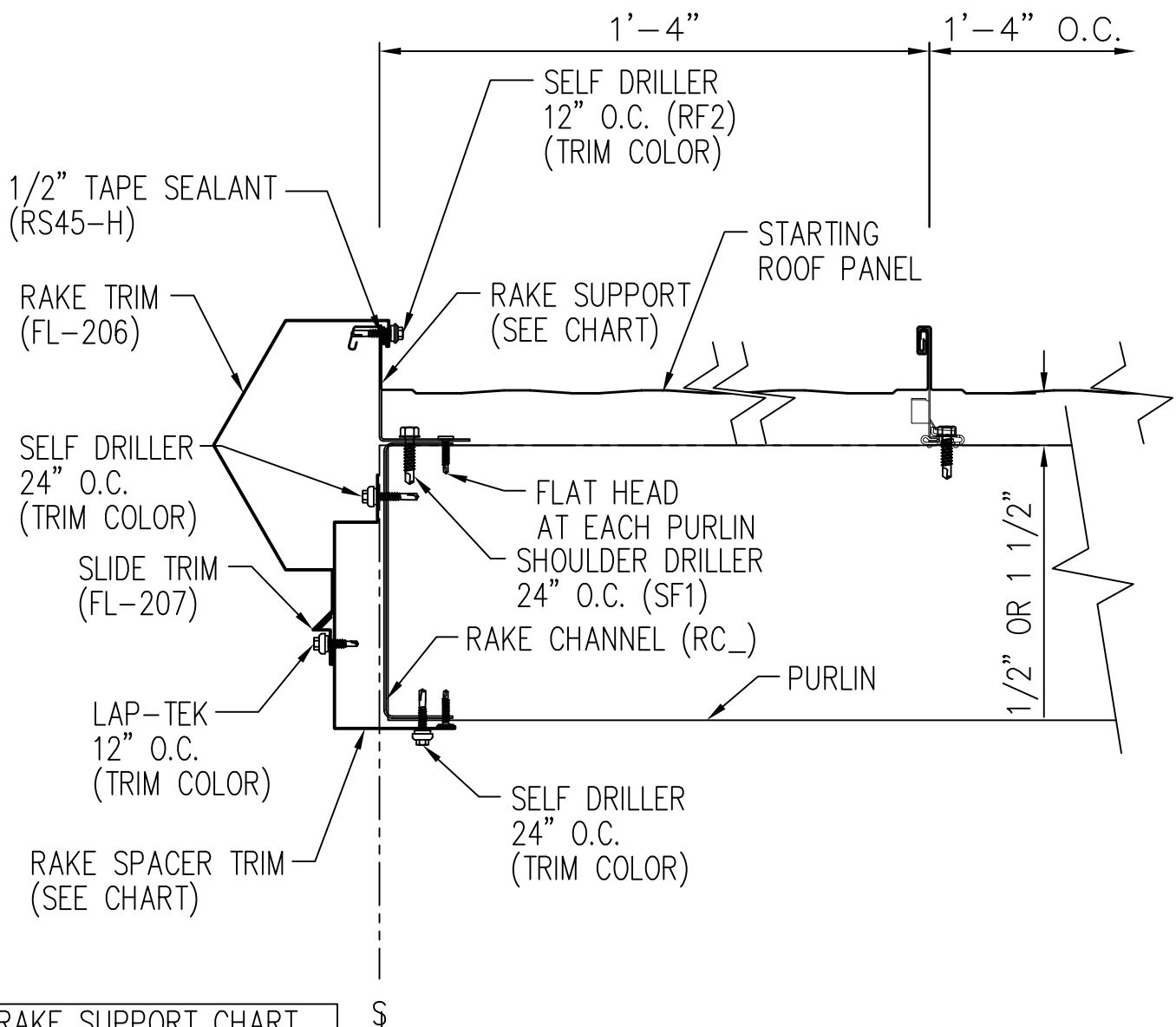
TRIM CHART	
PURLIN SIZE	PIECE MARK
8"	FL-241
10"	FL-241
12"	FL-500

High Eave Detail - VS-216

Sculptured Eave - Open Wall - No Soffit

DRAWING NO.

TD161



RAKE SUPPORT CHART	
STANDOFF	PIECE MARK
3/8"	RSA238
1 3/8"	RSA338

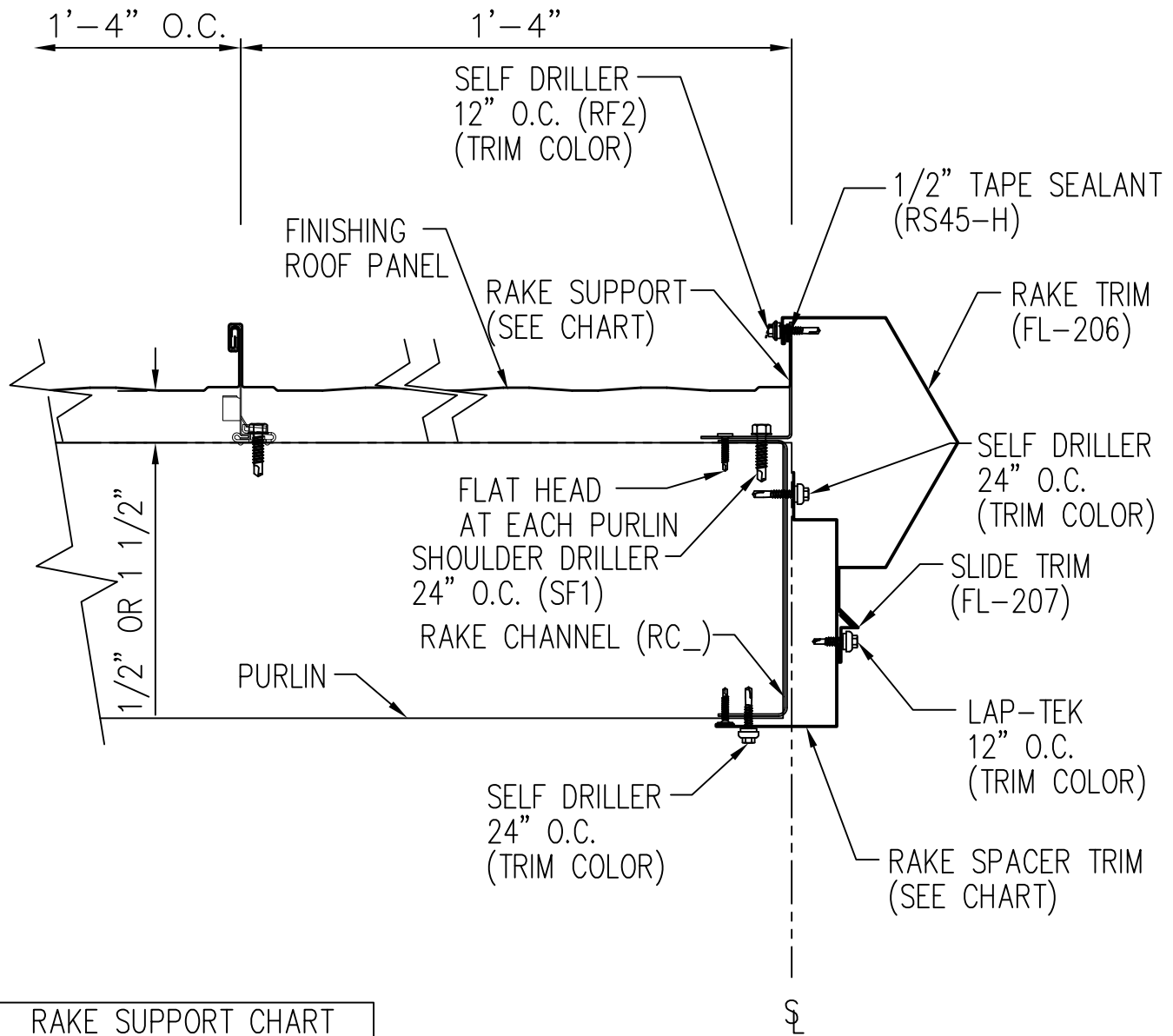
TRIM CHART	
PURLIN SIZE	PIECE MARK
8"	FL-365
10"	FL-365
12"	FL-366

Starting Rake Detail - VS-216

Sculptured Rake - Open Wall - No Soffit

DRAWING NO.

TD162



RAKE SUPPORT CHART	
STANDOFF	PIECE MARK
3/8"	RSA238
1 3/8"	RSA338

TRIM CHART	
PURLIN SIZE	PIECE MARK
8"	FL-365
10"	FL-365
12"	FL-366

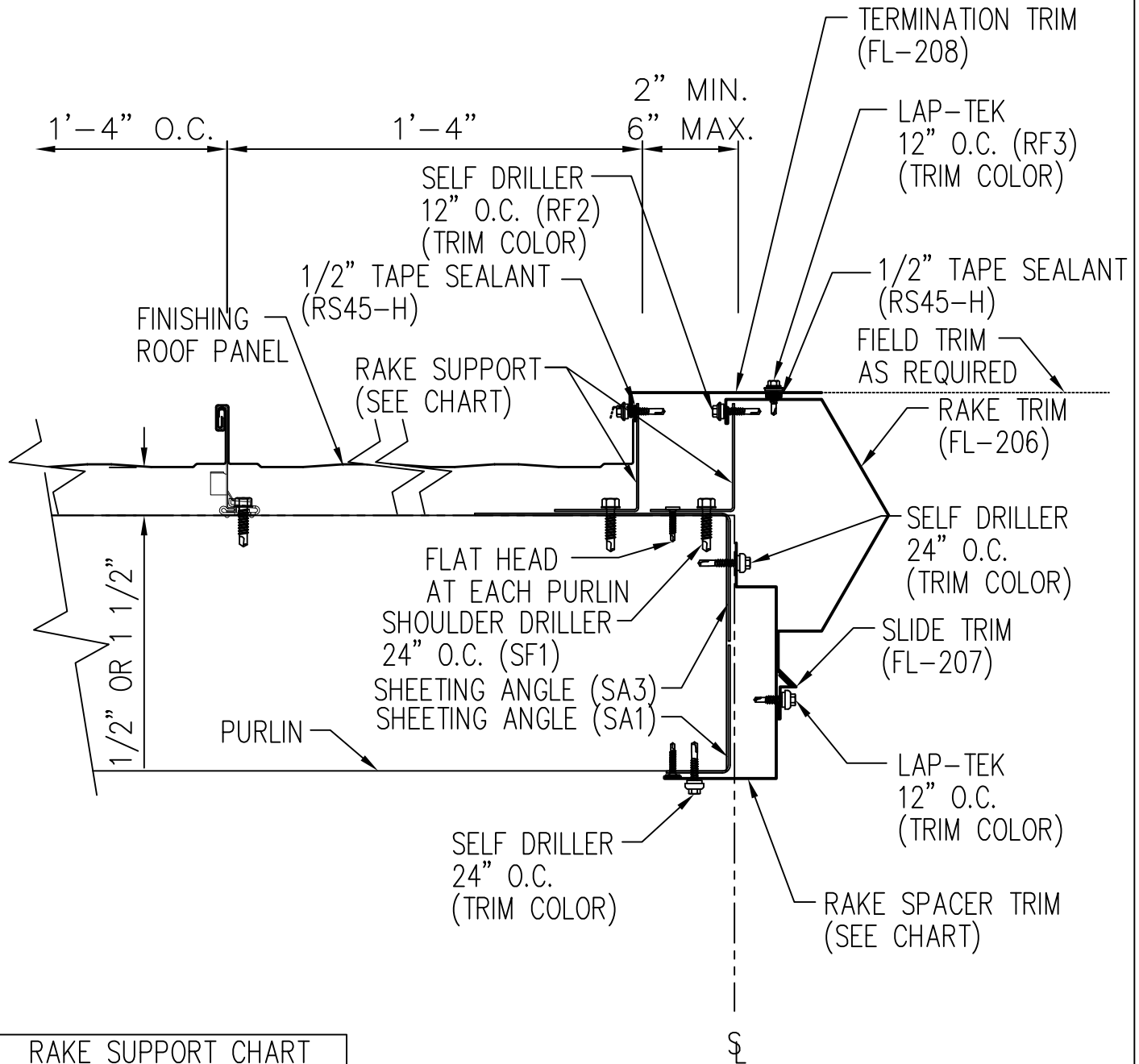
NOTE: FIELD CUT/CRIMP TOP LEG OF PANEL PRIOR TO INSTALLING RAKE TRIM

Finishing Rake Detail - VS-216

Sculptured Rake - Open Wall - No Soffit (On Module)

DRAWING NO.

TD163



RAKE SUPPORT CHART	
STANDOFF	PIECE MARK
3/8"	RSA238
1 3/8"	RSA338

TRIM CHART	
PURLIN SIZE	PIECE MARK
8"	FL-365
10"	FL-365
12"	FL-366

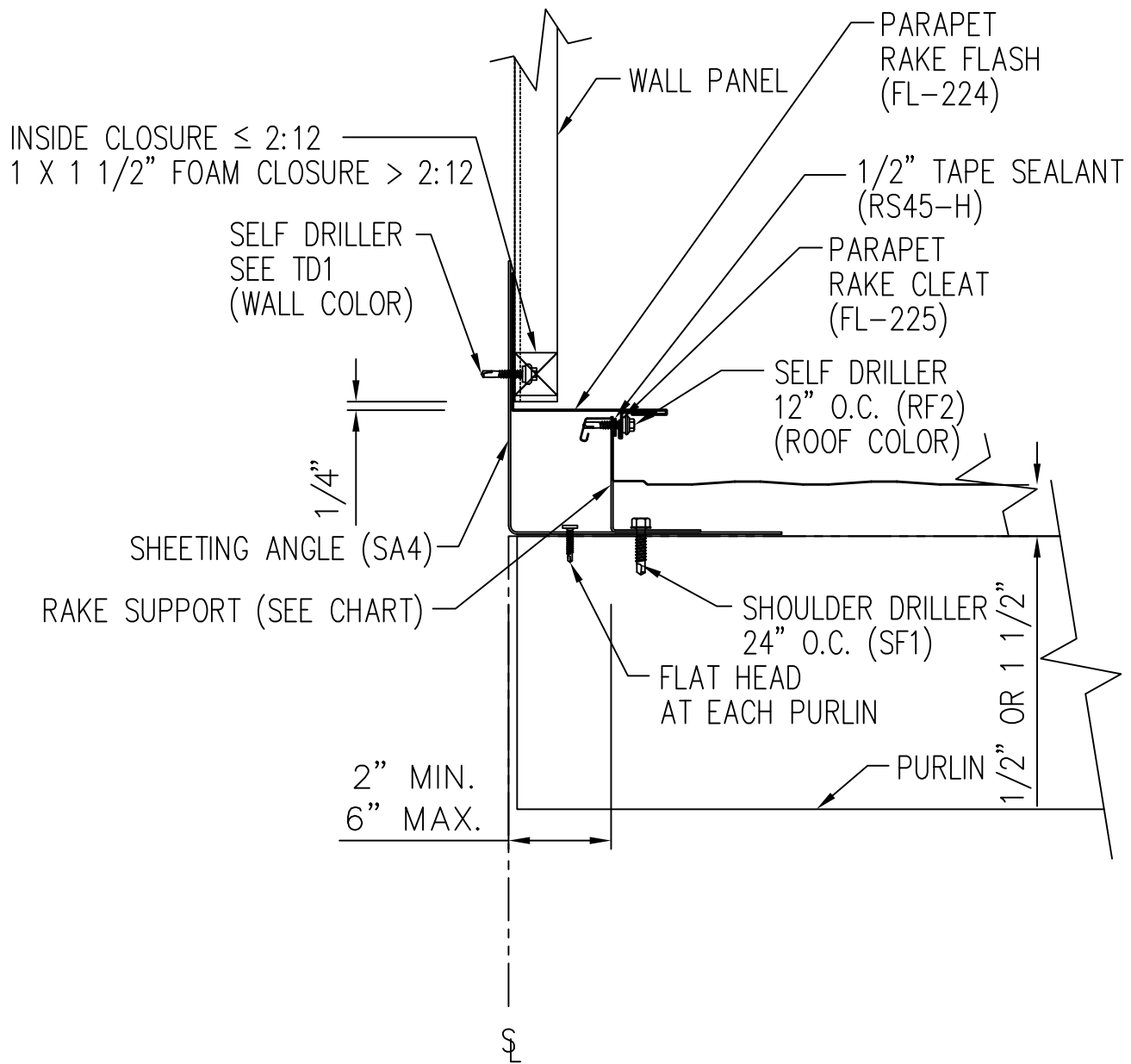
NOTE: FIELD CUT/CRIMP TOP LEG OF PANEL PRIOR TO INSTALLING RAKE TRIM

Finishing Rake Detail - VS-216

Sculptured Rake - Open Wall - No Soffit (Off Module) (Option 1)

DRAWING NO.

TD164



RAKE SUPPORT CHART	
STANDOFF	PIECE MARK
3/8"	RSA238
1 3/8"	RSA338

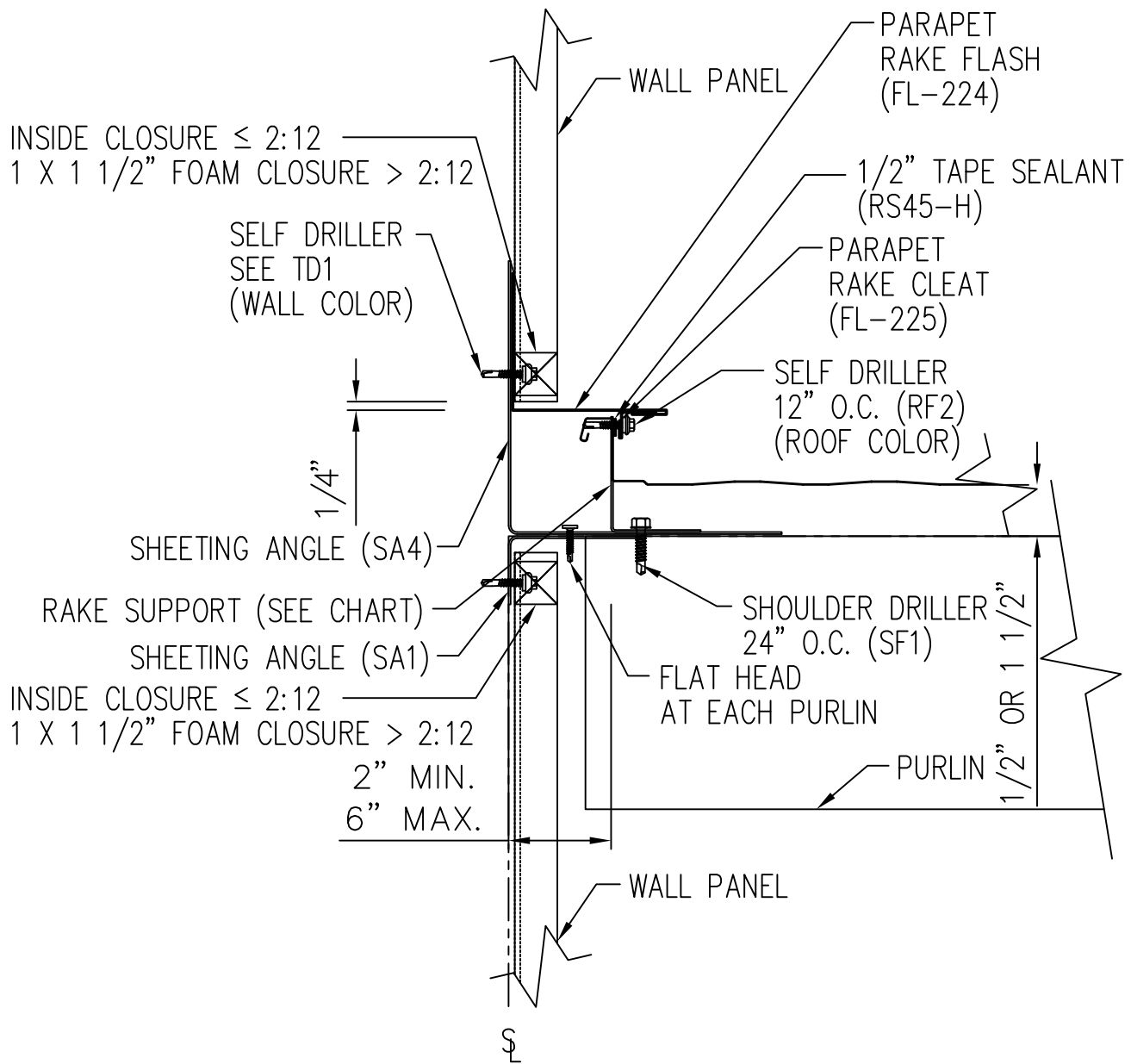
NOTE: FIELD SLOPE CUT WALL PANELS AS REQUIRED FOR ROOF SLOPE

Starting Rake Parapet Detail – VS-216

Open Wall Below – No Soffit

DRAWING NO.

TD262



RAKE SUPPORT CHART	
STANDOFF	PIECE MARK
3/8"	RSA238
1 3/8"	RSA338

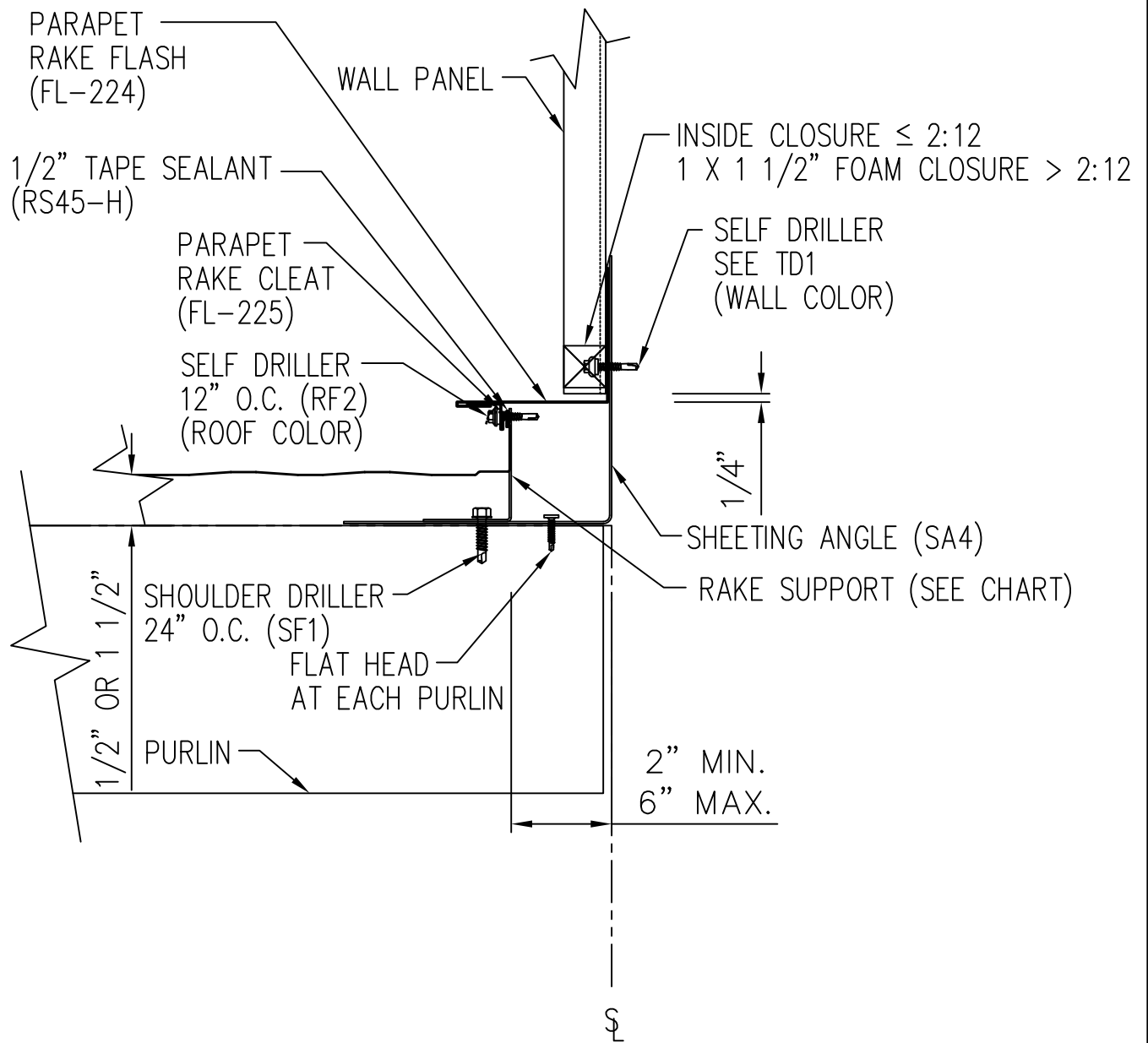
NOTE: FIELD SLOPE CUT WALL PANELS AS REQUIRED FOR ROOF SLOPE

Starting Rake Parapet Detail – VS-216

Sheeted Wall Below – No Soffit

DRAWING NO.

TD262



RAKE SUPPORT CHART	
STANDOFF	PIECE MARK
3/8"	RSA238
1 3/8"	RSA338

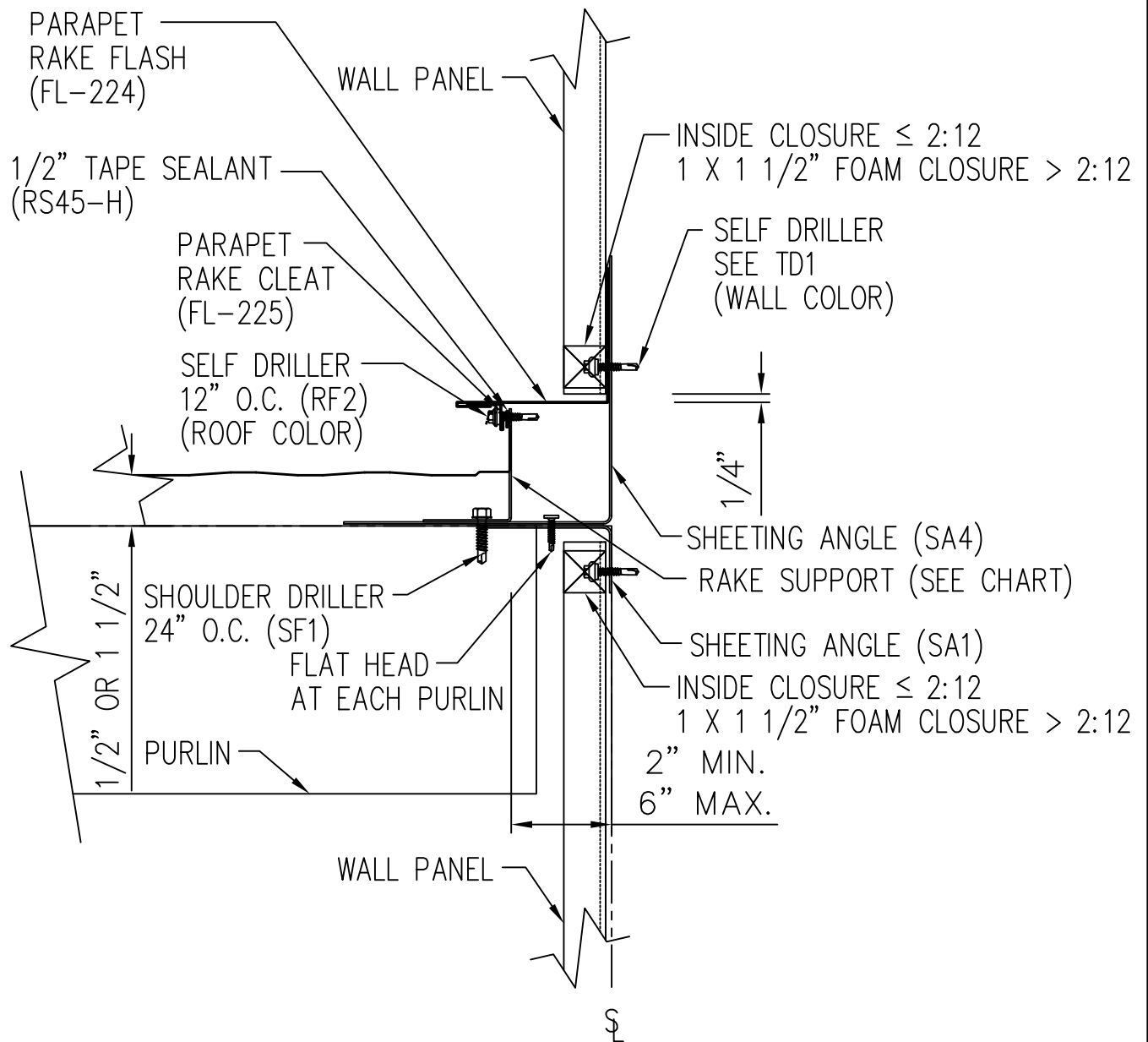
NOTE: FIELD CUT/CRIMP TOP LEG OF PANEL PRIOR TO INSTALLING RAKE TRIM
NOTE: FIELD SLOPE CUT WALL PANELS AS REQUIRED FOR ROOF SLOPE

Finishing Rake Parapet Detail - VS-216

Open Wall Below - No Soffit (Off Module) (Option 1)

DRAWING NO.

TD263



RAKE SUPPORT CHART	
STANDOFF	PIECE MARK
3/8"	RSA238
1 3/8"	RSA338

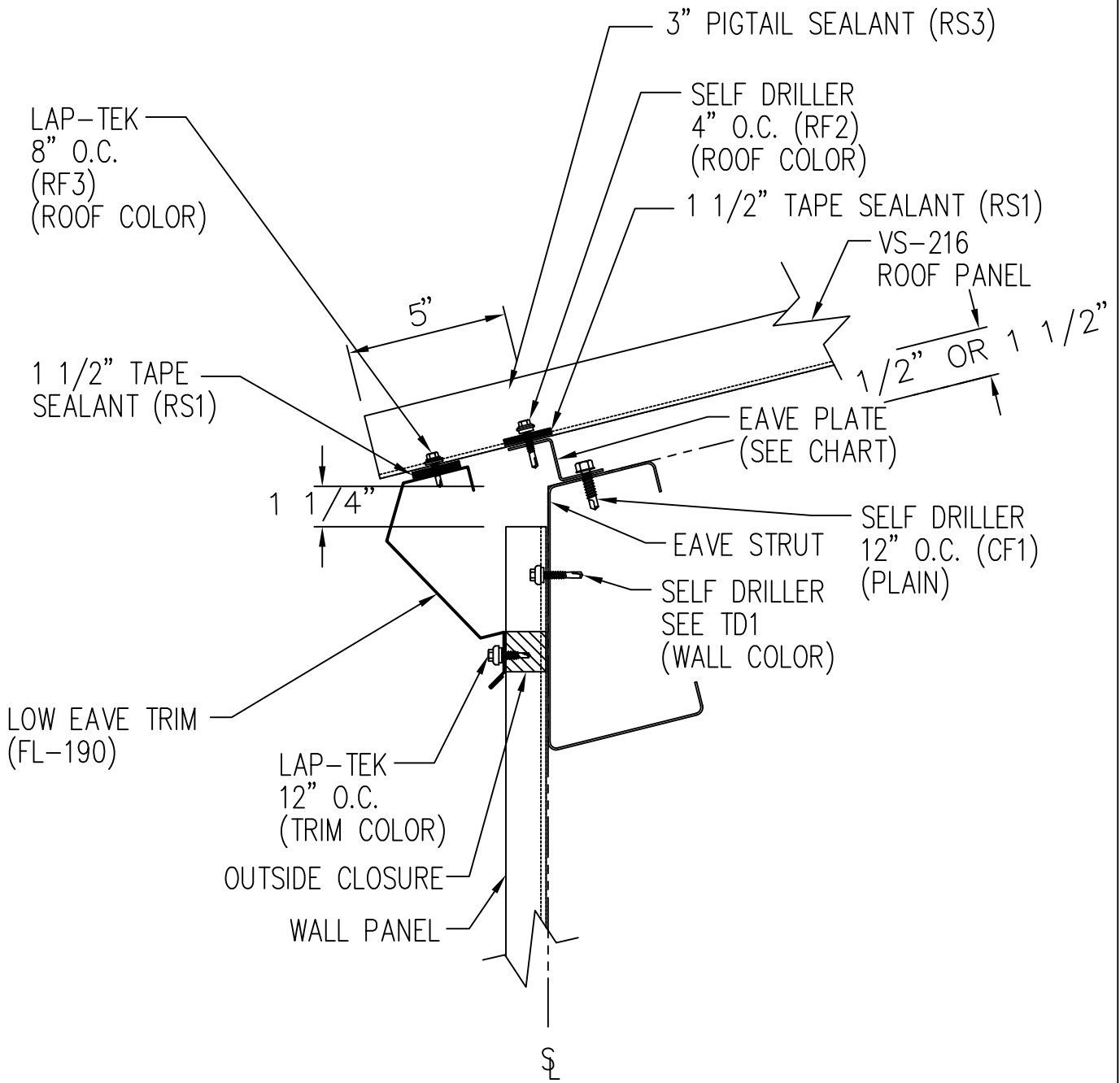
NOTE: FIELD CUT/CRIMP TOP LEG OF PANEL PRIOR TO INSTALLING RAKE TRIM
 NOTE: FIELD SLOPE CUT WALL PANELS AS REQUIRED FOR ROOF SLOPE

Finishing Rake Parapet Detail – VS-216

Sheeted Wall Below – No Soffit (Off Module) (Option 1)

DRAWING NO.

TD263



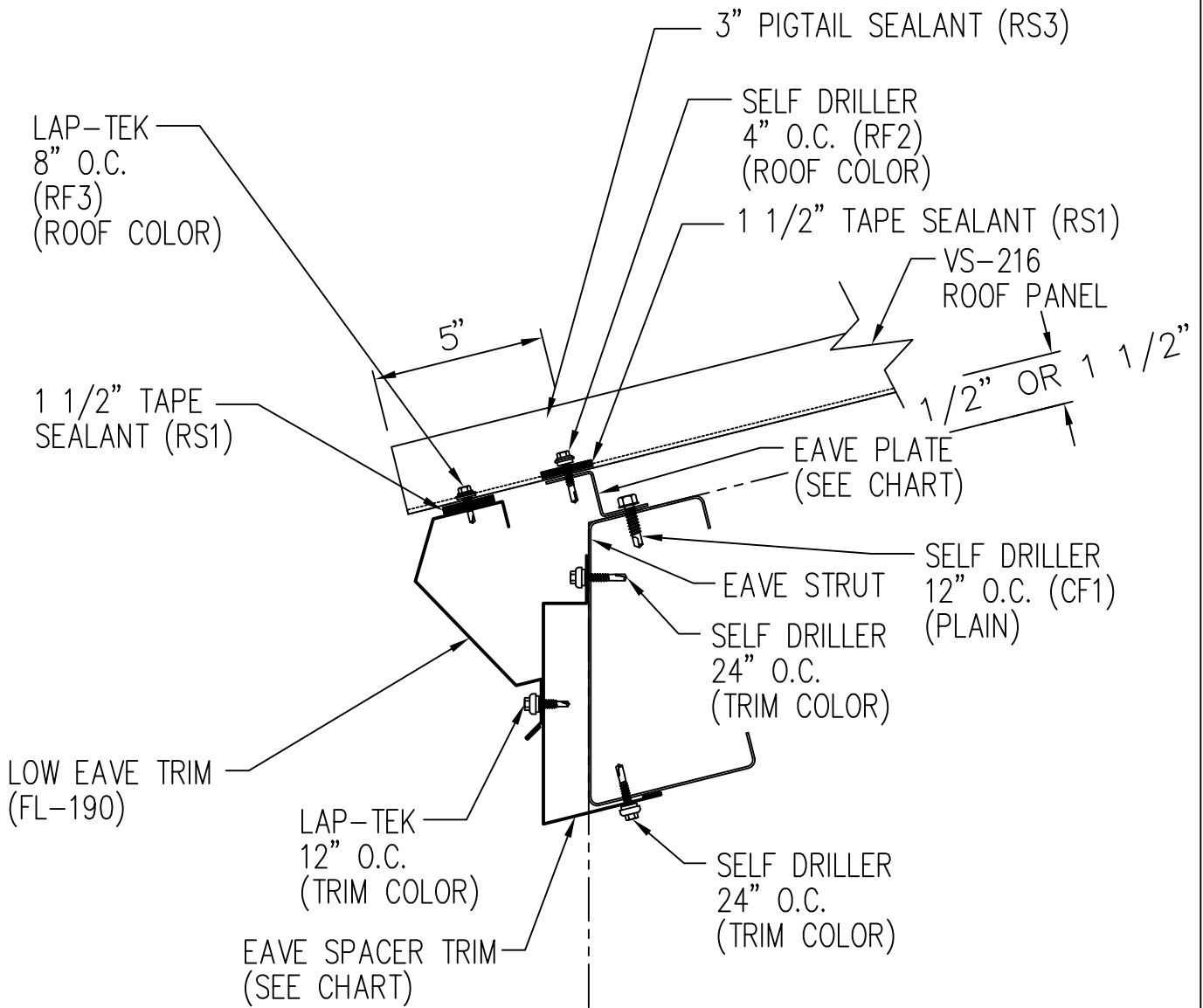
EAVE PLATE CHART	
STANDOFF	PIECE MARK
3/8"	EP038
1 3/8"	EP138

Low Eave Detail - VS-216

Sculptured Eave - Sheeted Wall

DRAWING NO.

TD266



EAVE PLATE CHART	
STANDOFF	PIECE MARK
3/8"	EP038
1 3/8"	EP138

TRIM CHART	
PURLIN SIZE	PIECE MARK
8"	FL-80
10"	FL-500
12"	FL-500

Low Eave Detail - VS-216

Sculptured Eave - Open Wall - No Soffit

DRAWING NO.

TD268