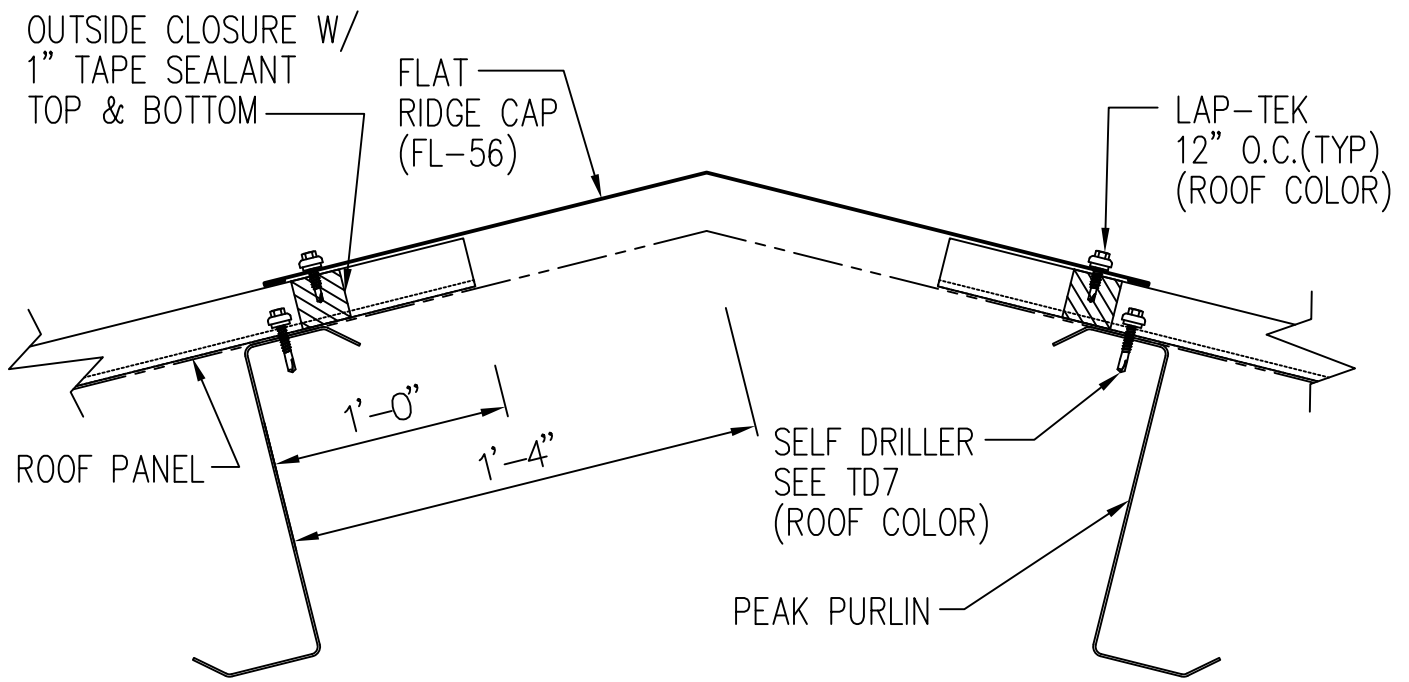


Die Formed Ridge Detail – PBR

Up to a 4:12 Roof Slope

DRAWING NO.

TD8

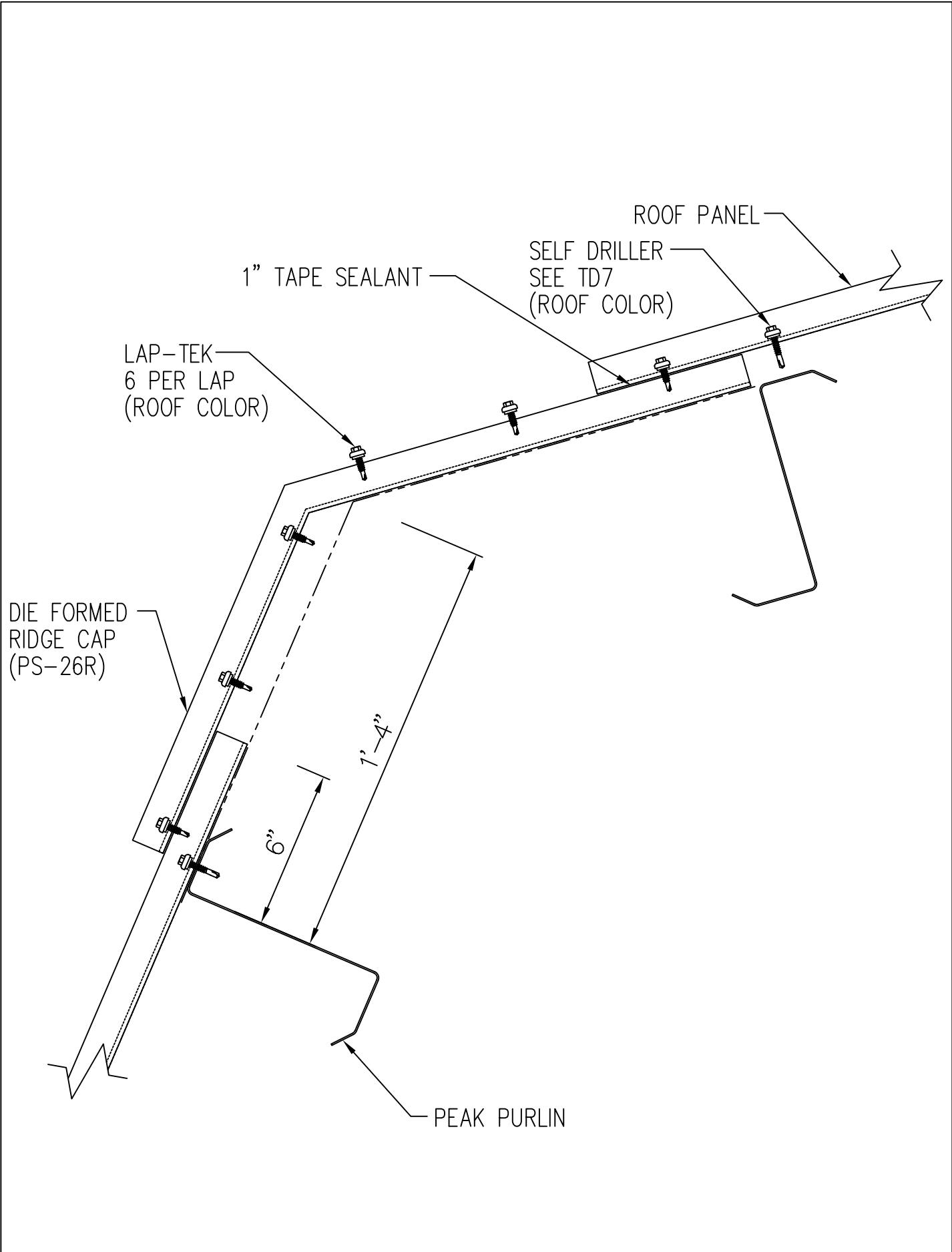


Flat Ridge Detail – PBR

Greater Than 4:12 Roof Slope

DRAWING NO.

TD9

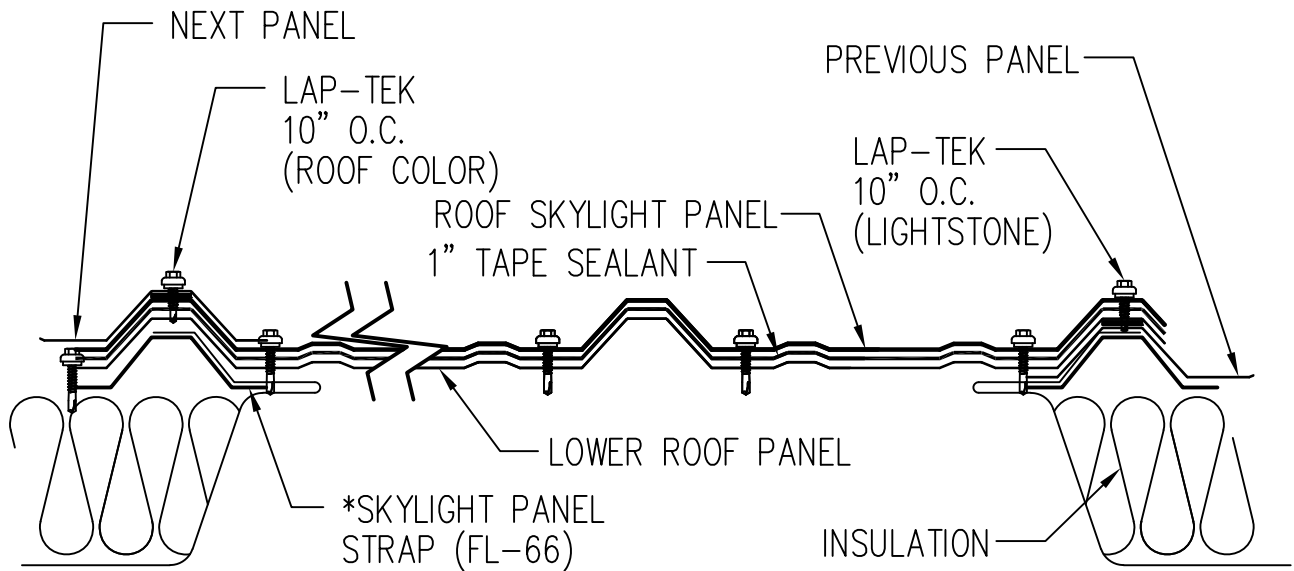
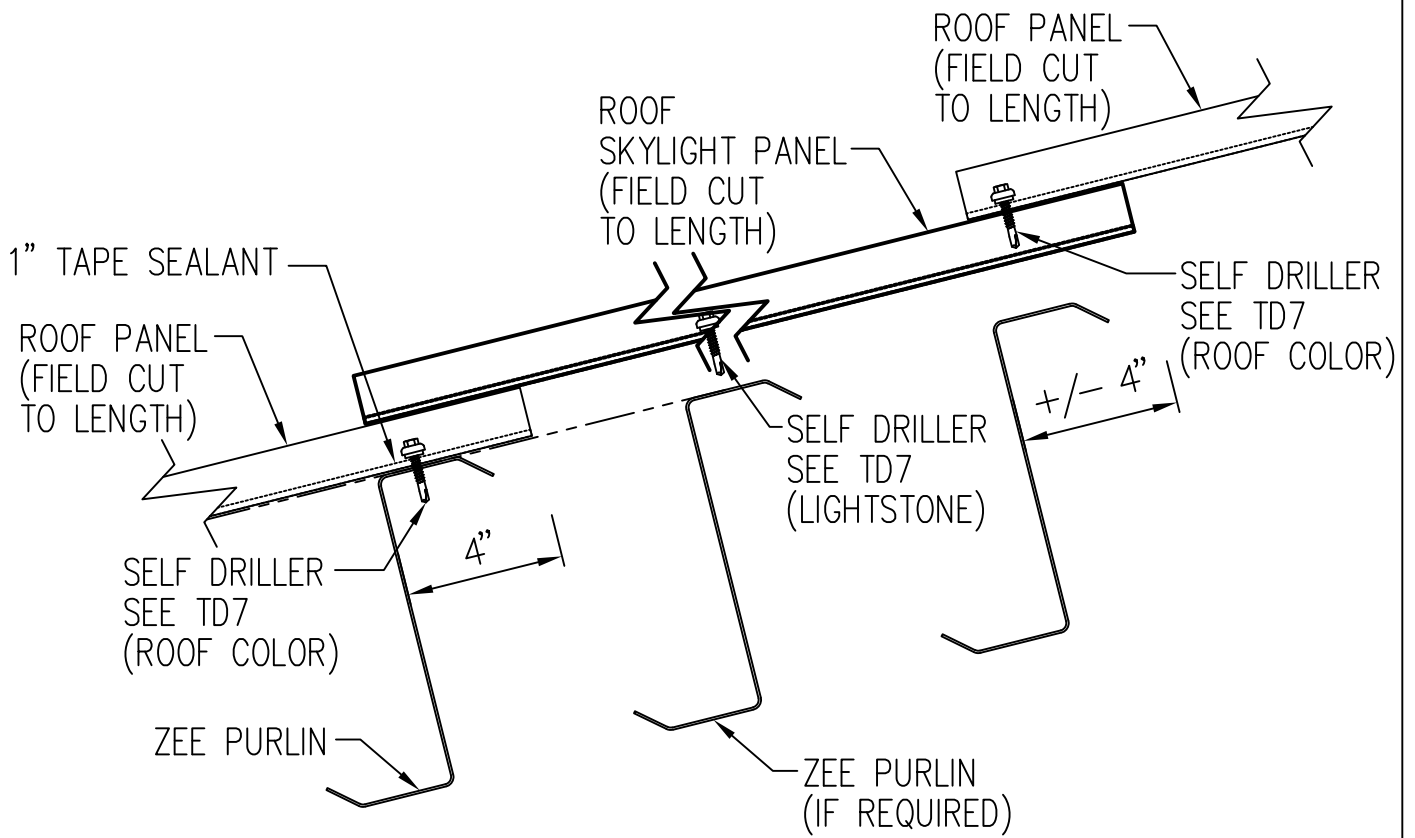


Die Formed Ridge Detail – PBR

Up to a 5 3/4:12 Roof Slope

DRAWING NO.

TD9



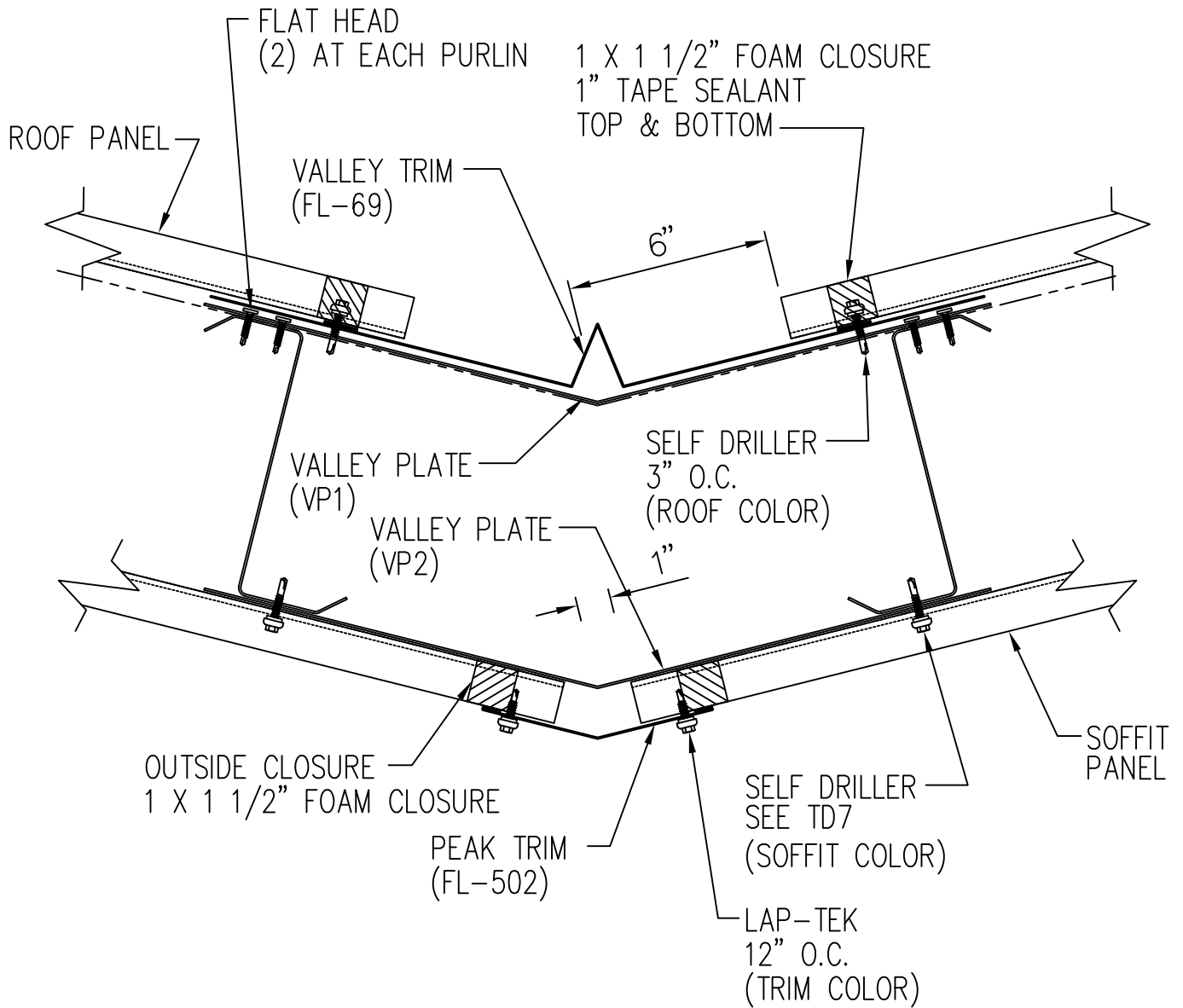
NOTE: ALL ROOF SKYLIGHT PANELS ARE FIELD LOCATED.

*NOTE: STRIP FIBERGLASS FROM LAMINATED FACING AND LAP OVER PANEL STRAP. (IF REQ'D)

Skylight Roof Panel Detail - PBR

DRAWING NO.

TD10

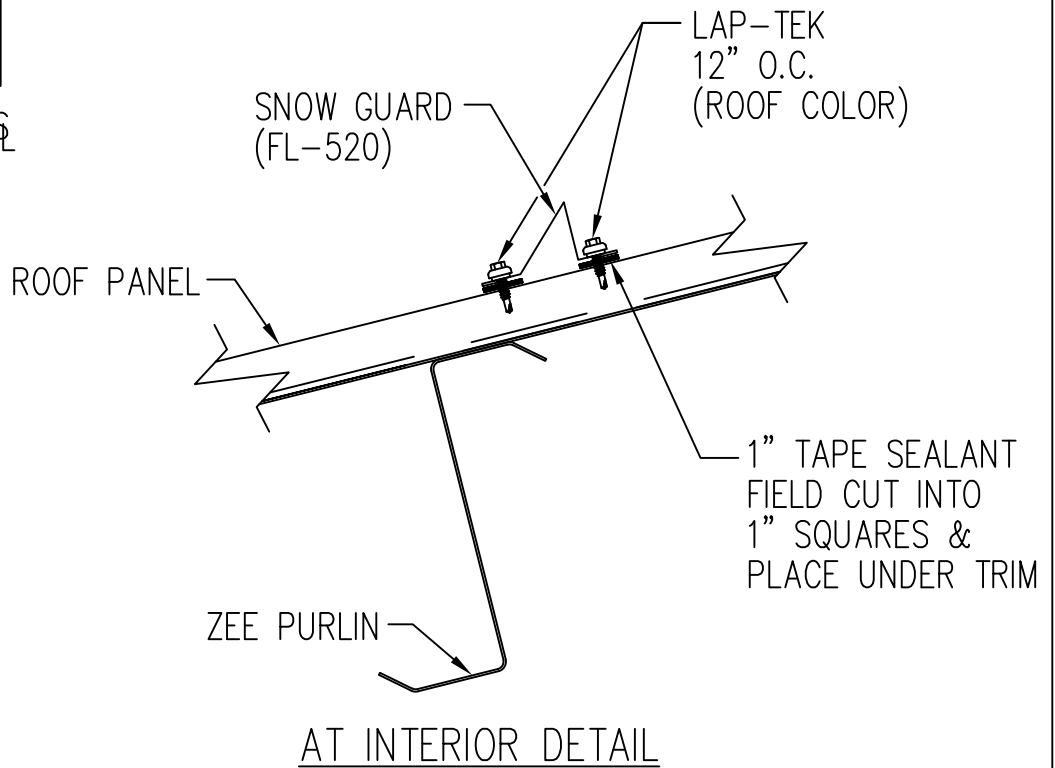
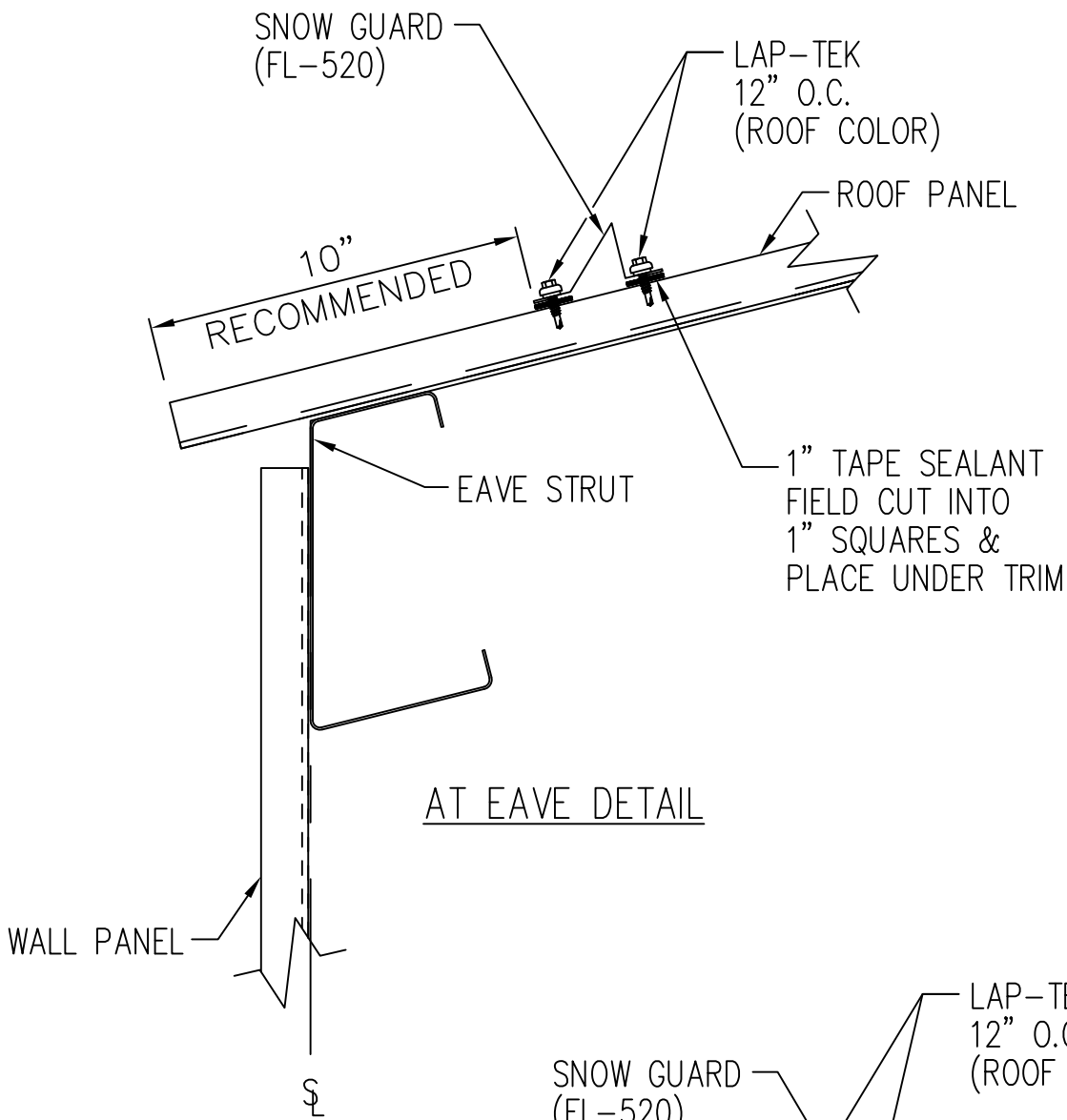


Valley Detail – PBR

Greater Than 4:12 Roof Slope

DRAWING NO.

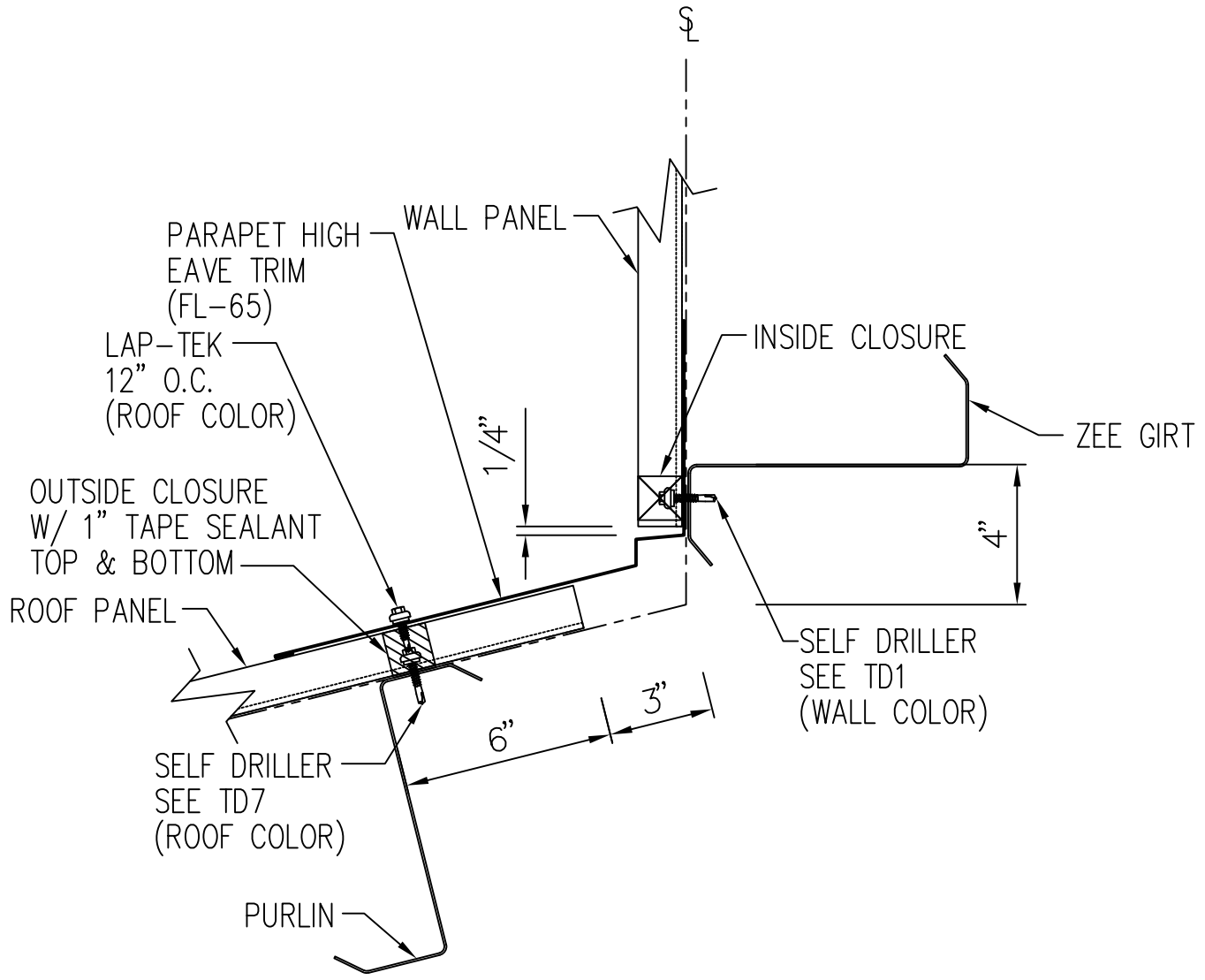
TD10



Snow Guard Detail - PBR

DRAWING NO.

TD11

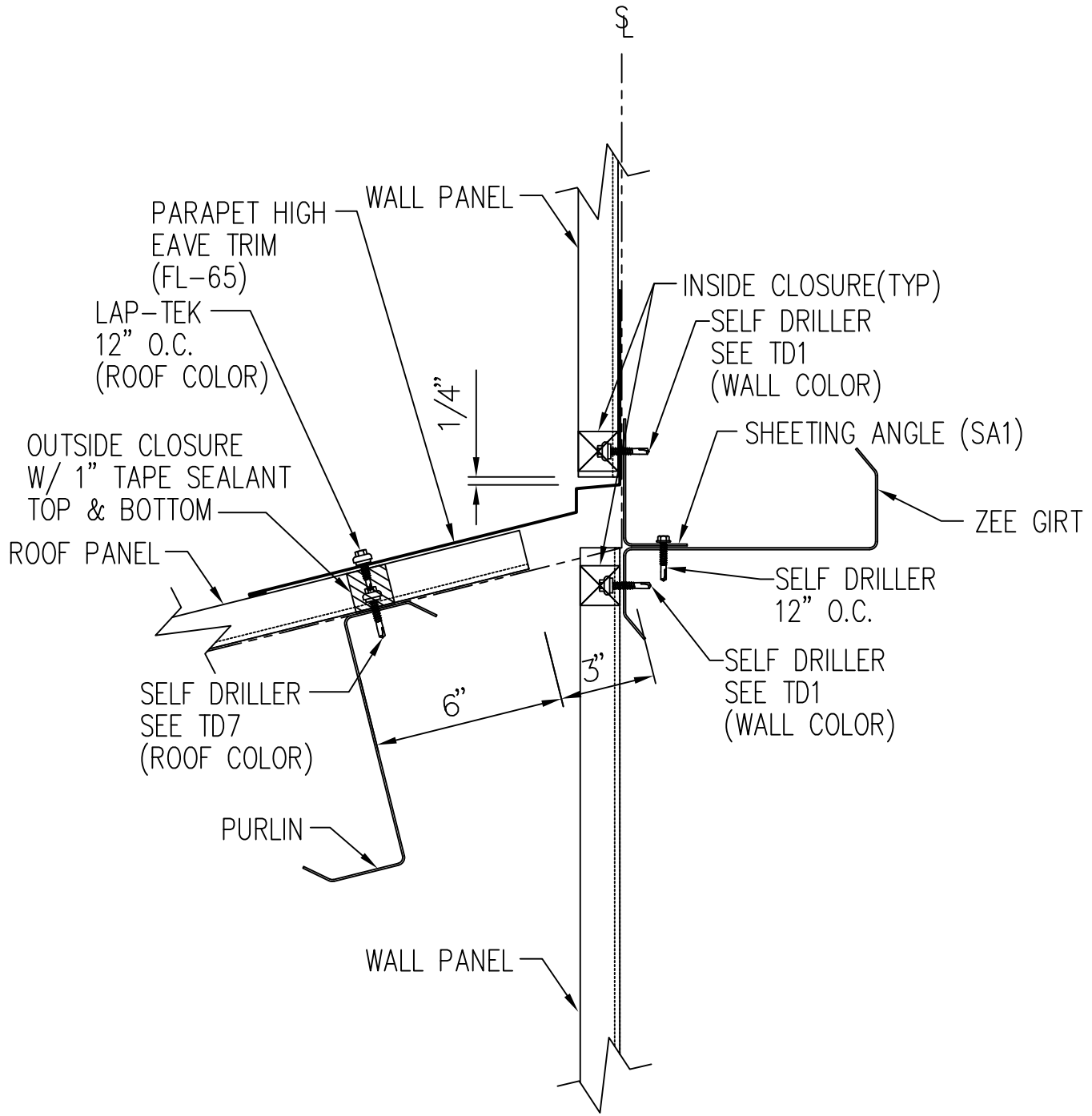


High Eave Parapet Detail – PBR

Open Wall – No Soffit

DRAWING NO.

TD207

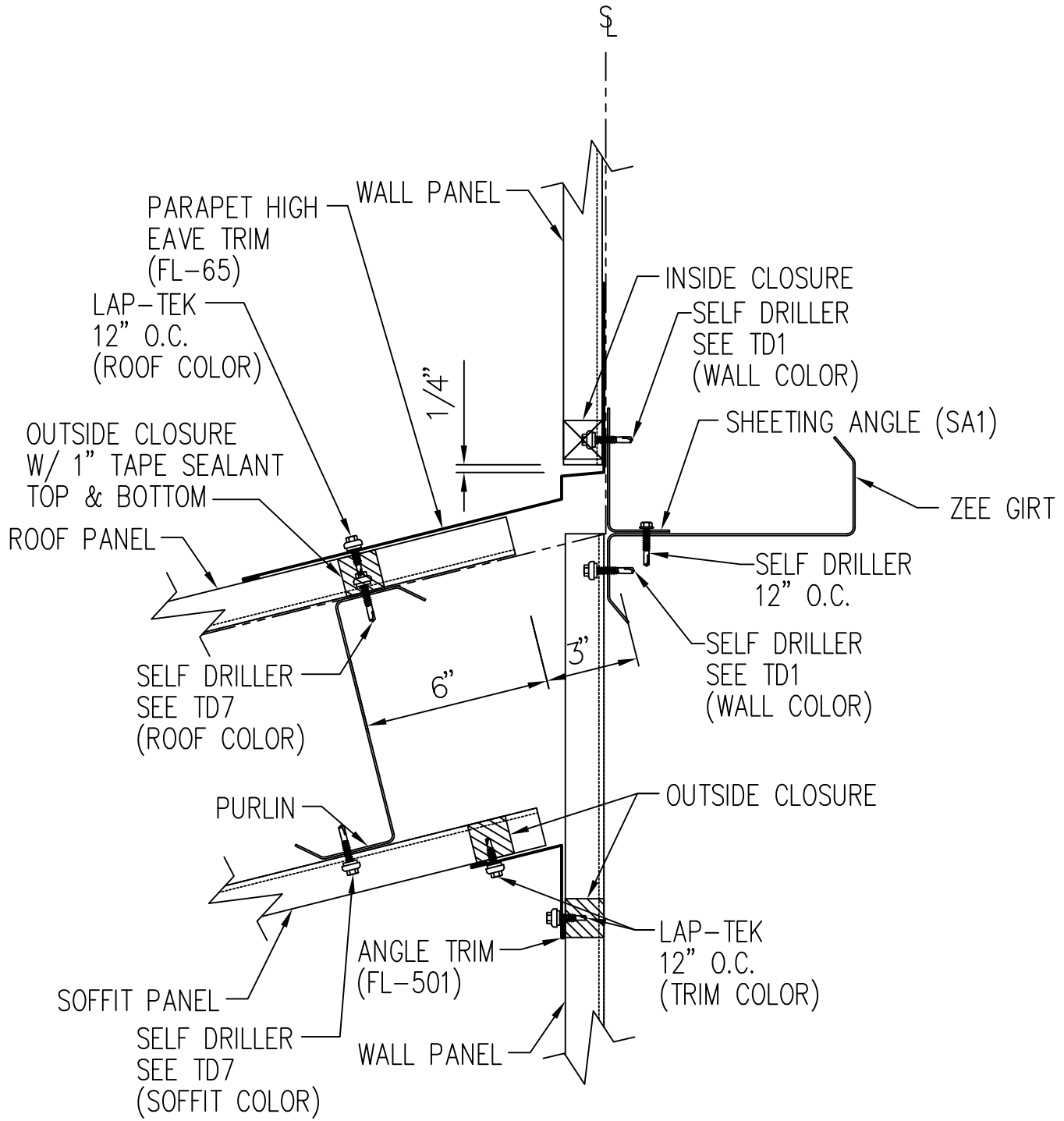


High Eave Parapet Detail – PBR

Sheeted Wall – No Soffit

DRAWING NO.

TD207

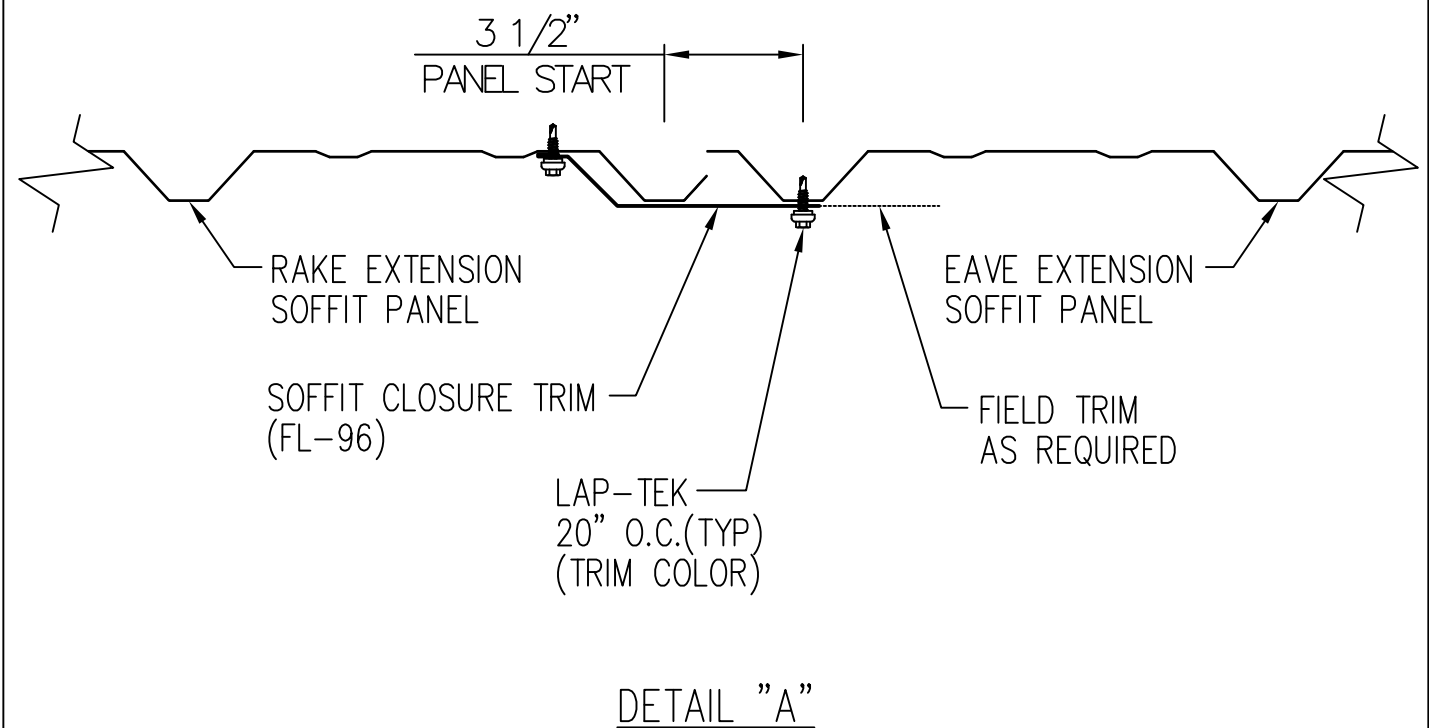
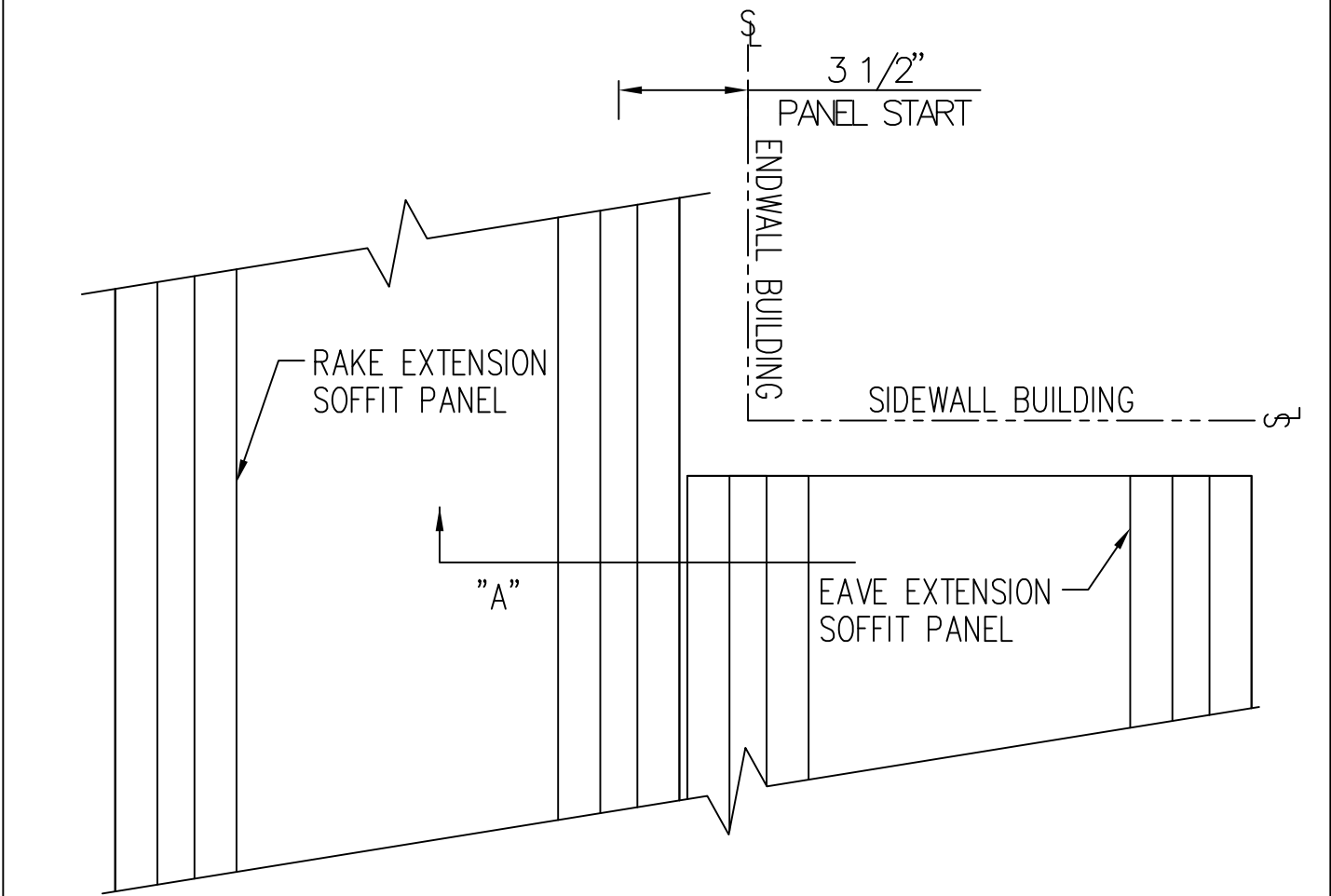


High Eave Parapet Detail – PBR

Sheeted Wall – With Soffit

DRAWING NO.

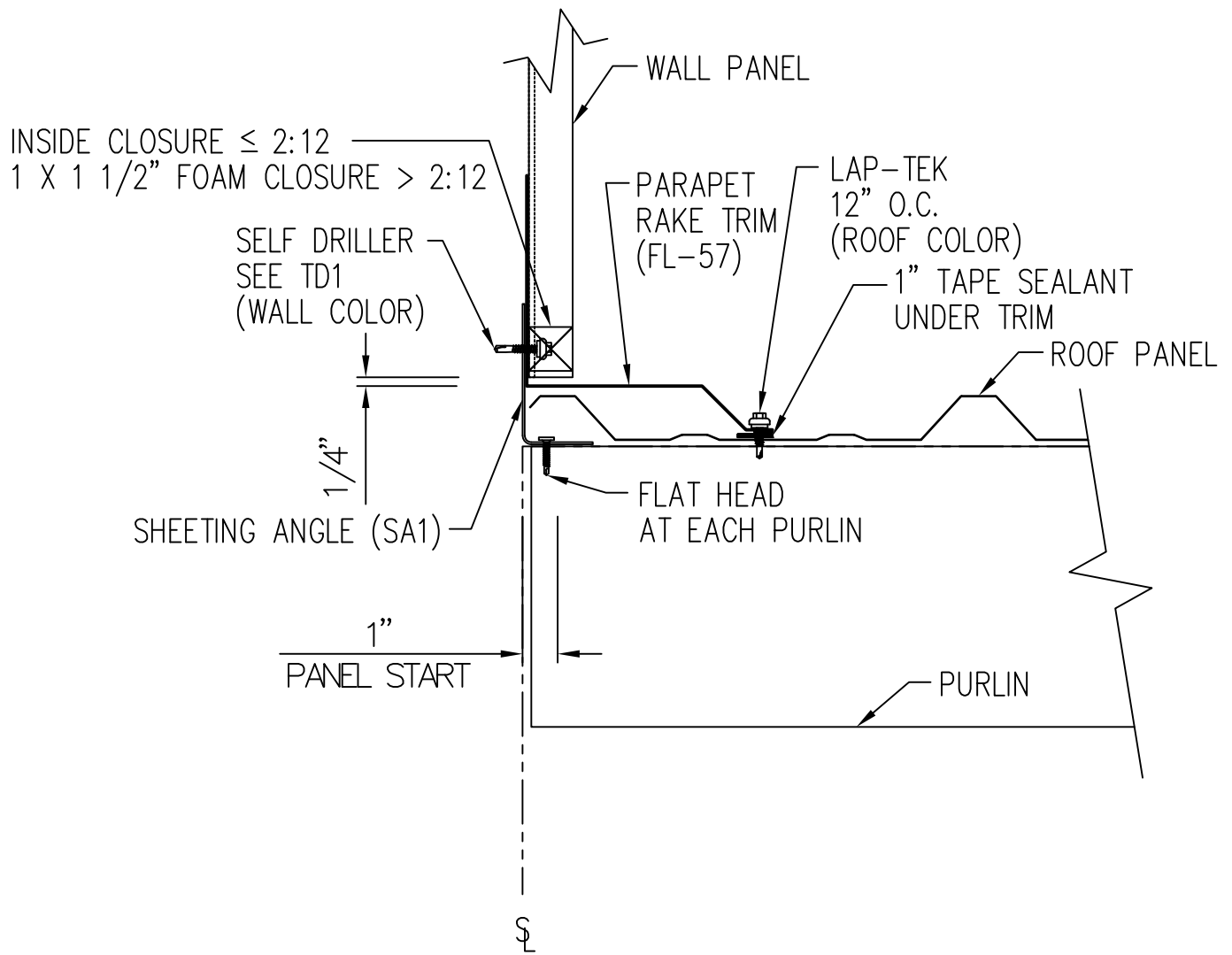
TD208



Eave & Rake Extension Corner Detail – PBR

DRAWING NO.

TD245



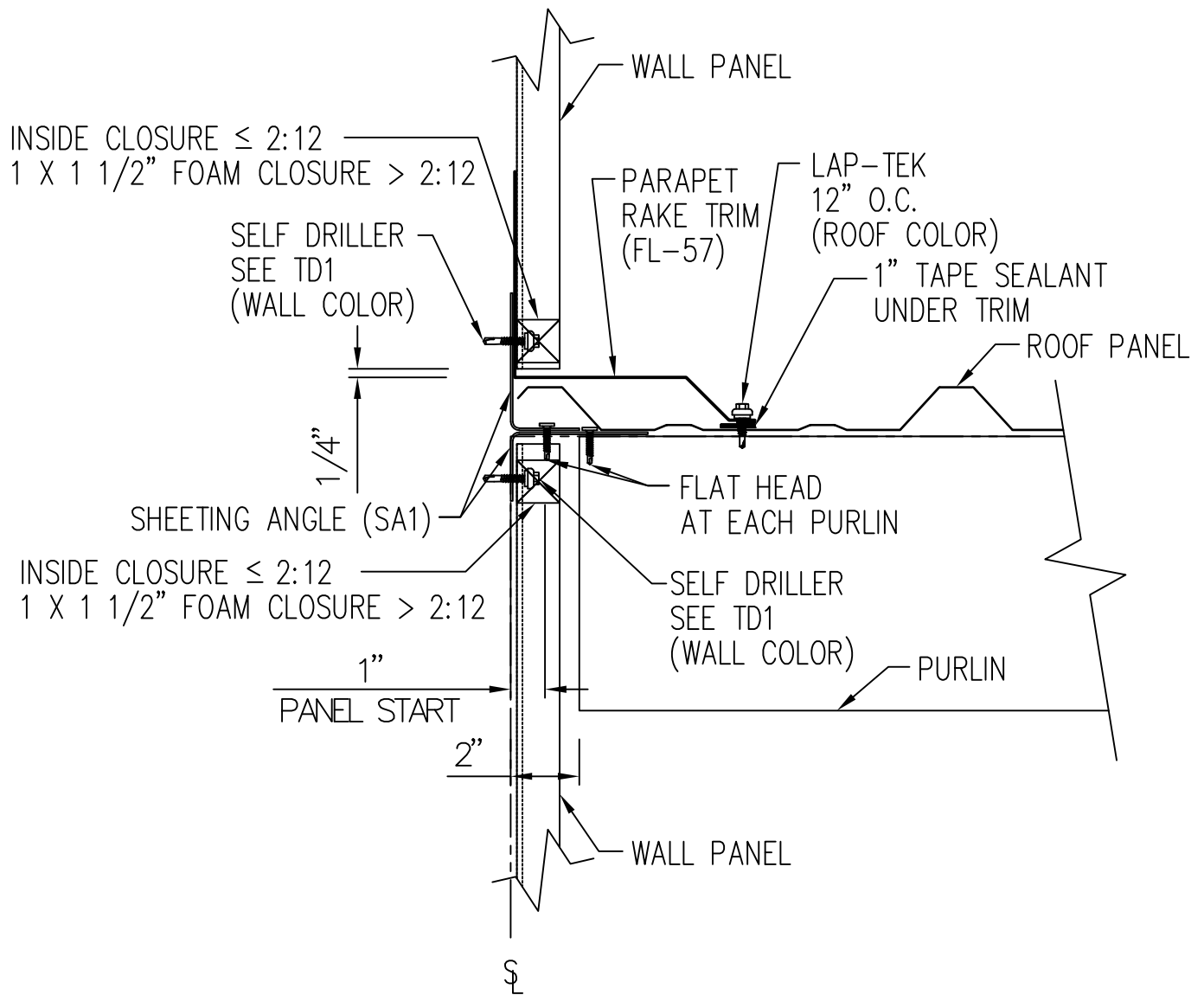
NOTE: FIELD SLOPE CUT WALL PANELS AS REQUIRED FOR ROOF SLOPE

Rake Parapet Detail – PBR

Open Wall – No Soffit

DRAWING NO.

TD255



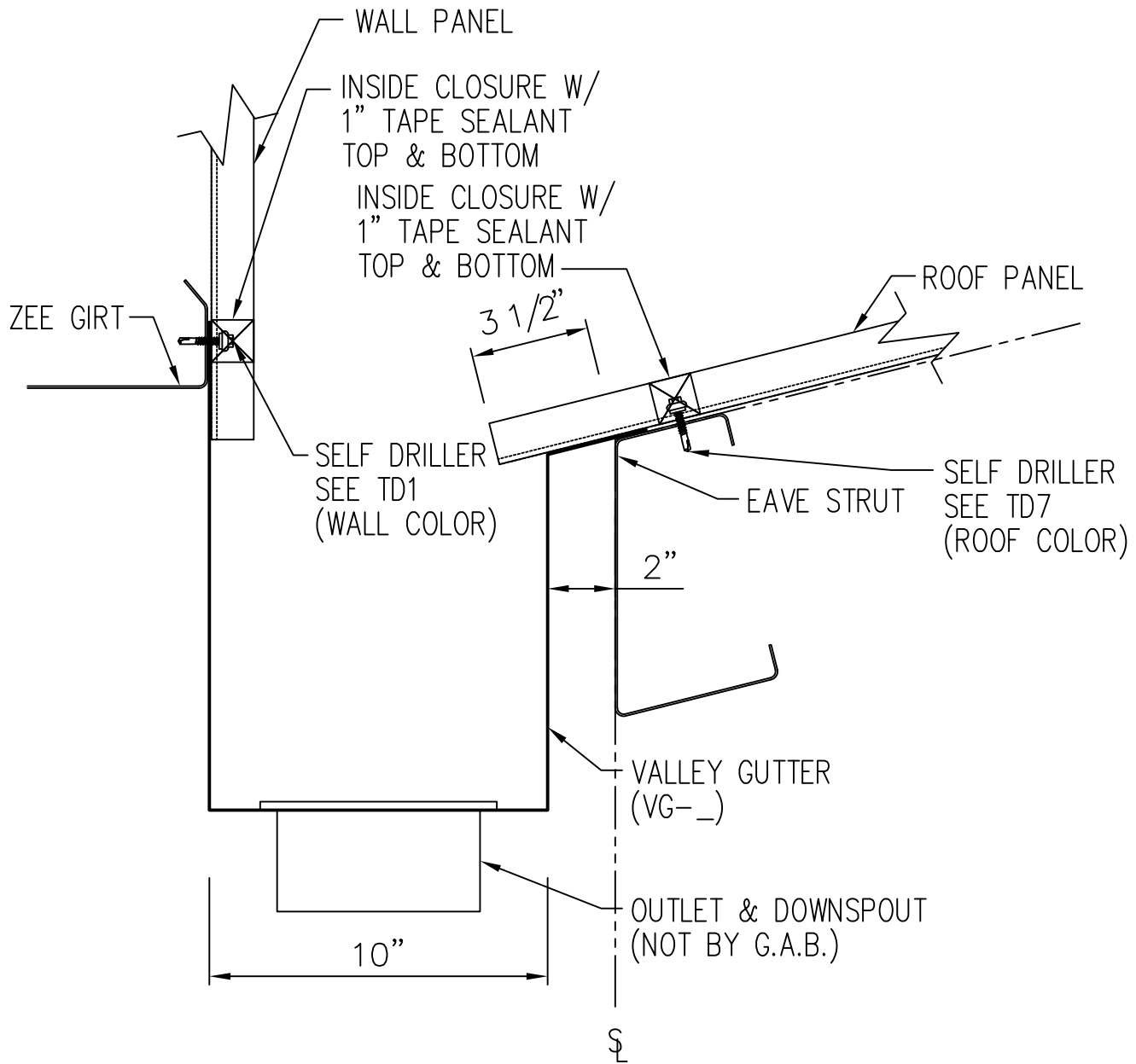
NOTE: FIELD NOTCH WALL PANEL AROUND PURLINS AND EAVE STRUTS
 NOTE: FIELD SLOPE CUT WALL PANELS AS REQUIRED FOR ROOF SLOPE

Rake Parapet Detail – PBR

Sheeted Wall – No Soffit

DRAWING NO.

TD255



NOTE: FIELD LINE W/ WATERPROOFING MATERIALS (NOT BY G.A.B.)
 NOTE: INSTALL WATERPROOFING MATERIALS BEFORE ROOF PANEL INSTALLATION.

Parapet Gutter Detail - PBR

DRAWING NO.

TD281