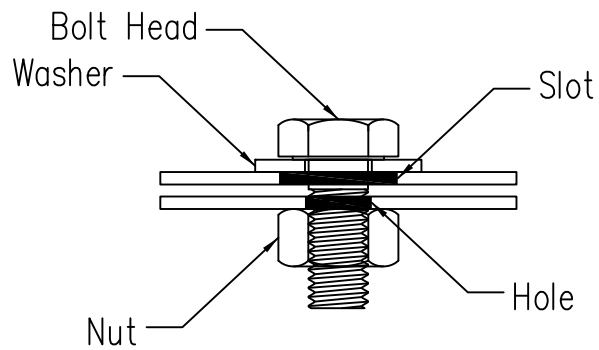
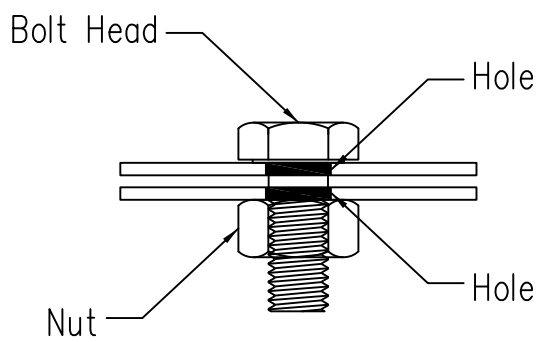


Slot to Slot Connections
 Washers are required on both sides of material if slots are used on both sides.



Slot to Hole Connections
 One washer required on slotted side only.



Hole to Hole Connections
 No washers are required when slots are not used.