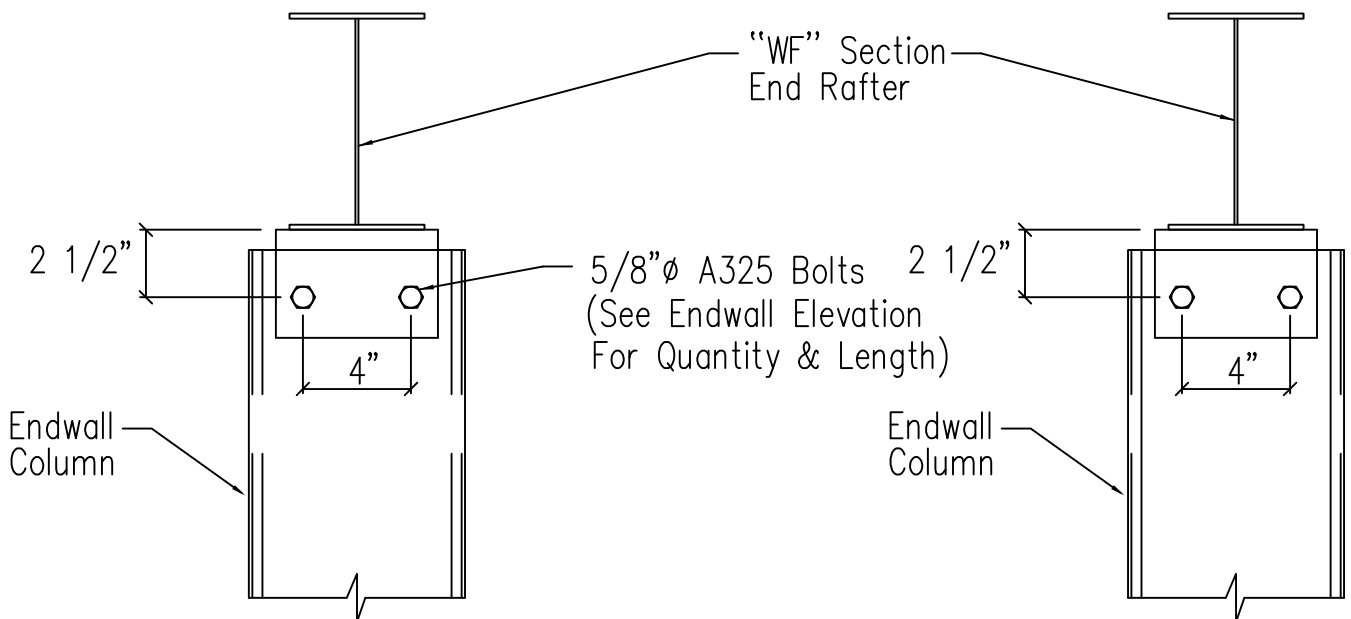


Cee Endwall Column
Toes Toward Downslope

Cee Endwall Column
Toes Toward Upslope



Cold Form Column to Hot Rolled Rafter

DRAWING NO.

SD6