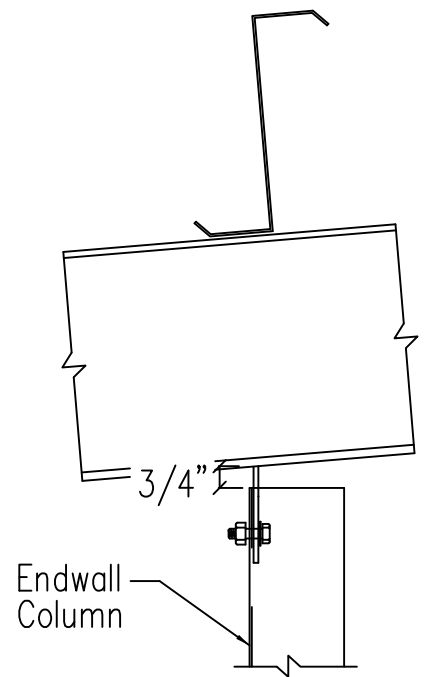
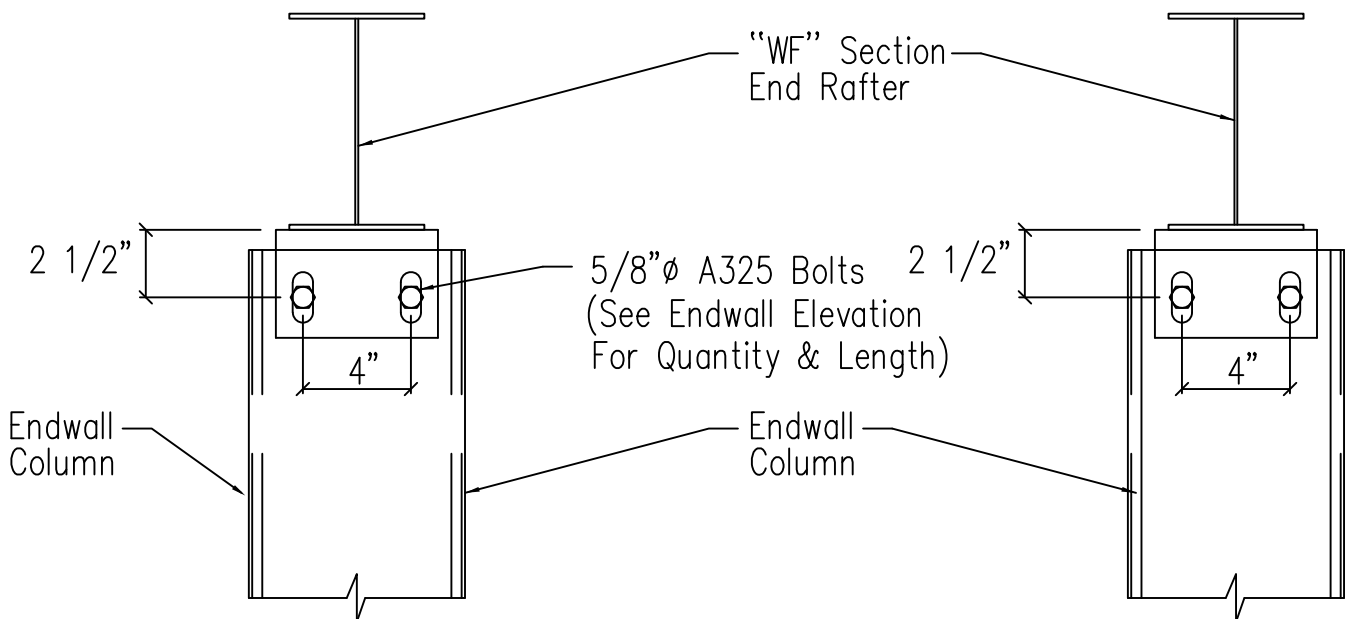


Cee Endwall Column
Toes Toward Downslope



Cee Endwall Column
Toes Toward Upslope



Cold Form Column to Main Frame Rafter

DRAWING NO.

SD8