

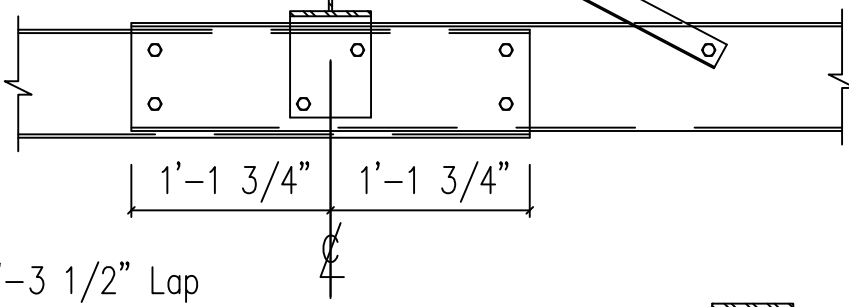
Additional
Flange Brace
(As Req'd)

Flange Brace

Flange Brace

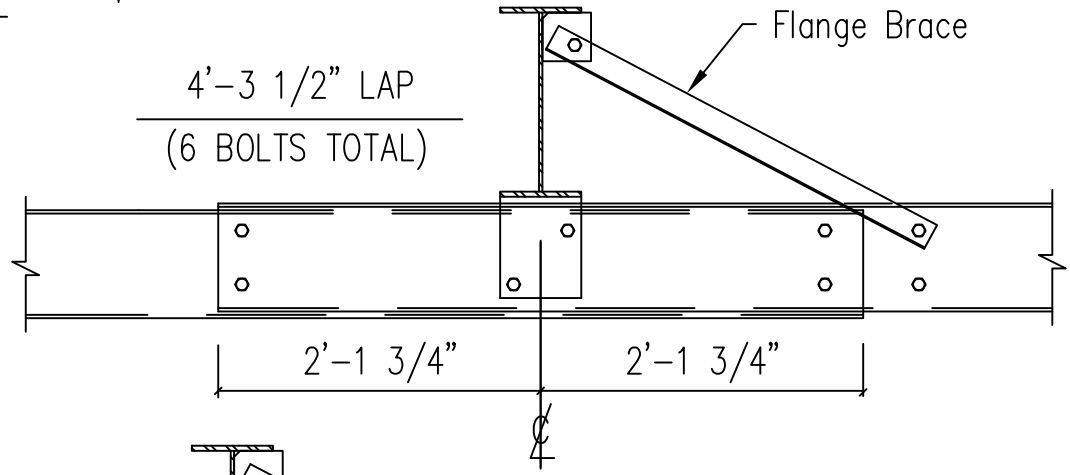
3 3/4" 3 3/4"

0'-7 1/2" Lap
(4 Bolts Total)

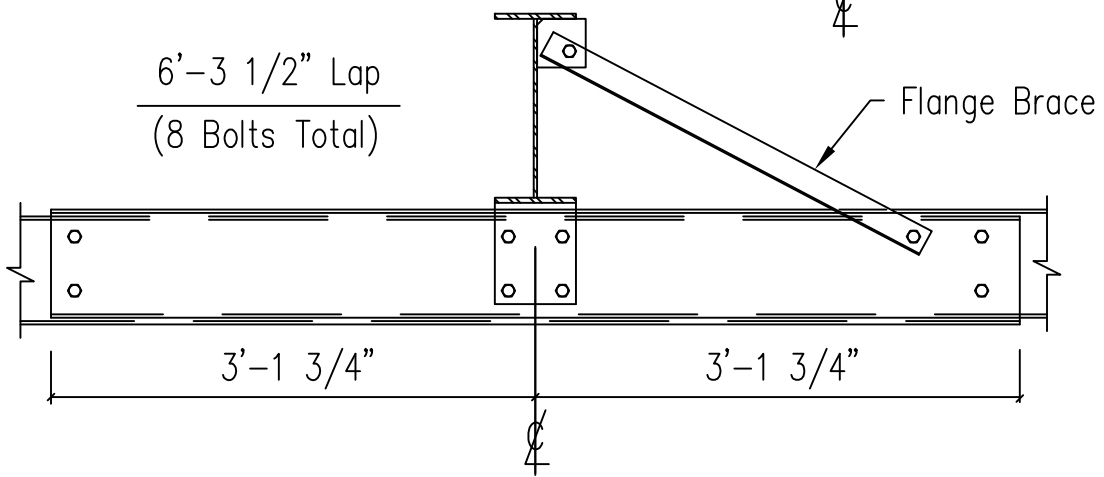


2'-3 1/2" Lap
(6 Bolts Total)

4'-3 1/2" LAP
(6 BOLTS TOTAL)



6'-3 1/2" Lap
(8 Bolts Total)



Note: All connection bolts are 1/2" x 1 1/4" machine bolts unless noted.

Interior Bay Girt Framing

DRAWING NO.

SD51