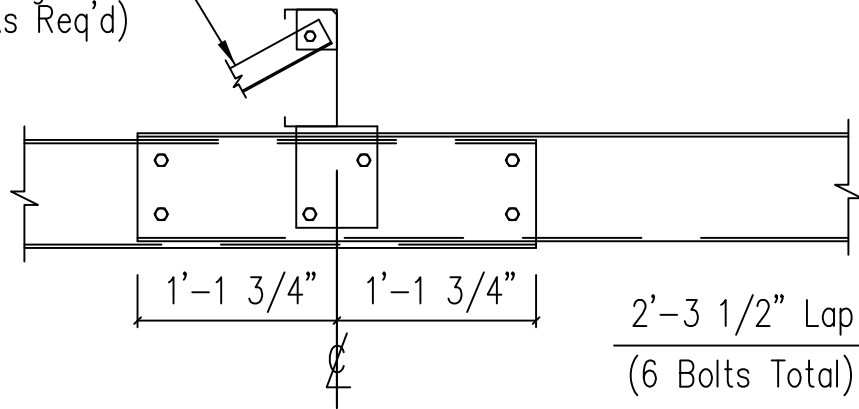
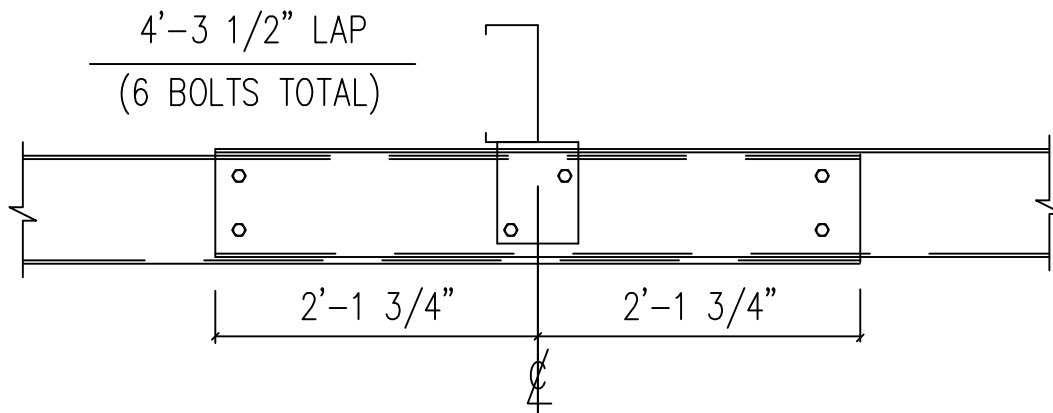
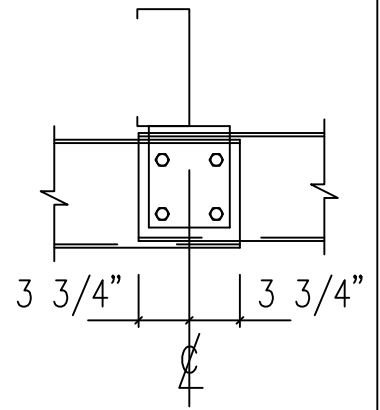


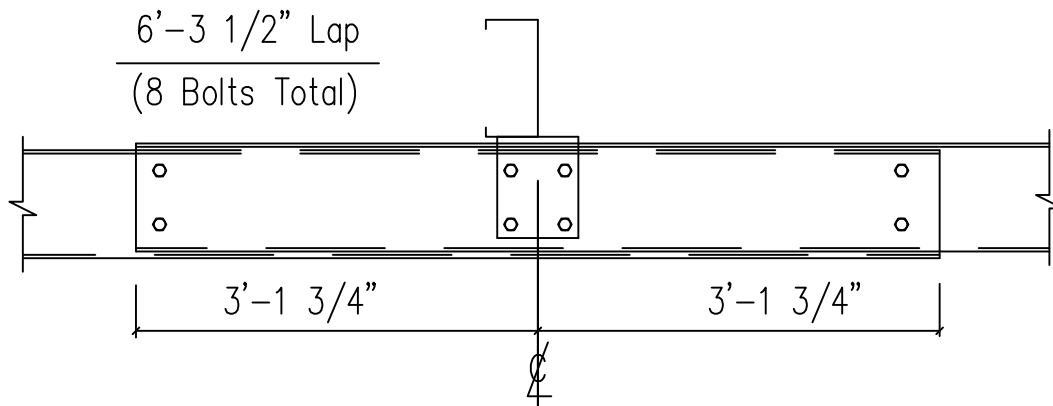
Flange Brace
(As Req'd)



0'-7 1/2" Lap
(4 Bolts Total)



4'-3 1/2" LAP
(6 BOLTS TOTAL)



6'-3 1/2" Lap
(8 Bolts Total)

Note: All connection bolts are 1/2" x 1 1/4" machine bolts unless noted.

"C" Endwall Column to By-Pass Girt

DRAWING NO.

SD53