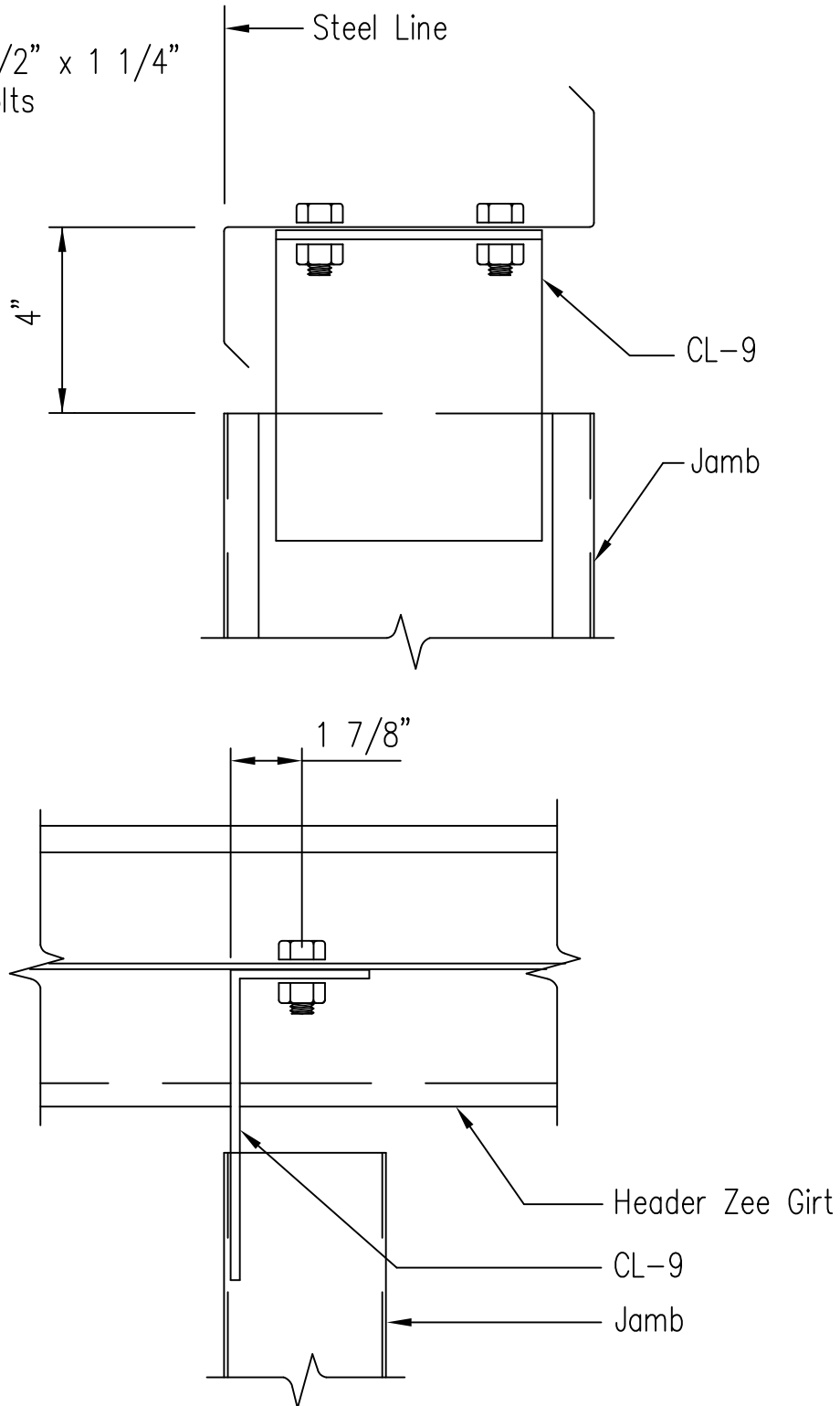


NOTE:
All Bolts are 1/2" x 1 1/4"
A307 Mach. Bolts



Jamb to Header Girt

DRAWING NO.

SD94