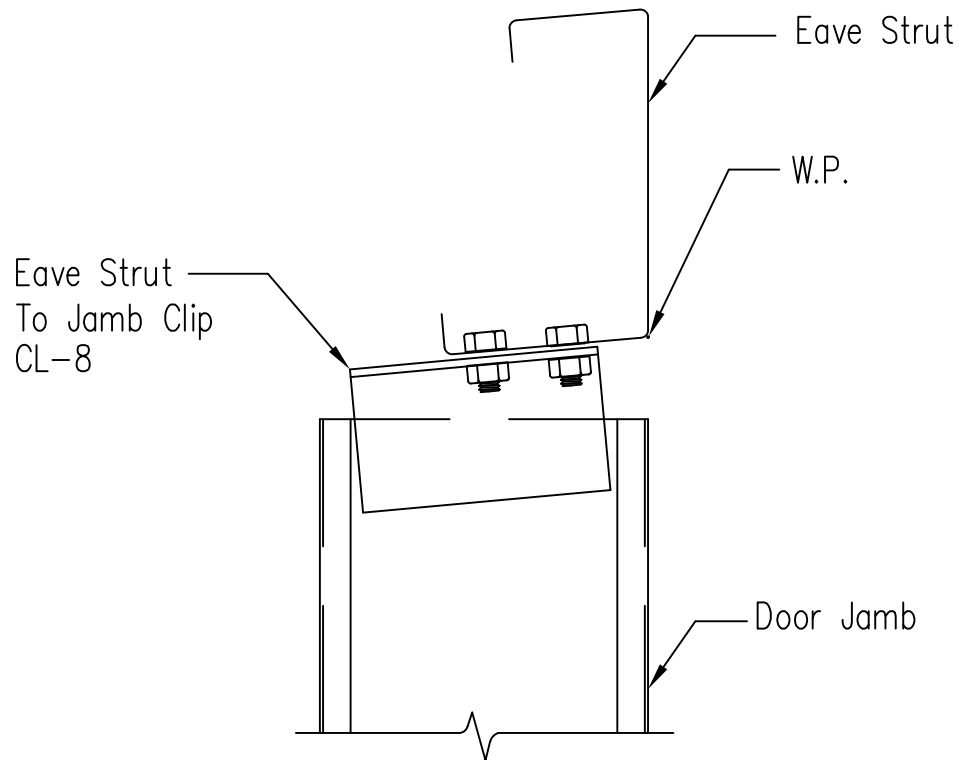


Eave Strut  
To Jamb Clip  
CL-8

NOTE:  
All Bolts are 1/2" x 1 1/4"  
A307 Mach. Bolts

Door Jamb

Low Eave Condition



Eave Strut

W.P.

Eave Strut  
To Jamb Clip  
CL-8

Door Jamb

High Eave Condition

Jamb To Eave Strut  
2:12 Roof Pitch and Higher

DRAWING NO.

SD97