

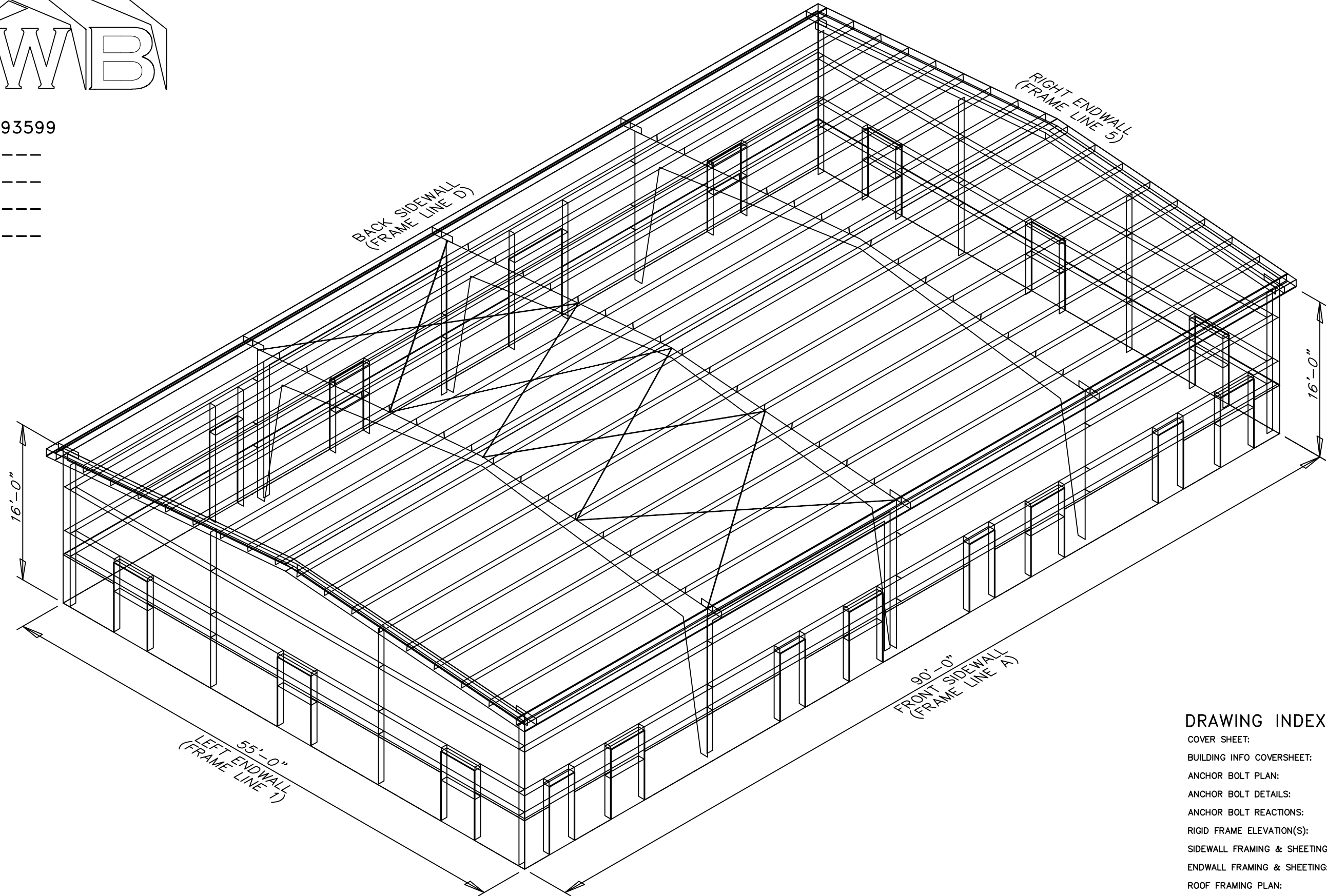
JOB NUMBER: 93599

PROJECT NAME: ---

PROJECT LOCATION: ---

PROJECT LOCATION: ---

PROJECT COUNTY: ---



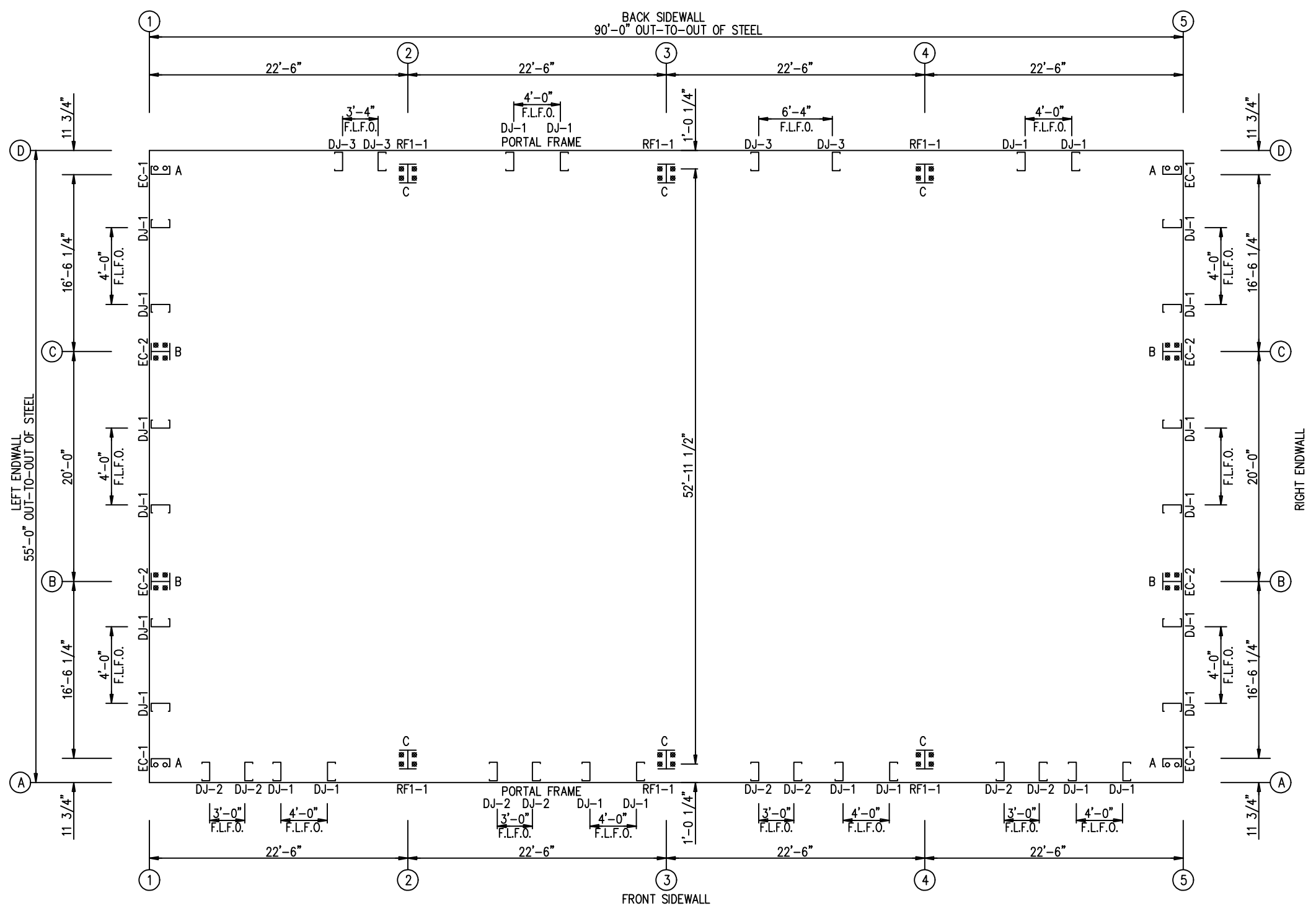
DRAWING INDEX

COVER SHEET:	1
BUILDING INFO COVERSHEET:	2
ANCHOR BOLT PLAN:	3
ANCHOR BOLT DETAILS:	4
ANCHOR BOLT REACTIONS:	5
RIGID FRAME ELEVATION(S):	6
SIDEWALL FRAMING & SHEETING:	7, 8
ENDWALL FRAMING & SHEETING:	9, 10
ROOF FRAMING PLAN:	11
ROOF SHEETING PLAN:	12
DETAIL DRAWINGS:	13, 14, 15, 16, 17

ANCHOR BOLT SUMMARY

QTY	LOCATE	DIA (in)	TYPE
⊗ 16	ENDWALL	3/4"	A307
○ 8	ENDWALL	5/8"	A307
⊗ 24	FRAME	3/4"	A307

DATE	DWN.	CHK.	ENG.
16/7/21	MEZ	MEZ	RTS
16/7/21	AA	CAF	RTS
10/23/23	OGR	OGR	RTS



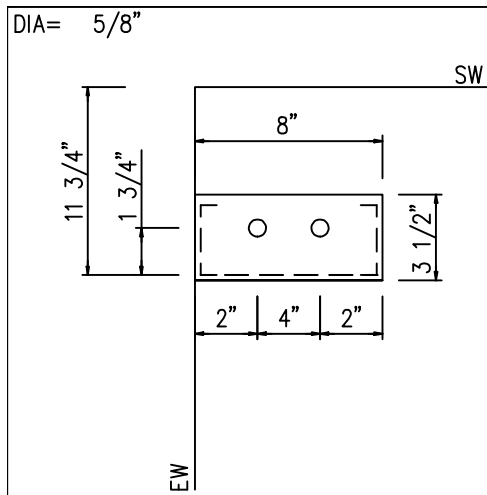
ANCHOR BOLT PLAN
 NOTE: ALL BASE PLATES @ 100'-0" (U.N.)
 F.L.F.O.= FIELD LOCATED FRAME OPENING



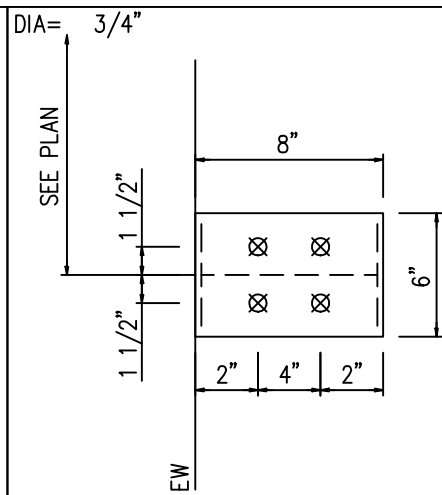
3033 S. PARKER RD 12 FLOOR
 AURORA, CO 80014
 PHONE: (800)-497-2135
 WWW.GREATWESTERNBUILDINGS.COM

CUSTOMER NAME:	
PROJECT NAME:	
PROJECT LOCATION:	
PROJECT COUNTY:	
PROJECT END USE:	
CUSTOMER PHONE NUMBER:	
CUSTOMER EMAIL:	
SCALE:	N.T.S.
SHEET NUMBER:	3 OF 17
JOB NUMBER:	93599
SHEET TITLE:	ANCHOR BOLT PLAN

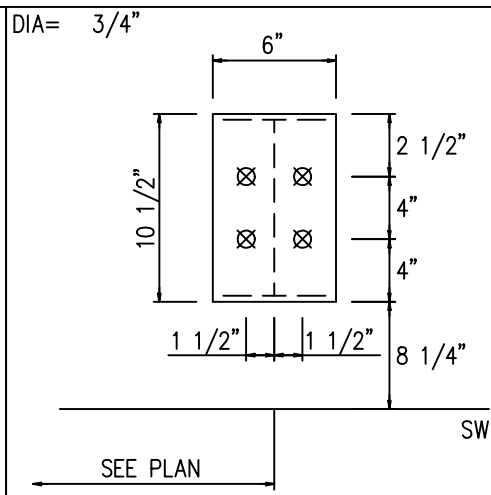
THIS SEAL PERTAINS ONLY TO THE MATERIALS DESIGNED AND SUPPLIED BY GREAT WESTERN BUILDINGS. THE DRAWINGS AND THE METAL BUILDING WHICH THEY REPRESENT ARE THE PRODUCT OF GREAT WESTERN BUILDINGS. THE REGISTERED PROFESSIONAL ENGINEER WHOSE SEAL AND SIGNATURE APPEARS ON THESE DRAWINGS IS EMPLOYED BY GREAT WESTERN BUILDINGS AND DOES NOT SERVE AS OR REPRESENT THE OVERALL PROJECT ENGINEER OF RECORD AND SHALL NOT BE CONSTRUED AS SUCH.



DETAIL A



DETAIL B



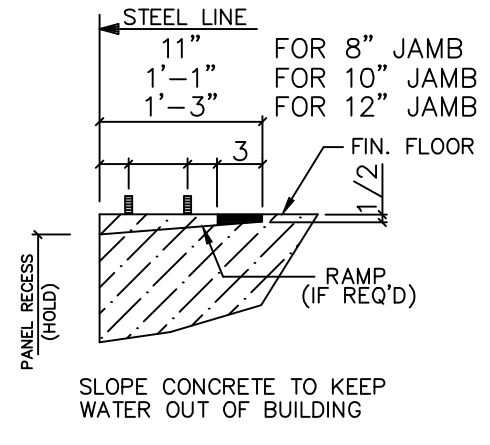
DETAIL C

NOTE:
MINOR FIELD WORK OF STRUCTURAL, SECONDARY AND PANEL/TRIM ITEMS MAY BE NECESSARY TO ENSURE PROPER FIT. SUCH WORK IS CONSIDERED A NORMAL PART OF METAL BUILDING ERECTION. G.W.B. WILL NOT HONOR BACKCHARGES FOR MINOR FIELD WORK.

ANCHOR BOLT DIAMETERS HAVE BEEN DESIGNED BY THE METAL BUILDING ENGINEER BASED ON AISC METHOD WITH COMBINED SHEAR AND TENSION.
DEVELOPMENT, EMBEDMENT AND HOOK LENGTH OF ANCHOR BOLTS IN THE CONCRETE ARE DESIGN RESPONSIBILITY OF OTHERS. ALSO DESIGN OF SHEAR ANGLES, TENSION PLATES, HAIRPINS, AND ANY OTHER EMBEDDED MATERIAL IN THE CONCRETE SHALL BE DESIGNED AND PROVIDED BY OTHERS.
NOTE: ANCHOR BOLT PROJECTION IS FROM BOTTOM OF BASE PLATE.

Anchor Bolt Diameter	Projection
1/2"	1 1/2"
5/8"	2"
3/4"	2 1/2"
7/8"	3 1/2"
1"	3 1/2"
1 1/8"	3 1/2"
1 1/4"	3 1/2"

CONCRETE NOTCH AND ANCHOR BOLT PROJECTION



CONCRETE DETAIL AT OVERHEAD DOOR

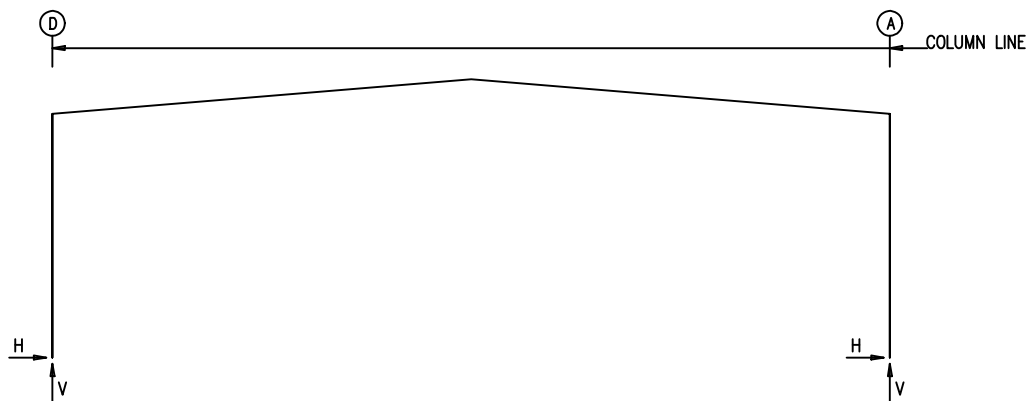
ISSUE	DATE	DWN.	CHK.	ENG.
APPROVAL	10/27/21	MEZ	MEZ	RTS
PERMIT	10/26/21	AA	CAF	RTS
ERECTION	10/23/21	OGR	OGR	RTS

3033 S. PARKER RD 12 FLOOR
AURORA, CO 80014
PHONE: (800)-497-2135
WWW.GREATWESTERNBUILDINGS.COM

CUSTOMER NAME:	
PROJECT NAME:	
PROJECT LOCATION:	
PROJECT COUNTY:	
PROJECT END USE:	
CUSTOMER PHONE NUMBER:	
CUSTOMER EMAIL:	
SCALE:	N.T.S.
SHEET NUMBER:	4 OF 17
JOB NUMBER:	93599
SHEET TITLE:	ANCHOR BOLT DETAILS

THIS SEAL PERTAINS ONLY TO THE MATERIALS DESIGNED AND SUPPLIED BY GREAT WESTERN BUILDINGS. THE DRAWINGS AND THE METAL BUILDING WHICH THEY REPRESENT ARE THE PRODUCT OF GREAT WESTERN BUILDINGS. THE REGISTERED PROFESSIONAL ENGINEER WHOSE SEAL AND SIGNATURE APPEARS ON THESE DRAWINGS IS EMPLOYED BY GREAT WESTERN BUILDINGS AND DOES NOT SERVE AS OR REPRESENT THE OVERALL PROJECT ENGINEER OF RECORD AND SHALL NOT BE CONSTRUED AS SUCH.

FRAME LINES: 2 3 4



RIGID FRAME: MAXIMUM REACTIONS, ANCHOR BOLTS, & BASE PLATES

Frm Line	Col Line	Column_Reactions(k)						Bolt(in) QTY	DIA	Base_Plate(in)			Grout (in)
		Load Id	Hmax H	V Vmax	Load Id	Hmin H	V Vmin			Width	Length	Thick	
2*	D	1	14.2	23.4	2	-6.4	-9.2	4	0.750	6.000	10.50	0.500	0.0
		4	-2.4	-10.2									
2*	A	3	6.4	-9.2	1	-14.2	23.4	4	0.750	6.000	10.50	0.500	0.0
		1	-14.2	23.4	5	2.4	-10.2						
2* FRAME lines: 2 3 4													

NOTES FOR REACTIONS

- Building reactions are based on the following building data:
- Width (ft) = 55.00
 - Length (ft) = 90.00
 - Eave Height (ft) = 16.00/16.00
 - Roof Slope (rise/12) = 1.0:12/1.0:12
 - Dead Load (psf) = 2.00
 - Collateral Load (psf) = 3.00
 - Live Load (psf) = 20.00
 - Snow Load (psf) = 30.00
 - Ultimate Wind Speed (mph) = 130.00
 - Wind Code = IBC-15
 - Exposure = C
 - Closed/Open = Enclosed
 - Importance Wind = 1.00
 - Importance Seismic = 1.00
 - Seismic Zone = B
 - Seismic Coeff (Fa*Ss) = 0.30

ID	Description
1	Dead+Collateral+Snow+Slide_Snow
2	0.6Dead+0.6Wind_Left1
3	0.6Dead+0.6Wind_Right1
4	0.6Dead+0.6Wind_Long1L
5	0.6Dead+0.6Wind_Long2L
6	0.6Dead+0.6Wind_Left1+0.6Wind_Suction
7	0.6Dead+0.6Wind_Pressure+0.6Wind_Long1L
8	Dead+Collateral+E1UNB_SL_L
9	0.6Dead+0.6Wind_Right1+0.6Wind_Suction
10	0.6Dead+0.6Wind_Pressure+0.6Wind_Long2L
11	Dead+Collateral+E1UNB_SL_R
12	Dead+Collateral+E2UNB_SL_L
13	Dead+Collateral+E2UNB_SL_R

BUILDING BRACING REACTIONS

Wall Loc	Col Line	± Reactions(k)				Panel_Shear (lb/ft)		Note
		Horz	Vert	Horz	Vert	Wind	Seis	
L_EW	1					53	10	
F_SW	A	2,3	2.9	3.8	0.7	0.9		(b)
R_EW	5					53	10	
B_SW	D	2,3	2.9	3.8	0.7	0.9		(b)

(b)Wind bent in bay, base above finish floor

Reactions for seismic represent shear force, Eh

RIGID FRAME: BASIC COLUMN REACTIONS (k)

FRAME Line	Column Line	Dead		Collateral		Live		Snow		Wind_Left1		Wind_Right1	
		Horiz	Vert	Horiz	Vert	Horiz	Vert	Horiz	Vert	Horiz	Vert	Horiz	Vert
2*	D	1.1	2.2	1.2	1.9	7.9	12.8	11.9	19.2	-11.7	-17.5	-4.5	-11.5
2*	A	-1.1	2.2	-1.2	1.9	-7.9	12.8	-11.9	19.2	4.5	-11.5	11.7	-17.5

FRAME Line	Column Line	Wind_Left2		Wind_Right2		Wind_Long1		Wind_Long2		Seismic_Left		Seismic_Right	
		Horiz	Vert	Horiz	Vert	Horiz	Vert	Horiz	Vert	Horiz	Vert	Horiz	Vert
2*	D	-9.3	-10.5	-2.0	-4.4	-5.1	-19.1	-5.6	-16.2	-0.3	-0.2	0.3	0.2
2*	A	2.0	-4.4	9.3	-10.5	5.6	-16.2	5.1	-19.1	-0.3	0.2	0.3	-0.2

FRAME Line	Column Line	Seismic_Long		MIN_SNOW		F1UNB_SL_L		F1UNB_SL_R	
		Horiz	Vert	Horiz	Vert	Horiz	Vert	Horiz	Vert
2*	D	0.0	-0.9	7.9	12.8	9.3	18.4	9.3	10.1
2*	A	0.0	-0.9	-7.9	12.8	-9.3	10.1	-9.3	18.4

2* FRAME lines: 2 3 4

ENDWALL COLUMN: BASIC COLUMN REACTIONS (k)

Frm Line	Col Line	Dead Vert	Collat Vert	Live Vert	Snow Vert	Wind Left1		Wind Right1		Wind Left2		Wind Right2		Wind Press Horz	Wind Suct Horz	Wind Long1 Vert	Wind Long2 Vert
						Vert	Vert	Vert	Vert	Vert	Vert	Vert	Vert				
1	D	0.3	0.3	2.0	3.0	-3.9	-2.0	-2.8	-0.9	-1.8	2.1	-3.4	-2.0				
1	C	0.9	0.8	5.1	7.6	-9.1	-5.7	-6.3	-2.9	-4.1	4.5	-8.9	-5.5				
1	B	0.9	0.8	5.1	7.6	-5.7	-9.1	-2.9	-6.3	-4.1	4.5	-5.5	-8.9				
1	A	0.3	0.3	2.0	3.0	-2.0	-3.9	-0.9	-2.8	-1.8	2.1	-2.0	-3.4				

Frm Line	Col Line	Seis Left Vert	Seis Right Vert	Seis Long Vert	-MIN_SNOW-		E1UNB_SL_L		E1UNB_SL_R	
					Horz	Vert	Horz	Vert	Horz	Vert
1	D	0.0	0.0	0.0	0.0	2.0	0.0	3.1	0.0	0.8
1	C	0.0	0.0	0.0	0.0	5.1	0.0	8.9	0.0	2.9
1	B	0.0	0.0	0.0	0.0	5.1	0.0	2.9	0.0	8.9
1	A	0.0	0.0	0.0	0.0	2.0	0.0	0.8	0.0	3.1

Frm Line	Col Line	Dead Vert	Collat Vert	Live Vert	Snow Vert	Wind Left1		Wind Right1		Wind Left2		Wind Right2		Wind Press Horz	Wind Suct Horz	Wind Long1 Vert	Wind Long2 Vert
						Vert	Vert	Vert	Vert	Vert	Vert	Vert	Vert				
5	A	0.3	0.3	2.0	3.0	-3.9	-2.0	-2.8	-0.9	-1.8	2.1	-3.4	-2.0				
5	B	0.9	0.8	5.1	7.6	-9.1	-5.7	-6.3	-2.9	-4.1	4.5	-8.9	-5.5				
5	C	0.9	0.8	5.1	7.6	-5.7	-9.1	-2.9	-6.3	-4.1	4.5	-5.5	-8.9				
5	D	0.3	0.3	2.0	3.0	-2.0	-3.9	-0.9	-2.8	-1.8	2.1	-2.0	-3.4				

Frm Line	Col Line	Seis Left Vert	Seis Right Vert	Seis Long Vert	-MIN_SNOW-		E2UNB_SL_L		E2UNB_SL_R	
					Horz	Vert	Horz	Vert	Horz	Vert
5	A	0.0	0.0	0.0	0.0	2.0	0.0	3.1	0.0	0.8
5	B	0.0	0.0	0.0	0.0	5.1	0.0	8.9	0.0	2.9
5	C	0.0	0.0	0.0	0.0	5.1	0.0	2.9	0.0	8.9
5	D	0.0	0.0	0.0	0.0	2.0	0.0	0.8	0.0	3.1

ENDWALL COLUMN: MAXIMUM REACTIONS, ANCHOR BOLTS, & BASE PLATES

Frm Line	Col Line	Column_Reactions(k)						Bolt(in) QTY	DIA	Base_Plate(in)			Grout (in)
		Load Id	Hmax H	V Vmax	Load Id	Hmin H	V Vmin			Width	Length	Thick	
1	D	6	1.3	-2.1	7	-1.1	-1.9	2	0.625	3.500	8.000	0.250	0.0
		8	0.0	3.7	6	1.3	-2.1						
1	C	6	2.7	-4.9	7	-2.5	-4.8	4	0.750	6.000	8.000	0.375	0.0
		8	0.0	10.6	6	2.7	-4.9						
1	B	9	2.7	-4.9	10	-2.5	-4.8	4	0.750	6.000	8.000	0.375	0.0
		11	0.0	10.6	9	2.7	-4.9						
1	A	9	1.3	-2.1	10	-1.1	-1.9	2	0.625	3.500	8.000	0.250	0.0
		11	0.0	3.7	9	1.3	-2.1						
5	A	6	1.3	-2.1	7	-1.1	-1.9	2	0.625	3.500	8.000	0.250	0.0
		12	0.0	3.7	6	1.3	-2.1						
5	B	6	2.7	-4.9	7	-2.5	-4.8	4	0.750	6.000	8.000	0.375	0.0
		12	0.0	10.6	6	2.7	-4.9						
5	C	9	2.7	-4.9	10	-2.5	-4.8	4	0.750	6.000	8.000	0.375	0.0
		13	0.0	10.6	9	2.7	-4.9						
5	D	9	1.3	-2.1	10	-1.1	-1.9	2	0.625	3.500	8.000	0.250	0.0
		13	0.0	3.7	9	1.3	-2.1						

ANCHOR BOLT SUMMARY

QTY	LOCATE	DIA (in)	TYPE
16	ENDWALL	3/4"	A307
8	ENDWALL	5/8"	A307
24	FRAME	3/4"	A307

DATE	ISSUE	APPROVAL	PERMIT	ERECTION	DATE	CHK.	ENG.	RIS	RIS	RIS	RIS	RIS	RIS	RIS	RIS	RIS	RIS	
																		16/7/21

3033 S. PARKER RD 12 FLOOR
AURORA, CO 80014
PHONE: (800)-497-2135
WWW.GREATWESTERNBUILDINGS.COM

CUSTOMER NAME:	PROJECT NAME:	PROJECT LOCATION:	PROJECT COUNTY:	PROJECT END USE:	CUSTOMER PHONE NUMBER:	CUSTOMER EMAIL:	SCALE:	SHEET NUMBER:	JOB NUMBER:	SHEET TITLE:
							N.T.S.	5 OF 17	93599	ANCHOR BOLT REACTIONS

THIS SEAL PERTAINS ONLY TO THE MATERIALS DESIGNED AND SUPPLIED BY GREAT WESTERN BUILDINGS. THE DRAWINGS AND THE METAL BUILDING WHICH THEY REPRESENT ARE THE PRODUCT OF GREAT WESTERN BUILDINGS. THE REGISTERED PROFESSIONAL ENGINEER WHOSE SEAL AND SIGNATURE APPEARS ON THESE DRAWINGS IS EMPLOYED BY GREAT WESTERN BUILDINGS AND DOES NOT SERVE AS OR REPRESENT THE OVERALL PROJECT ENGINEER OF RECORD AND SHALL NOT BE CONSTRUED AS SUCH.

SPLICE BOLT TABLE						
Mark	Qty		Int	Type	Dia	Length
	Top	Bot				
SP-1	4	4	4	A325	3/4"	2 1/4"
SP-2	4	4	0	A325	5/8"	2"

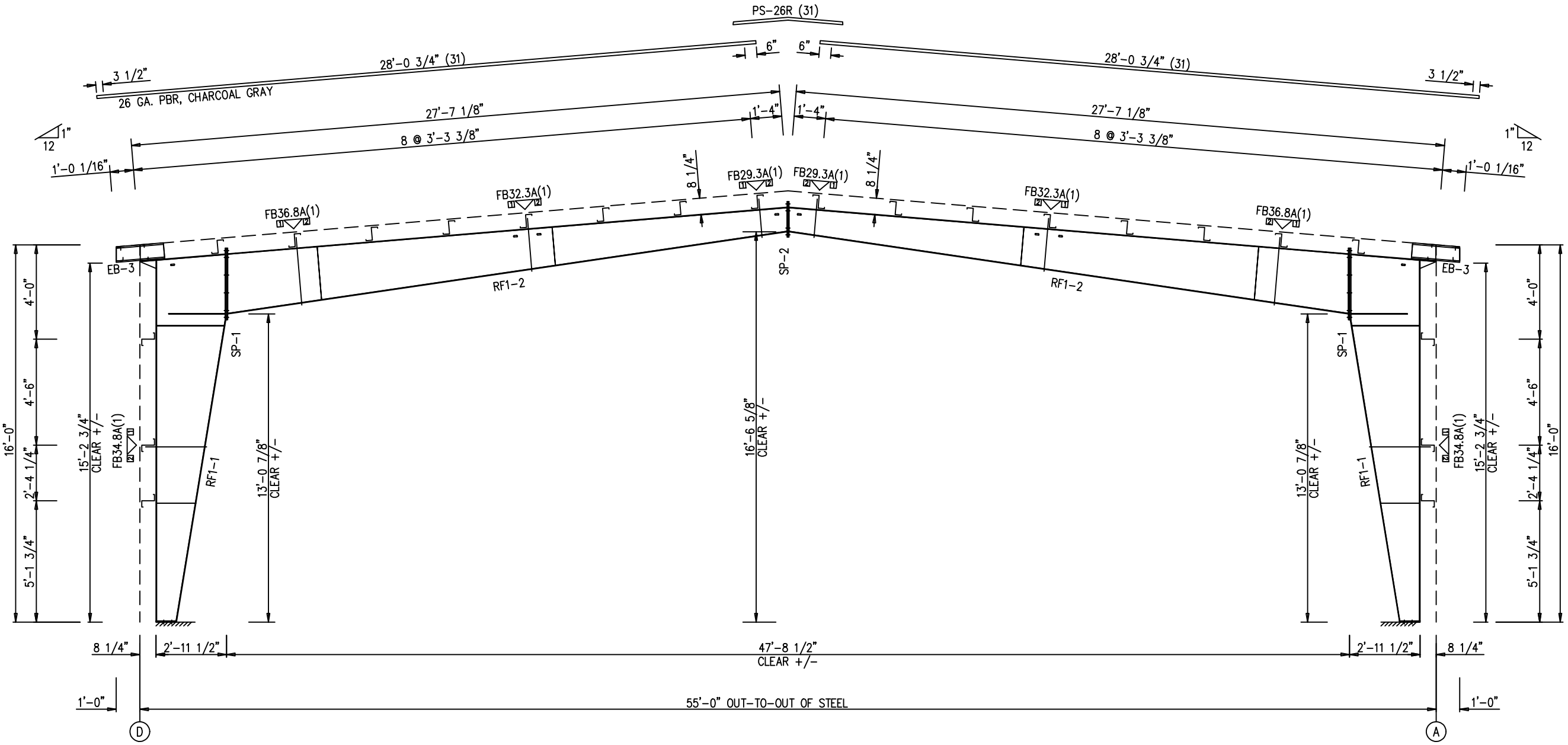
▽ FLANGE BRACES: FBxx (1 or 2)
 xx=length(in)
 (1) One Side; (2) Two Sides
 A - 2X2X14Ga

MEMBER TABLE					
Mark	Web Depth		Web Plate		Outside Flange W x Thk x Length
	Start	End	Thick	Length	
RF1-1	10.0	19.8	0.164	5'-0"	5 x 1/4" x 15'-3 11/16" 5 x 1/4" x 3'-7 5/8"
	19.8	34.5	0.188	7'-6 5/16"	
	34.5	35.0	0.250	3'-0 1/4"	
RF1-2	30.0	27.0	0.250	4'-0 1/4"	5 x 1/4" x 23'-9 11/16"
	27.0	19.5	0.188	10'-0"	
	19.5	12.0	0.135	10'-0"	

MEMBER SIZE TABLE		
Mark	Part	Length
EB-3	W8X10	2'-0 3/4"

CONNECTION PLATES	
ID	Mark/Part
1	CL-86
2	CL-85

DATE	ISSUE	CHK.	ENG.
10/23/23	ERECTOR	MEZ	RTS
10/23/23	PERMIT	CAF	RTS
10/23/23	APPROVAL	MEZ	RTS

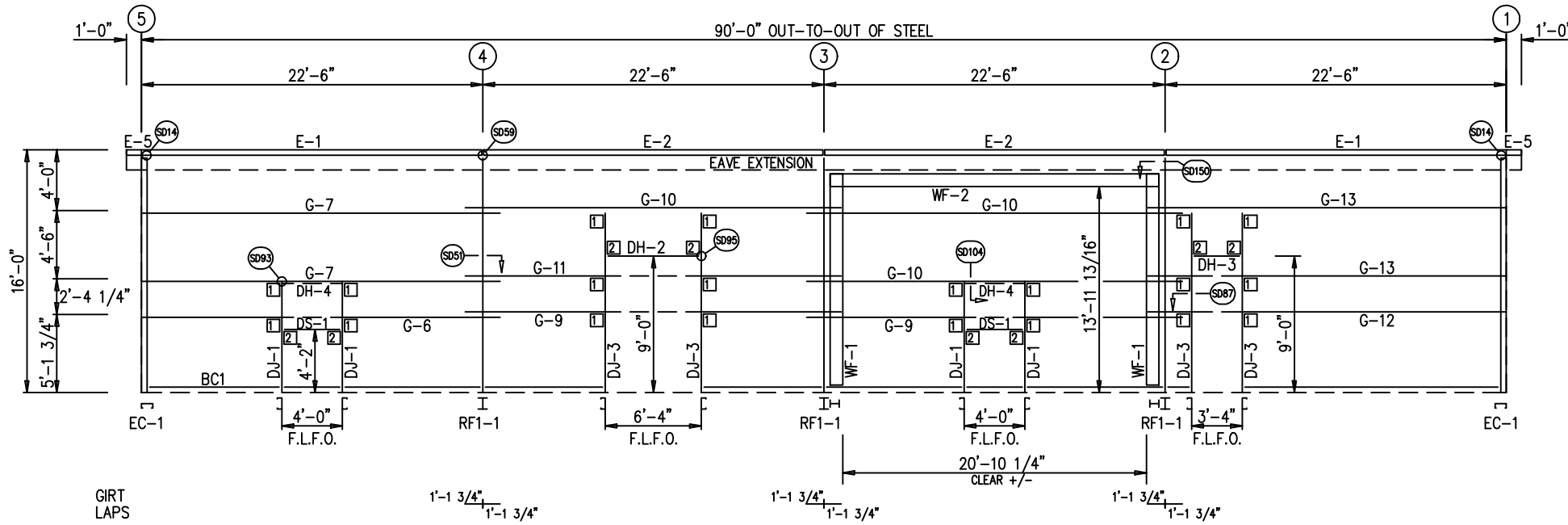


RIGID FRAME ELEVATION: FRAME LINES 2 3 4

3033 S. PARKER RD 12 FLOOR
 AURORA, CO 80014
 PHONE: (800)-497-2135
 WWW.GREATWESTERNBUILDINGS.COM

CUSTOMER NAME:	N.T.S.
PROJECT NAME:	
PROJECT LOCATION:	
PROJECT COUNTY:	
PROJECT END USE:	
CUSTOMER PHONE NUMBER:	
CUSTOMER EMAIL:	
SHEET NUMBER:	6 OF 17
JOB NUMBER:	93599
SHEET TITLE:	RIGID FRAME ELEVATION

THIS SEAL PERTAINS ONLY TO THE MATERIALS DESIGNED AND SUPPLIED BY GREAT WESTERN BUILDINGS. THE DRAWINGS AND THE METAL BUILDING WHICH THEY REPRESENT ARE THE PRODUCT OF GREAT WESTERN BUILDINGS. THE REGISTERED PROFESSIONAL ENGINEER WHOSE SEAL AND SIGNATURE APPEARS ON THESE DRAWINGS IS EMPLOYED BY GREAT WESTERN BUILDINGS AND DOES NOT SERVE AS OR REPRESENT THE OVERALL PROJECT ENGINEER OF RECORD AND SHALL NOT BE CONSTRUED AS SUCH.



SIDEWALL FRAMING: FRAME LINE D
NOTE: F.L.F.O. = FIELD LOCATED FRAME OPENING

TRIM TABLE
FRAME LINE D

ID	QUAN	PART	LENGTH	DETAIL
1	2	FL-10	16'-0"	TD40
2	9	FL-60	10'-2"	TD75
3	4	FL-48	3'-4"	TD51
4	2	FL-52	4'-4"	TD52
5	4	FL-48	9'-2"	TD51
6	1	FL-52	6'-8"	TD52
7	1	FL-52	3'-8"	TD52
8	9	FL-237	10'-2"	TD199
9	2	FL-50	4'-4"	TD52

BOLT TABLE
FRAME LINE D

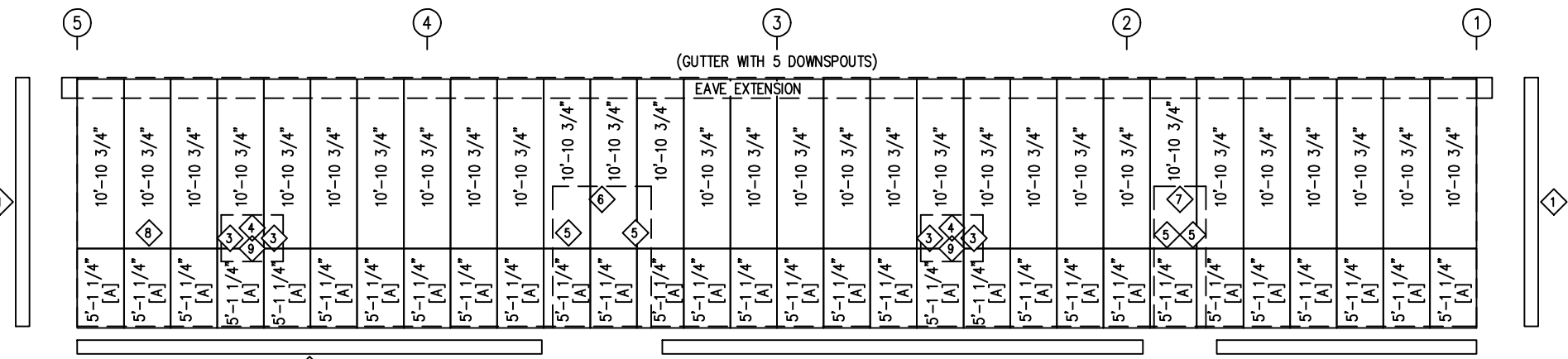
LOCATION	QUAN	TYPE	DIA	LENGTH
WF-1 - WF-2	8	A325	5/8"	1 3/4"
WF-1 - RF1-1	8	A325	5/8"	1 1/2"

MEMBER TABLE
FRAME LINE D

QUAN	MARK	PART	LENGTH
2	WF-1	W10X12	14'-4"
1	WF-2	W10X22	20'-9 7/16"
4	DJ-1	8x25C16	7'-2"
4	DJ-3	8x25C16	11'-8"
1	DH-2	8x25C16	6'-3 1/2"
1	DH-3	8x25C16	3'-3 1/2"
2	DH-4	GH-1	4'-0"
2	DS-1	8x25C16	3'-11 1/2"
2	E-1	L08E16-1	21'-5 13/16"
2	E-2	L08E16-1	21'-9 13/16"
2	E-5	L08E16-1	11 11/16"
1	G-6	8X35Z16	23'-7 1/2"
2	G-7	8X25Z14	23'-7 1/2"
2	G-9	8X35Z16	24'-9 1/2"
3	G-10	8X25Z14	24'-9 1/2"
1	G-11	8X25Z16	24'-9 1/2"
1	G-12	8X35Z16	23'-7 1/2"
2	G-13	8X25Z14	23'-7 1/2"

CONNECTION PLATES
FRAME LINE D

ID	QUAN	MARK
1	20	CL-103
2	8	CL-100



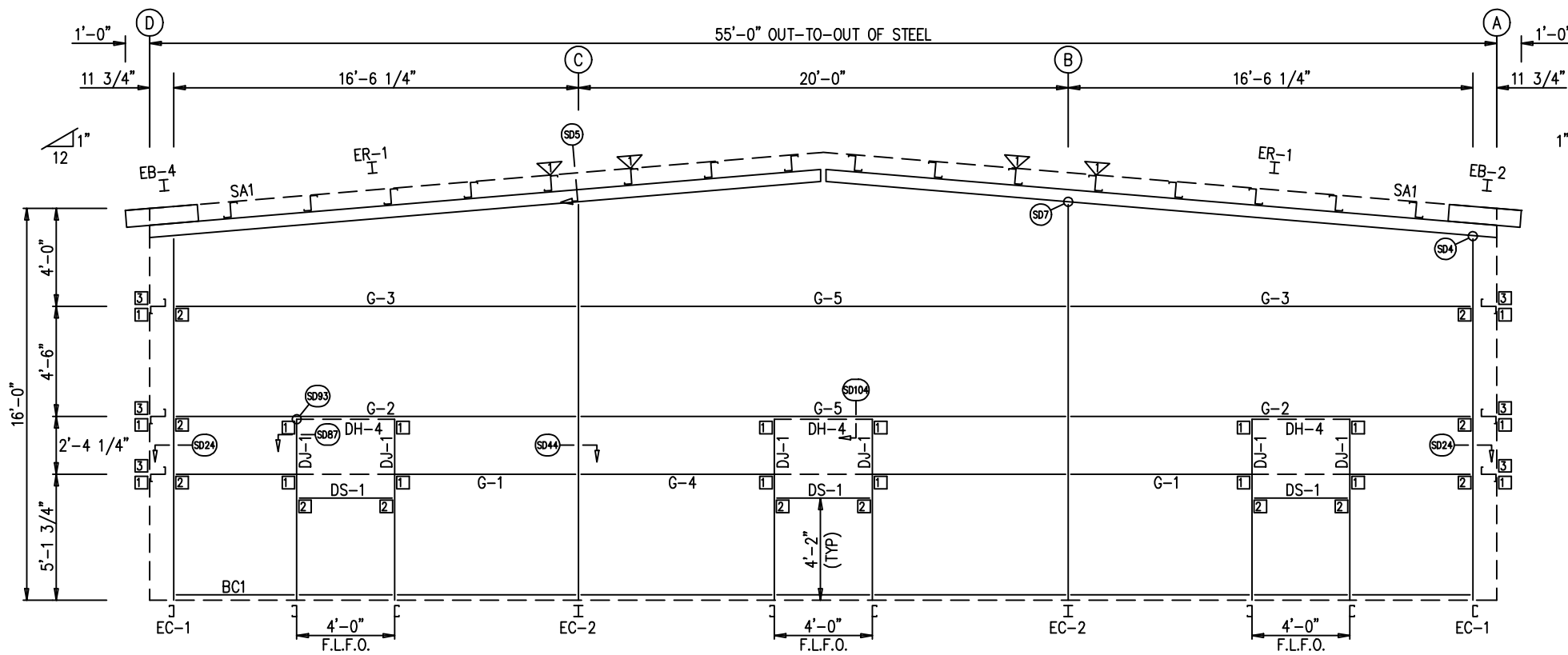
SIDEWALL SHEETING & TRIM: FRAME LINE D
PANELS: 26 GA. PBR - ASH GRAY
[A] PANELS: 26 GA. PBR - CHARCOAL GRAY

ISSUE	DATE	CHK.	ENG.
APPROVAL	10/27/23	MEZ	RTS
PERMIT	10/26/23	AA	CAF
ERECTION	10/23/23	OGR	RTS

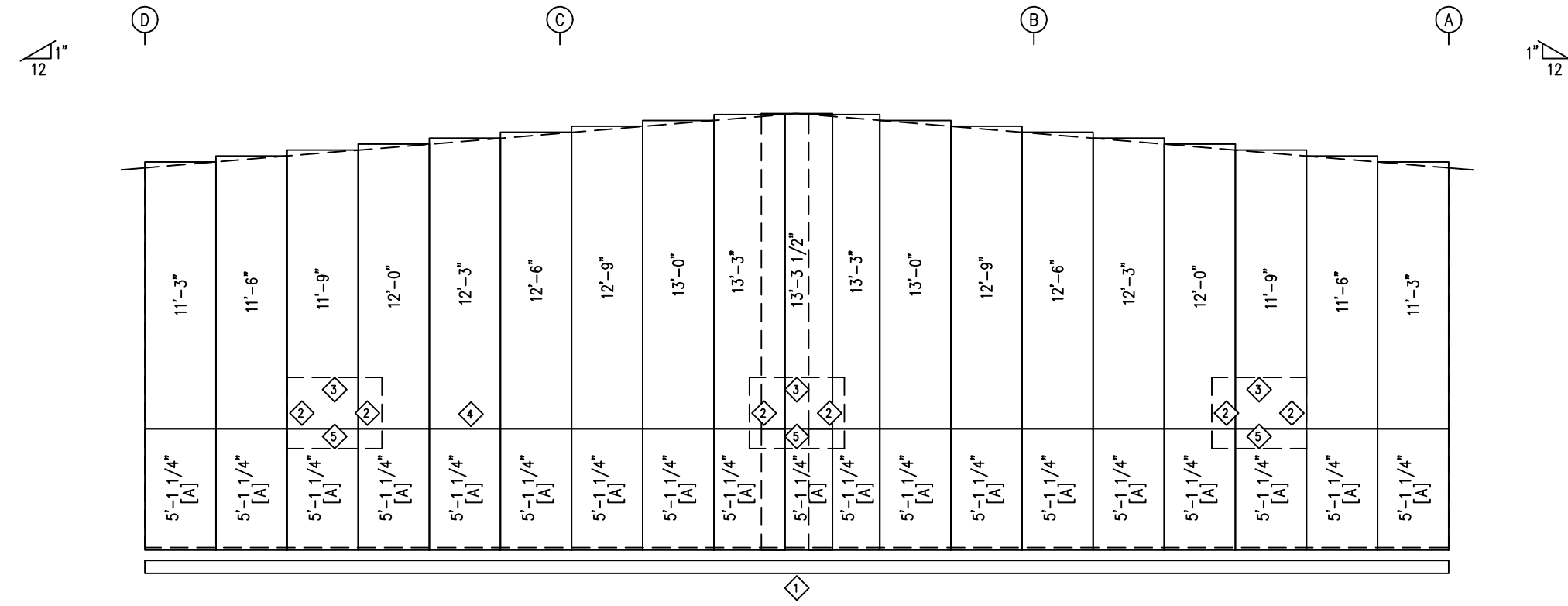
3033 S. PARKER RD 12 FLOOR
AURORA, CO 80014
PHONE: (800)-497-2135
WWW.GREATWESTERNBUILDINGS.COM

CUSTOMER NAME:	
PROJECT LOCATION:	
PROJECT COUNTY:	
PROJECT END USE:	
CUSTOMER PHONE NUMBER:	
CUSTOMER EMAIL:	
SCALE:	N.T.S.
SHEET NUMBER:	8 OF 17
JOB NUMBER:	93599
SHEET TITLE:	SIDEWALL FRAMING & SHEETING

THIS SEAL PERTAINS ONLY TO THE MATERIALS DESIGNED AND SUPPLIED BY GREAT WESTERN BUILDINGS. THE DRAWINGS AND THE METAL BUILDING WHICH THEY REPRESENT ARE THE PRODUCT OF GREAT WESTERN BUILDINGS. THE REGISTERED PROFESSIONAL ENGINEER WHOSE SEAL AND SIGNATURE APPEARS ON THESE DRAWINGS IS EMPLOYED BY GREAT WESTERN BUILDINGS AND DOES NOT SERVE AS OR REPRESENT THE OVERALL PROJECT ENGINEER OF RECORD AND SHALL NOT BE CONSTRUED AS SUCH.



ENDWALL FRAMING: FRAME LINE 1
NOTE: F.L.F.O. = FIELD LOCATED FRAME OPENING



ENDWALL SHEETING & TRIM: FRAME LINE 1
PANELS: 26 GA. PBR - ASH GRAY
[A] PANELS: 26 GA. PBR - CHARCOAL GRAY

TRIM TABLE
FRAME LINE 1

ID	QUAN	PART	LENGTH	DETAIL
1	6	FL-60	10'-2"	TD75
2	6	FL-48	3'-4"	TD51
3	3	FL-52	4'-4"	TD52
4	6	FL-237	10'-2"	TD199
5	3	FL-50	4'-4"	TD52

BOLT TABLE
FRAME LINE 1

LOCATION	QUAN	TYPE	DIA	LENGTH
ER-1/ER-1	8	A325	5/8"	1 1/2"
COLUMNS/RAFTER	2	A325	5/8"	1 1/2"

MEMBER TABLE
FRAME LINE 1

QUAN	MARK	PART	LENGTH
1	EB-2	W8X10	2'-0 3/4"
1	EB-4	W8X10	2'-0 3/4"
2	EC-1	8x25C14	14'-8 1/16"
2	EC-2	W8X10	16'-0 9/16"
2	ER-1	W8X10	27'-6 7/8"
6	DJ-1	8x25C16	7'-2"
3	DH-4	GH-1	4'-0"
3	DS-1	8x25C16	3'-11 1/2"
2	G-1	8X35Z16	16'-1 15/16"
2	G-2	8X25Z14	16'-1 15/16"
2	G-3	8X25Z16	16'-1 15/16"
1	G-4	8X35Z16	19'-3 13/16"
2	G-5	8X25Z12	19'-3 13/16"

CONNECTION PLATES
FRAME LINE 1

ID	QUAN	MARK
1	18	CL-103
2	12	CL-100
3	6	CL-5

FLANGE BRACE TABLE
FRAME LINE 1

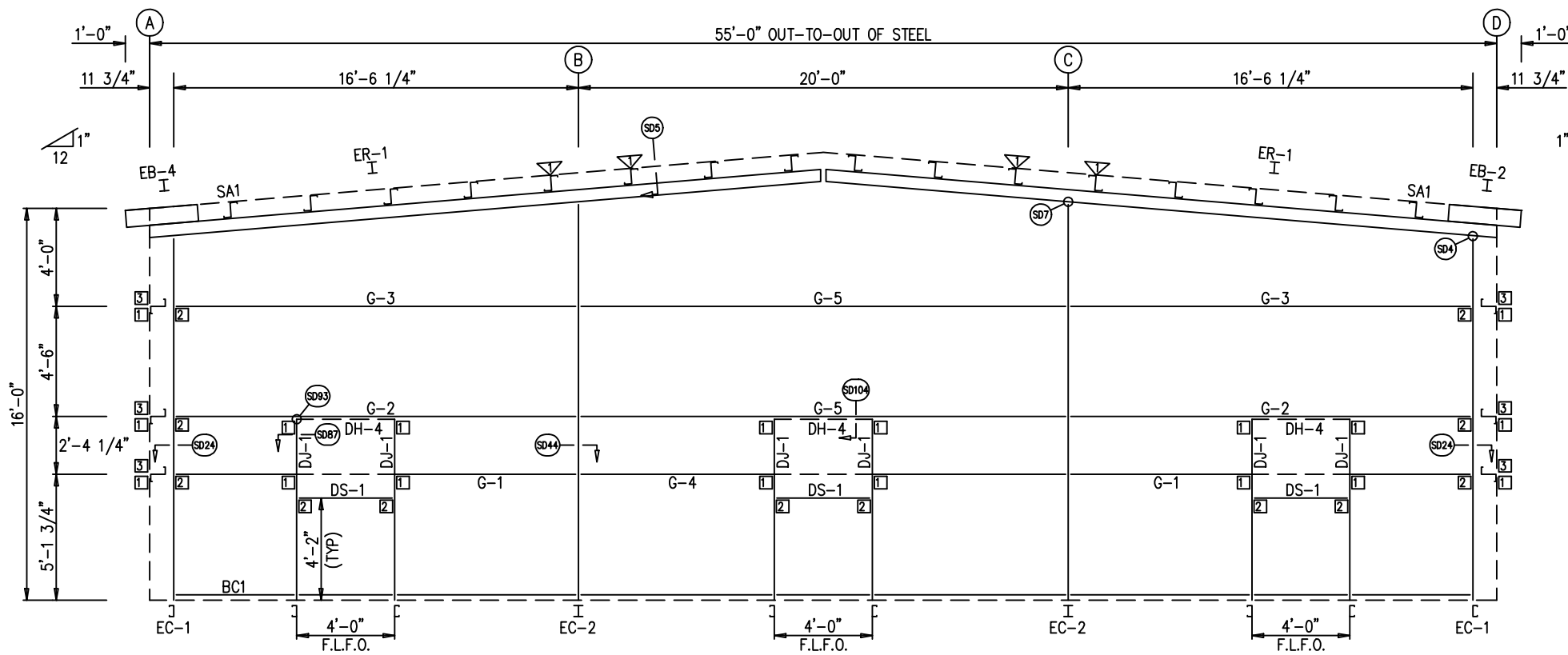
ID	QUAN	MARK
1	4	FB28.3

DATE	DWN.	CHK.	ENG.
10/23/23			
10/23/23			
10/23/23			

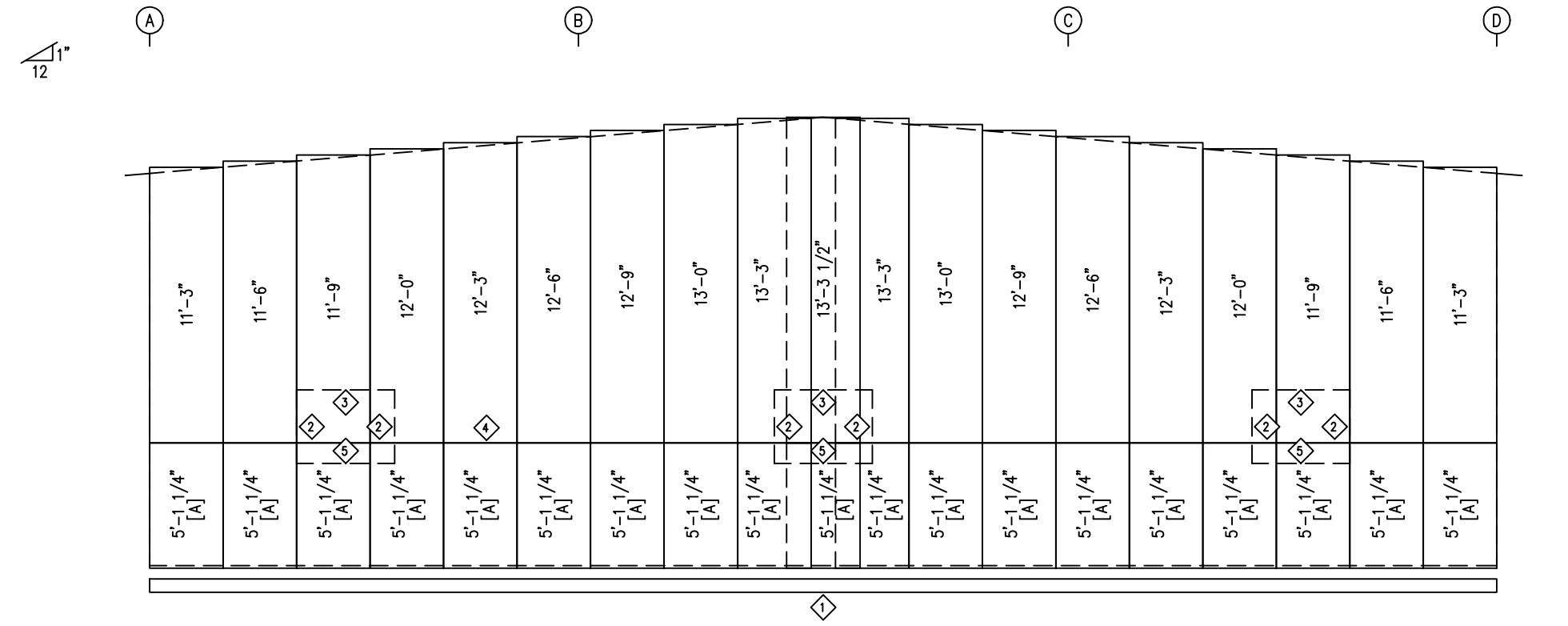
3033 S. PARKER RD 12 FLOOR
AURORA, CO 80014
PHONE: (800)-497-2135
WWW.GREATWESTERNBUILDINGS.COM

CUSTOMER NAME:	
PROJECT NAME:	
PROJECT LOCATION:	
PROJECT COUNTY:	
PROJECT END USE:	
CUSTOMER PHONE NUMBER:	
CUSTOMER EMAIL:	
SCALE:	N.T.S.
SHEET NUMBER:	9 OF 17
JOB NUMBER:	93599
SHEET TITLE:	ENDWALL FRAMING & SHEETING

THIS SEAL PERTAINS ONLY TO THE MATERIALS DESIGNED AND SUPPLIED BY GREAT WESTERN BUILDINGS. THE DRAWINGS AND THE METAL BUILDING WHICH THEY REPRESENT ARE THE PRODUCT OF GREAT WESTERN BUILDINGS. THE REGISTERED PROFESSIONAL ENGINEER WHOSE SEAL AND SIGNATURE APPEARS ON THESE DRAWINGS IS EMPLOYED BY GREAT WESTERN BUILDINGS AND DOES NOT SERVE AS OR REPRESENT THE OVERALL PROJECT ENGINEER OF RECORD AND SHALL NOT BE CONSTRUED AS SUCH.



ENDWALL FRAMING: FRAME LINE 5
NOTE: F.L.F.O. = FIELD LOCATED FRAME OPENING



ENDWALL SHEETING & TRIM: FRAME LINE 5
PANELS: 26 GA. PBR - ASH GRAY
[A] PANELS: 26 GA. PBR - CHARCOAL GRAY

TRIM TABLE
FRAME LINE 5

ID	QUAN	PART	LENGTH	DETAIL
1	6	FL-60	10'-2"	TD75
2	6	FL-48	3'-4"	TD51
3	3	FL-52	4'-4"	TD52
4	6	FL-237	10'-2"	TD199
5	3	FL-50	4'-4"	TD52

BOLT TABLE
FRAME LINE 5

LOCATION	QUAN	TYPE	DIA	LENGTH
ER-1/ER-1	8	A325	5/8"	1 1/2"
COLUMNS/RAFTER	2	A325	5/8"	1 1/2"

MEMBER TABLE
FRAME LINE 5

QUAN	MARK	PART	LENGTH
1	EB-2	W8X10	2'-0 3/4"
1	EB-4	W8X10	2'-0 3/4"
2	EC-1	8x25C14	14'-8 1/16"
2	EC-2	W8X10	16'-0 9/16"
2	ER-1	W8X10	27'-6 7/8"
6	DJ-1	8x25C16	7'-2"
3	DH-4	GH-1	4'-0"
3	DS-1	8x25C16	3'-11 1/2"
2	G-1	8X35Z16	16'-1 15/16"
2	G-2	8X25Z14	16'-1 15/16"
2	G-3	8X25Z16	16'-1 15/16"
1	G-4	8X35Z16	19'-3 13/16"
2	G-5	8X25Z12	19'-3 13/16"

CONNECTION PLATES
FRAME LINE 5

ID	QUAN	MARK
1	18	CL-103
2	12	CL-100
3	6	CL-5

FLANGE BRACE TABLE
FRAME LINE 5

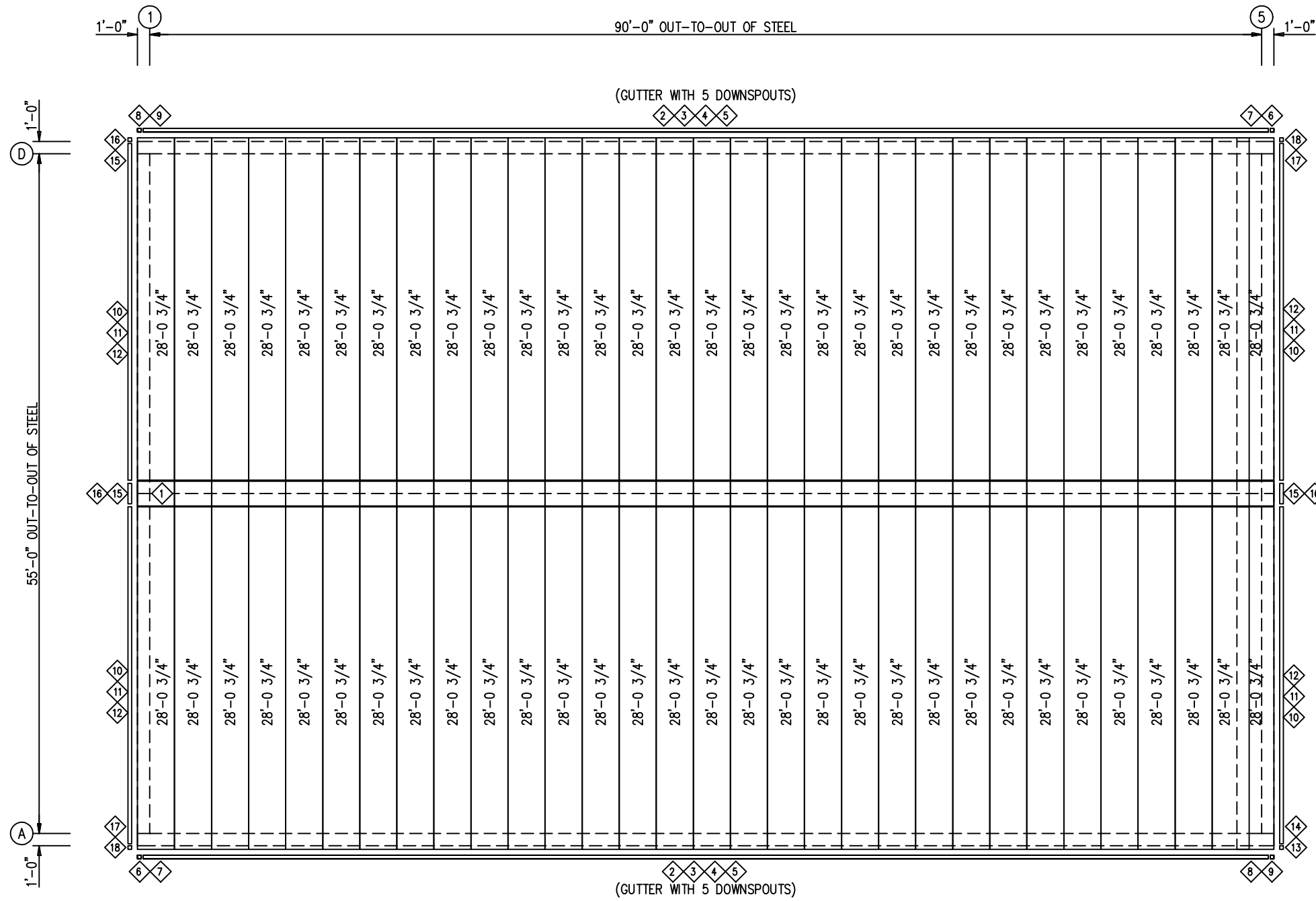
ID	QUAN	MARK
1	4	FB28.3

DATE	DWN.	CHK.	ENG.
10/23/23			
10/23/23			
10/23/23			

3033 S. PARKER RD 12 FLOOR
AURORA, CO 80014
PHONE: (800)-497-2135
WWW.GREATWESTERNBUILDINGS.COM

CUSTOMER NAME:	
PROJECT NAME:	
PROJECT LOCATION:	
PROJECT COUNTY:	
PROJECT END USE:	
CUSTOMER PHONE NUMBER:	
CUSTOMER EMAIL:	
SCALE:	N.T.S.
SHEET NUMBER:	10 OF 17
JOB NUMBER:	93599
SHEET TITLE:	ENDWALL FRAMING & SHEETING

THIS SEAL PERTAINS ONLY TO THE MATERIALS DESIGNED AND SUPPLIED BY GREAT WESTERN BUILDINGS. THE DRAWINGS AND THE METAL BUILDING WHICH THEY REPRESENT ARE THE PRODUCT OF GREAT WESTERN BUILDINGS. THE REGISTERED PROFESSIONAL ENGINEER WHOSE SEAL AND SIGNATURE APPEARS ON THESE DRAWINGS IS EMPLOYED BY GREAT WESTERN BUILDINGS AND DOES NOT SERVE AS OR REPRESENT THE OVERALL PROJECT ENGINEER OF RECORD AND SHALL NOT BE CONSTRUED AS SUCH.



ROOF SHEETING PLAN
 PANELS: 26 GA. PBR - CHARCOAL GRAY

TRIM TABLE				
ROOF PLAN				
◇ID	QUAN	PART	LENGTH	DETAIL
1	31	PS-26R	3'-0"	TD8
2	16	FL-501	11'-9"	TD20
3	16	FL-502	11'-6"	TD20
4	12	FL-32	12'-2"	TD20
5	16	FL-31	11'-8"	TD20
6	2	FL-32L	11'-2"	TD13
7	2	FL-33L	8"	TD85
8	2	FL-32R	11'-2"	TD13
9	2	FL-33R	8"	TD85
10	12	FL-503	9'-9"	TD24
11	12	FL-504	9'-5"	TD24
12	8	FL-21	9'-5"	TD24
13	2	FL-21L	11'-2"	TD13
14	2	FL-328L	9"	TD85
15	2	FL-88	1'-2"	TD72
16	2	FL-23	1'-4"	
17	2	FL-21R	11'-2"	TD13
18	2	FL-328R	9"	TD85

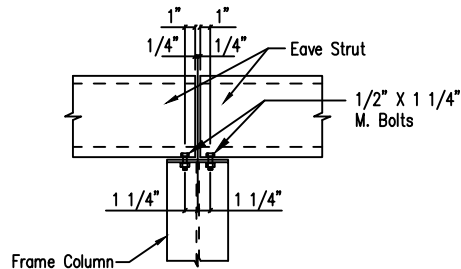
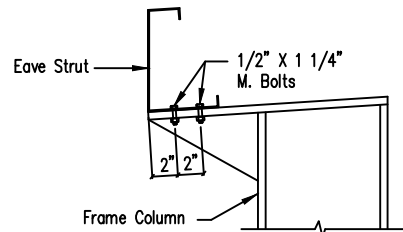
ISSUE	DATE	DWN.	CHK.	ENG.
APPROVAL	16/7/21	MEZ	MEZ	RTS
PERMIT	16/7/21	AA	CAF	RTS
ERECTION	10/23/23	OGR	OGR	RTS



3033 S. PARKER RD 12 FLOOR
 AURORA, CO 80014
 PHONE: (800)-497-2135
 WWW.GREATWESTERNBUILDINGS.COM

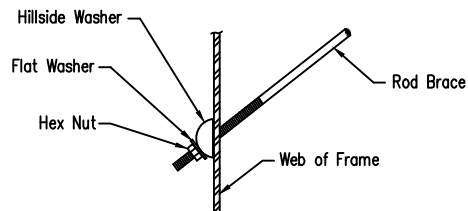
CUSTOMER NAME:	
PROJECT NAME:	
PROJECT LOCATION:	
PROJECT COUNTY:	
PROJECT END USE:	
CUSTOMER PHONE NUMBER:	
CUSTOMER EMAIL:	
SCALE:	N.T.S.
SHEET NUMBER:	12 OF 17
JOB NUMBER:	93599
SHEET TITLE:	ROOF SHEETING PLAN

THIS SEAL PERTAINS ONLY TO THE MATERIALS DESIGNED AND SUPPLIED BY GREAT WESTERN BUILDINGS. THE DRAWINGS AND THE METAL BUILDING WHICH THEY REPRESENT ARE THE PRODUCT OF GREAT WESTERN BUILDINGS. THE REGISTERED PROFESSIONAL ENGINEER WHOSE SEAL AND SIGNATURE APPEARS ON THESE DRAWINGS IS EMPLOYED BY GREAT WESTERN BUILDINGS AND DOES NOT SERVE AS OR REPRESENT THE OVERALL PROJECT ENGINEER OF RECORD AND SHALL NOT BE CONSTRUED AS SUCH.

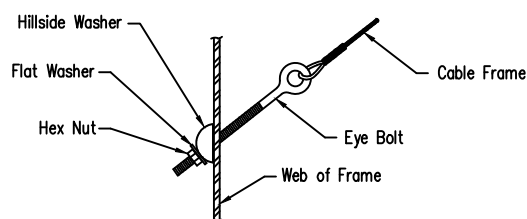


Eave Strut at Interior Column
By-Pass Sidewall

DRAWING NO.
SD59



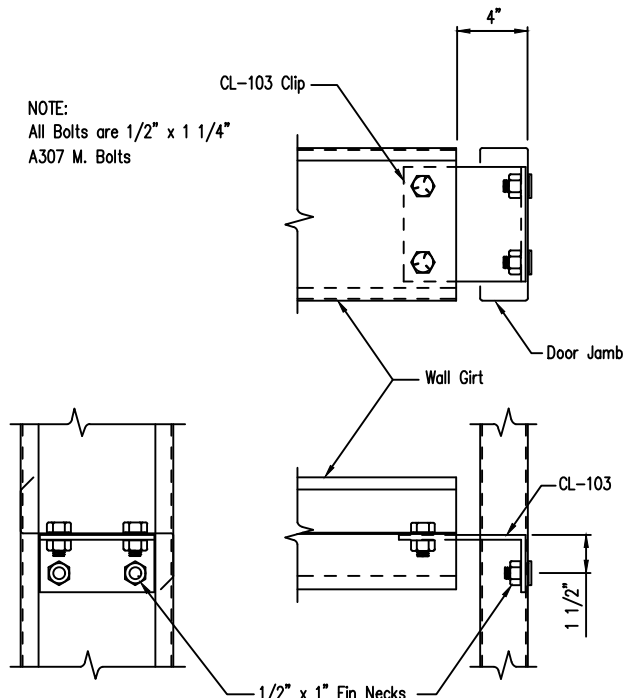
Rod Brace to Frame Detail



Cable Brace to Frame Detail

Cable or Rod Brace to Frame Connection

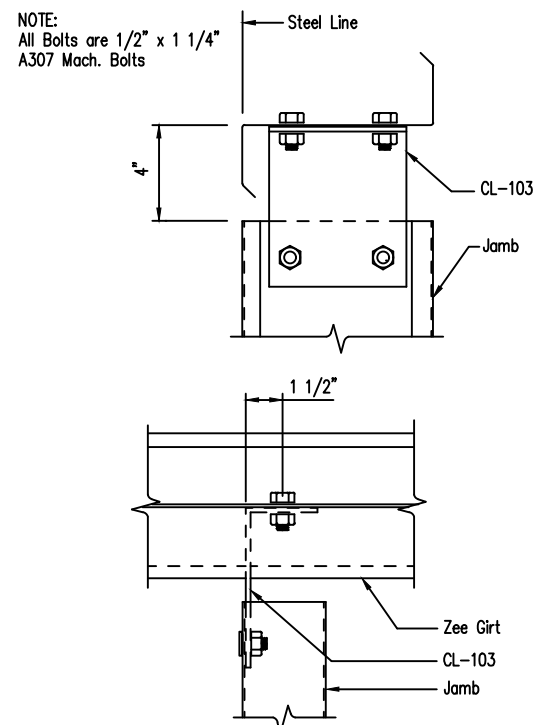
DRAWING NO.
SD66



ERECTOR NOTE: IF CLIP BOXES ON BUILDING ELEVATION VIEW(S) ARE BELOW THE INTENDED GIRT LINE, THE CLIP(S) IN REFERENCE ARE TOED DOWN. IF ABOVE THE GIRT LINE, THEN TOED UP. THE DRAWINGS ABOVE ARE TOED DOWN FOR REFERENCE.

Girt to Jamb (Bolted Clips)

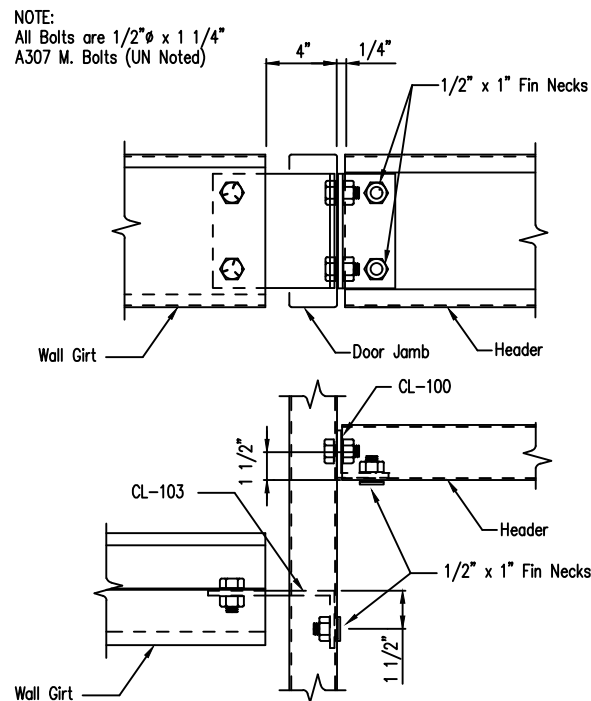
DRAWING NO.
SD87



ERECTOR NOTE: IF CLIP BOXES ON BUILDING ELEVATION VIEW(S) ARE LEFT OF THE INTENDED JAMB LINE, THE CLIP(S) IN REFERENCE ARE TOED LEFT. IF RIGHT OF THE JAMB LINE, THEN TOED RIGHT. THE DRAWINGS ABOVE ARE TOED LEFT FOR REFERENCE.

Jamb to Girt

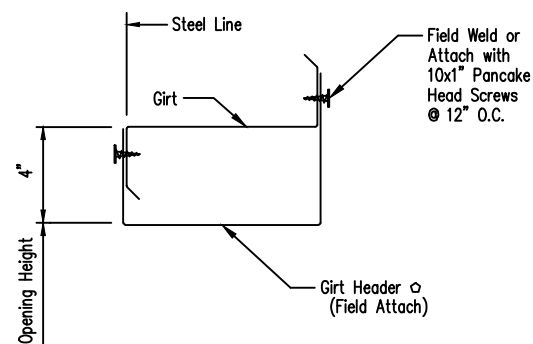
DRAWING NO.
SD93



ERECTOR NOTE: IF CLIP BOXES ON BUILDING ELEVATION VIEW(S) ARE BELOW THE INTENDED GIRT LINE, THE CLIP(S) IN REFERENCE ARE TOED DOWN. IF ABOVE THE GIRT LINE, THEN TOED UP. THE DRAWINGS ABOVE ARE TOED DOWN FOR REFERENCE.

Girt/Header to Jamb

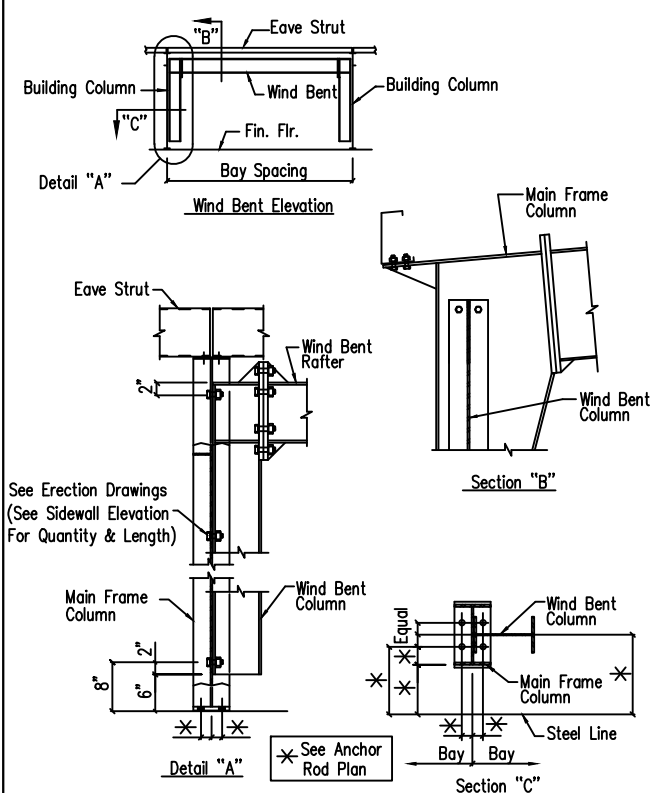
DRAWING NO.
SD95



MEMBER TABLE	
ZEE Size	Piece Mark
8"	GH-1
10"	GH-2
12"	GH-3

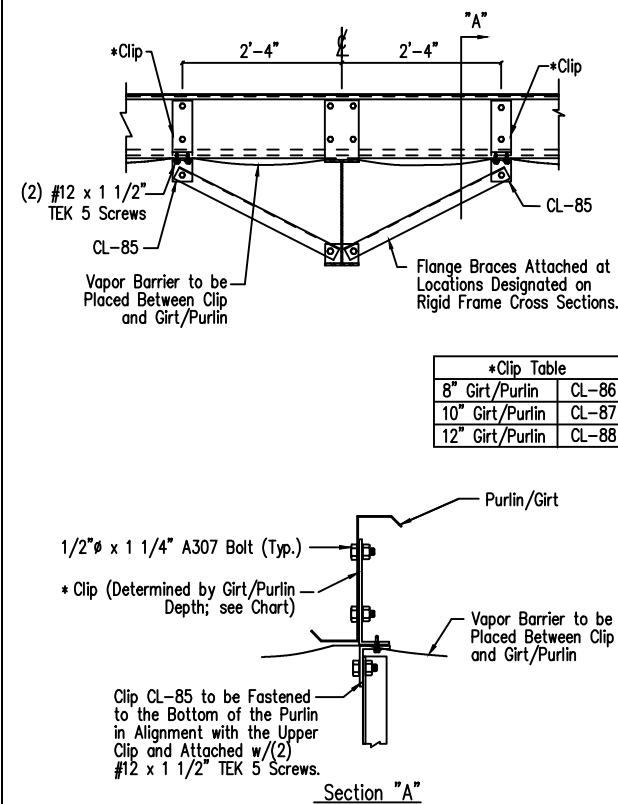
Framed Opening w/ Girt Header

DRAWING NO.
SD104



Flush Wind Bent (Floating)

DRAWING NO.
SD150



Note: All connection bolts are 1/2" x 1 1/4" machine bolts unless noted.

Interior Girt/Purlin Flange Brace Attachment for Insulation

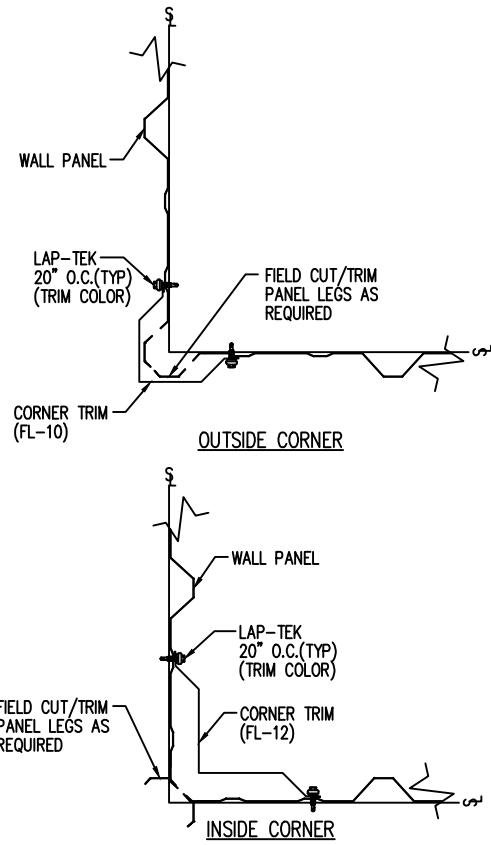
DRAWING NO.
SD161

ISSUE	DATE	CHK.	ENG.
APPROVAL	10/23/23	MEZ	RTS
PERMIT	10/23/23	AA	CAF
ERECTION	10/23/23	OGR	RTS

3033 S. PARKER RD 12 FLOOR
AURORA, CO 80014
PHONE: (800)-497-2135
WWW.GREATWESTERNBUILDINGS.COM

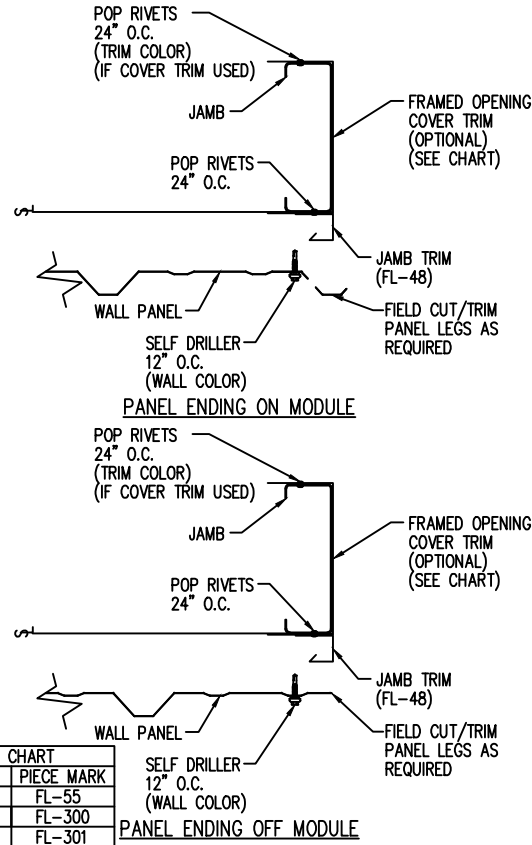
CUSTOMER NAME:	
PROJECT NAME:	
PROJECT LOCATION:	
PROJECT COUNTY:	
PROJECT END USE:	
CUSTOMER PHONE NUMBER:	
CUSTOMER EMAIL:	
SCALE:	N.T.S.
SHEET NUMBER:	14 OF 17
JOB NUMBER:	93599
SHEET TITLE:	DETAIL DRAWINGS

THIS SEAL PERTAINS ONLY TO THE MATERIALS DESIGNED AND SUPPLIED BY GREAT WESTERN BUILDINGS. THE DRAWINGS AND THE METAL BUILDING WHICH THEY REPRESENT ARE THE PRODUCT OF GREAT WESTERN BUILDINGS. THE REGISTERED PROFESSIONAL ENGINEER WHOSE SEAL AND SIGNATURE APPEARS ON THESE DRAWINGS IS EMPLOYED BY GREAT WESTERN BUILDINGS AND DOES NOT SERVE AS OR REPRESENT THE OVERALL PROJECT ENGINEER OF RECORD AND SHALL NOT BE CONSTRUED AS SUCH.



Section at Corner Detail - PBR

DRAWING NO.
TD40

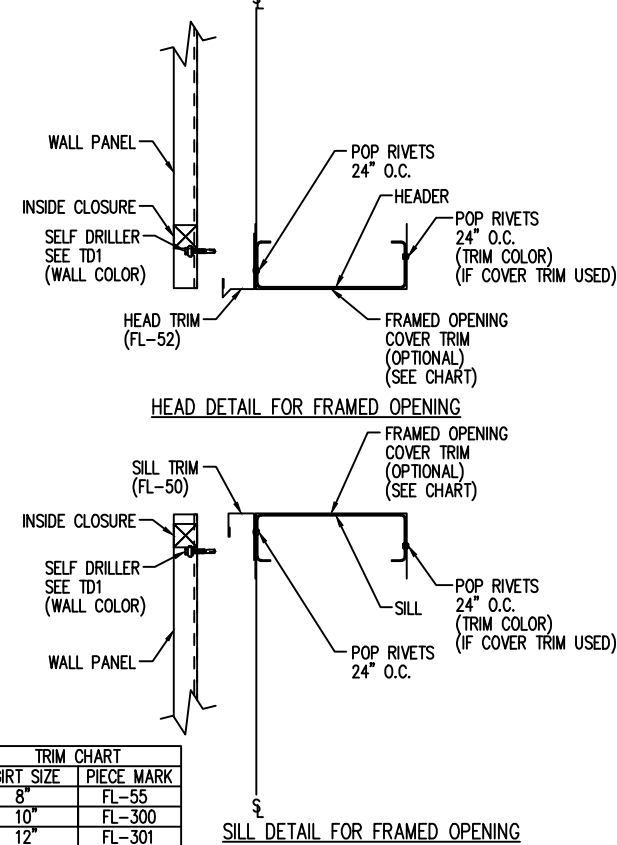


TRIM CHART	
GIRT SIZE	PIECE MARK
8"	FL-55
10"	FL-300
12"	FL-301

SELF DRILLER
12" O.C.
(WALL COLOR)
PANEL ENDING OFF MODULE

Framed Opening Jamb Detail - PBR

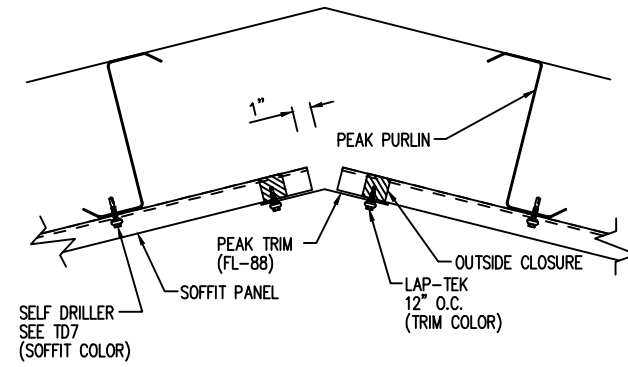
DRAWING NO.
TD51



TRIM CHART	
GIRT SIZE	PIECE MARK
8"	FL-55
10"	FL-300
12"	FL-301

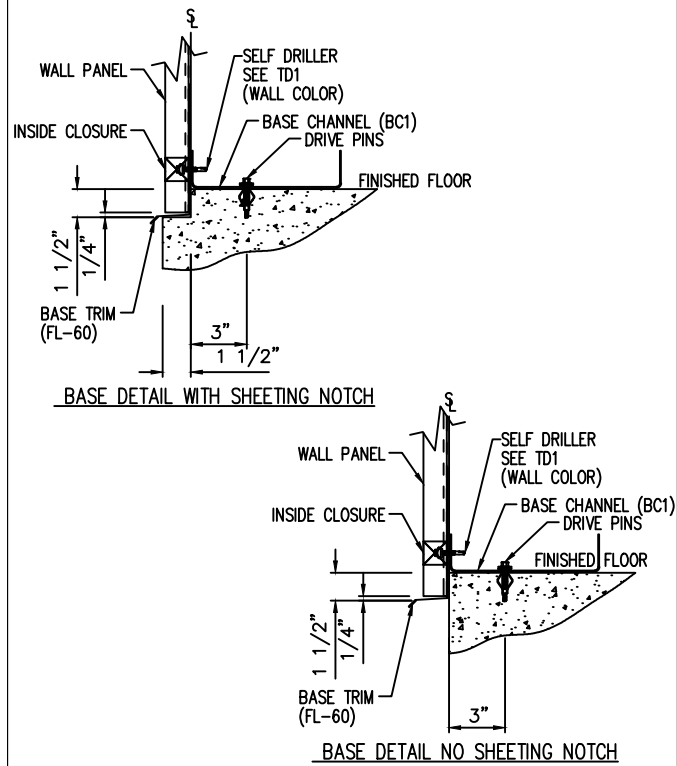
Framed Opening Head and Sill Details - PBR

DRAWING NO.
TD52



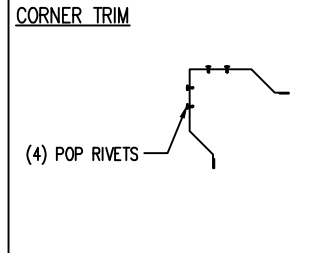
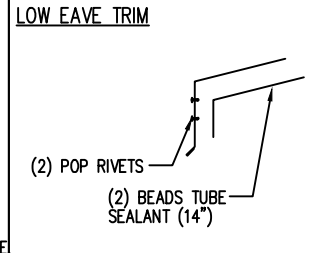
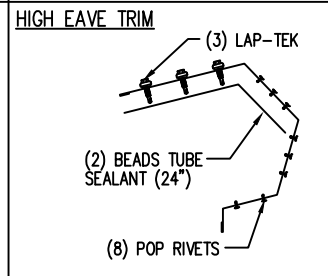
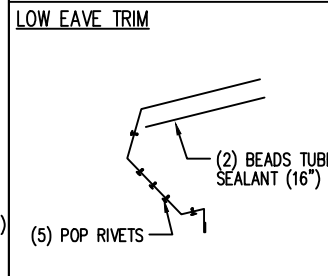
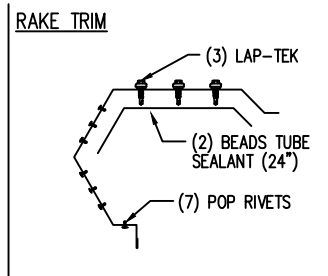
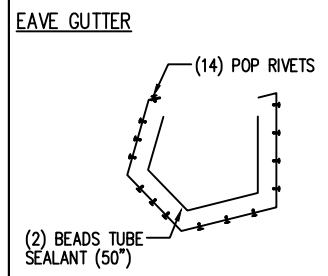
Flat Ridge Detail - PBR
With Soffit

DRAWING NO.
TD72



Base Channel w/Trim Details

DRAWING NO.
TD75



Trim Laps - PBR Sculptured

DRAWING NO.
TD85

NOTE: IF INSULATION IS REQUIRED INSTALL TRIM FIRST.
NOTE: A MINIMUM OF 1/4" SPACE SHOULD BE ALLOWED FROM THE SHEET END TO ANY SURFACE
NOTE: USE POWER DRIVEN FASTENERS SUCH AS RAMSET (OR EQUAL). 0.140# STRAIGHT SHANK W 1 1/4" PENETRATION AND MIN. ALLOWABLE SHEAR OF 220# (2'-0" O.C.) (NOT BY GWB)

NOTE: TRIM PROFILES MAY VARY; 2" MIN. LAP UNLESS NOTED
NOTE: TUBE SEALANT (NOT BY G.W.B.)

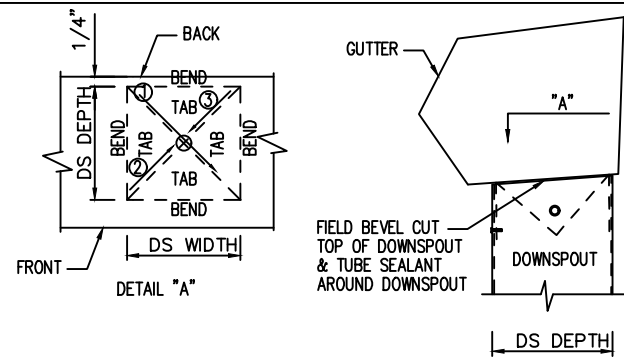
DATE	DWN.	CHK.	ENG.
10/23/23	OGR	OGR	RTS
10/23/23	AA	CAF	RTS
10/23/23	MEZ	MEZ	RTS



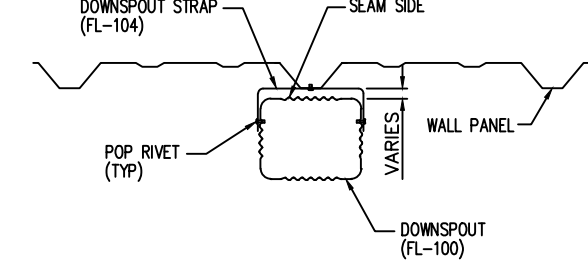
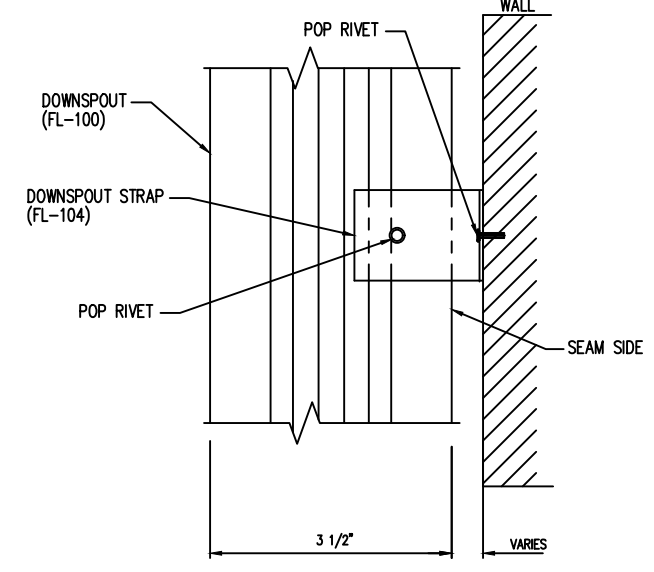
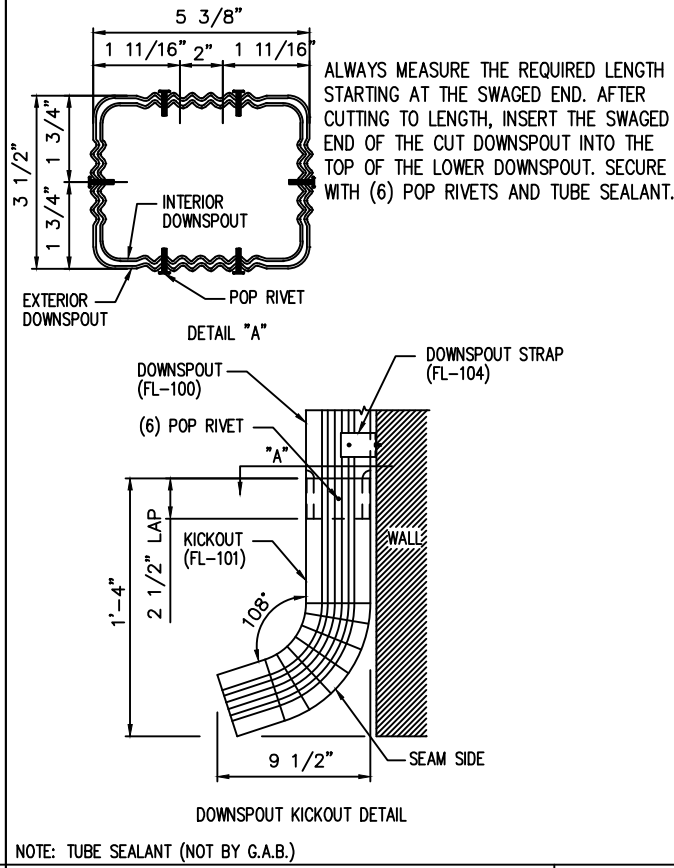
3033 S. PARKER RD 12 FLOOR
AURORA, CO 80014
PHONE: (800)-497-2135
WWW.GREATWESTERNBUILDINGS.COM

CUSTOMER NAME:	
PROJECT LOCATION:	
PROJECT COUNTY:	
PROJECT END USE:	
CUSTOMER PHONE NUMBER:	
CUSTOMER EMAIL:	
SCALE:	N.T.S.
SHEET NUMBER:	16 OF 17
JOB NUMBER:	93599
SHEET TITLE:	DETAIL DRAWINGS

THIS SEAL PERTAINS ONLY TO THE MATERIALS DESIGNED AND SUPPLIED BY GREAT WESTERN BUILDINGS. THE DRAWINGS AND THE METAL BUILDING WHICH THEY REPRESENT ARE THE PRODUCT OF GREAT WESTERN BUILDINGS. THE REGISTERED PROFESSIONAL ENGINEER WHOSE SEAL AND SIGNATURE APPEARS ON THESE DRAWINGS IS EMPLOYED BY GREAT WESTERN BUILDINGS AND DOES NOT SERVE AS OR REPRESENT THE OVERALL PROJECT ENGINEER OF RECORD AND SHALL NOT BE CONSTRUED AS SUCH.



- STEP 1 REFER TO THE BUILDING ERECTIO DRAWINGS FOR THE LOCATION AN SPACING OF THE DOWNSPOUTS.
- STEP 2 LOCATE ALL DOWNSPOUTS OVER A MAJOR PANEL RIB IF POSSIBLE.
- STEP 3 MAKE A CARBOARD TEMPLATE OF THE DOWNSPOUT SHAPE. PLACE THE TEMPLATE ON THE BOTTOM OF THE GUTTER AND TRACE THE OUTLINE. REMOVE THE TEMPLATE AND DRAW A LINE FROM CORNER TO CORNER, FORMING AN "X" PATTERN.
- STEP 4 DRILL A HOLE AT THE CENTER OF THE "X". USING TIN SNIPS, CUT ALONG THE LINES OF THE "X" ONLY. DO NOT CUT ALONG THE OUTSIDE LINES OF THE DOWNSPOUT SQUARE.
- STEP 5 BEND EACH TRIANGULAR TAB DOWN TOWARD THE GROUND, 90° TO THE BOTTOM OF THE GUTTER.
- STEP 6 POSITION THE TOP OF THE DOWNSPOUT UNDER THE GUTTER. MAKE SURE ALL FOUR GUTTER TABS ARE ON THE INSIDE OF THE DOWNSPOUT.
- STEP 7 INSTALL POP RIVETS THROUGH THE DOWNSPOUT INTO THE GUTTER TAB. ONLY THE TWO SIDES AND THE FRONT OF THE DOWNSPOUT WILL RECEIVE POP RIVETS.



D.S. Strap	Quantity
Eave Height	Quantity
10'-0"	2
12'-0"	3
14'-0"	3
16'-0"	4
20'-0"	4
25'-0"	5

DATE	DWN.	CHK.	ENG.
16/7/21	MEZ	RTS	
16/7/21	AA	CAF	
10/23/23	OGR	RTS	

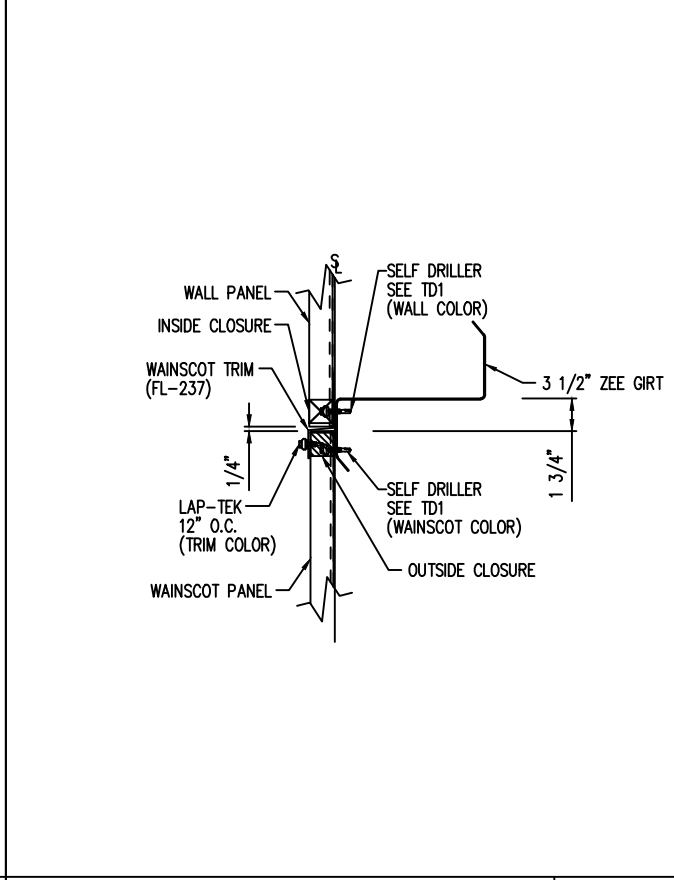
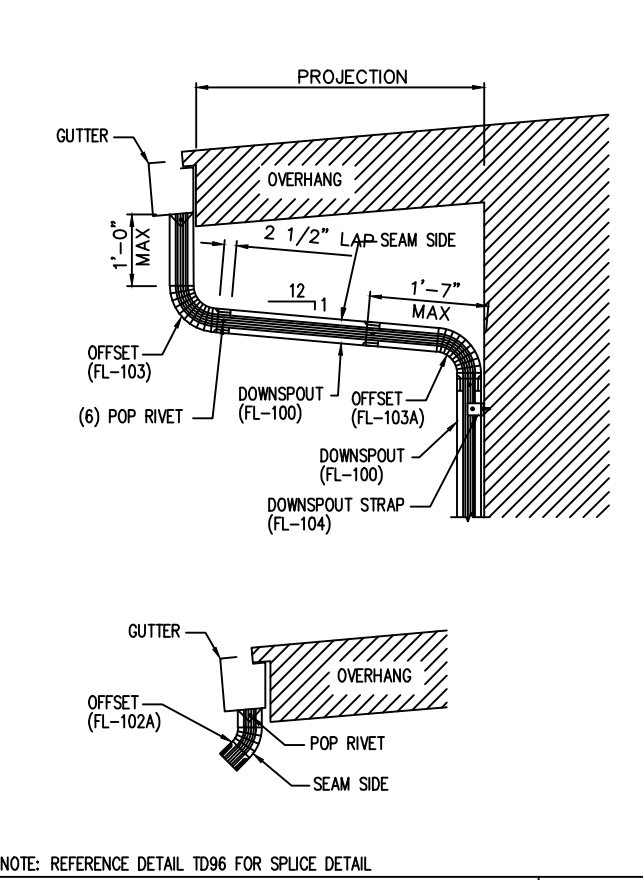
3033 S. PARKER RD 12 FLOOR
AURORA, CO 80014
PHONE: (800)-497-2135
WWW.GREATWESTERNBUILDINGS.COM

Downspout to Gutter Attachment Detail
DRAWING NO. TD95

Downspout Kickout and Splice Detail
3 1/2" x 5 3/8" Roll-Form
DRAWING NO. TD96

Downspout Strap Attachment Detail
3 1/2" x 5 3/8" Roll-Form
DRAWING NO. TD97

Downspout Strap Attachment Detail - PBR
3 1/2" x 5 3/8" Roll-Form
DRAWING NO. TD98



Eave Canopy Downspout Detail
DRAWING NO. TD99

Wainscot with Panel Break - PBR
DRAWING NO. TD199

CUSTOMER NAME:	
PROJECT NAME:	
PROJECT LOCATION:	
PROJECT COUNTY:	
PROJECT END USE:	
CUSTOMER PHONE NUMBER:	
CUSTOMER EMAIL:	
SCALE:	N.T.S.
SHEET NUMBER:	17 OF 17
JOB NUMBER:	93599
SHEET TITLE:	DETAIL DRAWINGS

THIS SEAL PERTAINS ONLY TO THE MATERIALS DESIGNED AND SUPPLIED BY GREAT WESTERN BUILDINGS. THE DRAWINGS AND THE METAL BUILDING WHICH THEY REPRESENT ARE THE PRODUCT OF GREAT WESTERN BUILDINGS. THE REGISTERED PROFESSIONAL ENGINEER WHOSE SEAL AND SIGNATURE APPEARS ON THESE DRAWINGS IS EMPLOYED BY GREAT WESTERN BUILDINGS AND DOES NOT SERVE AS OR REPRESENT THE OVERALL PROJECT ENGINEER OF RECORD AND SHALL NOT BE CONSTRUED AS SUCH.